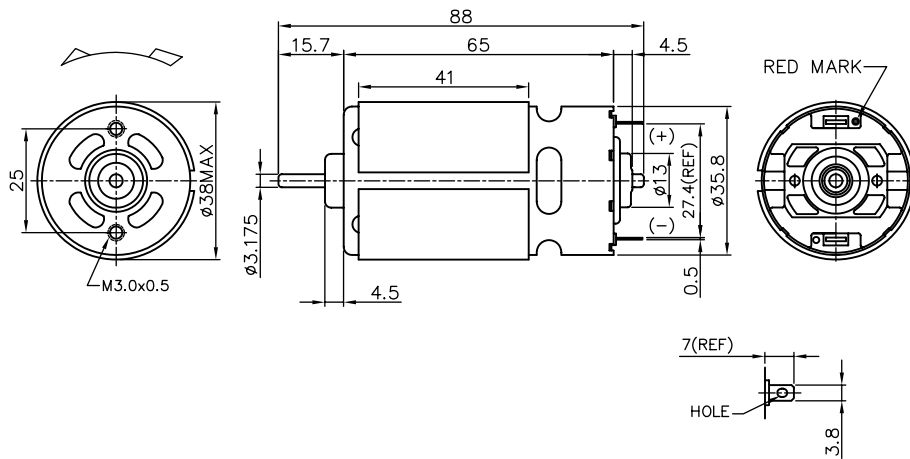


N_3SFN series Ø38 mm 19-95 W

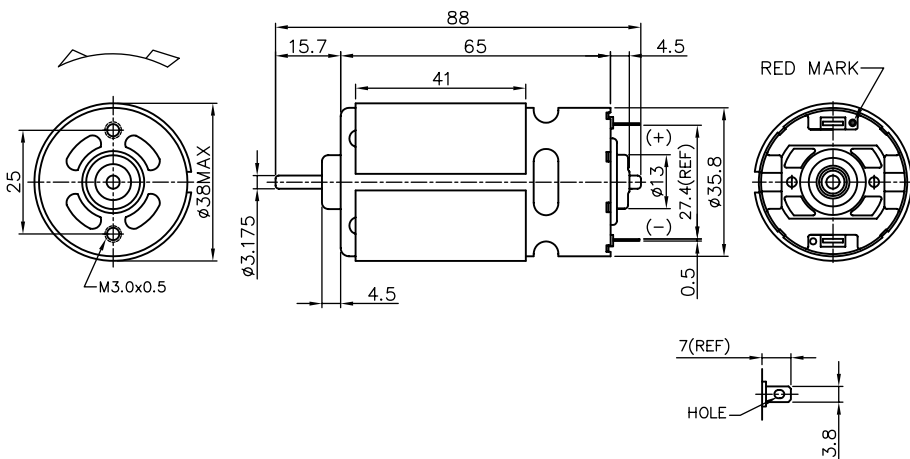


Model - - -
 Carbon brush = C V = Varistor
 Metal brush = M C = Capacitor

MOTOR DATA

Part name	ND3SFN-4570-CVC	ND3SFN-4565-CVC	NC3SFN-6035-CVC	KV3SFN-7525F-CC
Diameter (mm)	38	38	38	39
Length (mm)	65	65	65	57
Nominal voltage (V)	12	12	12	12
Nominal speed (rpm)	5400	5800	10700	15800
Nominal torque (mNm)	33.5	36.0	45.6	57.3
Nominal current A	2.2	2.6	5.6	9.8
No load speed (rpm)	6200	6700	12000	17600
No load current A	0.30	0.50	1.00	1.20
Stall torque (mNm)	297.5	287.0	446.8	527.5
Starting current (A)	17.0	17.9	51.4	82.5
Output (W)	19	22	52	95
Efficiency (%)	74	71	76	81
Operating temperature deg. C	-10..+60	-10..+60	-10..+60	-10..+60

N_5FN series Ø38 mm 46-95 W



Model - - -
 Carbon brush = C V = Varistor
 Metal brush = M C = Capacitor

MOTOR DATA

Part name	NC5FN-3550-CVC	ND5FN-16190-CVC	ND5FN-3738-CVC	NC5FN-3545-CVC
Diameter (mm)	38	38	38	38
Length (mm)	65	65	65	65
Nominal voltage (V)	12	24	24	36
Nominal speed (rpm)	3700	2300	10900	14300
Nominal torque (mNm)	30,7	11,7	44,3	40,7
Nominal current A	1,4	2,2	2,6	2,1
No load speed (rpm)	4400	2750	12300	15600
No load current A	0,25	0,04	0,40	0,30
Stall torque (mNm)	217,1	86,2	413,7	448,8
Starting current (A)	8,5	1,1	22,7	21,9
Output (W)	12,03	2,87	50,89	21,85
Efficiency (%)	72	70	77	80
Operating temperature deg. C	-10..+60	-10..+60	-10..+60	-10..+60