



# NC7SB3257

## 2:1 Multiplexer/Demultiplexer Bus Switch

### Features

- Space Saving SC70 6-Lead Surface Mount Package
- Typical 3  $\Omega$  Switch Resistance at 5.0 V  $V_{CC}$
- Minimal Propagation Delay through the Switch
- Power-Down High Impedance Control Input
- Zero Bounce in Flow through Mode
- TTL Compatible Control Input
- Over-Voltage Tolerance of Control Input to 7.0 V
- Break-before-Make Enable Circuitry

### Description

The NC7SB3257 is a high performance, 2:1 NMOS passgate multiplexer/demultiplexer. The device is fabricated with advanced sub-micron CMOS technology to achieve high speed enable and disable times and low On Resistance. The device is specified to operate over the 4.0 to 5.5 V  $V_{CC}$  operating range.

The control input tolerates voltages up to 5.5 V independent of the  $V_{CC}$  operating range.

### Ordering Information

Part Number	Top Mark	Package	Packing Method
NC7SB3257P6X	B7B	6-Lead SC70, EIAJ SC88, 1.25 mm Wide	3000 Units on Tape & Reel

## Logic Symbol

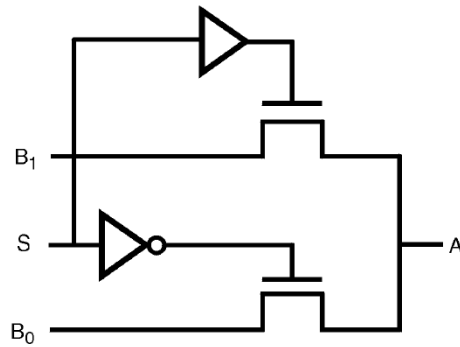


Figure 1. Logic Symbol

## Pin Configurations

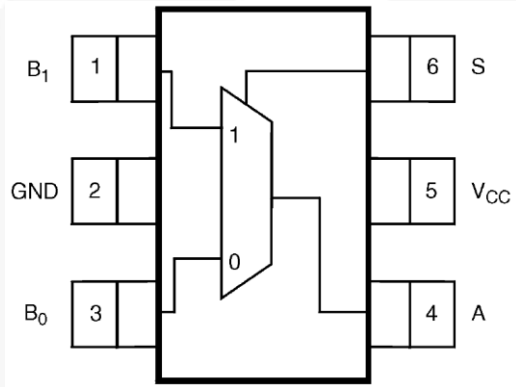


Figure 2. SC70 (Top View)

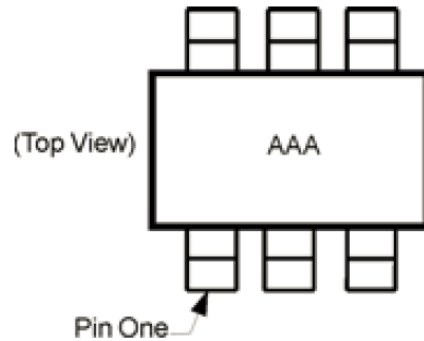


Figure 3. Pin One Orientation Diagram<sup>(1, 2)</sup>

### Notes:

1. Orientation of Top Mark determines Pin One location. Read the top product code mark left to right, Pin One is the lower left pin.
2. AAA - Product Code Top Mark - see ordering code.

## Pin Definitions

Pin #	Name	Description
1	B <sub>1</sub>	Data Ports
2	GND	Ground
3	B <sub>0</sub>	Data Ports
4	A	Data Ports
6	V <sub>CC</sub>	Supply Voltage
5	S	Control Input

## Function Table

Inputs	Functions
L	B <sub>0</sub> Connected to A
H	B <sub>1</sub> Connected to A

H = HIGH Logic Level.

L = LOW Logic Level.

## Absolute Maximum Ratings

Stresses exceeding the absolute maximum ratings may damage the device. The device may not function or be operable above the recommended operating conditions and stressing the parts to these levels is not recommended. In addition, extended exposure to stresses above the recommended operating conditions may affect device reliability. The absolute maximum ratings are stress ratings only.

Symbol	Parameter	Min.	Max.	Unit
$V_{CC}$	Supply Voltage	-0.5	7.0	V
$V_S$	DC Switch Voltage	-0.5	7.0	V
$V_{IN}$	DC Input Voltage <sup>(3)</sup>	-0.5	7.0	V
$I_{IK}$	DC Input Diode Current		-50	mA
	$V_{IN} < 0\text{ V}$			
$I_{OUT}$	DC Output Current		128	mA
$I_{CC}$ OR $I_{GND}$	DC $V_{CC}$ or Ground Current		±100	mA
$T_{STG}$	Storage Temperature Range	-65	+150	°C
$T_J$	Junction Lead Temperature under Bias		+150	°C
$T_L$	Lead Temperature (Soldering, 10 Seconds)		+260	°C
$P_D$	Power Dissipation at +85°C		180	mW

**Note:**

- The input and output negative voltage ratings may be exceeded if the input and output diode current ratings are observed.

## Recommended Operating Conditions<sup>(4)</sup>

The Recommended Operating Conditions table defines the conditions for actual device operation. Recommended operating conditions are specified to ensure optimal performance to the datasheet specifications. Fairchild does not recommend exceeding them or designing to Absolute Maximum Ratings.

Symbol	Parameter	Conditions	Min.	Max.	Unit
$V_{CC}$	Supply Voltage Operating		4.0	5.5	V
$V_{IN}$	Control Input Voltage		0	$V_{CC}$	V
	Switch Input Voltage		0	$V_{CC}$	V
$V_{OUT}$	Output Voltage		0	$V_{CC}$	V
$T_A$	Operating Temperature		-40	+85	°C
$t_r, t_f$	Input Rise and Fall Times	Control Input $V_{CC} = 4.0\text{ V to }5.5\text{ V}$	0	5	ns/V
$\theta_{JA}$	Thermal Resistance			350	°C/W

**Note:**

- Control input must be held HIGH or LOW, it must not float.

## DC Electrical Characteristics

Symbol	Parameter	Conditions	V <sub>CC</sub>	T <sub>A</sub> =-40 to +85°C			Unit
				Min.	Typ.	Max.	
V <sub>IK</sub>	Clamp Diode Voltage	I <sub>IN</sub> = -18 mA	4.5			-1.2	V
V <sub>IH</sub>	HIGH Level Input Voltage		4.5 to 5.5	2.0			V
V <sub>IL</sub>	LOW Level Input Voltage		4.5 to 5.5			0.8	V
I <sub>IN</sub>	Input Leakage Current	0 ≤ V <sub>IN</sub> ≤ 5.5 V	5.5			±1.0	μA
I <sub>OFF</sub>	OFF State Leakage Current	0 ≤ A, B ≤ V <sub>CC</sub>	5.5			±1.0	μA
R <sub>ON</sub>	Switch On Resistance <sup>(5)</sup>	V <sub>IN</sub> = 0 V, I <sub>IN</sub> = 64 mA	4.5		3.0	7.0	Ω
		V <sub>IN</sub> = 0 V, I <sub>IN</sub> = 30 mA	4.5		3.0	7.0	
		V <sub>IN</sub> = 2.4 V, I <sub>IN</sub> = 15 mA	4.5		6.0	15.0	
		V <sub>IN</sub> = 2.4 V, I <sub>IN</sub> = 15 mA	4.0		10.0	20.0	
I <sub>CC</sub>	Quiescent Supply Current	V <sub>IN</sub> = V <sub>CC</sub> or GND I <sub>OUT</sub> = 0	5.5			10.0	μA
ΔI <sub>CC</sub>	Increase in I <sub>CC</sub> per Input <sup>(6)</sup>	V <sub>IN</sub> = 3.4 V, I <sub>O</sub> = 0 Control Input Only	5.5		0.9	2.5	mA

### Notes:

- Measured by the voltage drop between A and B pins at the indicated current through the switch. On Resistance is determined by the lower of the voltages on the two (A or B Ports).
- Per TTL driven Input (V<sub>IN</sub> = 3.4 V, Control input only). A and B pins do not contribute to I<sub>CC</sub>.

## AC Electrical Characteristics

Symbol	Parameter	V <sub>CC</sub> (V)	Conditions	T <sub>A</sub> =-40°C to +85°C, C <sub>L</sub> = 50 pF, R <sub>U</sub> =R <sub>D</sub> = 500 Ω			Unit
				Min.	Typ.	Max.	
t <sub>PHL</sub> , t <sub>PLH</sub>	Propagation Delay Bus-to-Bus <sup>(7)</sup>	4.0-5.5	V <sub>I</sub> = OPEN			0.25	ns
t <sub>PZL</sub> , t <sub>PZH</sub>	Output Enable Time	4.0-5.5	V <sub>I</sub> = 7 V for t <sub>PZL</sub>	1.8		6.5	ns
		4.0	V <sub>I</sub> = 0 V for t <sub>PZH</sub>	1.8		7.3	
t <sub>PLZ</sub> , t <sub>PHZ</sub>	Output Disable Time	4.5-5.5	V <sub>I</sub> = 7 V for t <sub>PLZ</sub>	0.8		4.7	ns
		4.0	V <sub>I</sub> = 0 V for t <sub>PHZ</sub>	0.8		5.3	
t <sub>B-M</sub>	Break-before-Make Time <sup>(8)</sup>	4.5-5.5		0.5			ns
		4.0		0.5			

### Notes:

- This parameter is guaranteed by design but not tested. The bus switch contributes no propagation delay other than the RC delay of the On Resistance of the switch and the 50 pF load capacitance, when driven by an ideal voltage source (zero output impedance).
- Guaranteed by design.

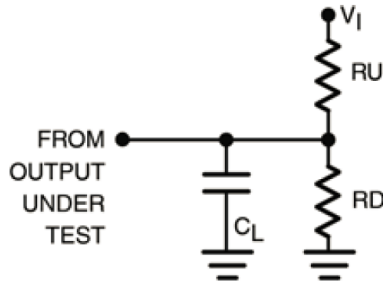
## Capacitance<sup>(9)</sup>

Symbol	Parameter	Conditions	Typ.	Unit
C <sub>IN</sub>	Control Pin Input Capacitance	V <sub>CC</sub> = 0.0 V	2.3	pF
C <sub>IO-B</sub>	B Port OFF Capacitance	V <sub>CC</sub> = 5.0 V	5.7	pF
C <sub>IO-A</sub>	A Port ON Capacitance	V <sub>CC</sub> = 5.0 V	16.0	pF

### Note:

- Capacitance is characterized but not tested.

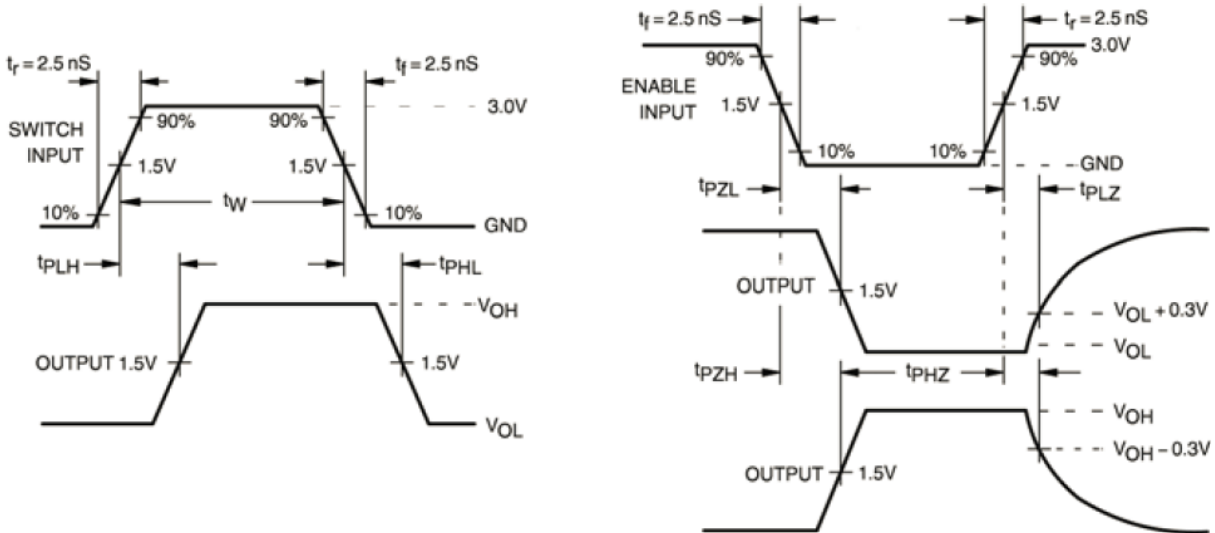
### AC Loading and Waveforms



**Note:**

Input Driven by 50 Ω source terminated in 50 Ω.  
 $C_L$  includes load and stray capacitance.  
 Input PRR=10 MHz;  $t_w=500$  ns.

Figure 4. AC Test Circuit



**Note:**

Input = AC Waveform;  
 PRR = Variable; Duty Cycle = 50%

Figure 5. AC Waveforms

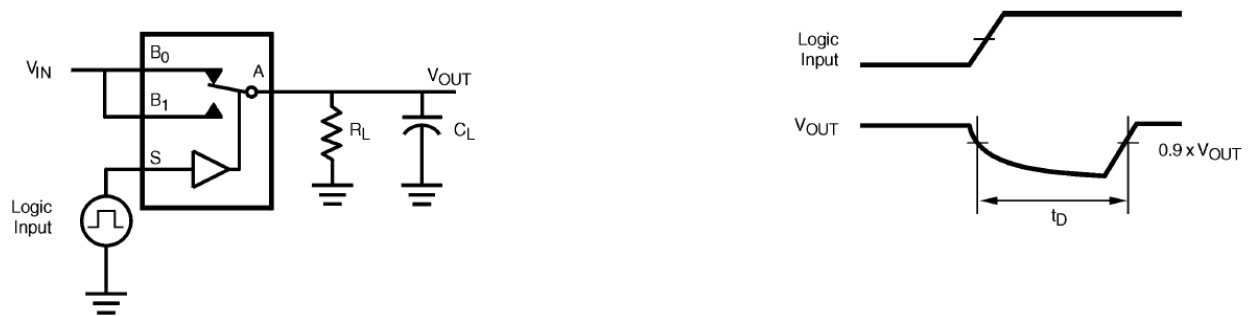


Figure 6. Break-Before-Make Interval Timing

ON Semiconductor and  are trademarks of Semiconductor Components Industries, LLC dba ON Semiconductor or its subsidiaries in the United States and/or other countries. ON Semiconductor owns the rights to a number of patents, trademarks, copyrights, trade secrets, and other intellectual property. A listing of ON Semiconductor's product/patent coverage may be accessed at [www.onsemi.com/site/pdf/Patent-Marking.pdf](http://www.onsemi.com/site/pdf/Patent-Marking.pdf). ON Semiconductor reserves the right to make changes without further notice to any products herein. ON Semiconductor makes no warranty, representation or guarantee regarding the suitability of its products for any particular purpose, nor does ON Semiconductor assume any liability arising out of the application or use of any product or circuit, and specifically disclaims any and all liability, including without limitation special, consequential or incidental damages. Buyer is responsible for its products and applications using ON Semiconductor products, including compliance with all laws, regulations and safety requirements or standards, regardless of any support or applications information provided by ON Semiconductor. "Typical" parameters which may be provided in ON Semiconductor data sheets and/or specifications can and do vary in different applications and actual performance may vary over time. All operating parameters, including "Typicals" must be validated for each customer application by customer's technical experts. ON Semiconductor does not convey any license under its patent rights nor the rights of others. ON Semiconductor products are not designed, intended, or authorized for use as a critical component in life support systems or any FDA Class 3 medical devices or medical devices with a same or similar classification in a foreign jurisdiction or any devices intended for implantation in the human body. Should Buyer purchase or use ON Semiconductor products for any such unintended or unauthorized application, Buyer shall indemnify and hold ON Semiconductor and its officers, employees, subsidiaries, affiliates, and distributors harmless against all claims, costs, damages, and expenses, and reasonable attorney fees arising out of, directly or indirectly, any claim of personal injury or death associated with such unintended or unauthorized use, even if such claim alleges that ON Semiconductor was negligent regarding the design or manufacture of the part. ON Semiconductor is an Equal Opportunity/Affirmative Action Employer. This literature is subject to all applicable copyright laws and is not for resale in any manner.

## PUBLICATION ORDERING INFORMATION

### LITERATURE FULFILLMENT:

Literature Distribution Center for ON Semiconductor  
19521 E. 32nd Pkwy, Aurora, Colorado 80011 USA  
**Phone:** 303-675-2175 or 800-344-3860 Toll Free USA/Canada  
**Fax:** 303-675-2176 or 800-344-3867 Toll Free USA/Canada  
**Email:** [orderlit@onsemi.com](mailto:orderlit@onsemi.com)

**N. American Technical Support:** 800-282-9855 Toll Free  
USA/Canada  
**Europe, Middle East and Africa Technical Support:**  
Phone: 421 33 790 2910  
**Japan Customer Focus Center**  
Phone: 81-3-5817-1050

**ON Semiconductor Website:** [www.onsemi.com](http://www.onsemi.com)  
**Order Literature:** <http://www.onsemi.com/orderlit>  
For additional information, please contact your local  
Sales Representative