

Low-Voltage SPDT Analog Switch or 2:1 Multiplexer/ De-multiplexer Bus Switch

NC7SBU3157, FSAU3157

General Description

The NC7SBU3157 / FSAU3157 is a high-performance, single-pole / double-throw (SPDT) analog switch or 2:1 multiplexer / de-multiplexer bus switch.

The device is fabricated with advanced sub-micron CMOS technology to achieve high-speed enable and disable times and low on resistance. The break-before-make select circuitry prevents disruption of signals on the B port due to both switches temporarily being enabled during select pin switching. The device is specified to operate over the 1.65 to 5.5 V V_{CC} operating range. The control input tolerates voltages up to 5.5V, independent of the V_{CC} operating range.

ON Semiconductor integrated Undershoot Hardened Circuit senses undershoot at the I/Os, and responds by preventing voltage differentials from developing and turning the switch on.

Features

- Analog and Digital Applications
- Space-saving, SC70 6-lead, Surface-mount Package
- Low On Resistance: $<10 \Omega$ on typical at 3.3 V V_{CC}
- Broad V_{CC} Operating Range: 1.65 V to 5.5 V
- Rail-to-rail Signal Handling
- Power-down, High-impedance Control Input
- Over-voltage Tolerance of Control Input to 7.0 V
- Break-before-make Enable Circuitry
- 250 MHz, 3 dB Bandwidth
- This Device is Pb-Free and is RoHS Compliant

FUNCTION TABLE

Input (S)	Function
Logic Level Low	B_0 Connected to A
Logic Level High	B_1 Connected to A

PIN DESCRIPTIONS

Pin Names	Description
A, B_0 , B_1	Data Ports
S	Control Input



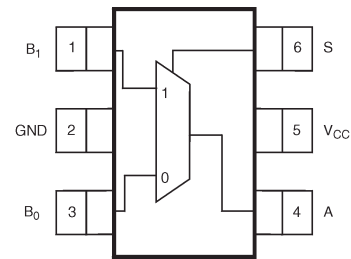
ON Semiconductor®

www.onsemi.com



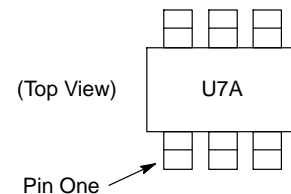
SC-88 (SC-70 6 Lead), 1.25x2
CASE 419AD

CONNECTION DIAGRAM



Pin Assignment SC-70

MARKING DIAGRAM



NOTE:

Orientation of top mark determines pin one location. Read the top mark left to right and pin one is the lower left pin.

Pin One Orientation

ORDERING INFORMATION

See detailed ordering and shipping information on page 2 of this data sheet.

NC7SBU3157, FSAU3157

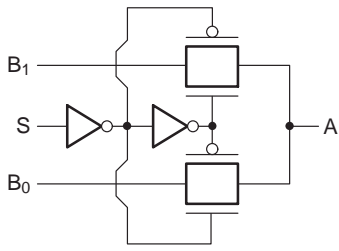


Figure 1. Logic Symbol

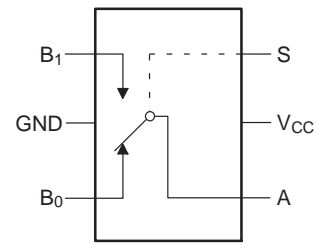


Figure 2. Analog Symbol

ORDERING INFORMATION

Part Number	Top Mark	Operating Temperature Range	Package	Shipping†
NC7SBU3157P6X	U7A	-40 to 85°C	SC70 (Pb-Free)	3000 units / Tape & Reel
FSAU3157P6X	U7A	-40 to 85°C	SC70 (Pb-Free)	3000 units / Tape & Reel

†For information on tape and reel specifications, including part orientation and tape sizes, please refer to our Tape and Reel Packaging Specifications Brochure, BRD8011/D

ABSOLUTE MAXIMUM RATINGS

Symbol	Parameter	Min	Max	Units
V_{CC}	Supply Voltage	-0.5	+7.0	V
V_S	DC Switch Voltage (Note 1)	-0.5	$V_{CC} + 0.5$	V
V_{IN}	DC Input Voltage (Note 1)	-0.5	+7.0	V
I_{IK}	DC Input Diode Current at $V_{IN} < 0$ V		-50	mA
I_{OUT}	DC Output Current		128	mA
I_{CC}/I_{GND}	DC V_{CC} or Ground Current		± 100	mA
T_{STG}	Storage Temperature Range	-65	+150	°C
T_J	Junction Temperature Under Bias		+150	°C
T_L	Junction Lead Temperature (Soldering, 10 seconds)		+260	°C
P_D	Power Dissipation at +85°C		180	mW

Stresses exceeding those listed in the Maximum Ratings table may damage the device. If any of these limits are exceeded, device functionality should not be assumed, damage may occur and reliability may be affected.

1. The input and output negative voltage ratings may be exceeded if the input and output diode current ratings are observed.

RECOMMENDED OPERATING CONDITIONS

Symbol	Parameter	Min	Max	Units	
V_{CC}	Supply Voltage Operating	1.65	5.50	V	
V_{IN}	Control Input Voltage (Note 2)	0	V_{CC}	V	
V_{IN}	Switch Input Voltage (Note 2)	0	V_{CC}	V	
V_{OUT}	Output Voltage (Note 2)	0	V_{CC}	V	
T_A	Operating Temperature	-40	+85	°C	
t_r, t_f	Input Rise and Fall Time	Control Input $V_{CC} = 2.3$ V – 3.6 V	0	10	ns/V
		Control Input $V_{CC} = 4.5$ V – 5.5 V	0	5	ns/V
θ_{JA}	Thermal Resistance		350	°C/W	

Functional operation above the stresses listed in the Recommended Operating Ranges is not implied. Extended exposure to stresses beyond the Recommended Operating Ranges limits may affect device reliability.

2. Control input must be held HIGH or LOW; it must not float.

NC7SBU3157, FSAU3157

DC ELECTRICAL CHARACTERISTICS

Symbol	Parameter	Conditions	V _{CC} (V)	T _A = +25°C			T _A = -40°C to +85°C		Units
				Min.	Typ.	Max.	Min.	Max.	
V _{IH}	High Level Input Voltage		1.65 to 1.95	0.75 V _{CC}			0.75 V _{CC}		V
			2.3 to 5.5	0.7 V _{CC}			0.7 V _{CC}		
V _{IL}	Low Level Input Voltage		1.65 to 1.95			0.25 V _{CC}		0.25 V _{CC}	V
			2.3 to 5.5			0.3 V _{CC}		0.3 V _{CC}	
I _{IN}	Input Leakage Current	0 ≤ V _{IN} ≤ 5.5V	0 to 5.5		±0.05	±0.1		±1	μA
I _{OFF}	Off State Leakage Current	0 ≤ A, B ≤ V _{CC}	1.65 to 5.5		±0.05	±0.1		±1	μA
R _{ON}	Switch On Resistance (Note 3)	V _{IN} =0V, I _O =30mA	4.5		3.0	15.0		15.0	Ω
		V _{IN} =2.4V, I _O =-30mA			5.0	15.0		15.0	
		V _{IN} =4.5V, I _O =-30mA			7.0	15.0		15.0	
		V _{IN} =0V, I _O =24mA	3.0		4.0	20.0		20.0	
		V _{IN} =3V, I _O =-24mA			10.0	20.0		20.0	
		V _{IN} =0V, I _O =8mA	2.3		5.0	30.0		30.0	
		V _{IN} =2.3V, I _O =-8mA			13.0	30.0		30.0	
		V _{IN} =0V, I _O =4mA	1.65		6.5	50.0		50.0	
V _{IN} =1.65V, I _O =-4mA		17.0		50.0		50.0			
I _{CC}	Quiescent Supply Current; All Channels On or Off	V _{IN} =V _{CC} or GND I _{OUT} =0	5.5			1		10	μA
	Analog Signal Range		V _{CC}	0		V _{CC}	0	V _{CC}	V
R _{RANGE}	On Resistance Over Signal Range (Notes 3, 7)	I _A =-30mA, 0 ≤ V _{Bn} ≤ V _{CC}	4.5					25.0	Ω
		I _A =-24mA, 0 ≤ V _{Bn} ≤ V _{CC}	3.0					50.0	
		I _A =-8mA, 0 ≤ V _{Bn} ≤ V _{CC}	2.3					100	
		I _A =-4mA, 0 ≤ V _{Bn} ≤ V _{CC}	1.65					300	
ΔR _{ON}	On Resistance Match Between Channels (Notes 3, 4, 5)	I _A =-30mA, V _{Bn} =3.15	4.5		0.15				Ω
		I _A =-24mA, V _{Bn} =2.1	3.0		0.2				
		I _A =-8mA, V _{Bn} =1.6	2.3		0.5				
		I _A =-4mA, V _{Bn} =1.15	1.65		0.5				
V _{IKU}	Voltage Under-shoot	0.0mA ≤ I _{IN} ≤ -50, \overline{OE} 5.5v	5.5					-2	V
R _{flat}	On Resistance Flatness (Notes 3, 4, 6)	I _A =-30mA, 0 ≤ V _{Bn} ≤ V _{CC}	5.0		6.0				Ω
		I _A =-24mA, 0 ≤ V _{Bn} ≤ V _{CC}	3.3		12.0				
		I _A =-8mA, 0 ≤ V _{Bn} ≤ V _{CC}	2.5		28.0				
		I _A =-4mA, 0 ≤ V _{Bn} ≤ V _{CC}	1.8		125				

3. Measured by the voltage drop between A and B pins at the indicated current through the switch. On resistance is determined by the lower of the voltages on the two (A or B Ports).
4. Parameter is characterized, but not tested in production.
5. ΔR_{ON} = R_{ON} max - R_{ON} minimum measured at identical V_{CC}, temperature, and voltage levels.
6. Flatness is defined as the difference between the maximum and minimum value of on resistance over the specified range of conditions.
7. Guaranteed by design.

AC ELECTRICAL CHARACTERISTICS

Symbol	Parameter	Conditions	VCC (V)	T _A = +25°C			T _A = -40°C to +85°C		Units	Figure
				Min.	Typ.	Max.	Min.	Max.		
t _{PHL} , t _{PLH}	Propagation Delay Bus-to-Bus (Note 8)	V _I = OPEN	1.65 to 1.95						ns	Figure 5 Figure 6
			2.3 to 2.7			1.2		1.2		
			3.0 to 3.6			0.8		0.8		
			4.5 to 5.5			0.3		0.3		
t _{PZL} , t _{PZH}	Output Enable Time Turn-On Time (A to B _n)	V _I = 2 x V _{CC} for t _{PZL} V _I = 0 V for t _{PZH}	1.65 to 1.95	7.0		23.0	7.0	24.0	ns	Figure 5 Figure 6
			2.3 to 2.7	3.5		13.0	3.5	14.0		
			3.0 to 3.6	2.5		6.9	2.5	7.6		
			4.5 to 5.5	1.7		5.2	1.7	5.7		
t _{PLZ} , t _{PHZ}	Output Disable Time Turn-Off Time (A Port to B Port)	V _I = 2 x V _{CC} for t _{PLZ} V _I = 0 V for t _{PHZ}	1.65 to 1.95	3.0		12.5	3.0	13.0	ns	Figure 5 Figure 6
			2.3 to 2.7	2.0		7.0	2.0	7.5		
			3.0 to 3.6	1.5		5.0	1.5	5.3		
			4.5 to 5.5	0.8		3.5	0.8	3.8		
t _{BBM}	Break-Before-Make Time (Note 9)		1.65 to 1.95	0.5			0.5		ns	Figure 7
			2.3 to 2.7	0.5			0.5			
			3.0 to 3.6	0.5			0.5			
			4.5 to 5.5	0.5			0.5			
Q	Charge Injection (Note 9)	C _L = 0.1 nF, V _{GEN} = 0 V	5.0		7.0			pC	Figure 8	
		R _{GEN} = 0 Ω	3.3		3.0					
OIRR	Off Isolation (Note 10)	R _L = 50 Ω, f = 10 MHz	1.65 to 5.5		-57.0			dB	Figure 9	
Xtalk	Crosstalk	R _L = 50 Ω, f = 10 MHz	1.65 to 5.5		-54.0			dB	Figure 10	
BW	-3dB Bandwidth	R _L = 50 Ω	1.65 to 5.5		250			MHz	Figure 13	
THD	Total Harmonic Distortion (Note 9)	R _L = 600 Ω, 0.5 V _{PP} , f = 20 Hz to 20 KHz	5.0		.011			%		

8. This parameter is guaranteed by design but not tested. The bus switch contributes no propagation delay other than the RC delay of the on resistance of the switch and the 50pF load capacitance, when driven by an ideal voltage source (zero output impedance).

9. Guaranteed by design.

10. Off Isolation = 20 log₁₀ [V_A / V_{Bn}].

CAPACITANCE (Note 11)

Symbol	Parameter	Conditions	Typ.	Max.	Units	Figure
C _{IN}	Control Pin Input Capacitance	V _{CC} = 0 V	2.3		pF	
C _{IO-B}	B Port Off Capacitance	V _{CC} = 5.0 V	6.5		pF	Figure 11
C _{IOA-ON}	A Port Capacitance When Switch Is Enabled	V _{CC} = 5.0 V	18.5		pF	Figure 12

11. T_A = +25°C, f = 1 MHz, Capacitance is characterized, but not tested in production.

UNDERSHOOT CHARACTERISTIC (Note 12)

Symbol	Parameter	Min.	Typ.	Units	Figure
V _{OUTU}	Output Voltage During Undershoot	2.5	V _{OH} - 0.3	V	Figure 3

12. This test is intended to characterize the device's protective capabilities by maintaining output signal integrity during an input transient voltage undershoot event.

NC7SBU3157, FSAU3157

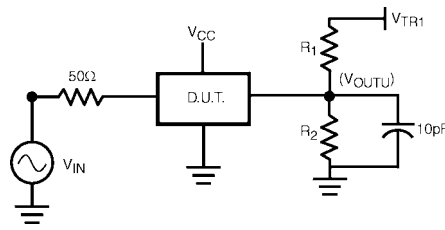


Figure 3. Output Voltage During Undershoot

DEVICE TEST CONDITIONS

Parameter	Value	Units
V_{IN}	see Figure 4	V
$R_1 = R_2$	100	K Ω
V_{TRI}	7.0	V
V_{CC}	5.5	V

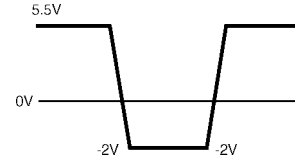
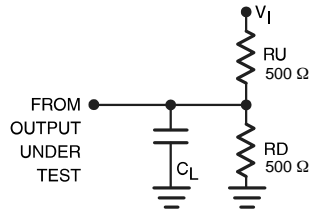


Figure 4. Transient Input Voltage Waveform

AC Loading and Waveforms



Notes:

Input driven by 50 Ω source terminated in 50 Ω .
 C_L includes load and stray capacitance, $C_L = 50$ pF
 Input PRR = 1.0 MHz, $t_W = 500$ ns

Figure 5. AC Test Circuit

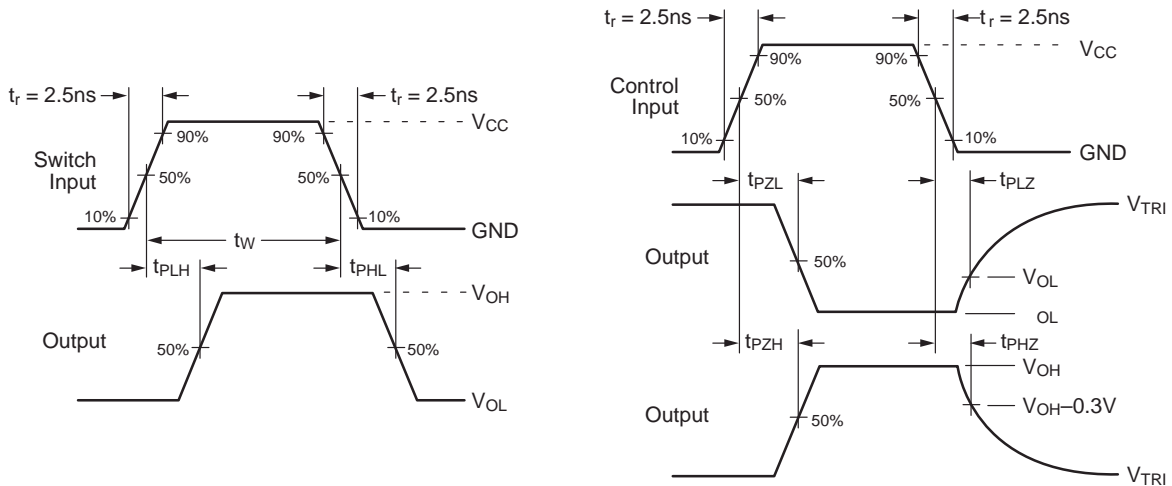


Figure 6. AC Waveforms

AC Loading and Waveforms (continued)

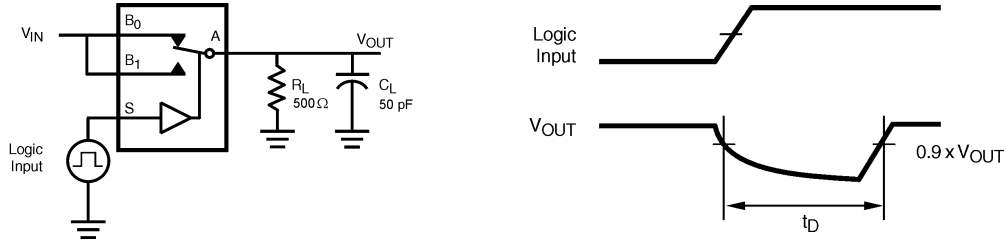


Figure 7. Break-Before-Make Interval Timing

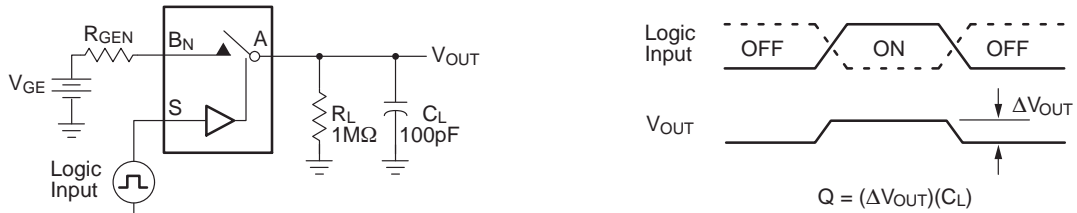


Figure 8. Charge Injection Test

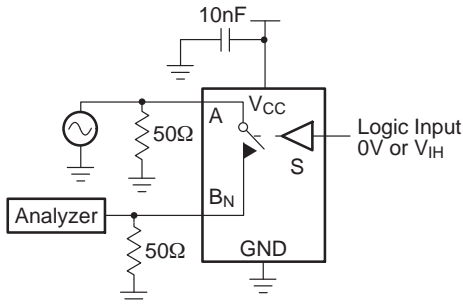


Figure 9. Off Isolation

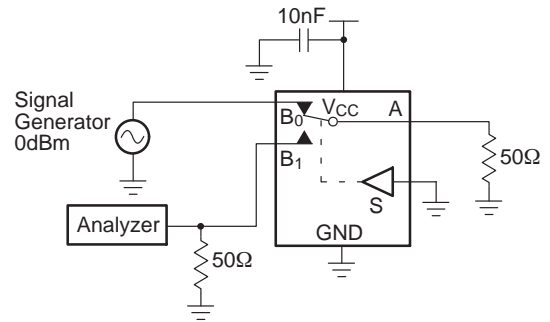


Figure 10. Crosstalk

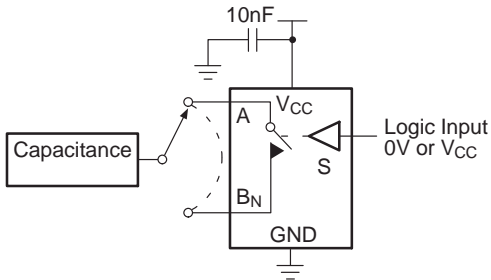


Figure 11. Channel Off Capacitance

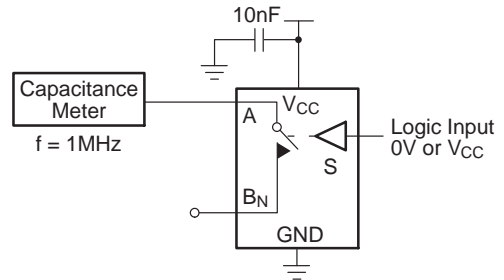


Figure 12. Channel On Capacitance

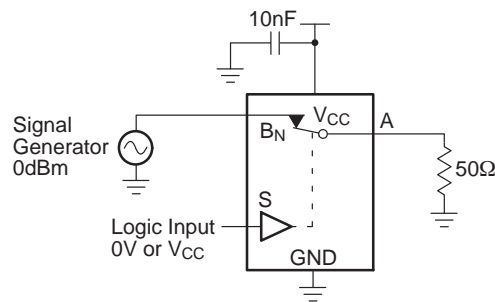
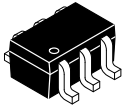


Figure 13. Bandwidth

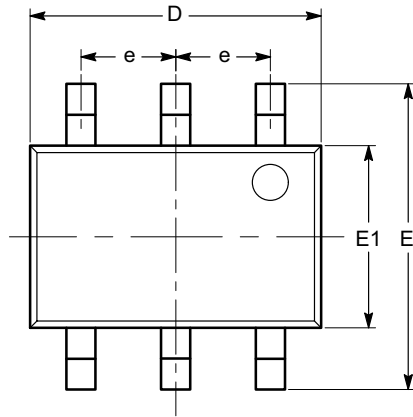
MECHANICAL CASE OUTLINE
PACKAGE DIMENSIONS



1

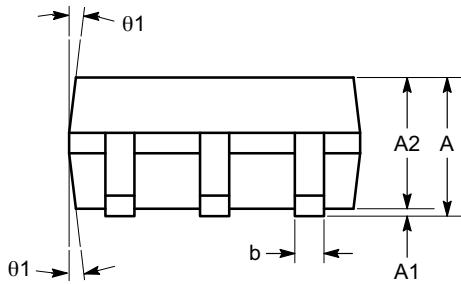
SC-88 (SC-70 6 Lead), 1.25x2
CASE 419AD
ISSUE A

DATE 07 JUL 2010

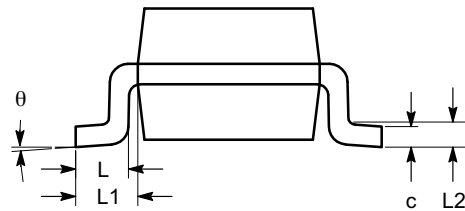


TOP VIEW

SYMBOL	MIN	NOM	MAX
A	0.80		1.10
A1	0.00		0.10
A2	0.80		1.00
b	0.15		0.30
c	0.10		0.18
D	1.80	2.00	2.20
E	1.80	2.10	2.40
E1	1.15	1.25	1.35
e	0.65 BSC		
L	0.26	0.36	0.46
L1	0.42 REF		
L2	0.15 BSC		
θ	0°		8°
θ_1	4°		10°



SIDE VIEW



END VIEW

Notes:

- (1) All dimensions are in millimeters. Angles in degrees.
- (2) Complies with JEDEC MO-203.

DOCUMENT NUMBER:	98AON34266E	Electronic versions are uncontrolled except when accessed directly from the Document Repository. Printed versions are uncontrolled except when stamped "CONTROLLED COPY" in red.
DESCRIPTION:	SC-88 (SC-70 6 LEAD), 1.25X2	PAGE 1 OF 1

onsemi and onsemi are trademarks of Semiconductor Components Industries, LLC dba onsemi or its subsidiaries in the United States and/or other countries. onsemi reserves the right to make changes without further notice to any products herein. onsemi makes no warranty, representation or guarantee regarding the suitability of its products for any particular purpose, nor does onsemi assume any liability arising out of the application or use of any product or circuit, and specifically disclaims any and all liability, including without limitation special, consequential or incidental damages. onsemi does not convey any license under its patent rights nor the rights of others.

onsemi, **Onsemi**, and other names, marks, and brands are registered and/or common law trademarks of Semiconductor Components Industries, LLC dba "**onsemi**" or its affiliates and/or subsidiaries in the United States and/or other countries. **onsemi** owns the rights to a number of patents, trademarks, copyrights, trade secrets, and other intellectual property. A listing of **onsemi**'s product/patent coverage may be accessed at www.onsemi.com/site/pdf/Patent-Marking.pdf. **onsemi** reserves the right to make changes at any time to any products or information herein, without notice. The information herein is provided "as-is" and **onsemi** makes no warranty, representation or guarantee regarding the accuracy of the information, product features, availability, functionality, or suitability of its products for any particular purpose, nor does **onsemi** assume any liability arising out of the application or use of any product or circuit, and specifically disclaims any and all liability, including without limitation special, consequential or incidental damages. Buyer is responsible for its products and applications using **onsemi** products, including compliance with all laws, regulations and safety requirements or standards, regardless of any support or applications information provided by **onsemi**. "Typical" parameters which may be provided in **onsemi** data sheets and/or specifications can and do vary in different applications and actual performance may vary over time. All operating parameters, including "Typicals" must be validated for each customer application by customer's technical experts. **onsemi** does not convey any license under any of its intellectual property rights nor the rights of others. **onsemi** products are not designed, intended, or authorized for use as a critical component in life support systems or any FDA Class 3 medical devices or medical devices with a same or similar classification in a foreign jurisdiction or any devices intended for implantation in the human body. Should Buyer purchase or use **onsemi** products for any such unintended or unauthorized application, Buyer shall indemnify and hold **onsemi** and its officers, employees, subsidiaries, affiliates, and distributors harmless against all claims, costs, damages, and expenses, and reasonable attorney fees arising out of, directly or indirectly, any claim of personal injury or death associated with such unintended or unauthorized use, even if such claim alleges that **onsemi** was negligent regarding the design or manufacture of the part. **onsemi** is an Equal Opportunity/Affirmative Action Employer. This literature is subject to all applicable copyright laws and is not for resale in any manner.

PUBLICATION ORDERING INFORMATION

LITERATURE FULFILLMENT:

Email Requests to: orderlit@onsemi.com

onsemi Website: www.onsemi.com

TECHNICAL SUPPORT

North American Technical Support:

Voice Mail: 1 800-282-9855 Toll Free USA/Canada

Phone: 011 421 33 790 2910

Europe, Middle East and Africa Technical Support:

Phone: 00421 33 790 2910

For additional information, please contact your local Sales Representative