

# NCP373

## Overvoltage Up to +30 V and Down to -30 V with Load Switch Function

NCP373 is an over-voltage and over-current protection device. From IN to VBUS, the part acts as a load switch protection, with programmable current regulation. The current protection is externally adjustable, up to 400 mA or 1300 mA, depending on selected version.

Additional voltage protection is available, from VBUS to IN. Due to built-in low  $R_{DS(on)}$  NMOS FET, the host system is protected against positive and negative voltages up to  $\pm 28$  V.

The embedded over-current and over-voltage protection allow the device to sustain extreme conditions from short circuit on USB connector, or defective WA or USB port.

Because the NCP373 using internal NMOS, the system cost and the PCB area of the application board are minimized.

NCP373 provides a negative going flag ( $\overline{FLAG}$ ) output, which alerts the system that a fault has occurred.

### Features

- Adjustable Over-current
- Over-voltage Protection Up to 28 V and Down to -28 V
- Logic pins  $\overline{EN}$  and  $\overline{DIR}$
- Thermal Shutdown
- On-chip low  $R_{DS(on)}$  NMOS Transistors
- Over-voltage Lockout (OVLO)
- Soft-start
- Real Shutdown Mode
- Alert  $\overline{FLAG}$  Output
- Compliance to IEC61000-4-2 (Level 4)
  - 8 kV (Contact)
  - 15 kV (Air)
- ESD Ratings: Machine Model = B  
Human Body Model = 2
- 12 Leads LLGA 3X3 mm Package
- These are Pb-Free Devices

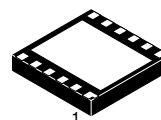
### Typical Applications

- USB ports
- Tablets
- Set Top Box
- Cell Phones



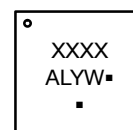
ON Semiconductor®

<http://onsemi.com>



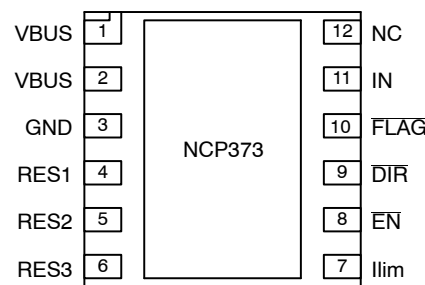
12 PIN LLGA  
MU SUFFIX  
CASE 513AK

### MARKING DIAGRAM



- A = Assembly Location
- L = Wafer Lot
- Y = Year
- W = Work Week
- = Pb-Free Package

(Note: Microdot may be in either location)



(Top View)

### ORDERING INFORMATION

See detailed ordering, marking and shipping information in the package dimensions section on page 9 of this data sheet.

# NCP373

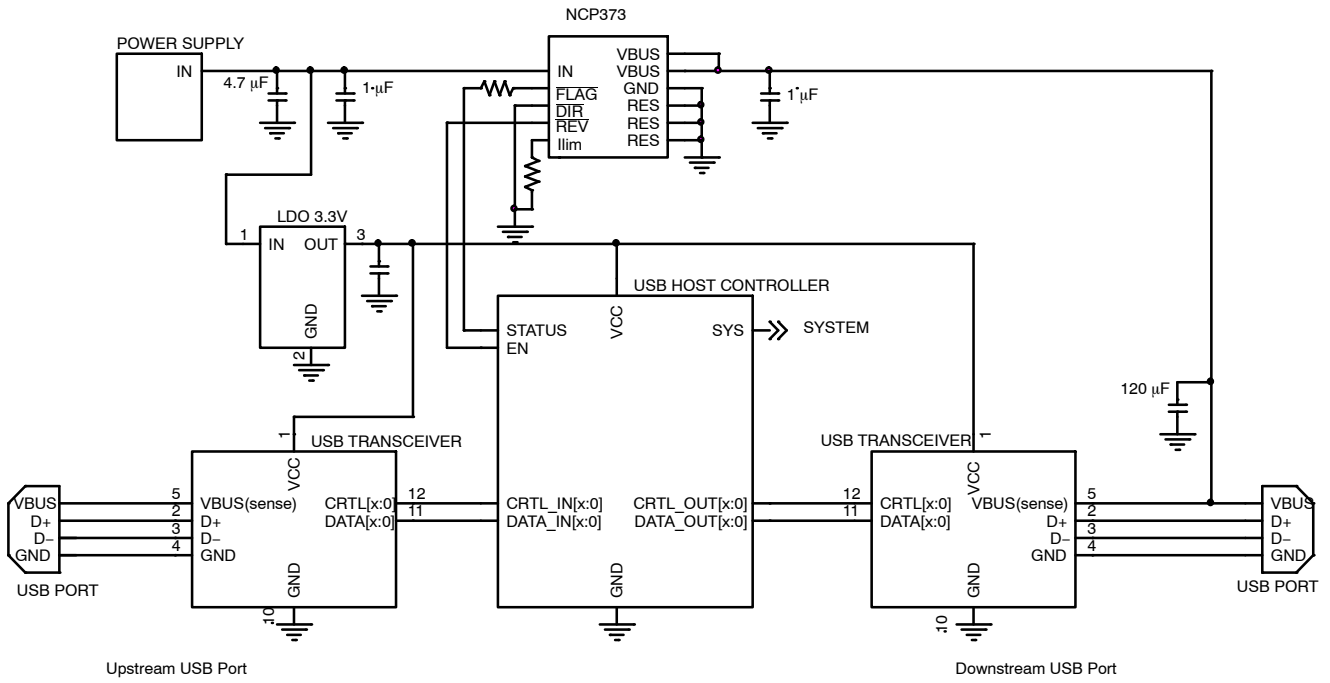


Figure 1. Typical Host Application Circuit

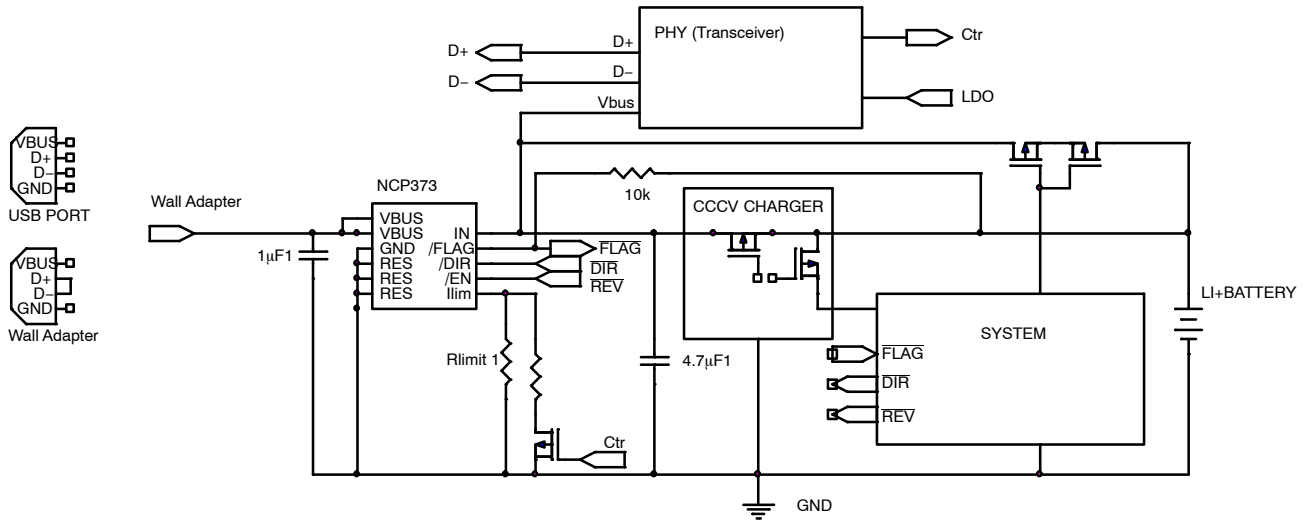


Figure 2. Typical Portable Application Circuit

# NCP373

## FUNCTIONAL BLOCK DIAGRAM

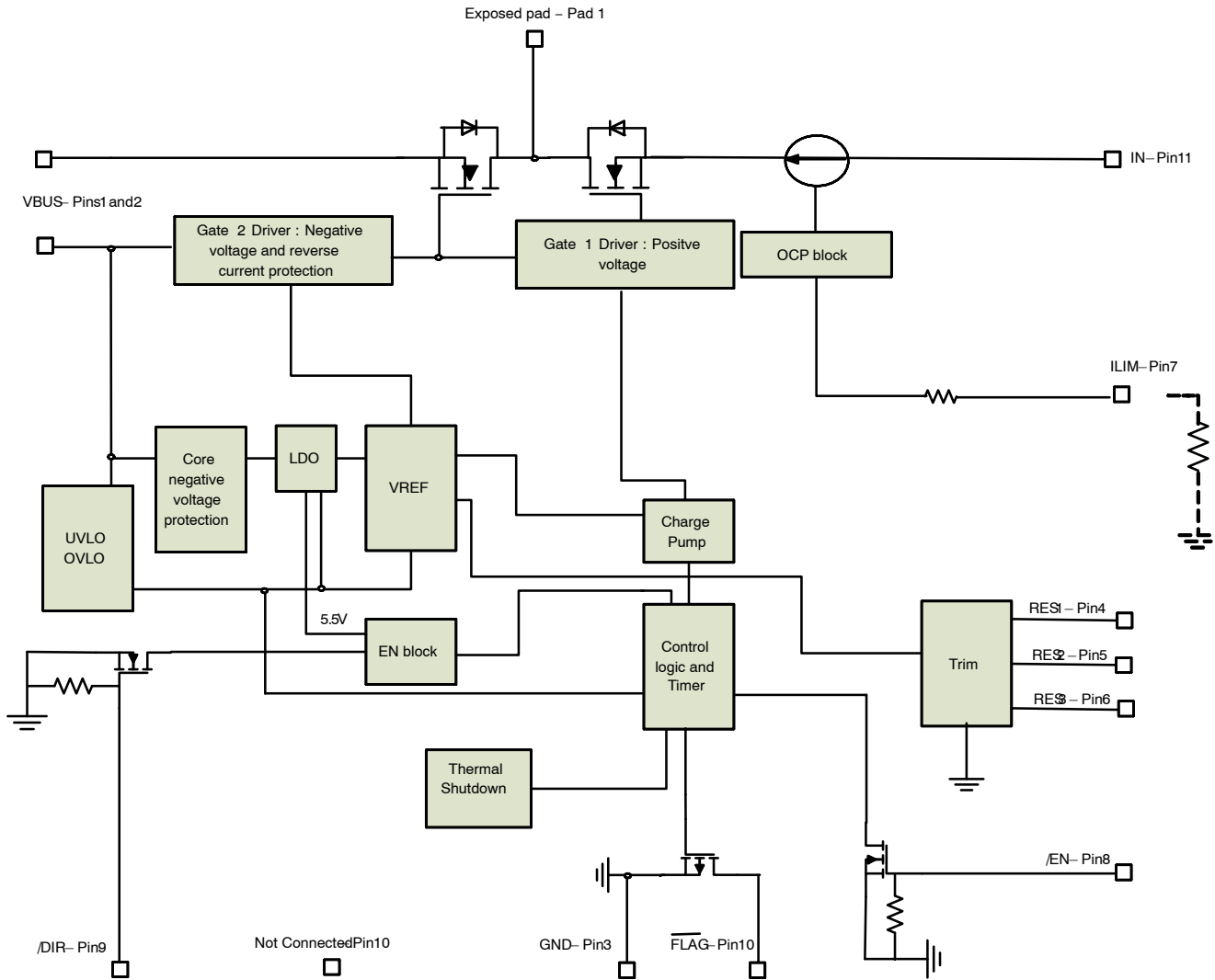


Figure 3. Functional Block Diagram

### PIN FUNCTION DESCRIPTION

Pin	Pin Name	Type	Description
1,2	VBUS	POWER	VBUS voltage pins: must be hardwired together on the PCB. These pins are connected to the VBUS connector, and are protected against positive and negative overvoltage events. A 1 $\mu$ F low ESR ceramic capacitor, or larger, must be connected between these pins and GND.
3	GND	POWER	Ground
4	RES1	INPUT	Reserved pin. Must be connected to GND potential and used for IC test.
5	RES2	INPUT	Reserved pin. Must be connected to GND potential and used for IC test.
6	RES3	INPUT	Reserved pin. Must be connected to GND potential and used for IC test.
7	Ilim	OUTPUT	Current Limit Pin. This pin provides the reference, based on the internal band-gap voltage reference, to limit the over current, across internal N-MOSFET. A 0.1% tolerance resistor shall be used to get the highest accuracy of the Over Current Limit.

# NCP373

## PIN FUNCTION DESCRIPTION

Pin	Pin Name	Type	Description
8	$\overline{EN}$	INPUT	Enable Pin. In combination with $\overline{DIR}$ , the internal NMOSes are turned on if Battery is applied on the IN pins. (See logic table) In enable mode, the internal Over-Current protection is activated from IN to VBUS. When enable mode is disabled, the NCP373 current consumption, into IN pin, is drastically decreased to limit current leakage of the self powered devices.
9	$\overline{DIR}$	INPUT	Direct Mode pin. This pin can be used, in combination with Enable pin, for the front end protection applications like wireless devices. In this case, the part can be used as +/- OVP only. See logic table.
10	$\overline{FLAG}$	OUTPUT	Fault indication pin. This pin allows an external system to detect fault condition. The FLAG pin goes low when input voltage exceeds OVLO threshold or drops below UVLO threshold (charging mode), charge current from IN to VBus exceeds current limit or internal temperature exceeds thermal shutdown limit. Since the FLAG pin is open drain functionality, an external pull up resistor to VBat must be added (10 k $\Omega$ minimum value).
11	IN	POWER	IN pin. In Front end application this pin is connected to CCCV device input or PMIC input. In host application, this pin is connected to upstream DCDC. This pin is used as power supply of the core and current from IN to VBUS is then limited to the external
12	NC	NA	Not internally connected. Can be connected to any potential.
13	PAD1	POWER	Drain connection of the back to back MOSFET's. This exposed pad mustn't be connected to any other potential and must be used for thermal dissipation of the internal MOSFETs.

## MAXIMUM RATINGS

Rating	Symbol	Value	Unit
Minimum Voltage (VBus to GND)	$V_{min_{VBUS}}$	-30	V
Minimum Voltage (All others to GND)	$V_{min}$	-0.3	V
Maximum Voltage (VBus to GND)	$V_{max_{VBUS}}$	30	V
Maximum Voltage (IN to GND)	$V_{max_{IN}}$	10	V
Maximum Voltage (VBus to Vin)	$V_{max_{VBUS-VIN}}$	$\pm 30$	V
Maximum Voltage (All others to GND)	$V_{max}$	7	V
Maximum DC current NCP373MU04TXG Charge Mode Vbus Mode NCP373MU13TXG Charge Mode Vbus Mode	$I_{in}$	500 500 2 1.5	mA mA A A
Thermal Resistance, Junction-to-Air, (Note 1)	$R_{\theta JA}$	200	$^{\circ}C/W$
Operating Ambient Temperature Range	$T_A$	-40 to +85	$^{\circ}C$
Storage Temperature Range	$T_{stg}$	-65 to +150	$^{\circ}C$
Junction Operating temperature	$T_J$	150	$^{\circ}C$
ESD Withstand Voltage (IEC 61000-4-2) Human Body Model (HBM), Model = 2, (Note 2) Machine Model (MM) Model = B, (Note 3)	Vesd	15 kV air, 8 kV contact 2000 V 200 V	kV V V
Moisture Sensitivity	MSL	Level 1	

Stresses exceeding Maximum Ratings may damage the device. Maximum Ratings are stress ratings only. Functional operation above the Recommended Operating Conditions is not implied. Extended exposure to stresses above the Recommended Operating Conditions may affect device reliability.

1. The  $R_{\theta JA}$  is highly dependent on the PCB heat sink area (connected to PAD1). See PCB recommendation paragraph.
2. Human Body Model, 100 pF discharged through a 1.5 k $\Omega$  resistor following specification JESD22/A114.
3. Machine Model, 200 pF discharged through all pins following specification JESD22/A115.

# NCP373

**ELECTRICAL CHARACTERISTICS** Min / Max limits values ( $-40^{\circ}\text{C} < T_A < +85^{\circ}\text{C}$ ) and  $I_N = +5\text{ V}$  (Unless otherwise noted). Typical values are  $T_A = +25^{\circ}\text{C}$

Characteristics	Symbols	Conditions	Min	Typ	Max	Unit
Input Voltage Range	$V_{in}$		2.5		5.5	V
Vbus Voltage Range	$V_{vbus}$	All modes	-28		28	V
		All modes $I_N = 5\text{ V}$	-23			
Under Voltage Lockout Threshold	UVLO	Vbus falls down UVLO threshold Disable, Charge mode and Enhance Modes	2.6	2.7	2.8	V
Under Voltage Lockout Hysteresis	$UVLO_{hyst}$	Vbus rises up UVLO threshold + $UVLO_{hyst}$	45	60	75	mV
Over voltage Lockout threshold	OVLO	Vbus rises up OVLO threshold	5.6	5.77	5.9	V
Over Voltage Lockout Hysteresis	$OVLO_{hyst}$	Vbus falls down to $OVLO - OVLO_{hyst}$	45	65	90	mV
Vbus versus $I_N$ Resistance $I_N$ versus Vbus Resistance	$R_{Dson}$	Vbus = 5 V, or $I_N = 5\text{ V}$ Direct Mode, Load connected to $V_{out}$ NCP373MU04TXG NCP373MU13TXG		200 130	300 220	$m\Omega$
Quiescent Current	$I_{ddIN}$	No load. Vbus mode, $V_{in} = 5\text{ V}$		200	315	$\mu\text{A}$
Standby Current	$I_{ddSTD}$	No load, $I_N = 5\text{ V}$ . Standby mode, No Vbus		0.02	1	$\mu\text{A}$
Current limit	$I_{OCP}$	$I_N = 5\text{ V}$ , Load on Vbus, Vbus mode $R_{LIM} = 0\ \Omega$ NCP373MU04TXG NCP373MU13TXG	330 1100	400 1300	470 1500	mA
FLAG Output Low Voltage	$V_{olflag}$	Fault mode Sink 1 mA on FLAG pin			400	mV
FLAG Leakage Current	$FLAG_{leak}$	FLAG level = 5.5 V		1		nA
DIR Voltage High	$V_{ih}$		1.2			V
DIR Voltage Low	$V_{ol}$				0.4	V
DIR Leakage current	$DIR_{leak}$	DIR = 5.5 V		300		nA
EN Voltage High	$V_{ih}$		1.2			V
EN Voltage Low	$V_{ol}$				0.4	V
EN Leakage current	$EN_{leak}$	$\overline{EN} = 5.5\text{ V}$		300		nA
Thermal Shutdown temperature	$T_{SD}$			150		$^{\circ}\text{C}$
Thermal Shutdown Hysteresis	$T_{SDHYST}$			30		$^{\circ}\text{C}$

## TIMINGS

### Vbus MODE

Start Up Delay	$T_{onVbus}$	$I_N \geq 2.5\text{ V}$ , from $\overline{EN} = 1.2$ to 0.4 to $V_{bus} \geq 0.3\text{ V}$ Vbus Mode	0.6	1.2	1.8	ms
FLAG going up Delay	$T_{startVbus}$	From $I_N \geq 0.3\text{ V}$ FLAG = 1.2 V, Vbus Mode	0.6	1.2	1.8	ms
Rearming Delay	$t_{RRD}$	$I_N > .2.5\text{ V}$ , $R_{in} = 1\ \Omega$ Vbus Mode, after fault	15	30	45	ms
Over Current Regulation Time	$t_{reg}$	$I_N > 2.6$ , $V_{bus} > 0.3\text{ V}$ Vbus Mode	0.5	1.2	1.8	ms
OCP delay time	$t_{OCP}$	From $I_{Vbus} > I_{lim}$ , 1 A/1 $\mu\text{s}$		5		$\mu\text{s}$

NOTE: Electrical parameters are guaranteed by correlation across the full range of temperature.

# NCP373

**ELECTRICAL CHARACTERISTICS** Min / Max limits values ( $-40^{\circ}\text{C} < T_A < +85^{\circ}\text{C}$ ) and  $I_N = +5\text{ V}$  (Unless otherwise noted). Typical values are  $T_A = +25^{\circ}\text{C}$

Characteristics	Symbols	Conditions	Min	Typ	Max	Unit
-----------------	---------	------------	-----	-----	-----	------

## TIMINGS

### Vbus MODE

Vbus Disable time	$T_{VbusDIS}$	From $\overline{EN} = 0.4\text{ V}$ to $1.2\text{ V}$ , to $V_{bus} < 0.3\text{ V}$ . $I_N = 5\text{ V}$		2.5		$\mu\text{s}$
Turn off delay	$t_{off}$	From $I_N > OVLO$ to $V_{bus} \leq 0.3\text{ V}$ $V_{in}$ increasing from $5\text{ V}$ to $8\text{ V}$ at $3\text{ V}/\mu\text{s}$		1.5	5	$\mu\text{s}$

### CHARGING MODE

Start Up Delay	$t_{on}$	From $V_{bus} > UVLO$ to $I_N = 0.3\text{ V}$ , charging mode	15	30	45	ms
$\overline{FLAG}$ going up Delay	$t_{start}$	From $I_N > 0.3\text{ V}$ to $\overline{FLAG} = 1.2\text{ V}$	15	30	45	ms
Turn off delay	$t_{off}$	From $V_{bus} > OVLO$ to $I_N \leq 0.3\text{ V}$ $V_{in}$ increasing from $5\text{ V}$ to $8\text{ V}$ at $3\text{ V}/\mu\text{s}$		1.5	5	$\mu\text{s}$
Alert delay	$t_{stop}$	From $V_{bus} > OVLO$ to $\overline{FLAG} \leq 0.4\text{ V}$ See Figures 3 and 9 $V_{in}$ increasing from $5\text{ V}$ to $8\text{ V}$ at $3\text{ V}/\mu\text{s}$		1.5		$\mu\text{s}$
Disable time	$t_{dis}$	$\overline{EN} = 1.2\text{ V}$ , From $\overline{DIR} = 0.4$ to $1.2\text{ V}$ to $I_N \leq 0.3\text{ V}$		2.5		$\mu\text{s}$

NOTE: Electrical parameters are guaranteed by correlation across the full range of temperature.

## TYPICAL OPERATING CHARACTERISTICS

### Operation

The NCP373 acts as an over-voltage in charge mode, when wall adapter or Vbus cable is connected to Vbus pin of the device. The downstream system (transceiver, CCCV charger..) are protected up to  $+30\text{ V}$  if charging voltage exceeds OVLO threshold ( $5.77\text{ V}$ ). Thanks to a back to back architecture, the Vbus pin is also protected against reverse polarity connection, coming from wrong USB cables. This negative protection acts down to  $-30\text{ V}$ .

In *disable mode* ( $\overline{EN} = 1$ ,  $\overline{DIR} = 1$ ), there is no current consumption on IN pin and MOSFETs are turned off (Vbus cable disconnected)

The NCP373 provides over-current from IN to Vbus by selecting Vbus mode.

To active Vbus mode (USB port on), the  $\overline{EN}$  pin must be tied low. In this case, MOSFET are turned on and current is measure in the branch. If the sinking current on the Vbus pin is above the programmed current on Ilim pin (can be programmed up to  $400\text{ mA}$ ), the Vbus current is regulated around  $I_{ocp}$  during  $t_{reg}$  time. If the overload is present at the end of this timer, the MOSFET are turned off and automatic rearming cycle is activated. With  $T_{reg}/T_{rrd}$  cycle until overload is present.

### Over-voltage Lockout (OVLO)

To protect the connected system on IN pins, from external over-voltage coming from USB connector or Wall Adapter, through Vbus pin, the device has a built-in over-voltage lock out (OVLO) circuit. During over-voltage condition,

the output remains disabled until the input voltage exceeds OVLO (Vbus pin).

The OVLO comparator is available in all modes.

Additional OVLO thresholds ranging from OVLO can be manufactured. Please contact your ON Semiconductor representative for further information.

$\overline{FLAG}$  output is tied to low until  $V_{in}$  is higher than OVLO. This circuit has a built-in hysteresis to provide noise immunity to transient conditions.

### Over-Current protection (OCP)

This device integrates over current protection function, from IN to Vbus port ( $400\text{ mA}$  version and  $1300\text{ mA}$  version).

That means the current across the internal NMOS is regulated when the value, set by external  $R_{lim}$  resistor, exceeds  $I_{limit}$  during an internal timer.

An internal resistor is placed in series with the pin allowing to have a maximum OCP value when I lim pin is directly connected to GND.

By adding external resistors in series with I lim and GND, the OCP value is decreased. The  $R_{lim}$  tolerance is important to keep a good accuracy. So a value between  $0.1\%$  and  $1\%$  won't have an impact on the OCP accuracy. Nevertheless, the higher  $R_{lim}$  value, the lower Over current protection accuracy.

Indeed, the current is measured by a voltage comparator on a serial resistance. If this voltage drop comes very small, the offset of the internal comparator will have an impact on

# NCP373

the accuracy. So a division by more than three times with  $R_{lim}$  will degrade drastically the overcurrent accuracy.

The current limit calculation formula for the NCP373MU04TXG is:

$$R_{LIM04} = \left( \frac{11521}{I_{OCP}} \right) - 29035 \ \Omega$$

The current limit calculation formula for the NCP373MU13TXG is:

$$R_{LIM13} = \left( \frac{37717}{I_{OCP}} \right) - 29035 \ \Omega$$

During over current event, NMOSes are opened and  $\overline{FLAG}$  output is tied to low, allowing the  $\mu$ Controller to take

into account the fault event and then disable reverse charge path.

## VBus Mode

To access to the Vbus mode,  $\overline{DIR}$  pin must be tied to high (>1.2) and  $\overline{EN}$  must be tied from high to low (< 0.4 V).

In that case, the core of the NCP373 will be supplied by the IN, with a 2.5 V minimum voltage and 5.5 V maximum voltage.

In this state, OCP, OVLO and thermal modes are available.

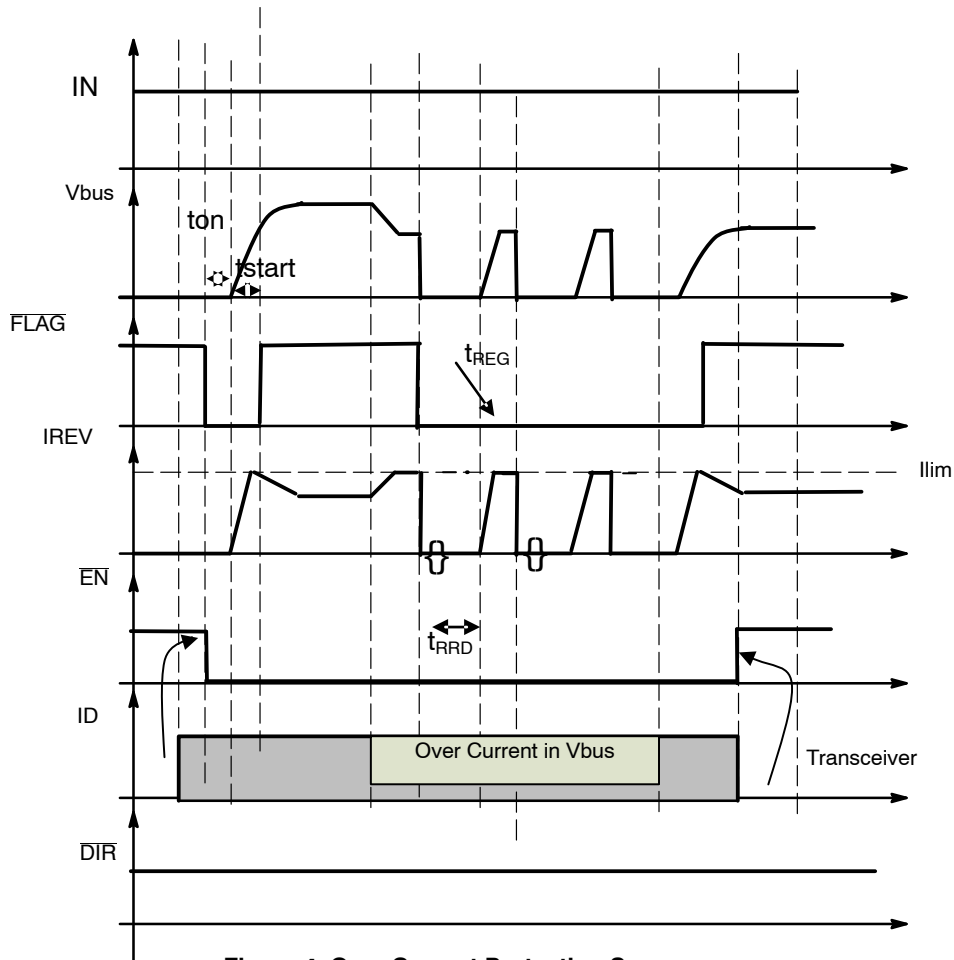


Figure 4. Over Current Protection Sequence

In Vbus Mode,  $\overline{FLAG}$  pin remains available, allowing the  $\mu$ controller to have a status regarding over-voltage

condition, over-current condition or thermal shutdown condition.

# NCP373

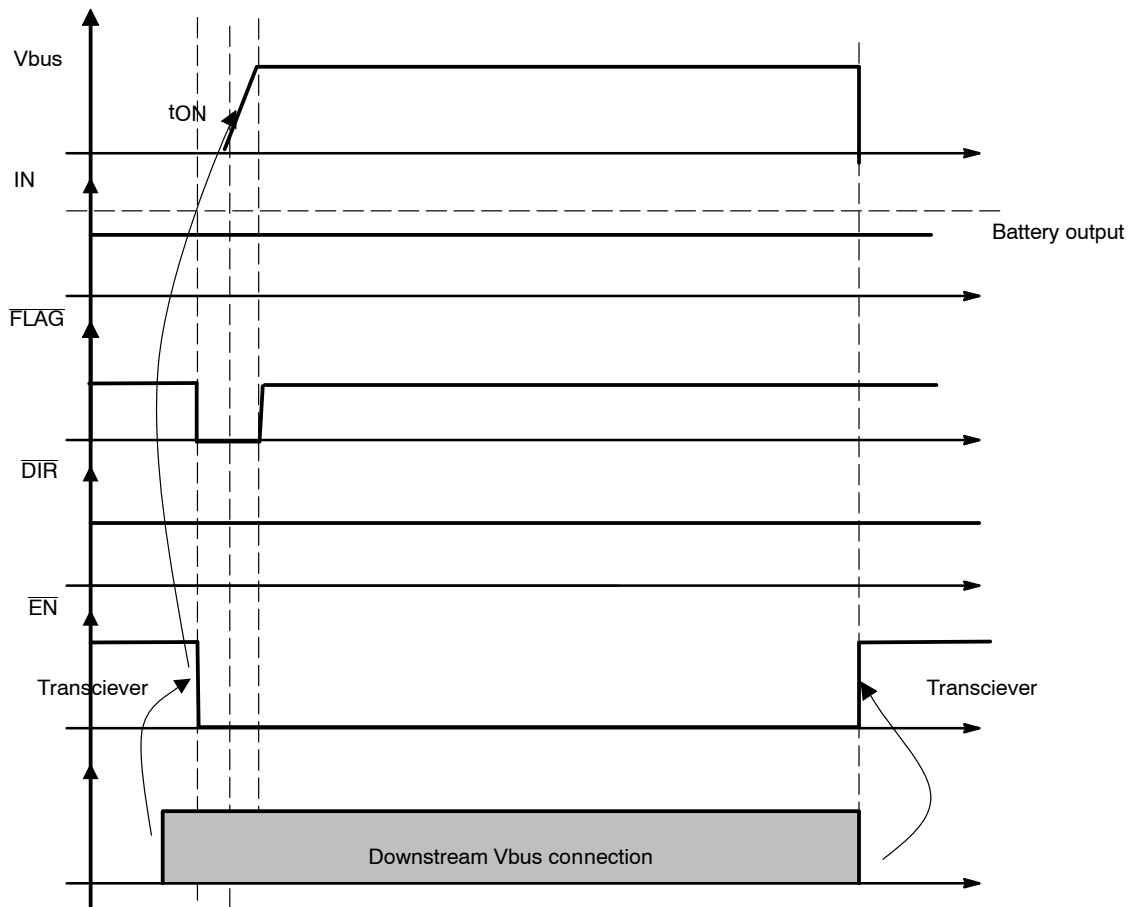


Figure 5.  $\overline{\text{FLAG}}$  Status in Vbus Mode

## Logic Inputs

To enable Charge operation (Charge Mode), the  $\overline{\text{DIR}}$  pin shall be forced to low and  $\overline{\text{EN}}$  to high. A high level on the

$\overline{\text{DIR}}$  pin disconnects IN pin from Vbus pin.  $\overline{\text{DIR}}$  does not overdrive an OVLO or UVLO fault ( $\overline{\text{FLAG}}$  status is still available).

Table 1. TABLE SELECTION OF CHARGE MODES

DIR	EN	MODE	Protection		
			OVP @ VBUS (+28 V, -28 V, OVLO 5.77 V)	OCP (IN to VBUS)	OCP (VBUS to IN)
0	0	NA	NA	NA	NA
0	1	Charge	Yes	NA	NA
1	0	VBUS	Yes	Yes	NA
1	1	Disable	Yes (out off)	NA	NA

## Negative Voltage and Reverse Current

The device protects the system connected on IN pin from negative voltage occurring on Vbus pin, down to -28 V. When a negative voltage occurs, the IN pins are disconnected from Vbus pins. This negative protection is available in all modes

## Thermal Shutdown Protection

In case of internal overheating, the integrated thermal shutdown protection allows to open the internal MOSFET

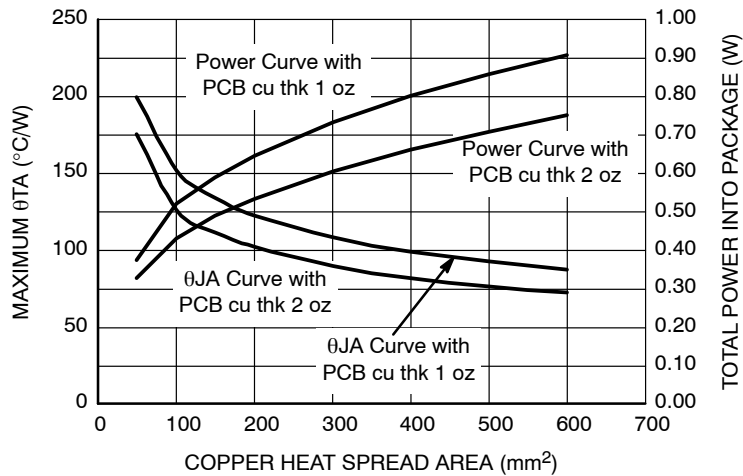
in order to instantaneously decrease the device temperature. The thermal threshold has been set at 150°C. FLAG is then tied to low to inform the MCU.

As the thermal hysteresis is 30°C, the MOSFET will be closed as soon the device temperature falls down to 120°C.

If the fault event is still present, the temperature increase one more time and engages the thermal shutdown one more time until fault event disappeared.



# NCP373



**Figure 6. Copper Heat Spread Area**

### ESD Tests

The NCP373 conforms to the IEC61000-4-2, level 4 on the Input pin. A 1  $\mu$ F (I.E Murata GRM188R61E105KA12D) must be placed close to the IN pins. If the IEC61000-4-2 is not a requirement, a 100 nF/25 V must be placed between IN and GND.

The above configuration supports 15 kV (Air) and 8 kV (Contact) at the input per IEC61000-4-2 (level 4).

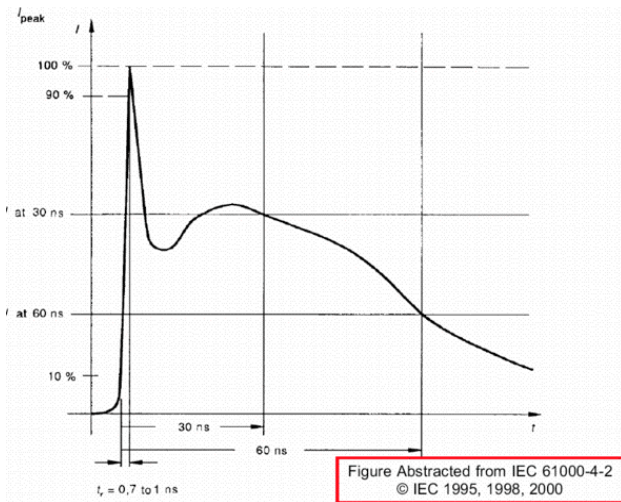
Please refer to Figure 7 for the IEC61000-4-2 electrostatic discharge waveform.

### PCB Recommendations

The under PAD1 of the NCP373 package shall be connected to an isolated PCB area to increase the heat transfer if necessary for an application standpoint.

In any case, the PAD1 shall be not connected to any other potential or GND than the isolated extra copper surface.

Following figure shows copper area according to  $R_{\theta JA}$  and allows the design of the transfer plane connected to PAD1.



**Figure 7.  $I_{peak} = f(t)$ /IEC61000-4-2**

### ORDERING INFORMATION

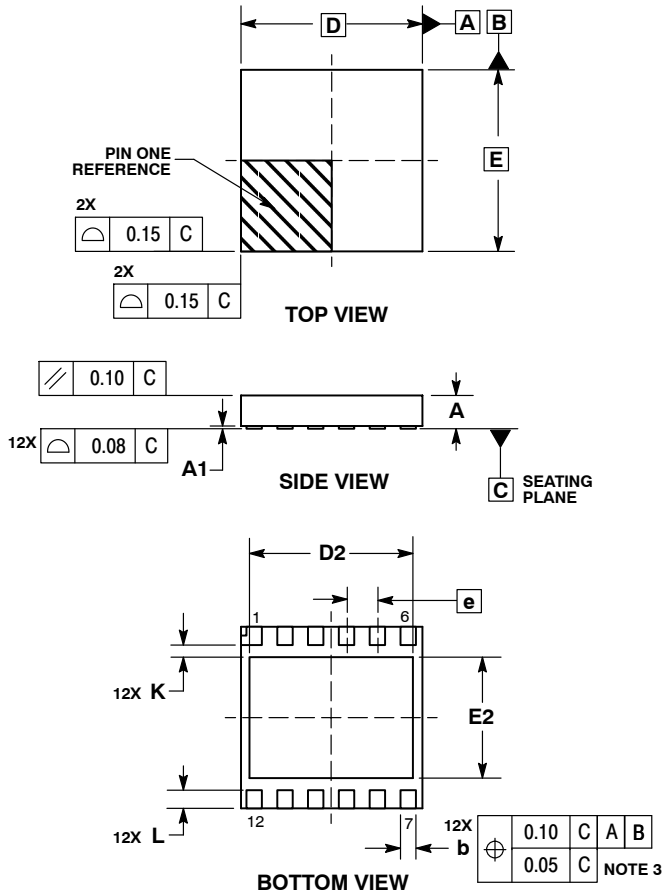
Device	Marking	Order Current Limit	Package	Shipping <sup>†</sup>
NCP373MU04TXG	NCAI	400 mA	LLGA12 3 x 3 mm (Pb-Free)	3000 Tape / Reel
NCP373MU13TXG	NC13	1300 mA	LLGA12 3 x 3 mm (Pb-Free)	3000 Tape / Reel

<sup>†</sup>For information on tape and reel specifications, including part orientation and tape sizes, please refer to our Tape and Reel Packaging Specifications Brochure, BRD8011/D.

# NCP373

## PACKAGE DIMENSIONS

LLGA12 3x3, 0.5P  
CASE 513AK-01  
ISSUE O

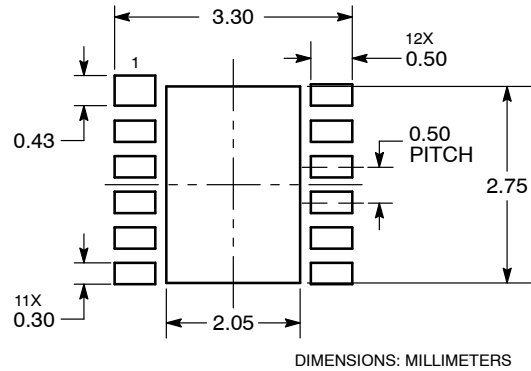


**NOTES:**

1. DIMENSIONING AND TOLERANCING PER ASME Y14.5M, 1994.
2. CONTROLLING DIMENSION: MILLIMETERS.
3. DIMENSION b APPLIES TO PLATED TERMINAL AND IS MEASURED BETWEEN 0.15 AND 0.30 MM FROM TERMINAL TIP.
4. COPLANARITY APPLIES TO THE EXPOSED PAD AS WELL AS THE TERMINALS.

DIM	MILLIMETERS	
	MIN	MAX
A	0.50	0.60
A1	0.00	0.05
b	0.20	0.30
D	3.00 BSC	
D2	2.60	2.80
E	3.00 BSC	
E2	1.90	2.10
e	0.50 BSC	
K	0.20	---
L	0.25	0.35

**SOLDERING FOOTPRINT\***



\*For additional information on our Pb-Free strategy and soldering details, please download the ON Semiconductor Soldering and Mounting Techniques Reference Manual, SOLDERRM/D.

ON Semiconductor and are registered trademarks of Semiconductor Components Industries, LLC (SCILLC). SCILLC owns the rights to a number of patents, trademarks, copyrights, trade secrets, and other intellectual property. A listing of SCILLC's product/patent coverage may be accessed at [www.onsemi.com/site/pdf/Patent-Marking.pdf](http://www.onsemi.com/site/pdf/Patent-Marking.pdf). SCILLC reserves the right to make changes without further notice to any products herein. SCILLC makes no warranty, representation or guarantee regarding the suitability of its products for any particular purpose, nor does SCILLC assume any liability arising out of the application or use of any product or circuit, and specifically disclaims any and all liability, including without limitation special, consequential or incidental damages. "Typical" parameters which may be provided in SCILLC data sheets and/or specifications can and do vary in different applications and actual performance may vary over time. All operating parameters, including "Typicals" must be validated for each customer application by customer's technical experts. SCILLC does not convey any license under its patent rights nor the rights of others. SCILLC products are not designed, intended, or authorized for use as components in systems intended for surgical implant into the body, or other applications intended to support or sustain life, or for any other application in which the failure of the SCILLC product could create a situation where personal injury or death may occur. Should Buyer purchase or use SCILLC products for any such unintended or unauthorized application, Buyer shall indemnify and hold SCILLC and its officers, employees, subsidiaries, affiliates, and distributors harmless against all claims, costs, damages, and expenses, and reasonable attorney fees arising out of, directly or indirectly, any claim of personal injury or death associated with such unintended or unauthorized use, even if such claim alleges that SCILLC was negligent regarding the design or manufacture of the part. SCILLC is an Equal Opportunity/Affirmative Action Employer. This literature is subject to all applicable copyright laws and is not for resale in any manner.

**PUBLICATION ORDERING INFORMATION**

**LITERATURE FULFILLMENT:**  
Literature Distribution Center for ON Semiconductor  
P.O. Box 5163, Denver, Colorado 80217 USA  
**Phone:** 303-675-2175 or 800-344-3860 Toll Free USA/Canada  
**Fax:** 303-675-2176 or 800-344-3867 Toll Free USA/Canada  
**Email:** [orderlit@onsemi.com](mailto:orderlit@onsemi.com)

**N. American Technical Support:** 800-282-9855 Toll Free  
USA/Canada  
**Europe, Middle East and Africa Technical Support:**  
Phone: 421 33 790 2910  
**Japan Customer Focus Center**  
Phone: 81-3-5817-1050

**ON Semiconductor Website:** [www.onsemi.com](http://www.onsemi.com)  
**Order Literature:** <http://www.onsemi.com/orderlit>  
For additional information, please contact your local Sales Representative