

NCP51510, NCV51510

3 Amp V_{TT} Termination Source / Sink Regulator for DDR, DDR-2, DDR-3, DDR-4

The NCP51510 is a source/sink Double Data Rate (DDR) termination regulator specifically designed for low input voltage and low-noise systems where space is a key consideration. The NCP51510 maintains a fast transient response and only requires a minimum V_{TT} load capacitance of 10 μ F for output stability. The NCP51510 supports remote sensing and all power requirements for DDR V_{TT} bus termination. The NCP51510 can also be used in low-power chipsets and graphics processor cores that require dynamically adjustable output voltages. The NCP51510 is available in the thermally-efficient DFN10 Exposed Pad package, and is rated both Green and Pb-Free.

Features

- Generate DDR Memory Termination Voltage (V_{TT})
- For DDR, DDR-2, DDR-3 and DDR-4 Source / Sink Currents
- Supports Loads Up to ± 3 A (Typ), Output is Over-Current Protected
- Integrated MOSFETs with Thermal Shutdown Protection
- Fast Load-Transient Response
- P_{GOOD} Output Pin to Monitor Status of V_{TT} Output Regulation
- \overline{SS} Input Pin for Suspend Shutdown mode
- V_{RI} Input Reference for Flexible Voltage Tracking
- V_{TTS} Input for Remote Sensing (Kelvin Connection)
- Built-in Soft-Start, Under Voltage Lockout
- Small, Low-Profile 10-pin, 3 x 3 mm DFN Package
- NCV51510MWTAG – Wettable Flank Option for Enhanced Optical Inspection
- NCV Prefix for Automotive and Other Applications Requiring Unique Site and Control Change Requirements; AEC-Q100 Qualified and PPAP Capable*
- This is a Pb-Free Device

Applications

- DDR Memory Termination
- Desktop PC's, Notebooks, and Workstations
- Servers and Networking equipment
- Telecom/Datacom, GSM Base Station
- Graphics Processor Core Supplies
- Set Top Boxes, LCD-TV/PDP-TV, Copier/Printers
- Supplies Power for Chipset/RAM as Low as 0.5 V
- Active Source/Sink Bus Termination



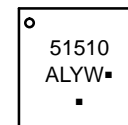
ON Semiconductor®

www.onsemi.com



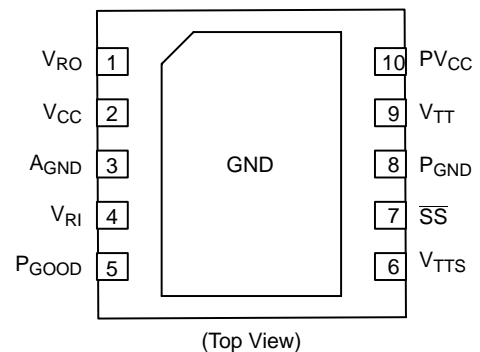
DFN10
CASE 485C

MARKING DIAGRAM



51510 = Specific Device Code
A = Assembly Location
L = Wafer Lot
Y = Year
W = Work Week
▪ = Pb-Free Package
(Note: Microdot may be in either location)

PIN CONNECTIONS



ORDERING INFORMATION

Device	Package	Shipping†
NCP51510MNTAG	DFN10 (Pb-Free)	3000 / Tape & Reel
NCV51510MNTAG*		
NCV51510MWTAG*		

†For information on tape and reel specifications, including part orientation and tape sizes, please refer to our Tape and Reel Packaging Specifications Brochure, BRD8011/D.

NCP51510, NCV51510

PIN FUNCTION DESCRIPTION

Pin Number	Pin Name	Pin Function
1	V _{RO}	OUTPUT – Buffered Output of V _{RI} Reference Input pin.
2	V _{CC}	INPUT – Regulator Analog Power Input pin. Connect to the system supply voltage. Bypass V _{CC} to A _{GND} with a 1 μF or greater ceramic capacitor.
3	A _{GND}	Analog Ground
4	V _{RI}	INPUT – External Reference Input for V _{TT} Output (see Figure 1 for typical application)
5	P _{GOOD}	OUTPUT – V _{TT} “Power Good” pin (open drain output)
6	V _{TTS}	INPUT – Remote Sense Input for V _{TT} . The V _{TTS} pin provides accurate remote feedback sensing of the V _{TT} output.
7	SS	INPUT – Suspend Shutdown Control Input. CMOS compatible. Logic HIGH = enable, logic LOW = shutdown. Connect to VDDQ for normal operation.
8	P _{GND}	Power Ground. Internally connected to Low-side MOSFET
9	V _{TT}	OUTPUT – Regulated Power Output pin
10	PV _{CC}	INPUT – Regulator Power Input pin. Internally connected to High-side MOSFET
–	THERMAL PAD	Pad for thermal connection. The exposed pad must be connected to the ground plane using multiple vias for maximum power dissipation performance.

ABSOLUTE MAXIMUM RATINGS

Rating	Symbol	Value	Unit	
PV _{CC} to P _{GND}	(Note 1)	–	–0.3 to 4.3	V
V _{CC} to A _{GND}	(Note 1)	V _{CC}	–0.3 to 4.3	
V _{RI} , V _{RO} , SS, P _{GOOD} to A _{GND}	(Note 1)	–	–0.3 to (V _{CC} + 0.3)	
V _{TT} to P _{GND}	(Note 1)	–	–0.3 to (PV _{CC} + 0.3)	
V _{TTS} to A _{GND}	(Note 1)	V _{TTS}	–0.3 to (PV _{CC} + 0.3)	
P _{GND} to A _{GND}		P _{GND}	–0.3 to +0.3	°C
Storage Temperature		T _{stg}	–65 to 150	
Operating Junction Temperature Range		T _J	–40 to 125	
ESD Capability, Human Body Model	(Note 2)	ESD _{HBM}	2000	V
ESD Capability, Machine Model	(Note 2)	ESD _{MM}	200	V
V _{TT} Output Continuous RMS Current	100 sec	–	±1.6	A
	1 sec		±2.5	

Stresses exceeding those listed in the Maximum Ratings table may damage the device. If any of these limits are exceeded, device functionality should not be assumed, damage may occur and reliability may be affected.

1. Refer to ELECTRICAL CHARACTERISTICS and APPLICATION INFORMATION for Safe Operating Area.
2. This device series incorporates ESD protection and is tested by the following methods:
 ESD Human Body Model tested per AEC-Q100-002 (EIA/JESD22-A114)
 ESD Machine Model tested per AEC-Q100-003 (EIA/JESD22-A115)
 Latchup Current Maximum Rating tested per JEDEC standard: JESD78.

DISSIPATION RATINGS

Package	T _A = 70°C Power Rate	Derating Factor Above T _A = 70°C
10-Pin DFN	1951 mW	24.4 mW / °C

NCP51510, NCV51510

RECOMMENED OPERATING CONDITIONS

Rating	Symbol	Value	Unit
V_{TT} Output Voltage Range	V_{TT}, V_{TTS}	0.5 to 1.5	V
PV_{CC} Input Voltage Range (Power)	PV_{CC}	1.1 to 3.6	
V_{CC} Input Voltage Range (Analog)	V_{CC}	2.7 to 3.6	
Logic Voltage Range	\overline{SS}, P_{GOOD}	0 to V_{CC}	
Operating Ambient Temperature Range	T_A	-40 to +125	°C

Functional operation above the stresses listed in the Recommended Operating Ranges is not implied. Extended exposure to stresses beyond the Recommended Operating Ranges limits may affect device reliability.

ELECTRICAL CHARACTERISTICS

$PV_{CC} = 1.8\text{ V}$; $V_{CC} = 3.3\text{ V}$; $V_{RI} = V_{TTS} = 1.25\text{ V}$; $\overline{SS} = V_{CC}$; (circuit of Figure 1, $-40^\circ\text{C} \leq (T_J = T_A) \leq 125^\circ\text{C}$; unless otherwise noted. Typical values are at $T_A = +25^\circ\text{C}$)

Parameter	Conditions	Symbol	Min	Typ	Max	Unit
-----------	------------	--------	-----	-----	-----	------

OUTPUT

V_{TT} Output Voltage Range	$PV_{CC} > (V_{TT} + V_{DROPOUT})$		V_{TT}	0.5	1.5	V	
V_{TT} Load Regulation	$-1\text{ A} \leq I_{TT} \leq +1\text{ A}$		ΔV_{LOAD}	-4	+4	mV	
V_{TT} Line-Regulation	$1.4\text{ V} \leq PV_{CC} \leq 3.3\text{ V}$, $I_{OUT} = \pm 100\text{ mA}$		ΔV_{LINE}		1		
Feedback-Voltage Error	V_{RI} to V_{TTS} , $I_{TT} = \pm 200\text{ mA}$	$T_A = -40^\circ\text{C}$ to 125°C	V_{TTS}	-17	+17		
V_{TT} Current Slew Rate	$C_{OUT} = 100\ \mu\text{F}$, $I_{TT} = 0.1\text{ A}$ to 2 A		I_{TT} di/dt		3	A/ μs	
V_{TT} Output Power-Supply Rejection Ratio	10 Hz < f < 10 kHz, $I_{TT} = 200\text{ mA}$, $C_{OUT} = 100\ \mu\text{F}$		PSRR		80	dB	
V_{TT} Output MOSFET $R_{DS(on)}$	High-side (source) ($I_{TT} = +100\text{ mA}$)		$R_{DS(on)}$		140	250	m Ω
	Low-side (sink) ($I_{TT} = -100\text{ mA}$)				140	250	
V_{TT} Output-to- V_{TTS} Input	Internal Feedback Resistance		R_{FB}		12	k Ω	
Discharge MOSFET $R_{DS(on)}$	$\overline{SS} = 0\text{ V}$		R_{DIS}		8	Ω	

SUPPLY CURRENT

Quiescent PV_{CC} Current	No Load		$I_{PV_{CC}}$		0.4	10	mA
Quiescent V_{CC} Current	$V_{RI} > 0.45\text{ V}$, No Load		I_{CC}		0.7	1.3	
Shutdown PV_{CC} Current	$\overline{SS} = 0\text{ V}$		$I_{PV_{CC} SD}$		0.1	10	μA
Shutdown V_{CC} Current	$\overline{SS} = 0\text{ V}$, $V_{RI} = 0\text{ V}$		$I_{CC SD}$		50	100	
	$\overline{SS} = 0\text{ V}$, $V_{RI} > 0.45\text{ V}$				350	600	

REFERENCE

V_{RI} Input Voltage Range		V_{RI}	0.5		1.5	V
V_{RI} Input-Bias current	$T_A = +25^\circ\text{C}$	I_{RI}	-1		+1	μA
V_{RO} Output Voltage	$V_{CC} = 3.3\text{ V}$, $I_{RO} = 0$	V_{RO}	V_{RI} -10	V_{RI}	V_{RI} +10	mV
V_{RO} Load Regulation	$I_{RO} = \pm 5\text{ mA}$	ΔV_{RO}	-20		+20	

SUSPEND SHUTDOWN

\overline{SS} - Suspend Shutdown Logic Input Threshold	\overline{SS} Logic HI (V_{TT} Output Enabled)	V_{IH}	2.0			V
	\overline{SS} Logic LOW (V_{TT} Suspended)	V_{IL}			0.8	
\overline{SS} - Logic Input Current	$\overline{SS} = V_{CC}$ or 0 V , $T_A = +25^\circ\text{C}$	I_{SS}	-1		+1	μA

FAULT CONDITION - CURRENT LIMIT

Current-Limit Threshold	$T_A = -40^\circ\text{C}$ to $+125^\circ\text{C}$	$I_{TT LIMIT}$	1.8	3	4.2	A
Soft-start Current-limit time		T_{SS}		200		μs

NCP51510, NCV51510

ELECTRICAL CHARACTERISTICS

$PV_{CC} = 1.8\text{ V}$; $V_{CC} = 3.3\text{ V}$; $V_{RI} = V_{TTS} = 1.25\text{ V}$; $\overline{SS} = V_{CC}$; (circuit of Figure 1, $-40^{\circ}\text{C} \leq (T_J = T_A) \leq 125^{\circ}\text{C}$; unless otherwise noted. Typical values are at $T_A = +25^{\circ}\text{C}$ (continued)

Parameter	Conditions	Symbol	Min	Typ	Max	Unit
-----------	------------	--------	-----	-----	-----	------

FAULT CONDITION – UNDER-VOLTAGE LOCKOUT

V _{CC} UVLO Threshold	Wake-up, rising edge	V _{CC UVLO}	2.50	2.70	2.90	V
	Hysteresis Voltage	–		100		mV
PV _{CC} UVLO Threshold	Wake-up, rising edge	PV _{CC UVLO}		0.9	1.1	V
	Hysteresis Voltage	–		55		mV
V _{RI} UVLO Voltage	V _{RI} , rising edge	V _{RI UVLO}		350	450	
	Hysteresis Voltage	–		50		

FAULT CONDITION – THERMAL SHUTDOWN

Thermal Shutdown Temperature	Thermal Shutdown, rising edge	T _{SD}		165		°C
Thermal Shutdown Hysteresis	Hysteresis Temperature	T _{SH}		15		

FAULT CONDITION – POWER GOOD

P _{GOOD} Lower trip threshold	With respect to feedback threshold, hysteresis = 12 mV	–	–200	–150	–100	mV
P _{GOOD} Upper trip threshold		–	100	150	200	
P _{GOOD} Output Low Voltage	I _{SINK} = 4 mA (P _{GOOD} MOSFET = On)	–			300	
P _{GOOD} start-up delay	Start-up rising edge, V _{TTS} within ±100 mV of the feedback threshold	–	1	2	3.5	ms
P _{GOOD} Propagation Delay	V _{TTS} forced 25 mV beyond P _{GOOD} trip threshold	T _{PGOOD}	5	10	35	μs
P _{GOOD} Leakage Current	V _{TTS} = V _{RI} (P _{GOOD} Hi-impedance), P _{GOOD} = V _{CC} + 0.3 V, T _A = +25°C	I _{PGOOD}			1	μA

Product parametric performance is indicated in the Electrical Characteristics for the listed test conditions, unless otherwise noted. Product performance may not be indicated by the Electrical Characteristics if operated under different conditions.

NCP51510, NCV51510

General*

The NCP51510 is a source/sink tracking termination regulator specifically designed for low input voltage and low external component count systems where space is a key application parameter. The NCP51510 integrates a high-performance, low-dropout (LDO) linear regulator that is capable of both sourcing and sinking current. The LDO regulator employs a fast feedback loop so that small ceramic capacitors can be used to support the fast load transient response. To achieve tight regulation with minimum effect of trace resistance, a remote sensing input (V_{TTS}) should be connected to the positive terminal of the output capacitors as a separate trace from the high current path of the V_{TT} output.

Generation of Internal Voltage Reference

The V_{TT} output voltage is regulated to (and tracks with) the voltage on the V_{RI} Reference input. When the V_{RI} input is configured for standard DDR termination applications, the V_{RI} Reference input can be set by an external equivalent ratio voltage divider connected to the memory supply bus (V_{DDQ}). The NCP51510 supports V_{TT} voltages from 0.5 V to 1.5 V.

Generation of Internal Voltage Reference (cont)

When the V_{RO} output is configured for DDR termination applications, it provides a separate V_{TT} output reference voltage for the memory application. The V_{RO} Reference Output pin is a buffered version of the V_{RI} Reference Input, and is capable of sourcing and sinking a load of ± 5 mA. The V_{RO} output becomes active when the V_{RI} input > 0.45 V and the V_{CC} power rail is above the UVLO threshold. The V_{RO} Reference Output is independent of the \overline{SS} pin (Suspend Shutdown) state.

Fault Detection and Shutdown Function

When the \overline{SS} “Suspend Shutdown” input pin is driven high, the NCP51510 regulator begins normal operation, with the Soft Start circuit gradually increasing output current during the first 200 μ s in order to reduce the input

surge currents at startup, with full current available after the 200 μ s Soft-Start circuitry has timed out.

When the \overline{SS} input is driven low, the V_{TT} output is discharged to P_{GND} through an internal 8 Ω MOSFET. The V_{RO} output remains on when the \overline{SS} input is driven low. The NCP51510 provides an open-drain P_{GOOD} “Power Good” output that goes high when the V_{TTS} Sense input is within ± 150 mV of the V_{RI} Reference Input. The P_{GOOD} output de-asserts within 10 μ s after the V_{TTS} Sense input exceeds the size of the P_{GOOD} window. During initial V_{TT} startup, P_{GOOD} asserts high 2 ms after the V_{TTS} Sense input enters P_{GOOD} window. Because the P_{GOOD} output is open-drain, an external pull-up resistor is required (100 $k\Omega^*$) between P_{GOOD} and a stable active supply voltage rail.

Thermal Shutdown with Hysteresis

If the NCP51510 is to operate in elevated temperatures for long durations, care should be taken to ensure that the maximum operating junction temperature is not exceeded. To guarantee safe operation, the NCP51510 provides on-chip thermal shutdown protection. When the chip junction temperature exceeds 165°C*, the part will shutdown. When the junction temperature falls back, to 150°C*, the device resumes normal operation. If the junction temperature exceeds the thermal shutdown threshold, the V_{TT} output is shut off, discharged by the 8 Ω internal discharge MOSFET.

Output Capacitor

Output stability is guaranteed for V_{TT} output capacitance C_{OUT} from 10 μ F to 220 μ F. The ESR of C_{OUT} between 2 $m\Omega$ and 50 $m\Omega$ is required to maintain stability. Use the formula below to calculate the application’s transient response:

$$\Delta I_{TT(pp)} \times ESR = \Delta V_{TT(pp)}$$

Where:

$\Delta I_{TT(pp)}$ is the maximum peak-to-peak load current delta and $\Delta V_{TT(pp)}$ is the allowable peak-to-peak voltage tolerance.

*Typical values are used with the application description text. Please refer to the Electrical Specifications Table for a more detailed list of MIN, MAX and TYPICAL values.

NCP51510, NCV51510

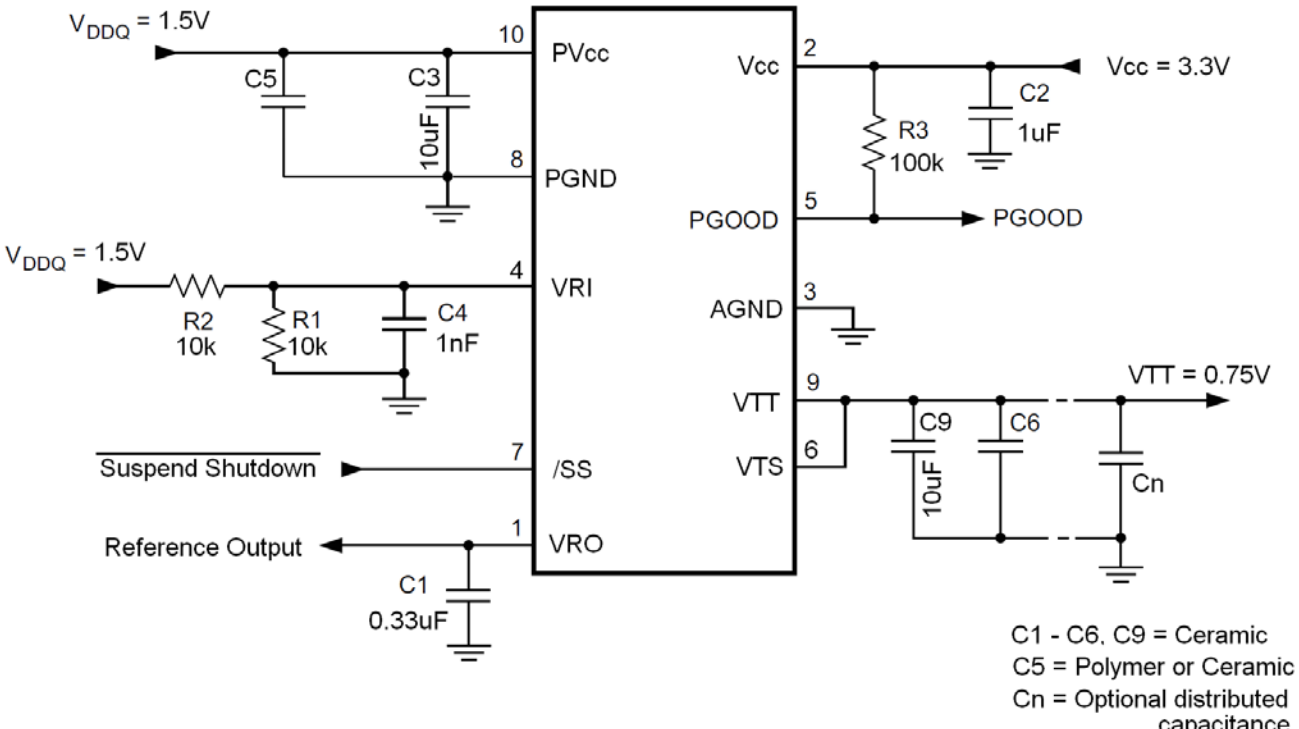
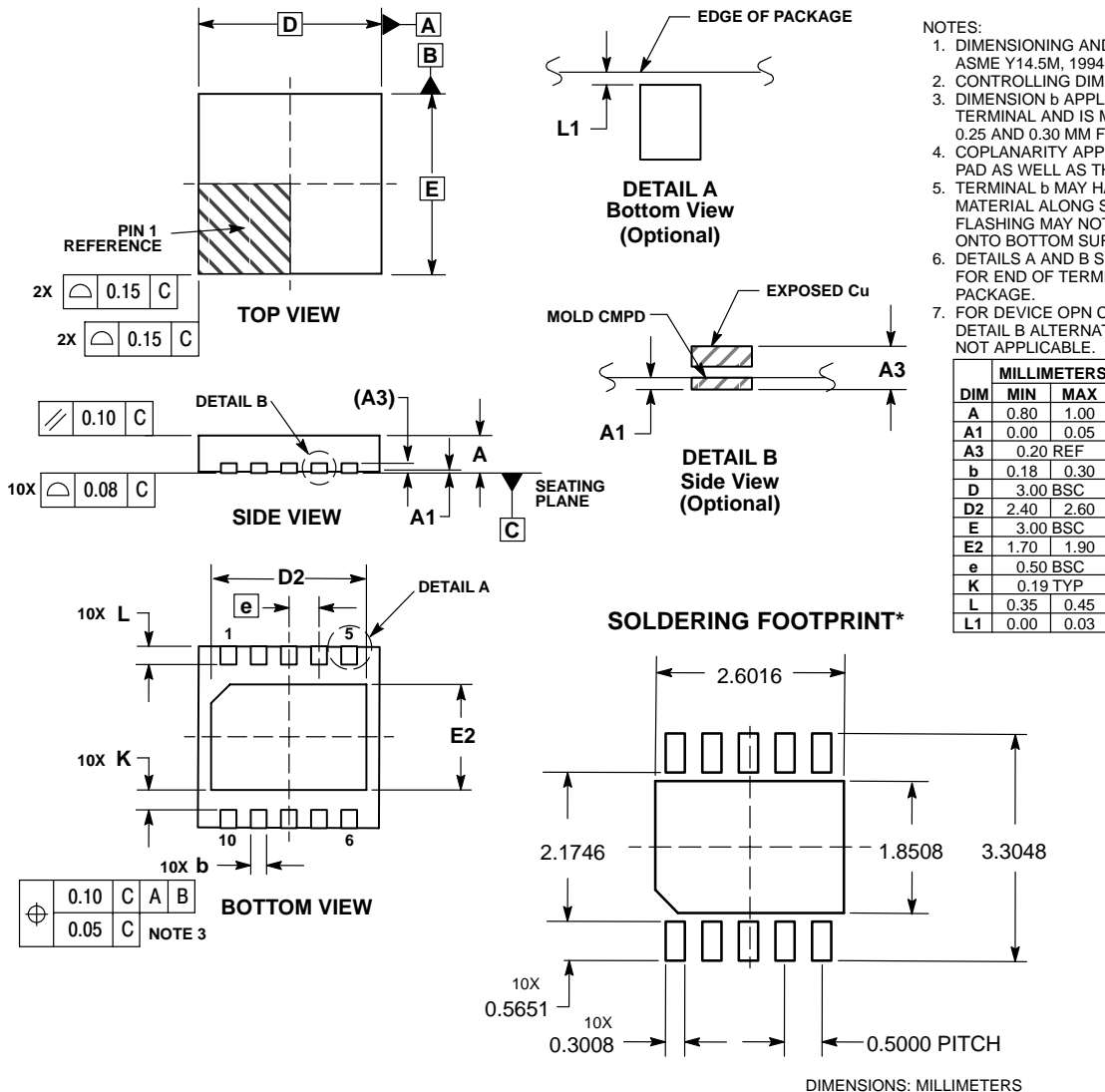


Figure 1. Standard Application Schematic for NCP51510

NCP51510, NCV51510

PACKAGE DIMENSIONS

DFN10, 3x3, 0.5P
CASE 485C
ISSUE C



*For additional information on our Pb-Free strategy and soldering details, please download the ON Semiconductor Soldering and Mounting Techniques Reference Manual, SOLDERRM/D.

ON Semiconductor and the are registered trademarks of Semiconductor Components Industries, LLC (SCILLC) or its subsidiaries in the United States and/or other countries. SCILLC owns the rights to a number of patents, trademarks, copyrights, trade secrets, and other intellectual property. A listing of SCILLC's product/patent coverage may be accessed at www.onsemi.com/site/pdf/Patent-Marking.pdf. SCILLC reserves the right to make changes without further notice to any products herein. SCILLC makes no warranty, representation or guarantee regarding the suitability of its products for any particular purpose, nor does SCILLC assume any liability arising out of the application or use of any product or circuit, and specifically disclaims any and all liability, including without limitation special, consequential or incidental damages. "Typical" parameters which may be provided in SCILLC data sheets and/or specifications can and do vary in different applications and actual performance may vary over time. All operating parameters, including "Typicals" must be validated for each customer application by customer's technical experts. SCILLC does not convey any license under its patent rights nor the rights of others. SCILLC products are not designed, intended, or authorized for use as components in systems intended for surgical implant into the body, or other applications intended to support or sustain life, or for any other application in which the failure of the SCILLC product could create a situation where personal injury or death may occur. Should Buyer purchase or use SCILLC products for any such unintended or unauthorized application, Buyer shall indemnify and hold SCILLC and its officers, employees, subsidiaries, affiliates, and distributors harmless against all claims, costs, damages, and expenses, and reasonable attorney fees arising out of, directly or indirectly, any claim of personal injury or death associated with such unintended or unauthorized use, even if such claim alleges that SCILLC was negligent regarding the design or manufacture of the part. SCILLC is an Equal Opportunity/Affirmative Action Employer. This literature is subject to all applicable copyright laws and is not for resale in any manner.

PUBLICATION ORDERING INFORMATION

LITERATURE FULFILLMENT:
Literature Distribution Center for ON Semiconductor
P.O. Box 5163, Denver, Colorado 80217 USA
Phone: 303-675-2175 or 800-344-3860 Toll Free USA/Canada
Fax: 303-675-2176 or 800-344-3867 Toll Free USA/Canada
Email: orderlit@onsemi.com

N. American Technical Support: 800-282-9855 Toll Free
USA/Canada
Europe, Middle East and Africa Technical Support:
Phone: 421 33 790 2910
Japan Customer Focus Center
Phone: 81-3-5817-1050

ON Semiconductor Website: www.onsemi.com
Order Literature: <http://www.onsemi.com/orderlit>
For additional information, please contact your local Sales Representative