

# Self Protected Very Low Iq High Side Driver with Analog Current Sense

## NCV84045

The NCV84045 is a fully protected single channel high side driver that can be used to switch a wide variety of loads, such as bulbs, solenoids, and other actuators. The device incorporates advanced protection features such as active inrush current management, over-temperature shutdown with automatic restart and an overvoltage active clamp. A dedicated Current Sense pin provides precision analog current monitoring of the output as well as fault indication of short to  $V_D$ , short circuit to ground and OFF state open load detection. An active high Current Sense Enable pin allows all diagnostic and current sense features to be enabled.

### Features

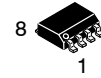
- Short Circuit Protection with Inrush Current Management
- CMOS (3 V / 5 V) Compatible Control Input
- Very Low Standby Current
- Very Low Current Sense Leakage
- Proportional Load Current Sense
- Current Sense Enable
- Off State Open Load Detection
- Output Short to  $V_D$  Detection
- Overload and Short to Ground Indication
- Thermal Shutdown with Automatic Restart
- Undervoltage Shutdown
- Integrated Clamp for Inductive Switching
- Loss of Ground and Loss of  $V_D$  Protection
- ESD Protection
- Reverse Battery Protection with External Components
- NCV Prefix for Automotive and Other Applications Requiring Unique Site and Control Change Requirements; AEC-Q100 Grade 1 Qualified and PPAP Capable
- This is a Pb-Free Device

### Typical Applications

- Switch a Variety of Resistive, Inductive and Capacitive Loads
- Can Replace Electromechanical Relays and Discrete Circuits
- Automotive / Industrial

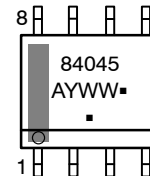
### FEATURE SUMMARY

$R_{DSon}$ (typical) $T_J = 25^\circ\text{C}$	$R_{ON}$	50	m $\Omega$
Output Current Limit (typical)	$I_{lim}$	32	A
OFF-state Supply Current (max)	$I_{D(off)}$	0.5	$\mu\text{A}$



SOIC-8  
CASE 751-07  
STYLE 11

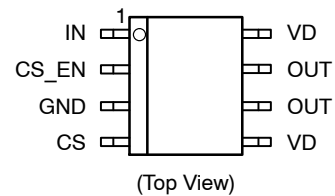
### MARKING DIAGRAM



84045 = Specific Device Code  
A = Assembly Location  
Y = Year  
WW = Work Week  
▪ = Pb-Free Package

(Note: Microdot may be in either location)

### PIN CONNECTIONS



### ORDERING INFORMATION

Device	Package	Shipping†
NCV84045DR2G	SOIC-8 (Pb-Free)	2500 / Tape & Reel

†For information on tape and reel specifications, including part orientation and tape sizes, please refer to our Tape and Reel Packaging Specification Brochure, BRD8011/D.

BLOCK DIAGRAM & PIN CONFIGURATION

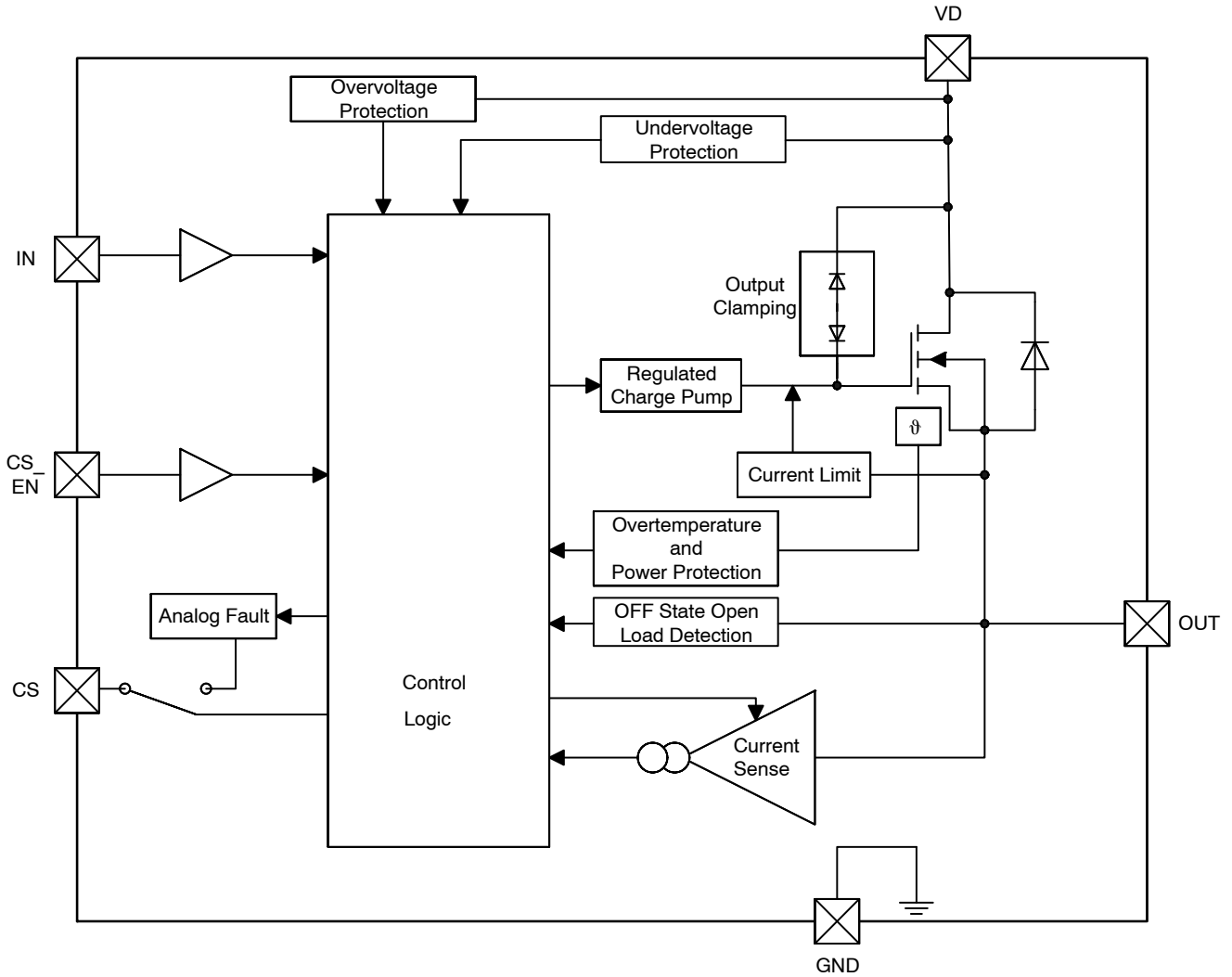


Figure 1. Block Diagram

Table 1. SO8 PACKAGE PIN DESCRIPTION

Pin #	Symbol	Description
1	IN	Logic Level Input
2	CS_EN	Current Sense Enable
3	GND	Ground
4	CS	Analog Current Sense Output
5	V <sub>D</sub>	Supply Voltage
6	OUT	Output
7	OUT	Output
8	V <sub>D</sub>	Supply Voltage

# NCV84045

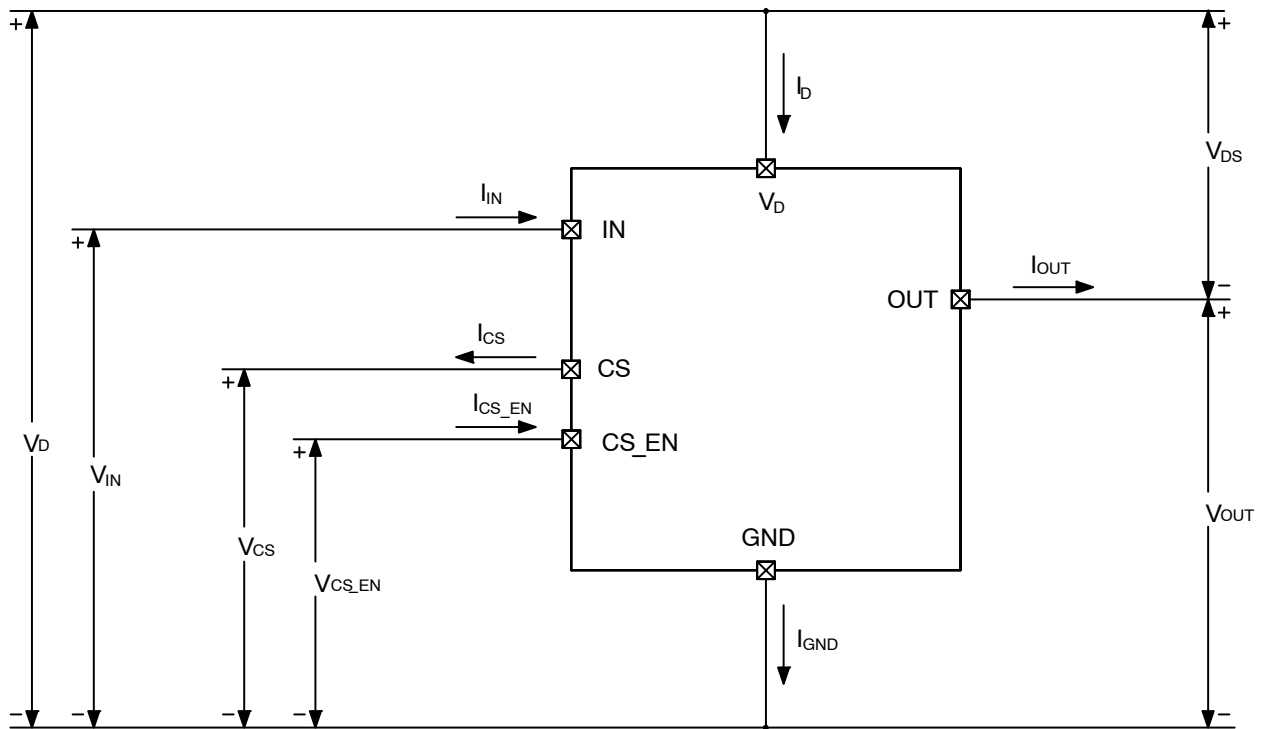


Figure 2. Voltage and Current Conventions

Table 2. Connection suggestions for unused and or unconnected pins

Connection	Input	Output	Current Sense	Current Sense Enable
Floating	X	X	Not Allowed	X
To Ground	Through 10 kΩ resistor	Not Allowed	Through 1 kΩ Resistor	Through 10 kΩ resistor

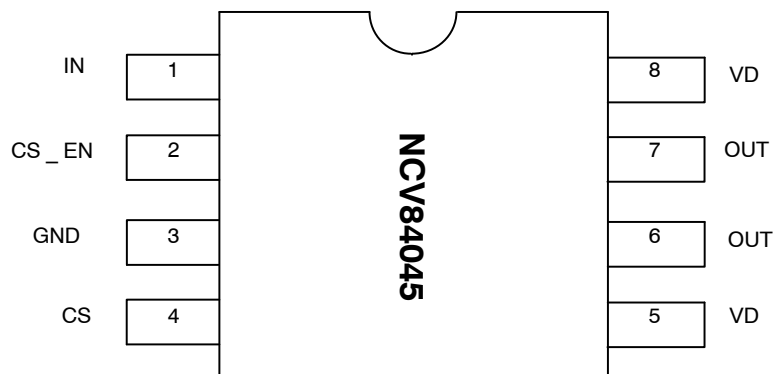


Figure 3. Pin Configuration (Top View)

**ELECTRICAL SPECIFICATIONS**

**Table 3. MAXIMUM RATINGS**

Rating	Symbol	Value		Unit
DC Supply Voltage	$V_D$	-0.3	38	V
Max Transient Supply Voltage (Note 1) Load Dump – Suppresses	$U_S^*$	-	45	V
Input Voltage	$V_{IN}$	-10	10	V
Input Current	$I_{IN}$	-5	5	mA
Reverse Ground Pin Current	$I_{GND}$	-	-200	mA
Output Current (Note 2)	$I_{OUT}$	-6	Internally Limited	A
Reverse CS Current	$I_{CS}$	-	-200	mA
CS Voltage	$V_{CS}$	$V_D - 41$	$V_D$	V
CS_EN Voltage	$V_{CS\_EN}$	-10	10	V
CS_EN Current	$I_{CS\_EN}$	-5	5	mA
Power Dissipation $T_c = 25^\circ\text{C}$ (Note 6)	$P_{tot}$	1.97		W
Electrostatic Discharge (Note 3) (HBM Model 100 pF / 1500 $\Omega$ )	$V_{ESD}$			DC
Input		4	-	kV
Current Sense		4	-	kV
Current Sense Enable		4	-	kV
Output		4	-	kV
$V_D$		4	-	kV
Charged Device Model CDM-AEC-Q100-011		750	-	V
Single Pulse Inductive Load Switching Energy ( $L = 5$ mH, $V_{bat} = 13$ V; $I_L = 6.7$ A, $T_{Jstart} = 150^\circ\text{C}$ ) (Note 4)	$E_{AS}$	-	112	mJ
Operating Junction Temperature	$T_J$	-40	+150	$^\circ\text{C}$
Storage Temperature	$T_{storage}$	-55	+150	$^\circ\text{C}$

Stresses exceeding those listed in the Maximum Ratings table may damage the device. If any of these limits are exceeded, device functionality should not be assumed, damage may occur and reliability may be affected.

1. Load Dump Test B (with centralized load dump suppression) according to ISO16750-2 standard. Guaranteed by design. Not tested in production. Passed Class C according to ISO16750-1.
2. Reverse Output current has to be limited by the load to stay within absolute maximum ratings and thermal performance.
3. This device series incorporates ESD protection and is tested by the following methods:  
 ESD Human Body Model tested per AEC-Q100-002 (JS-001-2017)  
 Field Induced Charge Device Model ESD characterization is not performed on plastic molded packages with body sizes smaller than 2 x 2 mm due to the inability of a small package body to acquire and retain enough charge to meet the minimum CDM discharge current waveform characteristic defined in JEDEC JS-002-2018
4. Not subjected to production testing.

**Table 4. THERMAL RESISTANCE RATINGS**

Parameter	Symbol	Max. Value	Units
Thermal Resistance			$^\circ\text{C}/\text{W}$
Junction-to-Lead (Note 5)	$R_{\theta JL}$	27.3	
Junction-to-Ambient (Note 5)	$R_{\theta JA}$	49.9	
Junction-to-Ambient (Note 6)	$R_{\theta JA}$	63.3	

5. 645 mm<sup>2</sup> pad size, mounted on four-layer 2s2p PCB – FR4, 2 oz. Cu thickness for top and bottom layers and 1 oz. Cu thickness for inner layers (planes not electrically connected)
6. 2 cm<sup>2</sup> pad size, mounted on two-layer 2s0p PCB – FR4, 2 oz. Cu thickness (planes not electrically connected)

# NCV84045

## ELECTRICAL CHARACTERISTICS (7 V ≤ V<sub>D</sub> ≤ 28 V; -40°C < T<sub>J</sub> < 150°C unless otherwise specified)

**Table 5. POWER**

Rating	Symbol	Conditions	Value			Unit
			Min	Typ	Max	
Operating Supply Voltage	V <sub>D</sub>		4	-	28	V
Undervoltage Shutdown	V <sub>UV</sub>		-	3.5	4	V
Undervoltage Shutdown Hysteresis	V <sub>UV_hyst</sub>		-	0.4	-	V
On Resistance	R <sub>ON</sub>	I <sub>OUT</sub> = 3.5 A, T <sub>J</sub> = 25°C	-	50	-	mΩ
		I <sub>OUT</sub> = 3.5 A, T <sub>J</sub> = 150°C	-	-	110	
		I <sub>OUT</sub> = 3.5 A, V <sub>D</sub> = 4.5 V, T <sub>J</sub> = 25°C	-	-	105	
Supply Current (Note 7)	I <sub>D</sub>	OFF-state: V <sub>D</sub> = 13 V, V <sub>IN</sub> = V <sub>OUT</sub> = 0 V, T <sub>J</sub> = 25°C	-	0.2	0.5	μA
		OFF-state: V <sub>D</sub> = 13 V, V <sub>IN</sub> = V <sub>OUT</sub> = 0 V, T <sub>J</sub> = 85°C (Note 8)	-	0.2	0.5	μA
		OFF-state: V <sub>D</sub> = 13 V, V <sub>IN</sub> = V <sub>OUT</sub> = 0 V, T <sub>J</sub> = 125°C	-	-	3	μA
		ON-state: V <sub>D</sub> = 13 V, V <sub>IN</sub> = 5 V, I <sub>OUT</sub> = 0 A	-	1.9	3.5	mA
On State Ground Current	I <sub>GND(ON)</sub>	V <sub>D</sub> = 13 V, V <sub>CS_EN</sub> = 5 V, V <sub>IN</sub> = 5 V, I <sub>OUT</sub> = 1 A	-	-	6	mA
Output Leakage Current	I <sub>L</sub>	V <sub>IN</sub> = V <sub>OUT</sub> = 0 V, V <sub>D</sub> = 13 V, T <sub>J</sub> = 25°C	-	-	0.5	μA
		V <sub>IN</sub> = V <sub>OUT</sub> = 0 V, V <sub>D</sub> = 13 V, T <sub>J</sub> = 125°C	-	-	3	

Product parametric performance is indicated in the Electrical Characteristics for the listed test conditions, unless otherwise noted. Product performance may not be indicated by the Electrical Characteristics if operated under different conditions.

7. Includes PowerMOS leakage current.

8. Not subjected to production testing.

**Table 6. LOGIC INPUTS (V<sub>D</sub> = 13.5 V; -40°C < T<sub>J</sub> < 150°C)**

Rating	Symbol	Conditions	Value			Unit
			Min	Typ	Max	
Input Voltage – Low	V <sub>in_low</sub>		-	-	0.9	V
Input Current – Low	I <sub>in_low</sub>	V <sub>IN</sub> = 0.9 V	1	-	-	μA
Input Voltage – High	V <sub>in_high</sub>		2.1	-	-	V
Input Current – High	I <sub>in_high</sub>	V <sub>IN</sub> = 2.1 V	-	-	10	μA
Input Hysteresis Voltage	V <sub>in_hyst</sub>		-	0.2	-	V
Input Clamp Voltage	V <sub>in_cl</sub>	I <sub>IN</sub> = 1 mA	12	13	14	V
		I <sub>IN</sub> = -1 mA	-14	-13	-12	
CS_EN Voltage – Low	V <sub>CSE_low</sub>		-	-	0.9	V
CS_EN Current – Low	I <sub>CSE_low</sub>	V <sub>CS_EN</sub> = 0.9 V	1	-	-	μA
CS_EN Voltage – High	V <sub>CSE_high</sub>		2.1	-	-	V
CS_EN Current – High	I <sub>CSE_high</sub>	V <sub>CS_EN</sub> = 2.1 V	-	-	10	μA
CS_EN Hysteresis Voltage	V <sub>CSE_hyst</sub>		-	0.2	-	V
CS_EN Clamp Voltage	V <sub>CSE_cl</sub>	I <sub>CS_EN</sub> = 1 mA	12	13	14	V
		I <sub>CS_EN</sub> = -1 mA	-14	-13	-12	

# NCV84045

**Table 7. SWITCHING CHARACTERISTICS** ( $V_D = 13\text{ V}$ ,  $-40^\circ\text{C} < T_J < 150^\circ\text{C}$ )

Rating	Symbol	Conditions	Value			Unit
			Min	Typ	Max	
Turn-On Delay Time	$t_{d\_on}$	$V_{IN}$ high to 20% $V_{OUT}$ , $R_L = 6.5\ \Omega$ , $T_J = 25^\circ\text{C}$	5	60	120	$\mu\text{s}$
Turn-Off Delay Time	$t_{d\_off}$	$V_{IN}$ low to 80% $V_{OUT}$ , $R_L = 6.5\ \Omega$ , $T_J = 25^\circ\text{C}$	5	40	100	$\mu\text{s}$
Slew Rate On	$dV_{out}/dt_{on}$	20% to 80% $V_{OUT}$ , $R_L = 6.5\ \Omega$ , $T_J = 25^\circ\text{C}$	0.1	0.27	0.7	$\text{V} / \mu\text{s}$
Slew Rate Off	$dV_{out}/dt_{off}$	80% to 20% $V_{OUT}$ , $R_L = 6.5\ \Omega$ , $T_J = 25^\circ\text{C}$	0.1	0.35	0.7	$\text{V} / \mu\text{s}$
Turn-On Switching Loss (Note 9)	$E_{on}$	$R_L = 6.5\ \Omega$	–	0.15	0.33	mJ
Turn-Off Switching Loss (Note 9)	$E_{off}$	$R_L = 6.5\ \Omega$	–	0.1	0.33	mJ
Differential Pulse Skew, ( $t_{(OFF)} - t_{(ON)}$ ) see Figure 4 (Switching Characteristics)	$t_{skew}$	$R_L = 6.5\ \Omega$	-50	–	50	$\mu\text{s}$

9. Not subjected to production testing.

**Table 8. OUTPUT DIODE CHARACTERISTICS**

Rating	Symbol	Conditions	Value			Unit
			Min	Typ	Max	
Forward Voltage	$V_F$	$I_{OUT} = -2\text{ A}$ , $T_J = 150^\circ\text{C}$ , $V_F = V_{OUT} - V_D$	–	–	0.7	V

**Table 9. PROTECTION FUNCTIONS** (Note 10) ( $7\text{ V} \leq V_D \leq 18\text{ V}$ ,  $-40^\circ\text{C} < T_J < 150^\circ\text{C}$ )

Rating	Symbol	Conditions	Value			Unit
			Min	Typ	Max	
Temperature Shutdown (Note 11)	$T_{SD}$		150	175	200	$^\circ\text{C}$
Temperature Shutdown Hysteresis ( $T_{SD} - T_R$ ) (Note 11)	$T_{SD\_hyst}$		–	7	–	$^\circ\text{C}$
Reset Temperature (Note 11)	$T_R$		$T_{RS}+1$	$T_{RS}+7$	–	$^\circ\text{C}$
Thermal Reset of Status (Note 11)	$T_{RS}$		135	–	–	$^\circ\text{C}$
Delta T Temperature Limit (Note 11)	$T_{DELTA}$	$T_J = -40^\circ\text{C}$ , $V_D = 13\text{ V}$	–	60	–	$^\circ\text{C}$
DC Output Current Limit	$I_{limH}$	$V_D = 13\text{ V}$	22	32	46	A
		$4\text{ V} < V_D < 18\text{ V}$	–	–	46	A
Short Circuit Current Limit during Thermal Cycling (Note 11)	$I_{limTCycling}$	$V_D = 13\text{ V}$ $T_R < T_J < T_{TSD}$	–	11	–	A
Switch Off Output Clamp Voltage	$V_{out\_clamp}$	$I_{OUT} = 0.5\text{ A}$ , $V_{IN} = 0\text{ V}$ , $L = 20\text{ mH}$	$V_D - 41$	$V_D - 46$	$V_D - 52$	V
Overshoot Protection	$V_{OV}$	$V_{IN} = 0\text{ V}$ , $I_D = 20\text{ mA}$	41	46	52	V
Output Voltage Drop Limitation	$V_{DS\_ON}$	$I_{OUT} = 0.2\text{ A}$	–	20	–	mV

10. To ensure long term reliability during overload or short circuit conditions, protection and related diagnostic signals must be used together with a fitting hardware & software strategy. If the device operates under abnormal conditions, this hardware & software solution must limit the duration and number of activation cycles.

11. Not subjected to production testing.

**Table 10. OPEN-LOAD DETECTION** ( $7\text{ V} \leq V_D \leq 18\text{ V}$ ,  $-40^\circ\text{C} < T_J < 150^\circ\text{C}$ )

Rating	Symbol	Conditions	Value			Unit
			Min	Typ	Max	
Open-load Off State Detection Threshold	$V_{OL}$	$V_{IN} = 0\text{ V}$ , $V_{CS\_EN} = 5\text{ V}$	2	–	4	V
Open-load Detection Delay at Turn Off	$t_{d\_OL\_off}$		100	350	850	$\mu\text{s}$
Off State Output Current	$I_{OLOFF1}$	$V_{IN} = 0\text{ V}$ , $V_{OUT} = V_{OL}$	-3	–	6	$\mu\text{A}$
Output rising edge to CS rising edge during open load	$t_{d\_OL}$	$V_{OUT} = 4\text{ V}$ , $V_{IN} = 0\text{ V}$ $V_{CS} = 90\%$ of $V_{CS\_High}$	–	5	30	$\mu\text{s}$

# NCV84045

**Table 11. CURRENT SENSE CHARACTERISTICS** ( $7\text{ V} \leq V_D \leq 18\text{ V}$ ,  $-40^\circ\text{C} < T_J < 150^\circ\text{C}$ )

Rating	Symbol	Conditions	Value			Unit
			Min	Typ	Max	
Current Sense Ratio	$K_0$	$I_{OUT} = 0.010\text{ A}$ , $V_{CS} = 0.5\text{ V}$ , $V_{CS\_EN} = 5\text{ V}$	390	1000	–	
Current Sense Ratio	$K_1$	$I_{OUT} = 0.05\text{ A}$ , $V_{CS} = 0.5\text{ V}$ , $V_{CS\_EN} = 5\text{ V}$	350	860	1800	
Current Sense Ratio Drift (Note 13)	$\Delta K_1 / K_1$	$I_{OUT} = 0.05\text{ A}$ , $V_{CS} = 0.5\text{ V}$ , $V_{CS\_EN} = 5\text{ V}$	–25	–	25	%
Current Sense Ratio	$K_2$	$I_{OUT} = 0.5\text{ A}$ , $V_{CS} = 4\text{ V}$ , $V_{CS\_EN} = 5\text{ V}$	500	1210	1740	
Current Sense Ratio Drift (Note 13)	$\Delta K_2 / K_2$	$I_{OUT} = 0.5\text{ A}$ , $V_{CS\_EN} = 5\text{ V}$	–20	–	20	%
Current Sense Ratio	$K_3$	$I_{OUT} = 0.7\text{ A}$ , $V_{CS} = 4\text{ V}$ , $V_{CS\_EN} = 5\text{ V}$	760	1220	1630	
Current Sense Ratio Drift (Note 13)	$\Delta K_3 / K_3$	$I_{OUT} = 0.7\text{ A}$ , $V_{CS\_EN} = 5\text{ V}$	–15	–	15	%
Current Sense Ratio	$K_4$	$I_{OUT} = 1.5\text{ A}$ , $V_{CS} = 4\text{ V}$ , $V_{CS\_EN} = 5\text{ V}$	970	1230	1420	
Current Sense Ratio Drift (Note 13)	$\Delta K_4 / K_4$	$I_{OUT} = 1.5\text{ A}$ , $V_{CS\_EN} = 5\text{ V}$	–10	–	10	%
Current Sense Ratio	$K_5$	$I_{OUT} = 4.5\text{ A}$ , $V_{CS} = 4\text{ V}$ , $V_{CS\_EN} = 5\text{ V}$	1090	1230	1340	
Current Sense Ratio Drift (Note 13)	$\Delta K_5 / K_5$	$I_{OUT} = 4.5\text{ A}$ , $V_{CS\_EN} = 5\text{ V}$	–5	–	5	%
Current Sense Leakage Current	$CS_{Ilkg}$	$I_{OUT} = 0\text{ A}$ , $V_{CS} = 0\text{ V}$ $V_{CS\_EN} = 5\text{ V}$ , $V_{IN} = 0\text{ V}$	–	–	1	$\mu\text{A}$
		$I_{OUT} = 0\text{ A}$ , $V_{CS} = 0\text{ V}$ $V_{CS\_EN} = 5\text{ V}$ , $V_{IN} = 5\text{ V}$	–	–	2	
		$I_{OUT} = 2\text{ A}$ , $V_{CS} = 0\text{ V}$ $V_{CS\_EN} = 0\text{ V}$ , $V_{IN} = 5\text{ V}$	–	–	0.5	
CS Max Voltage	$CS_{Max}$	$V_D = 7\text{ V}$ , $V_{IN} = 5\text{ V}$ , $R_{CS} = 15\text{ k}\Omega$ , $I_{OUT} = 2\text{ A}$ , $T_J = 150^\circ\text{C}$ , $V_{CS\_EN} = 5\text{ V}$	5	–	7	V
Current Sense Voltage in Fault Condition (Note 12)	$V_{CS\_fault}$	$V_D = 13\text{ V}$ , $V_{IN} = 0\text{ V}$ , $R_{CS} = 1\text{ k}$ , $V_{OUT} = 4\text{ V}$ , $V_{CS\_EN} = 5\text{ V}$	–	10	–	V
Current Sense Current in Fault Condition (Note 12)	$I_{CS\_fault}$	$V_D = 13\text{ V}$ , $V_{CS} = 5\text{ V}$ , $V_{IN} = 0\text{ V}$ , $V_{OUT} = 4\text{ V}$ , $V_{CS\_EN} = 5\text{ V}$	7	20	30	mA
Output Saturation Current (Note 13)	$I_{OUT\_sat}$	$V_D = 7\text{ V}$ , $V_{CS} = 4\text{ V}$ , $V_{IN} = 5\text{ V}$ , $T_J = 150^\circ\text{C}$ , $V_{CS\_EN} = 5\text{ V}$	5.3	–	–	A
CS_EN High to CS High Delay Time	$t_{CS\_High1}$	$V_{IN} = 5\text{ V}$ , $V_{CS\_EN} = 0\text{ to }5\text{ V}$ , $R_{CS} = 1\text{ k}\Omega$ , $R_L = 6.5\ \Omega$	–	10	60	$\mu\text{s}$
CS_EN Low to CS Low Delay Time	$t_{CS\_Low1}$	$V_{IN} = 5\text{ V}$ , $V_{CS\_EN} = 5\text{ to }0\text{ V}$ , $R_{CS} = 1\text{ k}\Omega$ , $R_L = 6.5\ \Omega$	–	5	25	$\mu\text{s}$
$V_{IN}$ High to CS High Delay Time	$t_{CS\_High2}$	$V_{IN} = 0\text{ to }5\text{ V}$ , $V_{CS\_EN} = 5\text{ V}$ , $R_{CS} = 1\text{ k}\Omega$ , $R_L = 6.5\ \Omega$	–	100	250	$\mu\text{s}$
$V_{IN}$ Low to CS Low Delay Time	$t_{CS\_Low2}$	$V_{IN} = 5\text{ to }0\text{ V}$ , $V_{CS\_EN} = 5\text{ V}$ , $R_{CS} = 1\text{ k}\Omega$ , $R_L = 6.5\ \Omega$	–	50	250	$\mu\text{s}$
Delay Time $I_D$ Rising Edge to Rising Edge of CS	$\Delta t_{CS\_High2}$	$R_L = 6.5\ \Omega$ , $R_{CS} = 1\text{ k}\Omega$ , $V_{IN} = 5\text{ V}$ , $I_{OUT} = 200\text{ mA}$ , $I_{CS} = 50\%$ of $I_{CSMAX}$	–	–	100	$\mu\text{s}$

12. The following fault conditions included are: Over-temperature, Power Limitation, and OFF State Open-Load Detection.

13. Not subjected to production testing.

# NCV84045

**Table 12. TRUTH TABLE**

Conditions	Input	Output	CS ( $V_{CS\_EN} = 5\text{ V}$ ) (Note 14)
Normal Operation	L H	L H	0 $I_{CS} = I_{OUT}/K_{NOMINAL}$
Overtemperature	L H	L L	0 $V_{CS\_fault}$
Undervoltage	L H	L L	0 0
Overload	H H	H (no active current mgmt) Cycling (active current mgmt)	$I_{CS} = I_{OUT}/K_{NOMINAL}$ $V_{CS\_fault}$
Short circuit to Ground	L H	L L	0 $V_{CS\_fault}$
OFF State Open Load	L	H	$V_{CS\_fault}$

14. If  $V_{CS\_EN}$  is low, the Current Sense output is at a high impedance, its potential depends on leakage currents and external circuitry.



WAVEFORMS AND GRAPHS

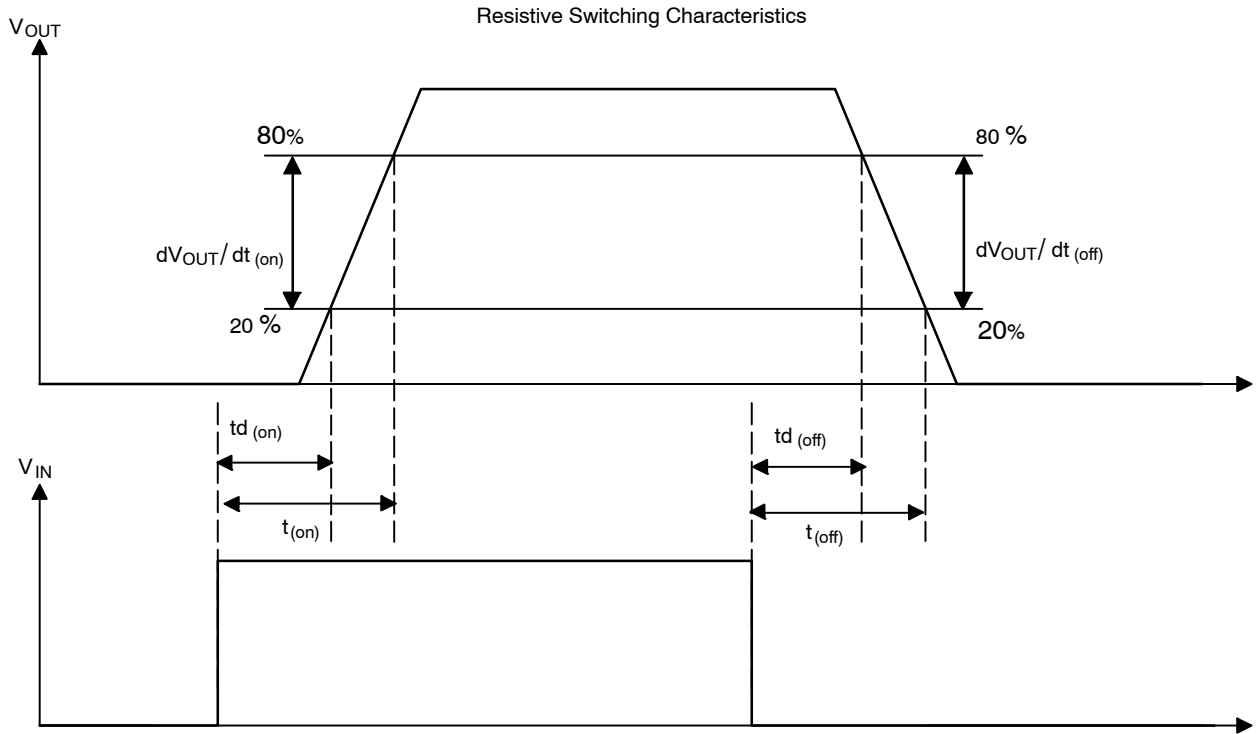


Figure 4. Switching Characteristics

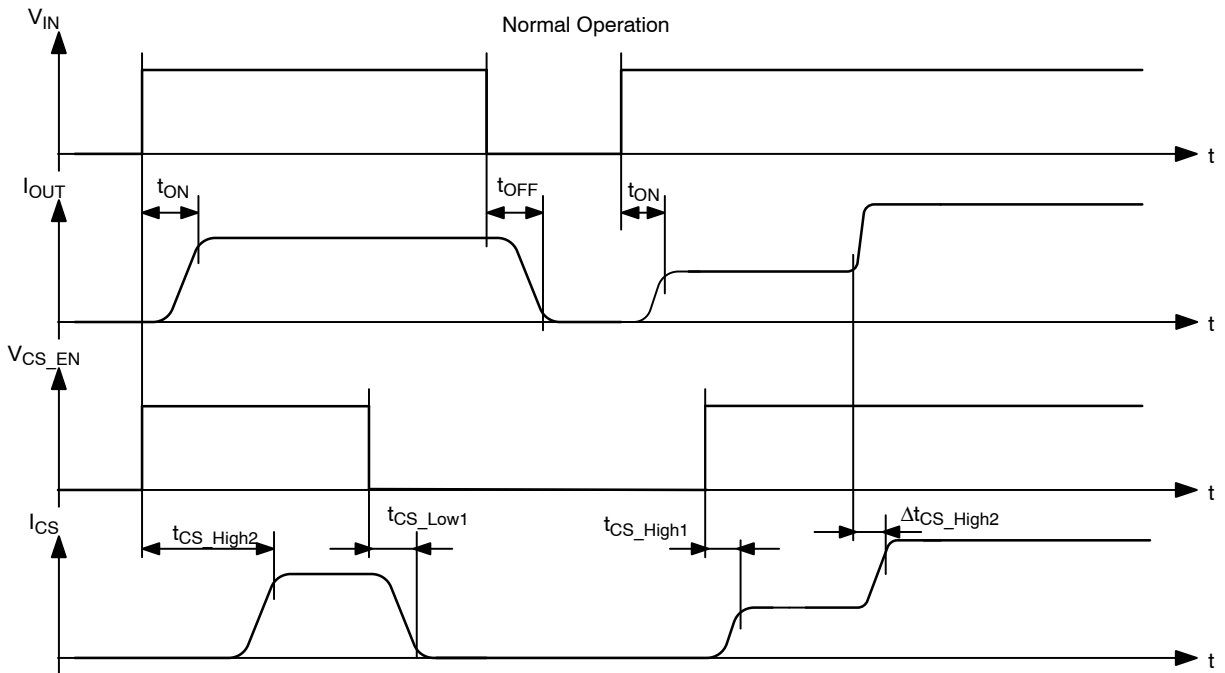


Figure 5. Normal Operation with Current Sense Timing Characteristics

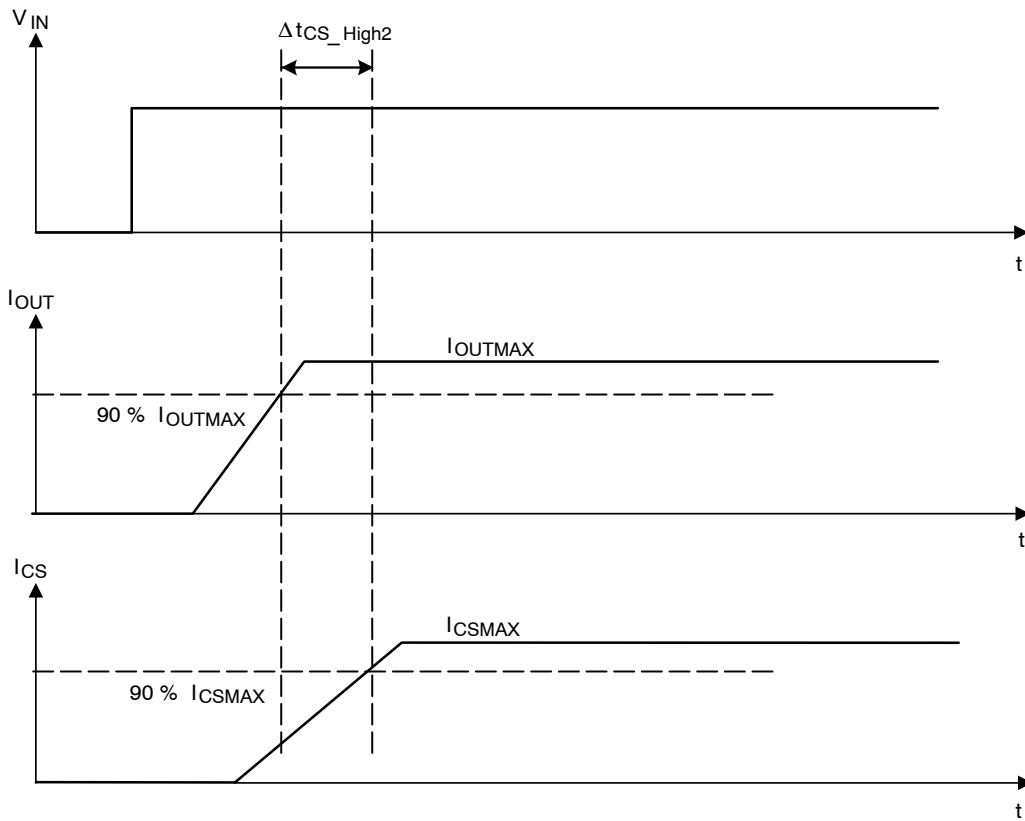


Figure 6. Delay Response from Rising Edge of IOUT and Rising Edge of CS (for CS\_EN = 5V)

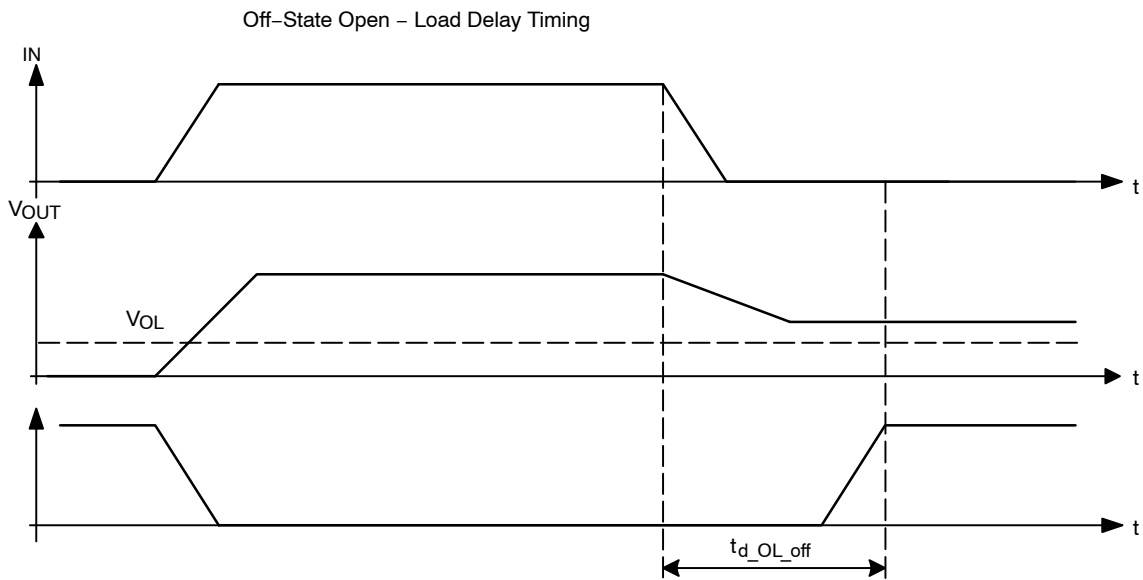


Figure 7. OFF-State Open-Load Flag Delay Timing

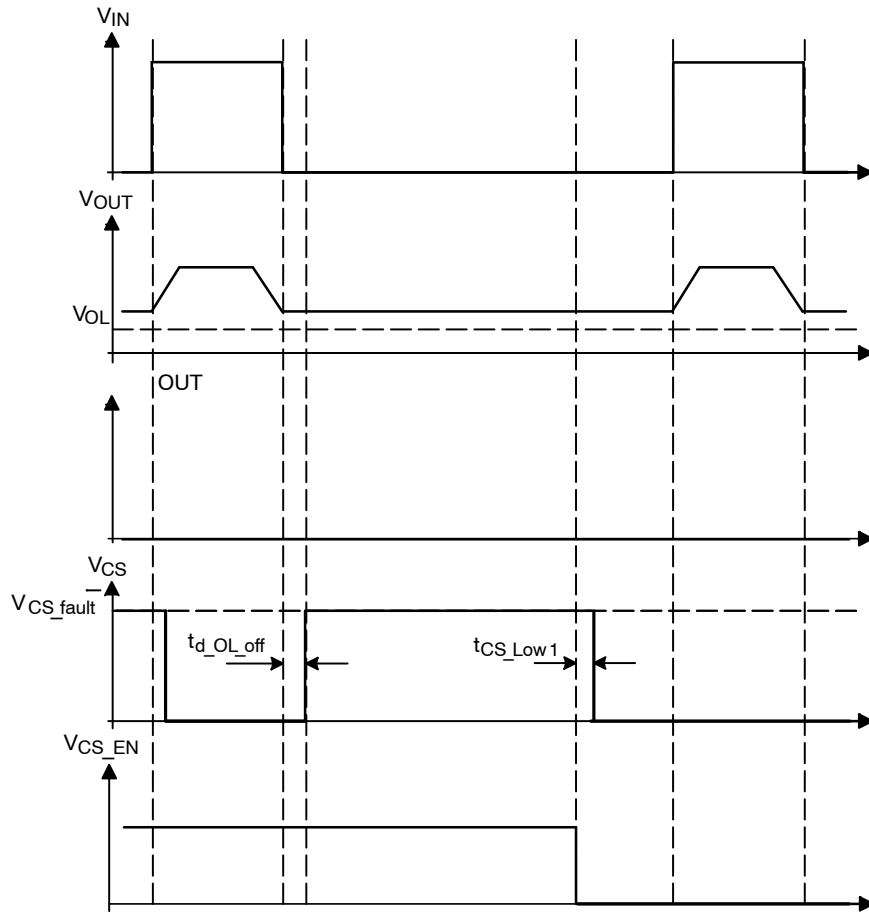


Figure 8. Off-State Open-Load with Added External Components

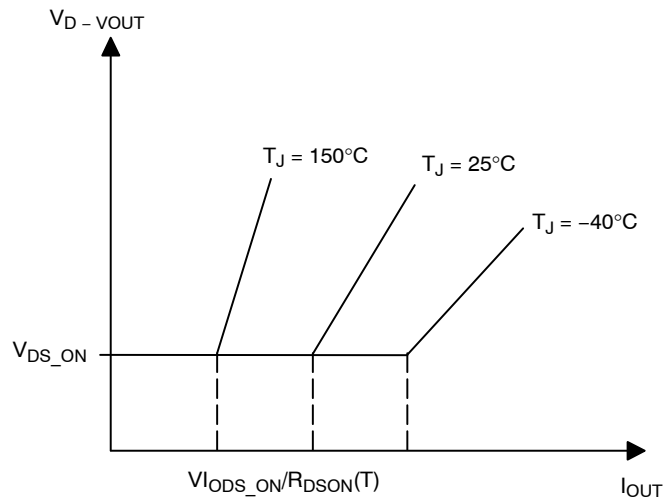


Figure 9. Voltage Drop Limitation for V<sub>DS\_ON</sub>

# NCV84045

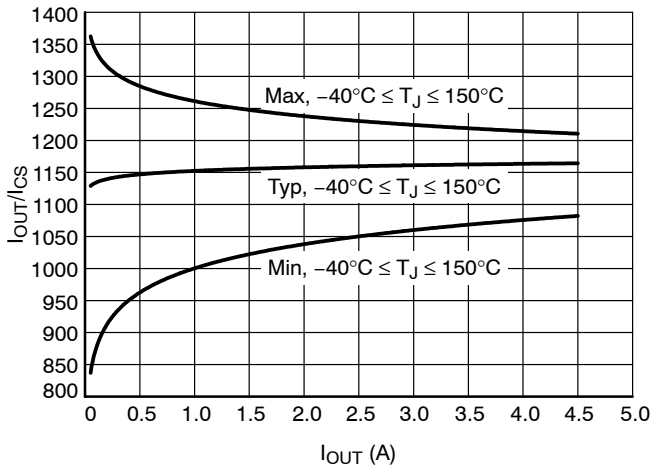


Figure 10.  $I_{OUT}/I_{CS}$  vs.  $I_{OUT}$

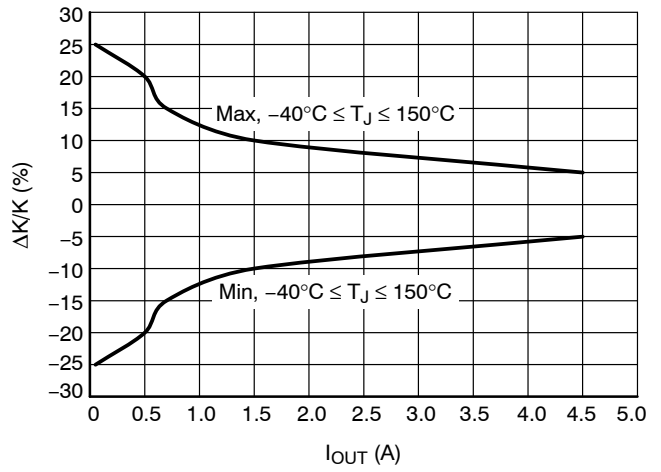


Figure 11. Maximum Current Sense Ratio Drift vs. Load Current

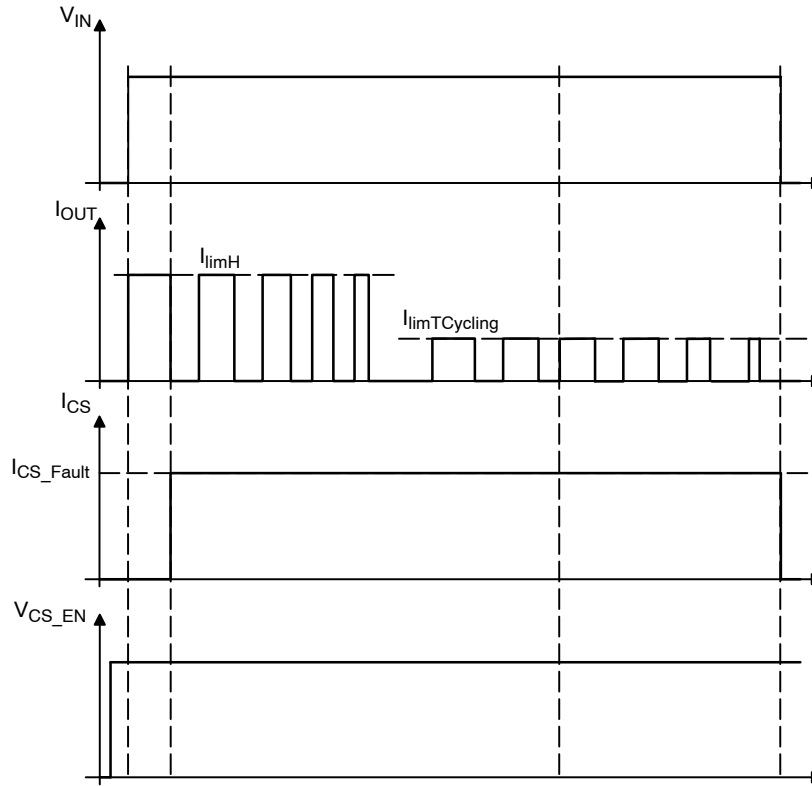


Figure 12. Short to GND or Overload

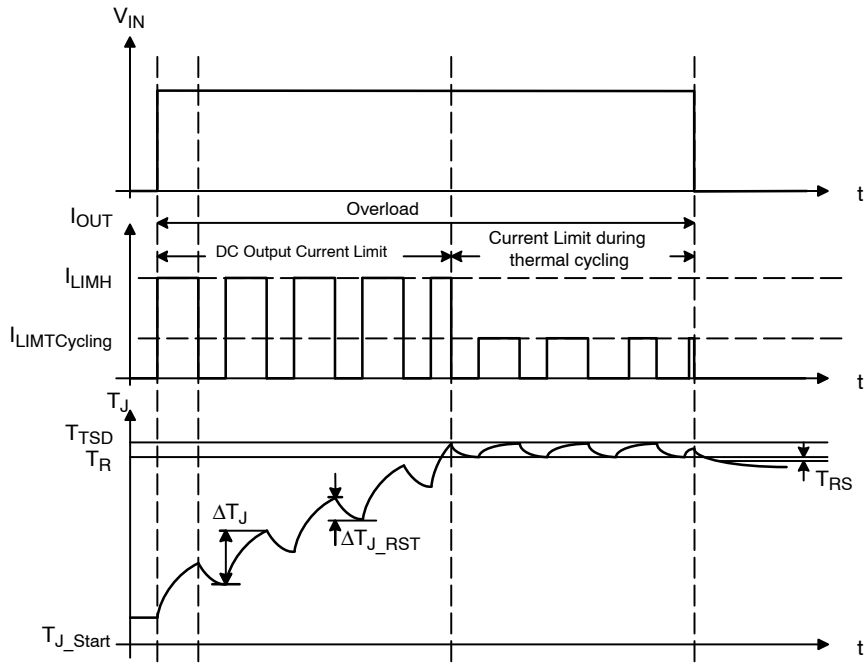


Figure 13. How  $T_J$  progresses During Short to GND or Overload

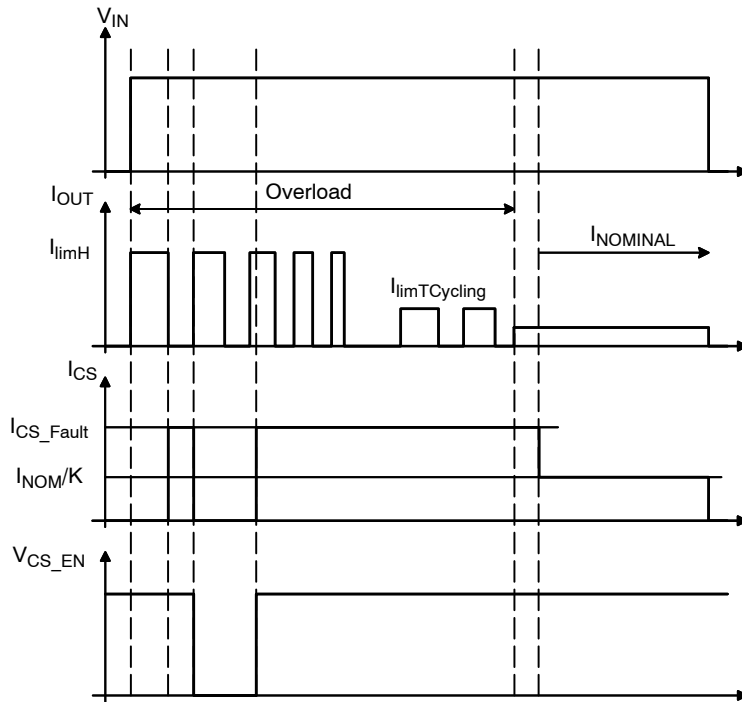


Figure 14. Discontinuous Overload or Short to GND

# NCV84045

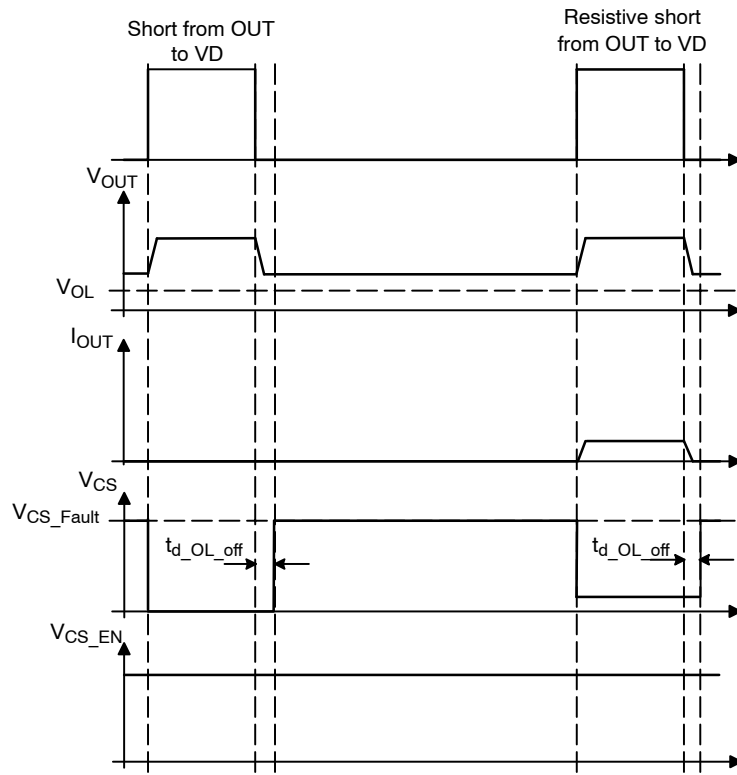


Figure 15. Short Circuit from OUT to VD

TYPICAL CHARACTERISTICS

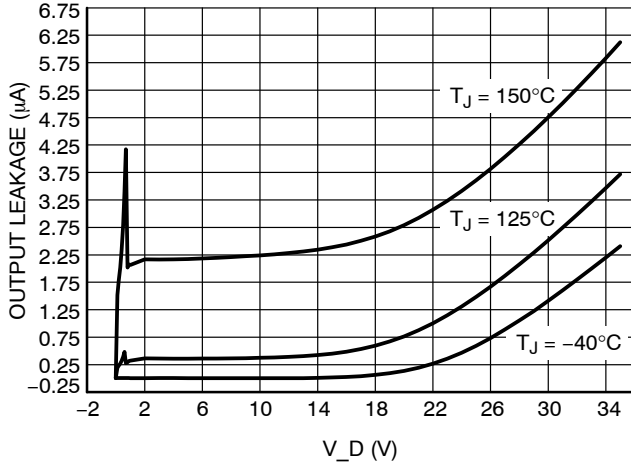


Figure 16. Output Leakage Current vs. VD Voltage & Temperature, V\_OUT = 0 V

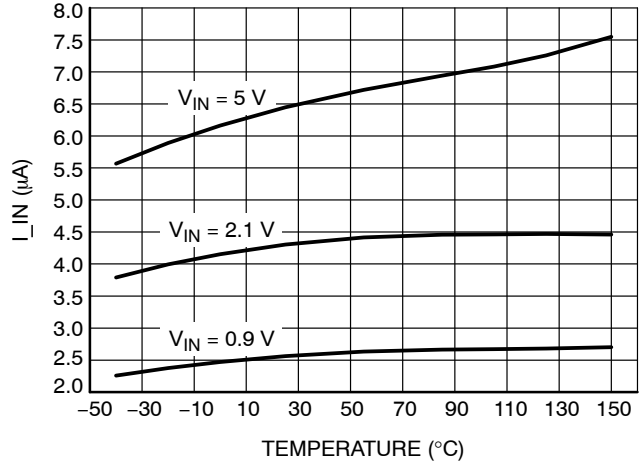


Figure 17. Input Current vs. Temperature

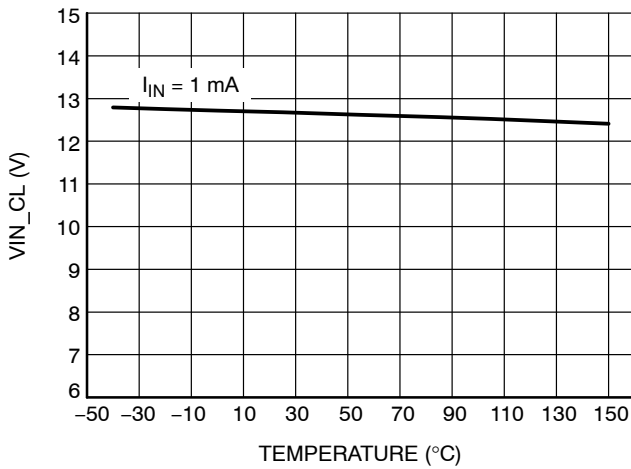


Figure 18. Input Clamp Voltage (Positive) vs. Temperature

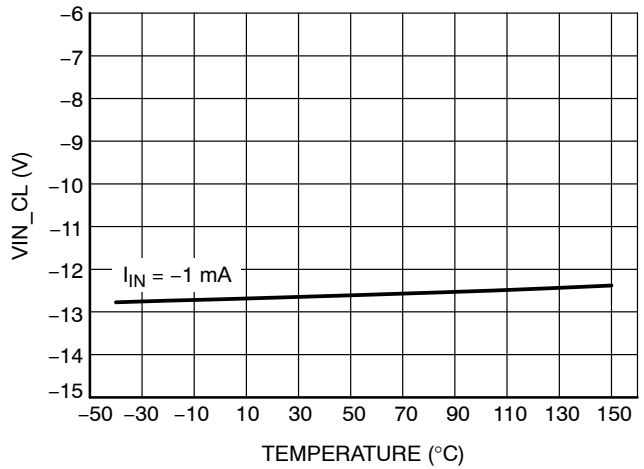


Figure 19. Input Clamp Voltage (Negative) vs. Temperature

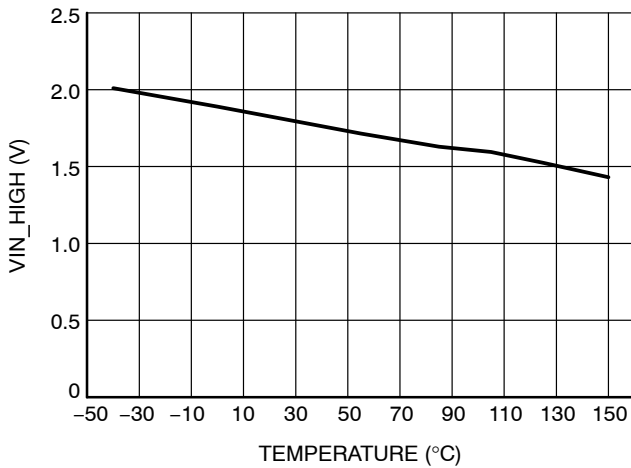


Figure 20. V\_IN Threshold High vs. Temperature

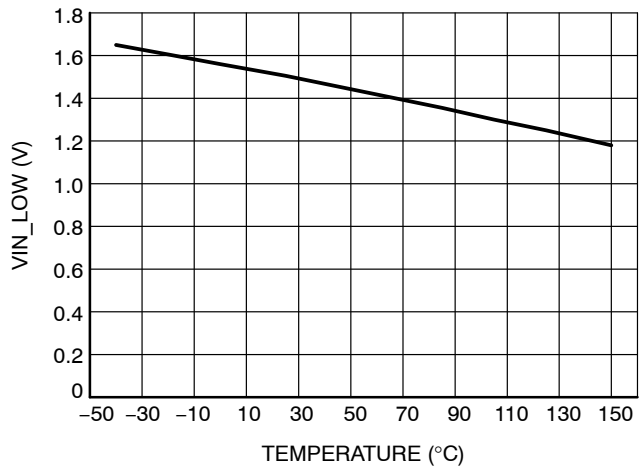


Figure 21. V\_IN Threshold Low vs. Temperature

TYPICAL CHARACTERISTICS

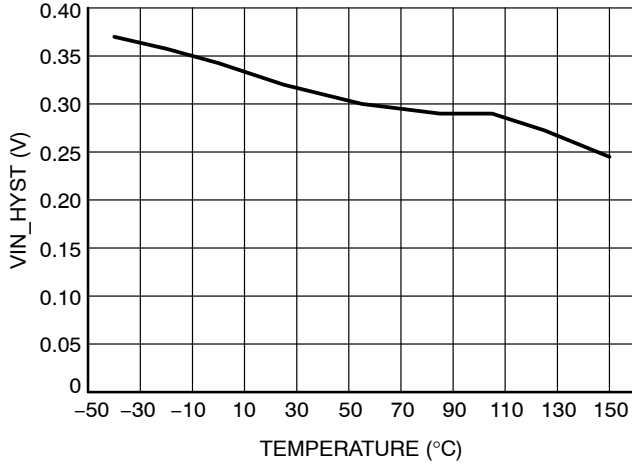


Figure 22. Hysteresis Input Voltage vs. Temperature

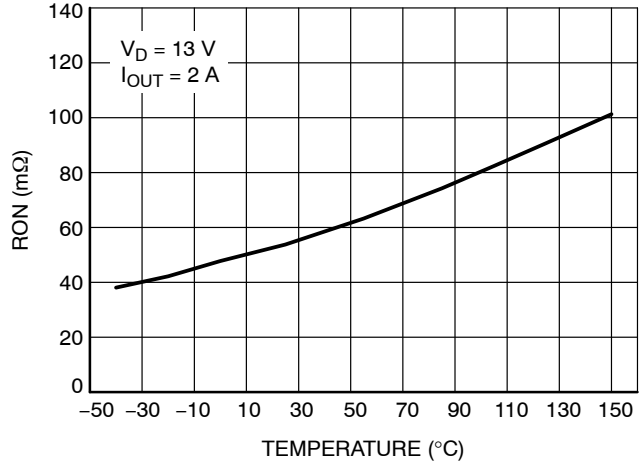


Figure 23. RON vs. Temperature

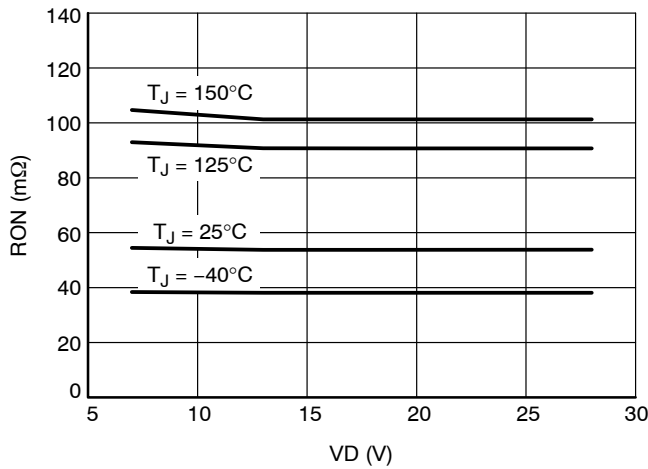


Figure 24. RON vs. V\_D Voltage

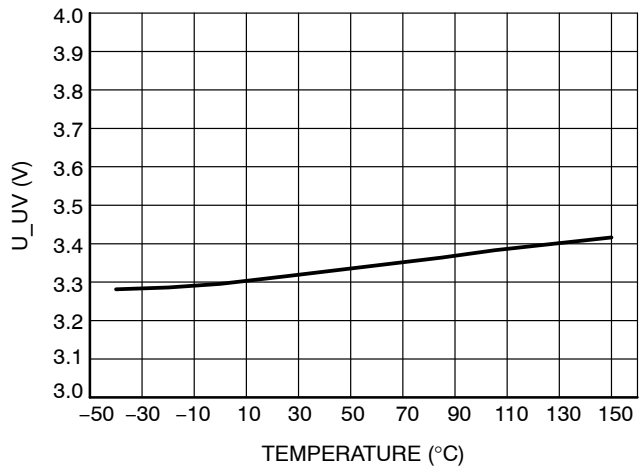


Figure 25. Undervoltage Shutdown vs. Temperature

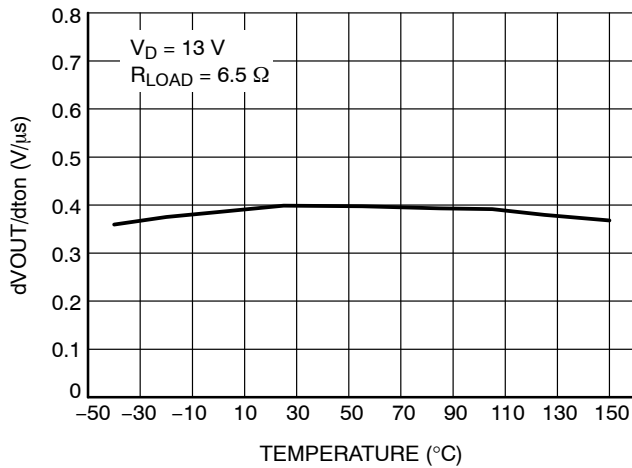


Figure 26. Slew Rate ON vs. Temperature

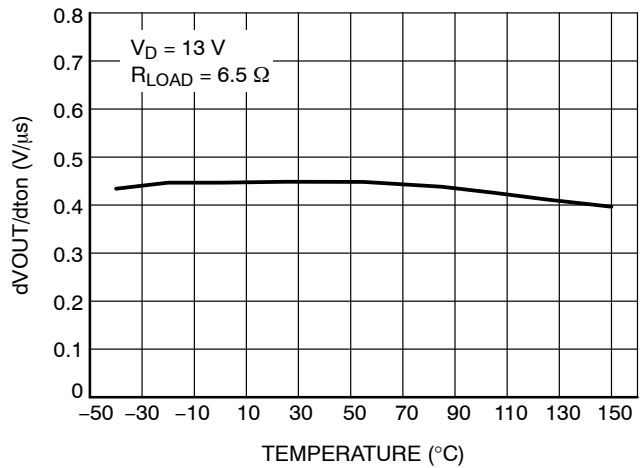


Figure 27. Slew Rate OFF vs. Temperature



TYPICAL CHARACTERISTICS

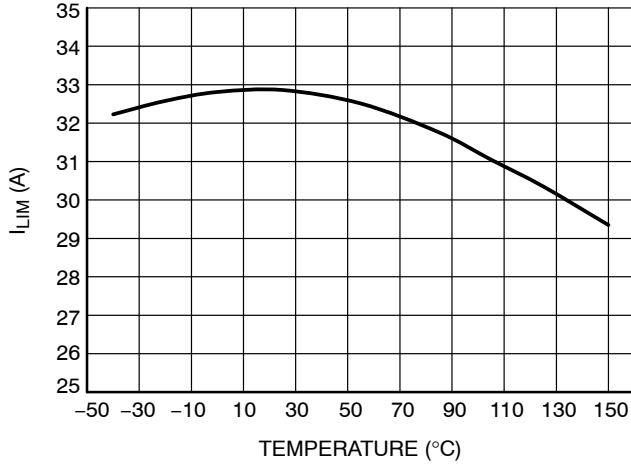


Figure 28. Current Limit vs. Temperature

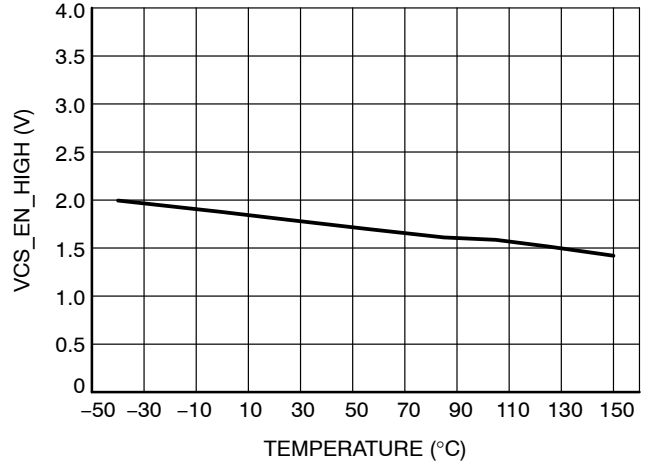


Figure 29. CS\_EN Threshold High vs. Temperature

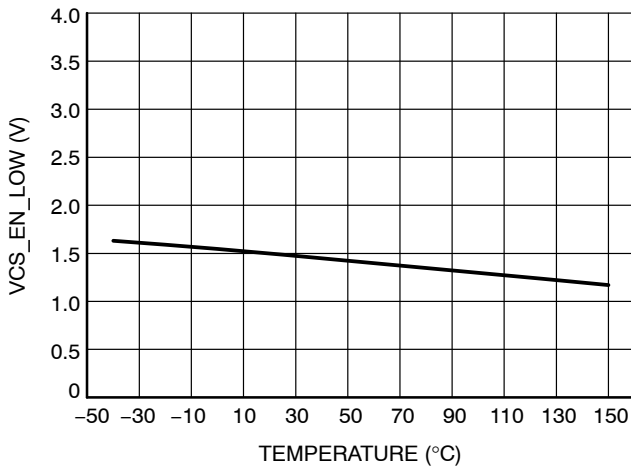


Figure 30. CS\_EN Threshold Low vs. Temperature

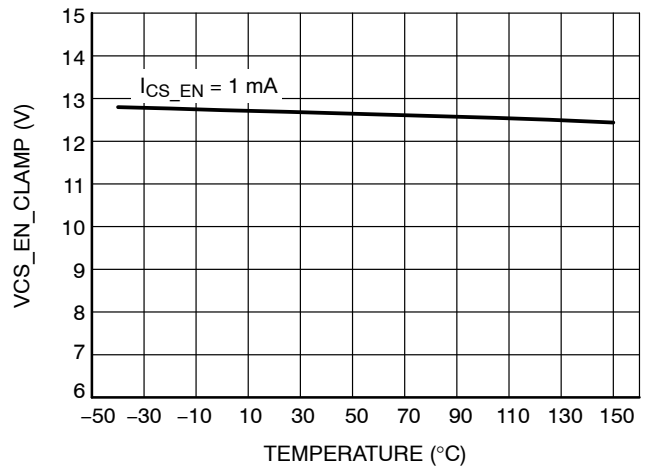


Figure 31. CS\_EN Clamp Voltage (Positive) vs. Temperature

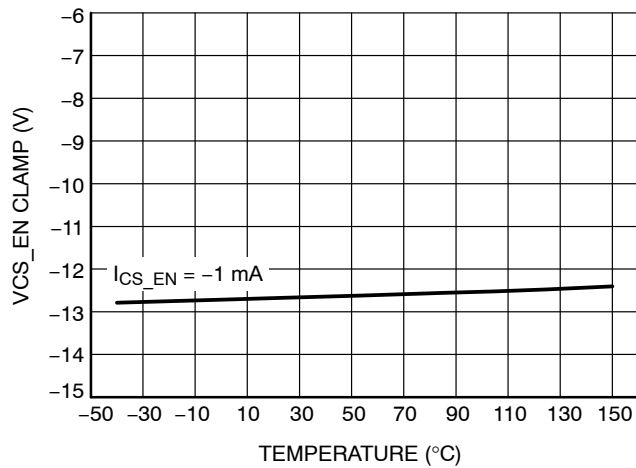


Figure 32. CS\_EN Clamp Voltage (Negative) vs. Temperature

Table 13. ISO 7637–2: 2011(E) PULSE TEST RESULTS

ISO 7637–2:2011(E) Test Pulse	Test Severity Levels, 12 V System			Delays and Impedance	# of Pulses or Test Time	Pulse / Burst Rep. Time
	I / II	III	IV			
1	-75	-112	-150	2 ms, 10 Ω	500 pulses	0.5 s
2a	+37	+55	+112	0.05 ms, 2 Ω	500 pulses	0.5 s
3a	-112	-165	-220	0.1 μs, 50 Ω	1 h	100 ms
3b	+75	+112	+150	0.1 μs, 50 Ω	1 h	100 ms

ISO 7637–2:2011(E)	Test Results		
Test Pulse	I / II	III	IV
1			A
2a			C
3a			A
3b			A

Class	Functional Status
A	All functions of a device perform as designed during and after exposure to disturbance.
B	All functions of a device perform as designed during exposure. However, one or more of them can go beyond specified tolerance. All functions return automatically to within normal limits after exposure is removed. Memory functions shall remain class A.
C	One or more functions of a device do not perform as designed during exposure but return automatically to normal operation after exposure is removed.
D	One or more functions of a device do not perform as designed during exposure and do not return to normal operation until exposure is removed and the device is reset by simple "operator/use" action.
E	One or more functions of a device do not perform as designed during and after exposure and cannot be returned to proper operation without replacing the device.

APPLICATION INFORMATION

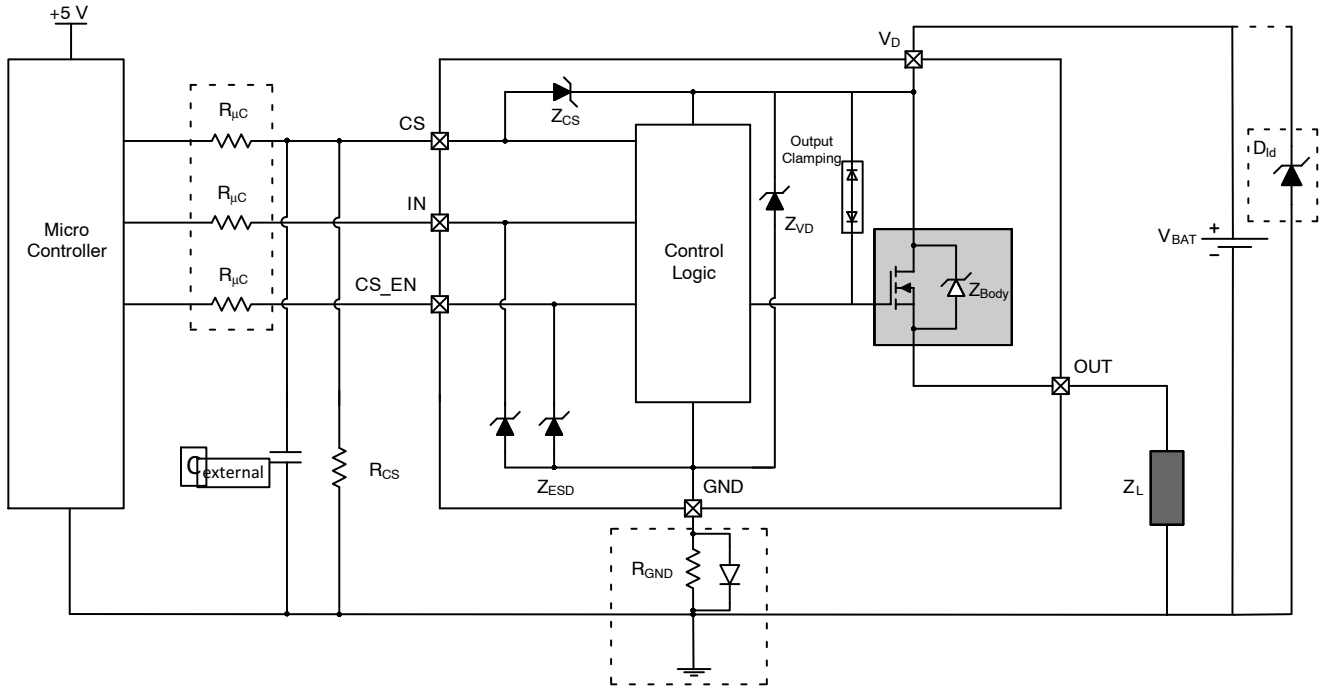


Figure 33. Application Schematic

**LOSS OF GROUND PROTECTION**

When device or ECU ground connection is lost and load is still connected to ground, the device will turn the output OFF. In loss of ground state, the output stage is held OFF independent of the state of the input. Input resistors are recommended between the device and microcontroller.

**Reverse Battery Protection**

*Solution 1: Resistor in the GND line only (no parallel Diode)*

The following calculations are true for any type of load.

In the case for no diode in parallel with  $R_{GND}$ , the calculations below explain how to size the resistor.

Consider the following parameters:

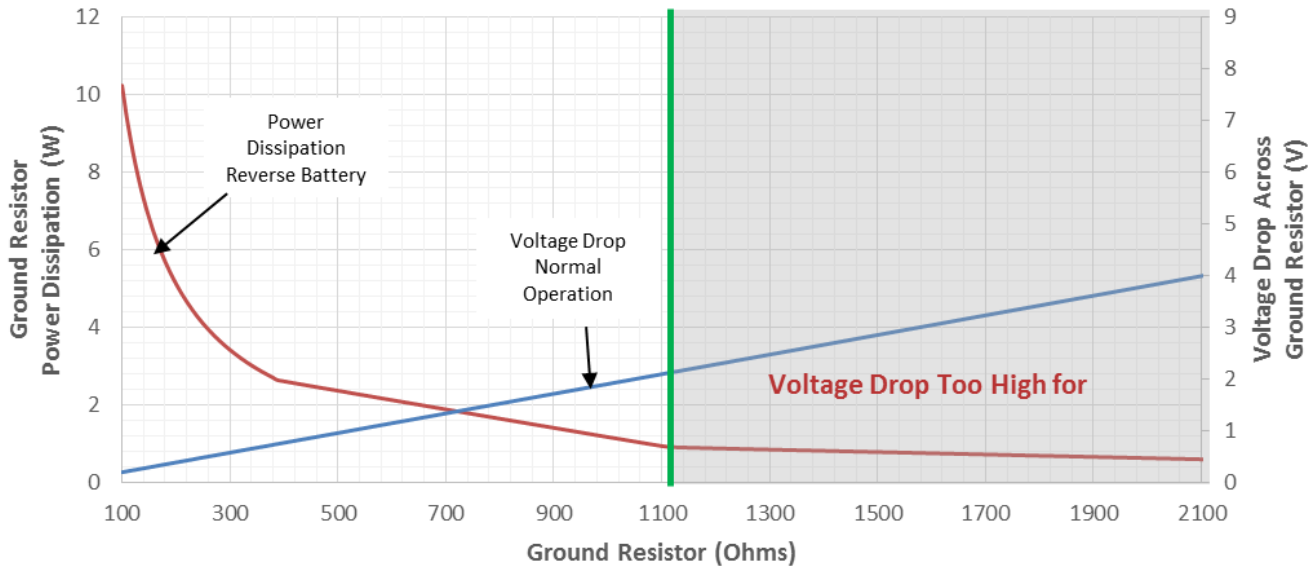
$-I_{GND}$  Maximum = 200 mA for up to  $-V_D = 32$  V.

Where  $-I_{GND}$  is the DC reverse current through the GND pin and  $-V_D$  is the DC reverse battery voltage.

$$-I_{GND} = \frac{-V_D}{R_{GND}} \quad (\text{eq. 1})$$

Since this resistor can be used amongst multiple High-Side devices, please take note the sum of the maximum active GND currents ( $I_{GND(On)max}$ ) for each device when sizing the resistor. Please note that if the microprocessor GND is not shared by the device GND, then  $R_{GND}$  produces a shift of ( $I_{GND(On)max} \times R_{GND}$ ) in the input thresholds and CS output values. If the calculated power dissipation leads to too large of a resistor size or several devices have to share the same resistor, please look at the second solution for Reverse Battery Protection. Refer to Figure 35 for selecting the proper  $R_{GND}$ .

**NCV84045 Reverse Battery Considerations**  
Normal Operation VIN = 5 V, Reverse Battery = 32 V



**Figure 34. Reverse Battery  $R_{GND}$  Considerations**

*Solution 2: Diode ( $D_{GND}$ ) in parallel with  $R_{GND}$  in the ground line.*

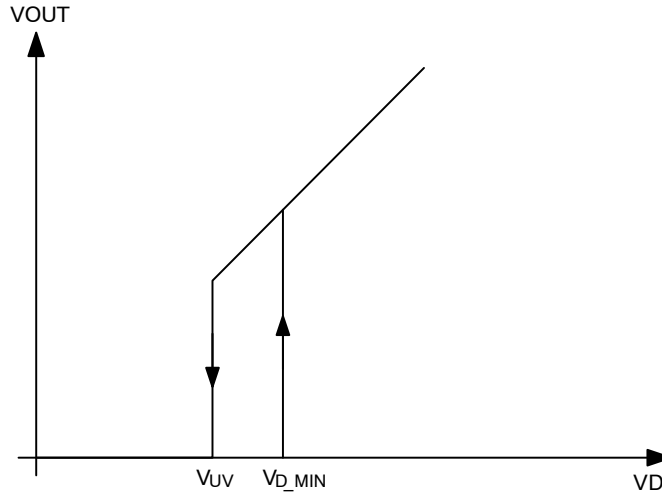
A resistor value of  $R_{GND} = 1$  kOhm should be selected and placed in parallel to  $D_{GND}$  if the device drives an inductive load. The diode ( $D_{GND}$ ) provides a ~600–700 mV shift in

the input threshold and current sense values if the micro controller ground is not common to the device ground. This shift will not vary even in the case of multiple high-side devices using the same resistor/diode network.

**UNDERVOLTAGE PROTECTION**

The device has two under-voltage threshold levels,  $V_{D\_MIN}$  and  $V_{UV}$ . Switching function (ON/OFF) requires supply voltage to be at least  $V_{D\_MIN}$ . The device features a lower supply threshold  $V_{UV}$ , above which the output can

remain in ON state. While all protection functions are guaranteed when the switch is ON, diagnostic functions are operational only within nominal supply voltage range  $V_D$ .



**Figure 35. Undervoltage Behavior**

**Overvoltage Protection**

The NCV84045 has two Zener diodes  $Z_{VD}$  and  $Z_{CS}$ , which provide integrated overvoltage protection.  $Z_{VD}$  protects the logic block by clamping the voltage between supply pin  $V_D$  and ground pin GND to  $V_{ZVD}$ .  $Z_{CS}$  limits voltage at current sense pin CS to  $V_D - V_{ZCS}$ . The output power MOSFET’s output clamping diodes provide protection by clamping the voltage across the MOSFET (between  $V_D$  pin and OUT pin) to  $V_{CLAMP}$ . During overvoltage protection, current flowing through  $Z_{VD}$ ,  $Z_{CS}$  and the output clamp must be limited. Load impedance  $Z_L$  limits the current in the body diode  $Z_{Body}$ . In order to limit the current in  $Z_{VD}$  a resistor,  $R_{GND}$  (150  $\Omega$ ), is required in the GND path. External resistors  $R_{CS}$  and  $R_{SENSE}$  limit the current flowing through  $Z_{CS}$  and out of the CS pin into the micro-controller I/O pin. With  $R_{GND}$ , the GND pin voltage is elevated to  $V_D - V_{ZVD}$  when the supply voltage  $V_D$  rises above  $V_{ZVD}$ . ESD diodes  $Z_{ESD}$  pull up the voltage at logic pins IN, CS\_EN close to the GND pin voltage  $V_D - V_{ZVD}$ . External resistors  $R_{IN}$ , and  $R_{CS\_EN}$  are required to limit the current flowing out of the logic pins into the micro-controller I/O pins. During overvoltage exposure, the device transitions into a self-protection state, with

automatic recovery after the supply voltage comes back to the normal operating range. The specified parameters as well as short circuit robustness and energy capability cannot be guaranteed during overvoltage exposure.

**Overload Protection**

Current limitation as well as overtemperature shutdown mechanisms are integrated into NCV84045 to provide protection from overload conditions such as bulb inrush or short to ground.

**Current Limitation**

In case of overload, NCV84045 limits the current in the output power MOSFET to a safe value. Due to high power dissipation during current limitation, the device’s junction temperature increases rapidly. In order to protect the device, the output driver is shut down by one of the two overtemperature protection mechanisms. The output current limit is dependent on the device temperature, and will fold back once the die reaches thermal shutdown. If the input remains active during the shutdown, the output power MOSFET will automatically be re-activated after a minimum OFF time or when the junction temperature returns to a safe level.

**Output Clamping with Inductive Load Switch Off**

The output voltage  $V_{OUT}$  drops below GND potential when switching off inductive loads. This is because the inductance develops a negative voltage across the load in response to a decaying current. The integrated clamp of the device clamps the negative output voltage to a certain level

relative to the supply voltage  $V_{BAT}$ . During output clamping with inductive load switch off, the energy stored in the inductance is rapidly dissipated in the device resulting in high power dissipation. This is a stressful condition for the device and the maximum energy allowed for a given load inductance should not be exceeded in any application.

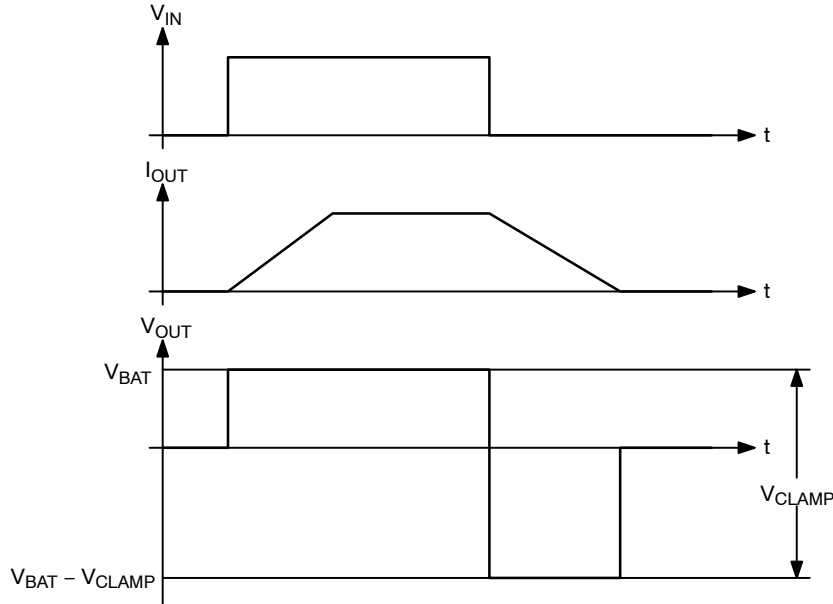


Figure 36. Inductive Load Switching

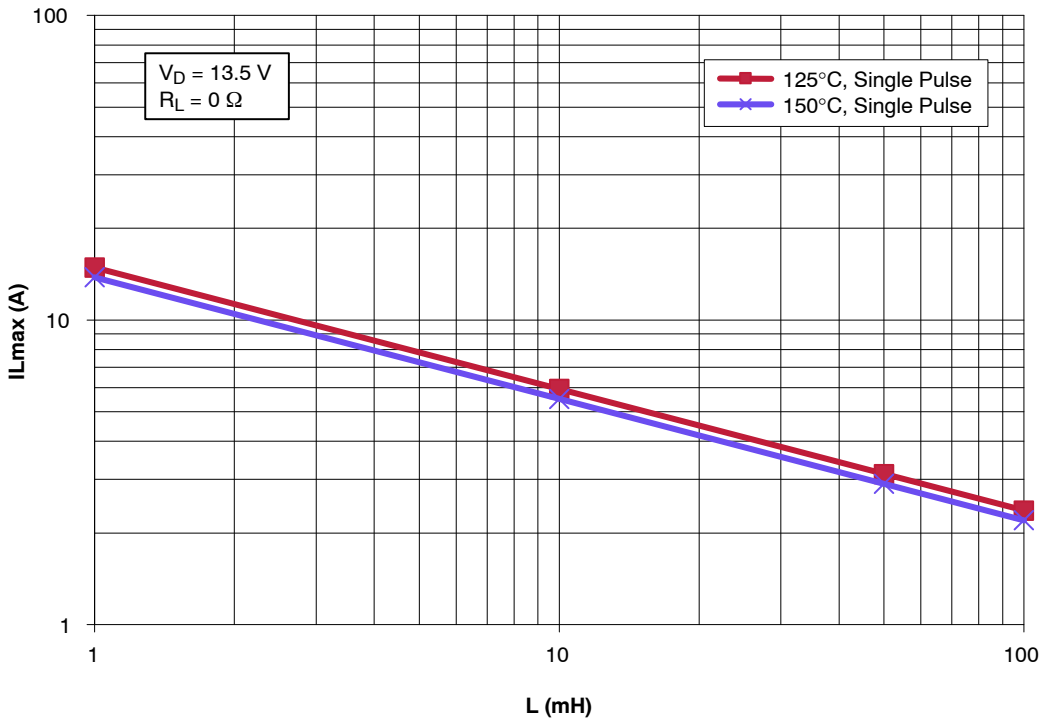
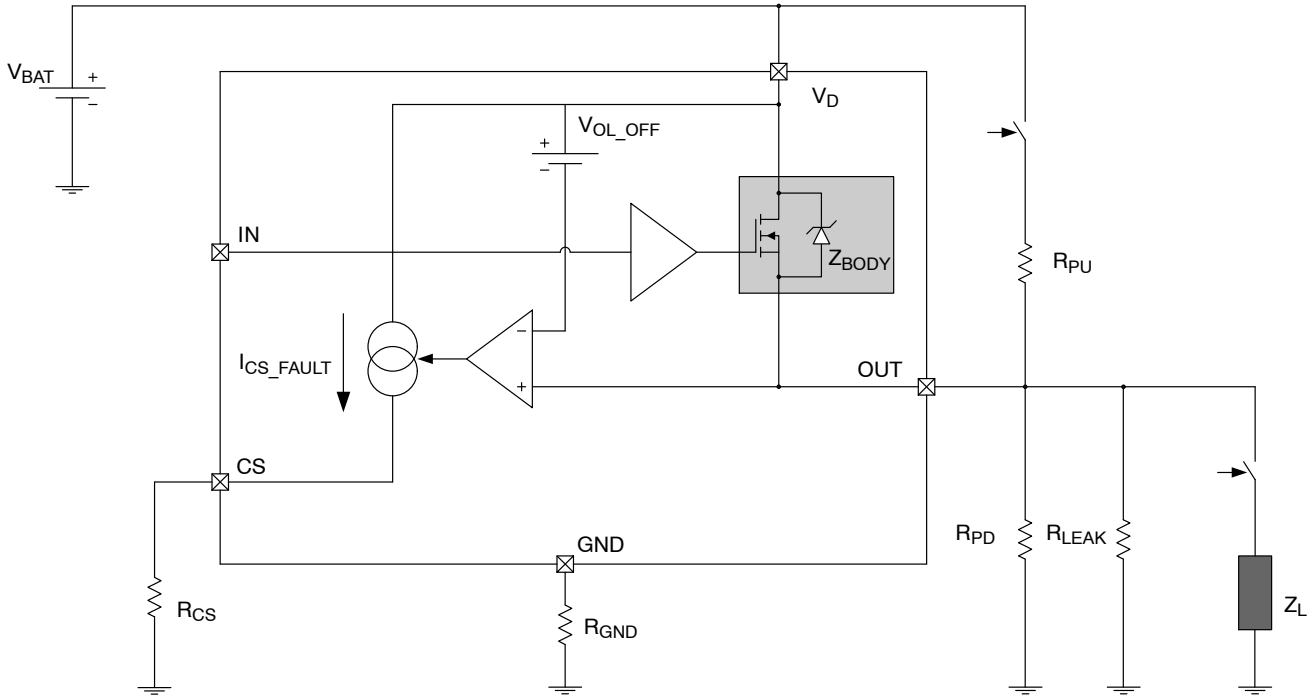


Figure 37. Maximum Switch-Off Current vs. Load Inductance,  $V_D = 13.5\text{ V}$ ,  $R_L = 0\ \Omega$

**OPEN LOAD DETECTION IN OFF STATE**

Open load diagnosis in OFF state can be performed by activating an external resistive pull-up path ( $R_{PU}$ ) to  $V_{BAT}$ . To calculate the pull-up resistance, external leakage

currents (designed pull-down resistance, humidity-induced leakage etc) as well as the open load threshold voltage  $V_{OL}$  have to be taken into account.



**Figure 38. Open Load Detection in Off State**

**CURRENT SENSE IN PWM MODE**

When operating in PWM mode, the current sense functionality can be used, but the timing of the input signal and the response time of the current sense need to be considered. When operating in PWM mode, the following performance is to be expected. The CS\_EN pin should be held high to eliminate any unnecessary delay time to the circuit. When  $V_{IN}$  switches from low to high, there will be a typical delay ( $t_{CS\_High2}$ ) before the current sense responds. Once this timing delay has passed, the rise time of the current sense output ( $\Delta t_{CS\_High2}$ ) also needs to be considered. When  $V_{IN}$  switches from high to low a delay time ( $t_{CS\_Low1}$ ) needs to be considered. As long as these timing delays are allowed, the current sense pin can be operated in PWM mode.

**HINTS**

This device is not targeting safety critical applications as it does not contain specific safety mechanisms. In case a customer would like to use the device for safety critical applications then he would need to use decomposition at system level to use the device. This is possible and quite common practice and will be clearly indicated in the datasheet. In this condition the development would be done as QM without any ASIL level assigned.

**EMC Performance**

If better EMC performance is needed, connect a  $C1 = 100\text{ nF}$ ,  $C2 = C3 = 10\text{ nF}$  ceramic capacitors to the pins as close to the device as possible according to Figure 39.

# NCV84045

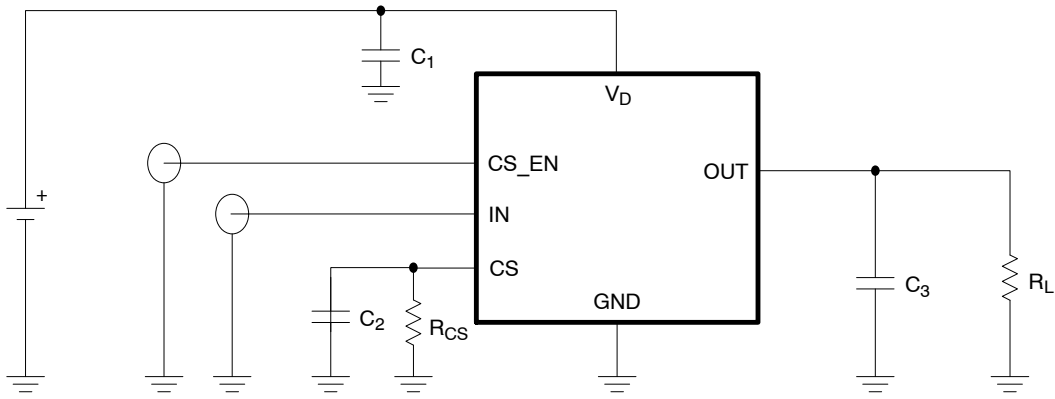


Figure 39. EMC Capacitors Placement

## PACKAGE AND PCB THERMAL DATA

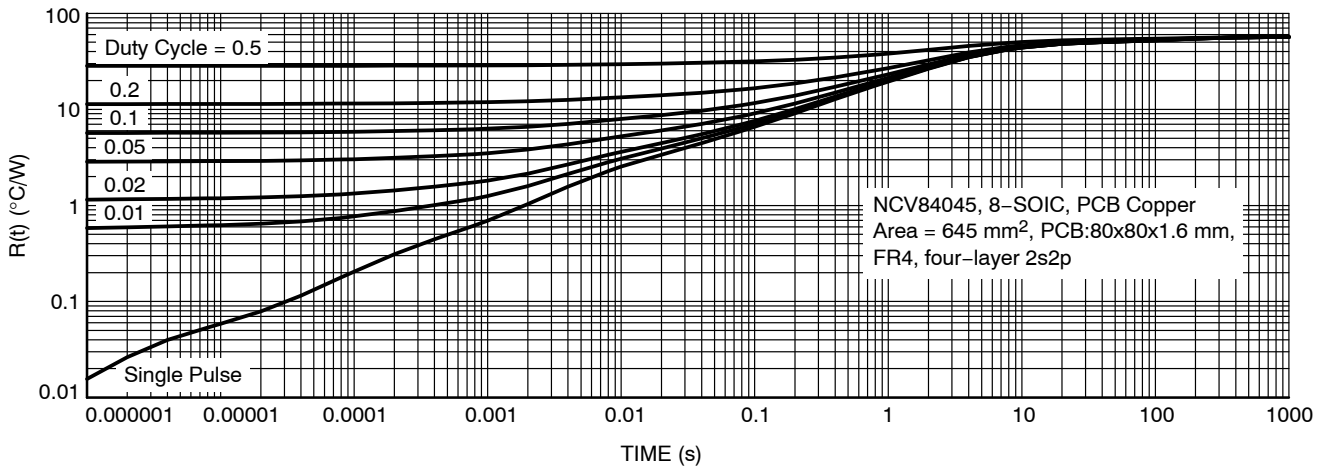


Figure 40. Junction to Ambient Transient Thermal Impedance (645 mm<sup>2</sup> Cu Area)

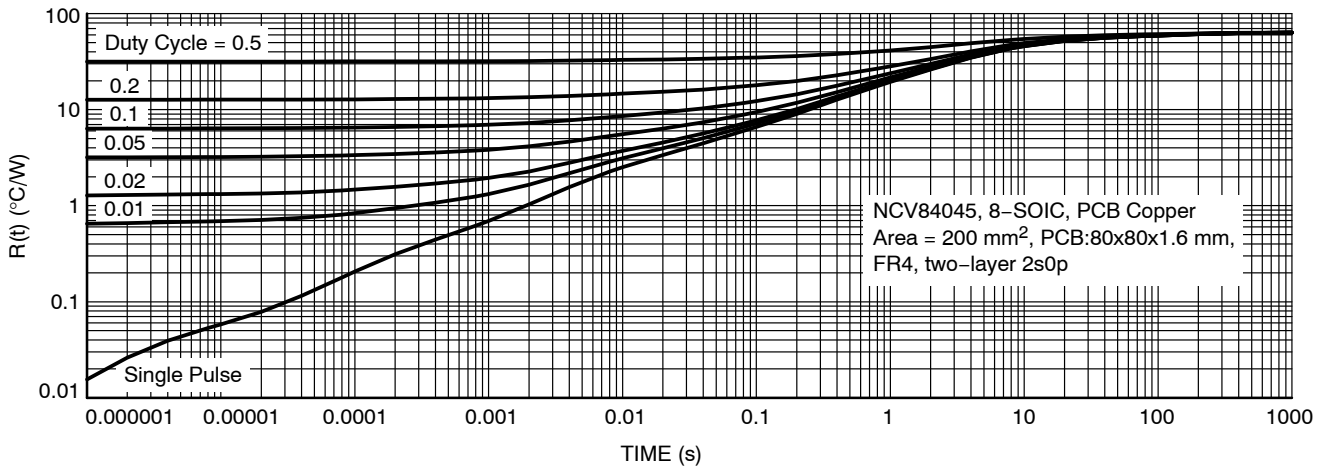


Figure 41. Junction to Ambient Transient Thermal Impedance (2 cm<sup>2</sup> Cu Area)



# MECHANICAL CASE OUTLINE PACKAGE DIMENSIONS



SCALE 1:1

SOIC-8 NB  
CASE 751-07  
ISSUE AK

DATE 16 FEB 2011



- NOTES:
1. DIMENSIONING AND TOLERANCING PER ANSI Y14.5M, 1982.
  2. CONTROLLING DIMENSION: MILLIMETER.
  3. DIMENSION A AND B DO NOT INCLUDE MOLD PROTRUSION.
  4. MAXIMUM MOLD PROTRUSION 0.15 (0.006) PER SIDE.
  5. DIMENSION D DOES NOT INCLUDE DAMBAR PROTRUSION. ALLOWABLE DAMBAR PROTRUSION SHALL BE 0.127 (0.005) TOTAL IN EXCESS OF THE D DIMENSION AT MAXIMUM MATERIAL CONDITION.
  6. 751-01 THRU 751-06 ARE OBSOLETE. NEW STANDARD IS 751-07.

DIM	MILLIMETERS		INCHES	
	MIN	MAX	MIN	MAX
A	4.80	5.00	0.189	0.197
B	3.80	4.00	0.150	0.157
C	1.35	1.75	0.053	0.069
D	0.33	0.51	0.013	0.020
G	1.27 BSC		0.050 BSC	
H	0.10	0.25	0.004	0.010
J	0.19	0.25	0.007	0.010
K	0.40	1.27	0.016	0.050
M	0°	8°	0°	8°
N	0.25	0.50	0.010	0.020
S	5.80	6.20	0.228	0.244

### SOLDERING FOOTPRINT\*



\*For additional information on our Pb-Free strategy and soldering details, please download the ON Semiconductor Soldering and Mounting Techniques Reference Manual, SOLDERRM/D.

### GENERIC MARKING DIAGRAM\*



XXXXXX = Specific Device Code  
A = Assembly Location  
L = Wafer Lot  
Y = Year  
W = Work Week  
▪ = Pb-Free Package

XXXXXX = Specific Device Code  
A = Assembly Location  
Y = Year  
WW = Work Week  
▪ = Pb-Free Package

\*This information is generic. Please refer to device data sheet for actual part marking. Pb-Free indicator, "G" or microdot "▪", may or may not be present. Some products may not follow the Generic Marking.

STYLES ON PAGE 2

DOCUMENT NUMBER:	98ASB42564B	Electronic versions are uncontrolled except when accessed directly from the Document Repository. Printed versions are uncontrolled except when stamped "CONTROLLED COPY" in red.
DESCRIPTION:	SOIC-8 NB	PAGE 1 OF 2

onsemi and ONsemi are trademarks of Semiconductor Components Industries, LLC dba onsemi or its subsidiaries in the United States and/or other countries. onsemi reserves the right to make changes without further notice to any products herein. onsemi makes no warranty, representation or guarantee regarding the suitability of its products for any particular purpose, nor does onsemi assume any liability arising out of the application or use of any product or circuit, and specifically disclaims any and all liability, including without limitation special, consequential or incidental damages. onsemi does not convey any license under its patent rights nor the rights of others.

**SOIC-8 NB**  
**CASE 751-07**  
**ISSUE AK**

DATE 16 FEB 2011

- |  |   |   |   |
|--|---|---|---|
| <p><b>STYLE 1:</b><br/>         PIN 1. EMITTER<br/>         2. COLLECTOR<br/>         3. COLLECTOR<br/>         4. EMITTER<br/>         5. EMITTER<br/>         6. BASE<br/>         7. BASE<br/>         8. EMITTER</p>   | <p><b>STYLE 2:</b><br/>         PIN 1. COLLECTOR, DIE, #1<br/>         2. COLLECTOR, #1<br/>         3. COLLECTOR, #2<br/>         4. COLLECTOR, #2<br/>         5. BASE, #2<br/>         6. EMITTER, #2<br/>         7. BASE, #1<br/>         8. EMITTER, #1</p>               | <p><b>STYLE 3:</b><br/>         PIN 1. DRAIN, DIE #1<br/>         2. DRAIN, #1<br/>         3. DRAIN, #2<br/>         4. DRAIN, #2<br/>         5. GATE, #2<br/>         6. SOURCE, #2<br/>         7. GATE, #1<br/>         8. SOURCE, #1</p>                            | <p><b>STYLE 4:</b><br/>         PIN 1. ANODE<br/>         2. ANODE<br/>         3. ANODE<br/>         4. ANODE<br/>         5. ANODE<br/>         6. ANODE<br/>         7. ANODE<br/>         8. COMMON CATHODE</p>   |
| <p><b>STYLE 5:</b><br/>         PIN 1. DRAIN<br/>         2. DRAIN<br/>         3. DRAIN<br/>         4. DRAIN<br/>         5. GATE<br/>         6. GATE<br/>         7. SOURCE<br/>         8. SOURCE</p>   | <p><b>STYLE 6:</b><br/>         PIN 1. SOURCE<br/>         2. DRAIN<br/>         3. DRAIN<br/>         4. SOURCE<br/>         5. SOURCE<br/>         6. GATE<br/>         7. GATE<br/>         8. SOURCE</p>  | <p><b>STYLE 7:</b><br/>         PIN 1. INPUT<br/>         2. EXTERNAL BYPASS<br/>         3. THIRD STAGE SOURCE<br/>         4. GROUND<br/>         5. DRAIN<br/>         6. GATE 3<br/>         7. SECOND STAGE Vd<br/>         8. FIRST STAGE Vd</p>                    | <p><b>STYLE 8:</b><br/>         PIN 1. COLLECTOR, DIE #1<br/>         2. BASE, #1<br/>         3. BASE, #2<br/>         4. COLLECTOR, #2<br/>         5. COLLECTOR, #2<br/>         6. EMITTER, #2<br/>         7. EMITTER, #1<br/>         8. COLLECTOR, #1</p>                              |
| <p><b>STYLE 9:</b><br/>         PIN 1. EMITTER, COMMON<br/>         2. COLLECTOR, DIE #1<br/>         3. COLLECTOR, DIE #2<br/>         4. EMITTER, COMMON<br/>         5. EMITTER, COMMON<br/>         6. BASE, DIE #2<br/>         7. BASE, DIE #1<br/>         8. EMITTER, COMMON</p> | <p><b>STYLE 10:</b><br/>         PIN 1. GROUND<br/>         2. BIAS 1<br/>         3. OUTPUT<br/>         4. GROUND<br/>         5. GROUND<br/>         6. BIAS 2<br/>         7. INPUT<br/>         8. GROUND</p>  | <p><b>STYLE 11:</b><br/>         PIN 1. SOURCE 1<br/>         2. GATE 1<br/>         3. SOURCE 2<br/>         4. GATE 2<br/>         5. DRAIN 2<br/>         6. DRAIN 2<br/>         7. DRAIN 1<br/>         8. DRAIN 1</p>   | <p><b>STYLE 12:</b><br/>         PIN 1. SOURCE<br/>         2. SOURCE<br/>         3. SOURCE<br/>         4. GATE<br/>         5. DRAIN<br/>         6. DRAIN<br/>         7. DRAIN<br/>         8. DRAIN</p>   |
| <p><b>STYLE 13:</b><br/>         PIN 1. N.C.<br/>         2. SOURCE<br/>         3. SOURCE<br/>         4. GATE<br/>         5. DRAIN<br/>         6. DRAIN<br/>         7. DRAIN<br/>         8. DRAIN</p>  | <p><b>STYLE 14:</b><br/>         PIN 1. N-SOURCE<br/>         2. N-GATE<br/>         3. P-SOURCE<br/>         4. P-GATE<br/>         5. P-DRAIN<br/>         6. P-DRAIN<br/>         7. N-DRAIN<br/>         8. N-DRAIN</p>   | <p><b>STYLE 15:</b><br/>         PIN 1. ANODE 1<br/>         2. ANODE 1<br/>         3. ANODE 1<br/>         4. ANODE 1<br/>         5. CATHODE, COMMON<br/>         6. CATHODE, COMMON<br/>         7. CATHODE, COMMON<br/>         8. CATHODE, COMMON</p>               | <p><b>STYLE 16:</b><br/>         PIN 1. EMITTER, DIE #1<br/>         2. BASE, DIE #1<br/>         3. EMITTER, DIE #2<br/>         4. BASE, DIE #2<br/>         5. COLLECTOR, DIE #2<br/>         6. COLLECTOR, DIE #2<br/>         7. COLLECTOR, DIE #1<br/>         8. COLLECTOR, DIE #1</p> |
| <p><b>STYLE 17:</b><br/>         PIN 1. VCC<br/>         2. V2OUT<br/>         3. V1OUT<br/>         4. TXE<br/>         5. RXE<br/>         6. VEE<br/>         7. GND<br/>         8. ACC</p>  | <p><b>STYLE 18:</b><br/>         PIN 1. ANODE<br/>         2. ANODE<br/>         3. SOURCE<br/>         4. GATE<br/>         5. DRAIN<br/>         6. DRAIN<br/>         7. CATHODE<br/>         8. CATHODE</p>   | <p><b>STYLE 19:</b><br/>         PIN 1. SOURCE 1<br/>         2. GATE 1<br/>         3. SOURCE 2<br/>         4. GATE 2<br/>         5. DRAIN 2<br/>         6. MIRROR 2<br/>         7. DRAIN 1<br/>         8. MIRROR 1</p>   | <p><b>STYLE 20:</b><br/>         PIN 1. SOURCE (N)<br/>         2. GATE (N)<br/>         3. SOURCE (P)<br/>         4. GATE (P)<br/>         5. DRAIN<br/>         6. DRAIN<br/>         7. DRAIN<br/>         8. DRAIN</p>   |
| <p><b>STYLE 21:</b><br/>         PIN 1. CATHODE 1<br/>         2. CATHODE 2<br/>         3. CATHODE 3<br/>         4. CATHODE 4<br/>         5. CATHODE 5<br/>         6. COMMON ANODE<br/>         7. COMMON ANODE<br/>         8. CATHODE 6</p>  | <p><b>STYLE 22:</b><br/>         PIN 1. I/O LINE 1<br/>         2. COMMON CATHODE/VCC<br/>         3. COMMON CATHODE/VCC<br/>         4. I/O LINE 3<br/>         5. COMMON ANODE/GND<br/>         6. I/O LINE 4<br/>         7. I/O LINE 5<br/>         8. COMMON ANODE/GND</p> | <p><b>STYLE 23:</b><br/>         PIN 1. LINE 1 IN<br/>         2. COMMON ANODE/GND<br/>         3. COMMON ANODE/GND<br/>         4. LINE 2 IN<br/>         5. LINE 2 OUT<br/>         6. COMMON ANODE/GND<br/>         7. COMMON ANODE/GND<br/>         8. LINE 1 OUT</p> | <p><b>STYLE 24:</b><br/>         PIN 1. BASE<br/>         2. EMITTER<br/>         3. COLLECTOR/ANODE<br/>         4. COLLECTOR/ANODE<br/>         5. CATHODE<br/>         6. CATHODE<br/>         7. COLLECTOR/ANODE<br/>         8. COLLECTOR/ANODE</p>                                      |
| <p><b>STYLE 25:</b><br/>         PIN 1. VIN<br/>         2. N/C<br/>         3. REXT<br/>         4. GND<br/>         5. IOUT<br/>         6. IOUT<br/>         7. IOUT<br/>         8. IOUT</p>   | <p><b>STYLE 26:</b><br/>         PIN 1. GND<br/>         2. dv/dt<br/>         3. ENABLE<br/>         4. ILIMIT<br/>         5. SOURCE<br/>         6. SOURCE<br/>         7. SOURCE<br/>         8. VCC</p>  | <p><b>STYLE 27:</b><br/>         PIN 1. ILIMIT<br/>         2. OVLO<br/>         3. UVLO<br/>         4. INPUT+<br/>         5. SOURCE<br/>         6. SOURCE<br/>         7. SOURCE<br/>         8. DRAIN</p>  | <p><b>STYLE 28:</b><br/>         PIN 1. SW_TO_GND<br/>         2. DASIC OFF<br/>         3. DASIC_SW_DET<br/>         4. GND<br/>         5. V_MON<br/>         6. VBULK<br/>         7. VBULK<br/>         8. VIN</p>  |
| <p><b>STYLE 29:</b><br/>         PIN 1. BASE, DIE #1<br/>         2. EMITTER, #1<br/>         3. BASE, #2<br/>         4. EMITTER, #2<br/>         5. COLLECTOR, #2<br/>         6. COLLECTOR, #2<br/>         7. COLLECTOR, #1<br/>         8. COLLECTOR, #1</p>                        | <p><b>STYLE 30:</b><br/>         PIN 1. DRAIN 1<br/>         2. DRAIN 1<br/>         3. GATE 2<br/>         4. SOURCE 2<br/>         5. SOURCE 1/DRAIN 2<br/>         6. SOURCE 1/DRAIN 2<br/>         7. SOURCE 1/DRAIN 2<br/>         8. GATE 1</p>                           |   |   |

<b>DOCUMENT NUMBER:</b>	<b>98ASB42564B</b>	Electronic versions are uncontrolled except when accessed directly from the Document Repository. Printed versions are uncontrolled except when stamped "CONTROLLED COPY" in red.
<b>DESCRIPTION:</b>	<b>SOIC-8 NB</b>	<b>PAGE 2 OF 2</b>

**onsemi** and **ONSEMI** are trademarks of Semiconductor Components Industries, LLC dba **onsemi** or its subsidiaries in the United States and/or other countries. **onsemi** reserves the right to make changes without further notice to any products herein. **onsemi** makes no warranty, representation or guarantee regarding the suitability of its products for any particular purpose, nor does **onsemi** assume any liability arising out of the application or use of any product or circuit, and specifically disclaims any and all liability, including without limitation special, consequential or incidental damages. **onsemi** does not convey any license under its patent rights nor the rights of others.

**onsemi**, **Onsemi**, and other names, marks, and brands are registered and/or common law trademarks of Semiconductor Components Industries, LLC dba "**onsemi**" or its affiliates and/or subsidiaries in the United States and/or other countries. **onsemi** owns the rights to a number of patents, trademarks, copyrights, trade secrets, and other intellectual property. A listing of **onsemi**'s product/patent coverage may be accessed at [www.onsemi.com/site/pdf/Patent-Marking.pdf](http://www.onsemi.com/site/pdf/Patent-Marking.pdf). **onsemi** reserves the right to make changes at any time to any products or information herein, without notice. The information herein is provided "as-is" and **onsemi** makes no warranty, representation or guarantee regarding the accuracy of the information, product features, availability, functionality, or suitability of its products for any particular purpose, nor does **onsemi** assume any liability arising out of the application or use of any product or circuit, and specifically disclaims any and all liability, including without limitation special, consequential or incidental damages. Buyer is responsible for its products and applications using **onsemi** products, including compliance with all laws, regulations and safety requirements or standards, regardless of any support or applications information provided by **onsemi**. "Typical" parameters which may be provided in **onsemi** data sheets and/or specifications can and do vary in different applications and actual performance may vary over time. All operating parameters, including "Typicals" must be validated for each customer application by customer's technical experts. **onsemi** does not convey any license under any of its intellectual property rights nor the rights of others. **onsemi** products are not designed, intended, or authorized for use as a critical component in life support systems or any FDA Class 3 medical devices or medical devices with a same or similar classification in a foreign jurisdiction or any devices intended for implantation in the human body. Should Buyer purchase or use **onsemi** products for any such unintended or unauthorized application, Buyer shall indemnify and hold **onsemi** and its officers, employees, subsidiaries, affiliates, and distributors harmless against all claims, costs, damages, and expenses, and reasonable attorney fees arising out of, directly or indirectly, any claim of personal injury or death associated with such unintended or unauthorized use, even if such claim alleges that **onsemi** was negligent regarding the design or manufacture of the part. **onsemi** is an Equal Opportunity/Affirmative Action Employer. This literature is subject to all applicable copyright laws and is not for resale in any manner.

## ADDITIONAL INFORMATION

### TECHNICAL PUBLICATIONS:

Technical Library: [www.onsemi.com/design/resources/technical-documentation](http://www.onsemi.com/design/resources/technical-documentation)  
onsemi Website: [www.onsemi.com](http://www.onsemi.com)

### ONLINE SUPPORT: [www.onsemi.com/support](http://www.onsemi.com/support)

For additional information, please contact your local Sales Representative at [www.onsemi.com/support/sales](http://www.onsemi.com/support/sales)

