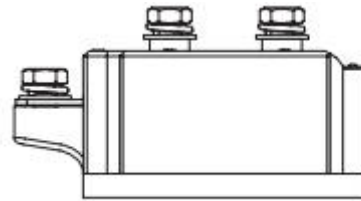
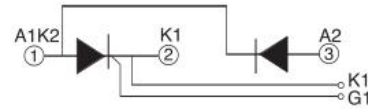


FEATURES

- High voltage
- Low gate current
- Low thermal resistance
- Minimum Lot-to-Lot variations for robust device performance and reliable operation

APPLICATIONS

- power supplies
- AC & DC Motor Drives
- Battery Supplies



ELECTRICAL CHARACTERISTICS

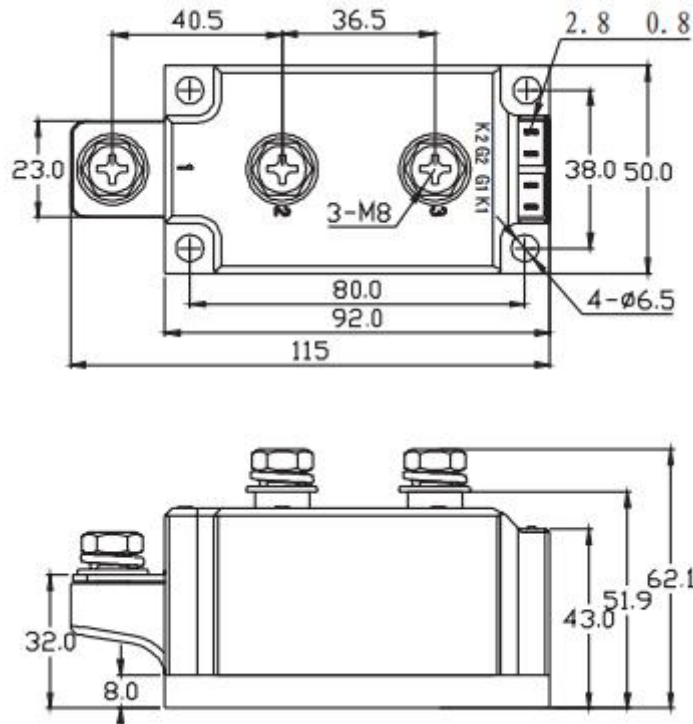
SYMBOL	PARAMETER	CONDITIONS	MIN	MAX	UNIT
V_{RRM}	Repetitive Peak Reverse Voltage			1200	V
$I_{T(AV)}$	Average Forward Current	$T_C=85^\circ\text{C}$, 180° conduction, half sine wave		250	A
$I_{T(RMS)}$	RMS on-state current			393	A
I_{TSM}	Surge Forward Current	$t=10\text{ms}$, half sine wave		8.5	KA
I^2t	I^2t for fusing	$V_R=0.6V_{RRM}$		360	KA ² s
T_J	Junction Temperature		-40	125	°C
T_{stg}	Storage Temperature Range		-40	125	°C
V_{TM}	Forward Voltage Drop	$I_{TM}=750\text{A}$, $T_J=25^\circ\text{C}$		1.57	V
I_{DRM} I_{RRM}	peak reverse and off-state leakage current	$T_J=125^\circ\text{C}$, rated V_{DRM}/V_{RRM} applied		30	mA
I_{GT}	DC gate current required to trigger	$V_A=12\text{V}$, $I_A=1\text{A}$, $T_J=25^\circ\text{C}$	30	180	mA
V_{GT}	DC gate voltage required to trigger		1.0	2.5	V
V_{iso}	Isolated Voltage	50Hz, R.M.S, $t=1\text{min}$, $I_{iso}:1\text{mA(MAX)}$	2500		V

THERMAL CHARACTERISTICS

SYMBOL	PARAMETER	MAX	UNIT
$R_{th\ j-c}$	Thermal Resistance, Junction to Case	0.12	°C/W

PACKAGE OUTLINE

Dimensions in mm (1mm = 0.0394")



NOTICE:

ISC reserves the rights to make changes of the content herein the datasheet at any time without notification. The information contained herein is presented only as a guide for the applications of our products.

ISC products are intended for usage in general electronic equipment. The products are not designed for use in equipment which require specialized quality and/or reliability, or in equipment which could have applications in hazardous environments, aerospace industry, or medical field. Please contact us if you intend our products to be used in these special applications.

ISC makes no warranty or guarantee regarding the suitability of its products for any particular purpose, nor does ISC assume any liability arising from the application or use of any products, and specifically disclaims any and all liability, including without limitation special, consequential or incidental damages.