



NPN SILICON HIGH FREQUENCY TRANSISTOR

NE219 SERIES

FEATURES

- HIGH fr: 8 GHz
- LOW NOISE:
1 dB at 0.5 GHz
2.2 dB at 2 GHz
- HIGH COLLECTOR CURRENT: 80 mA
- HIGH OSCILLATOR POWER OUTPUT:
100 mW at 6 GHz
- EXCELLENT GENERAL PURPOSE TRANSISTOR

DESCRIPTION AND APPLICATIONS

The NE219 series of NPN silicon bipolar transistors is designed for small signal amplifier and oscillator applications up to 6 GHz. The series employs arsenic doped emitters and NEC's hi-rel platinum-gold metallization system which permits reliable operation at high temperature operation (100°C) at rated dissipation. The series is available in either chip form (NE21900) or in a variety of packages. Low noise and high current capability provides wide dynamic range and economical solutions to a wide variety of microstrip thick and thin film applications. Quality, performance, uniformity and reliability are assured by NEC's quality assurance program which is patterned after MIL-S-19500. The NE219 is available in Grade C (JANTXV equivalent), Grade CX (JANTX equivalent), and Grade D.

ABSOLUTE MAXIMUM RATINGS (TA = 25°C)

SYMBOLS	PARAMETERS	UNITS	RATINGS
V _{CB0}	Collector to Base Voltage	V	20
V _{CE0}	Collector to Emitter Voltage	V	10 ¹
V _{EB0}	Emitter to Base Voltage	V	1.5
I _C	Collector Current	mA	80
T _J	Junction Temperature	°C	200 ²
T _{STG}	Storage Temperature	°C	-65 to +200 ³

Notes:

1. Typical V_{CE0} = 20 V for R = 10 Ω.
2. T_J = 150°C for NE21936 and NE21937.
3. T_{STG} = -65 to +150°C for NE21936, NE21937 and NE21935 Grade D.

NE21935 TYPICAL NOISE PARAMETERS

V_{CE} = 8 V, I_C = 5 mA

FREQUENCY (MHz)	NF _{min} (dB)	G _a */dB	OPT SOURCE	R _n /50 Ω
500	1.3	20.7	.15 ∠ 100°	.15
1000	1.4	16.2	.31 ∠ 146°	.12
1500	2.1	13.5	.49 ∠ 178°	.04
2000	2.3	11.8	.48 ∠ -172°	.07
2500	2.7	9.6	.53 ∠ -155°	.13
3000	3.4	9.6	.58 ∠ -133°	.26
3500	3.6	8.0	.66 ∠ -128°	.36

V_{CE} = 8 V, I_C = 20 mA

500	1.6	22.0	.14 ∠ 132°	.17
1000	2.0	17.3	.30 ∠ 176°	.13
1500	2.6	14.9	.47 ∠ -167°	.08
2000	2.9	13.0	.53 ∠ -159°	.12
2500	3.2	11.4	.56 ∠ -150°	.19
3000	3.9	11.4	.58 ∠ -127°	.36
3500	4.3	9.2	.68 ∠ -123°	.28

*Input tuned for minimum Noise Figure, output tuned for Maximum Gain.

PERFORMANCE SPECIFICATIONS (TA = 25°C)

SYMBOLS	PARAMETERS AND CONDITIONS	UNITS	NE21903 2SC22174			NE21908 2SC2218			NE21912			NE21935 2SC2367			NE21937 2SC2869			NE21987		
			MIN	TYP	MAX	MIN	TYP	MAX	MIN	TYP	MAX	MIN	TYP	MAX	MIN	TYP	MAX	MIN	TYP	MAX
f _r	Gain Bandwidth Product at V _{CE} = 8 V, I _C = 20 mA	GHz	8.0	8.0	8.0	8.0	8.0	8.0	8.0	8.0	8.0	8.0	8.0	8.0	8.0	8.0	8.0	8.0	8.0	
S ₂₁ E ²	Insertion Power Gain at V _{CE} = 8 V, I _C = 20 mA, f = 0.5 GHz f = 1 GHz f = 2 GHz	dB dB dB	21.0 15.5 8.0	21.0 15.5 8.0	21.0 15.5 8.0	21.0 15.5 8.0	21.0 15.5 8.0	21.0 15.5 8.0	21.0 15.5 8.0	21.0 15.5 8.0	21.0 15.5 8.0	21.0 15.5 8.0	21.0 15.5 8.0	21.0 15.5 8.0	21.0 15.5 8.0	21.0 15.5 8.0	21.0 15.5 8.0	21.0 15.5 8.0	21.0 15.5 8.0	
N _{FMIN}	Minimum Noise Figure ² at V _{CE} = 8 V, I _C = 5 mA, f = 0.5 GHz f = 1 GHz f = 2 GHz	dB dB dB	1.3 2.2 3.5	1.3 2.2 3.5	1.3 2.2 3.5	1.3 2.2 3.5	1.3 2.2 3.5	1.3 2.2 3.5	1.3 2.2 3.5	1.3 2.2 3.5	1.3 2.2 3.5	1.3 2.2 3.5	1.3 2.2 3.5	1.3 2.2 3.5	1.3 2.2 3.5	1.3 2.2 3.5	1.3 2.2 3.5	1.3 2.2 3.5	1.3 2.2 3.5	
MAG	Maximum Available Gain ³ at V _{CE} = 8 V, I _C = 20 mA, f = 0.5 GHz f = 1 GHz f = 2 GHz	dB dB dB	25.0 18.4 12.6	25.0 18.4 12.6	25.0 18.4 12.6	25.0 18.4 12.6	25.0 18.4 12.6	25.0 18.4 12.6	25.0 18.4 12.6	25.0 18.4 12.6	25.0 18.4 12.6	25.0 18.4 12.6	25.0 18.4 12.6	25.0 18.4 12.6	25.0 18.4 12.6	25.0 18.4 12.6	25.0 18.4 12.6	25.0 18.4 12.6	25.0 18.4 12.6	
GNF	Associated Gain at Optimum Noise Figure, V _{CE} = 8 V, I _C = 5 mA, f = 0.5 GHz f = 1 GHz f = 2 GHz	dB dB dB	15.0 13.0 8.0	15.0 13.0 8.0	15.0 13.0 8.0	15.0 13.0 8.0	15.0 13.0 8.0	15.0 13.0 8.0	15.0 13.0 8.0	15.0 13.0 8.0	15.0 13.0 8.0	15.0 13.0 8.0	15.0 13.0 8.0	15.0 13.0 8.0	15.0 13.0 8.0	15.0 13.0 8.0	15.0 13.0 8.0	15.0 13.0 8.0	15.0 13.0 8.0	
Posc	Oscillator Power Output at V _{CE} = 8 V, I _C = 40 mA, f = 6 GHz	mW																	120	

Notes:

1. Electronics Industrial Association of Japan.
2. Input and output are tuned for optimum noise figure.
3. Maximum Available Gain (MAG) is calculated from the device S-Parameters using the equation, $MAG = \frac{|S_{21}|}{|S_{12}|} (K \pm \sqrt{K^2 - 1})$ K = $\frac{1 + |\Delta|^2 - |S_{11}|^2 - |S_{22}|^2}{2|S_{21}||S_{12}|}$ Δ = S₁₁S₂₂ - S₂₁S₁₂
4. EIAJ registered number refers to grade C versions of these devices.

ELECTRICAL CHARACTERISTICS (TA = 25°C)

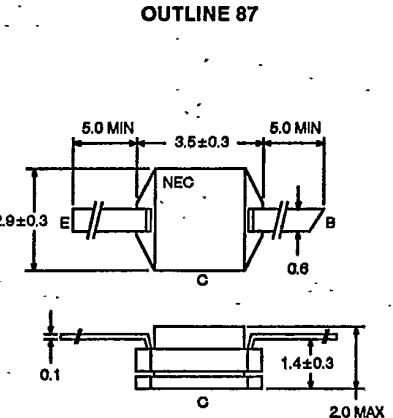
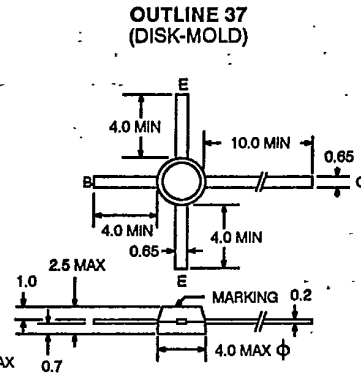
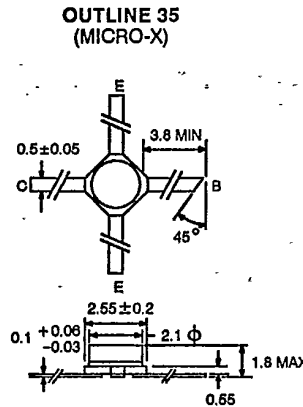
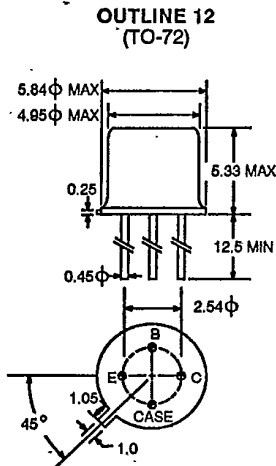
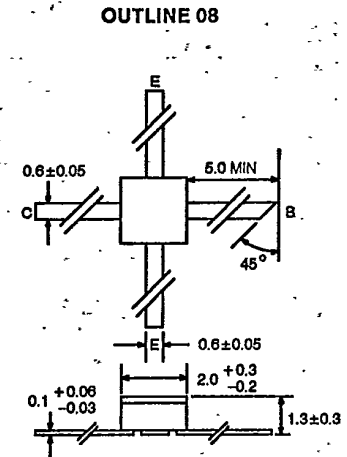
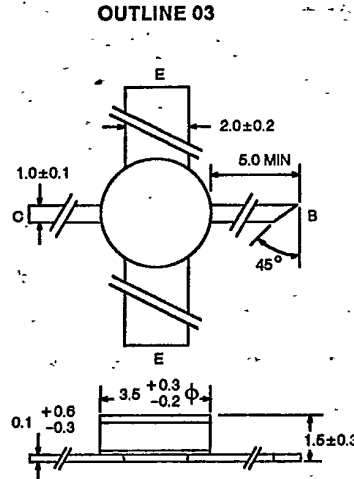
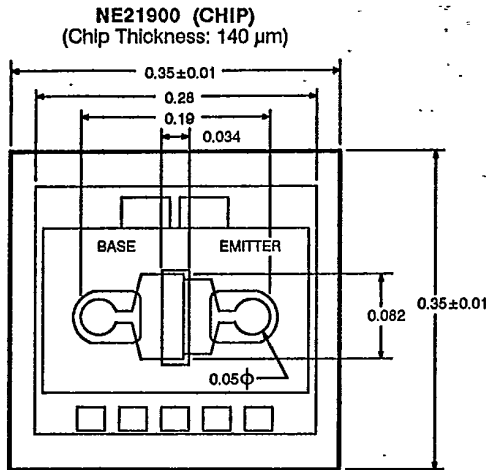
SYMBOLS	PARAMETERS AND CONDITIONS	UNITS	NE21903 2SC22174			NE21908 2SC22184			NE21912			NE21935 2SC2367			NE21937 2SC2869			NE21987		
			MIN	TYP	MAX	MIN	TYP	MAX	MIN	TYP	MAX	MIN	TYP	MAX	MIN	TYP	MAX	MIN	TYP	MAX
I _{CB0}	Collector Cutoff Current at V _{CB} = 8 V, I _E = 0	μA		1.0	1.0		1.0	1.0		1.0	1.0		1.0	1.0		1.0	1.0		1.0	
I _{EB0}	Emitter Cutoff Current at V _{EB} = 1 V, I _C = 0	μA		1.0	1.0		1.0	1.0		1.0	1.0		1.0	1.0		1.0	1.0		1.0	
I _{FE}	Forward Current Gain at V _{CE} = 8 V, I _C = 20 mA		30	100	300	30	100	300	30	100	300	30	100	300	30	100	300	30	100	
C _{cb}	Collector to Base Capacitance ² at V _{CB} = 8 V, I _E = 0	pF		0.4	1.0		0.4	1.0		0.4	1.0		0.4	1.0		0.4	1.0		0.4	
R _{th}	Thermal Resistance (J-C)	°C/W		70	580		90	350		90	600		80	580		500 ³	250		70	
PT	Total Power Dissipation (TA = 25°C)	mW		580	580		350	350		600	600		580	580		250	250		700	

Notes:

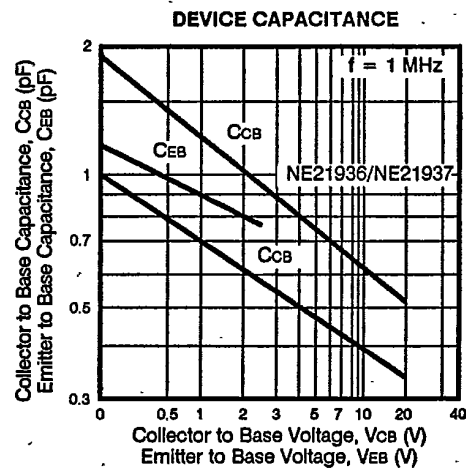
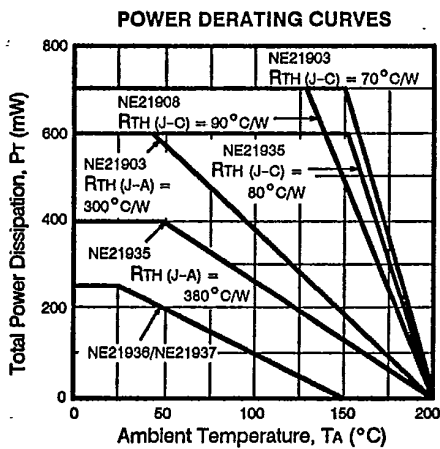
1. Electronic Industrial Association of Japan.
2. C_{cb} measurement employs a three-terminal capacitance bridge incorporating a guard circuit. The emitter terminal shall be connected to the guard terminal.
3. R_{th}(J-A)
4. EIAJ registered number refers to grade C versions of these devices.



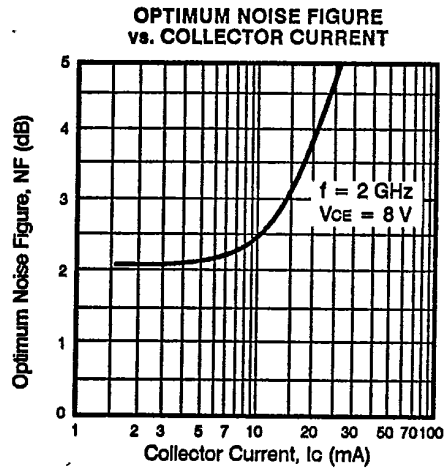
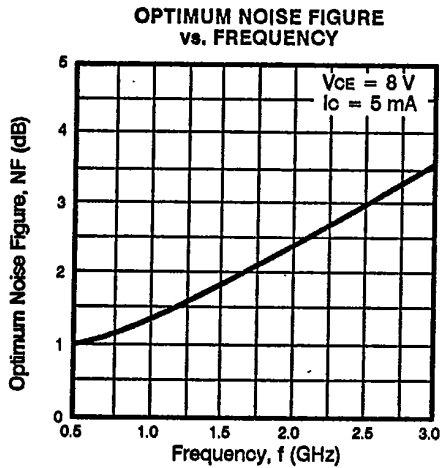
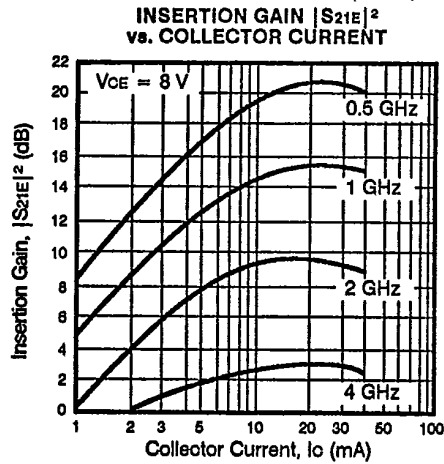
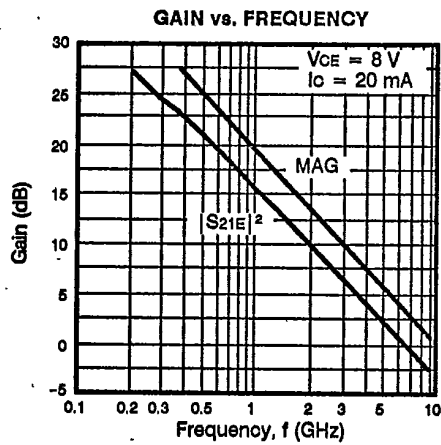
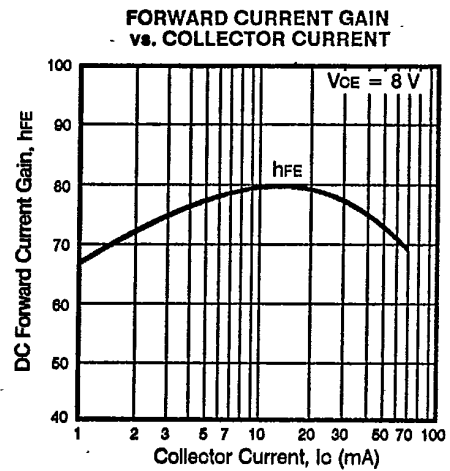
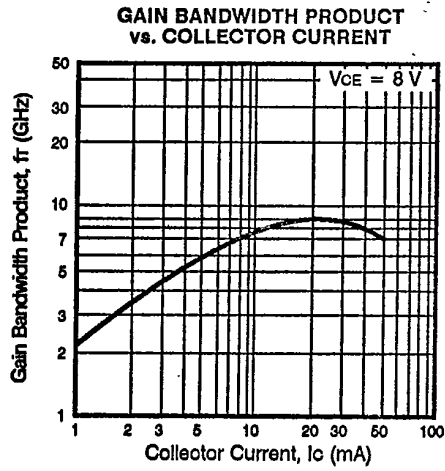
OUTLINE DIMENSIONS (Units in mm)



TYPICAL DEVICE CHARACTERISTICS (TA = 25°C)



TYPICAL PERFORMANCE CHARACTERISTICS (TA = 25°C)

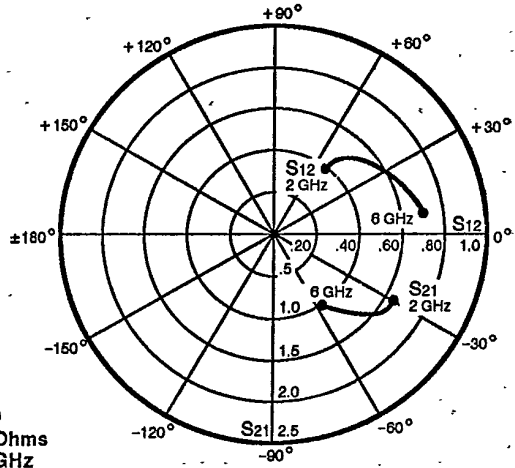
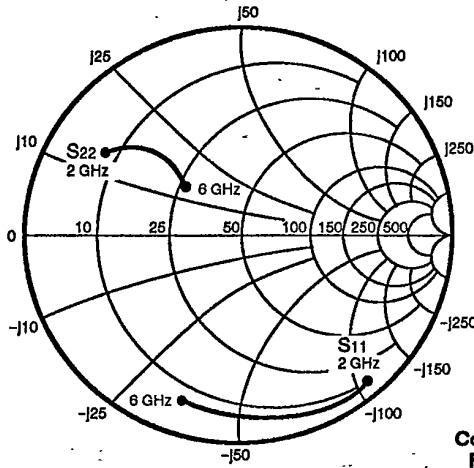


NE219 SERIES

T-31-21

T-31-23

TYPICAL COMMON COLLECTOR SCATTERING PARAMETERS



NE21900
Coordinates in Ohms
Frequency in GHz
(VCE = 8 V, IC = 20 mA)

S-MAGN AND ANGLES:

VCE = 8 V, IC = 10 mA

FREQUENCY (MHz)	S11	S21	S12	S22
2000	.88 -56	1.57 -29	.44 47	.64 143
2500	.87 -67	1.50 -34	.52 41	.60 139
3000	.83 -77	1.39 -42	.58 31	.54 128
3500	.82 -85	1.26 -44	.60 27	.46 131
4000	.80 -93	1.18 -49	.64 21	.43 124
4500	.79 -98	1.12 -52	.67 14	.38 125
5000	.79 -103	1.02 -53	.68 11	.32 130
5500	.77 -109	1.00 -55	.72 7	.31 126
6000	.78 -113	.93 -57	.72 4	.25 142

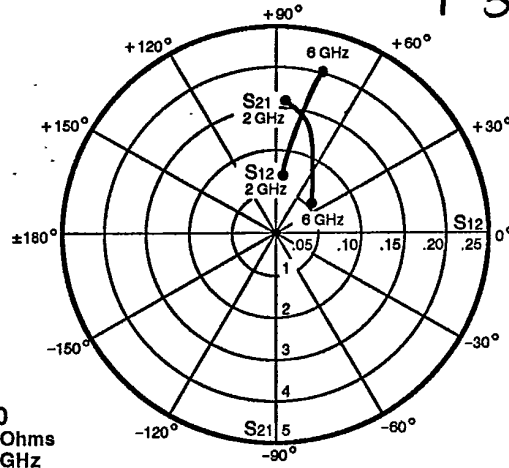
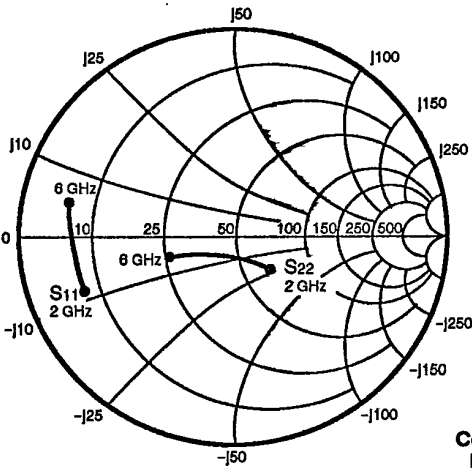
VCE = 8 V, IC = 20 mA

2000	.91 -53	1.66 -29	.40 51	.71 147
2500	.90 -64	1.59 -34	.47 45	.68 143
3000	.87 -74	1.47 -42	.53 35	.62 132
3500	.86 -82	1.35 -43	.55 32	.54 135
4000	.84 -90	1.26 -49	.60 26	.52 128
4500	.84 -95	1.20 -52	.63 19	.47 129
5000	.83 -101	1.09 -54	.64 16	.41 131
5500	.82 -107	1.07 -56	.64 12	.40 127
6000	.82 -111	.99 -59	.69 9	.34 138

VCE = 8 V, IC = 30 mA

2000	.91 -52	1.67 -29	.39 52	.74 148
2500	.91 -64	1.61 -34	.47 46	.70 144
3000	.87 -74	1.49 -42	.52 36	.64 133
3500	.87 -82	1.36 -44	.55 33	.57 136
4000	.84 -90	1.28 -50	.59 27	.54 129
4500	.85 -95	1.22 -53	.62 20	.50 129
5000	.84 -100	1.10 -55	.64 17	.43 131
5500	.83 -107	1.08 -57	.69 13	.42 127
6000	.84 -111	1.00 -59	.69 11	.36 137

TYPICAL COMMON EMITTER SCATTERING PARAMETERS



NE21900
Coordinates in Ohms
Frequency in GHz
(V_{CE} = 8 V, I_C = 20 mA)

S-MAGN AND ANGLES:

V_{CE} = 8 V, I_C = 10 mA

FREQUENCY (MHz)

S₁₁

S₂₁

S₁₂

S₂₂

2000	.70	-155	2.78	89	.08	72	.32	-44
2500	.68	-167	2.31	78	.09	72	.27	-45
3000	.72	-173	1.99	70	.11	74	.24	-42
3500	.74	-174	1.77	67	.12	77	.20	-58
4000	.70	176	1.57	55	.14	71	.13	-80
4500	.72	176	1.38	52	.15	74	.15	-101
5000	.76	172	1.26	46	.17	73	.19	-128
5500	.72	168	1.13	41	.19	71	.26	-143
6000	.73	168	.99	38	.19	72	.33	-148

V_{CE} = 8 V, I_C = 20 mA

2000	.69	-159	3.03	88	.07	81	.26	-46
2500	.67	-170	2.51	78	.09	79	.21	-44
3000	.72	-175	2.15	70	.11	79	.19	-39
3500	.74	-176	1.90	67	.13	81	.14	-58
4000	.69	175	1.68	56	.16	74	.08	-90
4500	.73	174	1.46	53	.16	77	.11	-115
5000	.76	172	1.34	47	.18	74	.16	-143
5500	.72	167	1.21	42	.19	73	.23	-154
6000	.73	167	1.07	40	.20	74	.30	-155

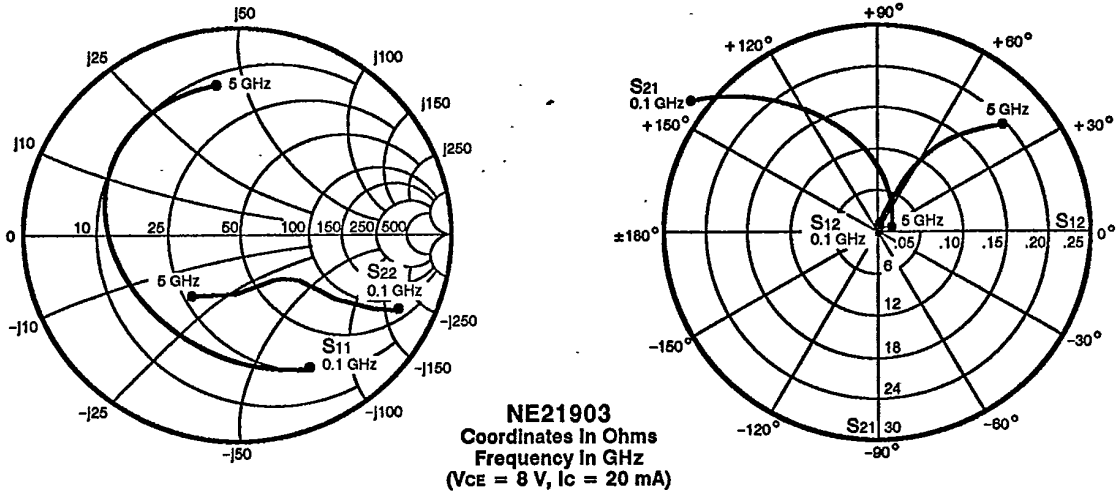
V_{CE} = 8 V, I_C = 30 mA

2000	.69	-161	3.07	87	.07	84	.25	-45
2500	.67	-171	2.53	77	.09	82	.20	-42
3000	.72	-176	2.16	70	.11	82	.18	-36
3500	.74	-177	1.92	67	.13	83	.13	-55
4000	.70	174	1.68	56	.15	75	.07	-86
4500	.73	174	1.49	52	.16	78	.09	-115
5000	.77	171	1.36	47	.18	75	.15	-144
5500	.73	167	1.22	41	.19	74	.22	-154
6000	.73	166	1.08	40	.20	74	.29	-155

2

NE219 SERIES

TYPICAL COMMON EMITTER SCATTERING PARAMETERS



S-MAGN AND ANGLES:

VCE = 8 V, IC = 10 mA

FREQUENCY (MHz)	S ₁₁		S ₂₁		S ₁₂		S ₂₂	
100	.79	-45	22.62	152	.01	77	.91	-18
500	.63	-140	9.88	102	.04	39	.47	-41
1000	.62	-173	5.30	81	.05	40	.36	-44
1500	.62	169	3.59	67	.07	43	.35	-49
2000	.62	156	2.68	57	.09	51	.35	-57
2500	.64	143	2.17	45	.10	51	.31	-69
3000	.67	134	1.88	35	.13	51	.32	-82
3500	.68	122	1.58	25	.14	44	.32	-94
4000	.70	114	1.40	13	.15	43	.34	-106
4500	.70	106	1.18	6	.17	39	.36	-116
5000	.71	98	1.10	-2	.19	38	.38	-124

VCE = 8 V, IC = 20 mA

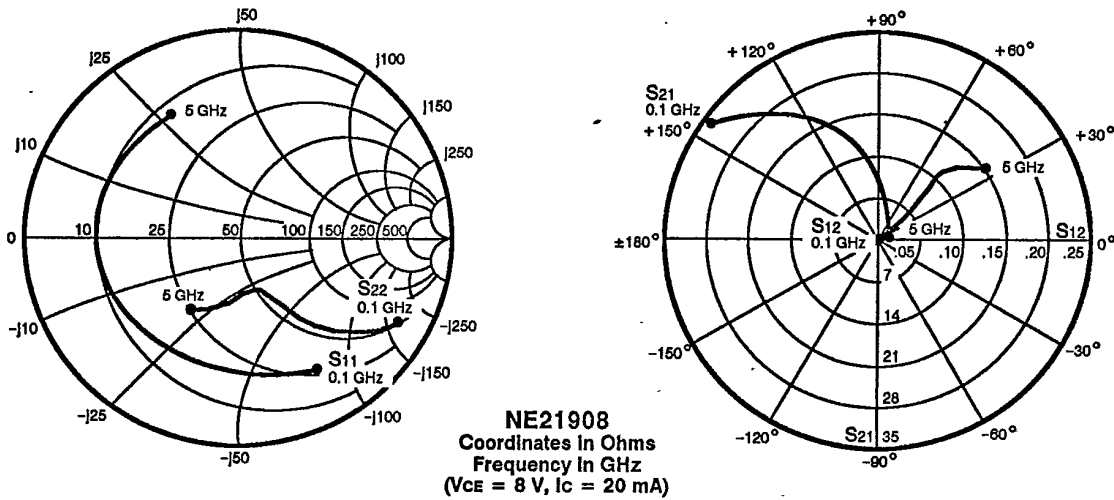
100	.69	-64	32.32	144	.01	71	.84	-24
500	.60	-166	11.17	96	.03	46	.37	-42
1000	.61	178	5.81	78	.04	53	.28	-44
1500	.61	164	3.92	66	.06	55	.28	-50
2000	.62	151	2.93	56	.09	59	.29	-59
2500	.64	140	2.38	46	.11	55	.25	-72
3000	.67	130	2.06	35	.13	51	.25	-85
3500	.68	120	1.73	26	.15	48	.26	-96
4000	.69	112	1.54	14	.16	44	.28	-108
4500	.69	105	1.32	7	.18	42	.31	-115
5000	.70	96	1.19	0	.20	40	.33	-125

VCE = 8 V, IC = 40 mA

100	.62	-84	39.23	136	.01	57	.76	-29
500	.60	-166	11.61	92	.02	54	.32	-39
1000	.61	173	5.94	76	.04	62	.25	-40
1500	.62	160	3.99	64	.06	59	.26	-47
2000	.62	149	2.98	55	.09	62	.27	-56
2500	.65	138	2.43	45	.11	56	.24	-70
3000	.66	129	2.11	34	.13	55	.24	-83
3500	.68	120	1.78	25	.15	51	.25	-94
4000	.70	112	1.59	13	.16	46	.27	-106
4500	.70	104	1.35	6	.18	43	.30	-113
5000	.71	97	1.26	-1	.20	39	.31	-124

NE219 SERIES

TYPICAL COMMON EMITTER SCATTERING PARAMETERS



S-MAGN AND ANGLES:

VCE = 8 V, IC = 5 mA

FREQUENCY (MHz)

	S11		S21		S12		S22	
100	.91	-29	14.21	160	.01	79	.96	-13
500	.73	-112	8.27	113	.07	38	.61	-40
1000	.68	-149	4.84	89	.08	26	.46	-53
1500	.67	-169	3.34	73	.08	22	.44	-58
2000	.67	180	2.53	62	.08	24	.43	-66
2500	.67	168	2.01	50	.09	24	.42	-76
3000	.67	158	1.73	40	.09	27	.44	-86
3500	.67	149	1.48	30	.10	29	.46	-94
4000	.67	141	1.34	20	.11	30	.49	-103
4500	.66	134	1.16	10	.12	30	.52	-110
5000	.66	125	1.06	3	.13	30	.55	-118

VCE = 8 V, IC = 10 mA

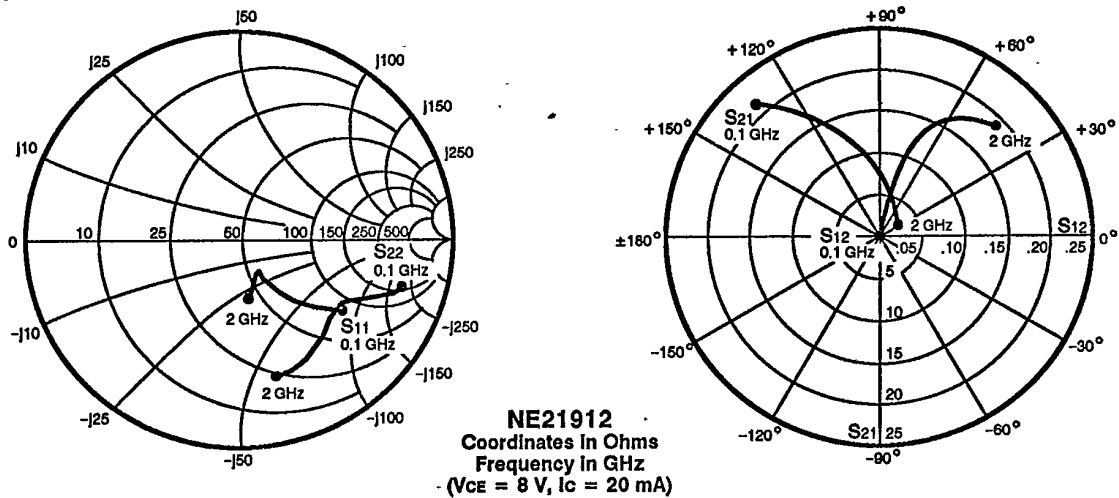
100	.84	-42	23.68	153	.01	78	.91	-19
500	.67	-132	10.89	105	.05	37	.45	-50
1000	.65	-163	5.90	84	.05	33	.32	-58
1500	.63	-178	4.00	71	.07	37	.31	-64
2000	.64	173	3.02	62	.08	42	.32	-71
2500	.65	160	2.47	50	.08	37	.31	-82
3000	.65	152	2.13	41	.09	40	.33	-91
3500	.65	143	1.82	32	.11	40	.35	-98
4000	.66	137	1.64	22	.12	38	.38	-107
4500	.65	130	1.44	13	.13	36	.41	-113
5000	.65	121	1.31	5	.14	32	.44	-121

VCE = 8 V, IC = 20 mA

100	.75	-59	34.58	145	.01	71	.84	-27
500	.65	-148	12.63	99	.03	43	.34	-58
1000	.65	-171	6.56	81	.04	43	.24	-65
1500	.64	176	4.44	69	.06	44	.24	-69
2000	.64	168	3.36	61	.07	49	.25	-77
2500	.65	156	2.73	51	.08	47	.24	-87
3000	.65	149	2.37	42	.10	47	.27	-95
3500	.65	141	2.02	32	.11	46	.30	-101
4000	.66	134	1.82	23	.13	42	.33	-109
4500	.65	127	1.58	13	.14	38	.36	-115
5000	.64	119	1.43	6	.15	35	.39	-123



TYPICAL COMMON EMITTER SCATTERING PARAMETERS



S-MAGN AND ANGLES:

VCE = 8 V, IC = 5 mA
FREQUENCY (MHz)

	S11		S21		S12		S22	
100	.80	-27	12.30	149	.01	74	.92	-13
200	.67	-46	9.87	130	.03	66	.83	-20
500	.37	-78	5.45	97	.07	62	.68	-31
1000	.19	-97	3.03	71	.11	62	.63	-43
1500	.16	-97	2.14	51	.15	57	.66	-59
2000	.20	-98	1.62	31	.16	46	.71	-78

VCE = 8 V, IC = 10 mA

100	.69	-31	17.67	140	.01	74	.86	-15
200	.53	-47	12.60	120	.02	67	.76	-22
500	.29	-66	6.18	92	.07	70	.64	-29
1000	.17	-73	3.34	69	.12	65	.59	-41
1500	.19	-76	2.33	51	.17	56	.62	-58
2000	.26	-87	1.75	31	.18	44	.69	-77

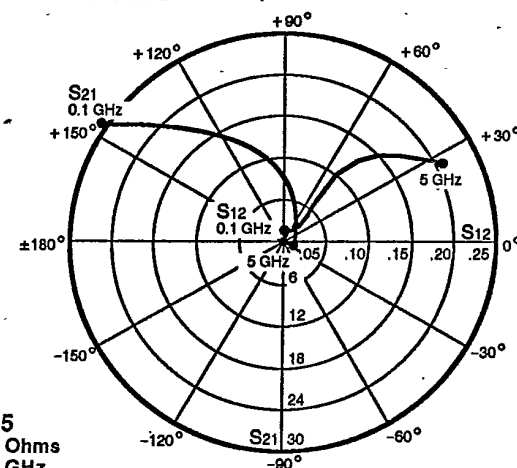
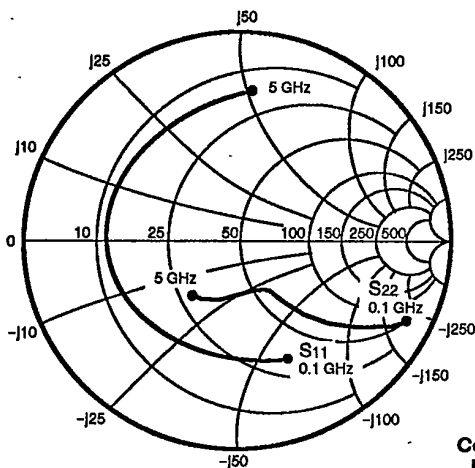
VCE = 8 V, IC = 20 mA

100	.58	-34	22.03	131	.01	70	.80	-17
200	.43	-47	14.19	112	.02	70	.70	-21
500	.24	-60	6.53	88	.07	71	.60	-29
1000	.17	-61	3.49	67	.13	66	.58	-40
1500	.20	-67	2.42	50	.17	56	.61	-57
2000	.29	-84	1.81	30	.18	43	.68	-77

VCE = 8 V, IC = 30 mA

100	.52	-36	23.55	126	.01	70	.77	-17
200	.38	-46	14.52	109	.02	71	.67	-20
500	.22	-58	6.54	86	.07	70	.59	-28
1000	.16	-58	3.48	66	.13	66	.58	-40
1500	.20	-65	2.41	49	.17	56	.61	-58
2000	.28	-83	1.80	29	.18	42	.68	-78

TYPICAL COMMON EMITTER SCATTERING PARAMETERS



NE21935
Coordinates in Ohms
Frequency in GHz
(VCE = 8 V, IC = 20 mA)

S-MAGN AND ANGLES:

VCE = 8 V, IC = 5 mA
FREQUENCY (MHz)

	S11		S21		S12		S22	
100	.80	-30	13.74	160	.01	80	.96	-12
500	.65	-117	8.05	112	.07	40	.62	-40
1000	.62	-159	4.72	86	.07	30	.45	-50
1500	.62	178	3.24	69	.08	30	.42	-56
2000	.62	162	2.44	56	.09	34	.42	-64
2500	.64	146	1.95	42	.10	28	.39	-76
3000	.65	133	1.67	30	.11	33	.40	-87
3500	.66	120	1.39	20	.13	33	.42	-97
4000	.67	109	1.27	9	.14	32	.43	-108
4500	.68	99	1.11	-1	.16	29	.45	-117
5000	.69	89	1.02	-10	.18	25	.48	-127

VCE = 8 V, IC = 10 mA

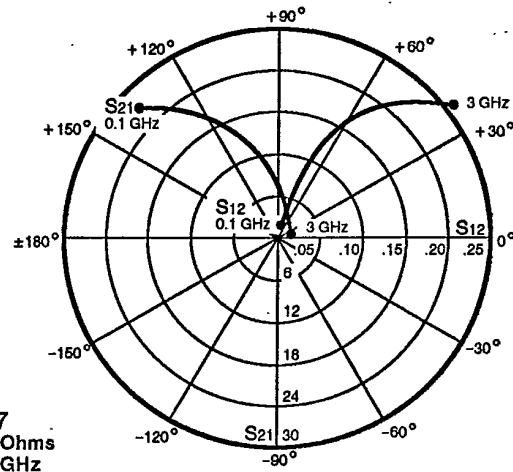
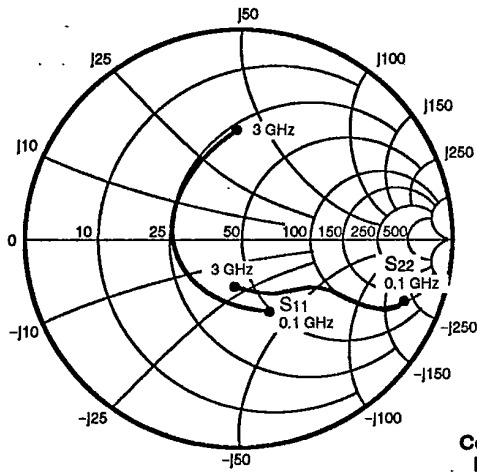
100	.67	-44	22.00	153	.01	76	.92	-18
500	.59	-139	10.21	104	.04	42	.48	-48
1000	.60	-173	5.57	82	.05	41	.34	-55
1500	.59	169	3.78	67	.07	42	.32	-61
2000	.60	155	2.86	56	.09	45	.32	-68
2500	.62	140	2.29	43	.11	43	.30	-80
3000	.63	129	1.96	31	.12	41	.31	-91
3500	.64	117	1.68	22	.14	39	.32	-101
4000	.65	107	1.50	11	.16	35	.34	-112
4500	.66	98	1.30	1	.18	29	.36	-121
5000	.67	87	1.20	-8	.19	25	.38	-131

VCE = 8 V, IC = 20 mA

100	.55	-66	31.47	146	.01	70	.86	-25
500	.57	-157	11.59	98	.03	48	.37	-52
1000	.59	177	6.10	79	.05	51	.26	-58
1500	.59	162	4.13	65	.07	53	.25	-63
2000	.59	150	3.09	55	.09	55	.26	-71
2500	.61	136	2.49	43	.11	46	.24	-84
3000	.62	125	2.13	32	.13	45	.26	-94
3500	.63	114	1.78	22	.15	42	.27	-104
4000	.65	105	1.62	12	.17	37	.29	-115
4500	.66	95	1.41	2	.19	31	.31	-123
5000	.67	85	1.31	-7	.20	26	.33	-132



TYPICAL COMMON EMITTER SCATTERING PARAMETERS



NE21937
Coordinates in Ohms
Frequency in GHz
(VCE = 8 V, IC = 20 mA)

S-MAGN AND ANGLES:

VCE = 8 V, IC = 5 mA

FREQUENCY (MHz)

	S11		S21		S12		S22	
100	.67	-36	12.58	154	.01	76	.95	-13
200	.56	-69	10.71	135	.03	58	.84	-21
500	.43	-132	6.19	102	.06	50	.60	-31
1000	.42	177	3.49	75	.09	51	.49	-40
1500	.44	148	2.41	56	.12	51	.46	-48
2000	.49	125	1.84	42	.16	52	.44	-60
2500	.54	105	1.50	26	.19	45	.37	-71
3000	.59	96	1.29	16	.24	42	.35	-95

VCE = 8 V, IC = 10 mA

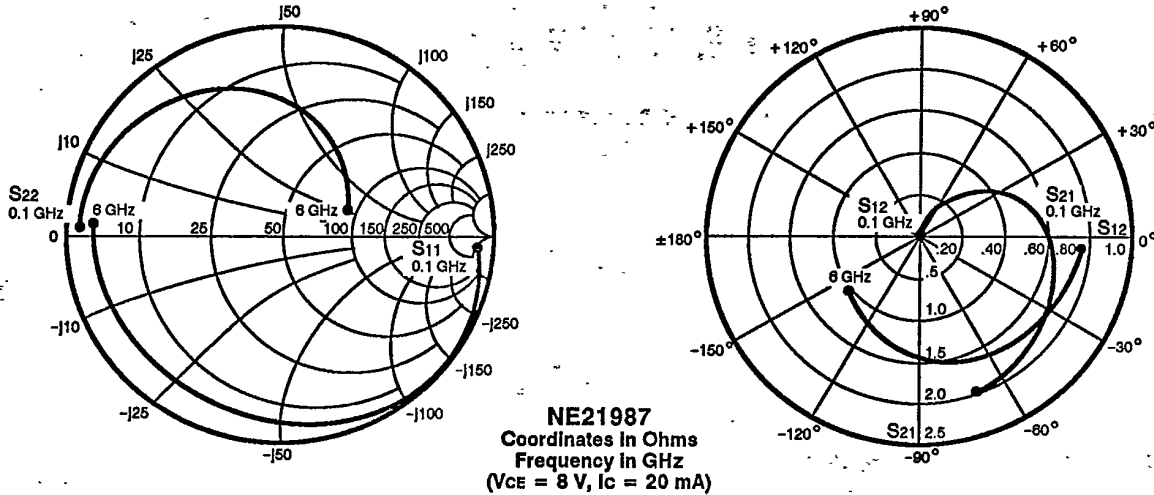
100	.53	-52	19.37	146	.01	72	.89	-17
200	.42	-91	14.71	125	.02	56	.73	-27
500	.36	-153	7.39	95	.05	58	.49	-32
1000	.38	165	3.98	72	.09	60	.41	-38
1500	.41	140	2.71	56	.13	57	.39	-47
2000	.45	122	2.07	42	.17	54	.36	-60
2500	.50	105	1.70	27	.21	47	.31	-73
3000	.55	93	1.44	14	.26	40	.28	-95

VCE = 8 V, IC = 20 mA

100	.39	-71	26.29	137	.01	74	.81	-23
200	.32	-118	17.89	116	.01	60	.62	-30
500	.32	-170	8.16	90	.05	66	.42	-30
1000	.36	156	4.28	70	.09	65	.36	-37
1500	.39	135	2.91	54	.14	59	.34	-46
2000	.43	118	2.22	42	.18	55	.31	-60
2500	.49	102	1.80	27	.22	46	.26	-77
3000	.53	91	1.53	14	.26	38	.23	-96

NE219 SERIES

TYPICAL COMMON COLLECTOR SCATTERING PARAMETERS



S-MAGN AND ANGLES:

VCE = 8 V, IC = 10 mA
FREQUENCY (MHz)

FREQUENCY (MHz)	S11	S21	S12	S22
100	.97	-4	.03	.85
500	.96	-20	.15	.86
1000	.98	-42	.29	.83
1500	.95	-62	.40	.78
2000	.91	-80	.50	.70
2500	.86	-96	.59	.64
3000	.85	-113	.66	.57
3500	.84	-129	.70	.49
4000	.82	-144	.73	.42
4500	.79	-158	.76	.36
5000	.77	-173	.79	.31
5500	.76	-176	.80	.26
6000	.73	-163	.81	.21

VCE = 8 V, IC = 20 mA

100	.98	-3	.03	.91
500	.97	-19	.13	.91
1000	1.00	-39	.24	.88
1500	.99	-58	.34	.85
2000	.94	-75	.44	.78
2500	.91	-90	.52	.74
3000	.91	-107	.59	.68
3500	.90	-122	.63	.60
4000	.89	-137	.69	.54
4500	.87	-150	.71	.48
5000	.85	-165	.75	.43
5500	.84	-176	.77	.37
6000	.82	-171	.78	.32

VCE = 8 V, IC = 40 mA

100	.97	-3	.03	.94
500	.97	-19	.11	.93
1000	1.00	-38	.22	.91
1500	.99	-57	.32	.89
2000	.95	-75	.41	.82
2500	.93	-91	.49	.79
3000	.93	-110	.57	.73
3500	.93	-127	.62	.65
4000	.91	-143	.67	.59
4500	.90	-158	.71	.53
5000	.88	-175	.75	.48
5500	.88	-172	.77	.42
6000	.85	-158	.79	.35

