

# High-speed FSK modem transmitter

# NE5080

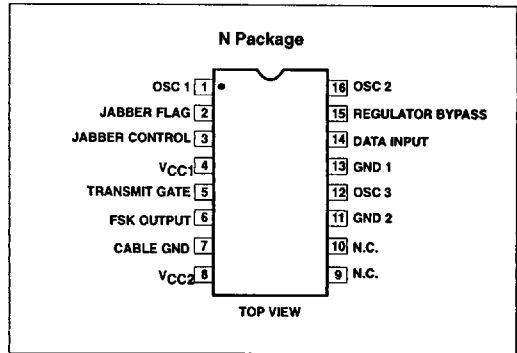
## DESCRIPTION

The NE5080 is the transmitter chip, of a two-chip set, designed to be the heart of an FSK modem. (The NE5081 is the receiver chip.) The chips are compatible with the IEEE 802.4 standard for a "Single-Channel" Phase-Continuous-FSK Token Bus." The specifications shown in this data sheet are those guaranteed when the transmitter is tuned for the frequencies given in the 802 standard. However, both the NE5080 and the NE5081 may be used at other frequencies. The ratio of logic high to logic low frequencies is normally at 1.67 to 1.00 at any center frequency; however, it can be varied externally. (See AN1950.)

## APPLICATIONS

- Local Area Networks
- Point-to-point communications
- Factory automation
- Process control
- Office automation

## PIN CONFIGURATION



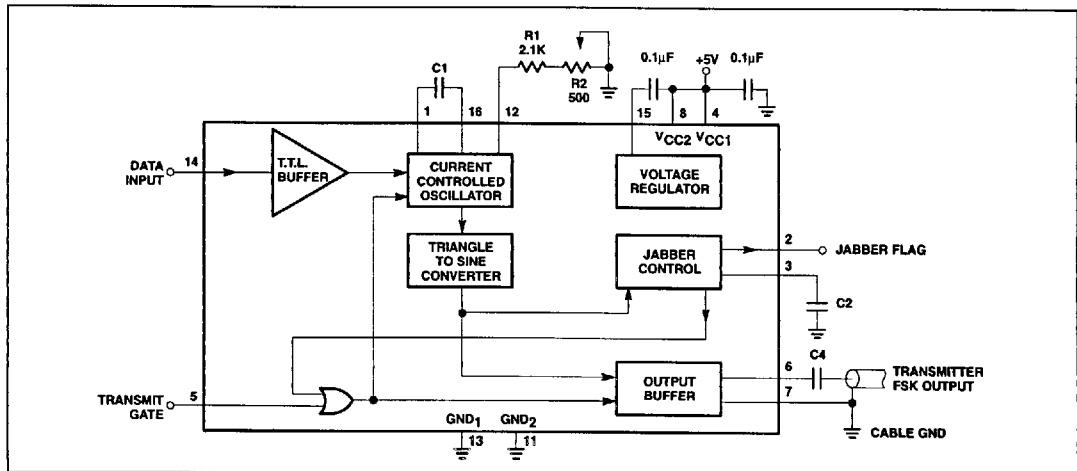
## FEATURES

- Meets IEEE 802.4 standard
- Data rates to several Megabaud
- Half- or full-duplex operation
- Jabber function on-chip

## ORDERING CODE

DESCRIPTION	TEMPERATURE RANGE	ORDER CODE	DWG #
16-Pin Plastic Dual In-Line Package (DIP)	0 to +70°C	NE5080N	0406C

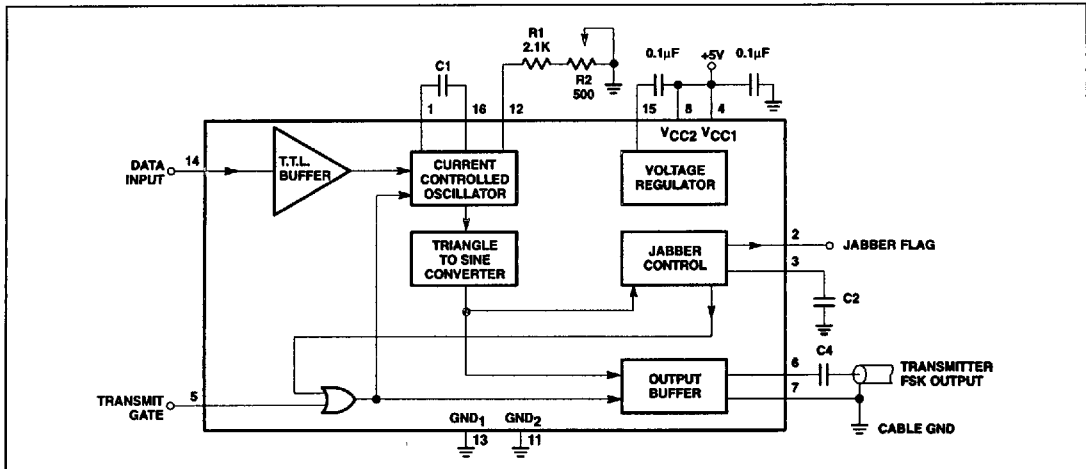
## BLOCK DIAGRAM



# High-speed FSK modem transmitter

NE5080

## BLOCK DIAGRAM



## ABSOLUTE MAXIMUM RATINGS

SYMBOL	PARAMETER	RATING	UNITS
$V_{CC1}$ $V_{CC2}$	Supply voltage	+6	V
$V_{IN}$	Input voltage range (Data, Gate)	-0.3 to $V_{CC}$	V
$P_D$	Power dissipation	800	mW
$T_A$	Operating temperature range	0 to +70	°C
$T_J$	Maximum junction temperature	+150	°C
$T_{STG}$	Storage temperature range	-65 to +150	°C
$T_{SOLD}$	Lead temperature (soldering, 10 sec)	300	°C

## NE5080 PIN FUNCTION

PIN	FUNCTION
1	OSC 1: One end of the external capacitor used to set the carrier frequency.
2	Jabber Flag: This pin goes to a logic high if the transmitter attempts to transmit for a longer time than allowed by the Jabber control function.
3	Jabber Control: Used to control transmit time. See note on Jabber function.
4	$V_{CC1}$ : Voltage supply.
5	Transmit Gate: A logic flow on this pin will enable the transmitter; a logic high will disable it.
6	Transmitter FSK Output
7	Cable Ground: The shield of the coax cable should be connected to this pin and to Pin 11.
8	$V_{CC2}$ : Connect to Pin 4 close to device.
9	No Connection
10	No Connection
11	Ground 2: Connect to Analog ground close to device.
12	OSC 3: A variable resistor between this point and ground is used to set the carrier frequencies.
13	Ground 1: Connect to Analog close to device.
14	Data Input
15	Regulator Bypass: A bypass capacitor between this pin and $V_{CC1}$ is required for the internal voltage regulator function.
16	OSC 2: One end of a capacitor that is between Pin 1 and Pin 16 and is used to set the carrier frequency.

# High-speed FSK modem transmitter

NE5080

## GENERAL DESCRIPTION

The NE5080 is designed to transmit high frequency asynchronous data on coaxial cable, at rates from DC to 2M baud (see Note 1). The chip accepts serial data and transmits it as a periodic signal whose frequency depends on whether the data is high or low.

The device is meant to operate at a frequency of 6.25MHz for a logic high and 3.75MHz for a logic low (see Note 2). The frequency is set up by external trimming components; however, the ratio of the high and low frequencies is set internally and cannot be altered.

The FSK output can be turned off by use of the transmit gate pin. When turned off, the transmitter has a high output impedance and the oscillator is disabled.

The length of time a transmitter can transmit can be controlled by the use of the Jabber control pin (see description of Jabber Control Pin).

### Jabber Control Pin

During the time the transmitter is transmitting, this pin sources a current. This current can be used to set the maximum time that the transmitter can be on. There are three options that can be used:

1. Use the current to charge a capacitor. When the voltage across the cap gets to approximately 1.4V, the transmitter will turn off. A

logic low applied to Pin 3 will reset the Jabber function; an open collector output should be used for this purpose. A logic high applied to the pin will disable the transmitter.

2. Use to externally sense the current and have external circuitry to control the length of time the transmitter is on.
3. The pin can be tied to ground and is then not active. Transmission is then controlled solely by the signal at the transmit gate pin.

### Jabber Flag Pin

This pin will go to a logic high when the Jabber Control pin is used to shut off the transmitter. It will latch and can be reset by applying a logic low to the Jabber Control pin.

### NOTES:

1. The NE5080 is capable of transmitting up to 1M baud of differential Manchester code at a center frequency of 5MHz.
2. Although the chip is designed to meet the requirements of IEEE standard 802.4 (Token-Passing Single-Channel Phase-Continuous-FSK Bus), it can be used at other frequencies.

## AC ELECTRICAL CHARACTERISTICS

SYMBOL	PARAMETER	TO	FROM	TEST CONDITIONS	LIMITS			UNIT
					Min	Typ	Max	
t <sub>S</sub>	Setup time	Data in	Gate on	Figure 1	2	0.1		μs
t <sub>A</sub>	Delay time	Output freq. change	Data transition	Figure 2			150	ns
t <sub>B</sub>	Delay time	Output disabled	Gate off	Figure 3		0.4	2	μs
t <sub>C</sub>	Delay time	Output disabled	Jabber control	Figure 4			100	ns
t <sub>D</sub>	Delay time	Jabber flag	Jabber control	Figure 5			100	ns
	Jabber control reset Pulse width (Logic low)				100			ns

# High-speed FSK modem transmitter

NE5080

## DC ELECTRICAL CHARACTERISTICS

$V_{CC1,2} = 4.75-5.25V$ ,  $T_A = 0^\circ C$  to  $+70^\circ C$ .

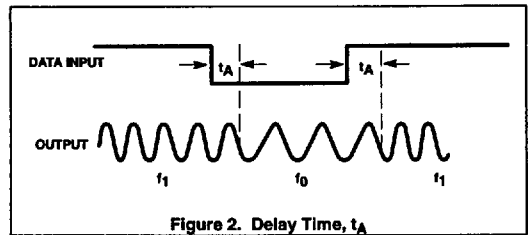
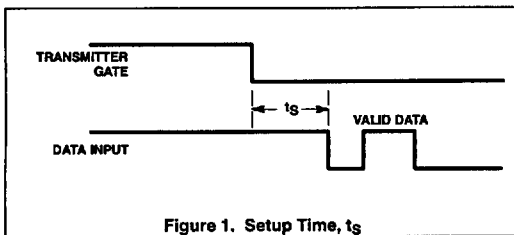
SYMBOL	PARAMETER	TEST CONDITIONS	LIMITS			UNIT
			Min	Typ	Max	
$f_1$	Output frequency (Logic high)	Data input $\geq 2.0V$ (See Note 1)	6.17	6.25	6.33	MHz
$f_0$	Output frequency (Logic low)	Data input $\leq 0.8V$ (See Note 1)	3.67	3.75	3.83	MHz
$V_O$	Output amplitude	Data Input $\geq 2.0V$ or $\leq 0.8V$ Output Load = $37.5\Omega$	0.5		1.0	$V_{RMS}$
$R_{OFF}$	Output impedance (gated off)	Transmit gate $\geq 2.0V$	100			$k\Omega$
$R_{ON}$	Output impedance (gated on)	Transmit gate $\leq 0.8V$			37.5	$\Omega$
$C_O$	Output capacitance	Transmit gate $\geq 2.0V$ or $\leq 0.8V$			10	pF
$V_F$	Feedthrough	Transmit gate $\geq 2.0V$ 2.0MHz sq. wave (TTL levels) input			1	$mV_{RMS}$
$I_J$	Jabber current	Transmit gate $\leq 0.8V$ Input $\geq 2.0V$ or $\leq 0.8V$		1.25		$\mu A$
$I_{CC}$	Supply current	$V_{CC1}$ connected to $V_{CC2}$		75	100	mA

### Logic levels

$V_{IH}$	Data Input Logic high	Input high voltage	2.0			V
$V_{IL}$	Logic low	Input low voltage			0.8	V
$I_{IH}$	Input current	$V_{IN} = 2.4V$			40	$\mu A$
$I_{IL}$	Input current	$V_{IN} = 0.4V$			-1.6	mA
$V_{IH}$	Transmit gate Logic high	Input high voltage	2.0			V
$V_{IL}$	Logic low	Input low voltage			0.8	V
$I_{IH}$	Input current	$V_G = 2.4V$			40	$\mu A$
$I_{IL}$	Input current	$V_G = 0.4V$			-1.6	mA
$V_{OH}$	Jabber flag Logic high	$I_{OH} = -400\mu A$	2.4			V
$V_{OL}$	Logic low	$I_{OL} = 4.0mA$			0.4	V
$V_{IH}$	Jabber control Logic high	Input high voltage	2.0			V
$V_{IL}$	Logic low	Input low voltage			0.8	V

### NOTE:

1. Tuned per instructions in AN195.



# High-speed FSK modem transmitter

## NE5080

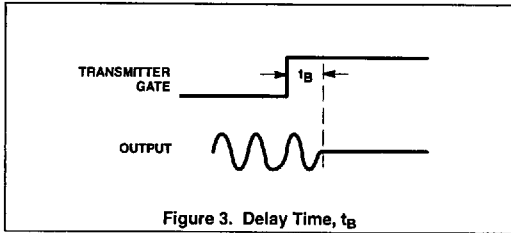


Figure 3. Delay Time,  $t_B$

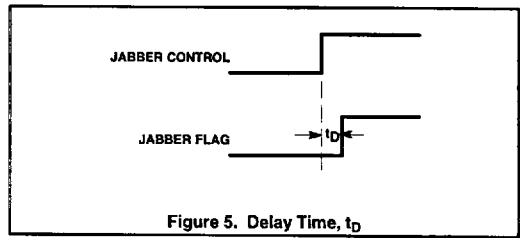


Figure 5. Delay Time,  $t_D$

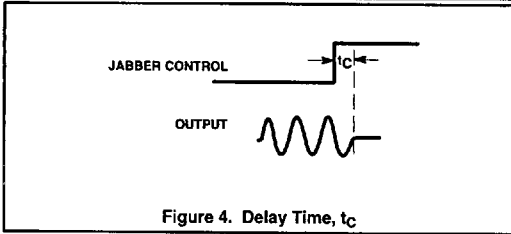


Figure 4. Delay Time,  $t_C$