

Audio processor - filter and control section

NE/SA5751

DESCRIPTION

The NE/SA5751 is a high performance low power CMOS audio signal processing system. The NE/SA5751 subsystems include complementary transmit/receive voice band (300–3000Hz), switched capacitor bandpass filters with pre-emphasis and de-emphasis respectively, a transmit low pass filter, peak deviation limiter for transmit, a digitally controlled volume control with 30dB range (in 2dB steps), audio path mute switches, a programmable DTMF generator, power-down circuitry for low current standby, power-on reset capability, and an I²C interface. When the SA5751 is used with an SA5750 (companding function), the complete audio processing system of an AMPs or TACs cellular telephone is easily implemented.

FEATURES

- Low power
- High performance
- 5V supply
- Built-in programmable DTMF generator
- Built-in digitally controlled volume control
- Built-in peak-deviation limit
- I²C Bus controlled
- Power-on reset
- Power-down capability

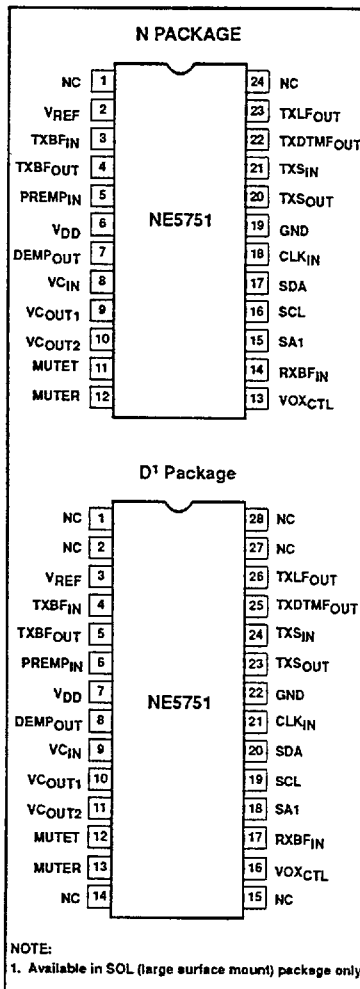
BENEFITS

- Very compact application
- Long battery life in portable equipment
- Complete cellular audio function with the SA5750

APPLICATIONS

- Cellular radio
- Mobile communications
- High performance cordless telephones
- 2-way radio

PIN CONFIGURATION



ORDERING INFORMATION

DESCRIPTION	TEMPERATURE RANGE	ORDER CODE
24-Pin Plastic DIP	0 to +70°C	NE5751N
28-Pin Plastic SOL	0 to +70°C	NE5751D
24-Pin Plastic DIP	-40 to +85°C	SA5751N
28-Pin Plastic SOL	-40 to +85°C	SA5751D

Audio processor - filter and control section

NE/SA5751

PIN DESCRIPTIONS

PIN NO.	SYMBOL	DESCRIPTION
(1)	NC	Not connected
1 (2)	NC	Not connected
2 (3)	V _{REF}	Reference voltage
3 (4)	TXBF _{IN}	Transmit bandpass filter input
4 (5)	TXBF _{OUT}	Transmit bandpass filter output
5 (6)	PREMP _{IN}	Pre-emphasis input
6 (7)	V _{DD}	Positive supply
7 (8)	DEMP _{OUT}	De-emphasis output
8 (9)	VC _{IN}	Volume control input
9 (10)	VC _{OUT1}	Volume control output 1
10 (11)	VC _{OUT2}	Volume control output 2
11 (12)	MUTET	TX analog voice path mute input
12 (13)	MUTER	RX analog voice path mute input
(14)	NC	Not connected
(15)	NC	Not connected
13 (16)	VOX _{CTL}	Vox control output
14 (17)	RXBF _{IN}	Receive bandpass filter input
15 (18)	SA1	Serial bus address
16 (19)	SCL	Serial clock line
17 (20)	SDA	Serial data line
18 (21)	CLK _{IN}	Clock input
19 (22)	GND	Ground
20 (23)	TXS _{OUT}	Transmit summer output
21 (24)	TXS _{IN}	Transmit summer input
22 (25)	TXDTMF _{OUT}	Transmit DTMF output
23 (26)	TXLF _{OUT}	Transmit low-pass filter output
24 (27)	NC	Not connected
(28)	NC	Not connected

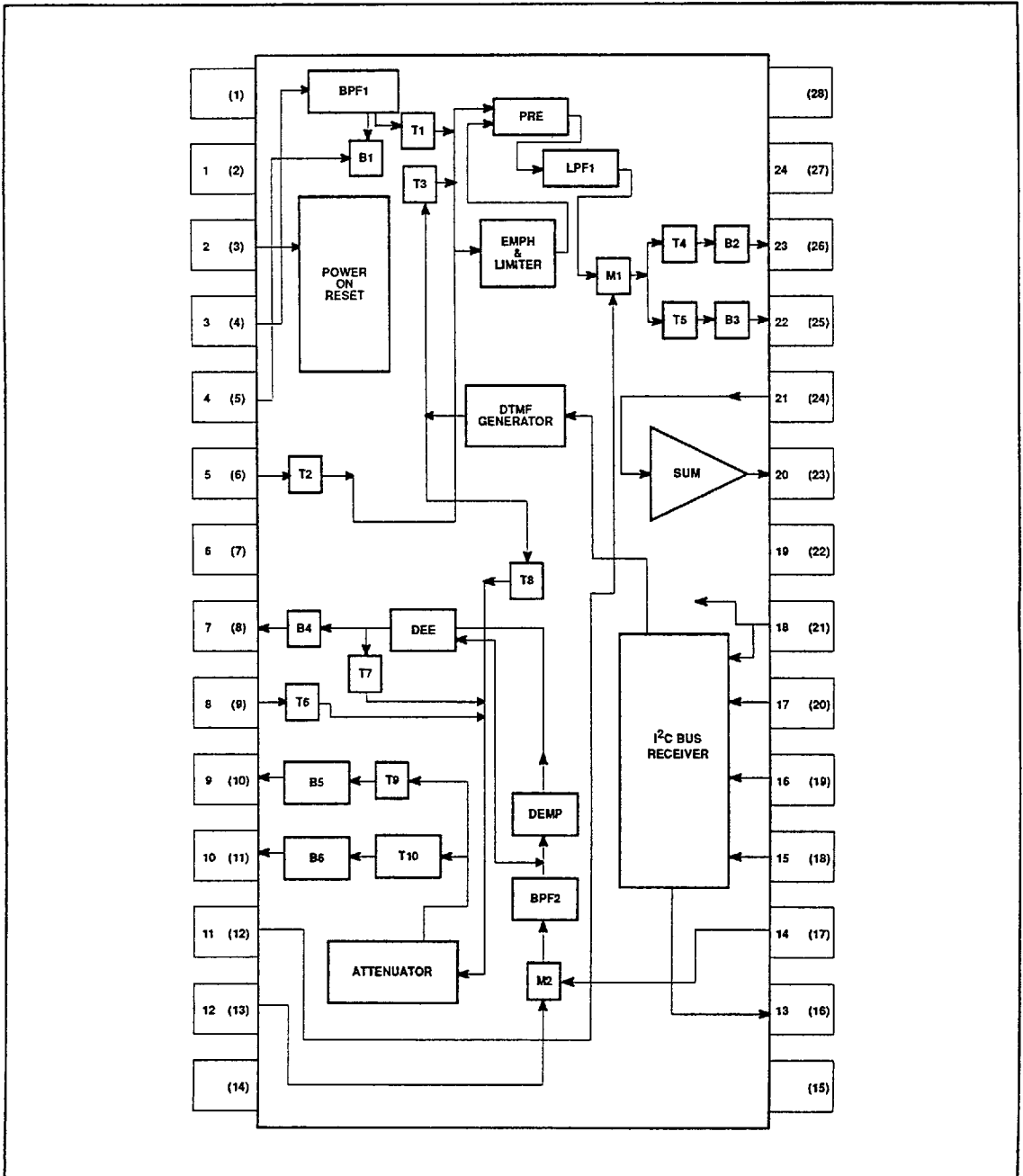
NOTE:

1. Callouts are for N package; those in parentheses are for the D (SOL) package

Audio processor - filter and control section

NE/SA5751

BLOCK DIAGRAM



NOTES:

1. T1 to T10 represent the signal path switches.
2. M1 and M2 represent the mute switches.
3. PRE and DEE represent the bypass switches for pre-emphasis and de-emphasis, respectively.
4. B1 to B6 represent the output buffers

Audio processor - filter and control section

NE/SA5751

ABSOLUTE MAXIMUM RATINGS

SYMBOL	PARAMETER	RATING	UNIT
	Power supply voltage ¹	6	V
T _{STG}	Storage temperature	-65 to +150	°C
T _A	Ambient operating temperature NE5751 SA5751	0 to 70	°C
		-40 to +85	°C

NOTE:

1. Voltage applied to any pin -0.3 to V_{DD} +0.3V

DC ELECTRICAL CHARACTERISTICS

T_A = 25°C, V_{DD} = +5.0V, unless otherwise specified. See test circuit, Figure 4.

SYMBOL	PARAMETER	TEST CONDITIONS	LIMITS			UNIT
			MIN	TYP	MAX	
V _{DD}	Power supply voltage range		4.75	5.0	5.25	V
I _{DD}	Supply current	Operating Standby		2.7 0.9	5.0 2.0	mA mA

AC ELECTRICAL CHARACTERISTICS

T_A = 25°C, V_{DD} = +5.0V. See test circuit, Figure 4. Clock frequency = 1.2MHz;test level = 0dBV = 77.5mV_{RMS} = -20dBm, unless otherwise specified.

SYMBOL	PARAMETER	TEST CONDITIONS	LIMITS			UNIT
			MIN	TYP	MAX	
	RX BPF anti alias rejection			40		dB
	RX BPF input impedance	f = 1kHz		500		kΩ
	RX BPF gain with de-emphasis	f = 1kHz	-0.5	0	0.5	dB
	RX BPF gain with de-emphasis	f = 100Hz		-31	-29	dBm0
	RX BPF gain with de-emphasis	f = 300Hz	9.0	9.6	11.0	dBm0
	RX BPF gain with de-emphasis	f = 3kHz	-11.0	-10.0	-9.0	dBm0
	RX BPF gain with de-emphasis	f = 5.9kHz		-68	-50	dBm0
	RX BPF noise with de-emphasis	300Hz-3kHz		170		μV _{RMS}
	RX dynamic range	with deemphasis		80		dB
	DEMP _{OUT} output impedance	f = 1kHz		40		Ω
	DEMP _{OUT} output swing (1%)	2.3kΩ to V _{REF} ; f = 1kHz	V _{DD} -3	3.5		V _{P-P}
	VC _{OUT1} output swing (1%)	50kΩ to V _{REF} ; f = 1kHz	V _{DD} -1	4.5		V _{P-P}
	VC _{OUT2} output swing (1%)	50kΩ to V _{REF} ; f = 1kHz	V _{DD} -1	4.5		V _{P-P}
	VC _{OUT1} noise	VC _{IN} grounded C - message		25		μV _{RMS}
	VC _{OUT2} noise	VC _{IN} grounded C - message		25		μV _{RMS}
	Mute threshold off		0		0.8	V
	Mute threshold on		2.0		5.0	V
	CLK1, 2 high		4.0		5.0	V
	CLK1, 2 low		0		1.0	V
	TX BPF anti alias rejection			40		dB
	TX BPF input impedance	f = 3kHz		500		kΩ

Audio processor - filter and control section

NE/SA5751

AC ELECTRICAL CHARACTERISTICS (continued)

SYMBOL	PARAMETER	TEST CONDITIONS	LIMITS			UNIT
			MIN	TYP	MAX	
	TX BPF noise	300 – 3000kHz		90		μV_{RMS}
	TX LPF gain	$f = 5.9\text{kHz}$		-39	-36	dB
	TX LPF gain with pre-emphasis	$f = 1\text{kHz}$, 20dBV		12.06		dB
	TX LPF gain with pre-emphasis	$f = 100\text{Hz}$		-19		dBm0
	TX LPF gain with pre-emphasis	$f = 300\text{Hz}$		-10.45		dBm0
	TX LPF gain with pre-emphasis	$f = 3\text{kHz}$		9.14		dBm0
	TX LPF gain with pre-emphasis	$f = 5900\text{Hz}$		-39		dBm0
	TX LPF gain with pre-emphasis	$f = 9\text{kHz}$		-51		dBm0
	TX overall gain	1kHz	11.3	11.8	12.5	dB
	TX overall gain	100Hz		-47	-45	dBm0
	TX overall gain	300Hz	-11	-10.4	-9	dBm0
	TX overall gain	3kHz	8	9	9.6	dBm0
	TX overall gain	5.9kHz		-52	-45	dBm0
	TX BPF output impedance	$f = 1\text{kHz}$		360		Ω
	TX BPF output swing (1%THD)	$50\text{k}\Omega$ to V_{REF} $f = 1\text{kHz}$		4.5		$V_{\text{P-P}}$
	TX BPF dynamic range			90		dB
	PREMP _{IN} input impedance	$f = 3\text{kHz}$		500		k Ω
	Summing op amp					
	Slew rate	$C_L = 15\text{pF}$		0.75		$\text{V}/\mu\text{s}$
	Output impedance	Unity gain; $f = 3\text{kHz}$		40		Ω
	Output swing (1% THD)	1kHz, 5k Ω load (25°C)		4.3		$V_{\text{P-P}}$
	Volume control accuracy	-30dB to 0dB	-1	0	+1	dB
	Analog switches					
	Insertion loss			60		dB
	On time transition	MUTET, MUTER 0.8V → 2.0V		3		μs
	Off time transition	MUTET, MUTER 2.0V → 0.8V		0.25		μs

I²C CHARACTERISTICS

The I²C bus is for 2-way, 2-line communication between different ICs or modules. The two lines are a serial data line (SDA) and a serial clock line (SCL). Both SDA and SCL are bidirectional lines connected to a positive supply voltage via a pull-up resistor. When the bus is free, both lines are high. Data transfer may be initiated only when the bus is not busy.

The output devices, or stages, connected to the bus must have an open drain or open collector output in order to perform the wired-AND function.

Data at the I²C bus can be transferred at a rate up to 100kbits/s. The number of devices con-

nected to the bus is solely dependent on the maximum allowed bus capacitance of 400pF.

Due to the variety of different devices which can be connected to the I²C bus, the levels of the logical "0" and "1" are not fixed and depend on the appropriate level of V_{DD} . For the typical supply voltage of 5V which is chosen here, logical "1" and logical "0" are, however, fixed respectively on maximum input LOW voltage, 1.5V and minimum input HIGH voltage, 3.0V.

BIT TRANSFER

One data bit is transferred during each clock pulse. The data on the SDA line must remain stable during the HIGH period of the clock's

cycle. If it does not remain HIGH, it may be interrupted as a control signal.

START AND STOP CONDITIONS

Both data and clock lines remain HIGH when the bus is not busy. A HIGH to LOW transition of the data line while the clock line is HIGH is defined as a start condition S. A LOW to HIGH transition of the data line while the clock is HIGH is defined as a stop condition.

SYSTEM CONFIGURATIONS

A device generating a message is a "transmitter"; a device receiving a message is the "receiver". The device that controls the message is the "master", and devices which are controlled by the master are the "slaves".

Audio processor - filter and control section

NE/SA5751

ACKNOWLEDGE

The number of data bytes transferred between the start and the stop condition from transmitter to receiver is not limited. Each byte of eight bits is followed by one acknowledge bit. The acknowledge bit is a HIGH level put on the bus by the transmitter whereas the master generates an extra acknowledge related clock pulse. A slave receiver which is addressed must generate an acknowledge after the reception of each byte that has been clocked out of the slave transmitter. The device that acknowledges has to pull down the SDA line during the acknowledge clock pulse, so that the SDA line is stable LOW during the HIGH period of the acknowledge related clock pulse; set up and hold times must be taken into account.

I²C BUS DATA CONFIGURATIONS

The NE5751 is always a slave receiver in the I²C bus configuration (R/W bit=0). The slave address consists of seven bits in the serial mode where the least significant bit is selectable by hardware on input A0 and the other more significant bits are internally fixed.

POWER ON RESET

In order to avoid undefined states of the NE5751 when the power is switched on, a power on reset is supplied. The reset is active when Pin V_{REF} is held below 0.8V. The reset is off when Pin V_{REF} is above 2.0V. Pin V_{REF} is normally at 2.5V generated by a resistive divider from V_{DD}. Nominal impedance is 20kΩ. In a typical application a capacitor is connected to Pin V_{REF} to improve power supply rejection. The time delay of the network resets the internal registers when power is first applied. The signal paths are off in the reset condition. The NE5751 must be programmed via the I²C bus for normal operation. The Power Down mode is defined only when all register values are zero.

CONTROL REGISTERS

Register Map

The address register is as follows:

MSB							LSB	
A6	A5	A4	A3	A2	A1	A0	R/W	
1	0	0	0	0	0	0	SA1	0

SA1 is controlled by serial bus address pin

Signal Path Register

MSB							LSB	
T10	T9	T8	T6	VOX _{EN}	T4	T3	T5	T2
T2	is the transmission gate between Pin PREEMP _{IN} and the emphasis input.							
T3	T5 connects the output of the DTMF generator to the emphasis input and connects the output of the XMT LPF to Pin TXDTMF _{OUT} .							
T4	connects the output of the XMT LPF to Pin TXL _{OUT} .							
VOX _{EN}	enables the VOX function of NE5750.							
T6	connects Pin VC _{IN} to the volume control.							
T8	connects the output of the DTMF generator to the volume control.							
T9	enables VC _{OUT1} .							
T10	enables VC _{OUT2} .							

Volume Control and Test Register

MSB				LSB				
PDW	T1	T7	DEE	PRE	V1	V2	V3	V4
V4	is volume control bit 4. This is the MSB. A zero is 16dB attenuation.							
V3	is volume control bit 3. A zero is 8dB attenuation.							
V2	is volume control bit 2. A zero is 4dB attenuation.							
V1	is volume control bit 1. A zero is 2dB attenuation.							

PRE	is the bypass for the pre-emphasis.	
DEE	is the bypass for the de-emphasis.	
T1	T7	is the bypass for the compressor and expander.
PDW	is the control for power down mode.	

This mode is defined only when all register values are reset to zero.

High Tone DTMF Register

MSB							LSB	
HD7	HD6	HD5	HD4	HD3	HD2	HD1	HD0	

The eight bits determine the output frequency by the following formula.:

$$\text{High Frequency} = 1200\text{kHz}/6/\text{HD}$$

where HD is the value of the register.

Low Tone DTMF Register

MSB							LSB	
LD7	LD6	LD5	LD4	LD3	LD2	LD1	LD0	

The eight bits determine the output frequency by the following formula.:

$$\text{Low Frequency} = 1200\text{kHz}/12/\text{LD}$$

where LD is the value of the register.

The operation of the 96ms DTMF timer is initiated by the loading of the low tone DTMF register. This timer terminates transmission of the tones as the generated tones cross the reference level after 96ms. The on time of the tones can thus vary by up to one cycle of the tones.

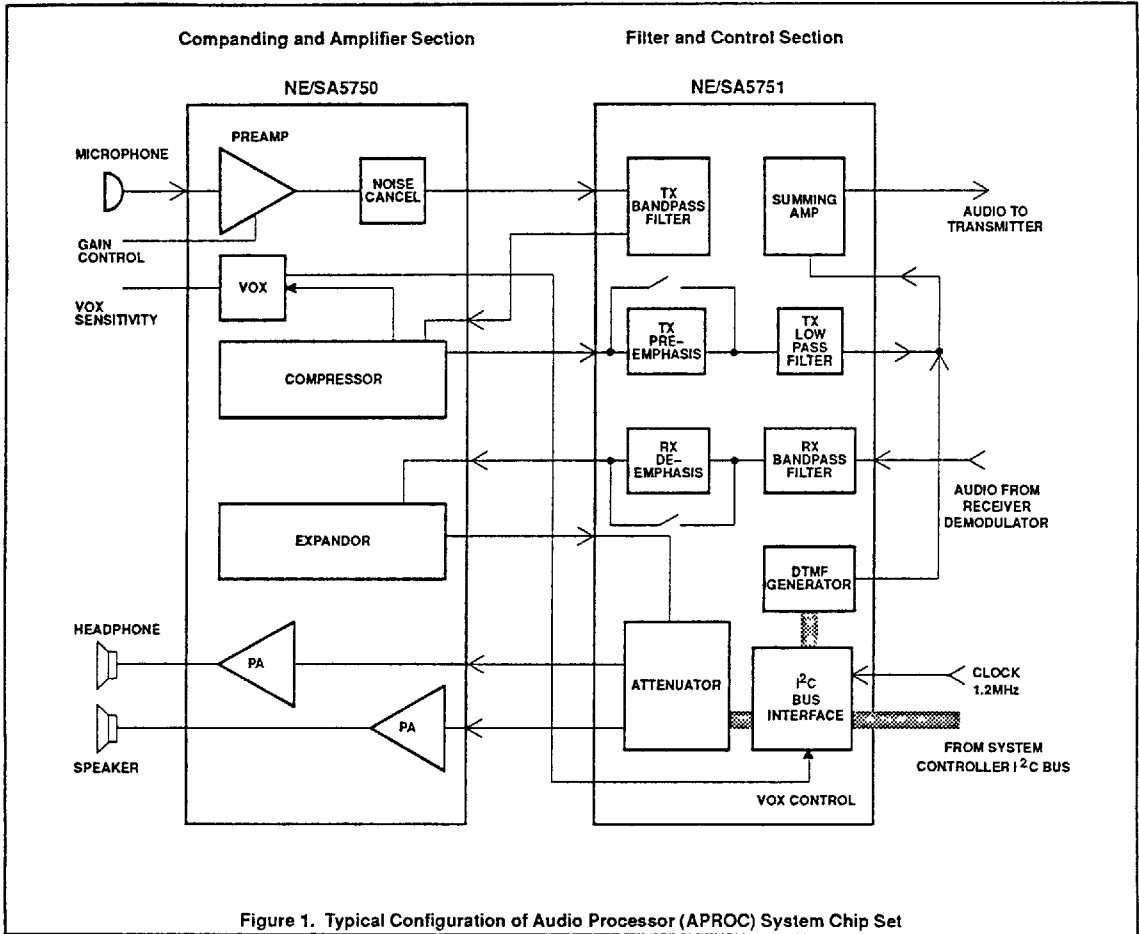
Continuous tones can be obtained by again loading the two DTMF registers before 96ms have elapsed.

Single tones can be obtained by loading 0, 1 or 2 into one of the registers to silence it.

Phase continuous frequency modulation can be produced by loading a new value into a DTMF register during operation.

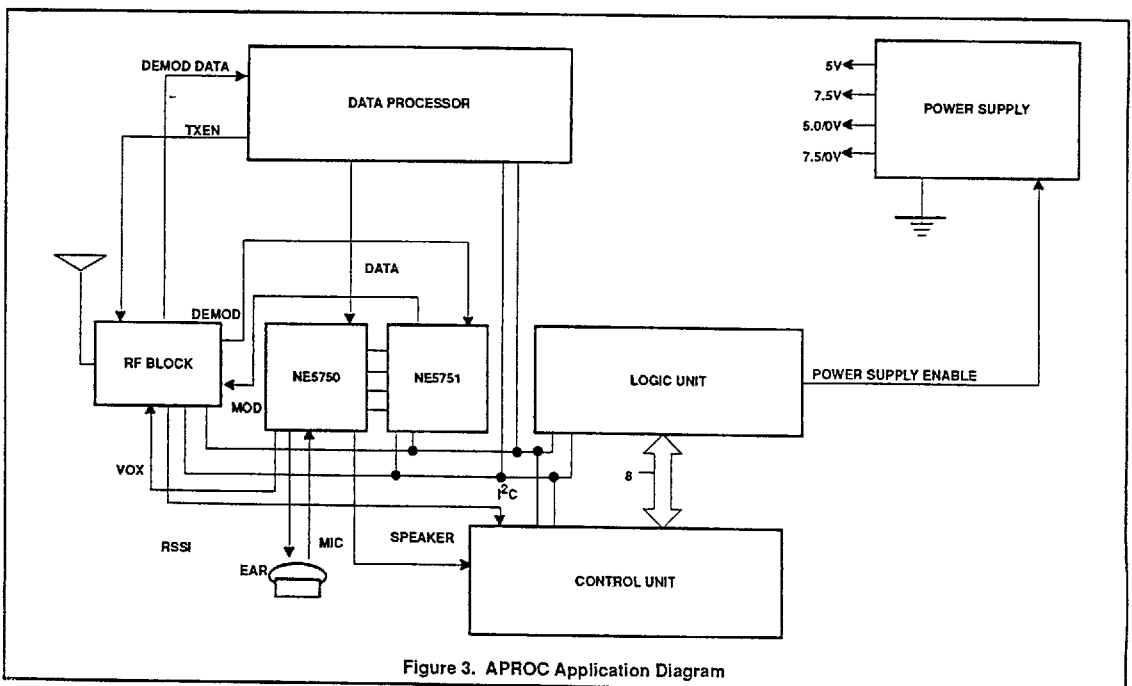
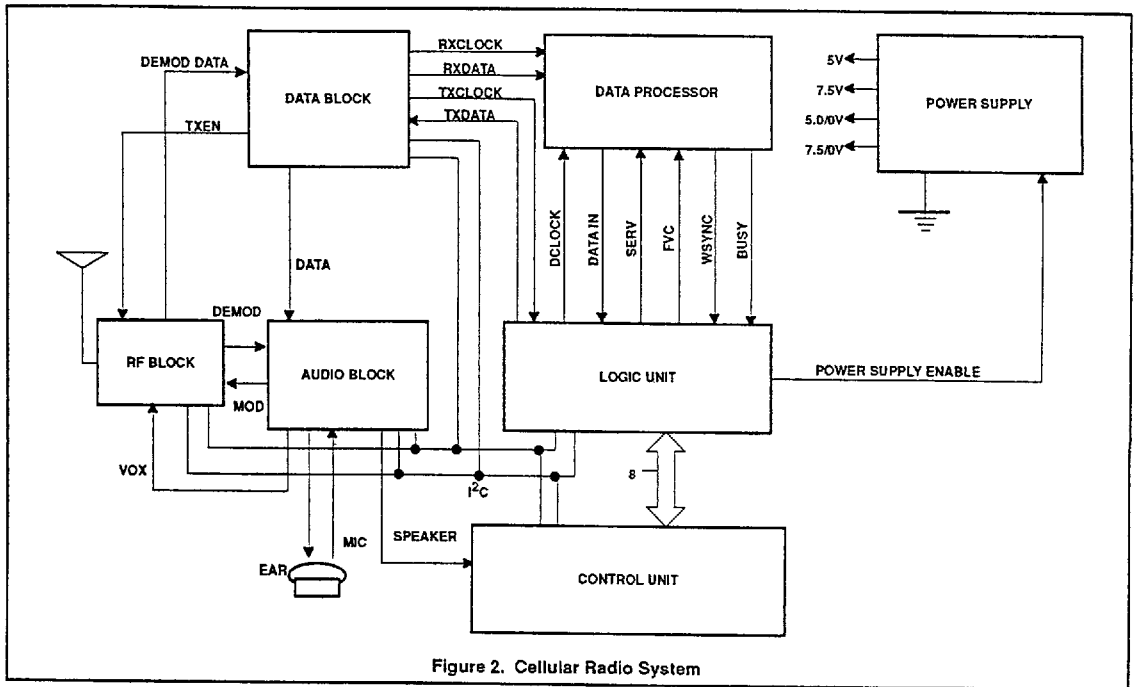
Audio processor - filter and control section

NE/SA5751



Audio processor - filter and control section

NE/SA5751



Audio processor - filter
and control section

NE/SA5751

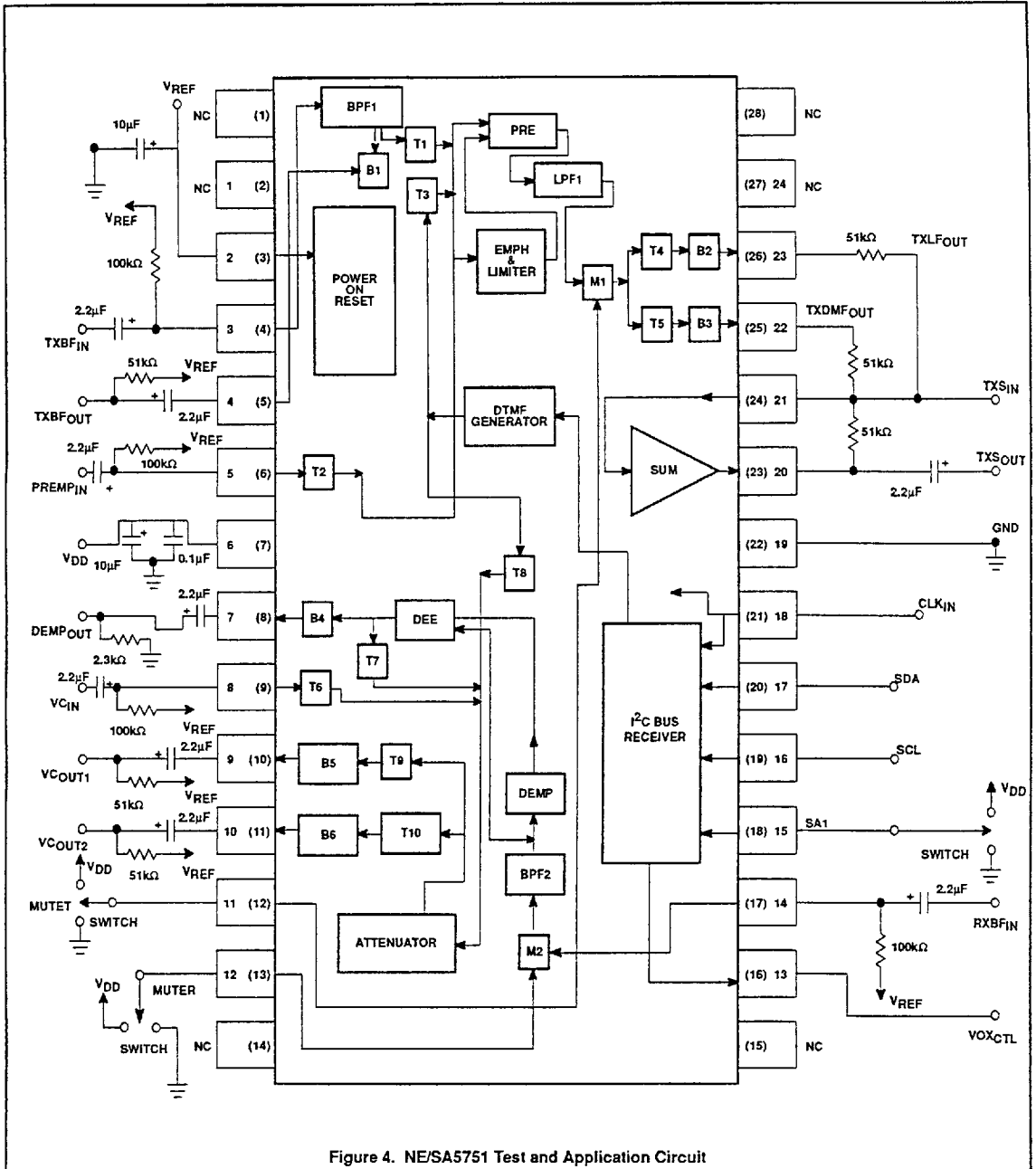


Figure 4. NE/SA5751 Test and Application Circuit

Audio processor - filter
and control section

NE/SA5751

PERFORMANCE CHARACTERISTIC

