

Characteristics:

High Power DC motor

Specifications:

Dimensions	: Ø 20.4 X 15.4 X 32.1 mm
Shaft Diameter	: Ø 2.000 mm
Input Voltage	: 13.0 V DC
No Load Speed	: 25000 rpm
No Load Current	: 0.20 A
Nominal Speed	: 22000 rpm
Nominal Torque	: 3.00 mNm
Nominal Current	: 0.80 A
Stall Torque	: 20.00 mNm
Stall Current	: 4.50 A
Maximum Output Power	: 15.00 W
Maximum Efficiency	: 65 %
Torque at Maximum Efficiency	: 4.00 mNm
Speed at Maximum Efficiency	: 21000 rpm
Life (typical)	: 100 hr
Weight	: 35 g
Operation Temperature	: -10 to 55 °C
Storage Temperature	: -20 to 80 °C
Electrical Connection	: terminals



Ø 20.0 – 24.9 mm

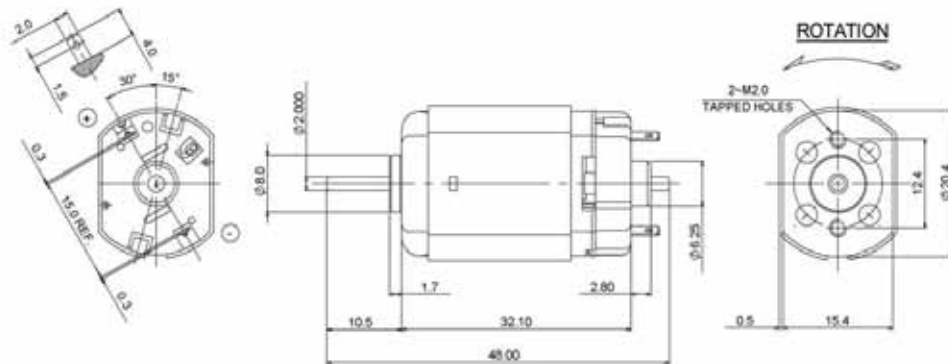
Performance Data:

	No Load	Stall	Max Efficiency	Max Power
Current (A)	0.20	4.50	1.00	2.50
Efficiency (%)	-	-	65	45
Output Power (W)	-	-	8.00	15.00
Speed (rpm)	25000	-	21000	12500
Torque (mNm)	-	20.00	4.00	10.00

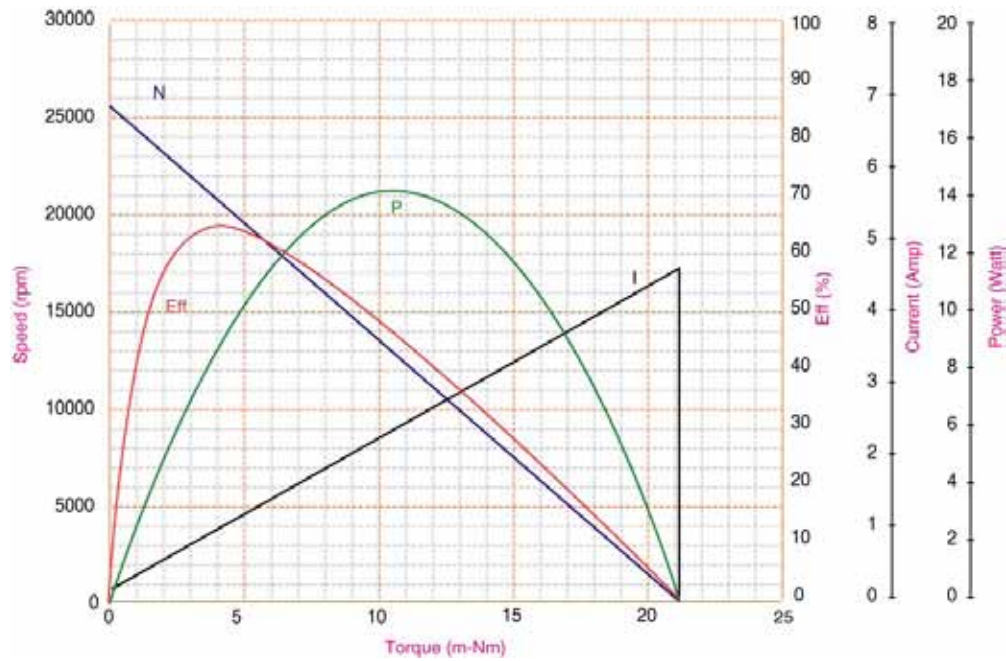
Application Examples:

Hair Dryers

Drawing:



Performance Curves:



Units in Metric

Ø 20.0 – 24.9 mm