

NF4000C-TT Series

3 Phase & 4 lines 500VAC

Inquiry

Large current(50 up to 200A)

Application

Inverter/UPS/CVCF

Specifications

Part No.	Rated Current	
NF4050C-TT	50A	fig1
NF4080C-TT	80A	fig2
NF4100C-TT	100A	fig3
NF4200C-TT	200A	fig4
Rated Voltage	500VAC max	
Leakage Current	5mA max 500VAC 60Hz	

fig1 (50A)

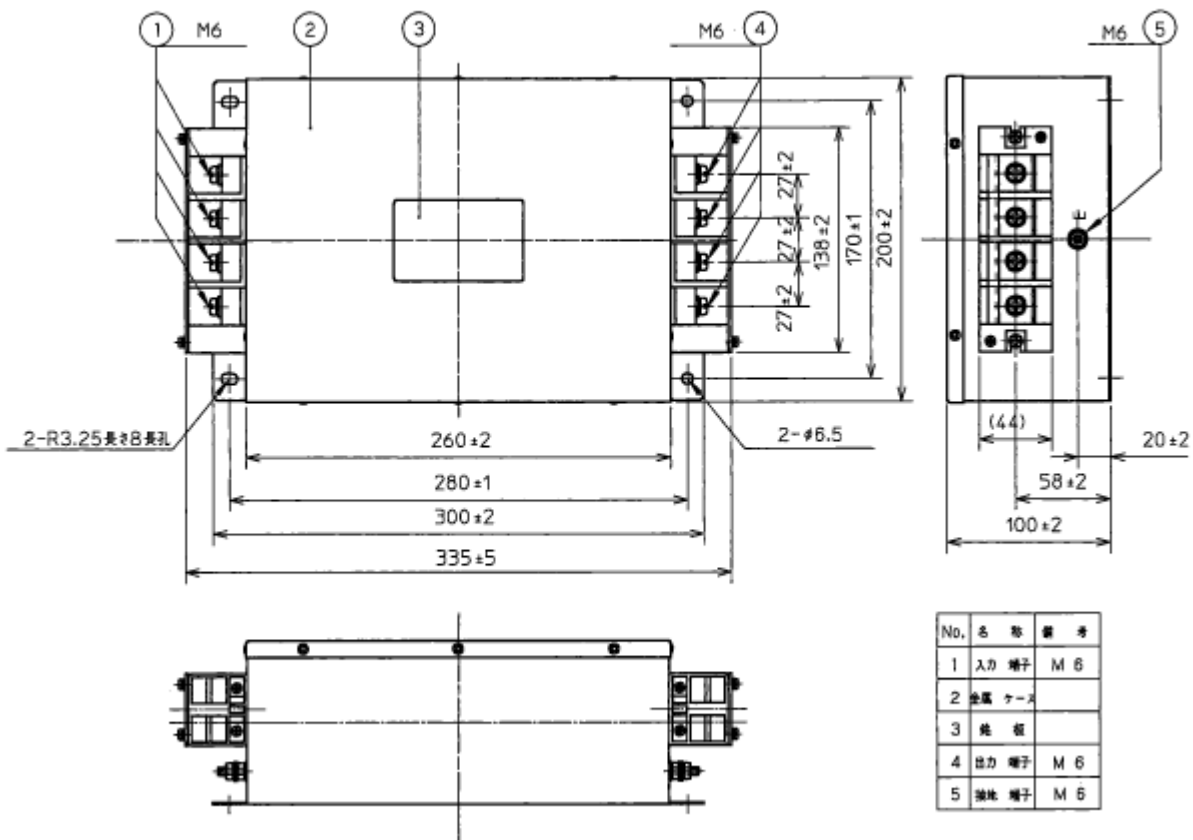


fig2 (80A)

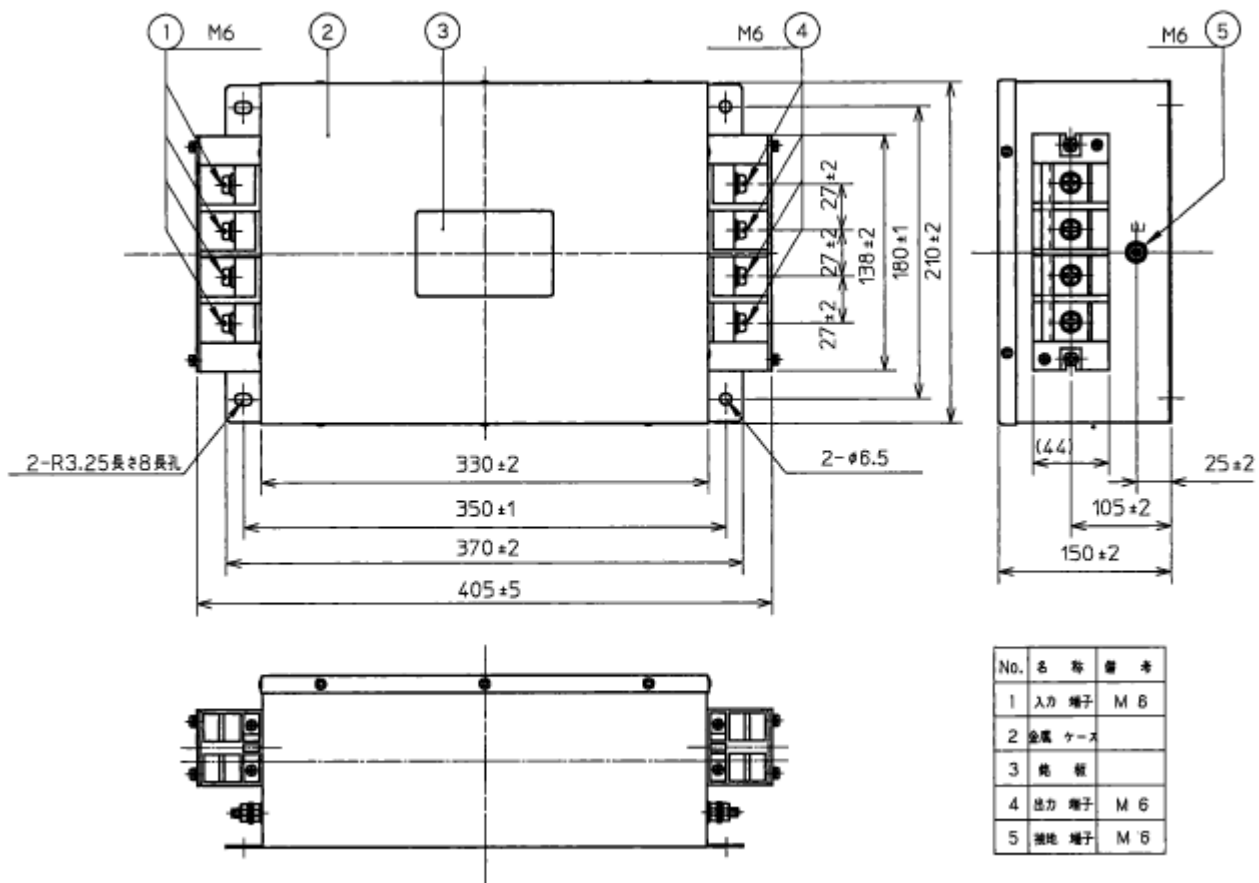


fig3 (100A)

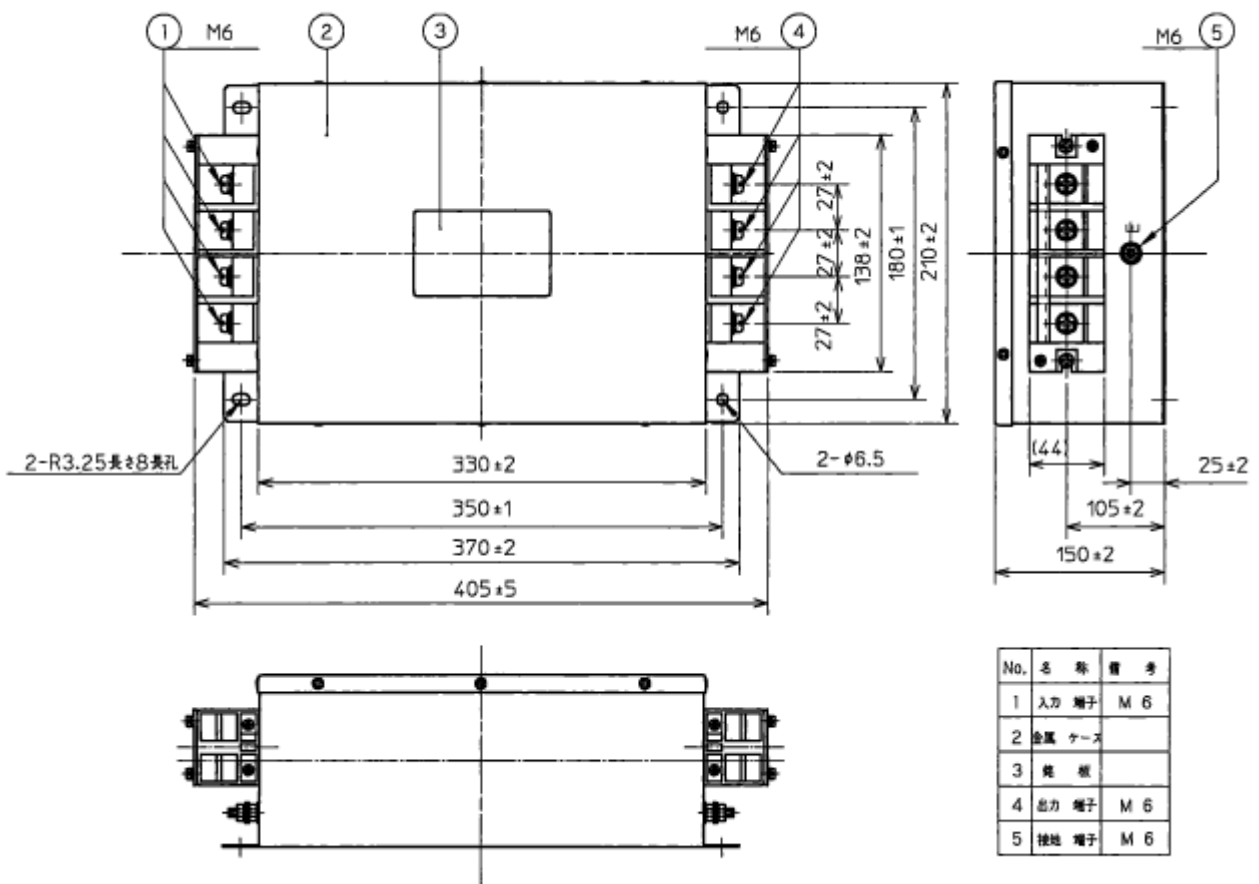
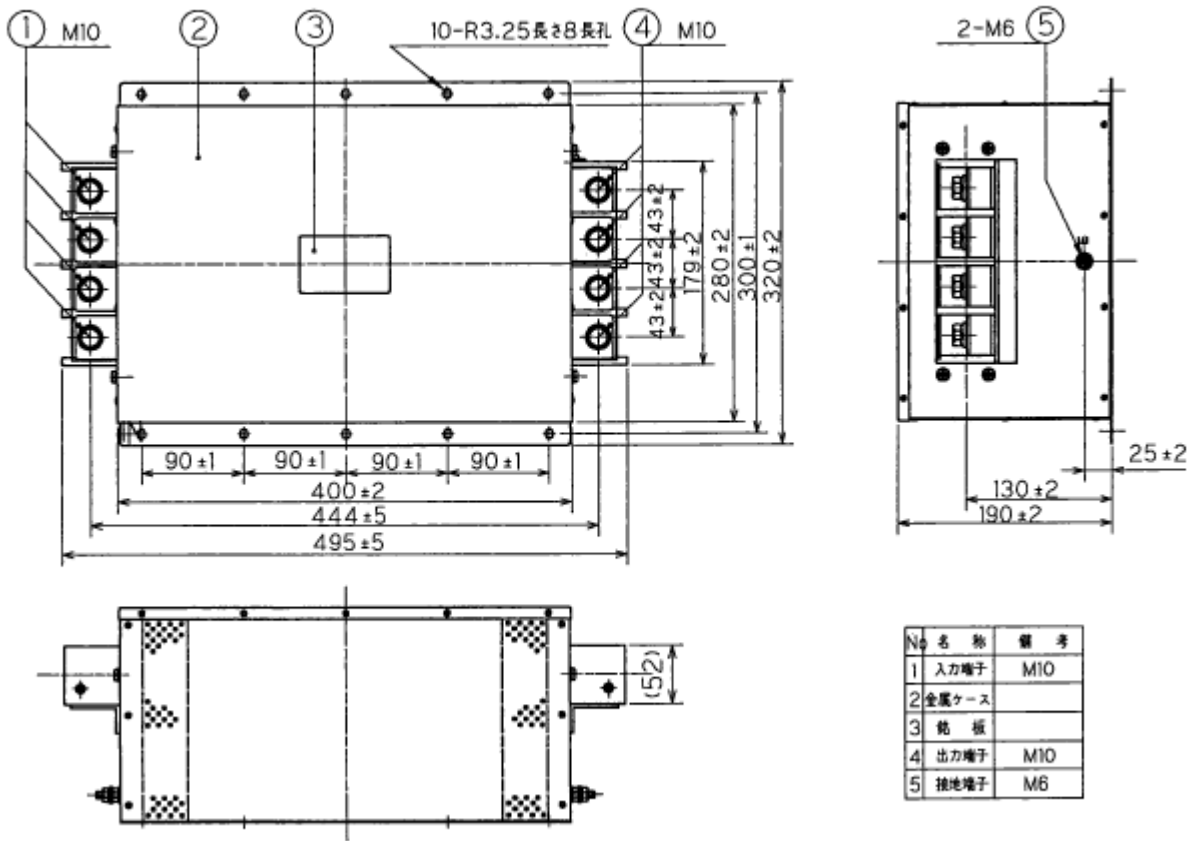
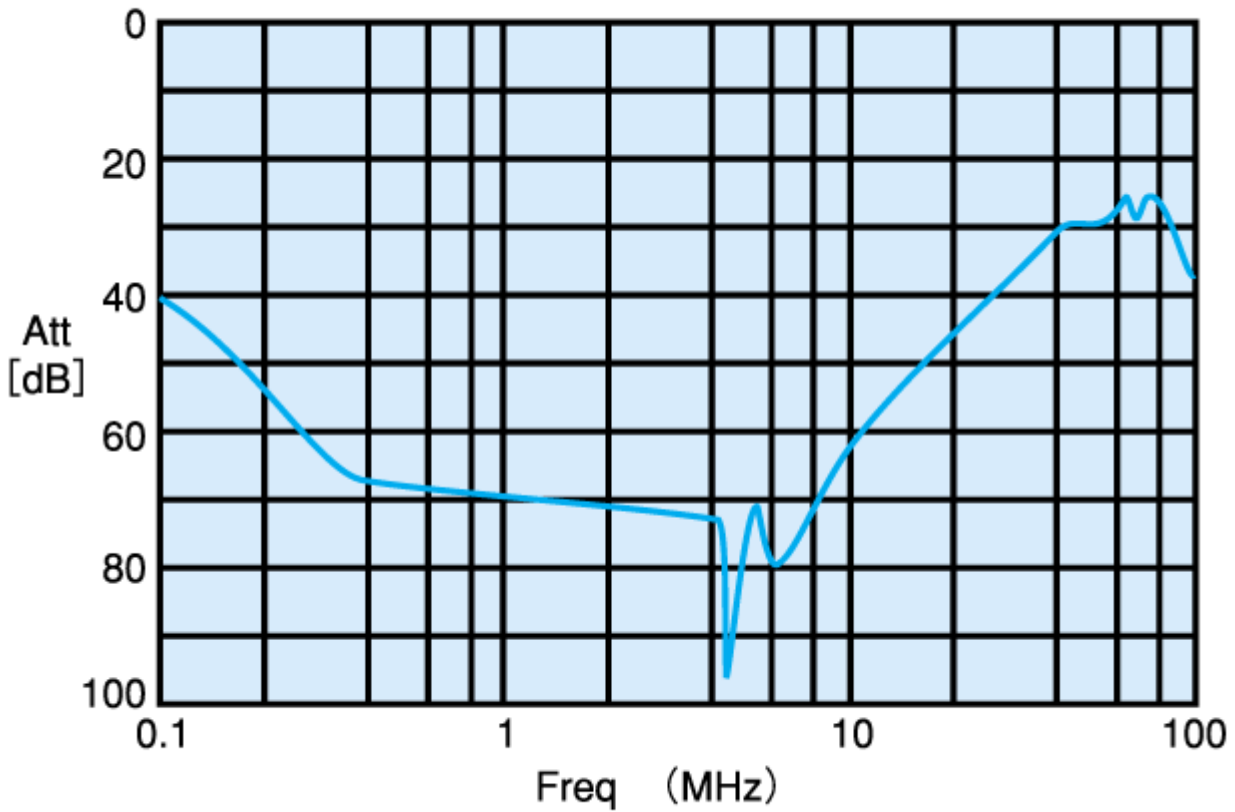


fig4 (200A)



Frequency Data



Circuit Diagram

IN

OUT

