

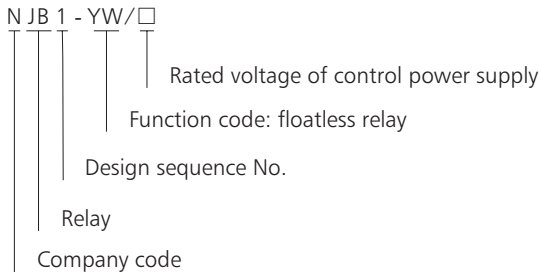


NJB1-YW Floatless Relay

1. General

NJB1-YW Floatless Relay is applicable for water level automatic control in industrial facilities & equipments, civil water tower, high cistern, underground conservation pool, etc. The control of automatic water supply or drainage may be achieved by a single operation of the function switch without modifying the user's connecting conditons. This product is not applicable for water level control of flammable and explosive liquid, such as oil, chemical liquid, etc.

2. Type designation

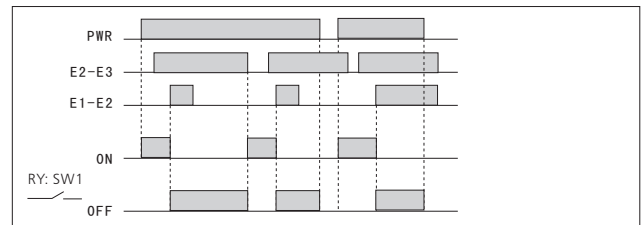


3. Technical data

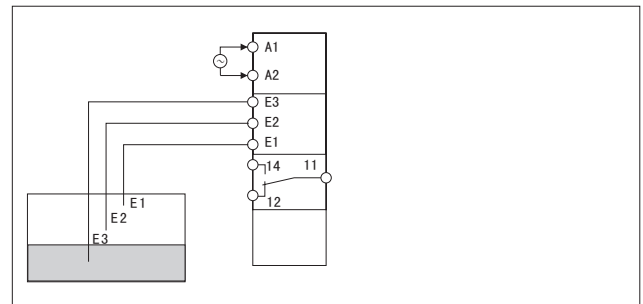
Type	NJB1-YW
Operating mode	Continuous operating
Contact number	1 Switching
Operating voltage	AC 50Hz/60Hz 36V, 110V, 220V, 380V, (other voltage may be custom made)
Voltage between electrodes	AC9V
Power consumption	Max value about 3VA
Operation resistance	5kΩ~100kΩ(adjustable)
Resetting resistance	250kΩmax
Response time	0.1s~10s(adjustable)
Cable length	Max length 100m
Indication mode	Green LED: power supply indication; red LED:relay operation indication
Ambient temperature	-5℃~+40℃
Installation mode	Equipment or Track Type

4. Operation time-sequence diagram and wiring diagram

NJB1-YW operation time-sequence diagram



NJB1-YW wiring diagram



5. Overall and mounting dimensions (mm)

