

Released

Cathode

Model No. NJK1120A

Copyright©
Nisshinbo Micro Devices Inc.
Microwave Business Headquarters

-Notice of Proprietary Information-

This document and its contents are proprietary to Nisshinbo Micro Devices Inc.
This publication and its contents may not be reproduced or distributed for any other purpose
without the written permission of Nisshinbo Micro Devices Inc.
Those specifications listed in this document are subject to change at any time.

■ GENERAL DESCRIPTION

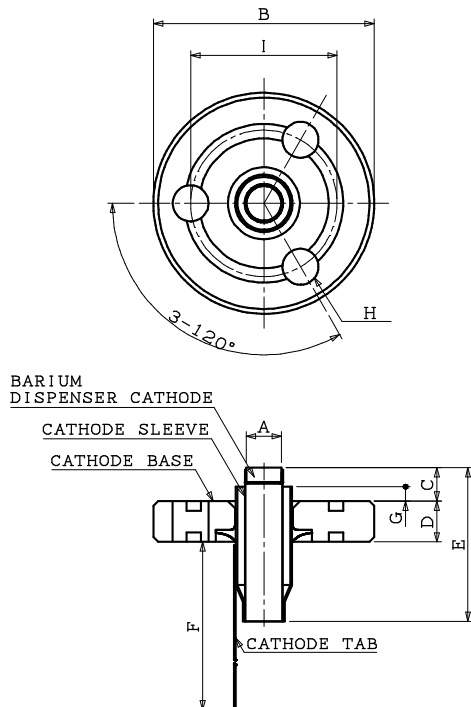
NJK1120A is a cathode includes the Ir coated dispenser cathode electron emitter.

■ CATHODE SPECIFICATIONS

Cathode type: Ir coated dispenser cathode
 Cathode diameter: 1.5 mm / Area: 0.018 cm²
 Current density: 10 A/cm² minimum
 Heater voltage (Note): 6.3 V
 Heater current (Note): 0.3 A
 *Note: Heater NJK1140(Optional) installed.



■ OUTLINE



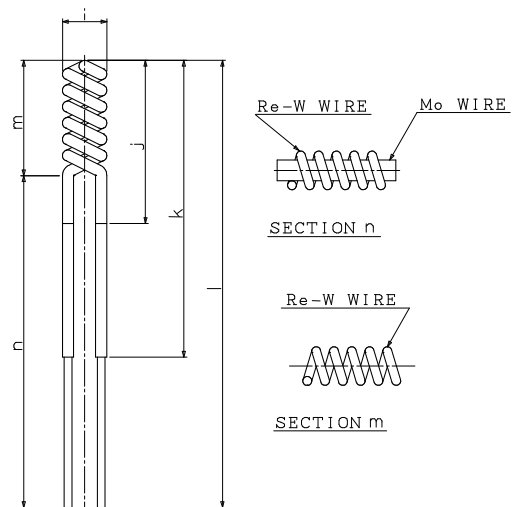
DEMENSIONS	Unit : mm
A	φ1.45 ± 0.1
B	φ9.2 ± 0.1
C	1.4 ± 0.05
D	1.7 ± 0.1
E	6.4 ± 0.3
F	15 ± 1
G	0.7max
H	φ1.5 ± 0.2
I	φ6.1 ± 0.3

NJK1140

OPTION

Heater

■ OUTLINE



DEMENSIONS	Unit : mm
i	φ1.5 -0.1
j *1	5.5 ± 1.5
k *2	10 ± 1.5
l	15 ± 1

*1: Al₂O₃ Black COATING SECTION
 *2: Al₂O₃ COATING SECTION

*Above Specifications are subject to change without notice.