

PHOTO REFLECTOR

■ GENERAL DESCRIPTION

The NJL5172K/72KF is the single-in-line super miniature, super thin type photo Reflector, which consist of high output power LED and high sensitive Siphoto transistor. There are pin-loaction difference between NJL5171K and NJL5172K.

■ FEATURES

- Super miniature, Super thin type
- Built-in visible light cut off filter
- High output, Hith S/N ratio

■ APPLICATIONS

- End detector of video, audio tape etc.
- Rotation detection and control of various motors, audio turntables.
- Paper edge detection of facsimile, printer, X-Y recorder, so on.
- Line code reading, encorder and the automatic vending machine etc.
- FDD, Robot, and other detecton of industrial systems.

■ ABSOLUTE MAXIMUM RATINGS (Ta=25°C)

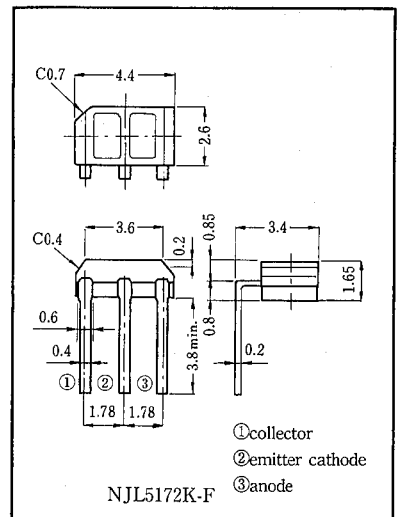
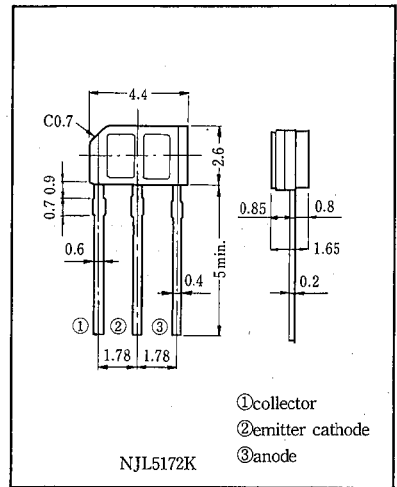
PARAMETER	SYMBOL	RATINGS	UNIT
Emitter			
Forward Current (Continuous)	IF	50	mA
Pulse Forward Current	IFP	500(note 1)	mA
Reverse Voltage (Continuous)	VR	6	V
Power Dissipation	PD	75	mW
Detector			
Collector-Emitter Voltage	VCEO	25	V
Emitter-Collector Voltage	VECO	6	V
Collector Current	IC	20	mA
Collector Power Dissipation	PC	75	mW
Coupled			
Total Power Dissipation	Ptot	100	mW
Operating Temperature	Topr	-20~+90	°C
Storage Temperature	Tstg	-30~+100	°C
Soldering Temperature	Tsol	260	°C
		(10sec. 1.5mm from body)	

(Note1):Pulse width ≤ 10μs, Duty Ratio 0.01

■ NOTE

- NJL5172K has the same Electro-Optical characteristics as NJL5171K, and so precaution for handling is the same.

■ OUTLINE (typ.) Unit : mm



■ ELECTRO-OPTICAL CHARACTERISTICS (Ta=25°C)

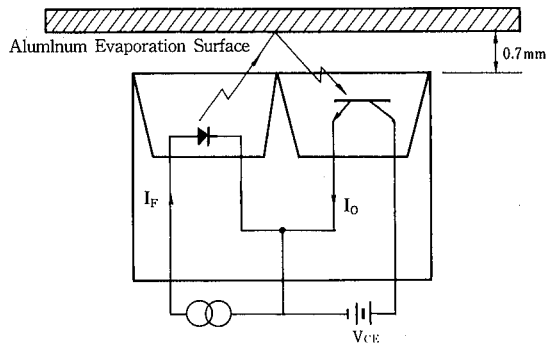
PARAMETER	SYMBOL	TEST CONDITION	MIN.	TYP.	MAX.	UNIT
Emitter						
Forward Voltage	V _F	I _F =4mA	—	—	1.2	V
Reverse Current	I _R	V _R =6V	—	—	1	μA
Capacitance	C _t	V _R =0V, f=1MHz	—	25	—	pF
Detector						
Dark Current	I _{CEO}	V _{CE} =10V	—	—	200	nA
Collector-Emitter Voltage	V _{CEO}	I _C =100μA	25	—	—	V
Emitter-Collector Current	I _{ECO}	V _{EC} =6V	—	—	100	μA
Coupled						
Output Current	I _O	I _F =4mA, V _{CE} =2V, d=0.7mm	50	—	160	μA
Operating Dark Current	I _{CEOD}	I _F =4mA, V _{CE} =2V	—	—	100	μA
Rise time	t _r	V _{CE} =2V, I _F =4mA, R _L =1kΩ, d=0.7mm	—	20	—	μs
Fall Time	t _f	//	—	20	—	μs

■ RANK OF OUTPUT CURRENT

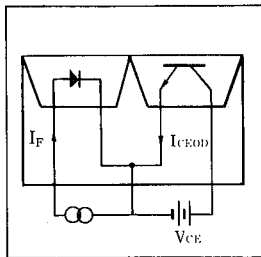
Rank	G	H
I _O (μA)	70~160	50~110

■ MEASURING SPECIFICATION FOR OUTPUT CURRENT

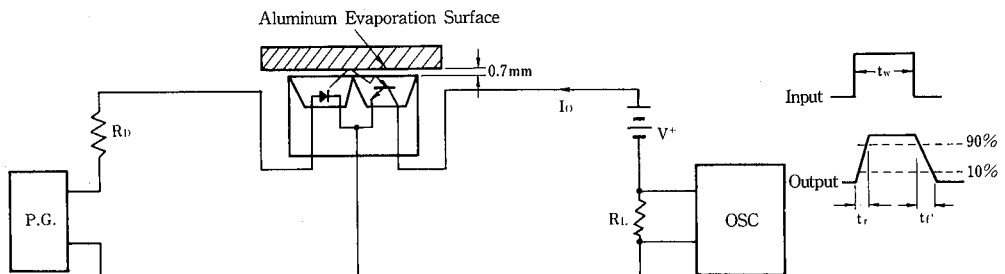
The Output current can be measured when reflected at the Aluminum evaporation mirror.



■ MEASURING CIRCUIT FOR OPERATING DARK CURRENT

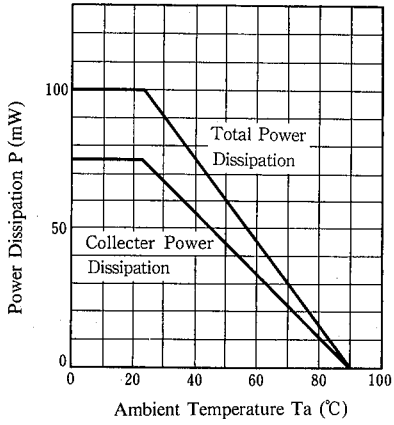


■ MEASURING CIRCUIT FOR RESPONSE TIME

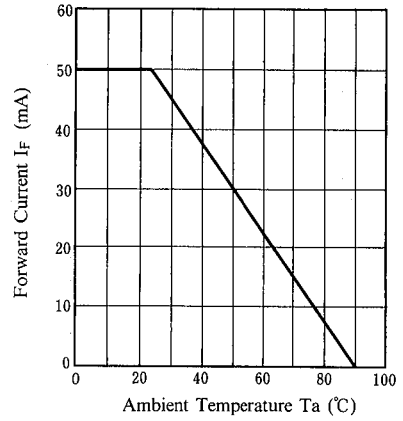


MAXIMUM RATING CURVES

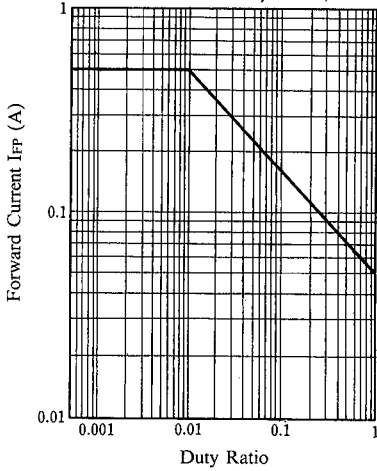
Power Dissipation vs. Temperature



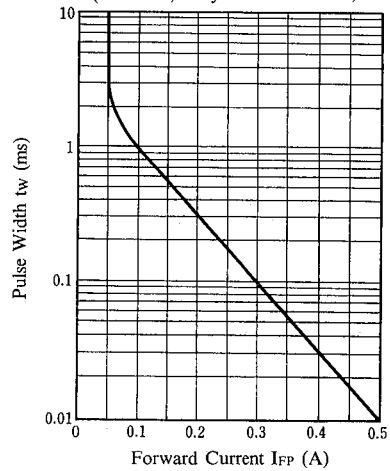
Forward Current vs. Temperature



Pulse Forward Current vs. Duty Ratio
($T_a=25^\circ\text{C}$, $t_w=10\mu\text{s}$ max.)

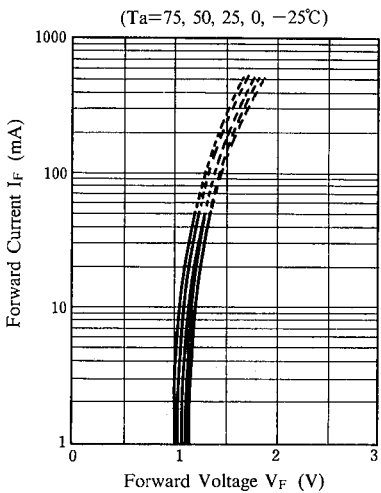


Pulse Width vs. Forward Current
($T_a=25^\circ\text{C}$, Duty Ratio 0.01 max.)

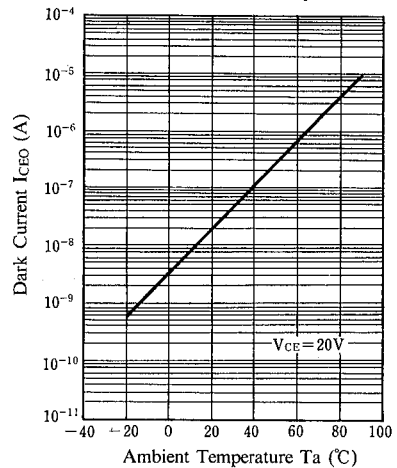


TYPICAL CHARACTERISTICS

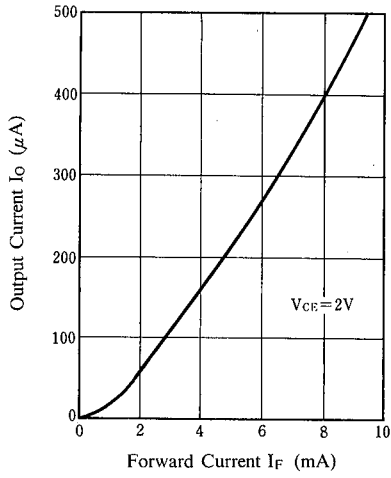
Forward Current vs. Forward Voltage



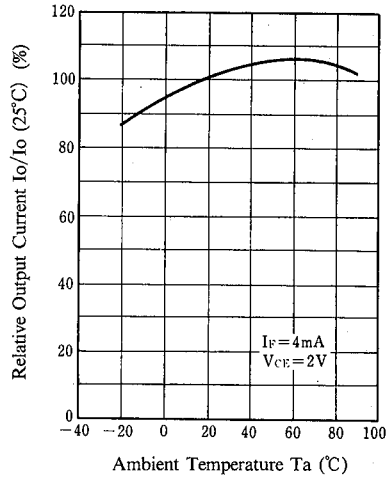
Dark Current vs. Temperature



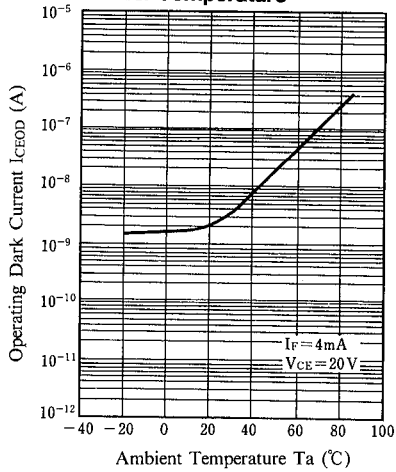
Output Current vs. Forward Current ($T_a=25^\circ\text{C}$)



Output Current vs. Temperature



Operating Dark Current vs. Temperature



2

PRECAUTION FOR HANDLING

1. Soldering

- 1) Avoid the reflow method and the solder to touch the body of the device during wave soldering. This is to prevent changes in optical characteristics of the device.
- 2) Recommended in Soldering

Temperature	Time Lead	Soldering Position
260°C maximum	less than 10 seconds	At least 1.5mm from body
- 3) Soldering is recommended to be done in as short period of the time as possible by controlling the temperature of the soldering iron or by the iron of less than 15 watts.
- 4) The resin gets softened right after soldered, so, the following care has to be taken.
 - Not to contact the lens surface to anything
 - Not to dip the device into water or any solvents
- 5) It is recommended not to solder when the leads or between the lead get pulled, depressed or twisted.
- 6) In the case of using rosin flux, be careful to avoid contact with the lens surface. If the lens is covered with the flux, the specified characteristics cannot be achieved.

2. Post Solder Cleaning

- 1) Organic solvents for flux removal like trichloroethylene, acetone, thinner etc, might attack the lens surface. It is preferable to use less reactive solvents, Methyl Alcohol, Isopropyle Alcohol.
- 2) Cleaning Operation

Cleaning Solvent Temperature :	35°C maximum
Dipping Time	: 3 minute maximum

3. Attention in handling

- 1) Treat not to touch the lens surface.
- 2) Avoid dust and any other foreign materials(flux, paint, bonding material, etc)on the lens surface.
- 3) Never to apply reverse voltage(V_{EC}) of more than 6V on the photo transistor when measuring the characteristics or adjusting the system. If applied, it causes to lower the sensitivity.
- 4) When mounting, special care has to be taken on the mounting position and tilting of the device because it is very important to place the device to the optimum position to the object.

4. Storage

The leads are silver plated and they are discolored if the device is left open to the air for long after taken out of the envelope. It causes deterioration of soldering characteristics. Mount the device as short as possible after opening the envelope.

MEMO

[CAUTION]

The specifications on this databook are only given for information, without any guarantee as regards either mistakes or omissions. The application circuits in this databook are described only to show representative usages of the product and not intended for the guarantee or permission of any right including the industrial rights.