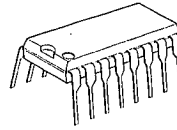


3-INPUT/2-INPUT VIDEO SWITCH

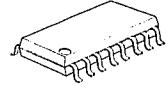
■ GENERAL DESCRIPTION

The NJM2523 is a switching IC for switching over from one audio or video input signal to another. Internalizing 3 input-1 output, and 2 input-1 output and then each set can be operated independently. One of 2 input-1 output are "Clamp type", and they can be operated while setting DC level fixed in position of the video signal. It is a higher efficiency video switch, featuring the operating voltage 4.75V to 13V, the frequency feature 10MHz, and then the Crosstalk 75dB (at 4.43MHz).

■ PACKAGE OUTLINE



NJM2523D



NJM2523M

■ FEATURES

- Operating Voltage (+4.75V ~ +13V)
- Input-1 Output Internalizing 3 circuits (Two of them are Clamp type).
- Crosstalk 75dB(at 4.43MHz)
- Wide Bandwidth Frequency 10MHz(2V_{p-p} Input)
- Package Outline DIP16, DMP16.

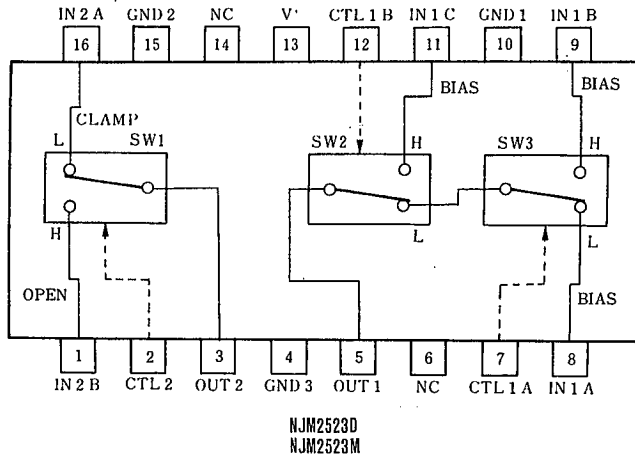
■ RECOMMENDED OPERATING CONDITION

- Operating Voltage V⁺ 4.75~13.0V

■ APPLICATIONS

- VCR, Video Camera, AV-TV, Video Disk Player.

■ BLOCK DIAGRAM



5

■ MAXIMUM RATINGS

(Ta=25°C)

PARAMETER	SYMBOL	RATINGS	UNIT
Supply Voltage	V*	14	V
Power Dissipation	Pd	(DIP16) 700	mW
		(DMP16) 350	mW
Operating Temperature Range	T _{opr}	-40~+85	°C
Storage Temperature Range	T _{stg}	-40~+125	°C

■ ELECTRICAL CHARACTERISTICS:

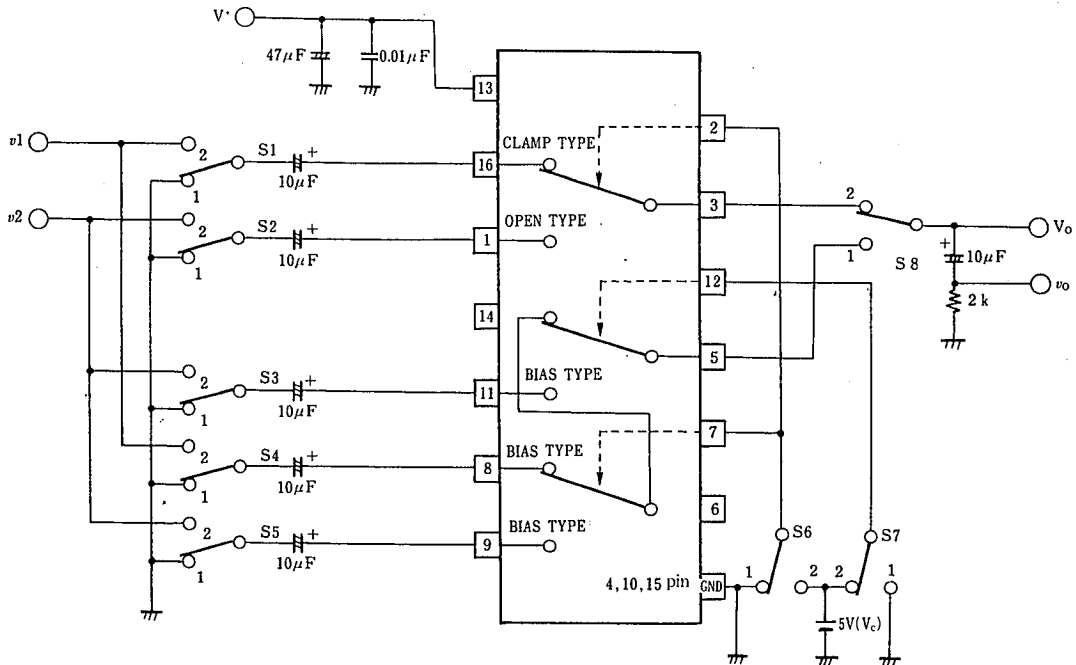
(V*=5V, Ta=25°C)

PARAMETER	SYMBOL	TEST CONDITION	MIN.	TYP.	MAX.	UNIT
Operating Current (1)	I _{cc1}	V*=5V (Note1)	6.7	9.7	12.7	mA
Operating Current (2)	I _{cc2}	V*=9V (Note1)	8.6	12.3	16.0	mA
Voltage Gain	G _v	V _i = 100kHz, 2V _{p-p} , V _o / V _i	-0.6	-0.1	+0.4	dB
Frequency Gain	G _{F1}	V _i = 2V _{p-p} , V _o (10MHz) / V _o (100kHz)	-1.0	0	+1.0	dB
Differential Gain	DG	V _i = 2V _{p-p} , Standard Staircase Signal	—	0.3	—	%
Differential Phase	DP	V _i = 2V _{p-p} , Standard Staircase Signal	—	0.3	—	deg
OutPut offset Voltage	V _{os1}	(Note2)	-25	0	+25	mV
Crosstalk	CT	V _i = 2V _{p-p} , 4.43MHz, V _o / V _i	—	-75	—	dB
Switch Change Over Voltage	V _{CH}	All inside Switches ON	2.5	—	—	V
Switch Change Over Voltage	V _{CL}	All inside Switches OFF	—	—	1.0	V

(Note1) S1=S2=S3=S4=S5=S6=S7=1

(Note2) S1=S2=S3=S4=S5=1, S8=1, S7=1, S6=1→2 (S6=1, S7=1→2) Measure the output DC voltage difference

■ TEST CIRCUIT



This IC requires 1MΩ resistance between INPUT and GND pin for clamp type input since the minute current causes an unstable pin voltage.

■ TERMINAL EXPLANATION

PIN NO.	PIN NAME	VOL	INSIDE EQUIVALENT CIRCUIT
8 9 11	IN 1 A IN 1 B IN 1 C (Input)	2.5V $\left(\frac{1}{2}V^+\right)$	
16	IN 2 A (Input)	1.5V $\left(\frac{3}{10}V^+\right)$	
1	IN 2 B (Input)		
7 12 2	CTL 1 A CTL 1 B CTL 2 (Switching)		
5	OUT 1 (Output)	1.8V $\left(\frac{1}{2}V^+ - 0.7\right)$	
3	OUT 2 (Output)	0.8V $\left(\frac{3}{10}V^+ - 0.7\right)$	
13	V+	5V	
15 4 10	GND 1 GND 2 GND 3		

5

MEMO

[CAUTION]

The specifications on this databook are only given for information, without any guarantee as regards either mistakes or omissions. The application circuits in this databook are described only to show representative usages of the product and not intended for the guarantee or permission of any right including the industrial rights.