

Dual Operational Amplifier

FEATURES ($V^+V^- = \pm 2.5V$, typical value)

•Low Noise	6.5nV/ \sqrt{Hz}
•High Slew Rate	4V/ μs
•Wide Bandwidth	12MHz
•Low Distortion	0.002%
•Supply Voltage	
Dual Supply	$\pm 1.1V$ to $\pm 3.5V$
Single Supply	2.2V to 7V
•Low Saturation ($R_L = 2.5k\Omega$)	$\pm 2.2V$ typ.
•Operating Temperature	-40°C to 125°C
•Bipolar Technology	
•Package Outline	DMP8, SSOP8, MSOP8 (TVSP8)*

*meet JEDEC MO-187-DA / thin type

DESCRIPTION

The NJM2740 is a dual low saturation output operational amplifier featuring low noise of 6.5nV/ \sqrt{Hz} .

It can be used both single supply and dual supply, by using proper bias voltage.

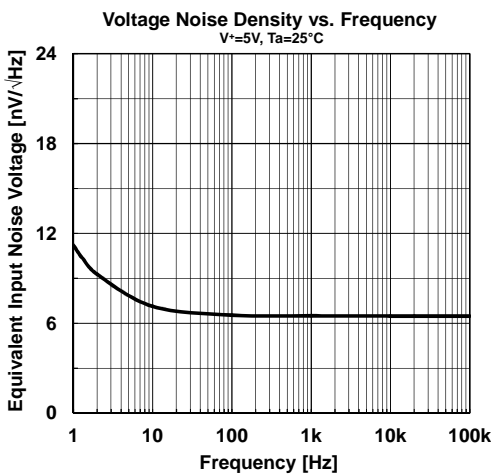
Low operating voltage single 2.2V to 7V or dual $\pm 1.1V$ to $\pm 3.5V$ and low saturation output performance makes NJM2740 suitable for Battery-powered instruments, portable audio devices that require a low voltage and low saturation output.

The NJM2740 is available in 8-pin DMP, SSOP and MSOP(TVSP): meet JEDEC MO-187-DA / thin type package.

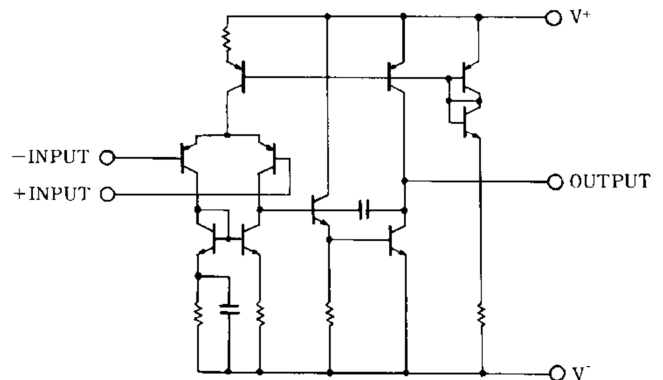
APPLICATIONS

- Portable Audio
- PC Audio
- AD/DA Converter Buffer
- Active Filter

TYPICAL CHARACTERISTICS



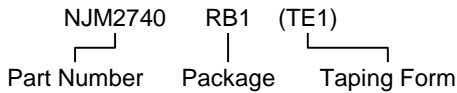
EQUIVALENT CIRCUIT



■ PIN CONFIGURATION

Pin Function	<p>(Top View)</p> <p>A OUTPUT (1), A -INPUT (2), A +INPUT (3), V- (4), V+ (8), B OUTPUT (7), B -INPUT (6), B +INPUT (5)</p>			
	Package	DMP8	SSOP8	MSOP8(TVSP8)
Product Name	NJM2740M	NJM2740V	NJM2740RB1	

■ PRODUCT NAME INFORMATION



■ ORDER INFORMATION

Part Number	Package Outline	RoHS	Halogen-Free	Terminal Finish	Marking	Weight (mg)	MOQ (pcs)
NJM2740M	DMP8	○	○	Sn2Bi	2740	95	2000
NJM2740V	SSOP8	○	○	Sn2Bi	2740	42	2000
NJM2740RB1	MSOP8(TVSP8)	○	○	Sn2Bi	2740	18	2000

■ ABSOLUTE MAXIMUM RATINGS (Ta=25°C)

PARAMETER	SYMBOL	RATING	UNIT
Supply Voltage	V ⁺ /V ⁻	±4	V
Input Voltage ⁽¹⁾	V _{IN}	±4	V
Differential Input Voltage ⁽¹⁾⁽²⁾	V _{ID}	±8	V
Input Current ⁽³⁾	I _{IN}	1	mA
Power Dissipation ⁽⁴⁾		(2-Layer / 4-Layer)	
DMP8	P _D	470 / 600	mW
SSOP8		410 / 510	
MSOP8(TVSP8)		510 / 680	
Storage Temperature Range	T _{stg}	-40 to +150	°C

(1) For supply voltage less than ±4V (8V), the absolute maximum rating is equal to the supply voltage.

(2) Differential voltage is the voltage difference between +INPUT and -INPUT.

(3) Input voltages outside the supply voltage will be clamped by ESD protection diodes. If the input voltage exceeds the supply voltage, the input current must be limited 1mA or less by using a restriction resistance.

(4) Power dissipation is the power that can be consumed by the IC at Ta=25°C, and is the typical measured value based on JEDEC condition.

2-layer: Mounted on glass epoxy board. (76.2x114.3x1.6mm: based on EIA/JDEC standard, 2Layers FR4)

4-layer: Mounted on glass epoxy board. (76.2x114.3x1.6mm: based on EIA/JDEC standard, 4Layers FR4), internal Cu area: 74.2 x 74.2mm

■ THERMAL CHARACTERISTICS

Package	SYMBOL	VALUE	UNIT
Junction-to-ambient thermal resistance	Θ_{ja}	(2-layer / 4-Layer)	°C/W
DMP8		262 / 206	
SSOP8		288 / 230	
TVSP8		244 / 185	
Junction-to-top of package characterization parameter	Ψ_{jt}	(2-layer / 4-Layer)	°C/W
DMP8		72 / 65	
SSOP8		46 / 45	
TVSP8		51 / 45	

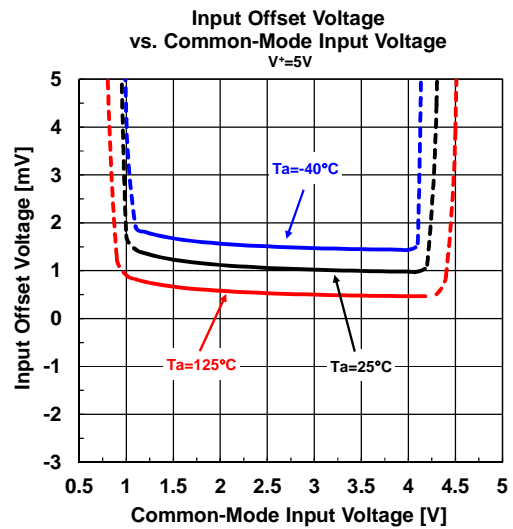
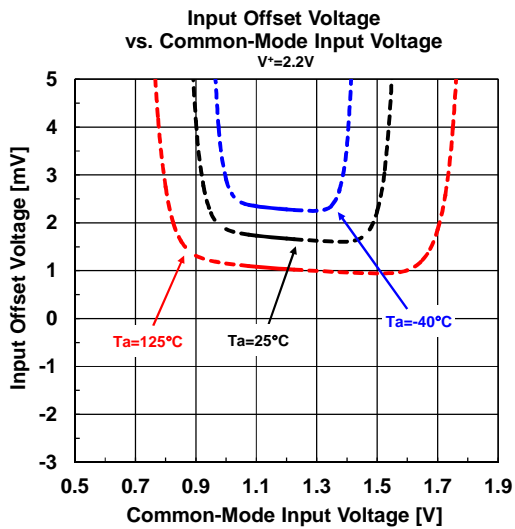
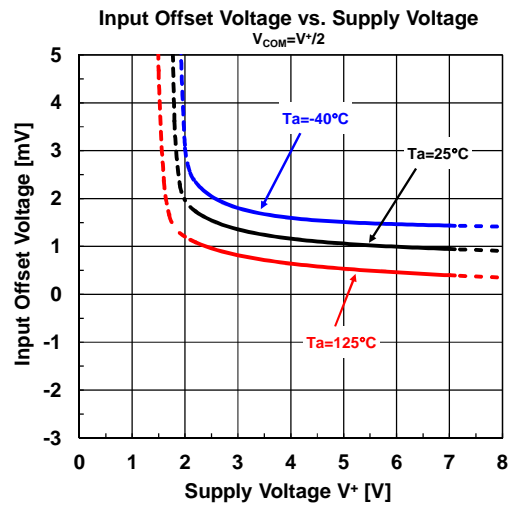
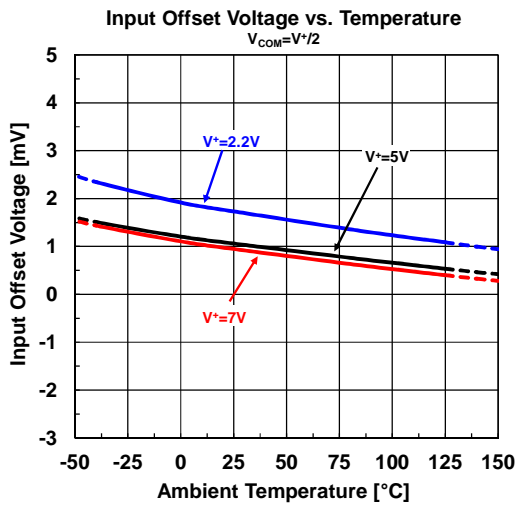
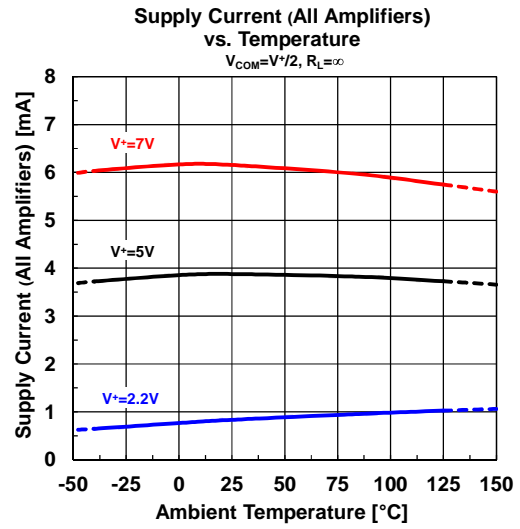
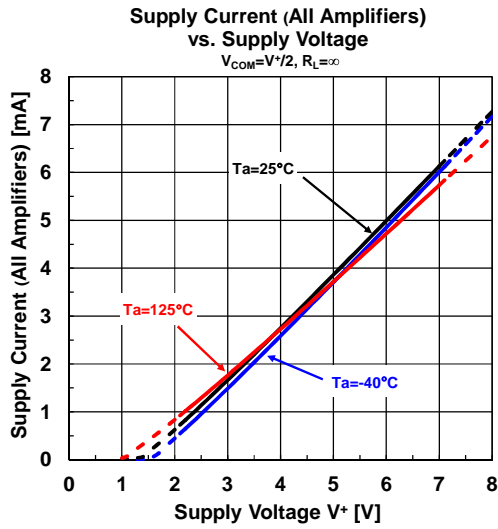
■ RECOMMENDED OPERATING CONDITIONS (Ta=25°C)

PARAMETER	SYMBOL	VALUE	UNIT
Supply Voltage	V^+ / V^-	±1.1 to ±3.5	V
Dual Supply		2.2 to 7	V
Operating Temperature Range	T_{opr}	-40 to 125	°C

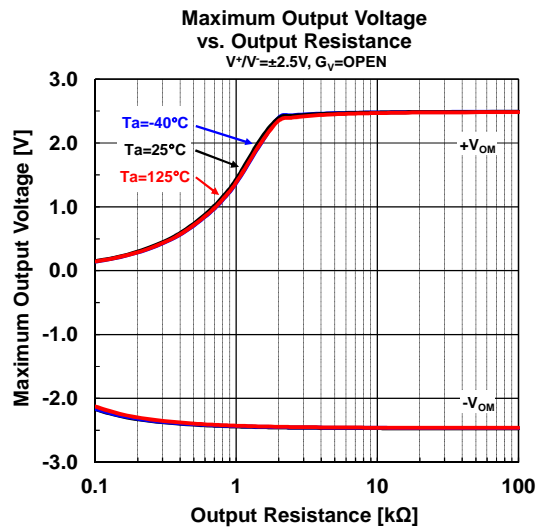
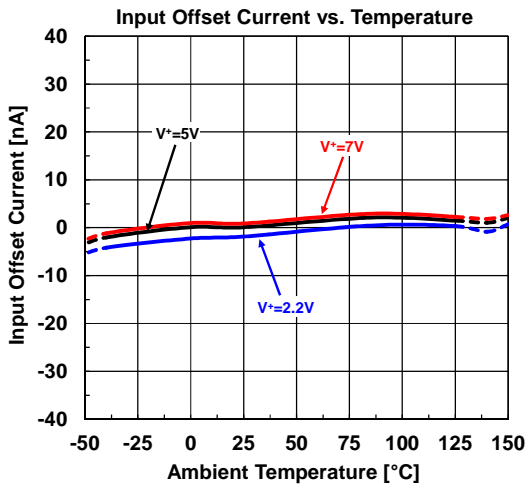
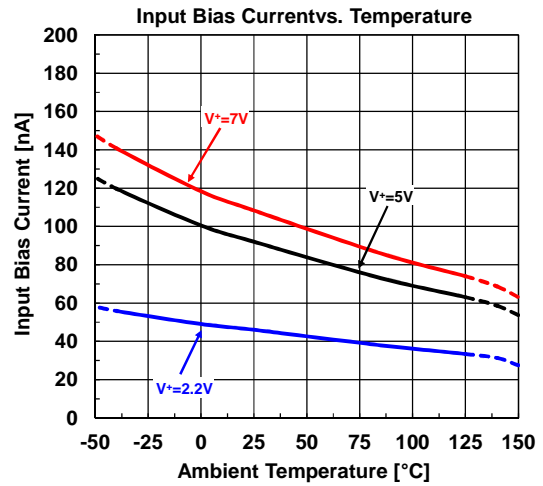
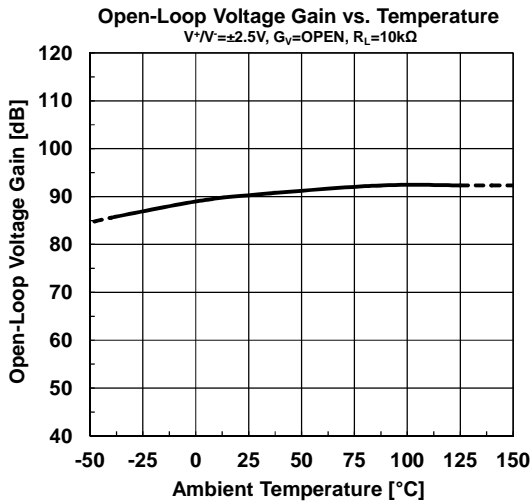
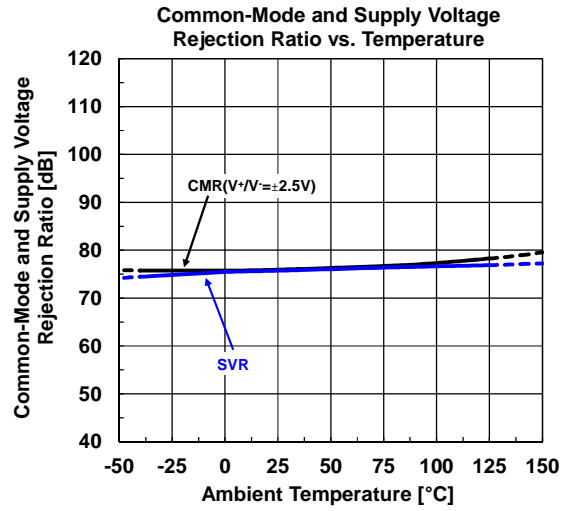
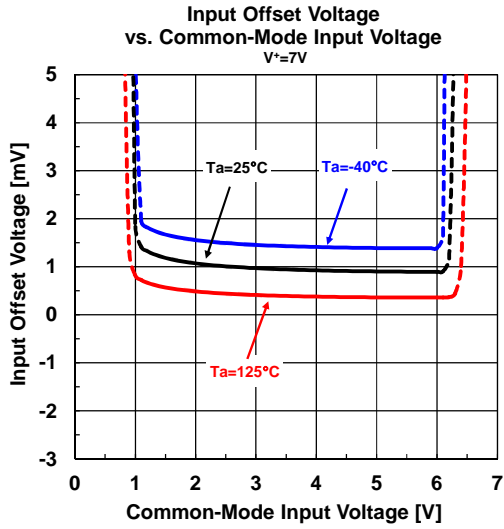
■ ELECTRICAL CHARACTERISTICS (V⁺/V⁻=±2.5V, Ta=25°C)

PARAMETER	SYMBOL	TEST CONDITION	MIN.	TYP.	MAX.	UNIT
DC CHARACTERISTICS						
Input Offset Voltage	V_{IO}	$R_S \leq 10k\Omega$	-	1	6	mV
Input Bias Current	I_B		-	100	300	nA
Input Offset Current	I_{IO}		-	5	100	nA
Open-Loop Voltage Gain	A_V	$R_L \geq 10k\Omega$	60	80	-	dB
Common-Mode Rejection Ratio	CMR		60	74	-	dB
Common-Mode Input Voltage Range	V_{ICM}		-1.4 /+1.5	-	-	V
Maximum Output Voltage	V_{OM}	$R_L \geq 2.5k\Omega$	±2	±2.2	-	V
Supply Current (All Amplifiers)	I_{SUPPLY}	No Signal, $R_L = \infty$	-	3.5	5	mA
Supply Voltage Rejection Ratio	SVR	$V^+ / V^- = \pm 1.1V$ to $\pm 3.5V$	60	80	-	dB
AC CHARACTERISTICS						
Slew Rate	SR	$A_V = 1, V_{IN} = \pm 1V$	-	4	-	V/ μ s
Gain Bandwidth Product	GBW	$f = 10kHz$	-	12	-	MHz
Total Harmonic Distortion + Noise	THD+N	$f = 1kHz, V_O = 1V_{rms}$	-	0.002	-	%
Equivalent Input Noise Voltage	e_n	$f = 1kHz$	-	6.5	-	nV/ \sqrt{Hz}

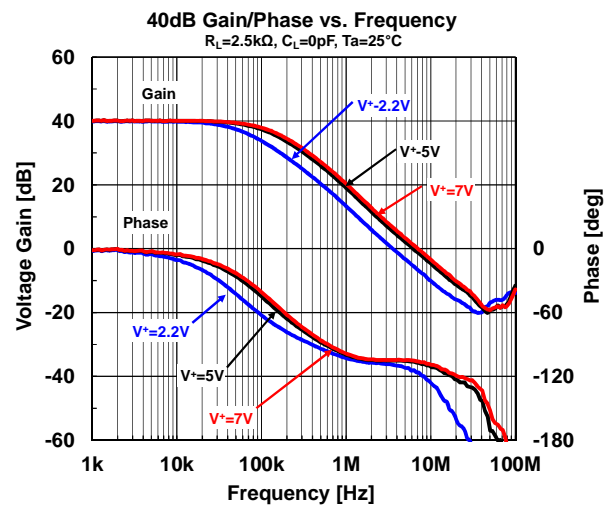
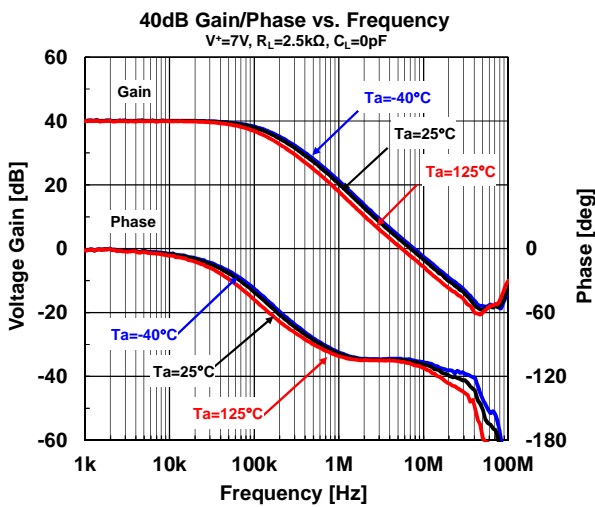
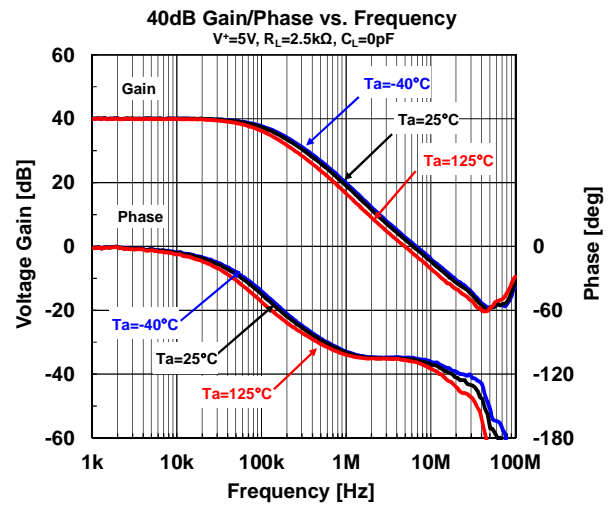
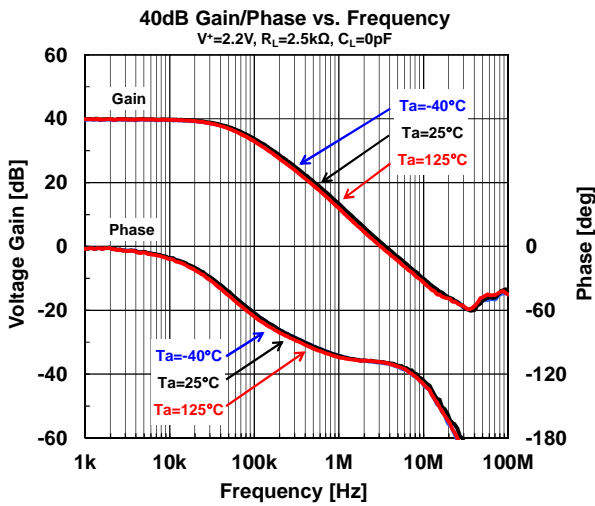
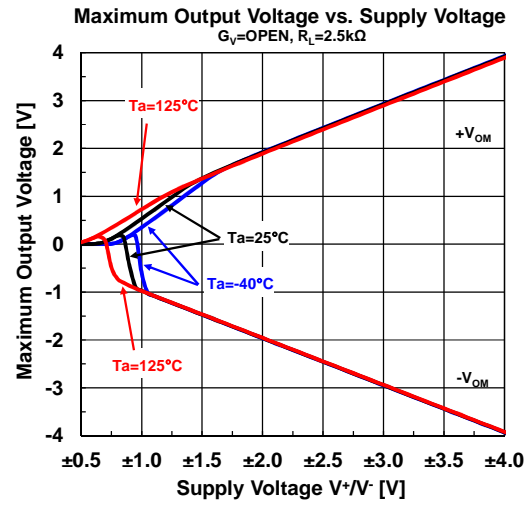
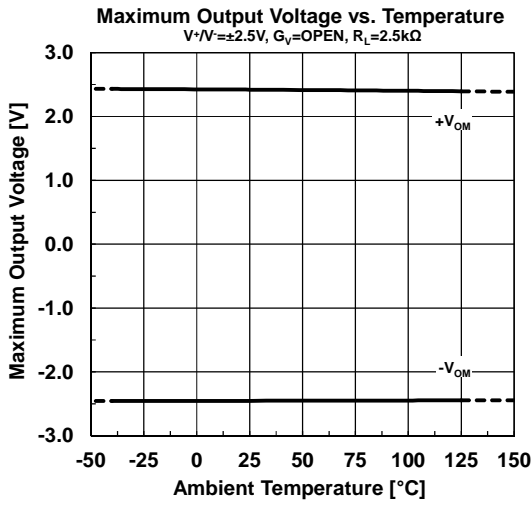
■ TYPICAL CHARACTERISTICS



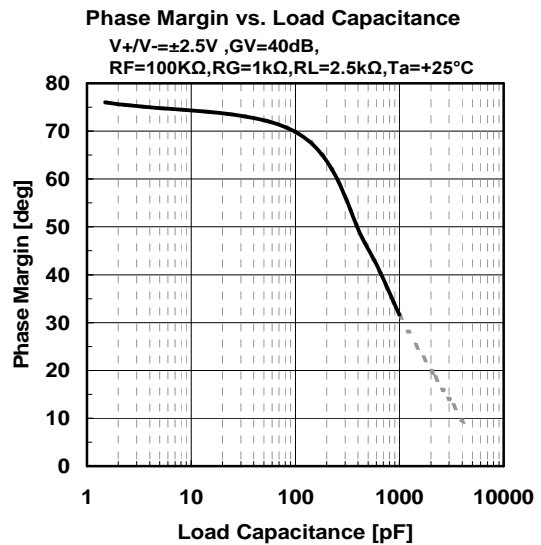
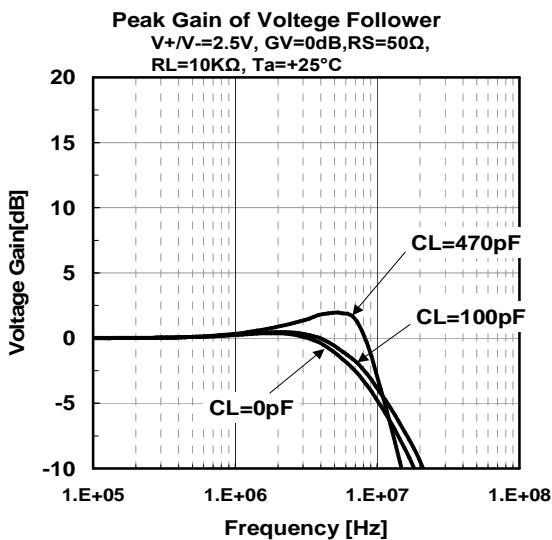
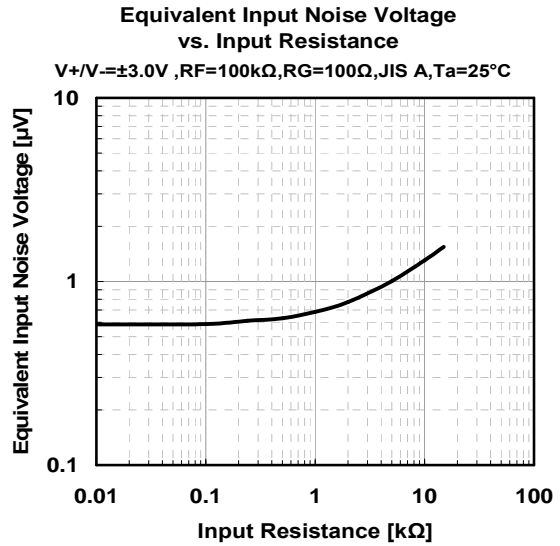
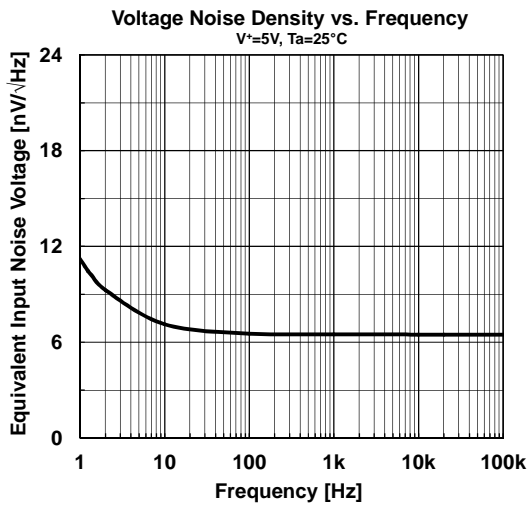
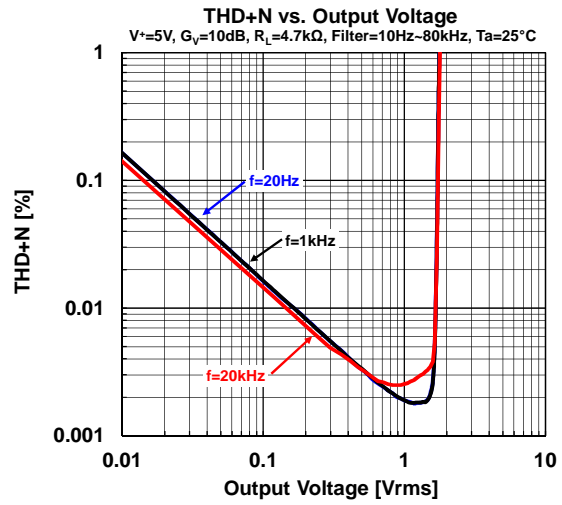
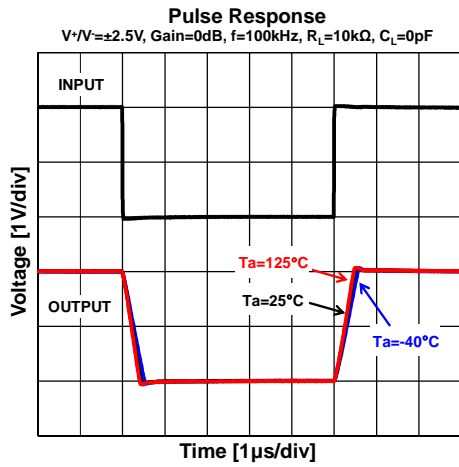
■ TYPICAL CHARACTERISTICS



■ TYPICAL CHARACTERISTICS

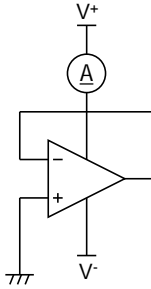


■ TYPICAL CHARACTERISTICS



■ TEST CIRCUIT

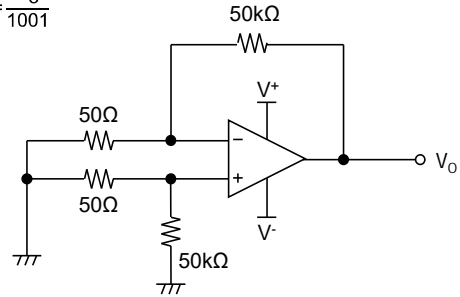
- Supply current



- Input offset voltage

$$V_{IO} = \frac{50}{(50+50k)} \times V_o$$

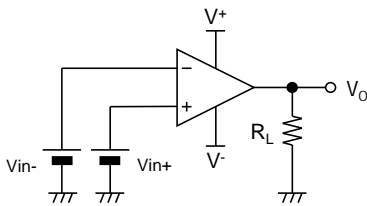
$$V_{IO} = \frac{V_o}{1001}$$



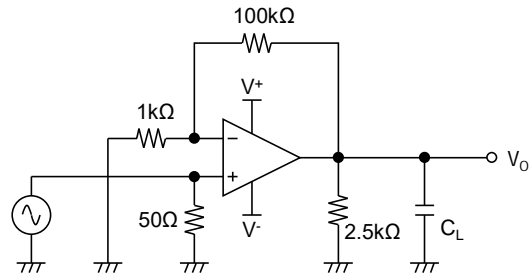
- Maximum output voltage

+Vom; Vin+ = 1V, Vin- = -1V

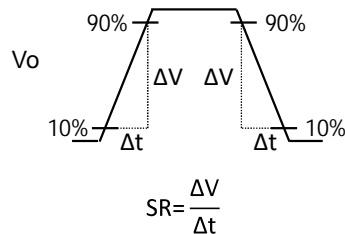
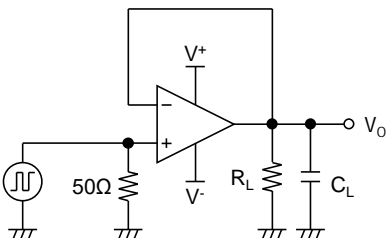
-Vom; Vin+ = -1V, Vin- = 1V



- GBW



- Slew rate



APPLICATION NOTE

Single and Dual Supply Voltage Operation

The NJM2740 works with both single supply and dual supply when the voltage supplied is between V^+ and V^- . These amplifiers operate from single 2.2 to 7V supply and dual $\pm 1.1V$ to $\pm 3.5V$ supply.

Common-Mode Input Voltage Range

When the supply voltage does not meet the condition of electrical characteristics, the range of common-mode input voltage is as follows:

$$V_{ICM} (typ.) = V^- + 1.1V \text{ to } V^+ - 1.1V \quad (T_a = 25^\circ C)$$

Difference of V_{ICM} when Temperature change, refer to typical characteristic graph.

During designing, consider variations in characteristics for use with allowance.

Maximum Output Voltage Range

When the supply voltage does not meet the condition of electrical characteristics, the range of the typ. value of the maximum output voltage is as follows:

$$V_{OM} (typ.) = V^- + 0.3V \text{ to } V^+ - 0.3V \quad (R_L = 2.5k\Omega \text{ to } V^+/2, T_a = 25^\circ C)$$

During designing, consider variations in characteristics and temperature characteristics for use with allowance. In addition, also note that the output voltage range becomes narrow as shown in typical characteristics graph when an output current increases.

Input Voltage Exceeding the Supply Voltage

Inputs of the NJM2740 are protected by ESD diodes (shown in Figure1) that will conduct if the input voltages exceed the power supplies by more than approximately 300mV. Momentary voltages greater than 300mV beyond the power supply, inputs can be tolerated if the current is limited to 1mA.

Figure2 is easily accomplished with an input resistor. If the input voltage exceeds the supply voltage, the input current must be limited 1mA or less by using a restriction resistance (R_{LIMIT}) as shown in figure2.

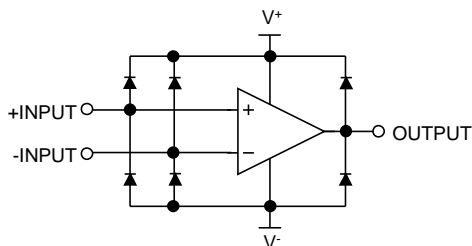


Figure1. Simplified Schematic

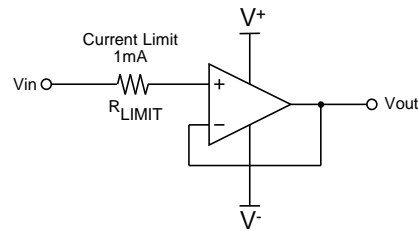


Figure2. Input Current Protection for Voltages exceeding the Supply Voltage.

Capacitive load

The NJM2740 can use at unity gain follower, but the unity gain follower is the most sensitive configuration to capacitive loading. The combination of capacitive load placed directly on the output of an amplifier along with the output impedance of the amplifier creates a phase lag which in turn reduces the phase margin of the amplifier. If phase margin is significantly reduced, the response will cause overshoot and ringing in the step response. It is 30 degree phase margin at 1000pF capacitive load.

To drive heavy capacitive loads, an isolation resistor, R_{ISO} as shown Figure3, should be used. R_{ISO} improves the feedback loop's phase margin by making the output load resistive at higher frequencies. The larger the value of R_{ISO} , the more stable the output voltage will be. However, larger values of R_{ISO} result in reduced output swing, reduced output current drive and reduced frequency bandwidth.

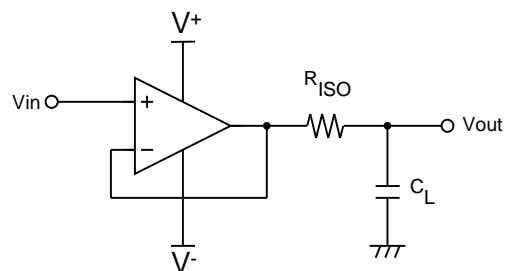
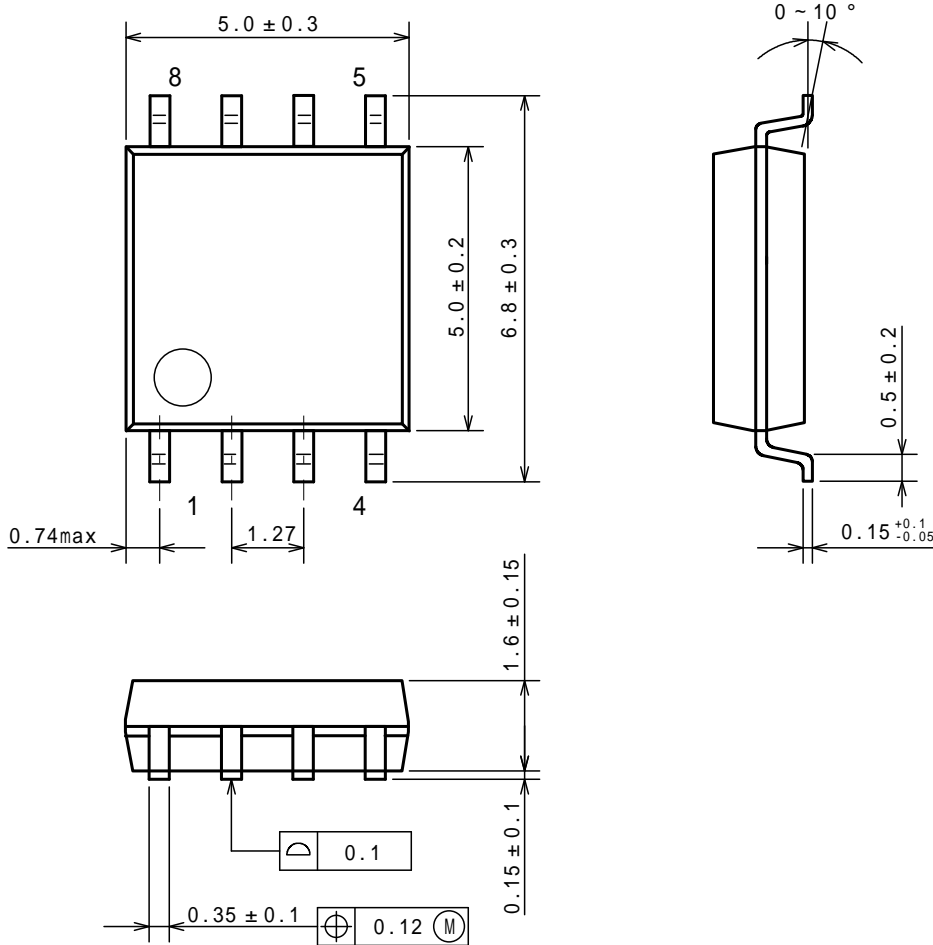


Figure3. Isolating capacitive load

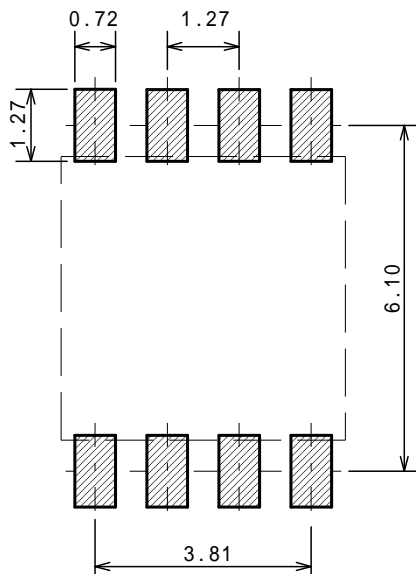
DMP8

Unit: mm

■PACKAGE DIMENSIONS



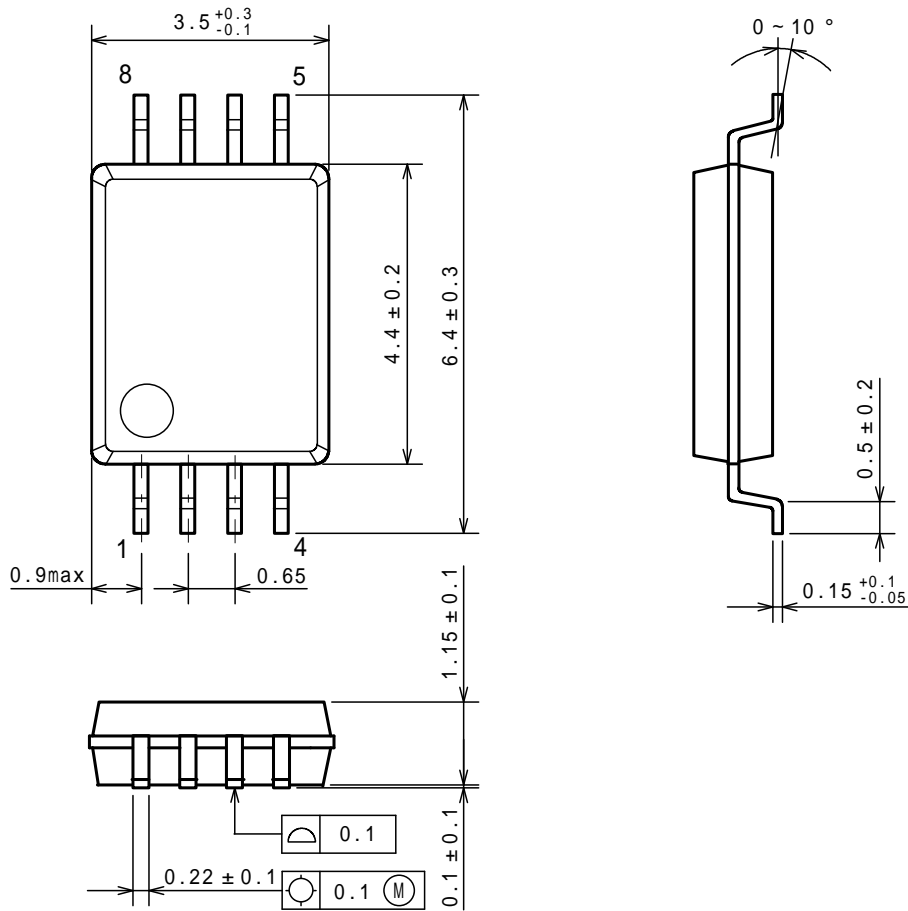
■EXAMPLE OF SOLDER PADS DIMENSIONS



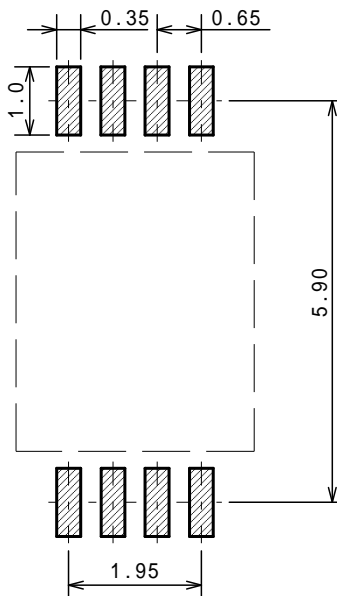
SSOP8

Unit: mm

■PACKAGE DIMENSIONS



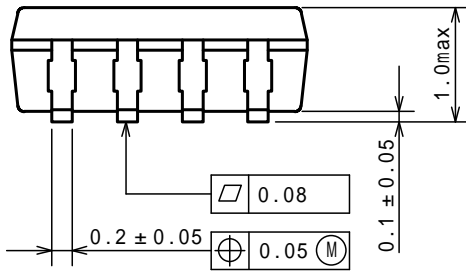
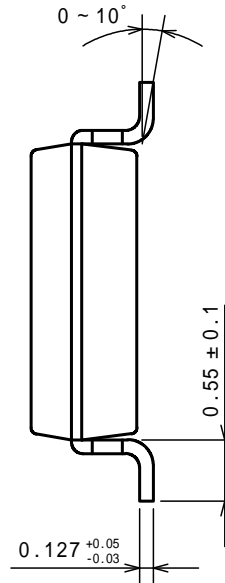
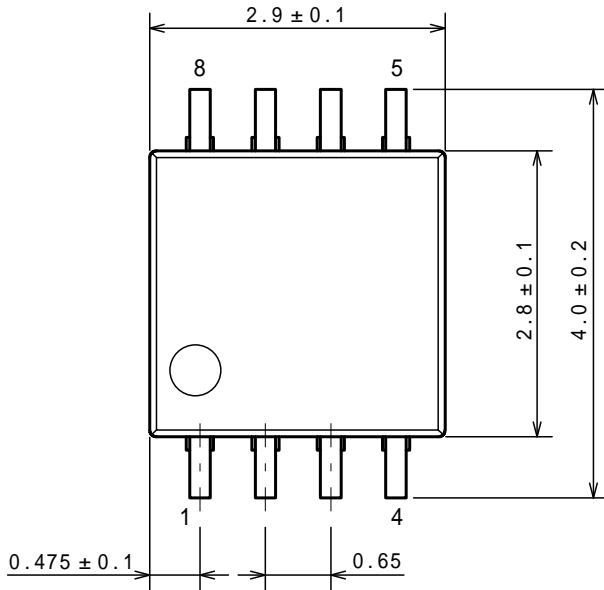
■EXAMPLE OF SOLDER PADS DIMENSIONS



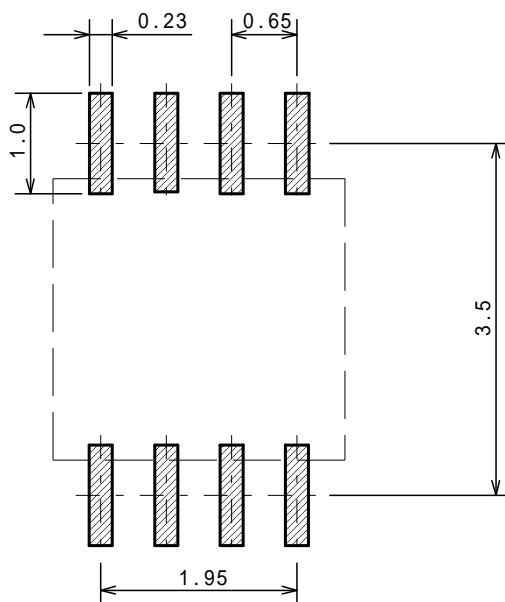
MSOP8 JEDEC MO-187-DA/THIN TYPE

Unit: mm

■PACKAGE DIMENSIONS



■EXAMPLE OF SOLDER PADS DIMENSIONS

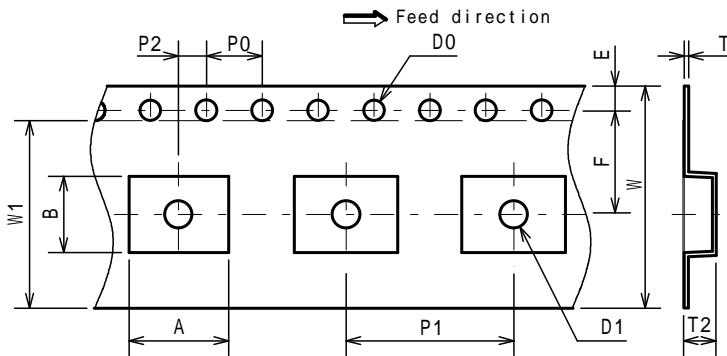


DMP8

PACKING SPEC

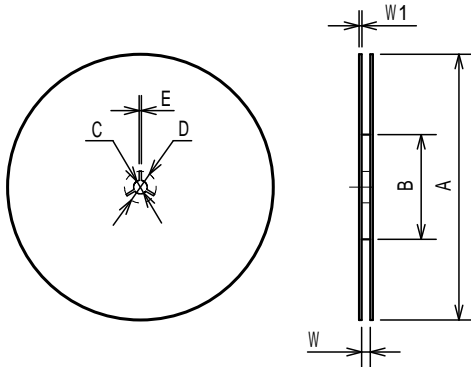
Unit: mm

TAPING DIMENSIONS



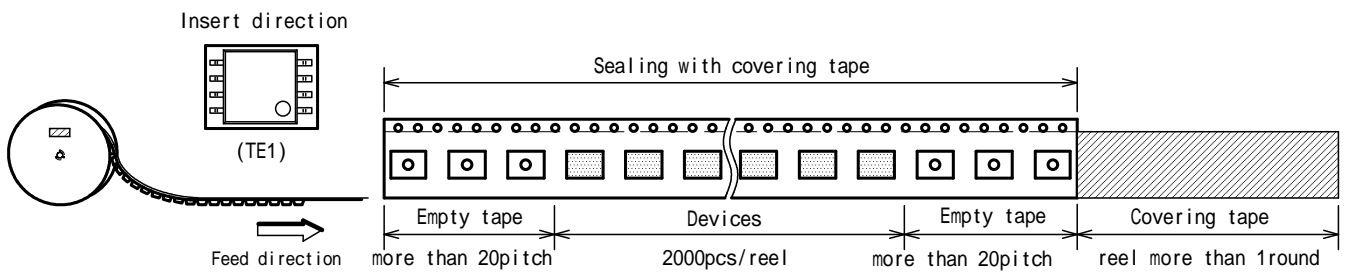
SYMBOL	DIMENSION	REMARKS
A	7.1	BOTTOM DIMENSION
B	5.4	BOTTOM DIMENSION
D0	1.55 ± 0.05	
D1	2.05 ± 0.1	
E	1.75 ± 0.1	
F	7.5 ± 0.1	
P0	4.0 ± 0.1	
P1	12.0 ± 0.1	
P2	2.0 ± 0.1	
T	0.3 ± 0.05	
T2	2.3	
W	16.0 ± 0.3	
W1	13.5	THICKNESS 0.1max

REEL DIMENSIONS

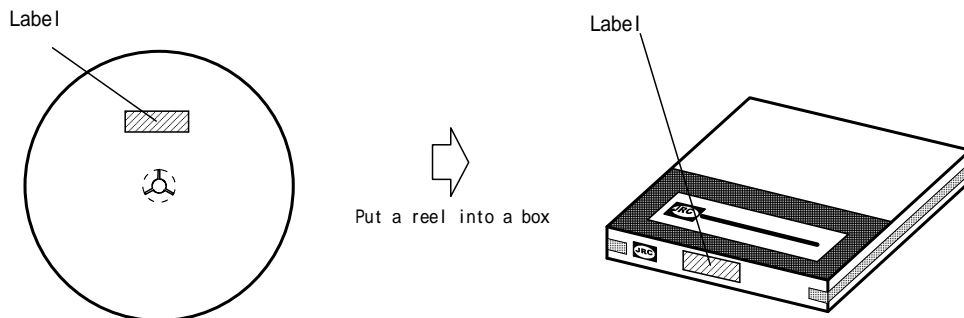


SYMBOL	DIMENSION
A	330 ± 2
B	80 ± 1
C	13 ± 0.2
D	21 ± 0.8
E	2 ± 0.5
W	17.5 ± 0.5
W1	2 ± 0.2

TAPING STATE



PACKING STATE

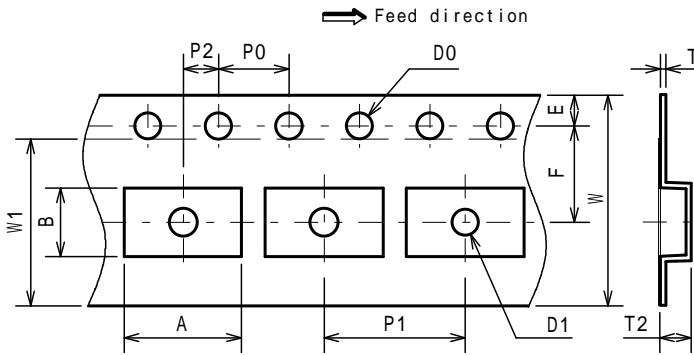


SSOP8

PACKING SPEC

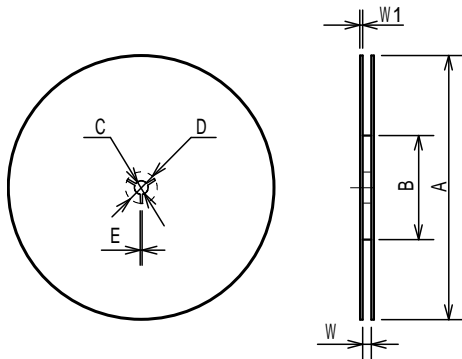
Unit: mm

TAPING DIMENSIONS



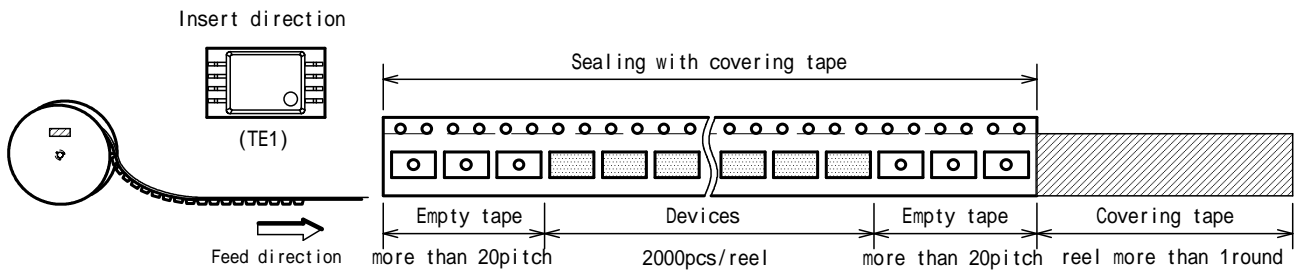
SYMBOL	DIMENSION	REMARKS
A	6.7	BOTTOM DIMENSION
B	3.9	BOTTOM DIMENSION
D0	1.55 ± 0.05	
D1	1.55 ± 0.1	
E	1.75 ± 0.1	
F	5.5 ± 0.05	
P0	4.0 ± 0.1	
P1	8.0 ± 0.1	
P2	2.0 ± 0.05	
T	0.3 ± 0.05	
T2	2.2	
W	12.0 ± 0.3	
W1	9.5	THICKNESS 0.1max

REEL DIMENSIONS

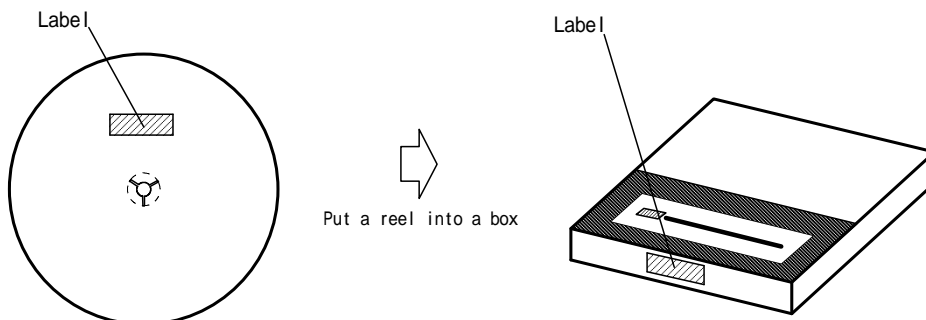


SYMBOL	DIMENSION
A	254 ± 2
B	100 ± 1
C	13 ± 0.2
D	21 ± 0.8
E	2 ± 0.5
W	13.5 ± 0.5
W1	2 ± 0.2

TAPING STATE



PACKING STATE

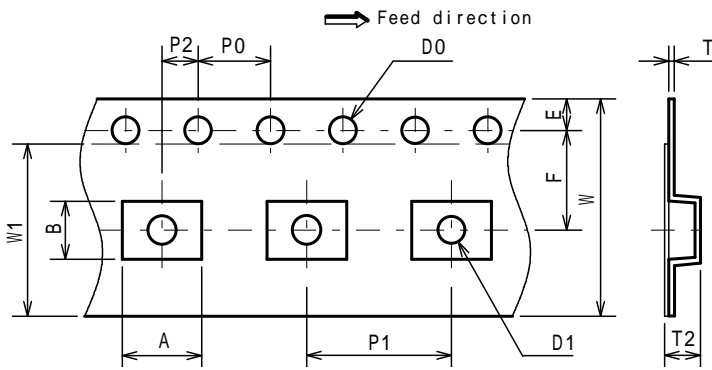


MSOP8 MEET JEDEC MO-187-DA/THIN TYPE

PACKING SPEC

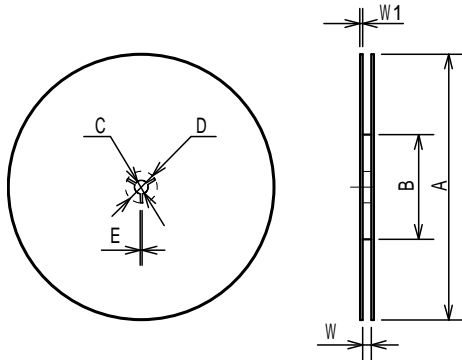
Unit: mm

TAPING DIMENSIONS



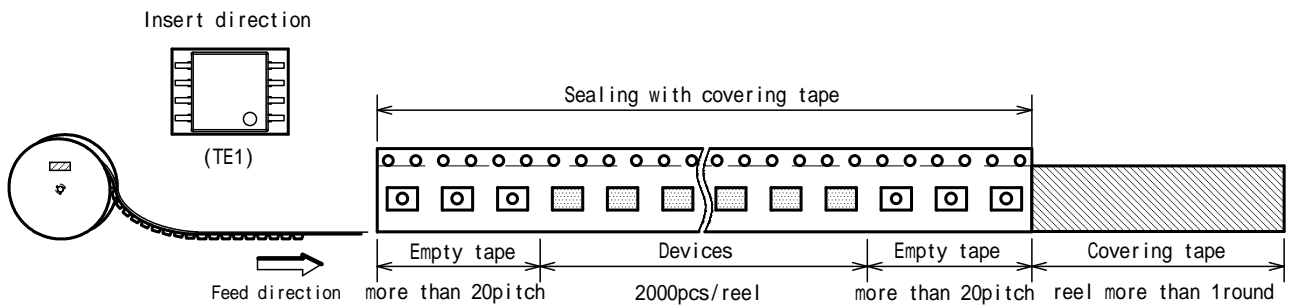
SYMBOL	DIMENSION	REMARKS
A	4.4	BOTTOM DIMENSION
B	3.2	BOTTOM DIMENSION
D0	1.5 ^{+0.1} ₀	
D1	1.5 ^{+0.1} ₀	
E	1.75 ± 0.1	
F	5.5 ± 0.05	
P0	4.0 ± 0.1	
P1	8.0 ± 0.1	
P2	2.0 ± 0.05	
T	0.30 ± 0.05	
T2	1.75 (MAX.)	
W	12.0 ± 0.3	
W1	9.5	THICKNESS 0.1max

REEL DIMENSIONS

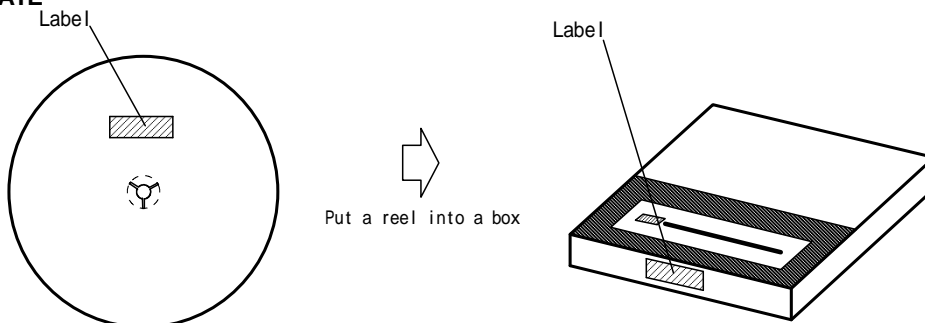


SYMBOL	DIMENSION
A	254 ± 2
B	100 ± 1
C	13 ± 0.2
D	21 ± 0.8
E	2 ± 0.5
W	13.5 ± 0.5
W1	2.0 ± 0.2

TAPING STATE

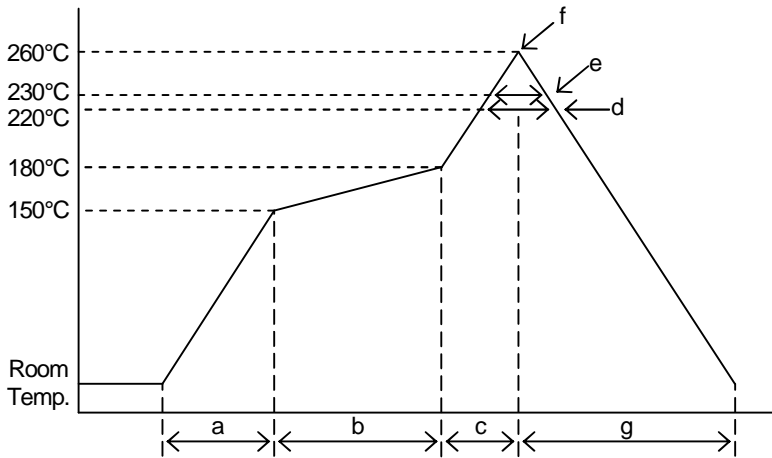


PACKING STATE



■ RECOMMENDED MOUNTING METHOD

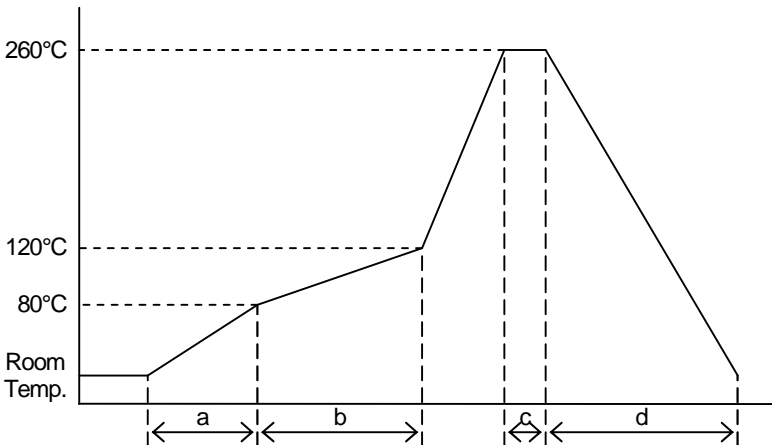
INFRARED REFLOW SOLDERING PROFILE



a	Temperature ramping rate	1 to 4°C/s
b	Pre-heating temperature	150 to 180°C
	Pre-heating time	60 to 120s
c	Temperature ramp rate	1 to 4°C/s
d	220°C or higher time	shorter than 60s
e	230°C or higher time	shorter than 40s
f	Peak temperature	lower than 260°C
g	Temperature ramping rate	1 to 6°C/s

The temperature indicates at the surface of mold package.

FLOW SOLDERING PROFILE



a	Temperature ramping rate	1 to 7°C/s
b	Pre-heating temperature	80 to 120°C
	Pre-heating time	60 to 120s
c	Peak temperature	lower than 260°C
	Peak time	shorter than 10s
d	Temperature ramping rate	1 to 7°C/s

The temperature indicates at the surface of mold package.

IRON SOLDERING PROFILE

Temperature of Iron: not exceeding 350°C
Soldering time: within 3s (At 1 lead)

[CAUTION]

1. New JRC strives to produce reliable and high quality semiconductors. New JRC's semiconductors are intended for specific applications and require proper maintenance and handling. To enhance the performance and service of New JRC's semiconductors, the devices, machinery or equipment into which they are integrated should undergo preventative maintenance and inspection at regularly scheduled intervals. Failure to properly maintain equipment and machinery incorporating these products can result in catastrophic system failures
2. The specifications on this datasheet are only given for information without any guarantee as regards either mistakes or omissions. The application circuits in this datasheet are described only to show representative usages of the product and not intended for the guarantee or permission of any right including the industrial rights.
All other trademarks mentioned herein are property of their respective companies.
3. To ensure the highest levels of reliability, New JRC products must always be properly handled.
The introduction of external contaminants (e.g. dust, oil or cosmetics) can result in failures of semiconductor products.
4. New JRC offers a variety of semiconductor products intended for particular applications. It is important that you select the proper component for your intended application. You may contact New JRC's Sale's Office if you are uncertain about the products listed in this catalog.
5. Special care is required in designing devices, machinery or equipment which demand high levels of reliability. This is particularly important when designing critical components or systems whose failure can foreseeably result in situations that could adversely affect health or safety. In designing such critical devices, equipment or machinery, careful consideration should be given to amongst other things, their safety design, fail-safe design, back-up and redundancy systems, and diffusion design.
6. The products listed in the catalog may not be appropriate for use in certain equipment where reliability is critical or where the products may be subjected to extreme conditions. You should consult our sales office before using the products in any of the following types of equipment.

Aerospace Equipment
Equipment Used in the Deep sea
Power Generator Control Equipment (Nuclear, Steam, Hydraulic)
Life Maintenance Medical Equipment
Fire Alarm/Intruder Detector
Vehicle Control Equipment (airplane, railroad, ship, etc.)
Various Safety devices
7. New JRC's products have been designed and tested to function within controlled environmental conditions. Do not use products under conditions that deviate from methods or applications specified in this catalog. Failure to employ New JRC products in the proper applications can lead to deterioration, destruction or failure of the products. New JRC shall not be responsible for any bodily injury, fires or accident, property damage or any consequential damages resulting from misuse or misapplication of its products. Products are sold without warranty of any kind, either express or implied, including but not limited to any implied warranty of merchantability or fitness for a particular purpose.
8. Warning for handling Gallium and Arsenic(GaAs) Products (Applying to GaAs MMIC, Photo Reflector). This Products uses Gallium(Ga) and Arsenic(As) which are specified as poisonous chemicals by law. For the prevention of a hazard, do not burn, destroy, or process chemically to make them as gas or power. When the product is disposed, please follow the related regulation and do not mix this with general industrial waste or household waste.
9. The product specifications and descriptions listed in this catalog are subject to change at any time, without notice.

