

## ADJUSTABLE LOW DROPOUT VOLTAGE REGULATOR

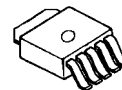
### ■ GENERAL DESCRIPTION

The NJM2887 is an adjustable low dropout voltage regulator with ON/OFF control.

Advanced Bipolar technology achieves low noise, high ripple rejection and low quiescent current.

It is suitable for DVD, FAX and Car Audio.

### ■ PACKAGE OUTLINE

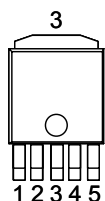


NJM2887DL2

### ■ FEATURES

- High Ripple Rejection      75dB typ. (f=1kHz)
- Output Noise Voltage       $V_{no}=45\mu V_{rms}$
- Output capacitor with 2.2 $\mu F$  ceramic capacitor
- Output Current               $I_o(max.)=500mA$
- High Precision Output       $V_{ref}=1.27V\pm 1.0\%$
- Low Dropout Voltage      0.18V typ. ( $I_o=300mA$ )
- ON/OFF Control
- Internal Short Circuit Current Limit
- Internal Thermal Overload Protection
- Bipolar Technology
- Package Outline              TO-252-5

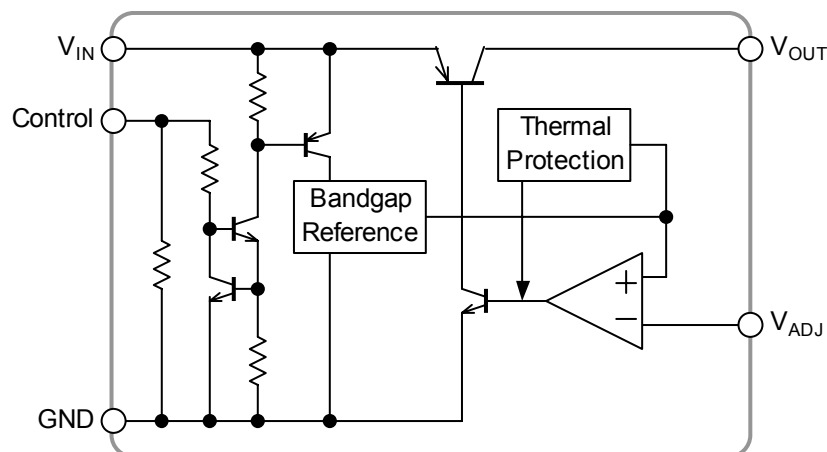
### ■ PIN CONFIGURATION



PIN FUNCTION	
1.	CONTROL
2.	$V_{IN}$
3.	GND
4.	$V_{OUT}$
5.	$V_{ADJ}$

NJM2887DL2

### ■ EQUIVALENT CIRCUIT



# NJM2887

## ■ ABSOLUTE MAXIMUM RATINGS (Ta=25°C)

PARAMETER	SYMBOL	RATINGS	UNIT
Input Voltage	V <sub>IN</sub>	+14	V
Control Voltage	V <sub>CONT</sub>	+14(*note 1)	V
Power Dissipation	P <sub>D</sub>	8(Tc=25°C) 0.8(Ta≤25°C)	mW
Operating Temperature	Topr	-40 ~ +85	°C
Storage Temperature	Tstg	-40 ~ +125	°C

(\*note 1): When input voltage is less than +14V, the absolute maximum control voltage is equal to the input voltage.

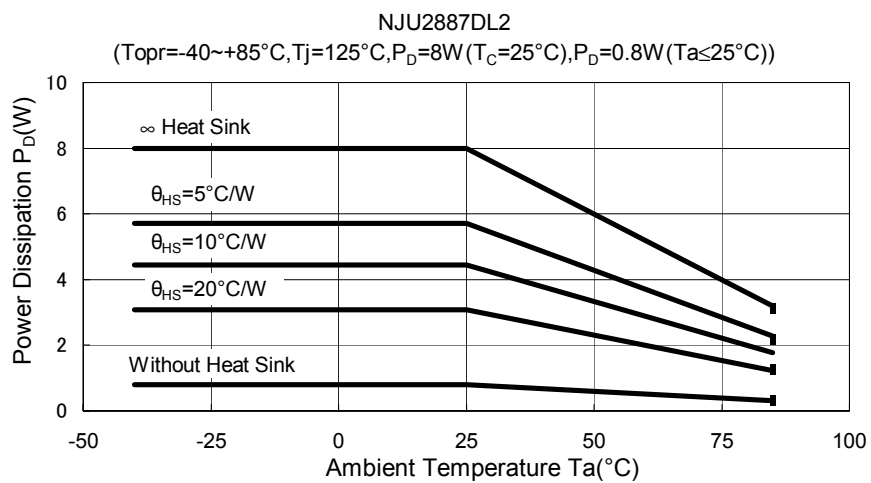
## ■ ELECTRICAL CHARACTERISTICS

(V<sub>IN</sub>=Vo+1V, R1=100kΩ, C<sub>IN</sub>=0.33μF, Co=2.2μF:Vo (Co=4.7μF: Vo≤2.6V), Ta=25°C)

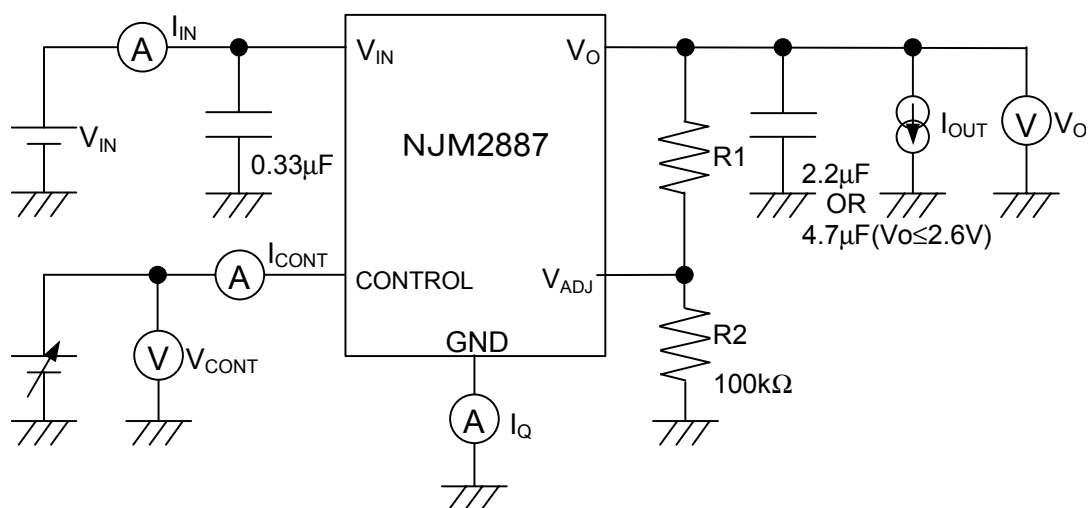
PARAMETER	SYMBOL	TEST CONDITION	MIN.	TYP.	MAX.	UNIT
Output Voltage	Vo	Io=30mA	-1.0%	–	+1.0%	V
Reference Voltage	Vref	Io=30mA	1.257	1.27	1.283	V
Quiescent Current	I <sub>Q</sub>	Io=0mA	–	200	300	μA
Quiescent Current at Control OFF	I <sub>Q(OFF)</sub>	V <sub>CONT</sub> =0V	–	–	100	nA
Output Current	Io	Vo–0.3V	500	650	–	mA
Line Regulation	ΔVo/ΔV <sub>IN</sub>	V <sub>IN</sub> =Vo+1V ~ Vo+6.0V, Io=30mA	–	–	0.10	%/V
Load Regulation	ΔVo/ΔIo	Io=0 ~ 500mA	–	–	0.03	%/mA
Dropout Voltage(*note 2)	ΔV <sub>TO</sub>	Io=300mA	–	0.18	0.28	V
Ripple Rejection	RR	ein=200mVrms, f=1kHz, Io=10mA Vo=3.0V Version	–	75	–	dB
Average Temperature Coefficient of Output Voltage	ΔVo/ΔTa	Ta=0–85°C, Io=10mA	–	±50	–	ppm/°C
Output Noise Voltage	V <sub>NO</sub>	f=10Hz–80kHz, Io=10mA, Vo=3.0V Version	–	45	–	μVrms
Control Voltage for ON-state	V <sub>CONT(ON)</sub>		1.6	–	–	V
Control Voltage for OFF-state	V <sub>CONT(OFF)</sub>		–	–	0.6	V

(\*note 2): Except output voltage less than 2.1V.

## POWER DISSIPATION VS. AMBIENT TEMPERATURE



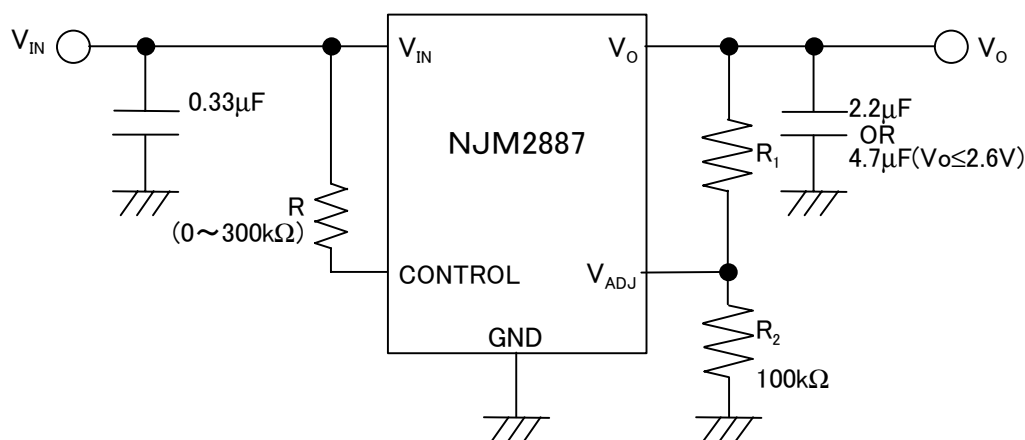
## TEST CIRCUIT



# NJM2887

## ■ TYPICAL APPLICATION

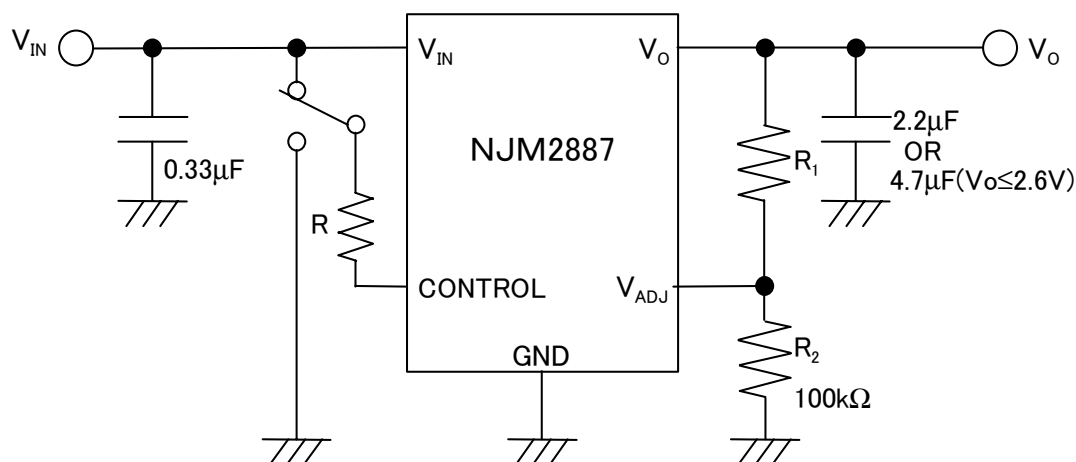
① In the case where ON/OFF Control is not required:



Connect control terminal to  $V_{IN}$  terminal

The quiescent current can be reduced by using a resistance “R”. Instead, it increases the minimum operating voltage. For further information, please refer to Figure “Output Voltage vs. Control Voltage”.

② In use of ON/OFF CONTROL:



State of control terminal:

- “H” → output is enabled.
- “L” or “open” → output is disabled.

**[CAUTION]**

The specifications on this databook are only given for information, without any guarantee as regards either mistakes or omissions. The application circuits in this databook are described only to show representative usages of the product and not intended for the guarantee or permission of any right including the industrial rights.