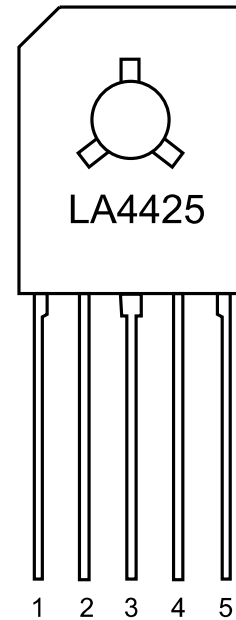
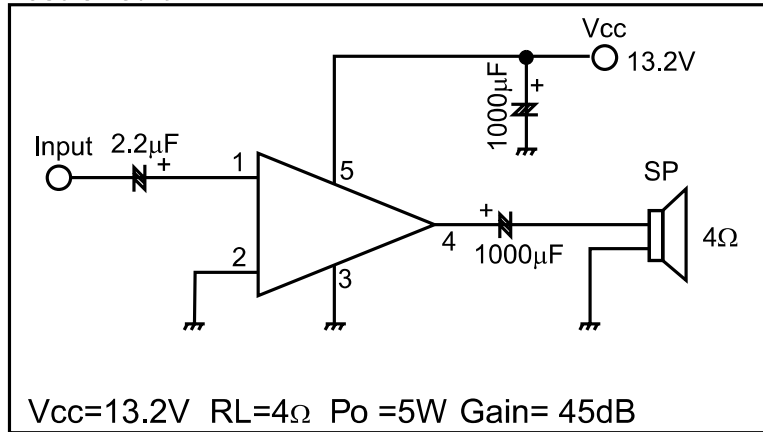


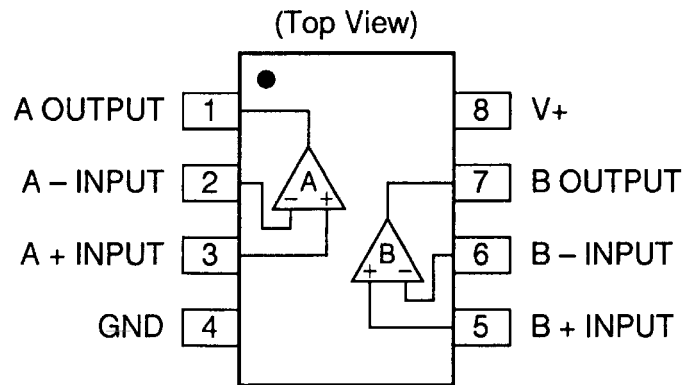
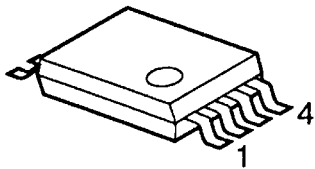
# 10) LA4425A (XA0410)

## 5W Audio Power Amplifiers

### Test Circuit



# 11) NJM2904V (XA0573)



# 12) NJM2902V-TE1 (XA0596)

## Quad Single Supply Operational Amplifier

