

**Released**

**- Specification -**  
**Ku-band GaN 16W BUC**  
**Model No. NJT8336 series**

<b>RF Frequency</b>	<b>Local Frequency</b>	<b>IF Frequency</b>
13.75 to 14.5 GHz	12.8 GHz	950 to 1,700 MHz
14 to 14.5 GHz	13.05 GHz	950 to 1,450 MHz

Rated Output Power: +42 dBm (16W)

IF Input Interface: N-type / F-type, Female Connector

Ref. (10MHz) Input: IF Connector

DC Power Input: Circular Connector / IF Connector (\*)

RF Output Interface: Waveguide, WR-75 with Groove

M&C: RS-485 / Ethernet(HTTP/SNMP v2c) / Parallel I/O

Power Supply: DC Power, +36 to +54 V DC

\*) Circular Connector models are available to apply DC voltage via either Circular Connector or IF Connector.

**Copyright©**  
**Nisshinbo Micro Devices Inc.**  
**Microwave Business Division**

-Notice of Proprietary Information-

This document and its contents are proprietary to Nisshinbo Micro Devices Inc.  
This publication and its contents may not be reproduced or distributed for any other purpose  
without the written permission of Nisshinbo Micro Devices Inc.  
Those specifications listed in this document are subject to change at any time.





## Caution

1. While Nisshinbo Micro Devices Inc. (NISD) continually strives to improve the quality and reliability of our products, failures will occur in microwave products over time. For this reason, it is important that customers fulfill their responsibilities to ensure designed-in safety – including failsafe functions, redundancy, and measures to prevent malfunctions and the spread of fire – in order to avoid injuries, accidents, or social repercussions resulting from the failure of any products related to satellite communications on this website (hereinafter, “the product”). Customers must pay careful attention to ensuring the safety of their equipment.
2. The product is designed and tested to function in accordance with its specifications. Do not use under conditions that deviate from the product specifications included in the delivery specifications. NISD assume no responsibility and shall not be liable for any injuries, accidents, or social repercussions resulting from the product being in a poor or damaged state because it was used under conditions that depart from the specifications.
3. The product is covered by a warranty for one year following delivery unless otherwise stipulated in the contract or delivery conditions. In the event of a failure for which NISD are responsible occurring during the warranty period, NISD undertake to repair or replace the product free of charge. Note, however, that the warranty does not cover failures such as those listed here (see bullets below), even if they occur within the warranty period. In addition, in the case of a product being repaired or replaced by us, the starting date for the warranty period is still the original delivery date of the product.
  - Failure due to the product being used in conditions other than those stipulated in the data sheet, specification sheet, etc.
  - Failure due to modifications or repairs carried out by some entity other than our company
  - Failure determined to be the result of unsuitable maintenance or replacement of a consumable item that requires due maintenance
  - Failure due to circumstances that were unforeseeable given the scientific/technological standards at the time of shipment
  - Other failures due to external factors such as fire, earthquake, flood and power supply anomalies for which NISD are not responsible

In addition, the product warranty is limited to the provision of repair services or replacement at no cost. It does not cover secondary damage (to equipment, business opportunities, profits, etc.) or any other damage that may have resulted from failure of the product.

4. The product must be handled appropriately to ensure its continued reliability. Since it can be damaged by the intrusion of water, dust, oil, chemicals, etc., it must be given appropriate protection. Even in the case of a product with an airtight construction, avoid using it in an environment that exceeds the stated levels of waterproofing/dustproofing. Also, be sure to use connectors and waveguides properly.  
If replacement parts such as fans are included, proper maintenance is necessary. To maintain product performance and functionality, it is necessary to conduct inspections and maintenance at appropriate intervals and exchange replacement parts when necessary. Improper inspections or maintenance may result in failure.  
In addition, the warranty does not cover the use of the product in areas where salt damage can be expected or where there is a substantial presence of corrosive gases such as Cl<sub>2</sub>, H<sub>2</sub>S, SO<sub>2</sub>, and NO<sub>2</sub>. If the product is to be used in such areas, at the time of installation you must take appropriate steps to protect the product.
5. If the product is to be used with equipment/systems that must meet special quality and reliability standards (aerospace equipment, medical equipment, power generation control equipment, automotive/railway transportation equipment, safety equipment, disaster prevention and security equipment, etc.), please consult with our sales staff in advance.
6. Some products contain gallium arsenide (GaAs), classified as a harmful substance. To avoid danger, do not incinerate, crush, or chemically treat the product in such a way that gases or dust are released. When disposing of the product, comply with all applicable laws and regulations and do not treat it as general industrial waste or household waste.
7. When exporting a product or technology, observe export laws and regulations such as those governing foreign exchange and foreign trade, and obtain any necessary licenses for export, service transactions, etc.  
NISD request that you do not use our products or the technical data published on this website for developing weapons of mass destruction or for any other military purposes or applications.
8. The product specifications in this document are subject to change without notice. If you are considering using a product, delivery specifications must first be settled.

\* Above Specifications are subject to change without notice.

## Scope

This BUC is designed for the block up-converter intended for the satellite communication data uplink application in Ku-band. It can transmit an RF signal (Ku-band: 14.0 to 14.5 GHz or 13.75 to 14.5 GHz) output with up to 16W (+42 dBm) linear operation. It is combined a high power GaN HEMT and linearizer for higher power linear output, and a block up-converter with a phase locked local oscillator (13.05 GHz or 12.8 GHz) which is synchronized with external 10MHz reference.

The BUC receives a reference signal (10 MHz) and an IF signal (L-band: 950 to 1,450 MHz or 950 to 1,700 MHz) input and transmits an RF signal (Ku-band: 14.0 to 14.5 GHz or 13.75 to 14.5 GHz) output. It is operated by +48 V DC power (Range: +36 to +54 V) input via either Circular Connector or IF Connector. The BUC can support the monitor and control functions by either Ethernet interface with both HTTP protocol of web browser and SNMP v2c protocol or RS-485 (or RS-232C option) interface with NISD original protocol.

The BUC comes in a single, weatherized housing rated for outdoor use and has either an N-Type or F-type female connector as IF input, a WR-75 waveguide flange as RF output.



## Features

- Advanced GaN HEMT and Internal Linearizer Equipped
- Possible to transmit output power with up to 16W (+42 dBm) with linear operation  
Rated Output Power( $P_{Rated}$ ): +42 dBm  
Linear Output Power: +42 dBm typ. for -26 dBc ACPR / Spectrum Regrowth  
+41 dBm typ. for -30 dBc ACPR / Spectrum Regrowth
- Power Consumption: 110 W typ., 115 W max. @  $P_{Rated}$ , 85W typ. @ No IF Signal
- Excellent Receive Band Rejection Filter Equipped:  
Receive Band Noise Density: -156 dBm/Hz max. @ 10.95 to 12.75 GHz
- Output Isolator Option Available: 1.3 : 1 max. for output VSWR [Isolator Option model]
- Various M&C Interface Support: Ethernet(HTTP/SNMP v2c), RS-485, Parallel I/O, RS-232(option)
- Supporting High Operation Temperature: -40 to +75 °C for Operation guarantee
- Smaller Size & Lighter Weight: 1.8kg [3.9 lbs]

\* Above Specifications are subject to change without notice.

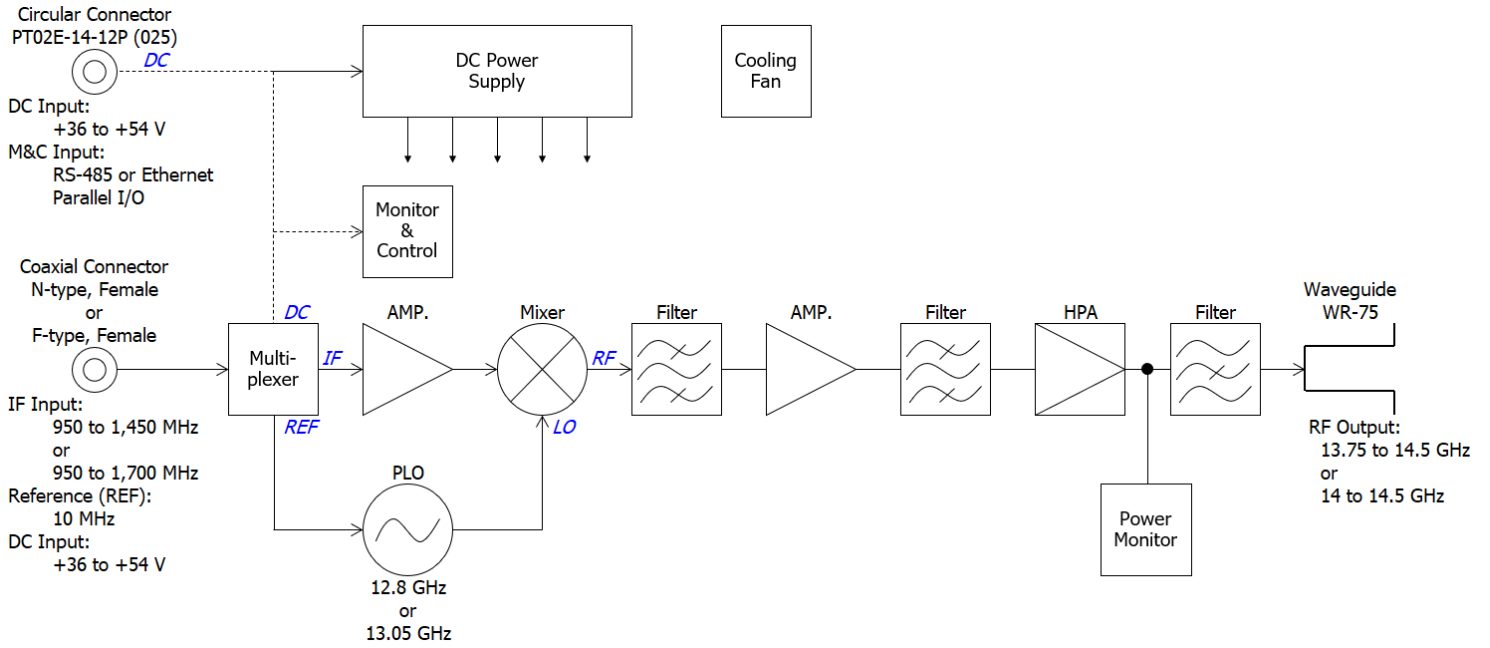
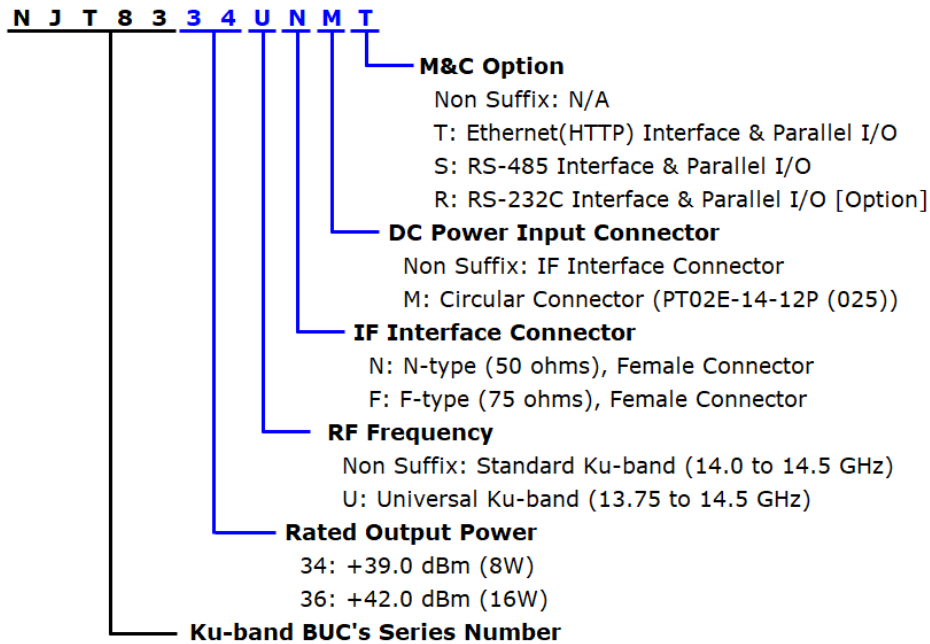


Fig.1 Functional Block Diagram

\* Above Specifications are subject to change without notice.

## Series Model Number

- Numbering System



- Line-up

Model No.	RF Frequency	Local Frequency	IF Frequency	Rated Output Power	Power Input Connector	M&C Option	IF Connector
NJT8334N	14.0 to 14.5 GHz (Standard Ku-band)	13.05 GHz	950 to 1,450 MHz	8W (+39 dBm min.)	IF Interface Connector	N/A	N-type
NJT8334F					F-type		
NJT8334NMT					IF Interface Connector or Circular Connector	Ethernet (HTTP)	N-type
NJT8334FMT							F-type
NJT8334NMS						RS-485	N-type
NJT8334FMS							F-type
NJT8334UN	13.75 to 14.5 GHz (Universal Ku-band)	12.8 GHz	950 to 1,700 MHz		IF Interface Connector	N/A	N-type
NJT8334UF					F-type		
NJT8334UNMT					IF Interface Connector or Circular Connector	Ethernet (HTTP)	N-type
NJT8334UFMT							F-type
NJT8334UNMS						RS-485	N-type
NJT8334UFMS							F-type
NJT8336N	14.0 to 14.5 GHz (Standard Ku-band)	13.05 GHz	950 to 1,450 MHz	16W (+42 dBm min.)	IF Interface Connector	N/A	N-type
NJT8336F					F-type		
NJT8336NMT					IF Interface Connector or Circular Connector	Ethernet (HTTP)	N-type
NJT8336FMT							F-type
NJT8336NMS						RS-485	N-type
NJT8336FMS							F-type
NJT8336UN	13.75 to 14.5 GHz (Universal Ku-band)	12.8 GHz	950 to 1,700 MHz		IF Interface Connector	N/A	N-type
NJT8336UF					F-type		
NJT8336UNMT					IF Interface Connector or Circular Connector	Ethernet (HTTP)	N-type
NJT8336UFMT							F-type
NJT8336UNMS						RS-485	N-type
NJT8336UFMS							F-type

\* Above Specifications are subject to change without notice.

## 1. Electrical Specifications

#	Items	Specifications
1.1.	Output RF Frequency Range	
	<Universal Ku-band>	13.75 to 14.5 GHz
	<Standard Ku-band>	14 to 14.5 GHz
1.2.	Input IF Frequency Range	
	<Universal Ku-band>	950 to 1,700 MHz
	<Standard Ku-band>	950 to 1,450 MHz
1.3.	Maximum IF Input Level (without damage)	+13 dBm max.
1.4.	Conversion Type	Single, fixed L.O.
1.5.	L.O. Frequency	
	<Universal Ku-band>	12.8 GHz
	<Standard Ku-band>	13.05 GHz
1.6.	Frequency Sense	Positive
1.7.	Output Power	
	[Rated Output Power ( $P_{Rated}$ )]	+42 dBm over temperature
	[Linear Output Power 1 ( $P_{Linear-1}$ )]	+42 dBm typ. at -26 dBc ACPR / Regrowth <sup>*Note1</sup>
	[Linear Output Power 2 ( $P_{Linear-2}$ )]	+41 dBm typ. at -30 dBc ACPR / Regrowth <sup>*Note1</sup>
1.8.	Minimum Gain at $P_{rated}$	62 dB
1.9.	Gain Variation over frequency at $P_{rated}$ - 6dB @ fixed temperature	
	<Universal Ku-band>	5 dBp-p max. over 750 MHz 2 dBp-p max. over any 54 MHz
	<Standard Ku-band>	5 dBp-p max. over 500 MHz 2 dBp-p max. over any 54 MHz
1.10.	Gain Stability over temperature at $P_{rated}$ - 6dB @ fixed frequency	5 dBp-p max. 2 dBp-p typ.
1.11.	ACPR / Regrowth Modulation Condition: Modulation: QPSK Symbol Rate: 1 Msps Data Type: PN23 FIR filter: RNYQ, $\alpha=0.2$	-24 dBc max. @ +42 dBm Output Power at 1 MHz offset from modulation center frequency

\*Note1: Modulation condition and offset frequency for  $P_{Linear-1}$  and  $P_{Linear-2}$  are same as item #1.11 ACPR / Regrowth.

\* Above Specifications are subject to change without notice.

#	Items	Specifications
1.12.	Requirement for External Reference [Frequency] [Input Power] [Phase Noise]	10 MHz (sine-wave) -5 to +5 dBm @ Input port -125 dBc/Hz max. @ 100 Hz -130 dBc/Hz max. @ 1 kHz -140 dBc/Hz max. @ 10 kHz
1.13.	L.O. Phase Noise	-60 dBc/Hz max. @ 100 Hz -70 dBc/Hz max. @ 1 kHz -80 dBc/Hz max. @ 10 kHz -90 dBc/Hz max. @ 100 kHz -100 dBc/Hz max. @ 1MHz
1.14.	Integrated Phase Jitter (DSB)	1.5 deg. RMS between 1 kHz and 5 MHz
1.15.	Spurious at P <sub>Rated</sub> [In-band] [Receive band] [Out-of-band]	-60 dBc max. @ RF Frequency -120 dBm max. @ 10.95 to 12.75 GHz -60 dBc max. including 2 <sup>nd</sup> Harmonics
1.16.	Receive Band Noise Density	-156 dBm/Hz max. @ 10.95 to 12.75 GHz
1.17.	Transmit Band Noise Density	-87 dBm/Hz max. @ RF Frequency
1.18.	Input Impedance <N-type Model> <F-type Model>	50 ohms nom 75 ohms nom.
1.19.	Input V.S.W.R.	2 : 1 max.
1.20.	Output V.S.W.R.	2 : 1 max. 1.3 : 1 max. for Isolator Option, refer to <a href="#">Section 7.1</a>
1.21.	Output Load V.S.W.R. [Recommendation] [Non Damage]	1.3 : 1 max. 2 : 1 max.
1.22.	DC Power Requirement [Voltage Range] [Power Consumption]	+48 VDC (+36 to +54 VDC) 110 W typ., 115 W max. @ P <sub>Rated</sub> 85 W typ. @ No IF signal 12 W max. @ 10 MHz reference off (Mute on)
1.23.	Mute	Shut off the HPA in case of "L.O. unlock", "no 10 MHz reference signal", "Over temperature", "failure of internal power supply", or "out of input voltage range of DC power".

\* Above Specifications are subject to change without notice.

#	Items	Specifications									
1.24.	LED Indicator	GREEN: Normal RED: Mute status RED Blinking: Fan Alarm									
1.25.	Monitor and Control – The detail is mentioned in <a href="#">Appendix B</a> . Interface type: RS-485/ RS-232(Optional), Ethernet(HTTP / SNMP v2c), Parallel I/O <u>RS-485/RS-232(Optional)</u> [Functions] Monitor: Output Power Monitor, Temperature, Transmit On/Off Status, Alarm(Summary alarm, L.O. unlock, Over temperature <sup>*Note2</sup> , etc), Step Attenuator Control: Transmit On/Off, Step Attenuator, Parallel I/O Setting [Output Power Monitor] Detector Range: 15 dB (up to P <sub>rated</sub> ), Reading Accuracy: +/- 1.0 dB [Step Attenuator] Attenuator Range: 0 to 31.5 dB, Attenuator Step: 0.5 dB <u>Ethernet(HTTP / SNMP v2c)</u> [Functions] Monitor: Output Power Monitor, Temperature, Transmit On/Off Status, Alarm(Summary alarm, L.O. unlock, Over temperature <sup>*Note2</sup> , etc), Step Attenuator Control: Transmit On/Off, Step Attenuator, Parallel I/O Setting [IP address configuration] Default: Static IP (DHCP off) / Static IP address: 192.168.0.127 (Default) Subnet mask: 255.255.255.0 [Protocol] HTTP protocol (supporting Web Browse), SNMP protocol (v2c) [Output Power Monitor] Detector Range: 15 dB (up to P <sub>rated</sub> ), Reading Accuracy: +/- 1.0 dB [Step Attenuator] Attenuator Range: 0 to 31.5 dB, Attenuator Step: 0.5 dB <u>Parallel I/O</u>	<table border="1" style="width: 100%; border-collapse: collapse;"> <tr> <td style="width: 15%;">Functions</td> <td style="width: 40%;">Summary Alarm Monitor</td> <td style="width: 45%;">Transmit On/Off Control <small>*Note3</small></td> </tr> <tr> <td>Interface</td> <td>3V pull-up Refer to <a href="#">Fig.1 "Interface of Parallel I/O"</a>.</td> <td>Dry contact</td> </tr> <tr> <td>Logic</td> <td>Normal – Close Fault – Open</td> <td>Open – TX ON Close – TX OFF <small>*Configuration <b>Default</b> <sup>*Note4</sup></small></td> </tr> </table> <p>Summary Alarm Monitor) This Monitor is Sum of "L.O. unlock", "Over temperature"<sup>*Note2</sup>, "Fan rotation alarm", "Failure of internal power supply" and "Out of voltage of DC power input".</p>	Functions	Summary Alarm Monitor	Transmit On/Off Control <small>*Note3</small>	Interface	3V pull-up Refer to <a href="#">Fig.1 "Interface of Parallel I/O"</a> .	Dry contact	Logic	Normal – Close Fault – Open	Open – TX ON Close – TX OFF <small>*Configuration <b>Default</b> <sup>*Note4</sup></small>
Functions	Summary Alarm Monitor	Transmit On/Off Control <small>*Note3</small>									
Interface	3V pull-up Refer to <a href="#">Fig.1 "Interface of Parallel I/O"</a> .	Dry contact									
Logic	Normal – Close Fault – Open	Open – TX ON Close – TX OFF <small>*Configuration <b>Default</b> <sup>*Note4</sup></small>									

\* Above Specifications are subject to change without notice.



\*Note2: Regardless of cooling fan status, the BUC will operate until status of over temperature which turn out at around +125 °C of internal temperature of HPA, and the Mute and Alarm will function at status of over temperature. When the internal temperature of HPA lowers to +105 °C, the BUC automatically recovers from the alarm condition.

\*Note3: Disable / Enable of Transmit On/Off Control of Parallel I/O can be changed by Parallel I/O Configuration of RS-485/RS-232 (Option) or Ethernet (HTTP/SNMP v2c). The default is Enable.

\*Note4: Logic (Open – TX ON; Close – TX OFF) of Transmit On/Off of Parallel I/O can be changed by Parallel I/O Configuration of RS-485/RS-232(Option) or Ethernet(HTTP/SNMP v2c).

Transmit On/Off is also controlled by RS-485/RS-232 (Option) or Ethernet (HTTP/SNMP v2c), so with a combination of Parallel I/O settings, the BUC status is as follows.

Transmit On/Off Control		RS-485/RS-232 / Ethernet	BUC Status
Parallel I/O			
Enable (Default)	ON (Default: Open)	ON(Default)	TX ON
		OFF	TX OFF
	OFF (Default: Close)	ON(Default)	TX OFF
		OFF	TX OFF
Disable	---	ON(Default)	TX ON
	(not available)	OFF	TX OFF

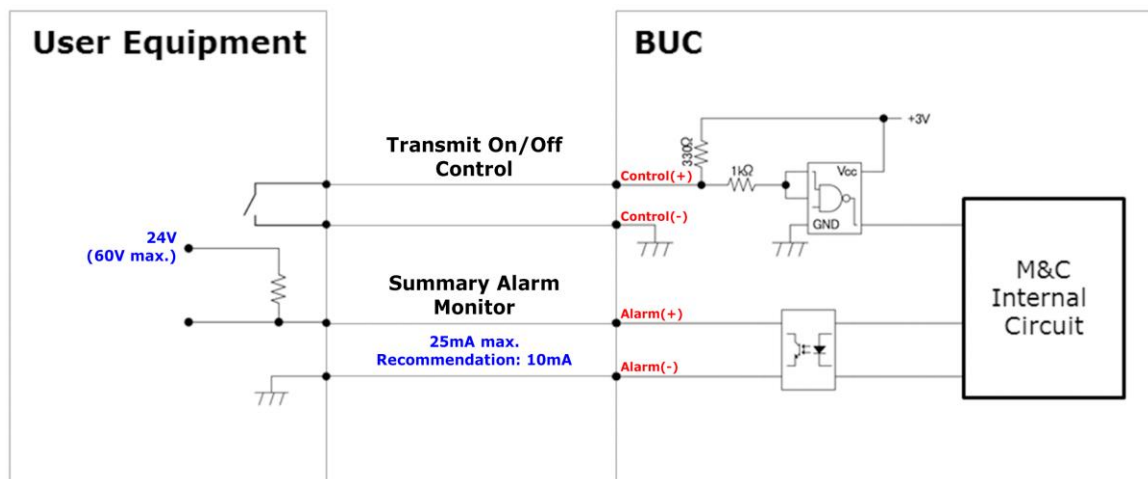


Fig. 1 Interface of Parallel I/O

\* Above Specifications are subject to change without notice.

## 2. Mechanical Specifications

#	Items	Specifications
2.1.	Input Interface  [IF Connector]    [Circular Connector]	IF / Ref. / DC Power Input: <sup>*Note5</sup> <u>for N-type Model</u> Coaxial Connector , N-type Female - 50 ohms <u>for F-type Model</u> Coaxial Connector , F-type Female - 75 ohms DC Power Input / M&C Signal: <sup>*Note5</sup> Model: PT02E-14-12P (025) Mating connector: PT06E-14-12S (470) Assignment: Refer to <a href="#">Chart 1</a>
2.2.	Output Interface	Waveguide, WR-75 (with Groove)
2.3.	Dimension & Housing without interface connectors and screws	161 (L) × 83.8 (W) × 86.4 (H) mm [6.34" (L) × 3.30" (W) × 3.40" (H)]
2.4.	Weight	1.8 kg [4.0 lbs]
2.5.	Cooling	Forced-air-cooled <sup>*Note6</sup>

\*Note5: Circular Connector models are available to apply DC voltage via either Circular Connector or IF Connector.

**Caution: DO NOT apply DC voltage via both Circular Connector and IF Connector. If DC voltage is applied on both connectors, it may damage the BUC or the BUC may not operate properly.**

\*Note6: The cooling fan is controlled by the following internal temperatures of power supply circuit; Turned ON – +20 °C / Turned OFF – +15 °C. The status of the cooling fan can be checked by the M&C function of RS-485/RS-232 (Option) or Ethernet (HTTP/SNMP v2c).

Chart 1: Assignment



	Ethernet Option	RS-485 Option	RS-232C Option
Pin A:	Ethernet TX+	RS-485 RX+	GND COMMON (RS-232C)
Pin B:	Ethernet TX-	RS-485 RX-	N.C.
Pin C:	Alarm (+)	Alarm (+)	Alarm (+)
Pin D:	Alarm (-)	Alarm (-)	Alarm (-)
Pin E:	Control (-)	Control (-)	Control (-)
Pin F:	Control (+)	Control (+)	Control (+)
Pin G:	Ethernet RX+	RS-485 TX-	RS-232C TxD
Pin H:	Ethernet RX-	RS-485 TX+	RS-232C RxD
Pin J:	DC Power (+) / Prime <sup>*Note5</sup>	DC Power (+) / Prime <sup>*Note5</sup>	DC Power (+) / Prime <sup>*Note5</sup>
Pin K:	DC Power (-) / Return	DC Power (-) / Return	DC Power (-) / Return GND COMMON (RS-232C)
Pin L:	N.C.	N.C.	N.C.
Pin M:	N.C.	N.C.	N.C.

\* Above Specifications are subject to change without notice.

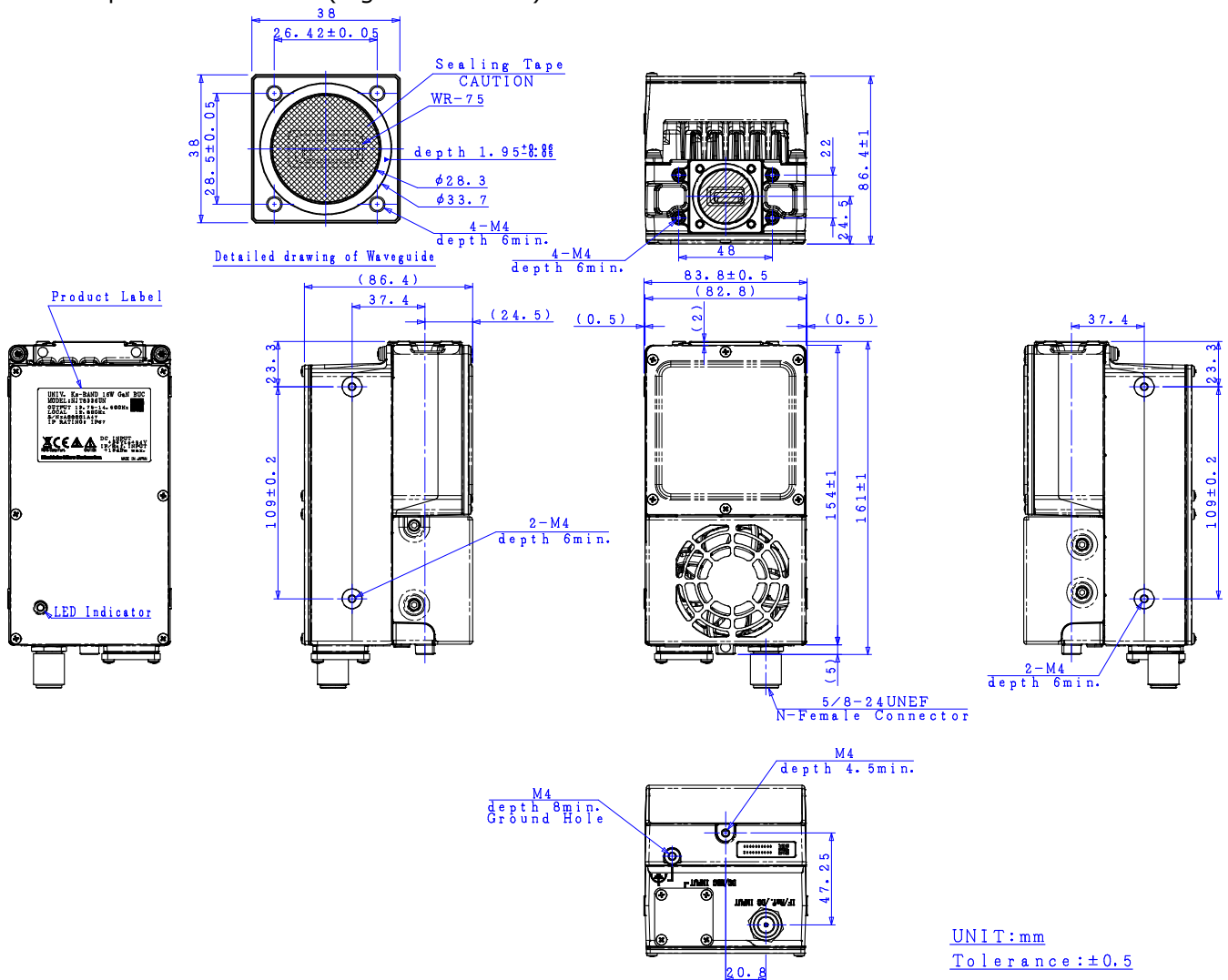
## 3. Environmental Specifications

#	Items	Specifications
3.1.	Temperature Range (Ambient) [Operating]  [Storage]	Operation Guarantee: -40 to +75 °C Performance Guarantee: -40 to +60 °C -40 to +75 °C
3.2.	Humidity	0 to 100 % RH
3.3.	Altitude	15,000 feet (4,572 m)
3.4.	Vibration (Survival)	5 G [49.03 m/s <sup>2</sup> ] (3 axis, 50 Hz to 2 kHz) 1 mm p-p (3 axis, 5 to 50 Hz)
3.5.	Shock (Survival)	30 G [294.20 m/s <sup>2</sup> ] (3 axis)
3.6.	Waterproof / Dustproof (IP Code Rating)	IP 67
3.7.	Regulations	EU Directive (CE Marking) RE - 2014/53/EU EMC - 2014/30/EU RoHS - 2011/65/EU + (EU)2015/863 Safety: EN62368-1, EN60950-22
3.8.	MTBF (by Method of Parts Count Reliability Prediction)	150,000 hours and more at +35 °C as Design Condition

\* Above Specifications are subject to change without notice.

## 4. Outline Drawing

4.1. N-type / IF Connector DC Input Model, IF Input Interface: N-type Female Connector / DC Power Input: IF Connector (e.g. NJT8336UN)

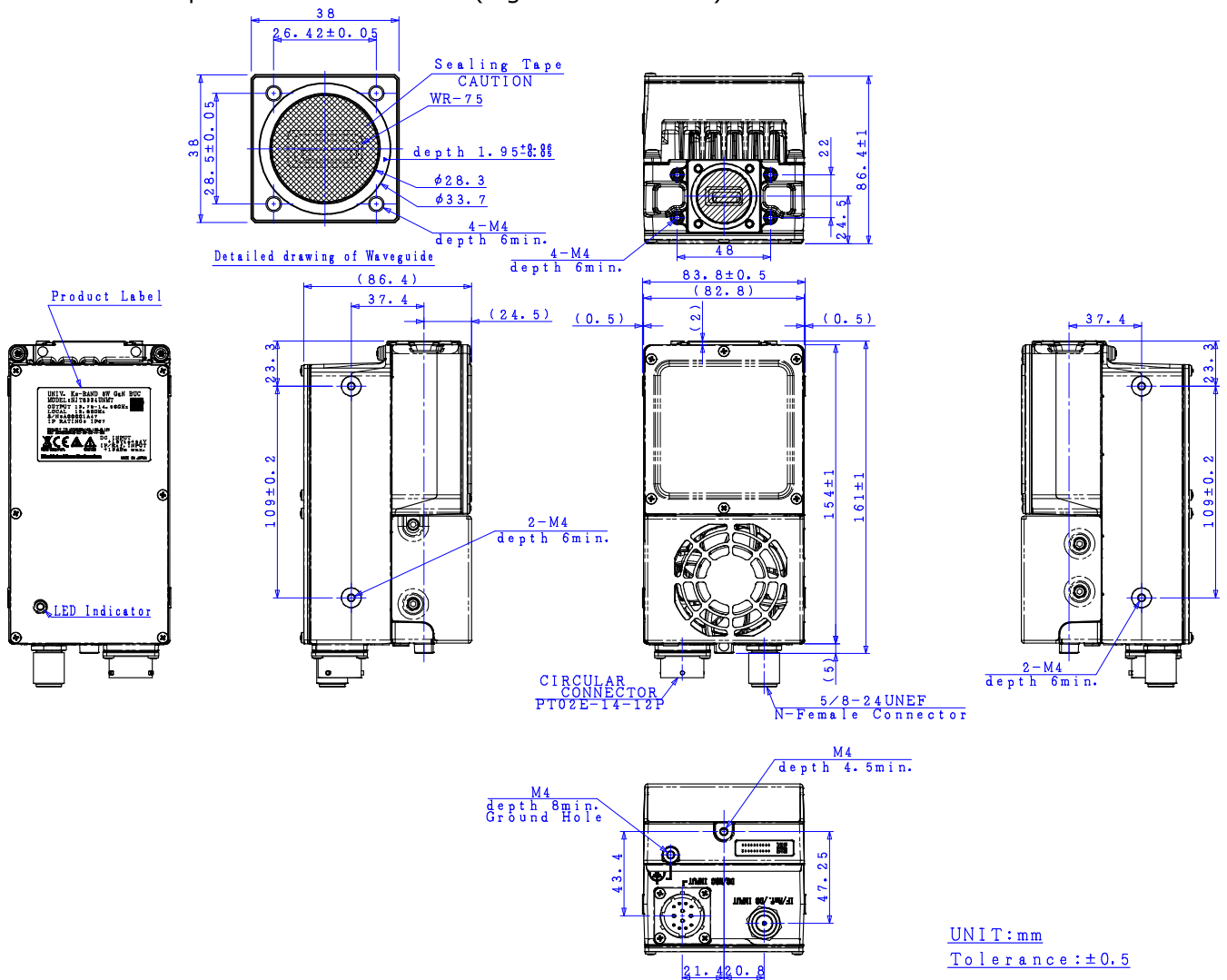


### CAUTION

Items	Description
Hot Surface	Whole of body and heat sink is hot when this BUC is powered, and even after power is disconnected until it is cooled down. <b>Do not touch hot surface to avoid a burn hazard.</b>
RF Radiation	A radiation hazard exists if this BUC is operated with its RF signal output unterminated. <b>Do not operate this BUC without a load or termination attached to the RF signal output.</b>
Sealing Tape	<b>Do not remove the sealing tape on the waveguide.</b> If the sealing tape is removed, it will lose the performance of waterproof and also it will become out-of-warranty.
Fan Rotation	<u>Do not</u> insert finger into the fan in every case and time to avoid injury also <u>do not</u> insert any objects into the fan. Keep any objects away from the fan. Incorrect usage may cause injury to self or others.

\* Above Specifications are subject to change without notice.

## 4.2. N-type / Circular Connector DC Input Model, IF Input Interface: N-type Female Connector / DC Power Input: Circular Connector (e.g. NJT8336UNMT)

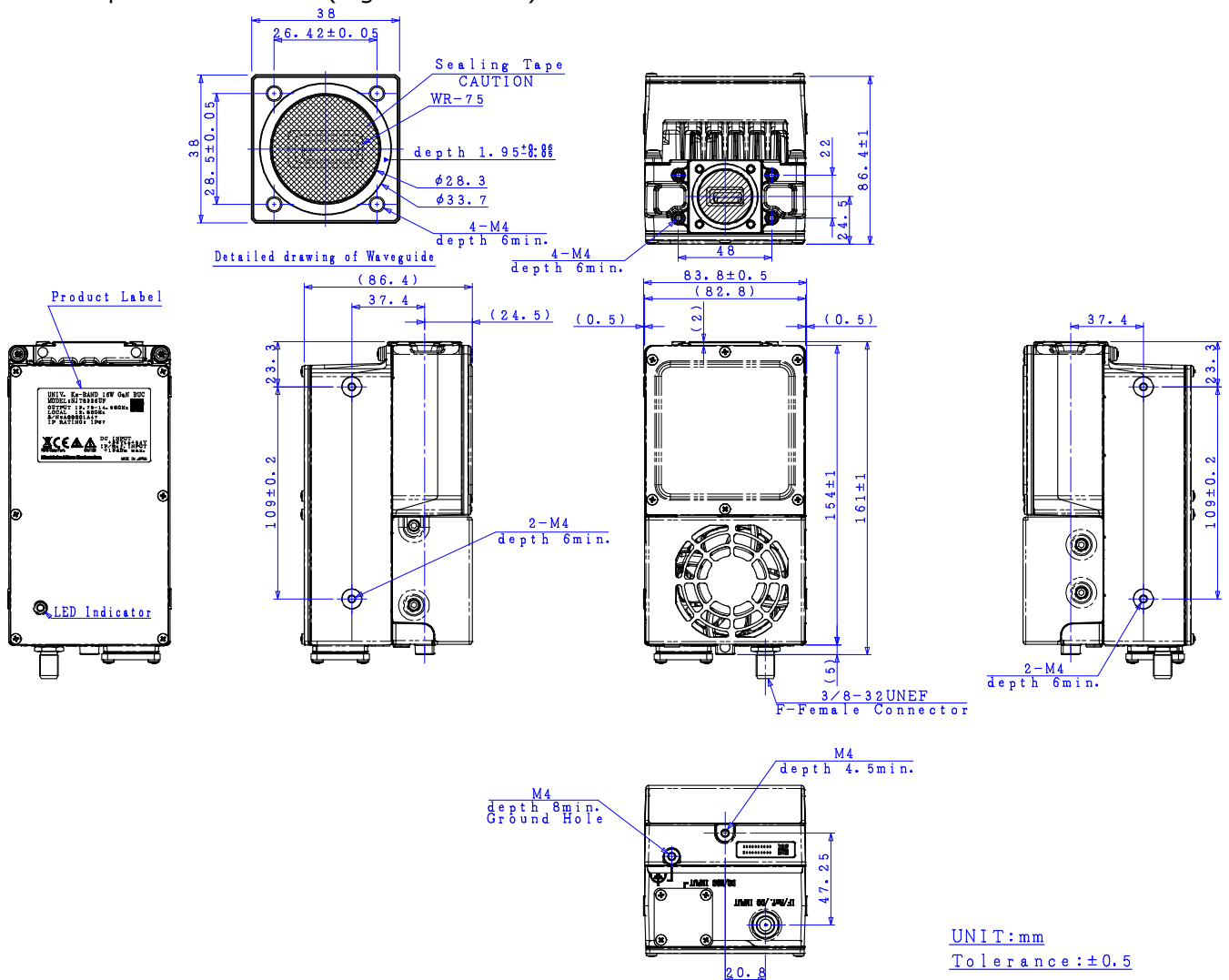


### CAUTION

Items	Description
Hot Surface	Whole of body and heat sink is hot when this BUC is powered, and even after power is disconnected until it is cooled down. <b>Do not touch hot surface to avoid a burn hazard.</b>
RF Radiation	A radiation hazard exists if this BUC is operated with its RF signal output unterminated. <b>Do not operate this BUC without a load or termination attached to the RF signal output.</b>
Sealing Tape	<b>Do not remove the sealing tape on the waveguide.</b> If the sealing tape is removed, it will lose the performance of waterproof and also it will become out-of-warranty.
Fan Rotation	<u>Do not</u> insert finger into the fan in every case and time to avoid injury also <u>do not</u> insert any objects into the fan. Keep any objects away from the fan. Incorrect usage may cause injury to self or others.

\* Above Specifications are subject to change without notice.

## 4.3. F-type / IF Connector DC Input Model, IF Input Interface: F-type Female Connector / DC Power Input: IF Connector (e.g. NJT8336UF)

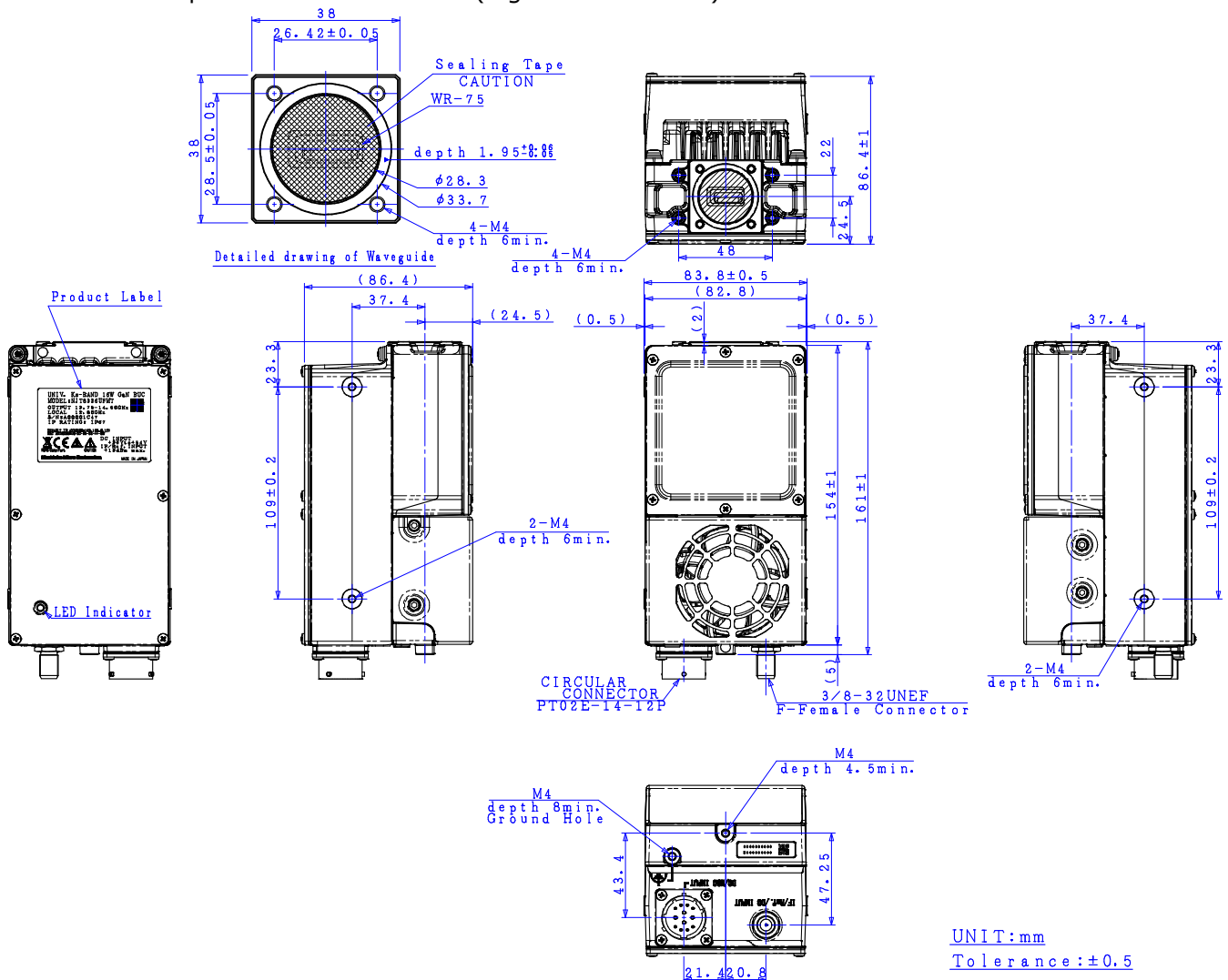


### CAUTION

Items	Description
Hot Surface	Whole of body and heat sink is hot when this BUC is powered, and even after power is disconnected until it is cooled down. <b>Do not touch hot surface to avoid a burn hazard.</b>
RF Radiation	A radiation hazard exists if this BUC is operated with its RF signal output unterminated. <b>Do not operate this BUC without a load or termination attached to the RF signal output.</b>
Sealing Tape	<b>Do not remove the sealing tape on the waveguide.</b> If the sealing tape is removed, it will lose the performance of waterproof and also it will become out-of-warranty.
Fan Rotation	<u>Do not</u> insert finger into the fan in every case and time to avoid injury also <u>do not</u> insert any objects into the fan. Keep any objects away from the fan. Incorrect usage may cause injury to self or others.

\* Above Specifications are subject to change without notice.

## 4.4. F-type / Circular Connector DC Input Model, IF Input Interface: F-type Female Connector / DC Power Input: Circular Connector (e.g. NJT8336UFMT)



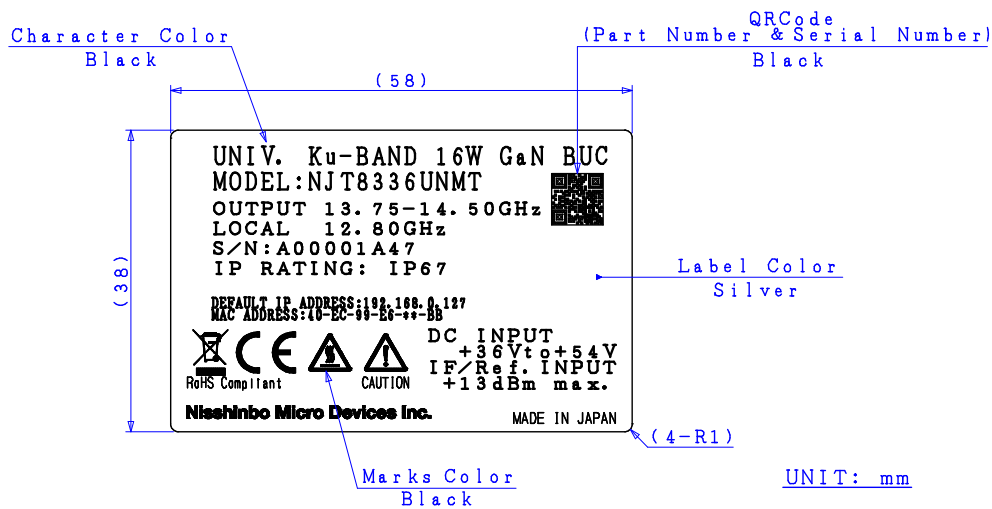
### CAUTION

Items	Description
Hot Surface	Whole of body and heat sink is hot when this BUC is powered, and even after power is disconnected until it is cooled down. <b>Do not touch hot surface to avoid a burn hazard.</b>
RF Radiation	A radiation hazard exists if this BUC is operated with its RF signal output unterminated. <b>Do not operate this BUC without a load or termination attached to the RF signal output.</b>
Sealing Tape	<b>Do not remove the sealing tape on the waveguide.</b> If the sealing tape is removed, it will lose the performance of waterproof and also it will become out-of-warranty.
Fan Rotation	<u>Do not</u> insert finger into the fan in every case and time to avoid injury also <u>do not</u> insert any objects into the fan. Keep any objects away from the fan. Incorrect usage may cause injury to self or others.

\* Above Specifications are subject to change without notice.

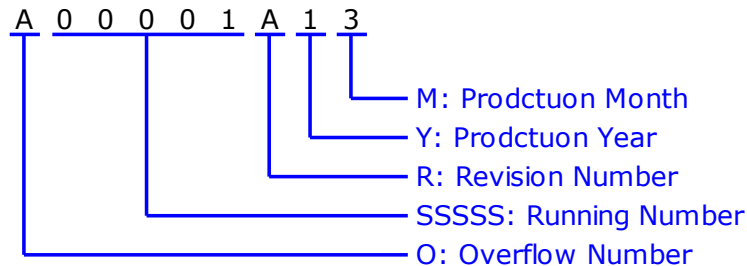
## 5. Label

### 5.1. Label Outline (e.g. NJT8336UNMT)



### 5.2. Definitions

Serial Number (OSSSSSRYM) - ALPHANUMERIC (9 characters)



O: Overflow Number - ALPHABET (1 character)

"A" to "T" except "I" and "O", e.g.: A99999 ⇒ B00001

"V" to "Z": Specified Numbers

SSSSS: Running Number - NUMBER (5 digits)

"00001" to "99999"

R: Revision Number - ALPHABET (1 character)

"A" to "Z" except "I", "O", and "U"

Y: Production Year - NUMBER (1 digit)

"0" to "9", Last Digit of Calendar Number

e.g.: 2021:"1", 2022:"2", 2023:"3".....

M: Production Month - ALPHANUMERIC (9 characters)

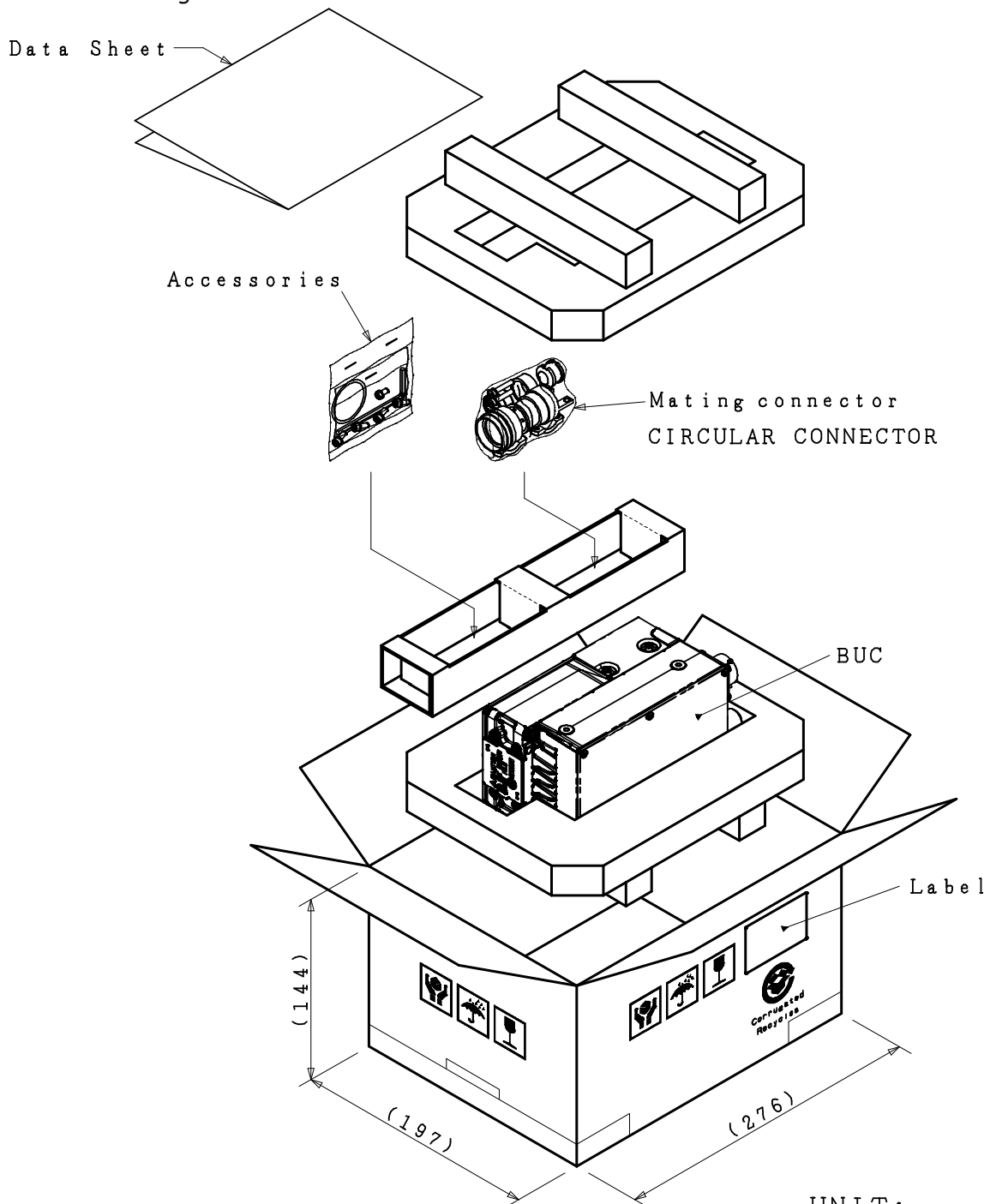
"1" to "9", "X" as October, "Y" as November, "Z" as December

\* Above Specifications are subject to change without notice.



## 6. Package

### 6.1. Individual Package



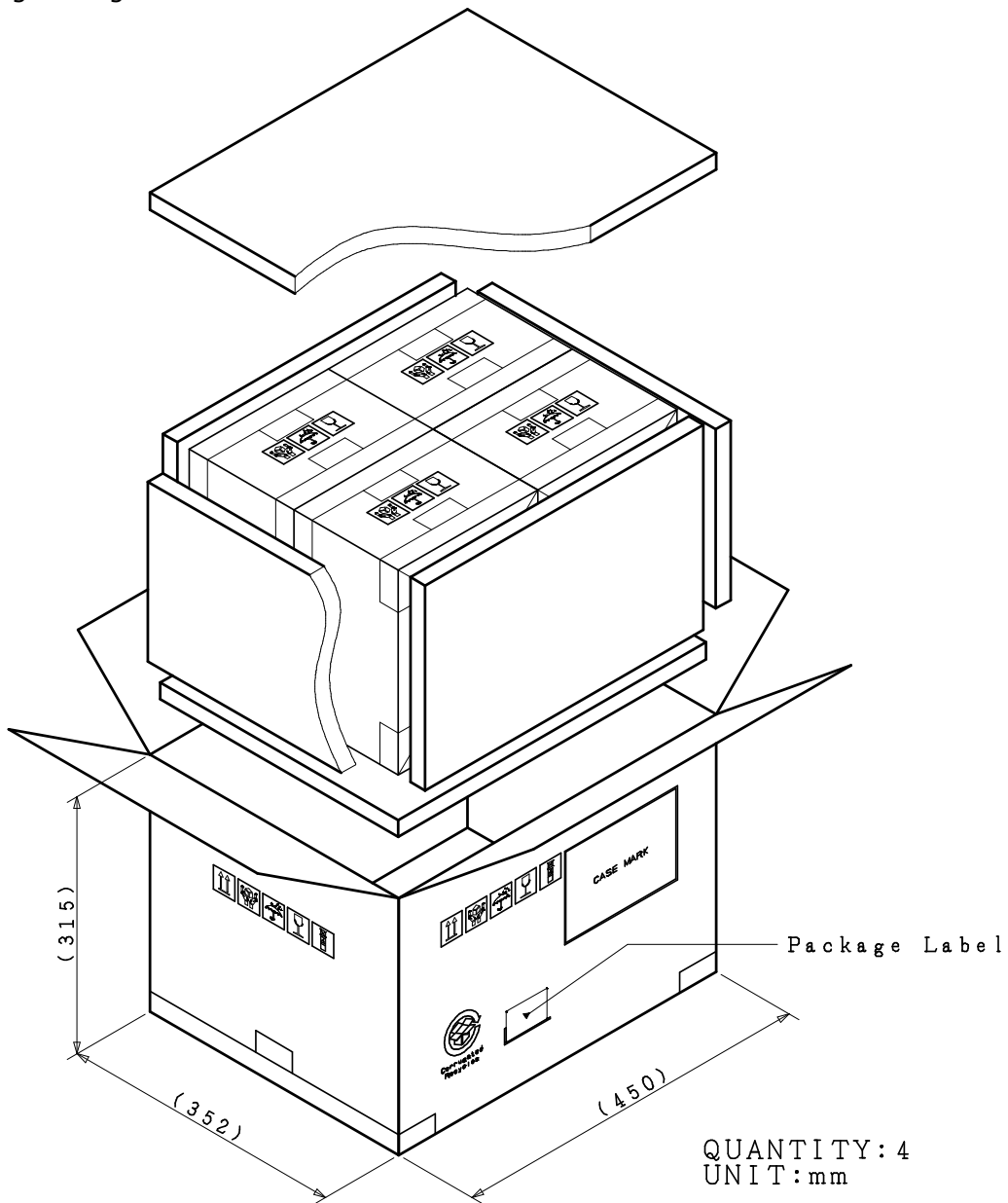
#### Accessories

- O-RING
- Hexagon Socket Head Bolts  
M4×10 4 pieces (SUS, SW and W)  
for Waveguide Flange Holes
- Hexagon Wrench Keys (M4 Type)
- Cross Recessed Head Machine Screw  
M4×6 1 piece (SUS, SW) for Ground Hole

UNIT: mm

\* Above Specifications are subject to change without notice.

## 6.2. Shipping Package



### Pictorial Marking for Handling of Goods



THIS WAY UP



HANDLE WITH CARE



KEEP DRY



FRAGILE



LAYERS LIMIT: 4

\* Above Specifications are subject to change without notice.

## 6.3. Enclosed Accessories

### 6.3.1. IF Connector DC Input Model

- O-ring, Qty (1), for waveguide flange
- Wrench Key, Qty (1), M4, Hexagon
- Bolts, Qty (4), M4 x 10, Hexagon socket head with spring washer and flat washer, SUS, for waveguide flange
- Screw, Qty (1), M4 x 6, Phillips head with spring washer and flat washer, SUS, for grounded hole

### 6.3.2. Circular Connector DC Input Model

- O-ring, Qty (1), for waveguide flange
- Wrench Key, Qty (1), M4, Hexagon
- Bolts, Qty (4), M4 x 10, Hexagon socket head with spring washer and flat washer, SUS, for waveguide flange
- Screw, Qty (1), M4 x 6, Phillips head with spring washer and flat washer, SUS, for grounded hole
- Circular Connector, Qty (1), Mating connector: PT06E-14-12S (470)

\* Above Specifications are subject to change without notice.

## 7. Option Parts

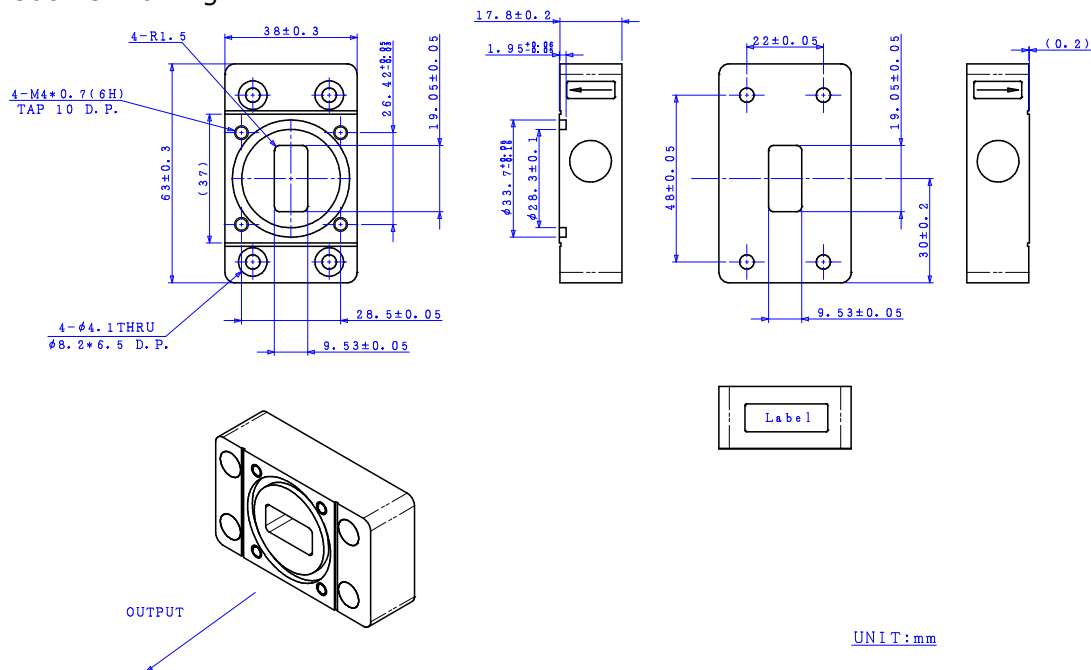
Items	PN	Details
WR-75 Isolator for output interface	NJZ1290W03	<a href="#">Section 7.1</a>
Indoor 150W AC/DC PSU, N-type interface	NJZ1286N	<a href="#">Link</a>
Indoor 150W AC/DC PSU, F-type interface	NJZ1286F	
Outdoor 250W AC/DC PSU	NJZ1289	<a href="#">Link</a>
AC Power Cable, 3 m length for connecting between NJZ1289 and AC outlet	NJZ1290A01	<a href="#">Link</a>
DC Power & M&C Signal Cable, 5 m length for connecting between this BUC and NJZ1289	NJZ1290A02	
Option Port Mating Connector, PT06E-12-8S(470)	NJZ1290C05	
Fan replacement kit	NJZ1290F09	---

### 7.1. WR-75 Isolator for output interface / PN: NJZ1290W03

This isolator is assembled to the BUC at the time of shipment.

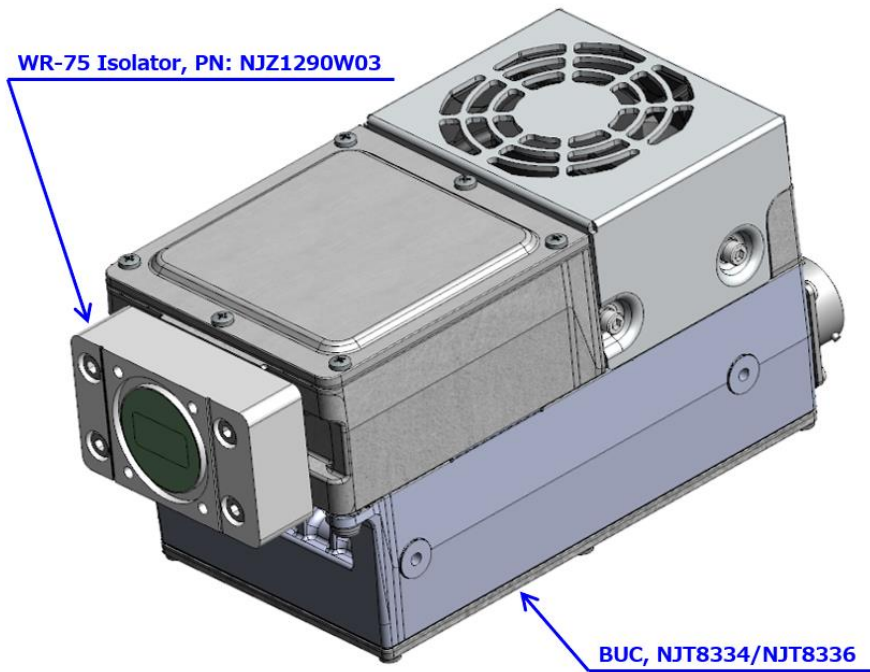
#	Items	Specifications
7.1.1.	Frequency Range	13.75 to 14.5 GHz
7.1.2.	Insertion Loss	0.1 dB typ., 0.3 dB max.
7.1.3.	Isolation	20 dB min.
7.1.4.	VSWR	1.12 : 1 typ., 1.15 : 1 max.
7.1.5.	Forward Power	40 W
7.1.6.	Reverse Power	10 W
7.1.7.	Weight	100 g
7.1.8.	Dimensions	63.0 (L) x 17.8 (W) x 38.0 (H) mm

#### 7.1.9. Outline Drawing



\* Above Specifications are subject to change without notice.

## 7.1.10. Outline drawing assembled to BUC



\* Above Specifications are subject to change without notice.

## 8. Handling Precautions

### 8.1. DANGER



This statement indicates an imminently hazardous situation which, if not avoided, will result in death or serious injury.

Items	Description
Input Voltage	Only input a DC voltage within the range indicated in specifications. <u>Do</u> operate with the input voltage range between +36 and +54 V DC power. When applying higher voltage than specifications (+24 / +48 VDC V as maximum voltage in DC power requirement), it will not only cause this BUC failure, but it may also result in <u>electric shock</u> and <u>fire</u> .
Disassembling	<u>Do not</u> disassemble the BUC. Disassembling will not only cause this BUC failure, but it may also result in <u>electric shock</u> .

### 8.2. WARNING



This statement indicates a potentially hazardous situation which, if not avoided, could result in death or serious injury.

Items	Description
RF Radiation	A radiation hazard exists if this BUC is operated with its RF signal output unterminated. <u>Do not</u> operate this BUC without a load or termination attached to the RF signal output.
Hot Surface	Whole of body and heat sink is hot when this BUC is powered, and even after power is disconnected until it is cooled down. <u>Do not</u> touch hot surface to avoid a burn hazard.

\* Above Specifications are subject to change without notice.

### 8.3. CAUTION



This statement indicates a potentially hazardous situation which, if not avoided, could result in minor or moderate injury. The statement may also be used to indicate other unsafe practices or risks of property damage.

Items	Description
Fan Rotation	<p><u>Do not</u> insert finger into the fan in every case and time to avoid injury also <u>do not</u> insert any objects into the fan.</p> <p>Keep any objects away from the fan. Incorrect usage may cause injury to self or others.</p>
Disposal	<p>This BUC contains gallium arsenide (GaAs), classified as a harmful substance. To avoid danger, <u>do not</u> incinerate, crush, or chemically treat the BUC in such a way that gases or dust are released.</p> <p>When disposing the BUC, comply with all applicable laws and regulations and <u>do not</u> treat it as general industrial waste or household waste.</p>

### 8.4. NOTE



This statement is used to notify of installation, operation, or maintenance information that is important, but not hazard-related.

Items	Description
Mounting	<p><u>Do not</u> block fins and fan of this BUC to keep the heat dissipation performance. Normally the BUC should be mounted with fan face down.</p>
Grounding	<p>To reduce the risk of damage or broken by lightning surge, the BUC should be grounded by connecting the ground wire.</p>
Torque Management	<p><u>Do not</u> tighten with excessive torque when attaching screws/bolts and connectors. The following value as tighten torque is recommended.</p> <ul style="list-style-type: none"> <li>■ Screws/Bolts - M4: 1.52 ± 0.152 N·m</li> <li>■ IF Connector (N-type / F-type): 0.68 to 1.13 N·m (3.92 N·m as maximum allowable torque. When over this torque, connector may be damaged.)</li> </ul>
Weatherproof	<p>The BUC mounted in outdoor should be conducted with adequately weatherproof procedure.</p> <p>Do seal all of cable connection points from the connector to the cable sheath by usage of self-amalgamating tape.</p> <p>Ensure the waveguide connection is properly assembled with the enclosed o-ring gasket as accessories. The o-ring gasket is full-type and it is assumed to connect the BUC to a flat waveguide flange.</p>

\* Above Specifications are subject to change without notice.

Items	Description
Input Voltage	<u>Do</u> operate with the input voltage range between +36 and +54 V DC power. Avoid applying more than the maximum voltage in this range (including ripple voltage) under any conditions.
Input IF Signal Power	<u>Do not</u> supply the input IF signal over the maximum level (+13 dBm), which is indicated on the product label.
Input 10MHz Signal Power	The 10 MHz reference signal should be supplied with the range between -5 and +5 dBm with sine-wave for correctly operation. <u>Do not</u> supply the signal level of more than +13 dBm, which is indicated on the product label.
High Temperature Operation	It may cause damage and/or degradation of reliability / lifetime to operate the BUC in a condition where the ambient temperature exceeds the maximum value, <u>+75 °C</u> , at operating temperature described in the specifications.
Vibration / Shock	When vibration and/or shock impact exceeding the conditions described in the specifications is applied, internal parts may be damaged.
Fan Maintenance	The fan has its lifetime. The fan is to be replaced with a new one at appropriate interval. The recommendation interval of replacement is five(5) years.
Warranty	The BUC is covered by a warranty for one(1) year following delivery unless otherwise stipulated in the contract or delivery conditions. Repairs may be possible under payment of charge even for the BUC whose warranty period has expired. Opening, removing, disassembling and modifying any parts and components (including the product label, sealing tape and screws) without fan equipment will immediately void the warranty. In any case, the BUC of invalid warranty cannot be repaired.

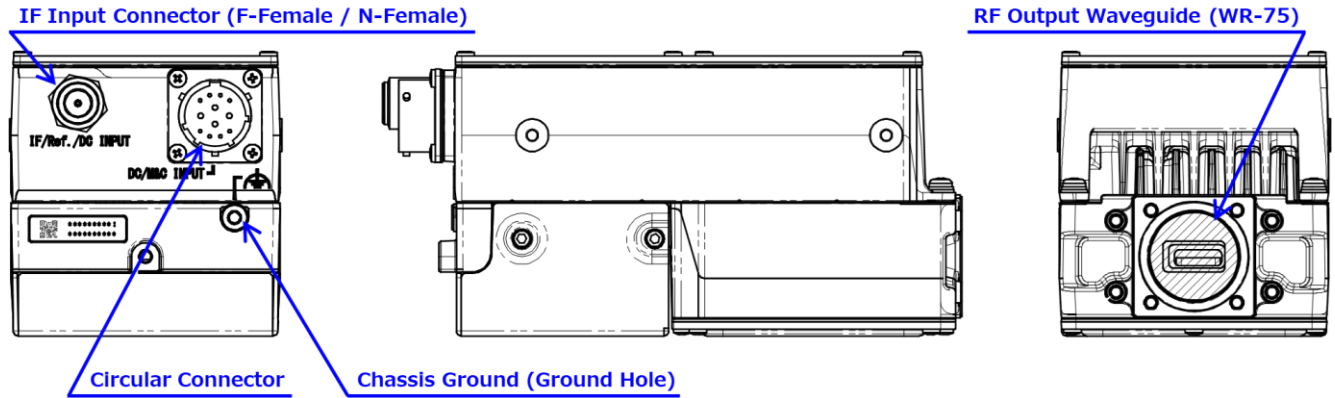
\* Above Specifications are subject to change without notice.



## 9. Instructions Manual

### 9.1. Descriptions

This section describes the information of connectors and etc.



Items	Description	Purpose
IF Input Connector (F-Female / N-Female)	F-type Female Coaxial Connector, 75 Ohms OR N-type Female Coaxial Connector, 50 Ohms	The BUC is required to input an IF signal of L-band (950 to 1,450 MHz, or 950 to 1,700 MHz), and a 10 MHz reference signal via this connector. And it requires to supply +36 to +54 V of DC power input. <sup>*Note5</sup>
RF Output Waveguide (WR-75)	Waveguide: WR-75 Flange: Square Cover Grooved (Equivalent to PBR 120)	The BUC transmits an RF signal of Ku-band (13.75 to 14.5 GHz, or 14 to 14.5 GHz) output with up to 8W (+39 dBm) linear operation via this waveguide.
Circular Connector	PT02E-14-12P (025)	It requires to supply +36 to +54 V of DC power input <sup>*Note1</sup> and to input M&C signal to meet depend on M&C option via this connector. Connector Pin Assignment: Refer to <a href="#">Chart 1</a> of Section 2. Mating connector, PT06E-14-12S (470) is enclosed as an accessory.
Chassis Ground (Ground Hole)	M4 Screw Hole	Common chassis ground / frame ground.

\*Note5: Circular Connector models are available to apply DC voltage via either Circular Connector or IF Connector.

**Caution: DO NOT apply DC voltage via both Circular Connector and IF Connector. If DC voltage is applied on both connectors, it may damage the BUC or the BUC may not operate properly.**

\* Above Specifications are subject to change without notice.

## 9.2. Connection and Installation

This section describes basic installation for the BUC.

### 9.2.1. Mounting Configuration

The BUC can be mounted with OMT or the waveguide filter of the satellite antenna.

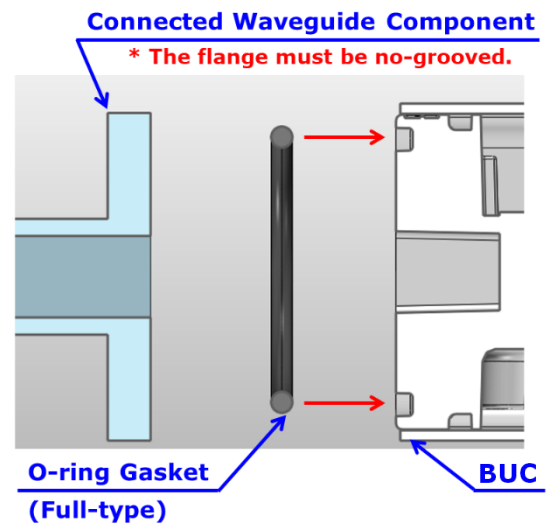
#### ! NOTE

- ✓ Do not block fins and fan of this BUC to keep the heat dissipation performance.  
Normally the BUC should be mounted with fan face down.

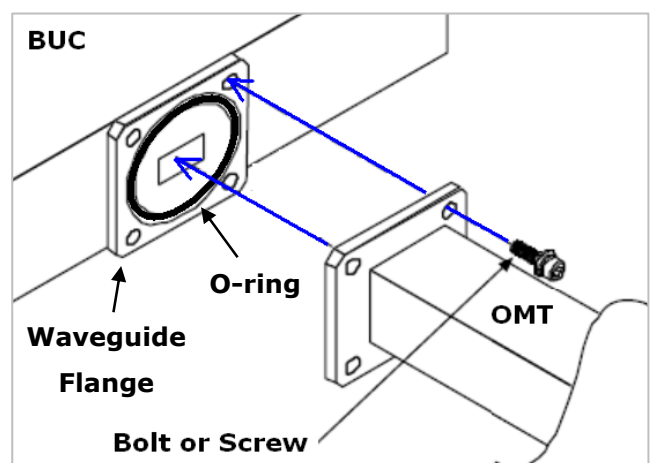
When mounting with the OMT or the waveguide filter, the following steps should be complied:

Step 1: Verify that the groove on the waveguide flange for a gasket is clean.

The enclosed o-ring gasket as accessories is full-type and it is assumed to connect the BUC to a flat waveguide flange (non-grooved waveguide flange). Insert the o-ring gasket the groove as shown in the figure on the right. The o-ring gasket and flange groove dimensions is customized and optimized for this BUC; therefore any other o-ring gasket than the enclosed accessory is not permitted for using.



Step 2: Secure the OMT or the filter to the BUC by tightening the enclosed Phillips head screws (M4 x 10 mm) with  $1.52 \pm 0.152$  N·m torque as shown in the figure right, when the thickness of the flange of the OMT or filter is assumed to be 3 to 5 mm. The enclosed washers as accessory must be inserted to bolts before tightening bolts.



\* Above Specifications are subject to change without notice.

When the thickness is exceed 5 mm, the appropriate length screws or bolts based should be prepared on the table right.

Flange Thickness of OMT/Filter	Screw Length
3 to 5 mm	10 mm
5 to 7 mm	12 mm
7 to 9 mm	14 mm
9 to 11 mm	16 mm

## ! NOTE

- ✓ The BUC must be adequately weatherproofed to place in outdoor.  
Ensure that the waveguide joint is properly sealed with the enclosed o-ring gasket.

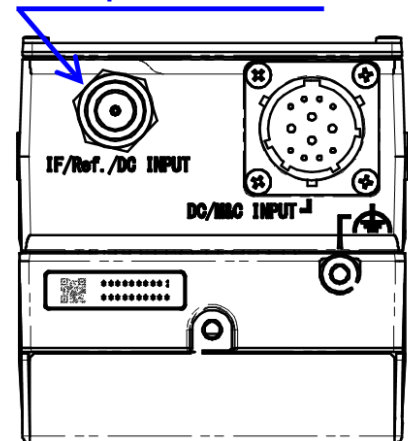
### 9.2.2. Connecting Coaxial Cable

The BUC is connected with the modem by a coaxial cable and requires to supply a 10 MHz reference signal from the modem. When +36 to +54 V DC power from the modem, it is supplied by here.

The connection of coaxial cable should be complied with the following steps:

- Step 1: Connect the coaxial cable with the N or F-type male connectors to the coaxial connector equipped with the BUC which is shown in the figure on the right below under 0.68 to 1.13 N·m tighten torque.
- Step 2: Use self-amalgamating tape to seal connector and cable entry points from the connector to the cable sheath.

### IF Input Connector



**Do not power on the modem before finishing all of steps of Connecting Coaxial Cable.**

## ! NOTE

- ✓ The BUC must be adequately weatherproofed to place in outdoor.  
Do seal all of cable connection points from the connector to the cable sheath by usage of self-amalgamating tape.

### 9.2.3. Connecting Ground Wire for Chassis Ground

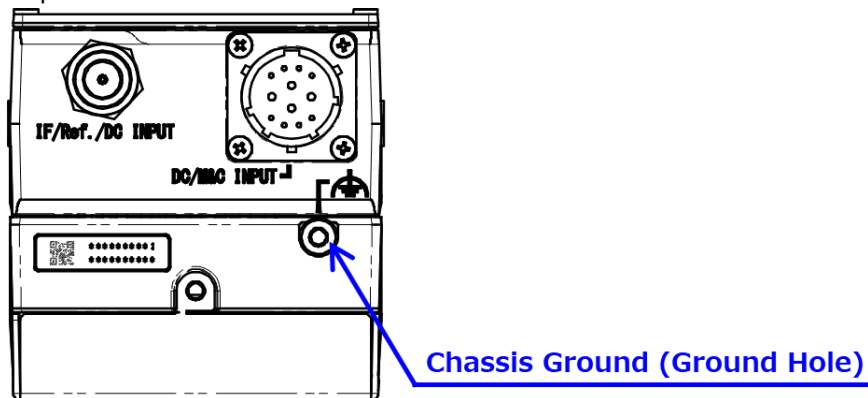
The BUC can be had the chassis ground of the other equipment (e.g. modem) in common.

Connecting wire for common chassis ground from the chassis ground of the other equipment should be complied with the following step:

Tools Required: #2 Phillips screwdriver

\* Above Specifications are subject to change without notice.

Step: Connect the ground wire from earth ground or chassis ground of other equipment to the chassis ground with M4 x 6 mm Philips pan head screw under  $1.52 \pm 0.152$  N·m tighten torque.



## ! NOTE

- ✓ To reduce the risk of damage or broken by lightning surge, the BUC should be grounded by connecting the ground wire.

### 9.2.4. Connecting Circular Connector Cable

The BUC is connected to the other equipment by a circular connector cable to supply +36 to +54 V DC power and to communicate M&C

Connect wires referring to the following pin/wire assignments. Refer to [Appendix A](#) for cable assembly.

Pin/Wire Assignment



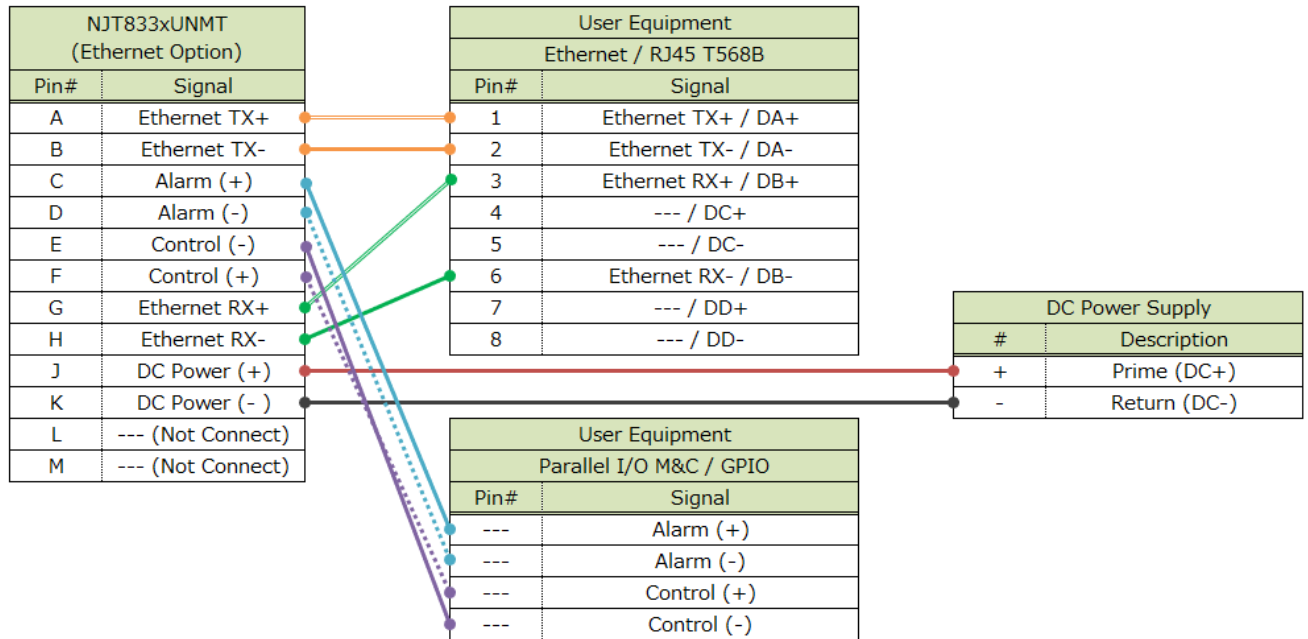
	Ethernet Option	RS-485 Option	RS-232C Option
Pin A:	Ethernet TX+	RS-485 RX+	GND COMMON (RS-232C)
Pin B:	Ethernet TX-	RS-485 RX-	N.C.
Pin C:	Alarm (+)	Alarm (+)	Alarm (+)
Pin D:	Alarm (-)	Alarm (-)	Alarm (-)
Pin E:	Control (-)	Control (-)	Control (-)
Pin F:	Control (+)	Control (+)	Control (+)
Pin G:	Ethernet RX+	RS-485 TX-	RS-232C TxD
Pin H:	Ethernet RX-	RS-485 TX+	RS-232C RxD
Pin J:	DC Power (+) / Prime	DC Power (+) / Prime	DC Power (+) / Prime
Pin K:	DC Power (-) / Return	DC Power (-) / Return	DC Power (-) / Return
Pin L:	N.C.	N.C.	N.C.
Pin M:	N.C.	N.C.	N.C.

**Do not power on the DC power supply before finishing to connect Circular Connector Cable.**

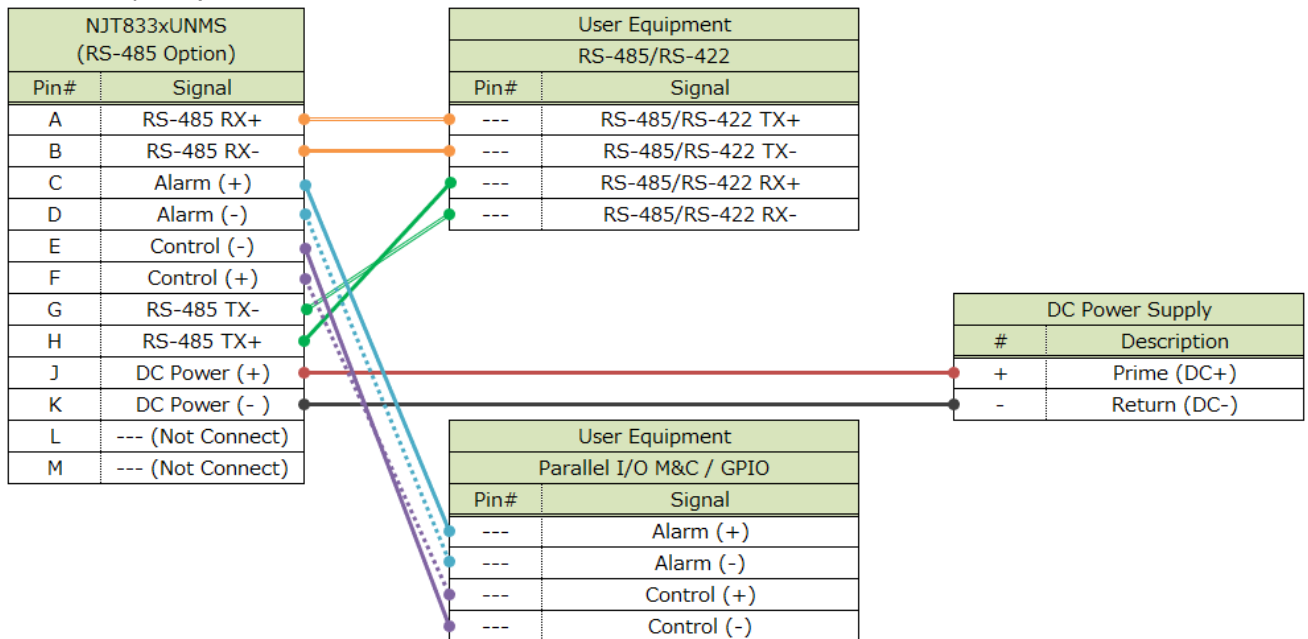
Refer to [Appendix B](#) for the detail of Monitor and Control.

\* Above Specifications are subject to change without notice.

## Ethernet Option)

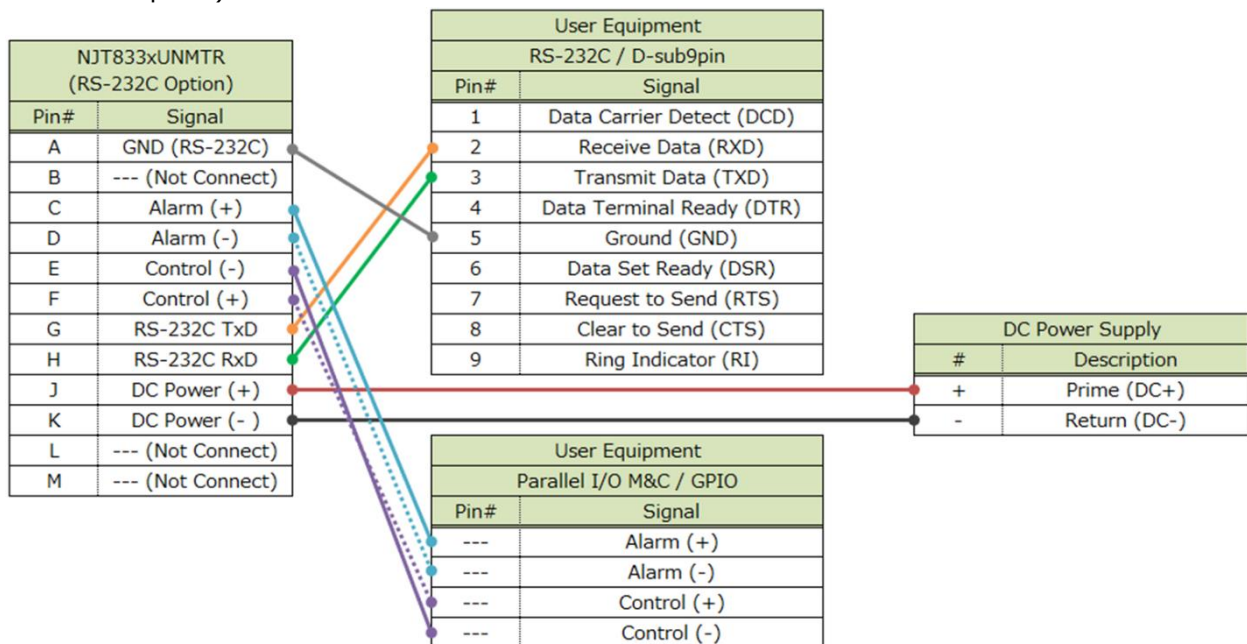


## RS-485 Option)



\* Above Specifications are subject to change without notice.

RS-232C Option)



### 9.2.5. Start-up

Start-up will be immediately performed with the following step:

Step: Power on the modem, supply the DC voltage from the modem via coaxial connector or from the other DC power supply via circular connector, and supply 10 MHz reference from modem.



## DANGER

- ✓ Only input a DC voltage within the range indicated in specifications.  
Do operate with the input voltage range between +36 and +54 V DC power.  
When applying higher voltage than specifications (+54 V as maximum voltage in DC power requirement), it will not only cause this BUC failure, but it may also result in electric shock and fire.



## NOTE

- ✓ The 10 MHz reference signal should be supplied with the range between -5 and +5 dBm with sine-wave for correctly operation.  
Do not supply the signal level of more than +13 dBm.
- ✓ Do not power on the modem before finishing all of steps of Connection and Installation.

\* Above Specifications are subject to change without notice.

## Appendix A)

### Cable Assembly of Mating Connector for PT Series Connector

#### Contents

1. Amphenol PT Series Connector

\* Above Specifications are subject to change without notice.

# Appendix A: Cable Assembly of Mating Connector

## 1. Amphenol PT Series Connector

Applicable Connector:

- PT06E-14-12S(470)

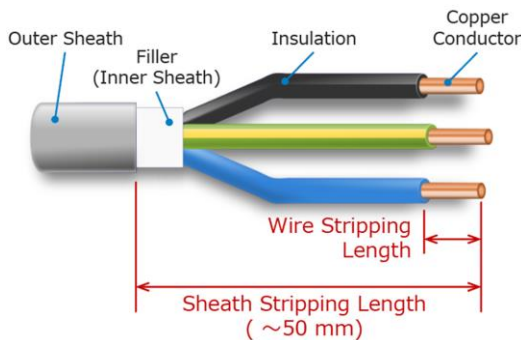
Assembly Procedure Steps:

Step 1: Prepare a signal cable with the wanted length. Use the cable with core wire conductor size and an outer diameter (O.D.) in below.

PT06E-14-12S(470)	
Layout / Pin Assignment (Mating face view of pin inserts)	
Contact Type:	
○ = #20	
● = #16	
Shell Size	Shell-14
Contact Number	8 contacts - #20 4 contacts - #16
Outer Diameter	14 mm max.
Contact Type	#20
Wire Size	AWG #20 to #22
Wire Stripping Length	3.7 to 4.2 mm

Table 1 Description of Connector / Cable / Wire

Step 2: Strip the outer sheath and filler with up to 50 mm and strip the wire insulations with Wire Stripping Length by wire-stripper in Table 1. Treat the stripped wires with Rosin-flux of within-expired-date and immediately pre-solder the stripped wires with Rosin core solder.



### ! NOTE

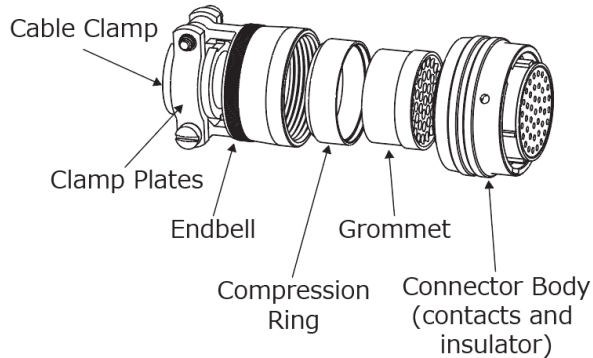
- ✓ Notice that any damage of the wire insulations when stripping the outer sheath and filler shall be avoided.

\* Above Specifications are subject to change without notice.




# Appendix A: Cable Assembly of Mating Connector

- Step 3: Disassembly a cable clamp, endbell, compression ring, and grommet from the connector body. Insert the cable clamp, endbell, and compression ring to the prepared signal cable in the order of the cable clamp, endbell, compression ring. Insert wires to the grommet under condition matched the pin assignment of contacts and wires.



- Step 4: Solder all of contacts and wires under condition with the pin assignment. It is recommended to arrange so that the contact cuts are upward for easy-soldering. Cleanse the flux at soldering points with ethyl-alcohol and etc.

 <b>NOTE</b>
<p>✓ Notice that insulator of the connector body shall be avoided to deform.</p>

- Step 5: Slide the grommet to the connector body until it hits the back of the insulator, and insert the compression ring to the step edge of the grommet. Tighten the endbell to the connector body with following torque met for shell size.

Shell Size	Tighten Torque	Connector P/N
<b>Shell-14</b>	4.6 to 5.1 N·m	PT06E-14-12S(470)

When a gap between the cable clamp and wires is 1 mm or more, wrap wires at the cable clamp point with a self-amalgamating tape so that the gap is 1 mm or less. Set the cable clamp at wires of the cable clamp point. And clamp the cable clamp with two clamp plates, which will be fixed with enclosed flat head screws to the endbell.

Wrap both the cable and connector with a self-amalgamating tape from outer sheath of cable to the middle of endbell like as shown in the range of arrows in following image.



\* Above Specifications are subject to change without notice.

## Appendix B)

### Specifications of Monitor & Control (M&C) for Ku-band GaN 8W/16W BUC

#### Contents

2. [Parallel I/O M&C](#)
3. [Serial\(RS-485 / RS232C\) M&C](#)
4. [Ethernet M&C](#)

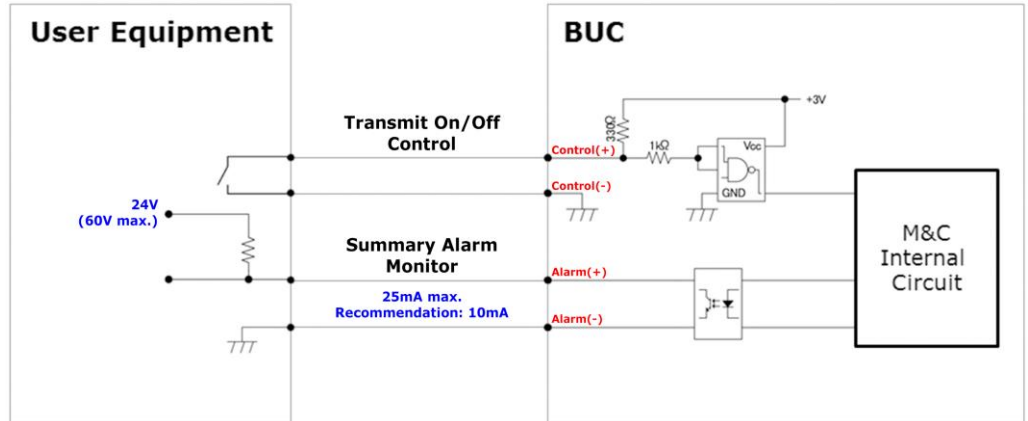
\* Above Specifications are subject to change without notice.

# Appendix B: Specifications of Monitor & Control

## 1. Parallel I/O M&C

1.1. M&C Items  
 Transmit On/Off Control  
 Summary Alarm Monitor

1.2. Structure  
 Dry Contact / 3V Pull-up with 330 ohms resister  
 Details are mentioned on the following diagram.



1.3. Status

Transmit On/Off Control;  
 Open – TX ON (Default)  
 Close – TX OFF (Default)

- Close/Open polarity can be changed by RS-485 and Ethernet M&C.
- Parallel I/O of Transmit On/Off Control can be set to Disable/Enable by RS-485 and Ethernet M&C.

Summary Alarm Monitor;  
 Normal – Close  
 Fault – Open

- This Alarm Monitor is Sum of “L.O. unlock”, “Over temperature”<sup>\*Note2</sup>, “Fan rotation alarm”, “Failure of internal power supply circuit” and “Out of voltage of DC power input”.

\* Above Specifications are subject to change without notice.

# Appendix B: Specifications of Monitor & Control

## 2. Serial(RS-485 / RS232C) M&C

### 2.1. Physical Interface

#### 2.1.1. RS-485(EIA-485)

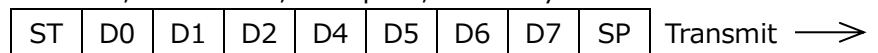
- (1) Structure
  - a. Duplex Full-duplex, two signal pairs (four wires)
- (2) Transmitter Outputs
  - a. Output Voltage Swing 0 V min. / +3.3 V max.
  - b. Output Resistance 10 MΩ typ.
- (3) Receiver Inputs
  - a. Input Voltage Range 0 V min. / +3.3 V max.
  - b. Input Threshold low +0.8 V max.
  - c. Input Threshold High +2 V min.
  - d. Input Resistance 96 kΩ min.

#### 2.1.2. RS-232C

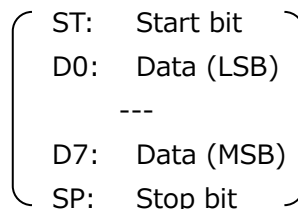
- (1) Structure
  - a. Duplex Full-duplex, one signal pair (two wires)
- (2) Transmitter Outputs
  - a. Output Voltage Swing ±5 V min. / ±5.4 V typ.
  - b. Output Resistance 300 Ω min. / 10 MΩ typ.
- (3) Receiver Inputs
  - a. Input Voltage Range ±15 V
  - b. Input Threshold low +0.6 V min.
  - c. Input Threshold High +2.4 V max.
  - d. Input Resistance 7 kΩ max.

### 2.2. Transmission Protocol

- a. Operation Mode Binary
- b. Transfer Rate 115200 bit/s for RS-485  
9600 bit/s for RS-232C
- c. Data Format 1 start bit, 8 data bits, 1 stop bit, No Parity



(The least significant bit (LSB) is sent first.)



- d. Maximum Response Time 50 ms
- e. Message Rate 1 every 20 ms

\* Above Specifications are subject to change without notice.

## Appendix B: Specifications of Monitor & Control

### 2.3. Packet Format

- a. Data Packet Length                      7 Bytes
- b. Byte Configuration

Byte	Command (IDU to BUC)	Response (BUC to IDU)
1 <sup>st</sup>	BUC Address <sup>*1</sup>	BUC Address <sup>*2</sup>
2 <sup>nd</sup>	Command	Data Byte 1
3 <sup>rd</sup>	Data Byte 1	Data Byte 2
4 <sup>th</sup>	Data Byte 2	Data Byte 3
5 <sup>th</sup>	Data Byte 3	Data Byte 4
6 <sup>th</sup>	Data Byte 4	Data Byte 5
7 <sup>th</sup>	Checksum <sup>*3</sup>	Checksum <sup>*3</sup>

\*1: Default setting of a BUC address is 0x01.

\*2: Response address is shifted left by 4 bits.

\*3: Algebraic sum of bytes 1 through 6.

Note: Spare bytes are always filled with 0xAA (10101010).

### 2.4. Command Message Structure (USER EQUIPMENT to BUC)

The BUC status is stored to internal EEPROM. The last BUC state is stored to internal EEPROM, so when the BUC is re-turned DC power on again, the state of configuration is restarted with last BUC condition.

#### 2.4.1. Command Message List (USER EQUIPMENT to BUC)

Command Items	2nd Byte Value	Response
<a href="#">Request Summary Status (Section 2.4.2.a)</a>	0x01	<a href="#">Section 2.5.a</a>
<a href="#">Request Alarm Status (Section 2.4.2.b)</a>	0x0C	<a href="#">Section 2.5.b</a>
<a href="#">Set Transmit On/Off Control (Section 2.4.2.c)</a>	0x02	<a href="#">Section 2.5.c</a>
<a href="#">Set BUC Address (Section 2.4.2.d)</a>	0x03	<a href="#">Section 2.5.d</a>
<a href="#">Get BUC Address (Section 2.4.2.e)</a>	0xFF	<a href="#">Section 2.5.e</a>
<a href="#">Set Step Attenuator Value (Section 2.4.2.f)</a>	0x05	<a href="#">Section 2.5.f</a>
<a href="#">Get Step Attenuator Value (Section 2.4.2.g)</a>	0x06	<a href="#">Section 2.5.g</a>
<a href="#">Get Fan Status (Section 2.4.2.h)</a>	0x08	<a href="#">Section 2.5.h</a>
<a href="#">Get Voltage Status (Section 2.4.2.i)</a>	0x09	<a href="#">Section 2.5.i</a>
<a href="#">Get Temperature Status (Section 2.4.2.j)</a>	0x0A	<a href="#">Section 2.5.j</a>
<a href="#">Get Output Power Monitor (Section 2.4.2.k)</a>	0x0B	<a href="#">Section 2.5.k</a>
<a href="#">Set Parallel I/O Configuration (Section 2.4.2.l)</a>	0x14	<a href="#">Section 2.5.l</a>
<a href="#">Get Parallel I/O Configuration (Section 2.4.2.m)</a>	0x13	<a href="#">Section 2.5.m</a>

\* Above Specifications are subject to change without notice.

## Appendix B: Specifications of Monitor & Control

### 2.4.2. Command Message Structure (USER EQUIPMENT to BUC)

- a. Request Summary Status (Command) / Response is in [Section 2.5.a](#) / [[Command List](#)]

This command can acquire output power monitor, alarm status, transmit On/Off control status, BUC class, and temperature etc.

Byte	Name	Description	Value
1 <sup>st</sup>	Address	BUC address (Default: 0x01)	0x01 to 0x0F
2 <sup>nd</sup>	Command	Request Summary Status	0x01
3 <sup>rd</sup>	Data Byte 1	Not used	0xAA (Fixed)
4 <sup>th</sup>	Data Byte 2	Not used	0xAA (Fixed)
5 <sup>th</sup>	Data Byte 3	Not used	0xAA (Fixed)
6 <sup>th</sup>	Data Byte 4	Not used	0xAA (Fixed)
7 <sup>th</sup>	Checksum	Algebraic sum of bytes 1 - 6	

e.g.) 

01	01	AA	AA	AA	AA	CHK
----	----	----	----	----	----	-----

- b. Request Alarm Status (Command) / Response is in [Section 2.5.b](#) / [[Command List](#)]

This command can check status of all alarm function.

Byte	Name	Description	Value
1 <sup>st</sup>	Address	BUC address (Default: 0x01)	0x01 to 0x0F
2 <sup>nd</sup>	Command	Request Alarm Status	0x0C
3 <sup>rd</sup>	Data Byte 1	Not used	0xAA (Fixed)
4 <sup>th</sup>	Data Byte 2	Not used	0xAA (Fixed)
5 <sup>th</sup>	Data Byte 3	Not used	0xAA (Fixed)
6 <sup>th</sup>	Data Byte 4	Not used	0xAA (Fixed)
7 <sup>th</sup>	Checksum	Algebraic sum of bytes 1 - 6	

e.g.) 

01	0C	AA	AA	AA	AA	CHK
----	----	----	----	----	----	-----

- c. Set Transmit On/Off Control (Command) / Response is in [Section 2.5.c](#) / [[Command List](#)]

This command can set a control of transmit on and transmit off.

Byte	Name	Description	Value
1 <sup>st</sup>	Address	BUC address (Default: 0x01)	0x01 to 0x0F
2 <sup>nd</sup>	Command	Set Transmit On/Off State	0x02
3 <sup>rd</sup>	Data Byte 1	Transmit On/Off	0x00: TX OFF 0x01: TX ON
4 <sup>th</sup>	Data Byte 2	Not used	0xAA (Fixed)
5 <sup>th</sup>	Data Byte 3	Not used	0xAA (Fixed)
6 <sup>th</sup>	Data Byte 4	Not used	0xAA (Fixed)
7 <sup>th</sup>	Checksum	Algebraic sum of bytes 1 - 6	

e.g.) 

01	02	01	AA	AA	AA	CHK
----	----	----	----	----	----	-----

\* Above Specifications are subject to change without notice.

## Appendix B: Specifications of Monitor & Control

- d. Set BUC Address (Command) / Response is in [Section 2.5.d](#) / [[Command List](#)]

This command can set the BUC address.

Byte	Name	Description	Value
1 <sup>st</sup>	Address	BUC address (Default: 0x01)	0x01 to 0x0F
2 <sup>nd</sup>	Command	Set BUC Address	0x03
3 <sup>rd</sup>	Data Byte 1	New address	0x01 to 0x0F
4 <sup>th</sup>	Data Byte 2	Not used	0xAA (Fixed)
5 <sup>th</sup>	Data Byte 3	Not used	0xAA (Fixed)
6 <sup>th</sup>	Data Byte 4	Not used	0xAA (Fixed)
7 <sup>th</sup>	Checksum	Algebraic sum of bytes 1 - 6	

e.g.) 

01	03	0F	AA	AA	AA	CHK
----	----	----	----	----	----	-----

- e. Get BUC Address (Command) / Response is in [Section 2.5.e](#) / [[Command List](#)]

This command can search the BUC address which the system is connecting BUC.

Byte	Name	Description	Value
1 <sup>st</sup>	Dummy Byte	Not used	0xAA (Fixed)
2 <sup>nd</sup>	Command	Get BUC Address	0xFF
3 <sup>rd</sup>	Data Byte 1	Not used	0xAA (Fixed)
4 <sup>th</sup>	Data Byte 2	Not used	0xAA (Fixed)
5 <sup>th</sup>	Data Byte 3	Not used	0xAA (Fixed)
6 <sup>th</sup>	Data Byte 4	Not used	0xAA (Fixed)
7 <sup>th</sup>	Checksum	Algebraic sum of bytes 1 - 6	

e.g.) 

AA	FF	FF	AA	AA	AA	CHK
----	----	----	----	----	----	-----

- f. Set Step Attenuator Value (Command) / Response is in [Section 2.5.f](#) / [[Command List](#)]

This command can set the step attenuator with 0.5 dB step.

Byte	Name	Description	Value
1 <sup>st</sup>	Address	BUC address (Default: 0x01)	0x01 to 0x0F
2 <sup>nd</sup>	Command	Set Step Attenuator Value	0x05
3 <sup>rd</sup>	Data Byte 1	Attenuator selection	0x01
4 <sup>th</sup>	Data Byte 2	Attenuator value in 10 dB digit	0x00 to 0x03 <sup>*1</sup>
5 <sup>th</sup>	Data Byte 3	Attenuator value in 1 dB digit	0x00 to 0x09 <sup>*1</sup>
6 <sup>th</sup>	Data Byte 4	Attenuator value in 0.1 dB digit	0x00 or 0x05 <sup>*1</sup>
7 <sup>th</sup>	Checksum	Algebraic sum of bytes 1 - 6	

e.g.) 

01	05	01	01	02	05	CHK
----	----	----	----	----	----	-----

\*1: Dynamic range and step size of the step attenuator: 31.5dB in 0.5dB step

ex) 12.5dB:      Data byte 2 is 0x01; Data byte 3 is 0x02; Data byte 4 is 0x05

\* Above Specifications are subject to change without notice.

## Appendix B: Specifications of Monitor & Control

- g. Get Step Attenuator Value (Command) / Response is in [Section 2.5.g](#) / [[Command List](#)]

This command can check the step attenuator setting value.

Byte	Name	Description	Value
1 <sup>st</sup>	Address	BUC address (Default: 0x01)	0x01 to 0x0F
2 <sup>nd</sup>	Command	Set Step Attenuator Value	0x06
3 <sup>rd</sup>	Data Byte 1	Attenuator selection	0x01
4 <sup>th</sup>	Data Byte 2	Not used	0xAA (Fixed)
5 <sup>th</sup>	Data Byte 3	Not used	0xAA (Fixed)
6 <sup>th</sup>	Data Byte 4	Not used	0xAA (Fixed)
7 <sup>th</sup>	Checksum	Algebraic sum of bytes 1 - 6	

e.g.) 

01	06	01	AA	AA	AA	CHK
----	----	----	----	----	----	-----

- h. Get Fan Status (Command) / Response is in [Section 2.5.h](#) / [[Command List](#)]

This command can acquire the status, alarm and operating time of the cooling fan.

Byte	Name	Description	Value
1 <sup>st</sup>	Address	BUC address (Default: 0x01)	0x01 to 0x0F
2 <sup>nd</sup>	Command	Get Fan Status	0x08
3 <sup>rd</sup>	Data Byte 1	Not used	0xAA (Fixed)
4 <sup>th</sup>	Data Byte 2	Not used	0xAA (Fixed)
5 <sup>th</sup>	Data Byte 3	Not used	0xAA (Fixed)
6 <sup>th</sup>	Data Byte 4	Not used	0xAA (Fixed)
7 <sup>th</sup>	Checksum	Algebraic sum of bytes 1 - 6	

e.g.) 

01	08	AA	AA	AA	AA	CHK
----	----	----	----	----	----	-----

- i. Get Voltage Status (Command) / Response is in [Section 2.5.i](#) / [[Command List](#)]

This command can check status and voltage value of internal voltage.

Byte	Name	Description	Value
1 <sup>st</sup>	Address	BUC address (Default: 0x01)	0x01 to 0x0F
2 <sup>nd</sup>	Command	Get Voltage Status	0x09
3 <sup>rd</sup>	Data Byte 1	Monitor point selection CH1 - DC power input	0x01: CH1
4 <sup>th</sup>	Data Byte 2	Not used	0xAA (Fixed)
5 <sup>th</sup>	Data Byte 3	Not used	0xAA (Fixed)
6 <sup>th</sup>	Data Byte 4	Not used	0xAA (Fixed)
7 <sup>th</sup>	Checksum	Algebraic sum of bytes 1 - 6	

e.g.) 

01	09	01	AA	AA	AA	CHK
----	----	----	----	----	----	-----

\* Above Specifications are subject to change without notice.



## Appendix B: Specifications of Monitor & Control

- j. Get Temperature Status (Command) / Response is in [Section 2.5.j](#) / [[Command List](#)]

This command can check temperature value of temperature sensor status.

Byte	Name	Description	Value
1 <sup>st</sup>	Address	BUC address (Default: 0x01)	0x01 to 0x0F
2 <sup>nd</sup>	Command	Get Temperature Status	0x0A
3 <sup>rd</sup>	Data Byte 1	Temperature sensor point selection TEMP1 – PS(Power supply) TEMP2 – HPA TEMP3 – M&C	0x01 to 0x03 01: TEMP1 02: TEMP2 03: TEMP3
4 <sup>th</sup>	Data Byte 2	Not used	0xAA (Fixed)
5 <sup>th</sup>	Data Byte 3	Not used	0xAA (Fixed)
6 <sup>th</sup>	Data Byte 4	Not used	0xAA (Fixed)
7 <sup>th</sup>	Checksum	Algebraic sum of bytes 1 – 6	

e.g.) 

01	0A	01	AA	AA	AA	CHK
----	----	----	----	----	----	-----

- k. Get Output Power Monitor (Command) / Response is in [Section 2.5.k](#) / [[Command List](#)]

This command can check power level of RF Output Power Monitor.

Byte	Name	Description	Value
1 <sup>st</sup>	Address	BUC address (Default: 0x01)	0x01 to 0x0F
2 <sup>nd</sup>	Command	Get Output Power Monitor	0x0B
3 <sup>rd</sup>	Data Byte 1	Monitor point selection	0x01
4 <sup>th</sup>	Data Byte 2	Not used	0xAA (Fixed)
5 <sup>th</sup>	Data Byte 3	Not used	0xAA (Fixed)
6 <sup>th</sup>	Data Byte 4	Not used	0xAA (Fixed)
7 <sup>th</sup>	Checksum	Algebraic sum of bytes 1 – 6	

e.g.) 

01	0B	00	AA	AA	AA	CHK
----	----	----	----	----	----	-----

\* Above Specifications are subject to change without notice.

## Appendix B: Specifications of Monitor & Control

- l. Set Parallel I/O Configuration (Command) / Response is in [Section 2.5.l](#) / [[Command List](#)]

This command can set the configuration of Transmit On/Off Control in Parallel I/O for each of disable/enable and Open/Close polarity.

Byte	Name	Description	Value
1 <sup>st</sup>	Address	BUC address (Default: 0x01)	0x01 to 0x0F
2 <sup>nd</sup>	Command	Set Parallel I/O Configuration	0x14
3 <sup>rd</sup>	Data Byte 1	Disable/Enable configuration of Transmit On/Off Control (Default: 0x01 - Enable)	0x00: Disable 0x01: Enable
4 <sup>th</sup>	Data Byte 2	Open/Close configuration for "TX ON" in Transmit On/Off Control (Default: 0x01 - Open)	0x00: Short 0x01: Open
5 <sup>th</sup>	Data Byte 3	Not used	0xAA (Fixed)
6 <sup>th</sup>	Data Byte 4	Not used	0xAA (Fixed)
7 <sup>th</sup>	Checksum	Algebraic sum of bytes 1 - 6	

e.g.) 

01	14	01	01	AA	AA	CHK
----	----	----	----	----	----	-----

- m. Get Parallel I/O Configuration (Command) / Response is in [Section 2.5.m](#) / [[Command List](#)]

This command can check the PS output terminals in the BUC.

Byte	Name	Description	Value
1 <sup>st</sup>	Address	BUC address (Default: 0x01)	0x01 to 0x0F
2 <sup>nd</sup>	Command	Get Parallel I/O Configuration	0x13
3 <sup>rd</sup>	Data Byte 1	Not used	0xAA (Fixed)
4 <sup>th</sup>	Data Byte 2	Not used	0xAA (Fixed)
5 <sup>th</sup>	Data Byte 3	Not used	0xAA (Fixed)
6 <sup>th</sup>	Data Byte 4	Not used	0xAA (Fixed)
7 <sup>th</sup>	Checksum	Algebraic sum of bytes 1 - 6	

e.g.) 

01	13	AA	AA	AA	AA	CHK
----	----	----	----	----	----	-----

\* Above Specifications are subject to change without notice.

# Appendix B: Specifications of Monitor & Control

## 2.5. Response Message Structure (BUC to USER EQUIPMENT)

### a. Request Summary Status (Response for command of [Section 2.4.2.a](#)) / [[Command List](#)]

Byte	Name	Description	Value
1 <sup>st</sup>	Address	BUC address shifted left by 4 bits	0x10 to 0xF0
2 <sup>nd</sup>	Power-1 *1	MS byte of output power monitor	0x00 to 0xFF
3 <sup>rd</sup>	Power-2 *1	LS byte of output power monitor	0x00 to 0xFF
4 <sup>th</sup>	Temperature *2	Maximum temperature of temperature monitors in deg. C	0x00 to 0xFF
5 <sup>th</sup>	Status *3	Bit 0: Summary temperature alarm	1: Alarm / 0: Normal
		Bit 1: L.O. PLL out-of-Lock	1: Unlock / 0: Lock
		Bit 2: Checksum error	1: Error / 0: Normal
		Bit 3: Transmit On/Off status	1: TX ON / 0: TX OFF
		Bits 4-7: BUC power class	0x4
6 <sup>th</sup>	Version *4	Bits 0-3: Minor software version	0x0 to 0xF
		Bits 4-7: Major software version	0x0 to 0xF
7 <sup>th</sup>	Checksum	Algebraic sum of bytes 1 - 6	

e.g.) 

10	0F	0A	40	48	12	CHK
----	----	----	----	----	----	-----

\*1: Data field definition for Output Power Monitor (Power-1 & Power-2)

Output power is the number which changed hexadecimal data into the decimal number and was divided by 100.

e.g.) Output Power Data

Output Power

Power-1(MS byte) is 0x0F	}	0x0F0A	→	3850	=	+38.50 dBm
Power-2(LS byte) is 0x0A						

\*2: Data field definition for Temperature

Temperature data is from -128 °C to +127 °C in two's complement (1 °C step).

e.g.) Byte of Temperature is 0xD8 → 11011000 = -40 °C  
 Byte of Temperature is 0xFF → 11111111 = -1 °C  
 Byte of Temperature is 0x40 → 01000000 = 64 °C

\*3: Data field definition for Status

e.g.) Status is 0x48 → 01001000

Bit 7	Bit 6	Bit 5	Bit 4	Bit 3	Bit 2	Bit 1	Bit 0
0	1	0	0	1	0	0	0
8W Refer to following table				TX ON	Normal	Lock	Normal

Table: BUC power class

Value	0x1	0x2	0x3	0x4	0x5	0x6	0x7	0x8	0x9	0xA
Power Class	2W	4W	5W	8W	10W	16W	20W	25W	40W	60W

\*4: Data field definition for Version

e.g.) Version is 0x12 → Software version 1.2

\* Above Specifications are subject to change without notice.

## Appendix B: Specifications of Monitor & Control

b. Request Alarm Status (Response for command of [Section 2.4.2.b](#)) / [[Command List](#)]

Byte	Name	Description	Value
1 <sup>st</sup>	Address	BUC address shifted left by 4	0x10 to 0xF0
2 <sup>nd</sup>	Data Byte 1	Summary alarm status *1	0x00 to 0xFF
3 <sup>rd</sup>	Data Byte 2	Voltage / Temperature alarm status *2	0x00 to 0xFF
4 <sup>th</sup>	Data Byte 3	Extension alarm status *3	0x01 to 0x07
5 <sup>th</sup>	Data Byte 4	Extension monitor status *4	0x00 to 0xFF
6 <sup>th</sup>	Data Byte 5	Not used	0xAA (Fixed)
7 <sup>th</sup>	Checksum	Algebraic sum of bytes 1 - 6	

e.g.) 

10	89	10	07	00	AA	CHK
----	----	----	----	----	----	-----

\*1: Data field definition for Summary alarm status

Bit	Description	Value
Bit 0	Summary temperature alarm	1: Alarm / 0: Normal
Bit 1	L.O. PLL out-of-Lock	1: Unlock / 0: Lock
Bit 2	Out of voltage of DC power input	1: Alarm / 0: Normal
Bit 3	Not used	0: Fixed
Bit 4	Fan rotation alarm	1: Alarm / 0: Normal
Bit 5	Fan lifetime alarm	1: Over / 0: Healthy
Bit 6	Over power for HPA input	1: Alarm / 0: Normal
Bit 7	Summary alarm	1: Alarm / 0: Normal

e.g.) Data Byte 1 is 0x89 → 10001001

Bit 7	Bit 6	Bit 5	Bit 4	Bit 3	Bit 2	Bit 1	Bit 0
1	0	0	0	1	0	0	1
Alarm	Normal	Healthy	Normal	Alarm	---	Lock	Alarm

\*2: Data field definition for Voltage / Temperature alarm status

Bit	Description	Value
Bit 0	High voltage alarm of CH1 – DC power input	1: Alarm / 0: Normal
Bit 1-3	Not used	0: Fixed
Bit 4	Over temperature of TEMP1 – PS(Power supply)	1: Alarm / 0: Normal
Bit 5	Over temperature of TEMP2 – HPA	1: Alarm / 0: Normal
Bit 6	Over temperature of TEMP3 – M&C	1: Alarm / 0: Normal
Bit 7	Not used	0: Fixed

e.g.) Data Byte 2 is 0x10 → 00010000

Bit 7	Bit 6	Bit 5	Bit 4	Bit 3	Bit 2	Bit 1	Bit 0
0	0	0	1	0	0	0	0
---	Normal	Normal	Alarm	---	---	---	Normal

\* Above Specifications are subject to change without notice.

## Appendix B: Specifications of Monitor & Control

\*3: Data field definition for Extension alarm status

Bit 0	Not used	1: Fixed
Bit 1	Summary current alarm	1: Alarm / 0: Normal
Bit 2	Voltage alarm for internal negative voltage	1: Alarm / 0: Normal
Bit 3-7	Not used	0: Fixed

e.g.) Data Byte 3 is 0x07 → 00000111

Bit 7	Bit 6	Bit 5	Bit 4	Bit 3	Bit 2	Bit 1	Bit 0
0	0	0	0	0	1	1	1
---	---	---	---	---	Alarm	Alarm	---

\*4: Data field definition for Extension monitor status

Bit 0	Low voltage alarm of CH1 - DC power input	1: Alarm / 0: Normal
Bit 1-3	Not used	0: Fixed
Bit 4	Over current alarm of HPA	1: Alarm / 0: Normal
Bit 5-7	Not used	0: Fixed

e.g.) Data Byte 4 is 0x10 → 00010000

Bit 7	Bit 6	Bit 5	Bit 4	Bit 3	Bit 2	Bit 1	Bit 0
0	0	0	1	0	0	0	0
---	---	---	Alarm	---	---	---	Normal

c. Set Transmit On/Off Control (Response for command of [Section 2.4.2.c](#)) / [[Command List](#)]

Byte	Name	Description	Value
1 <sup>st</sup>	Address	BUC address shifted left by 4	0x10 to 0xF0
2 <sup>nd</sup>	Data Byte 1	Transmit On/Off	0x00: TX OFF 0x01: TX ON
3 <sup>rd</sup>	Data Byte 2	Not used	0xAA (Fixed)
4 <sup>th</sup>	Data Byte 3	Not used	0xAA (Fixed)
5 <sup>th</sup>	Data Byte 4	Not used	0xAA (Fixed)
6 <sup>th</sup>	Data Byte 5	Not used	0xAA (Fixed)
7 <sup>th</sup>	Checksum	Algebraic sum of bytes 1 - 6	

e.g.) 

10	01	AA	AA	AA	AA	CHK
----	----	----	----	----	----	-----

\* Above Specifications are subject to change without notice.

## Appendix B: Specifications of Monitor & Control

- d. Set BUC Address (Response for command of [Section 2.4.2.d](#)) / [[Command List](#)]

Byte	Name	Description	Value
1 <sup>st</sup>	Address	BUC address shifted left by 4	0x10 to 0xF0
2 <sup>nd</sup>	Data Byte 1	New address	0x01 to 0x0F
3 <sup>rd</sup>	Data Byte 2	Not used	0xAA (Fixed)
4 <sup>th</sup>	Data Byte 3	Not used	0xAA (Fixed)
5 <sup>th</sup>	Data Byte 4	Not used	0xAA (Fixed)
6 <sup>th</sup>	Data Byte 5	Not used	0xAA (Fixed)
7 <sup>th</sup>	Checksum	Algebraic sum of bytes 1 - 6	

e.g.) 

10	0F	AA	AA	AA	AA	CHK
----	----	----	----	----	----	-----

- e. Get BUC Address (Response for command of [Section 2.4.2.e](#)) / [[Command List](#)]

Byte	Name	Description	Value
1 <sup>st</sup>	Dummy Byte	Not used	0xAA (Fixed)
2 <sup>nd</sup>	Data Byte 1	BUC address	0x01 to 0x0F
3 <sup>rd</sup>	Data Byte 2	Not used	0xAA (Fixed)
4 <sup>th</sup>	Data Byte 3	Not used	0xAA (Fixed)
5 <sup>th</sup>	Data Byte 4	Not used	0xAA (Fixed)
6 <sup>th</sup>	Data Byte 5	Not used	0xAA (Fixed)
7 <sup>th</sup>	Checksum	Algebraic sum of bytes 1 - 6	

e.g.) 

AA	01	AA	AA	AA	AA	CHK
----	----	----	----	----	----	-----

- f. Set Step Attenuator Value (Response for command of [Section 2.4.2.f](#)) / [[Command List](#)]

Byte	Name	Description	Value
1 <sup>st</sup>	Address	BUC address shifted left by 4	0x10 to 0xF0
2 <sup>nd</sup>	Data Byte 1	Attenuator selection	0x01
3 <sup>rd</sup>	Data Byte 2	Set Att. bit in 10 dB digit	0x00 to 0x01
4 <sup>th</sup>	Data Byte 3	Set Att. bit in 1 dB digit	0x00 to 0x09
5 <sup>th</sup>	Data Byte 4	Set Att. bit in 0.5 dB digit	0x00 to 0x05
6 <sup>th</sup>	Data Byte 5	Not used	0xAA (Fixed)
7 <sup>th</sup>	Checksum	Algebraic sum of bytes 1 - 6	

e.g.) 

10	01	01	02	05	AA	CHK
----	----	----	----	----	----	-----

\* Above Specifications are subject to change without notice.

## Appendix B: Specifications of Monitor & Control

- g. Get Step Attenuator Value (Response for command of [Section 2.4.2.g](#)) / [[Command List](#)]

Byte	Name	Description	Value
1 <sup>st</sup>	Address	BUC address shifted left by 4	0x10 to 0xF0
2 <sup>nd</sup>	Data Byte 1	Attenuator selection	0x01
3 <sup>rd</sup>	Data Byte 2	Set Att. bit in 10 dB digit	0x00 to 0x01
4 <sup>th</sup>	Data Byte 3	Set Att. bit in 1 dB digit	0x00 to 0x09
5 <sup>th</sup>	Data Byte 4	Set Att. bit in 0.5 dB digit	0x00 to 0x05
6 <sup>th</sup>	Data Byte 5	Not used	0xAA (Fixed)
7 <sup>th</sup>	Checksum	Algebraic sum of bytes 1 - 6	

e.g.) 

10	01	01	02	05	AA	CHK
----	----	----	----	----	----	-----

- h. Get Fan Status (Response for command of [Section 2.4.2.h](#)) / [[Command List](#)]

Byte	Name	Description	Value
1 <sup>st</sup>	Address	BUC address shifted left by 4	0x10 to 0xF0
2 <sup>nd</sup>	Data Byte 1	Fan status & alarm *1	0x00 to 0x1F
3 <sup>rd</sup>	Data Byte 2	Fan operating time data 1 *2	0x00 to 0xFF
4 <sup>th</sup>	Data Byte 3	Fan operating time data 2 *2	0x00 to 0xFF
5 <sup>th</sup>	Data Byte 4	Fan operating time data 3 *2	0x00 to 0xFF
6 <sup>th</sup>	Data Byte 5	Fan Duty	0x00 to 0x64
7 <sup>th</sup>	Checksum	Algebraic sum of bytes 1 - 6	

e.g.) 

10	12	21	FF	1F	AA	CHK
----	----	----	----	----	----	-----

\*1: Data field definition for Fan status & alarm

Bit 0	Fan rotation alarm	1: Alarm / 0: Normal
Bit 1	Fan lifetime alarm	1: Over / 0: Healthy
Bit 2-3	Not used	1: Fixed
Bit 4	Fan status	1: Move / 0: Stop
Bit 5-7	Not used	0: Fixed

e.g.) Data Byte 1 is 0x12 → 00011110

Bit 7	Bit 6	Bit 5	Bit 4	Bit 3	Bit 2	Bit 1	Bit 0
0	0	0	1	1	1	1	0
---	---	---	Move	---	---	Over	Normal

\*2: Data field definition for Fan operating time

The operating of a cooling fan is counted per minute.

Maximum time data is 0xFFFFF. (31.92years)

e.g.) Fan operating time

Data Byte 2 is 0x21	}	0x21FF1F	→	2227999	=	2,227,999 min
Data Byte 3 is 0xFF						
Data Byte 4 is 0x1F						
		(hexadecimal)		(decimal)		→ 4.2 years

\* Above Specifications are subject to change without notice.

## Appendix B: Specifications of Monitor & Control

- i. Get Voltage Status (Response for command of [Section 2.4.2.i](#)) / [[Command List](#)]

Byte	Name	Description	Value
1 <sup>st</sup>	Address	BUC address shifted left by 4	0x10 to 0xF0
2 <sup>nd</sup>	Data Byte 1	Monitor point selection CH1 – DC power input	0x01: CH1
3 <sup>rd</sup>	Data Byte 2	Voltage alarm *1	0x00 to 0x02 *1
4 <sup>th</sup>	Data Byte 3	Voltage data 1 *2	0x00 to 0xFF *2
5 <sup>th</sup>	Data Byte 4	Voltage data 2 *2	0x00 to 0xFF *2
6 <sup>th</sup>	Data Byte 5	Not used	0xAA (Fixed)
7 <sup>th</sup>	Checksum	Algebraic sum of bytes 1 - 6	

e.g.) 

10	01	00	02	8A	AA	CHK
----	----	----	----	----	----	-----

\*1: Data field definition for Voltage alarm

0x00: Normal; 0x01: Under voltage alarm; 0x02: Over voltage alarm

\*2: Data field definition for Voltage data

The internal voltage is the number which changed hexadecimal data into the decimal number and was divided by 100.

e.g.) Internal Voltage

Data Byte 3 is 0x02	}	0x028A	→	650	=	6.5 V
Data Byte 4 is 0x8A	}	(hexadecimal)		(decimal)		

- j. Get Temperature Status (Response for command of [Section 2.4.2.j](#)) / [[Command List](#)]

Byte	Name	Description	Value
1 <sup>st</sup>	Address	BUC address shifted left by 4	0x10 to 0xF0
2 <sup>nd</sup>	Data Byte 1	Temperature sensor point selection	01: TEMP1 - PS 02: TEMP2 -HPA 03: TEMP3 – M&C
3 <sup>rd</sup>	Data Byte 2	Temperature alarm	0x00: Normal 0x01: Fail
4 <sup>th</sup>	Data Byte 3	Temperature in deg. C *1	0x00 to 0xFF
5 <sup>th</sup>	Data Byte 4	Not used	0xAA (Fixed)
6 <sup>th</sup>	Data Byte 5	Not used	0xAA (Fixed)
7 <sup>th</sup>	Checksum	Algebraic sum of bytes 1 - 6	

e.g.) 

10	01	00	40	AA	AA	CHK
----	----	----	----	----	----	-----

\*1: Data field definition for Temperature

Temperature data is from -128°C to +127°C in two's complement (1°C step).

e.g.) Temperature Data

Data Byte 3 is 0xD8 → 11011000 = -40 °C

Data Byte 3 is 0xFF → 11111111 = -1 °C

Data Byte 3 is 0x40 → 01000000 = 64 °C

\* Above Specifications are subject to change without notice.



## Appendix B: Specifications of Monitor & Control

- k. Get Output Power Monitor (Response for command of [Section 2.4.2.k](#)) / [[Command List](#)]

Byte	Name	Description	Value
1 <sup>st</sup>	Address	BUC address shifted left by 4	0x10 to 0xF0
2 <sup>nd</sup>	Data Byte 1	Monitor point selection	0x01
3 <sup>rd</sup>	Data Byte 2	Status *1	0x00 to 0x03
4 <sup>th</sup>	Data Byte 3	MS byte of output power monitor *2	0x00 to 0xFF
5 <sup>th</sup>	Data Byte 4	LS byte of output power monitor *2	0x00 to 0xFF
6 <sup>th</sup>	Data Byte 5	Not used	0xAA (Fixed)
7 <sup>th</sup>	Checksum	Algebraic sum of bytes 1 - 6	

e.g.) 

10	00	00	11	C6	AA	CHK
----	----	----	----	----	----	-----

- \*1: Data field definition for Status

Bit 0	Not used	0: Fixed
Bit 1	Over power for HPA input	1: Alarm / 0: Normal
Bit 2-7	Not used	0: Fixed

e.g.) Data Byte 2 is 0x02 → 00000010

Bit 7	Bit 6	Bit 5	Bit 4	Bit 3	Bit 2	Bit 1	Bit 0
0	0	0	0	0	0	1	0
---	---	---	---	---	---	Alarm	---

- \*2: Data field definition for Output Power Monitor (Data Byte 3 & Data Byte 4)

Output power is the number which changed hexadecimal data into the decimal number and was divided by 100.

e.g.) Output Power Data Output Power  

Data Byte 3 is 0x0F	}	0x0F0A	→	3850	=	+38.50 dBm
Data Byte 4 is 0x0A		(hexadecimal)		(decimal)		

- l. Set Parallel I/O Configuration (Response for command of [Section 2.4.2.l](#)) / [[Command List](#)]

Byte	Name	Description	Value
1 <sup>st</sup>	Address	BUC address shifted left by 4	0x10 to 0xF0
2 <sup>nd</sup>	Data Byte 1	Disable/Enable configuration of Transmit On/Off Control	0x00: Disable 0x01: Enable
3 <sup>rd</sup>	Data Byte 2	Open/Close configuration for "TX ON" in Transmit On/Off Control	0x00: Short 0x01: Open
4 <sup>th</sup>	Data Byte 3	Not used	0xAA (Fixed)
5 <sup>th</sup>	Data Byte 4	Not used	0xAA (Fixed)
6 <sup>th</sup>	Data Byte 5	Not used	0xAA (Fixed)
7 <sup>th</sup>	Checksum	Algebraic sum of bytes 1 - 6	

e.g.) 

01	00	00	AA	AA	AA	CHK
----	----	----	----	----	----	-----

\* Above Specifications are subject to change without notice.

## Appendix B: Specifications of Monitor & Control

m. Get Parallel I/O Configuration (Response for command of [Section 2.4.2.m](#)) / [[Command List](#)]

Byte	Name	Description	Value
1 <sup>st</sup>	Address	BUC address shifted left by 4	0x10 to 0xF0
2 <sup>nd</sup>	Data Byte 1	Disable/Enable configuration of Transmit On/Off Control	0x00: Disable 0x01: Enable
3 <sup>rd</sup>	Data Byte 2	Open/Close configuration for "TX ON" in Transmit On/Off Control	0x00: Short 0x01: Open
4 <sup>th</sup>	Data Byte 3	Not used	0xAA (Fixed)
5 <sup>th</sup>	Data Byte 4	Not used	0xAA (Fixed)
6 <sup>th</sup>	Data Byte 5	Not used	0xAA (Fixed)
7 <sup>th</sup>	Checksum	Algebraic sum of bytes 1 - 6	

e.g.) 

01	00	00	AA	AA	AA	CHK
----	----	----	----	----	----	-----

\* Above Specifications are subject to change without notice.

# Appendix B: Specifications of Monitor & Control

## 3. Ethernet M&C

- 3.1. Standard 10BASE-T/100BASE-TX
- 3.2. IP Address Static IP (Default, DHCP off) \*Note1  
IP address: 192.168.0.127 (Default) \*Note1  
Subnet mask default:255.255.255.0

\*Note1: Refer to [Section 3.6](#) to change the Static IP address or enable Dynamic allocation.

- 3.3. Protocol HTTP on TCP - Port No: 80  
SNMP-v2c on UDP - Port No: 161/162  
\* BUC works as a SNMP Agent

- 3.4. HTTP / Web Browser M&C  
URL - http://<IP Address>/user/index.html  
IP Address Default: 192.168.0.127

The BUC can be monitored and controlled via the Web Browser. Users can check various statuses and alarms and set the control configuration.

The screenshot displays the web interface for the Nisshinbo Micro Devices Inc. Monitor & Control system. The browser address bar shows '192.168.0.127/user/index.html'. The page header includes the Nisshinbo logo and navigation tabs for 'Monitor & Control' and 'SNMP Configuration'. A decorative banner features the model number 'NJT8334 & NJT8336'. The main content area is titled 'Monitor & Control' and is divided into several sections:

- Product Information:** A table with columns 'Items' and 'Parameters'. The 'BUC Address' row has a 'Set Address' dropdown menu and a 'Set' button. A 'Request' button is also present.
- BUC Status:** This section is divided into three sub-sections:
  - Monitor:** A table with columns 'Items' and 'Parameters' listing TX Status, Output Power, Step Attenuator, TX Band, FAN Operation Time, Temperature(MAX), and PS Voltage.
  - Alarm:** A table with columns 'Items' and 'Parameters' listing PLL Lock, Negative PS, FAN Status, FAN Life, Total Temperature, PS Voltage, and PA Current.
  - Temperature Map:** A table with columns 'Items', 'Parameters', and 'Thermal Shutdown' listing Temperature1(PS Circuit), Temperature2(PA Circuit), and Temperature3(M&C Circuit).
- BUC Control:** A section for controlling the BUC, currently empty in the screenshot.

The footer of the page includes a 'Privacy' link and the copyright notice: 'Copyright © Nisshinbo Micro Devices Inc. All Rights Reserved.'

\* Above Specifications are subject to change without notice.

# Appendix B: Specifications of Monitor & Control

## 3.5. SNMP Configuration

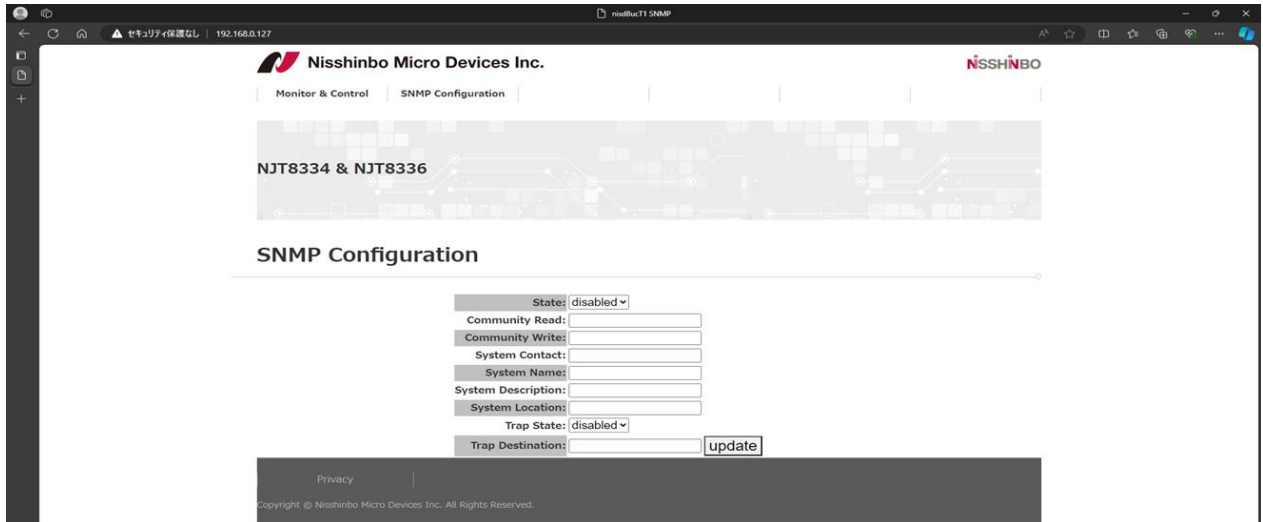
URL - http://<IP Address>

IP Address Default:192.168.0.127

USERNAME: admin

PASSWORD: NISD\_BUC\_PW

Users can view current SNMP configuration and change the settings.



### 3.5.1. Enable SNMP function

The SNMP function will be enabled by setting the State to "enabled" and clicking the [update] button. Additionally, it is mandatory to set the community (Community Read and Community Write) and Trap.

The standard usage is to set Community Read to "public" and Community Write to "private".

To enable trap transmission for FaultStatus and PAsStatus, set Trap State to "enabled." At this time, it is necessary to set the trap destination address.

To change the SNMP function, the [UPDATE] button need to be clicked. This will update all settings at once.

State:	enabled ▾
Community Read:	.....
Community Write:	.....
System Contact:	
System Name:	nisdBucT1(26897)
System Description:	NISD Ku BUC
System Location:	
Trap State:	enabled ▾
Trap Destination:	192.168.0.1
	<input type="button" value="update"/>

\* Above Specifications are subject to change without notice.

# Appendix B: Specifications of Monitor & Control

## 3.5.2. SNMP Definition

```
----- Definition -----
NISDBUCT1-MIB DEFINITIONS ::= BEGIN
IMPORTS
    MODULE-IDENTITY, OBJECT-TYPE, enterprises, Counter32, Gauge32,
    NOTIFICATION-TYPE
        FROM SNMPv2-SMI
;
ltx          OBJECT IDENTIFIER ::= { enterprises 244 }
products    OBJECT IDENTIFIER ::= { ltx 1 }
evo         OBJECT IDENTIFIER ::= { products 13 }
nisdBucT1 MODULE-IDENTITY
    LAST-UPDATED "2024008260000Z"
    ORGANIZATION "Nissinbo Micro Devices Inc."
    CONTACT-INFO "https://www.nisshinbo-microdevices.co.jp/"
    DESCRIPTION "First draft for nisdBucT1"
    ::= { evo 26897 } -- 6911h
--
=-- Notifications
--
nbt1Notifications          OBJECT IDENTIFIER ::= { nisdBucT1 1 }
nbt1FaultStatus OBJECT-TYPE
    SYNTAX INTEGER {normal (0), failed (1)}
    MAX-ACCESS read-only
    STATUS current
    DESCRIPTION
        "Overall fault status excluding the status related to the fan.
         0 - normal, 1 - failed."
    ::= { nbt1Notifications 1 }
nbt1PAstatus OBJECT-TYPE
    SYNTAX          INTEGER {mute (0), unmute (1)}
    MAX-ACCESS      read-only
    STATUS          current
    DESCRIPTION
        "Output status of the power amplifier.
         0 - mute, 1 - unmute."
    ::= { nbt1Notifications 2 }
--
=-- Configurations
--
```

\* Above Specifications are subject to change without notice.

## Appendix B: Specifications of Monitor & Control

nbt1Configurations OBJECT IDENTIFIER ::= { nisdBucT1 2 }

nbt1BucAddress OBJECT-TYPE

SYNTAX INTEGER (0..15)

MAX-ACCESS read-write

STATUS current

DESCRIPTION

"Inner device ID. The range from 0 to 15 can be set.

Default value: 1."

::= { nbt1Configurations 1 }

nbt1PAControl OBJECT-TYPE

SYNTAX INTEGER {Off (0), On (1)}

MAX-ACCESS read-write

STATUS current

DESCRIPTION

"Set the state of the power amplifier.

0 - Off, 1 - On.

The power amplifier can output when both this value and the discrete signal (external unmute) are enabled.

The fault status related to the power amplifier can be cleared by setting it to be enabled again, after the cause of the problem is solved.

Returns 65535 until the first write."

::= { nbt1Configurations 2 }

nbt1ATTControl OBJECT-TYPE

SYNTAX INTEGER (0..315)

UNITS "x 0.1 dB"

MAX-ACCESS read-write

STATUS current

DESCRIPTION

"Set the attenuation level of the attenuator. The range from 0 to 315 (in tenths of a dB, 0.5dB steps) can be set."

::= { nbt1Configurations 3 }

SYNTAX INTEGER {disabled (0), enabled (1)}

MAX-ACCESS read-write

STATUS current

DESCRIPTION

"Set the state of the external GPIO control.

0 - disabled, 1 - enabled.

If this value is disabled, the power amplifier can output only when the PA control is enabled.

Otherwise, the power amplifier can output when both the PA control and the discrete signal (external unmute) are enabled."

\* Above Specifications are subject to change without notice.

## Appendix B: Specifications of Monitor & Control

```
 ::= { nbt1Configurations 4 }
nbt1ExtUnmuteState OBJECT-TYPE
    SYNTAX          INTEGER {short (0), open (1)}
    MAX-ACCESS      read-write
    STATUS           current
    DESCRIPTION
        "Set the ON level of the discrete signal (external unmute).
         0 - short, 1 - open.
         This value works only when the control (ExtMuteControl) is enabled."
 ::= { nbt1Configurations 5 }
nbt1BANDSelection OBJECT-TYPE
    SYNTAX INTEGER { universal(0), standard(1) }
    MAX-ACCESS read-only
    STATUS current
    DESCRIPTION
        "the BUC band filter.
         0 - universal (wideband), 1 - standard."
 ::= { nbt1Configurations 6 }
--
=-- Informations
--
nbt1Informations          OBJECT IDENTIFIER ::= { nisdBucT1 3 }
nbt1ProductInfo OBJECT-TYPE
    SYNTAX          INTEGER { Ku-0W (0),
                             Ku-2W (1),
                             Ku-4W (2),
                             Ku-5W (3),
                             Ku-8W (4),
                             Ku-10W (5),
                             Ku-16W (6),
                             Ku-20W (7),
                             Ku-25W (8),
                             Ku-40W (9),
                             Ku-60W (10) }
    MAX-ACCESS      read-only
    STATUS           current
    DESCRIPTION
        "Saturation output power of the BUC."
 ::= { nbt1Informations 1 }
```

\* Above Specifications are subject to change without notice.

## Appendix B: Specifications of Monitor & Control

### nbt1SoftwareInfo OBJECT-TYPE

SYNTAX INTEGER (0..15)

UNITS "ver."

MAX-ACCESS read-only

STATUS current

#### DESCRIPTION

"Version of the BUC function."

::= { nbt1Informations 2 }

nbt1FaultFactor OBJECT IDENTIFIER ::= { nbt1Informations 3 }

### nbt1NegativePSSStatus OBJECT-TYPE

SYNTAX INTEGER {normal (0), failed (1)}

MAX-ACCESS read-only

STATUS current

#### DESCRIPTION

"Fault status of the NegativePS.

0 - normal, 1 - failed."

::= { nbt1FaultFactor 1 }

### nbt1DriverCurrentStatus OBJECT-TYPE

SYNTAX INTEGER {normal (0), overcurrent (1)}

MAX-ACCESS read-only

STATUS current

#### DESCRIPTION

"Fault status of the power amplifier driver.

0 - normal, 1 - over current."

::= { nbt1FaultFactor 2 }

### nbt1TemperatureStatus OBJECT-TYPE

SYNTAX INTEGER {normal(0), overtemperature(1)}

MAX-ACCESS read-only

STATUS current

#### DESCRIPTION

"Fault status of the temperature.

0 - normal, 1 - over temperature."

::= { nbt1FaultFactor 3 }

### nbt1PLLStatus OBJECT-TYPE

SYNTAX INTEGER {lock (0), unlock (1)}

MAX-ACCESS read-only

STATUS current

#### DESCRIPTION

"Fault status of the PLL.

0 - lock, 1 - unlock."

\* Above Specifications are subject to change without notice.



## Appendix B: Specifications of Monitor & Control

::= { nbt1FaultFactor 4 }

nbt1PowerSupplyStatus OBJECT-TYPE

SYNTAX INTEGER {normal (0), low voltage (1), over voltage (2)}

MAX-ACCESS read-only

STATUS current

DESCRIPTION

"Fault status of the power supply.  
0 - normal, 1 - low voltage, 2 - over voltage."

::= { nbt1FaultFactor 5 }

nbt1FANOperatoinStatus OBJECT-TYPE

SYNTAX INTEGER {normal (0), fanfailed (1)}

MAX-ACCESS read-only

STATUS current

DESCRIPTION

"Operation status of the fan.  
0 - normal, 1 - failed."

::= { nbt1FaultFactor 6 }

nbt1FANLifetimeStatus OBJECT-TYPE

SYNTAX INTEGER {normal (0), fan lifetime (1)}

MAX-ACCESS read-only

STATUS current

DESCRIPTION

"Operation time status of the fan.  
0 - normal, 1 - expired."

::= { nbt1FaultFactor 7 }

nbt1FANOperationTime OBJECT-TYPE

SYNTAX INTEGER (0..16777215)

UNITS "mins"

MAX-ACCESS read-only

STATUS current

DESCRIPTION

"Current operation time (in minutes) of the fan."

::= { nbt1Informations 4 }

nbt1FANOperationTime OBJECT-TYPE

SYNTAX INTEGER (0..16777215)

UNITS "mins"

MAX-ACCESS read-only

STATUS current

DESCRIPTION

"Current operation time (in minutes) of the fan."

\* Above Specifications are subject to change without notice.

## Appendix B: Specifications of Monitor & Control

```
 ::= { nbt1Informations 4 }
nbt1PAPower OBJECT-TYPE
    SYNTAX      INTEGER (0..65535)
    UNITS       "x 0.01 dBm"
    MAX-ACCESS  read-only
    STATUS      current
    DESCRIPTION
        "Output power (in hundredths of a dBm) of the power amplifier."
 ::= { nbt1Informations 5 }
nbt1TemperatureMax OBJECT-TYPE
    SYNTAX      INTEGER (-128..127)
    UNITS       "degC"
    MAX-ACCESS  read-only
    STATUS      current
    DESCRIPTION
        "Maximum inner temperature (in deg C)."
```

```
 ::= { nbt1Informations 6 }
nbt1Temperature1 OBJECT-TYPE
    SYNTAX      INTEGER (-128..127)
    UNITS       "degC"
    MAX-ACCESS  read-only
    STATUS      current
    DESCRIPTION
        "Inner temperature of PS Circuit (in deg C)."
```

```
 ::= { nbt1Informations 7 }
nbt1Temperature2 OBJECT-TYPE
    SYNTAX      INTEGER (-128..127)
    UNITS       "degC"
    MAX-ACCESS  read-only
    STATUS      current
    DESCRIPTION
        "Inner temperature of PA Circuit (in deg C)."
```

```
 ::= { nbt1Informations 8 }
nbt1Temperature3 OBJECT-TYPE
    SYNTAX      INTEGER (-128..127)
    UNITS       "degC"
    MAX-ACCESS  read-only
    STATUS      current
    DESCRIPTION
        "Inner temperature of M&C Circuit (in deg C)."
```

\* Above Specifications are subject to change without notice.

## Appendix B: Specifications of Monitor & Control

---

::= { nbt1Informations 9 }

nbt1PowerSupply OBJECT-TYPE

SYNTAX INTEGER (0..65535)

UNITS "x 0.01 V"

MAX-ACCESS read-only

STATUS current

DESCRIPTION

"Inner voltage (in hundredths of a V) of the power supply."

::= { nbt1Informations 10 }

END

----- End -----

\* Above Specifications are subject to change without notice.

# Appendix B: Specifications of Monitor & Control

## 3.6. Instruction of change of IP Address / DHCP configuration

### 3.6.1. Set-up

This session describes the necessary preparations for change of IP address / DHCP configuration.

- I. Download "NJT833X\_DHCP\_Change tool" from [website link](#) and unzip it in a local folder of User's control computer.

This file is as follows:

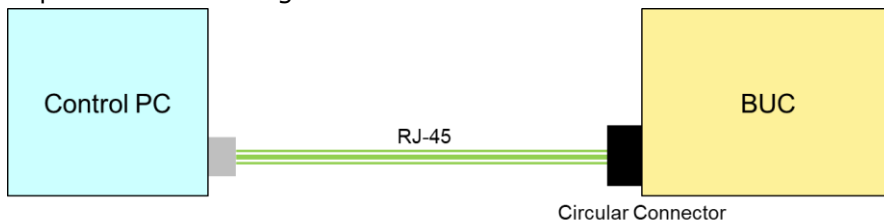
"NJT833X\_DHCP\_disable": Use this if you want to disable DHCP or static IP Address.

"NJT833X\_DHCP\_enable": Use this if you want to enable DHCP.

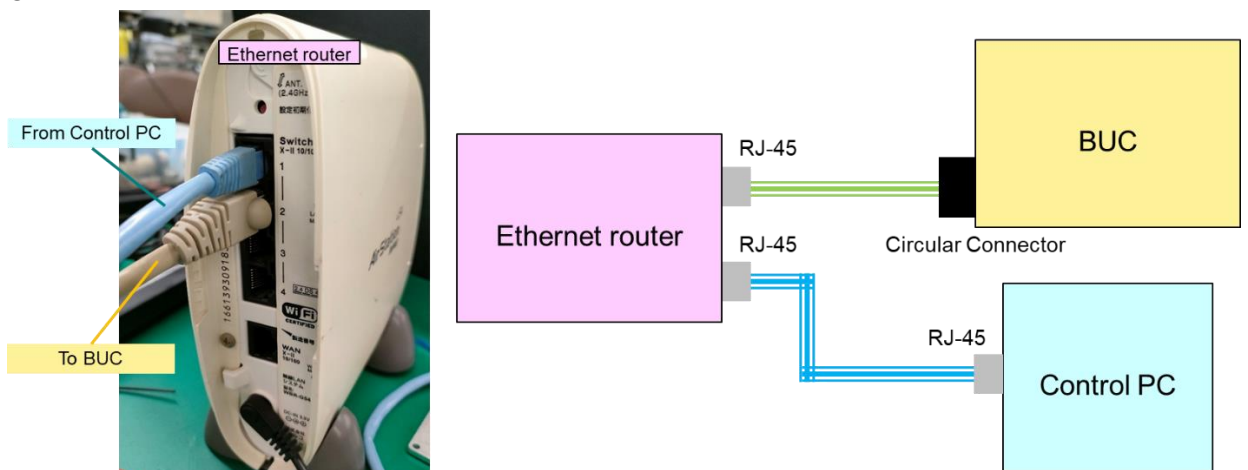
"search\_tool": Don't use this folder. Please don't delete and move.

Name	Date modified	Type
NJT833X_DHCP_disable	10/3/2024 10:28 AM	File folder
NJT833X_DHCP_enable	10/3/2024 10:28 AM	File folder
search_tool	10/3/2024 10:28 AM	File folder

- II. Connect the control computer and BUC on a one-to-one basis (including the router in the case of DHCP Enable) before implementing the following settings. If other devices are connected to the same network as the BUC and control computer, it may not be possible to successfully implement the settings.



OR



\* Above Specifications are subject to change without notice.

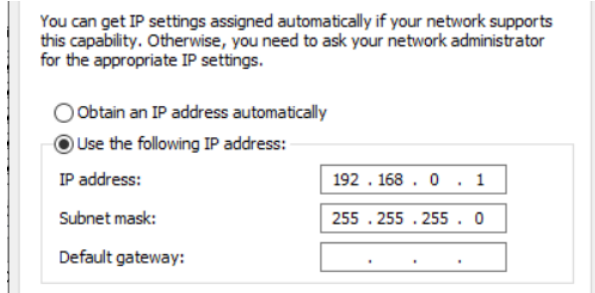
# Appendix B: Specifications of Monitor & Control

## 3.6.2. DHCP Disabled to Enabled

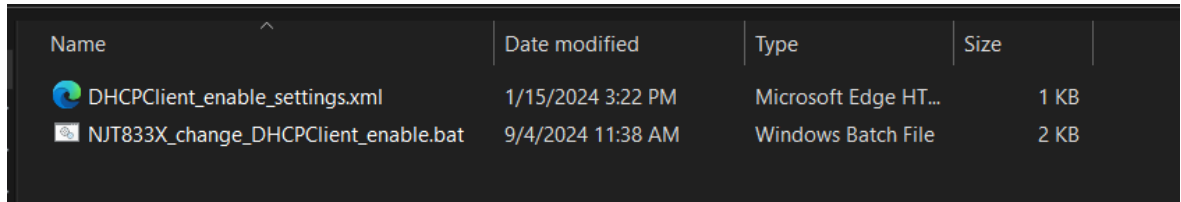
This section describes the procedure for enabling DHCP when BUC is running with DHCP disabled.

I. Connect the control computer and BUC with direct connection(a one-to-one basis).

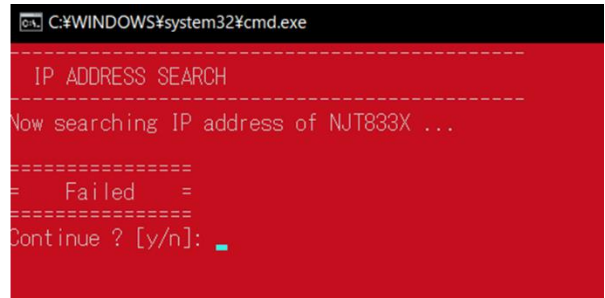
The control computer must be changed to a static IP Address "Use the following IP address" and the IP address must be set to



II. Open the folder of "NJT833X\_DHCP\_enble" and double click "NJT833X\_change\_DHCPClient\_enable.bat".



III. If the change is successful, you will see a blue screen; if not (failed), you will see a red screen and check your connection and run the batch file again.



IV. After the changes are successful, enter "n" and click Enter to exit the batch file.

V. Turn off and on BUC power for the changes to take effect.

\*Settings will be activated after the BUC power is rebooted

\* Above Specifications are subject to change without notice.

# Appendix B: Specifications of Monitor & Control



## 3.6.3. DHCP Enabled to Disabled

This section describes the procedure for disabling DHCP and setting a static IP address to a BUC that is running with DHCP enabled.

- I. Connect the control computer and BUC via ethernet router. If other devices are connected to the same network as the BUC and control computer, it may not be possible to successfully implement the settings.

The control computer must be changed to a dynamic IP Address "Obtain an IP address automatically"

- II. Open the folder of "NJT833X\_DHCP\_disable".

Name	Date modified	Type	Size
 DHCPClient_disable_settings.xml	7/3/2024 4:02 PM	Microsoft Edge HT...	1 KB
 NJT833X_change_DHCPClient_disable.bat	9/4/2024 11:35 AM	Windows Batch File	2 KB

- III. Open "DHCPClient\_disable\_settings.xml" using a text editor. And change it to the IP address and Subnet mask you want to set and save it.

(Default - IP address: 192.168.0.127; Subnet mask: /24 [255.255.255.0])

```
DHCPClient_disable_settings.xml - Notepad
File Edit Format View Help
<?xml version="1.0" standalone="yes"?>
<!DOCTYPE configrecord [
  <!ELEMENT configrecord (configgroup+)>
  <!ELEMENT configgroup (configitem+)>
  <!ELEMENT configitem (value+)>
  <!ELEMENT value (#PCDATA)>
  <!ATTLIST configrecord version CDATA #IMPLIED>
  <!ATTLIST configgroup name CDATA #IMPLIED>
  <!ATTLIST configgroup instance CDATA #IMPLIED>
  <!ATTLIST configitem name CDATA #IMPLIED>
  <!ATTLIST configitem instance CDATA #IMPLIED>
  <!ATTLIST value name CDATA #IMPLIED>
]>
<configrecord version = "0.1.0.1">
  <configgroup name = "Interface" instance = "eth0">
    <configitem name = "DHCP Client">
      <value>Disabled</value>
    </configitem>
    <configitem name = "IP Address">
      <value>192.168.0.127/24</value>
    </configitem>
  </configgroup>
</configrecord>
```

IP address and Subnet mask

- IV. Double Click "NJT833X\_change\_DHCPClient\_disable.bat".

\* Above Specifications are subject to change without notice.

## Appendix B: Specifications of Monitor & Control

- V. If the change is successful, you will see a blue screen; if not (failed), you will see a red screen and check your connection and run the batch file again.

```
C:\WINDOWS\system32\cmd.exe
-----
IP ADDRESS SEARCH
-----
Now searching IP address of NJT833X ...
IP address is 10.32.128.244
<?xml version="1.0" standalone="yes"?>
<!-- Automatically generated XML -->
<!DOCTYPE function [
  <!ELEMENT function (return)>
  <!ELEMENT return (result,message+)>
  <!ELEMENT result (#PCDATA)>
  <!ELEMENT message (#PCDATA)>
  <!ATTLIST function version CDATA #IMPLIED>
]>
<function version = "0.1.0.0">
  <return>
    <message>XML import completed.</message>
    <result>Succeeded</result>
  </return>
</function>
=====
=   Succeeded   =
=====
Continue ? [y/n]:
```

```
C:\WINDOWS\system32\cmd.exe
-----
IP ADDRESS SEARCH
-----
Now searching IP address of NJT833X ...
=====
=   Failed   =
=====
Continue ? [y/n]:
```

- VI. After the changes are successful, enter "n" and click Enter to exit the batch file.  
VII. Turn off and on BUC power for the changes to take effect.  
\*Settings will be activated after the BUC power is rebooted

\* Above Specifications are subject to change without notice.

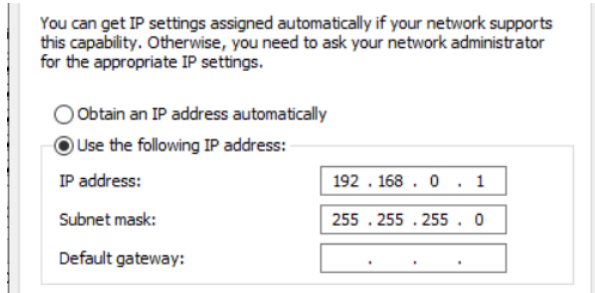
# Appendix B: Specifications of Monitor & Control

## 3.6.4. Change static IP Address

This section describes the procedure for changing the static IP address of a BUC that is running with DHCP disabled and a static IP address.

I. Connect the control computer and BUC with direct connection(a one-to-one basis).

The control computer must be changed to a static IP Address "Use the following IP address" and the IP address must be set to



II. Open the folder of "NJT833X\_DHCP\_disable".

Name	Date modified	Type	Size
DHCPClient_disable_settings.xml	7/3/2024 4:02 PM	Microsoft Edge HT...	1 KB
NJT833X_change_DHCPClient_disable.bat	9/4/2024 11:35 AM	Windows Batch File	2 KB

III. Open "DHCPClient\_disable\_settings.xml" using a text editor. And change it to the IP address and Subnet mask you want to set and save it.

(Default - IP address: 192.168.0.127; Subnet mask: /24 [255.255.255.0])

```
DHCPClient_disable_settings.xml - Notepad
File Edit Format View Help
<?xml version="1.0" standalone="yes"?>
<!DOCTYPE configrecord [
  <!ELEMENT configrecord (configgroup+)>
  <!ELEMENT configgroup (configitem+)>
  <!ELEMENT configitem (value+)>
  <!ELEMENT value (#PCDATA)>
  <!ATTLIST configrecord version CDATA #IMPLIED>
  <!ATTLIST configgroup name CDATA #IMPLIED>
  <!ATTLIST configgroup instance CDATA #IMPLIED>
  <!ATTLIST configitem name CDATA #IMPLIED>
  <!ATTLIST configitem instance CDATA #IMPLIED>
  <!ATTLIST value name CDATA #IMPLIED>
]>
<configrecord version = "0.1.0.1">
  <configgroup name = "Interface" instance = "eth0">
    <configitem name = "DHCP Client">
      <value>Disabled</value>
    </configitem>
    <configitem name = "IP Address">
      <value>192.168.0.127/24</value>
    </configitem>
  </configgroup>
</configrecord>
```

IP address and Subnet mask

IV. Double Click "NJT833X\_change\_DHCPClient\_disable.bat".

\* Above Specifications are subject to change without notice.



## Appendix B: Specifications of Monitor & Control

- V. If the change is successful, you will see a blue screen; if not (failed), you will see a red screen and check your connection and run the batch file again.

```
C:\WINDOWS\system32\cmd.exe
-----
IP ADDRESS SEARCH
-----
Now searching IP address of NJT833X ...
IP address is 10.32.128.244
<?xml version="1.0" standalone="yes"?>
<!-- Automatically generated XML -->
<!DOCTYPE function [
  <!ELEMENT function (return)>
  <!ELEMENT return (result,message+)>
  <!ELEMENT result (#PCDATA)>
  <!ELEMENT message (#PCDATA)>
  <!ATTLIST function version CDATA #IMPLIED>
]>
<function version = "0.1.0.0">
  <return>
    <message>XML import completed.</message>
    <result>Succeeded</result>
  </return>
</function>
=====
=   Succeeded   =
=====
Continue ? [y/n]:
```

```
C:\WINDOWS\system32\cmd.exe
-----
IP ADDRESS SEARCH
-----
Now searching IP address of NJT833X ...
=====
=   Failed   =
=====
Continue ? [y/n]:
```

- VI. After the changes are successful, enter "n" and click Enter to exit the batch file.  
VII. Turn off and on BUC power for the changes to take effect.  
\*Settings will be activated after the BUC power is rebooted

\* Above Specifications are subject to change without notice.