

16-CHARACTER 1-LINE DOT MATRIX VFD CONTROLLER DRIVER

■ GENERAL DESCRIPTION

The NJU3430 is a Dot Matrix VFD (Vacuum Fluorescent Display) Controller Driver for 16-character 1-line with Icon display.

It contains character generator ROM/RAM, address counter, oscillation circuit, command register, Icon display RAM, high voltage drivers, and serial interface circuit.

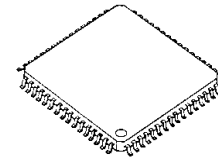
The display data or the command data is transmitted with the serial interface circuits.

The character generator consists of 8,400 bits ROM and 35 x 8 bits RAM. The CG RAM stores 8 kinds of character by 5 x 7dots maximum.

The 16-common and 37-segment (35 for character, 2 for icon) drivers operated up to 45V drive the display of 16-character 1-line with 32-Icon.

Furthermore, the NJU3430 incorporates one Output port which drives the LED.

■ PACKAGE OUTLINE



NJU3430FG1

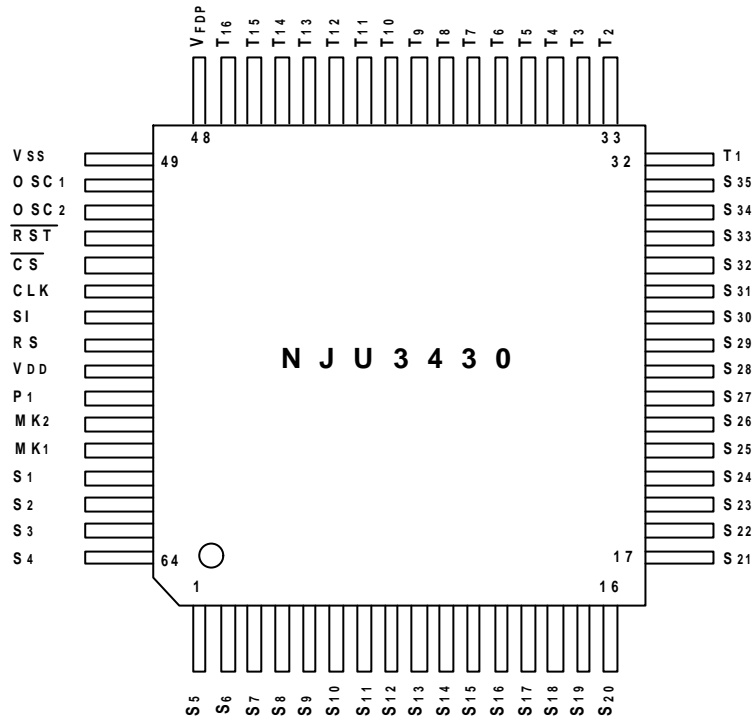
■ FEATURES

- 16-character 1-line Dot Matrix VFD Controller Driver
- Serial Interface with Microprocessor
- Display Data RAM 16 x 8 bits : 16-character 1-line Display
- Character Generator ROM 8,400 bits : 240 Characters for 5 x 7 Dots
- Character Generator RAM 35 x 8 bits : 8 Patterns (5 x 7 Dots)
- Icon Display RAM 16 x 2 bits : Maximum 32 Icon
- VFD Driving Voltage | VDD-VFDP | ≤ 45V
 - Timing Signal : 16
 - Segment Signal : 35 (Except for Icon Segment Signal)
- Output Port for LED : 1
- Display ON/OFF Function
- Digit Scan Function
- Display Duty (Contrast Control) : 8-step (8/16 to 15/16)
- Character / Icon Shift Function
- Display Mode (9 to 16 Digits)
- Oscillation Circuit on-chip (External Resistor and Capacitor Required)
- Operating Voltage 3.0V to 5.5V (Except VFD Driving Voltage)
- Package Outline QFP 64
- C-MOS Technology

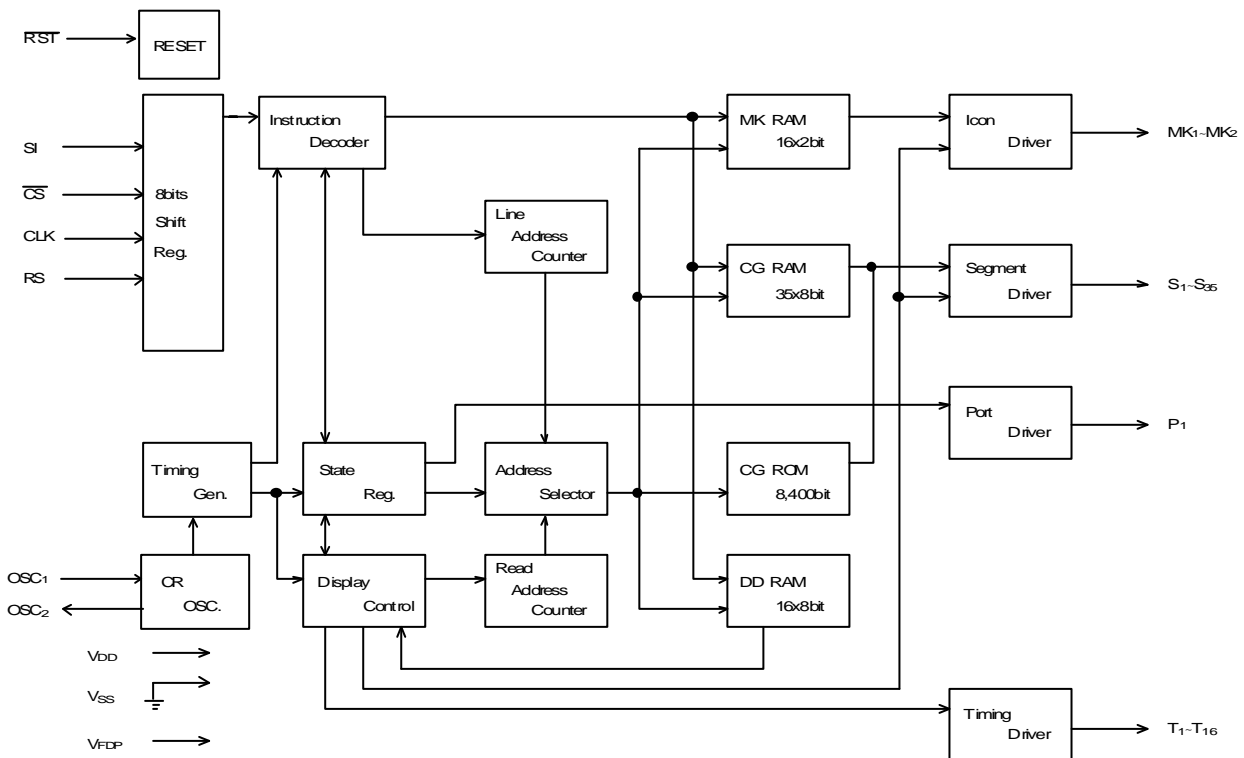
Jul. 2003

Ver. 3

■ PIN CONFIGURATION



■ BLOCK DIAGRAM



■ TERMINAL DESCRIPTION

No.	SYMBOL	I/O	F U N C T I O N
57	VDD	-	Power Source : VDD=+3.0 to 5.5V
49	VSS	-	GND : VSS=0V
48	VFDP	-	VFD Driving Power Source VDD=20V to VDD=45V
50	OSC1	I	CR Oscillation Terminal External R and C connect to these terminals. (Target fOSC=360kHz)
51	OSC2	O	
54	CLK	I	Serial Clock Input Terminal The serial data input synchronizing the rise edge of this terminal.
53	\overline{CS}	I	Chip Select Terminal When the CS terminal is "H" the serial data input is not available.
55	SI	I	Serial Data Input Terminal The data input is MSB first.
56	RS	I	Register Selection Signal Input Terminal RS="0" : Instruction Register RS="1" : Data Register
52	\overline{RST}	I	Reset Terminal RST="L" : Reset -Each Address : (00)H -Each RAM Data : Unfixed -Display Digits : 16-digit -Contrast Control : 8/16 Duty -All Display Off -All Outputs are "L"
61 to 64, 1 to 31	S1 to S35	O	Segment Output Terminals (Internal Pull-down Resistance)
32 to 47	T1 to T16	O	Timing Output Terminals (Internal Pull-down Resistance)
60 59	MK1 MK2	O	Icon Output Terminals (Internal Pull-down Resistance)
58	P1	O	Output Port Terminal This terminal is suitable for LED.

■ FUNCTION DESCRIPTION

(1)CG RAM data and Character Dot Matrix

The character generator RAM (CG RAM) stores any kinds of character pattern by 5 x 7 dots written by the user program to display user's original character pattern. The CG RAM stores 8 kinds of character by 5 x 7 dots maximum.

To display user's original character pattern stored in the CG RAM, the address data (00)H - (07) should be written to the DD RAM as shown in Table 2.

Table 1. Correspondence of CG RAM address, DD RAM character code and CG RAM character pattern(5 x 7 dots).

Character Code (DD RAM Data)	CG RAM Address						Correspondence of CG RAM Data and SEG Terminal				
	AC5	AC4	AC3	AC2	AC1	AC0	SC4	SC3	SC2	SC1	SC0
(00)H	0	0	0	0	0	0	S1	S2	S3	S4	S5
				0	0	1	S6	S7	S8	S9	S10
				0	1	0	S11	S12	S13	S14	S15
				0	1	1	S16	S17	S18	S19	S20
				1	0	0	S21	S22	S23	S24	S25
				1	0	1	S26	S27	S28	S29	S30
				1	1	0	S31	S32	S33	S34	S35
				1	1	1	Invalid Address				
(01)H	0	0	1	0	0	0	S1	S2	S3	S4	S5
				0	0	1	S6	S7	S8	S9	S10
				0	1	0	S11	S12	S13	S14	S15
				0	1	1	S16	S17	S18	S19	S20
				1	0	0	S21	S22	S23	S24	S25
				1	0	1	S26	S27	S28	S29	S30
				1	1	0	S31	S32	S33	S34	S35
				1	1	1	Invalid Address				
⋮	⋮	⋮	⋮	⋮	⋮	⋮	⋮	⋮	⋮	⋮	⋮
(07)H	1	1	1	0	0	0	S1	S2	S3	S4	S5
				0	0	1	S6	S7	S8	S9	S10
				0	1	0	S11	S12	S13	S14	S15
				0	1	1	S16	S17	S18	S19	S20
				1	0	0	S21	S22	S23	S24	S25
				1	0	1	S26	S27	S28	S29	S30
				1	1	0	S31	S32	S33	S34	S35
				1	1	1	Invalid Address				

* When the data is written to CG RAM successively, the invalid address is skipped automatically.

(Ex.)CG RAM Address : (06)H \longrightarrow CG RAM Address : (08)H
 After data writing operation

Table 2.CG ROM Character Pattern (ROM version -02)

		Upper 4 bit (Hexadecimal)															
		0	1	2	3	4	5	6	7	8	9	A	B	C	D	E	F
Lower 4 bit (Hexadecimal)	0	CG RAM (01)	A		0	0	P	`	p	ç	é		—	9	3	0	p
	1	(02)	B	!	1	A	0	a	4	ü	e	»	7	*	4	ä	9
	2	(03)	ä	"	2	B	R	b	r	é	É	´	ı	ı	ı	ı	ı
	3	(04)	ı	#	3	C	S	c	s	ä	ö	ı	ı	ı	ı	ı	ı
	4		ö	\$	4	D	T	d	t	ä	ö	ı	ı	ı	ı	ı	ı
	5		ö	%	5	E	U	e	u	ä	ö	ı	ı	ı	ı	ı	ı
	6		A	&	6	F	V	f	v	ä	ö	ı	ı	ı	ı	ı	ı
	7		A	'	7	B	W	w	g	ü	7	†	‡	§	¶	¶	¶
	8		a	<	8	H	X	h	x	é	ü	ı	ı	ı	ı	ı	ı
	9		o)	9	I	Y	i	y	é	ö	ı	ı	ı	ı	ı	ı
	A		ö	*	:	J	Z	j	z	è	ü	ı	ı	ı	ı	ı	ı
	B		ı	+	:	K	L	k	l	ı	ı	ı	ı	ı	ı	ı	ı
	C		ı	,	<	L	ı	ı	ı	ı	ı	ı	ı	ı	ı	ı	ı
	D		ı	—	=	M	I	m)	ı	ı	ı	ı	ı	ı	ı	ı
	E		ı	.	>	N	^	n	ı	ı	ı	ı	ı	ı	ı	ı	ı
	F		ı	/	?	0	_	o	ı	ı	ı	ı	ı	ı	ı	ı	ı

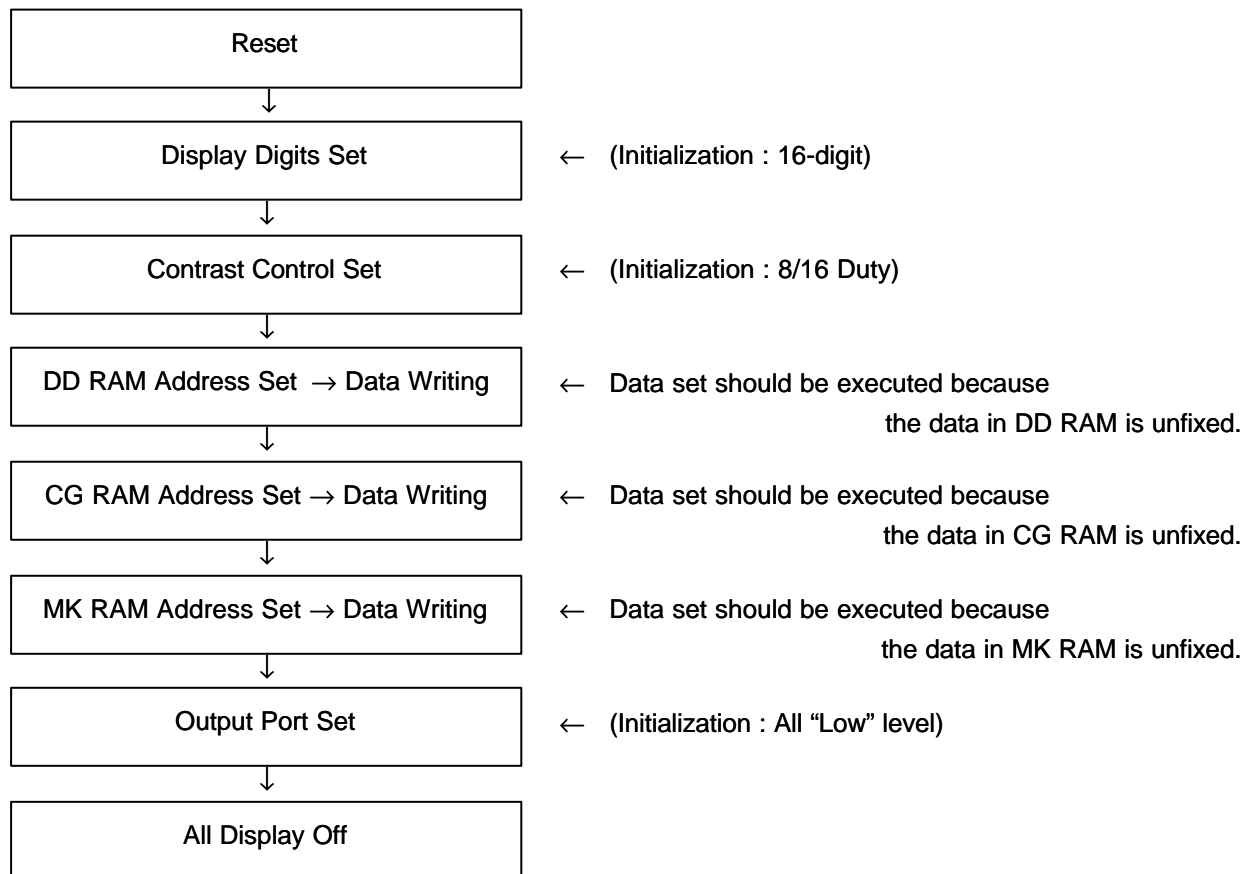
(2)Reset Function

(2-1)Initialization by Reset Terminal

The NJU3430 incorporates \overline{RST} terminal to initialize the all system. When the "L" level is input over 1us to the \overline{RST} terminal, the reset sequence is executed. The Initialization flow is shown below :

Each RAM Address	---	(00)H
Each RAM Data	---	Unfixed
Output Port	---	"L" Level (VSS)
Display Digits	---	16-digit
Contrast Control	---	8/16 Duty
All Display ON/OFF	---	All Display OFF

(2-2)Initialization (After the Reset)



(3) Instruction

Each instruction is shown in the Table 3. The data should be written to the RAM continuously after the RAM address set. The order of data writing is MSB first.

Table 3. Table of Instruction

INSTRUCTION	RS	Serial Data								DESCRIPTION	
		MSB							LSB		
		B7	B6	B5	B4	B3	B2	B1	B0		
Maker Test	0	0	0	0	0	0	0	0	0		
Output Port Set	0	0	0	0	0	0	0	1	P1	Output Port Control	
Display On/Off	0	0	0	0	0	0	1	M	D	Set the Display On/Off (Character and Icon)	
Display Duty Set	0	0	0	0	0	1	D2	D1	D0	Set the Contrast Control	
Display Shift	0	0	0	0	1	0	LR	M	D	Set the Display Shift (Character and Icon)	
Display Blink Set	0	0	0	1	B2	B1	B0	M	D	Set the Blink Interval (Character and Icon)	
Display Digits Set	0	0	1	0	0	0	C2	C1	C0	Set the Display Digits (9 to 16 degits)	
RAM Address Set	0	1	0	0	0	AD3	AD2	AD1	AD0	Set the RAM Address (AD0 to AD3 : DD RAM) (AM0 to AM3 : MK RAM) (AC0 to AC5 : CG RAM)	
			0	0	1	AM3	AM2	AM1	AM0		
			1	AC5	AC4	AC3	AC2	AC1	AC0		
Write Data to RAM	1		SD7	SD6	SD5	SD4	SD3	SD2	SD1	SD0	After the RAM Address Set, the data should be written to RAM (SD0 to SD7 : DD RAM) (SM0 to SM1 : MK RAM) (SC0 to SC4 : CG RAM)
			0	0	0	0	0	0	SM1	SM0	
			0	0	0	SC4	SC3	SC2	SC1	SC0	

*Instruction is executed within 32uS from the rise edge of the Chip Select CS Signal. (at fOSC=250kHz)

(3-1)Description of each Instruction

(a)Maker Testing

RS	B7	B6	B5	B4	B3	B2	B1	B0
0	0	0	0	0	0	0	0	0

Set the test mode.

(b)Output Port Set

RS	B7	B6	B5	B4	B3	B2	B1	B0
0	0	0	0	0	0	0	1	P1

Set the Output Port (1 bit static operation)."P1" is Output Port name.

*P1 does not drive VFD.

P1	F U N C T I O N
0	"L" level is output.
1	"H" level is output.

(c)Display On/Off

RS	B7	B6	B5	B4	B3	B2	B1	B0
0	0	0	0	0	0	1	M	D

Set the Display On/Off (Character and Icon). All Display are Off after Reset.

M	D	F U N C T I O N
0	0	Icon Display "Off", Character Display "Off"
0	1	Icon Display "Off", Character Display "On"
1	0	Icon Display "On", Character Display "Off"
1	1	Icon Display "On", Character Display "On"

(d)Display Duty Set

RS	B7	B6	B5	B4	B3	B2	B1	B0
0	0	0	0	0	1	D2	D1	D0

One duty is selected from among eight kinds of duty by Display Duty Set. 8/16 Duty (lowest contrast) is set after reset, an optional duty should be selected before display operation.

B2	B1	B0	Duty
0	0	0	8/16
0	0	1	9/16
:	:	:	:
1	1	0	14/16
1	1	1	15/16

(e) Display Shift

R S	B 7	B 6	B 5	B 4	B 3	B 2	B 1	B 0
0	0	0	0	1	0	LR	M	D

The display positions of Character and Icon are shifted by Display Shift instruction. When the codes of "LR", "M" and "D" mentioned below are written into "B2", "B1" and "B0", the display positions are shifted individually.

LR	F U N C T I O N
0	Shift the display position to the right.
1	Shift the display position to the left.
<hr/>	
M	F U N C T I O N
0	The shift operation is not available.
1	The shift operation is selected for Icon.
<hr/>	
D	F U N C T I O N
0	The shift operation is not available.
1	The shift operation is selected for Character.

16-digit Display Example

[Input Data]	[Correspondence of DD RAM, MK RAM Address and Display]																
	1-digit	8-digit								16-digit							
00010001 (DD RAM right shift)	00	01	02	03	04	05	06	07	08	09	0A	0B	0C	0D	0E	0F	← MK RAM
	0F	00	01	02	03	04	05	06	07	08	09	0A	0B	0C	0D	0E	← DD RAM
00010010 (MK RAM right shift)	0F	00	01	02	03	04	05	06	07	08	09	0A	0B	0C	0D	0E	← MK RAM
	00	01	02	03	04	05	06	07	08	09	0A	0B	0C	0D	0E	0F	← DD RAM
00010011 (DD, MK RAM right shift)	0F	00	01	02	03	04	05	06	07	08	09	0A	0B	0C	0D	0E	← MK RAM
	0F	00	01	02	03	04	05	06	07	08	09	0A	0B	0C	0D	0E	← DD RAM

9-digit Display Example

[Input Data]	[Correspondence of DD RAM, MK RAM Address and Display]									
	1-digit	8-digit								
00010001 (DD RAM right shift)	00	01	02	03	04	05	06	07	08	← MK RAM
	0F	00	01	02	03	04	05	06	07	← DD RAM
00010010 (MK RAM right shift)	0F	00	01	02	03	04	05	06	07	← MK RAM
	00	01	02	03	04	05	06	07	08	← DD RAM
00010011 (DD, MK RAM right shift)	0F	00	01	02	03	04	05	06	07	← MK RAM
	0F	00	01	02	03	04	05	06	07	← DD RAM

*In spite of display digits, the data of 16-digit is required to write into DD RAM.

(f) Display Blink Set

RS	B7	B6	B5	B4	B3	B2	B1	B0
0	0	0	1	B2	B1	B0	M	D

One blink state of Character and Icon is selected from among eight-step blink state by Display Blink Set. Non-Blink is selected after Reset. The optional blink state should be selected before display operation.

B2	B1	B0	STATUS
0	0	0	Non-Blink
0	0	1	Blink at about 0.1s
:	:	:	:
1	1	0	Blink at about 0.6s
1	1	1	Blink at about 0.7s

M	FUNCTION
0	The blink operation is not available.
1	The blink operation is selected for Icon.

D	FUNCTION
0	The blink operation is not available.
1	The blink operation is selected for Character.

*At fOSC=360kHz

(g) Display Digits Set

RS	B7	B6	B5	B4	B3	B2	B1	B0
0	0	1	0	0	0	C2	C1	C0

The number of display digits is selected from among 9-digit to 16-digit by Display Digits Set. 16-digit is selected after Reset. The optional number of display digits should be selected before display operation.

C2	C1	C0	Display Digits
0	0	0	16-digit display
0	0	1	9-digit display
:	:	:	:
1	1	0	14-digit display
1	1	1	15-digit display

(h)RAM Address Set

RS	B7	B6	B5	B4	B3	B2	B1	B0	
0	1	0	0	0	AD3	AD2	AD1	AD0	← DD RAM Address Set:(00)H to (0F)H
	1	0	0	1	AM3	AM2	AM1	AM0	← MK RAM Address Set:(00)H to (0F)H
	1	1	AC5	AC4	AC3	AC2	AC1	AC0	← CG RAM Address Set:(00)H to (3F)H

The DD RAM, MK RAM and CG RAM Address are set by RAM Address Set. Correspondences of each RAM address and Display position are shown below :

Correspondence of DD RAM Address and Timing terminals (Not shift)

DD RAM Address	00	01	02	03	04	05	06	07	08	09	0A	0B	0C	0D	0E	0F
Digits	1	2	3	4	5	6	7	8	9	10	11	12	13	14	15	16

Correspondence of MK RAM Address and Timing terminals (Not shift)

MK RAM Address	00	01	02	03	04	05	06	07	08	09	0A	0B	0C	0D	0E	0F
Digits	1	2	3	4	5	6	7	8	9	10	11	12	13	14	15	16

About the detail of CG RAM Address, refer to "(1)CG RAM data and Character Dot Matrix".

(i)Write Data to RAM

RS	B7	B6	B5	B4	B3	B2	B1	B0	
1	SD7	SD6	SD5	SD4	SD3	SD2	SD1	SD0	← DD RAM Data Set:(00)H to (FF)H
	0	0	0	0	0	0	SM1	SM0	← MK RAM Data Set:(00)H to (03)H
	0	0	0	SC4	SC3	SC2	SC1	SC0	← CG RAM Data Set:(00)H to (1F)H

The data are written into DD RAM, MK RAM and CG RAM by Write Data to RAM. The writing data address is used that is set the address just before writing data. Therefore, when the new data writing, the address set should be executed before writing data. The address is increased by 1 automatically after writing data, therefore, the MPU writes the data into the each RAM without any address setting after the start address.

(Writing example)

1Byte	2Byte	3Byte	4Byte
10000011	01010101	11111000	00110101
DD RAM Address set(03)H	DD RAM Address(03)H set CG ROM(55)H	DD RAM Address(04)H set CG ROM(F8)H	DD RAM Address(05)H set CG ROM(35)H

The writing data in the each RAM are shown below.

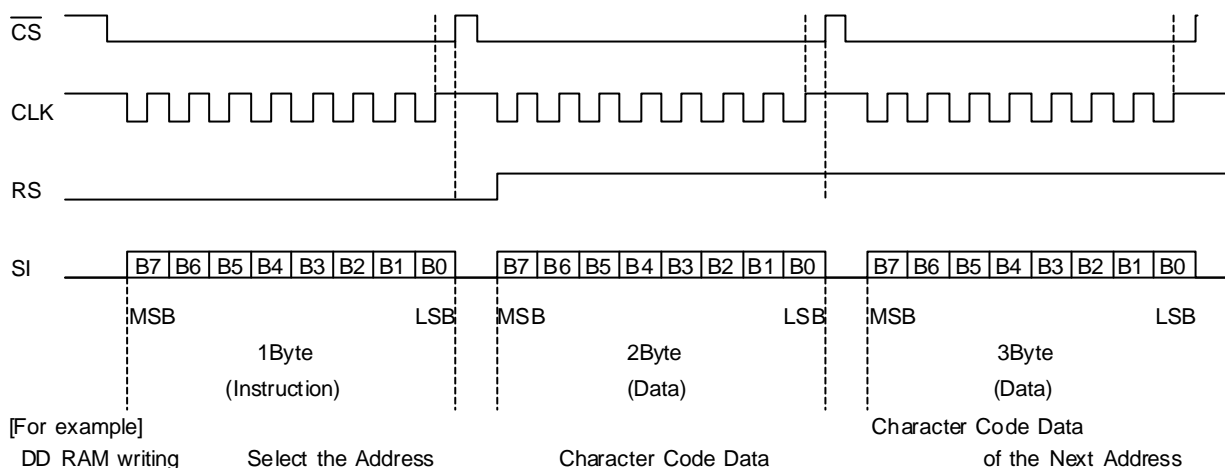
DD RAM Data[SD7 to SD0]	--- Character code of each digit	: (00)H to (FF)H
MK RAM Data[SM1 to SM0]	--- Icon display of each digit	: SM1→MK2, SM0→MK1
CG RAM Data[SC4 to SC0]	--- Character code	: (00)H to (0F)H Dot Data
(About the detail, refer to "(1)CG RAM data and Character Dot Matrix".)		

■ Interface with MPU

The instruction and RAM data are input through the serial port. The data form is 8-bit per word, and data transfer is performed by synchronizing clock. The shift clock is input from external, and the data is loaded at the rising edge of the shift clock.

One time transfer is executed by 8-bit unit. The transfer period is from falling edge to rising of the CS signal from external. Therefore, when the rising edge of the CS signal is input, the operation is started. When more than 8-bit data is input, the last 8-bit data is valid.

The input data is judged as instruction or RAM data by the RS signal at the rising edge of the CS signal (RS="H" : RAM data, RS="L" : Instruction). When the input data is RAM data, the RAM address is increased one by one automatically after data writing.



■ ABSOLUTE MAXIMUM RATINGS

P A R A M E T E R	SYMBOL	R A T I N G S	UNIT	C O N D I T I O N S
Supply Voltage (1)	VDD	-0.3 to 6.5	V	
Supply Voltage (2)	VFDP	-40 to VDD+0.3	V	
Input Voltage	VIN	-0.3 to VDD+0.3	V	
Power Dissipation	PD	800	mW	Ta ≤ 25°C QFP-64
Storage Temperature	Tstg	-55 to 125	°C	
Operating Temperature	Topr	-40 to 85	°C	
Output Current	IO1	-40	mA	T1 - T16
	IO2	-20	mA	MK1 - MK2
	IO3	-10	mA	S1 - S35
	IO4	-4.0	mA	P1(LED drive is available)
Total Output Current	ΣIOH	-100	mA	All Terminals at "H" level
	ΣIOL	100	mA	All Terminals at "L" level

Note 1) If the LSI are used on condition above the absolute maximum ratings, the LSI may be destroyed. Using the LSI within electrical characteristics is strongly recommended for normal operation. Use beyond the electric characteristics conditions will cause malfunction and poor reliability.

Note 2) Decoupling capacitor should be connected between VDD and VSS, VFDP and VSS due to the stabilized operation for the LSI.

Note 3) All voltage values are specified as VSS = 0V.

The relation : VDD > VSS, VDD > VSS ≥ VFDP, VSS=0V must be maintained.

■ ELECTRICAL CHARACTERISTICS

(VDD=5.0V ± 10%, VFDP=VDD-40V, Ta=25°C)

PARAMETER	SYMBOL	CONDITIONS		MIN	TYP	MAX	UNIT	NOTE
Input Voltage	V _{IH}			0.8V _{DD}			V	4
	V _{IL}					0.2V _{DD}		
Input Leakage Current	I _{IH}	V _{IH} =V _{DD}		-1.0		1.0	μA	4
	I _{IL}	V _{IL} =0V		-1.0		1.0		
Output Voltage	V _{OH1}	I _{OH1} =-30mA		V _{DD} -1.5			V	5
	V _{OH2}	I _{OH2} =-15mA		V _{DD} -1.5				6
	V _{OH3}	I _{OH3} =-6mA		V _{DD} -1.5				7
	V _{OH4}	I _{OH4} =-2mA		V _{DD} -1.0				8
	V _{OL1}	I _{OL1} =2mA				1.0		8
Pull-down Resistance	R _{DT}			125	220	300	kΩ	5
	R _{DS}			180	310	420	kΩ	9
Operating Current (Only Logic circuit)	I _{SS1}	f _{osc} =360kHz No load	Duty=15/16, Digit=1-16 All Output ON			3	mA	10
	I _{SS2}		Duty=8/16, Digit=1-9 All Output OFF			2		

(VDD=3.3V ± 10%, VFDP=VDD-40V, Ta=25°C)

PARAMETER	SYMBOL	CONDITIONS		MIN	TYP	MAX	UNIT	NOTE
Input Voltage	V _{IH}			0.8V _{DD}			V	4
	V _{IL}					0.2V _{DD}		
Input Leakage Current	I _{IH}	V _{IH} =V _{DD}		-1.0		1.0	μA	4
	I _{IL}	V _{IL} =0V		-1.0		1.0		
Output Voltage	V _{OH1}	I _{OH1} =-20mA		V _{DD} -2.0			V	5
	V _{OH2}	I _{OH2} =-10mA		V _{DD} -2.0				6
	V _{OH3}	I _{OH3} =-6mA		V _{DD} -2.0				7
	V _{OH4}	I _{OH4} =-2mA		V _{DD} -1.0				8
	V _{OL1}	I _{OL1} =2mA				1.0		8
Pull-down Resistance	R _{DT}			125	220	300	kΩ	5
	R _{DS}			180	310	420	kΩ	9
Operating Current (Only Logic circuit)	I _{SS1}	f _{osc} =360kHz No load	Duty=15/16, Digit=1-16 All Output ON			3	mA	10
	I _{SS2}		Duty=8/16, Digit=1-9 All Output OFF			2		

Note 4) Apply to the RS, CS, CLK, SI, RST terminals.

Note 5) Apply to the T1 - T16 terminals.

Note 6) Apply to the MK1 - MK2 terminal.

Note 7) Apply to the S1 - S35 terminals.

Note 8) Apply to the P1 terminal.

Note 9) Apply to the MK1 - MK2 and S1 - S35 terminals.

Note 10) Measurement at the VSS terminal.

■ AC CHARACTERISTICS

(VDD=5.0V ± 10%, VFDP=VDD-40V, Ta=25°C)

P A R A M E T E R	SYMBOL	C O N D I T I O N S	MIN	TYP	MAX	UNIT	
Oscillation Frequency	fosc	R=68kΩ, C=390pF	250	360	470	kHz	
Serial Clock Cycle Time	tCYCE	Fig.1	1			μS	
Serial Clock Width	tsc		300			nS	
Chip Select Pulse Width	PWcs		32			μS	
Chip Select Set Up Time	tcsu		300			nS	
Chip Select Hold Time	tch		300			nS	
Serial Input Data Set Up Time	tsisu		300			nS	
Serial Input Data Hold Time	tsih		300			nS	
RS Set Up Time	trs		300			nS	
RS Hold Time	trh		300			nS	
RST Pulse Width	trsl		Fig.2	1			μS
VDD-RST Input Timing	trson			50			μS
RST-SI Input Timing	trsoff	50				μS	
VDD Rise Time	trpz				50	μS	

(VDD=3.3V ± 10%, VFDP=VDD-40V, Ta=25°C)

P A R A M E T E R	SYMBOL	C O N D I T I O N S	MIN	TYP	MAX	UNIT	
Oscillation Frequency	fosc	R=20kΩ, C=200pF	250	360	470	kHz	
Serial Clock Cycle Time	tCYCE	Fig.1	1			μS	
Serial Clock Width	tsc		300			nS	
Chip Select Pulse Width	PWcs		32			μS	
Chip Select Set Up Time	tcsu		300			nS	
Chip Select Hold Time	tch		300			nS	
Serial Input Data Set Up Time	tsisu		300			nS	
Serial Input Data Hold Time	tsih		300			nS	
RS Set Up Time	trs		300			nS	
RS Hold Time	trh		300			nS	
RST Pulse Width	trsl		Fig.2	1			μS
VDD-RST Input Timing	trson			50			μS
RST-SI Input Timing	trsoff	50				μS	
VDD Rise Time	trpz				50	μS	

- Timing Chart

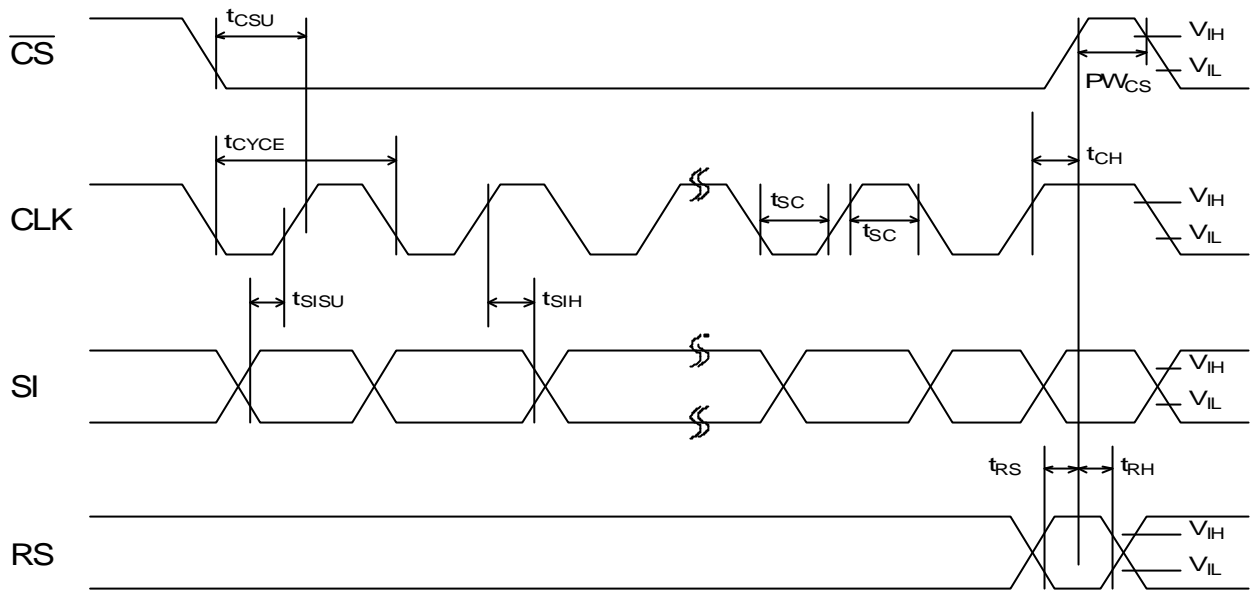


Fig.1 Data Input Timing

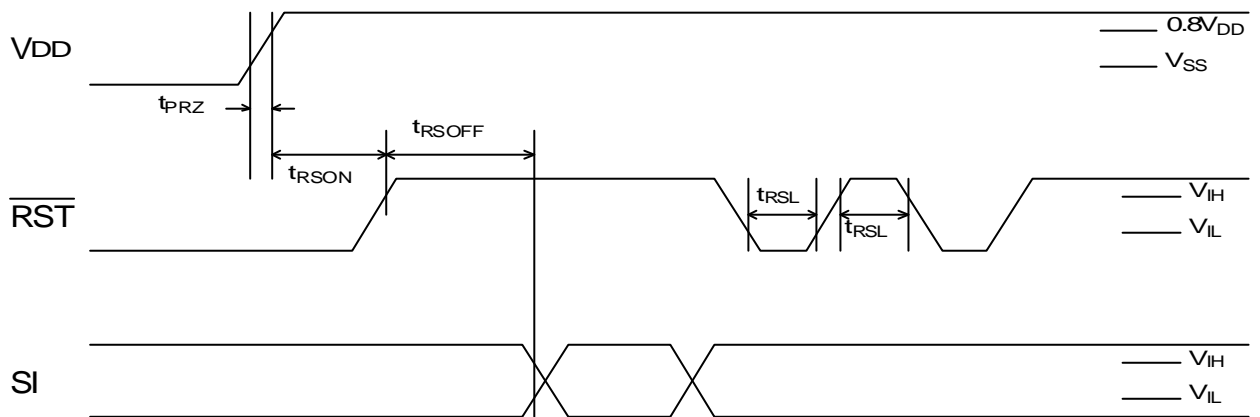


Fig.2 Reset Timing

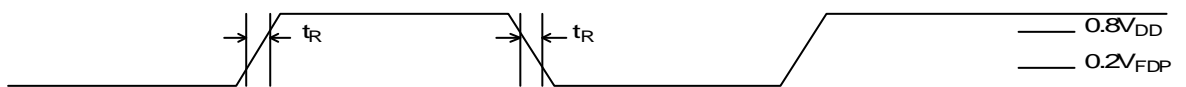
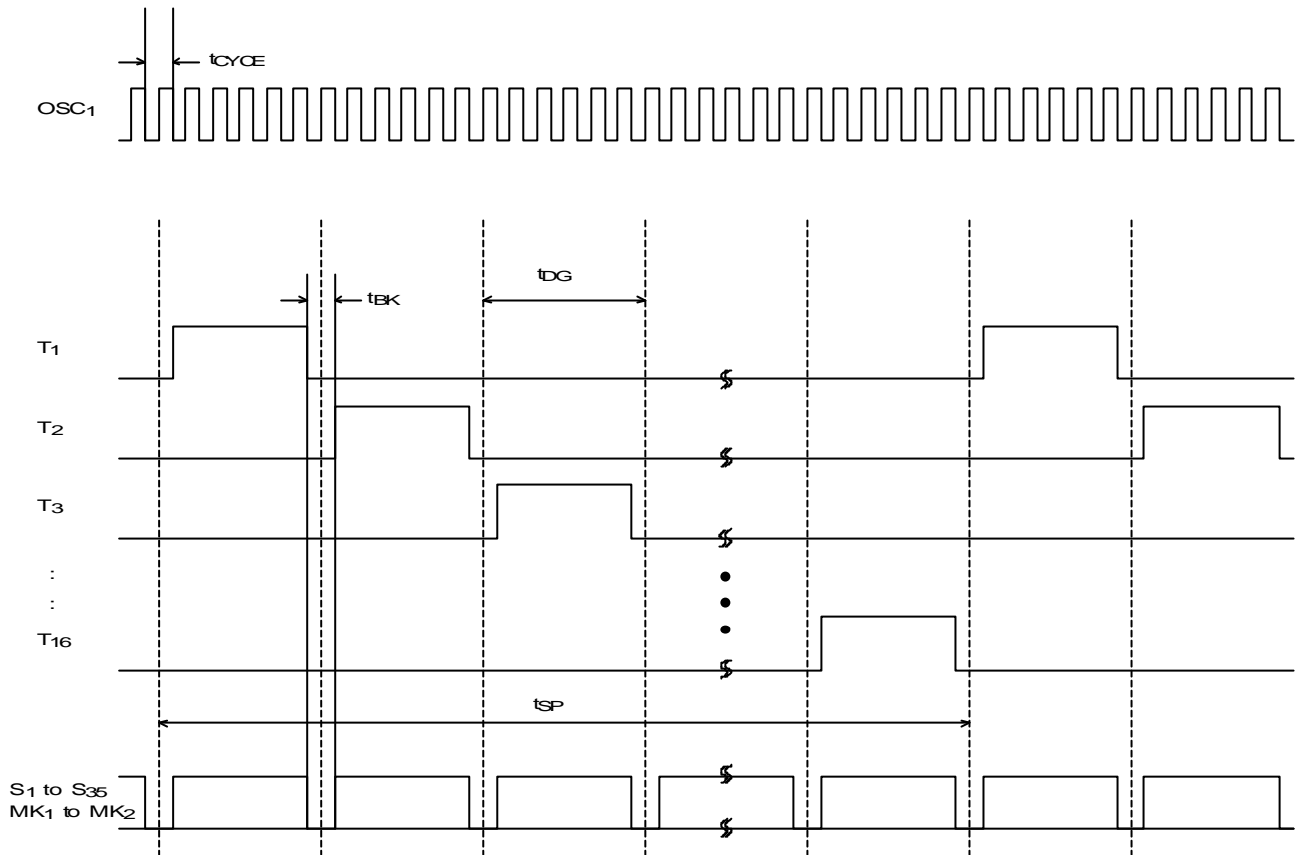


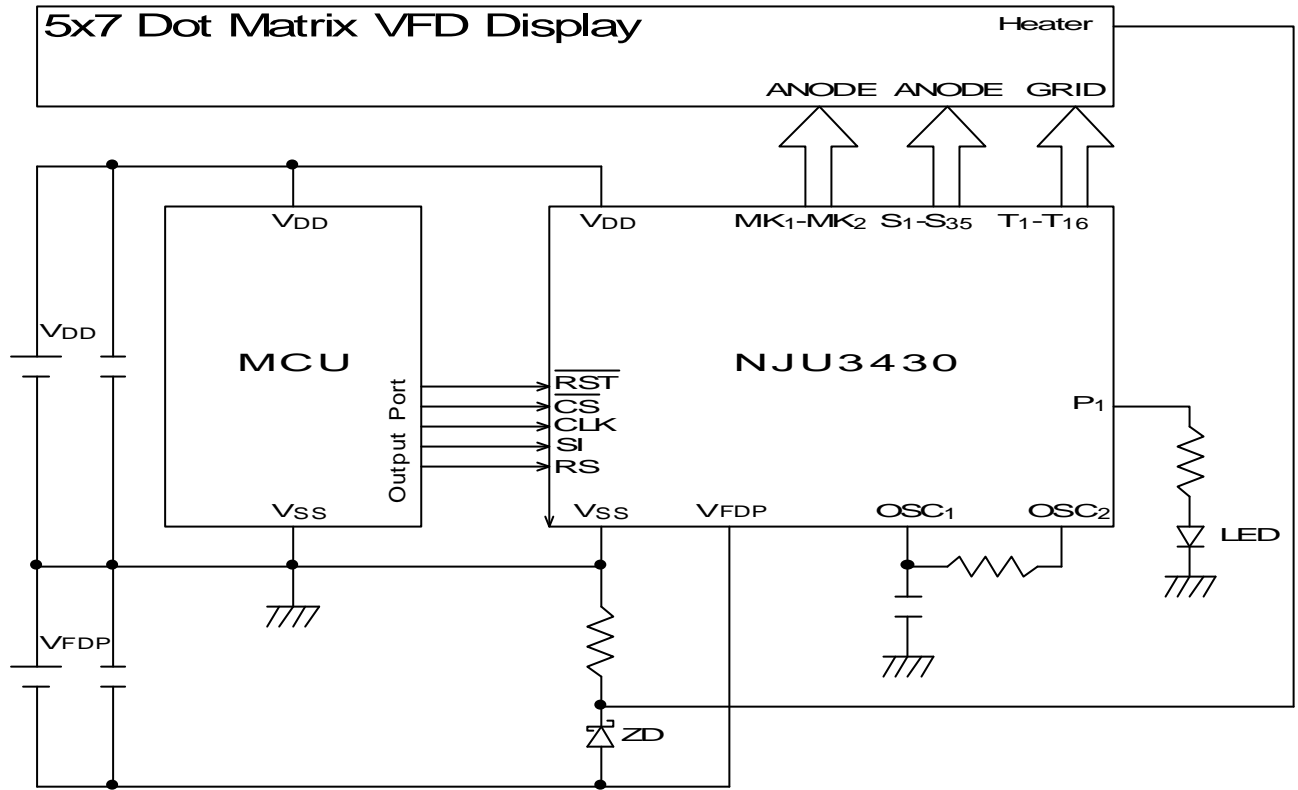
Fig.3 Output Timing (CL=100pF, t_R =20 to 80% or 80 to 20%)

■ VFD DRIVING WAVE FORM



- | | |
|--------------------------------------|--|
| Oscillation Frequency | : t_{CYCE} |
| Minimum Blanking Time
(Duty15/16) | : $t_{BK} = t_{CYCE} \times 4$ |
| 1-character Display Time | : $t_{DG} = t_{BK} \times 16$ |
| 1-cycle Display Time | : $t_{SP} = t_{DG} \times \text{Digits}$ |

■ APPLICATION CIRCUIT



MEMO

[CAUTION]

The specifications on this databook are only given for information , without any guarantee as regards either mistakes or omissions. The application circuits in this databook are described only to show representative usages of the product and not intended for the guarantee or permission of any right including the industrial rights.