

QUARTZ CRYSTAL OSCILLATOR

GENERAL DESCRIPTION

The NJU6338 series is a C-MOS quartz crystal oscillator which consists of an oscillation amplifier, 3-stage divider and 3-state output buffer.

This series are classed into three groups A to D, H to L and Q to T according to their oscillation frequency range mentioned in the line-up table.

The oscillation amplifier incorporates feed-back resistance and oscillation capacitors(Cg, Cd), therefore, it requires no external component except quartz crystal.

The 3-stage divider generates f_o , $f_o/2$, $f_o/4$ and $f_o/8$ and only one frequency selected by internal circuits is output.

The 3-state output buffer is TTL compatible and capable of 10 TTL driving.

The difference between NJU6338 and NJU6331 series is only pin configuration.

FEATURES

- Operating Voltage. -- 4.0~6.0V
- Maximum Oscillation Frequency (See Line-Up Table)
- Low Operating Current
- High Fan-out -- TTL 10
- 3-state Output Buffer
- Selected Frequency Output (mask option)
Only one frequency out of f_o , $f_o/2$, $f_o/4$ and $f_o/8$ output
- Oscillation Capacitors Cg and Cd on-chip
- Oscillation and/or Output Stand-by Function
- Package Outline -- CHIP / EMP 8
- C-MOS Technology

LINE-UP TABLE

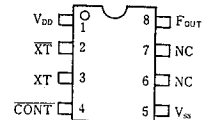
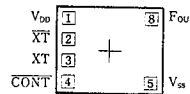
Type No.	Recommended Osc. Freq.	Output Freq.	Cg, Cd
NJU6338A 6338B 6338C 6338D	From 20 to 35MHz	f_o $f_o/2$ $f_o/4$ $f_o/8$	28pF
NJU6338H 6338J 6338K 6338L	From 30 to 50MHz	f_o $f_o/2$ $f_o/4$ $f_o/8$	20pF
NJU6338Q 6338R 6338S 6338T	From 45 to 75MHz	f_o $f_o/2$ $f_o/4$ $f_o/8$	17pF

PACKAGE OUTLINE


NJU6338XC



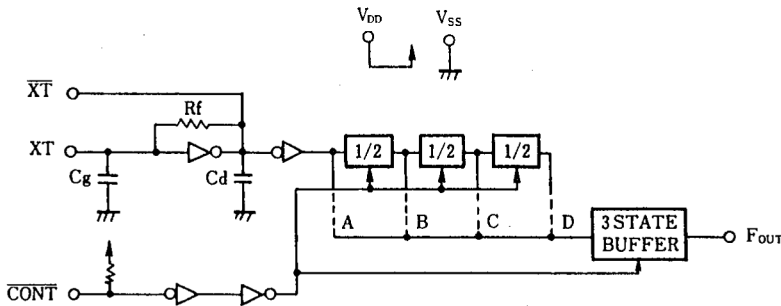
NJU6338XE

PIN CONFIGURATION/PAD LOCATION

COORDINATES

 Unit: μm

No.	PAD	X	Y
1	V _{DD}	-408	248
2	XT	-408	81
3	XT	-408	-86
4	CONT	-408	-248
5	V _{SS}	464	-248
8	F _{OUT}	464	248

Chip Size : 1.29 X 0.8mm
 Chip Center : X=0 μm , Y=0 μm
 Chip Thickness : 400 μm ±30 μm
 (Note) No. 6 and 7 terminals are only for package type information. There are no PAD on the chip.

■ BLOCK DIAGRAM

4
■ TERMINAL DESCRIPTION

NO.	SYMBOL	F U N C T I O N
1	V_{DD}	+ 5V
2	\overline{XT}	Quartz Crystal Connecting Terminals
3	XT	
4	\overline{CONT}	3-State Output Control and Divider Reset
		\overline{CONT} F_{OUT}
		H Output either one frequency from f_o , $f_o/2$, $f_o/4$ and $f_o/8$
	L Output High Impedance and Divider Reset	
5	V_{SS}	GND
8	F_{OUT}	Output either one frequency from f_o , $f_o/2$, $f_o/4$ and $f_o/8$

(Note) Reference the Line-Up Table

■ ABSOLUTE MAXIMUM RATINGS

 ($T_a=25^\circ\text{C}$)

P A R A M E T E R	SYMBOL	R A T I N G S	UNIT
Supply Voltage	V_{DD}	-0.5 ~ +7.0	V
Input Voltage	V_{IN}	$V_{SS}-0.5 \sim V_{DD}+0.5$	V
Output Voltage	V_o	-0.5 ~ $V_{DD}+0.5$	V
Input Current	I_{IN}	± 10	mA
Output Current	I_o	± 25	mA
Power Dissipation	P_D	200 (EMP)	mW
Operating Temperature Range	T_{opr}	-40 ~ + 85	$^\circ\text{C}$
Storage Temperature Range	T_{stg}	-55 ~ +125	$^\circ\text{C}$

 (Note) Decoupling capacitor should be connected between V_{DD} and V_{SS} due to the stabilized operation for the circuit.

■ ELECTRICAL CHARACTERISTICS

 (Ta=25°C, V_{DD}=5V)

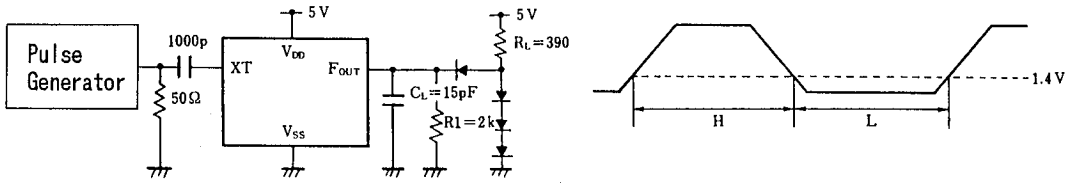
PARAMETER	SYMBOL	CONDITIONS	MIN	TYP	MAX	UNIT
Operating Voltage	V _{DD}		4		6	V
Operating Current	I _{DD1}	A,B,C,D f _{osc} =24MHz, No Load			15	mA
	I _{DD2}	H,J,K,L f _{osc} =48MHz, No Load			20	
	I _{DD3}	Q,R,S,T f _{osc} =48MHz, No Load			25	
Stand-by Current	I _{st}	$\overline{\text{CONT}}, \text{XT}=\text{V}_{\text{SS}}$, No Load (Note)			1	μA
Input Voltage	V _{IH}		3.5		5.0	V
	V _{IL}		0		1.5	
Output Current	I _{OH}	V _{DD} =5V, V _{OH} =4.5V	4			mA
	I _{OL}	V _{DD} =5V, V _{OL} =0.5V	16			
Input Current	I _{IN}	$\overline{\text{CONT}}$ Terminal, $\overline{\text{CONT}}=\text{V}_{\text{SS}}$	125	250	500	μA
3-St Off-leakage Current	I _{oz}	$\overline{\text{CONT}}=\text{V}_{\text{SS}}$, F _{OUT} =V _{SS} and V _{DD}			±0.1	μA
Internal Capacitor	C _g , C _d	A,B,C,D Version, f _{osc} =24MHz		28		pF
		H,J,K,L Version, f _{osc} =48MHz		20		
		Q,R,S,T Version, f _{osc} =48MHz		17		
Maximum Oscillation Frequency	f _{MAX}	A,B,C,D Version	35			MHz
		H,J,K,L Version	50			
		Q,R,S,T Version	75			
Output Signal Symmetry	SYM	C _L =15pF, R _L =390Ω at 1.4V	45	50	55	%
Output Signal Rise Time	t _r	C _L =15pF, R _L =390Ω, 0.4~2.4V			6	ns
Output Signal Fall Time	t _f	C _L =15pF, R _L =390Ω, 2.4~0.4V			4	ns

 Note) Excluding input current on $\overline{\text{CONT}}$ terminal.

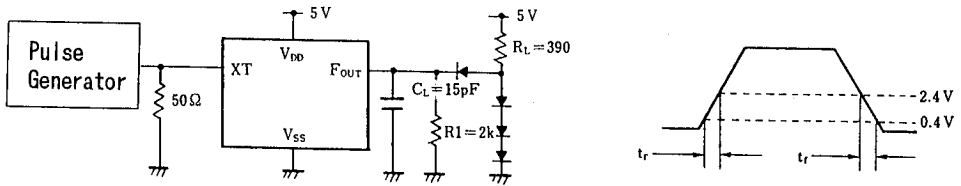
4

■ MEASUREMENT CIRCUITS

(1) Output Signal Symmetry ($C_L=15\text{pF}$)



(2) Output Signal Rise / Fall Time ($C_L=15\text{pF}$)



4

NJU6338 Series

www.DataSheet4U.com

MEMO

[CAUTION]

The specifications on this databook are only given for information, without any guarantee as regards either mistakes or omissions. The application circuits in this databook are described only to show representative usages of the product and not intended for the guarantee or permission of any right including the industrial rights.