

QUARTZ CRYSTAL OSCILLATOR

■ GENERAL DESCRIPTION

The NJU6373 series is a C-MOS quartz crystal oscillator which consists of an oscillation amplifier, 3-stage divider and 3-state output buffer.

This series are classed into three groups A to D, H to L and Q to T according to their oscillation frequency range mentioned in the line-up table.

The oscillation amplifier incorporates feedback resistance and oscillation capacitors (Cg, Cd), therefore, it requires no external component except quartz crystal.

The 3-stage divider generates f_o , $f_o/2$, $f_o/4$ and $f_o/8$ and only one frequency selected by internal circuits is output.

The 3-state output buffer is TTL compatible and capable of 10 TTL driving.

The NJU6373 series is suitable for the 3rd Over Tone and its pad location is the same as NJU6322 series.

■ FEATURES

- Operating Voltage. -- 4.0~6.0V
- Maximum Oscillation Frequency (See Line-Up Table)
- Low Operating Current
- High Fan-out -- TTL 10
- 3-state Output Buffer
- Selected Frequency Output (mask option)
Only one frequency out of f_o , $f_o/2$, $f_o/4$ and $f_o/8$ output
- Oscillation Capacitors Cg and Cd on-chip
- Oscillation and/or Output Stand-by Function
- Package Outline -- CHIP/EMP 8
- C-MOS Technology

■ LINE-UP TABLE

Type No.	Recommended Osc. Freq.	Output Freq.	Cg, Cd
NJU6373A 6373B 6373C 6373D	From 20 to 35MHz	f_o $f_o/2$ $f_o/4$ $f_o/8$	28pF
NJU6373H 6373J 6373K 6373L	From 30 to 50MHz	f_o $f_o/2$ $f_o/4$ $f_o/8$	20pF
NJU6373Q 6373R 6373S 6373T	From 45 to 75MHz	f_o $f_o/2$ $f_o/4$ $f_o/8$	17pF

■ PACKAGE OUTLINE

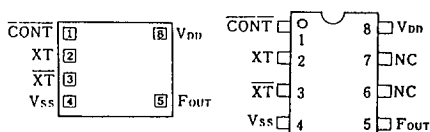


NJU6373XC



NJU6373XE

■ PIN CONFIGURATION/PAD LOCATION



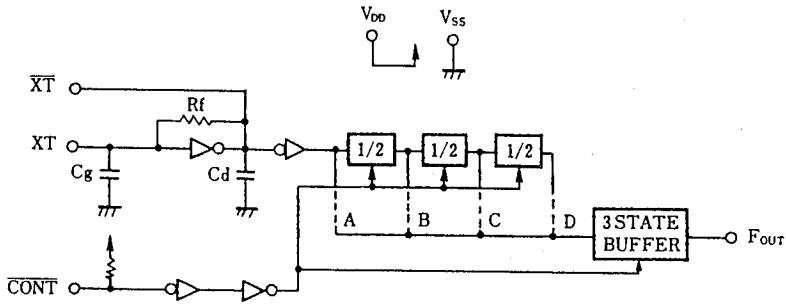
■ COORDINATES

 Unit: μm

No.	PAD	X	Y
1	CONT	-408	248
2	XT	-408	81
3	XT	-408	-86
4	VSS	-408	-248
5	FOUT	464	-248
6	NC	-	-
7	NC	-	-
8	VDD	464	248

Chip Size : 1.29 X 0.8mm
 Chip Center : X=0 μm , Y=0 μm
 Chip Thickness : 400 $\mu\text{m} \pm 30 \mu\text{m}$
 (Note) No. 6 and 7 terminals are only for package type information. There are no PAD on the chip.

■ BLOCK DIAGRAM



■ TERMINAL DESCRIPTION

NO.	SYMBOL	F U N C T I O N
1	$\overline{\text{CONT}}$	3-State Output Control and Divider Reset
		$\overline{\text{CONT}}$ F_{OUT}
		H Output either one frequency from f_0 , $f_0/2$, $f_0/4$ and $f_0/8$
		L Output High Impedance and Divider Reset
2	XT	Quartz Crystal Connecting Terminals
3	$\overline{\text{XT}}$	
5	F_{OUT}	Output either one frequency from f_0 , $f_0/2$, $f_0/4$ and $f_0/8$
8	V_{DD}	+ 5V
4	V_{SS}	GND

ABSOLUTE MAXIMUM RATINGS

(Ta=25°C)

PARAMETER	SYMBOL	RATINGS	UNIT
Supply Voltage	V _{DD}	-0.5 ~ +7.0	V
Input Voltage	V _{IN}	V _{SS} -0.5 ~ V _{DD} +0.5	V
Output Voltage	V _O	-0.5 ~ V _{DD} +0.5	V
Input Current	I _{IN}	±10	mA
Output Current	I _O	±25	mA
Power Dissipation (EMP)	P _D	200	mW
Operating Temperature Range	T _{opr}	-40 ~ + 85	°C
Storage Temperature Range	T _{stg}	-55 ~ +125	°C

Note) Decoupling capacitor should be connected between V_{DD} and V_{SS} due to the stabilized operation for the circuit.

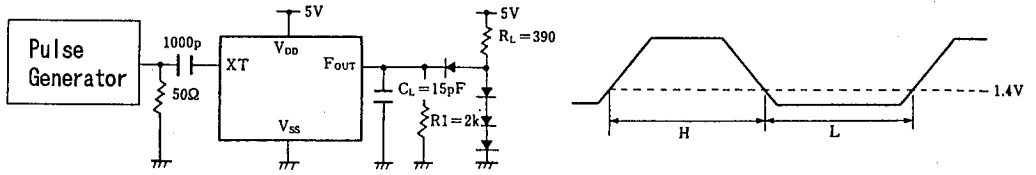
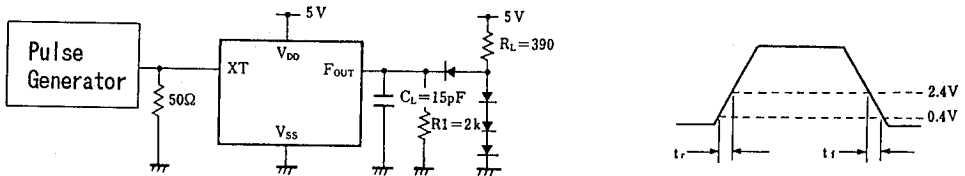
ELECTRICAL CHARACTERISTICS

 (Ta=25°C, V_{DD}=5V)

PARAMETER	SYMBOL	CONDITIONS	MIN	TYP	MAX	UNIT
Operating Voltage	V _{DD}		4		6	V
Operating Current	I _{DD1}	A,B,C,D f _{OSC} =24MHz, No Load			15	mA
	I _{DD2}	H,J,K,L f _{OSC} =48MHz, No Load			25	
	I _{DD3}	Q,R,S,T f _{OSC} =48MHz, No Load			28	
Stand-by Current	I _{st}	CONT, XT=V _{SS} , No Load (Note)			1	μA
Input Voltage	V _{IH}		3.5		5.0	V
	V _{IL}		0		1.5	
Output Current	I _{OH}	V _{OH} =4.5V	4			mA
	I _{OL}	V _{OL} =0.5V	16			
Input Current	I _{IN}	CONT Terminal, CONT=V _{SS}	125	250	500	μA
3-St Off-leakage Current	I _{oz}	CONT=V _{SS} , F _{OUT} =V _{SS} or V _{DD}			±0.1	μA
Internal Capacitor	C _g , C _d	A,B,C,D Version, f _{OSC} =24MHz		28		pF
		H,J,K,L Version, f _{OSC} =48MHz		20		
		Q,R,S,T Version, f _{OSC} =48MHz		17		
Max. Oscillation Freq.	f _{MAX}	A,B,C,D Version	35			MHz
		H,J,K,L Version	50			
		Q,R,S,T Version	75			
Output Signal Symmetry	SYM	C _L =15pF, R _L =390Ω at 1.4V	45	50	55	%
Output Signal Rise Time	t _r	C _L =15pF, R _L =390Ω, 2.4V-0.4V			6	ns
Output Signal Fall Time	t _f	C _L =15pF, R _L =390Ω, 2.4V-0.4V			4	ns

Note) Excluding input current on CONT terminal.

MEASUREMENT CIRCUITS

 (1) Output Signal Symmetry ($C_L=15\text{pF}$, $R_L=390\Omega$)

 (2) Output Signal Rise/Fall Time ($C_L=15\text{pF}$, $R_L=390\Omega$)


NJU6373 Series

www.DataSheet4U.com

MEMO

[CAUTION]

The specifications on this databook are only given for information, without any guarantee as regards either mistakes or omissions. The application circuits in this databook are described only to show representative usages of the product and not intended for the guarantee or permission of any right including the industrial rights.