

BBE[®]

SOUND PROCESSOR with SOUND ENHANCEMENT

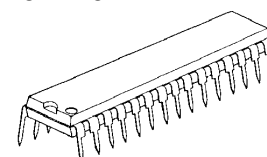
■ GENERAL DESCRIPTION

The **NJW1132** is a sound processor with sound enhancement (BBE). It includes all of functions processing audio signal for TV, such as tone control, balance, volume, mute, and AGC functions.

Also the **NJW1132** performs surround and sound enhancement. The sound enhancement regenerates high definitive and nearly real sound.

All of internal status and variables are controlled by I²C BUS interface.

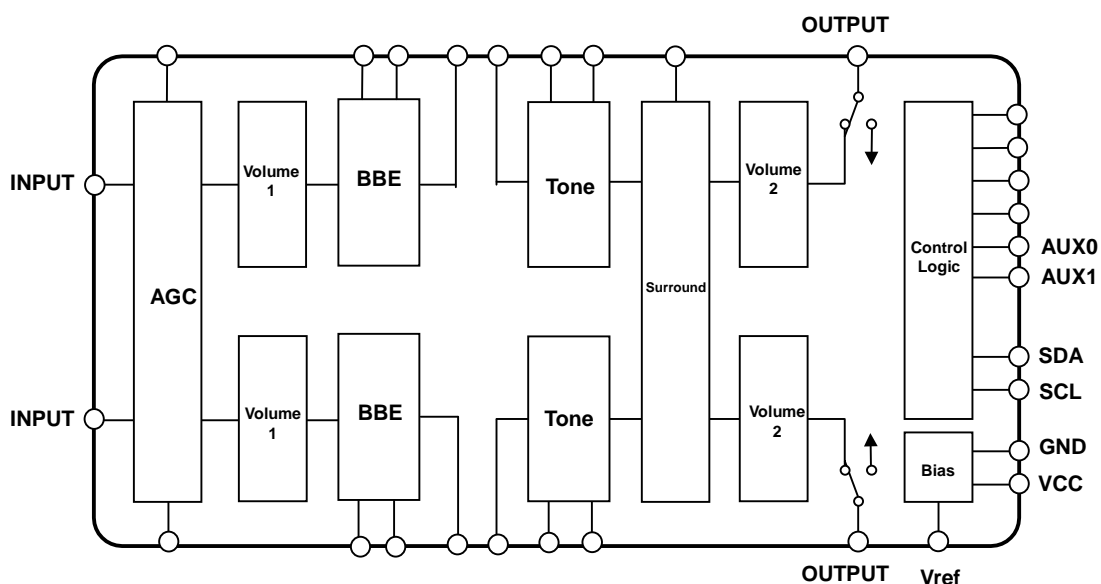
■ PACKAGE OUTLINE


NJW1132M

NJW1132L

■ FEATURES

- Operating Voltage (8 to 13V)
- I²C BUS Interface
- BBE Sound Enhancement (Low Boost and High Boost: 15dB max.)
- The AGC circuit reduces volume difference among input sources.
- Matrix Surround
- Bi-CMOS Technology
- Package Outline SDIP30,SDMP30

■ BLOCK DIAGRAM



NJW1132

■ PIN FUNCTION

Ach Input	1	INa	INb	30	Bch Input
Ach BBE Filter1	2	BBE1a	BBE1b	29	Bch BBE Filter1
Ach BBE Filter2	3	BBE2a	BBE2b	28	Bch BBE Filter2
Ach BBE Output	4	BBEout_a	BBEout_b	27	Bch BBE Output
Ach Tone Input	5	Tone_INa	Tone_INb	26	Bch Tone Input
Ach High Frequency	6	TONE-Ha	TONE-Hb	25	Bch High Frequency
Ach Low Frequency	7	TONE-La	TONE-Lb	24	Bch Low Frequency
Ach Output (0dB)	8	OUTa	OUTb	23	Bch Output(0dB)
AGC1	9	AGC1	PS	22	Phase Shift
AGC2	10	AGC2	VREF	21	Reference Voltage
DAC Output for Bch Volume & Balance	11	CVB	CTH	20	DAC Output for Tone High Frequency
DAC Output for Ach Volume & Balance	12	CVA	CTL	19	DAC Output for Tone Low Frequency
I ² C BUS SDA	13	SDA	AUX0	18	AUX Output0
I ² C BUS SCL	14	SCL	AUX1	17	AUX Output1
GND	15	GND	Vcc	16	Power Supply

SDIP30, SDMP30

■ ABSOLUTE MAXIMUM RATING (Ta=25°C)

PARAMETER	SYMBOL	RATING	UNIT
Supply Voltage	V ⁺	14	V
Power Dissipation	P _D	700	mW
Operating Temperature Range	Topr	-20 to +75	°C
Storage Temperature Range	Tstg	-40 to +125	°C

■ ELECTRICAL CHARACTERISTICS (Ta=25°C, V+=9V, Rg=600Ω, RL=47kΩ, Vin=100mVrms/1kHz)

PARAMETER	SYMBOL	TEST CONDITION	MIN.	TYP.	MAX.	UNIT
Operating Voltage	V ⁺		8.0	9.0	13.0	V
Supply Current	I _{CC}	No Signal	-	30	50	mA
Reference Voltage	V _{REF}	No Signal	4.0	4.5	5.0	V
Maximum Input Voltage	V _{IM}	VOL=C3H, THD=1%	2.6	2.8	-	Vrms
Maximum Output Voltage	V _{OM1}	OUTPUT VOL=FFH, THD=1%	-	2.5	-	Vrms
Channel Balance	G _{CB}	VOL=FFH	-1.5	0.0	1.5	dB
Balance Boost A	BA _{BST}	BAL="00000"	-2.0	0.0	2.0	dB
Balance Cut A	BA _{CUT}	BAL="11111"	-	-	-70	dB
Balance Boost B	BB _{BST}	BAL="00000"	-2.0	0.0	2.0	dB
Balance Cut B	BB _{CUT}	BAL="11111"	-	-	-70	dB
Total Harmonic Distortion	THD	V _o =0.5Vrms BW=400Hz to 30kHz	-	-	0.5	%
Mute Level	MUTE	VOL=00H	-	-	-70	dB
Channel Separation	CS	Vin=2Vrms	-	-	-70	dB
Output Noise 1	V _{NO1}	VOL=FFH BW=400Hz to 30kHz	-	-	-60 (1.0)	dBV (mVrms)
Output Noise 2	V _{NO2}	VOL=00H BW=400Hz to 30kHz	-	-90 (31.6)	-82 (79.4)	dBV (uVrms)

NJW1132

● TONE CONTROL

PARAMETER	SYMBOL	TEST CONDITION	MIN.	TYP.	MAX.	UNIT
High Frequency Boost	HF _{BST}	TREB="1111",f=10kHz	12.5	15.0	17.5	dB
High Frequency Flat	HF _{FLT}	TRBE="0000",f=10kHz	-2.0	0.0	2.0	dB
High Frequency Cut	HF _{CUT}	TRBE="1111",f=10kHz	-12.5	-15.0	-17.5	dB
Low Frequency Boost	LF _{BST}	BASS="1111",f=100Hz	12.5	15.0	17.5	dB
Low Frequency Flat	LF _{FLT}	BASS="0000",f=100Hz	-2.0	0.0	2.0	dB
Low Frequency Cut	LF _{CUT}	BASS="1111",f=100Hz	-12.5	-15.0	-17.5	dB
High Frequency Cut DC Offset1	HF _{DC1}	TREB="1111"→"0000"	-1.0	0.0	1.0	V
High Frequency Boost DC Offset2	HF _{DC2}	TREB="1111"→"0000"	-1.0	0.0	1.0	V
Low Frequency Cut DC Offset1	LF _{DC1}	BASS="1111"→"0000"	-1.0	0.0	1.0	V
Low Frequency Boost DC Offset2	LF _{DC2}	BASS="1111"→"0000"	-1.0	0.0	1.0	V

● SUB-TONE CONTROL

PARAMETER	SYMBOL	TEST CONDITION	MIN.	TYP.	MAX.	UNIT
High Frequency Boost	SHF _{BST}	SUB-TREB="11",f=10kHz	2.0	3.0	4.0	dB
High Frequency Flat	SHF _{FLT}	SUB-TREB="00",f=10kHz	-2.0	0.0	2.0	dB
High Frequency Cut	SHF _{CUT}	SUB-TREB="11",f=10kHz	-4.0	-3.0	-2.0	dB
Low Frequency Boost	SLF _{BST}	SUB-BASS="11",f=100Hz	2.0	3.0	4.0	dB
Low Frequency Flat	SLF _{FLT}	SUB-BASS="00",f=100Hz	-2.0	0.0	2.0	dB
Low Frequency Cut	SLF _{CUT}	SUB-BASS="11",f=100Hz	-4.0	-3.0	-2.0	dB

● AGC CONTROL: AGC=1H (AGC-ON)

PARAMETER	SYMBOL	TEST CONDITION	MIN.	TYP.	MAX.	UNIT
AGC BOOST 1	AGC _{BST1}	Vin=10mVrms	0.0	2.5	5.0	dB
AGC BOOST 2	AGC _{BST2}	Vin=50mVrms	5.0	7.0	10.0	dB
AGC FLAT	AGC _{FLT}	Vin=200mVrms	-2.5	0.0	2.5	dB
AGC CUT	AGC _{CUT}	Vin=2Vrms	-24	-20	-16	dB

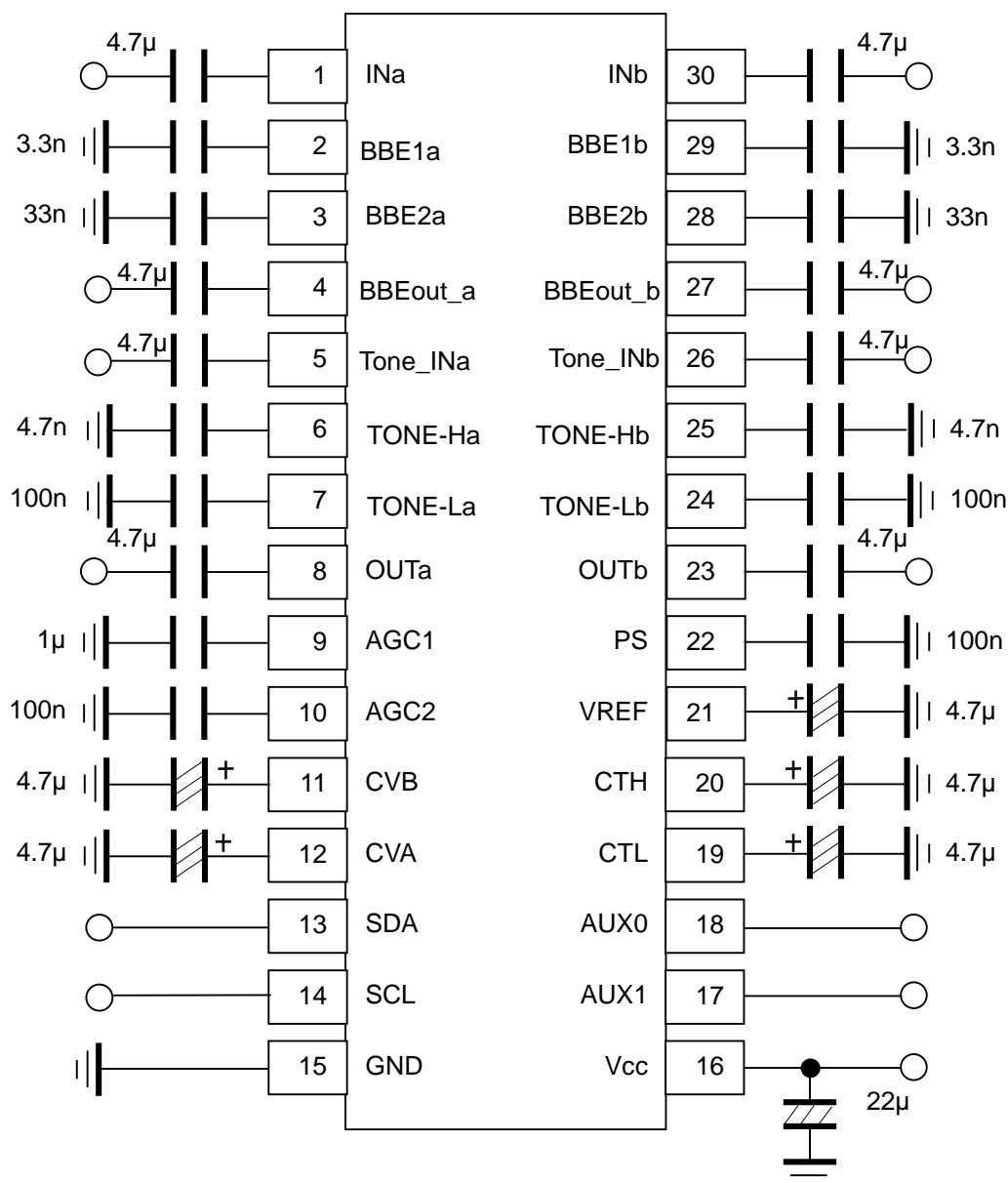
● SURROUND CONTROL: MODE=1H (SURROUND-ON)

PARAMETER	SYMBOL	TEST CONDITION	MIN.	TYP.	MAX.	UNIT
SURROUND MIX 1	SR _{MIX1}	Ain → Bout	-2.0	0.0	2.0	dB
SURROUND MIX 2	SR _{MIX2}	Bin → Aout	-2.0	0.0	2.0	dB
SURROUND DEF	SR _{DEF}	Ain-Bin(-180deg)	8.0	10.0	12.0	dB
DC Offset	SR _{DC}	MODE="0" → "1"	-1.0	0.0	1.0	V

● BBE =1H (BBE-ON)

PARAMETER	SYMBOL	TEST CONDITION	MIN.	TYP.	MAX.	UNIT
BBE low Frequency Boost Range	BBE _{LOW}	BBE-Low="1111"	-	15.0	-	dB
BBE High Frequency Boost Range	BBE _{HIGH}	BBE-High="1111"	-	15.0	-	dB

■ APPLICATION CIRCUIT

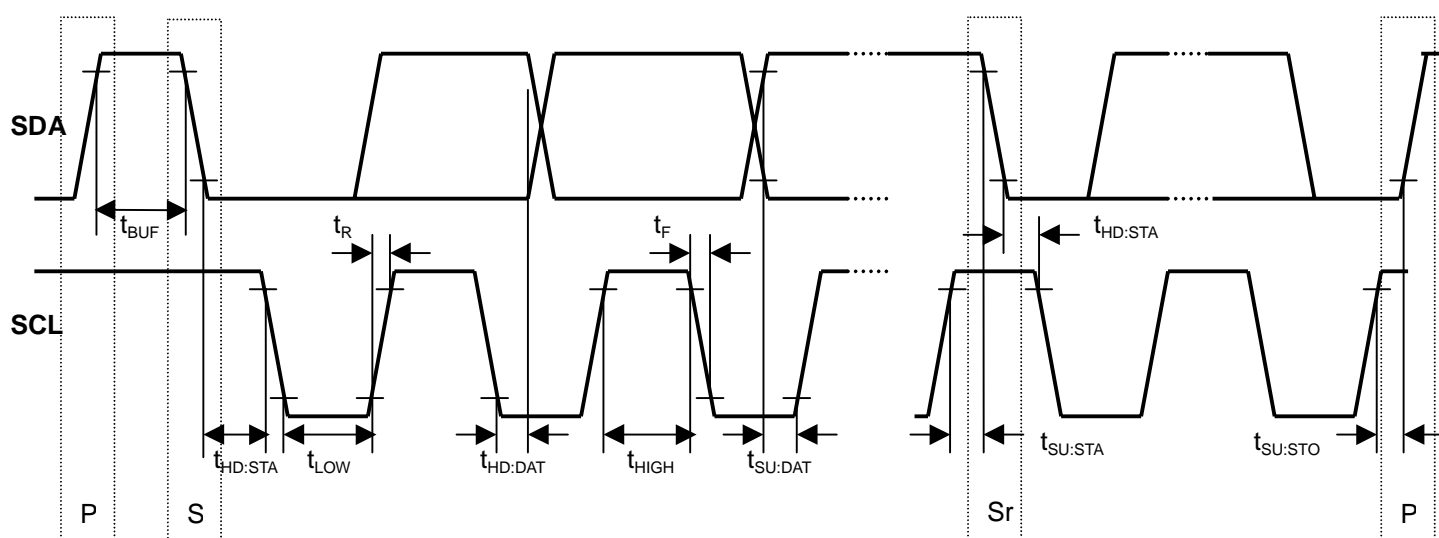


NJW1132

■ I²C BUS Block CHARACTERISTICS (SDA,SCL)

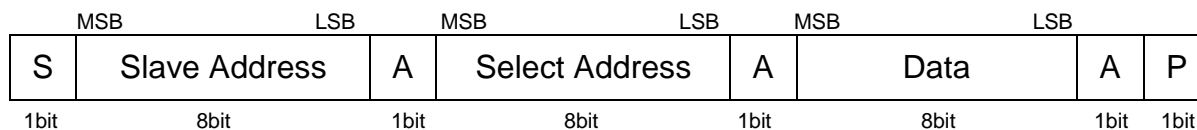
PARAMETER	SYMBOL	MIN.	TYP.	MAX.	UNIT
High Level Input Voltage	V_{IH}	3.0	-	5.0	V
Low Level Input Voltage	V_{IL}	0	-	1.5	V
High Level Input Current	I_{IH}	-	-	10	μ A
Low Level Input Current	I_{IL}	-	-	10	μ A
Low Level Output Voltage (3mA at SDA pin)	V_{OL}	0	-	0.4	dB
Maximum Output Current	I_{OL}	-3.0	-	-	mA
Maximum Clock Frequency	f_{SCL}	0	-	100	kHz
Data Change Minimum Waiting Time	t_{BUF}	4.7	-	-	μ S
Data Transfer Start Minimum Waiting Time	$t_{HD:STA}$	4.0	-	-	μ S
Low Level Clock Pulse Width	t_{LOW}	4.7	-	-	μ S
High Level Clock Pulse Width	T_{HIGH}	4.0	-	-	μ S
Minimum Start Preparation Waiting Time	$t_{SU:STA}$	4.7	-	-	μ S
Minimum Data Hold Time	$t_{HD:DAT}$	5.0	-	-	μ S
Minimum Data Preparation Time	$t_{SU:DAT}$	250	-	-	nS
Rise Time	t_R	-	-	1.0	μ S
Fall Time	t_F	-	-	300	nS
Minimum Stop Preparation Waiting Time	$t_{SU:STO}$	4.7	-	-	μ S

I²C BUS Load Condition: Pull up resistance 4k Ω (Connected to +5V)
Load capacitance 200pF (Connected to GND)



■ DEFINITION OF I²C REGISTER

● I²C BUS FORMAT



S: Starting Term
 A: Acknowledge Bit
 P: Ending Term

● SLAVE ADDRESS

MSB							LSB
1	0	0	0	0	0	1	R/W

R/W=0: Receive Only

● CONTROL REGISTER TABLE

Select Address	BIT							
	D7	D6	D5	D4	D3	D2	D1	D0
00H	VOL							
01H	CHS	BAL					AGC	SUR
02H	BCB	BASS			BCSB	SUB-BASS		
03H	BCT	TREB			BCST	SUB-TREB		
04H	BBE-Low				BBE-High			
05H	OUT	*			Reserved*		AUX1	AUX0

* : Don't care.

● CONTROL REGISTER DEFAULT VALUE

Select Address	BIT							
	D7	D6	D5	D4	D3	D2	D1	D0
00H	0	0	0	0	0	0	0	0
01H	0	0	0	0	0	0	0	0
02H	0	0	0	0	0	0	0	0
03H	0	0	0	0	0	0	0	0
04H	0	0	0	0	0	0	0	0
05H	0	0	0	0	0	0	0	0

NJW1132

● CONTROL COMMAND TABLE

Select Address	BIT								REMARKS
	D7	D6	D5	D4	D3	D2	D1	D0	
00H	VOL								VOL : Volume control for both Ach and Bch (0.33dB/step) Ex.) FFH=0dB FEH=-0.33dB FDH=-0.66dB FCH=-1.0dB : : 03H=-84dB 00H=MUTE The Volume is consisted of volume1 and volume 2. The volume level is divided into half to each volum1 and volume2. Ex.) volume level = -30dB (volume 1 =-15dB,volume 2=-15dB)
		F					F		
		F					E		
		F					D		
		F					C		
		:					:		
		:					:		
		0					3		
01H	CHS	BAL					AGC	SUR	CHS : Channel select for Balance control "0"=Ach "1"=Bch BAL : Balance control for both Ach and Bch (1dB/step) Ex.) "00000"=0dB "00001"=-1dB : : "11110"=-30dB "11111"=MUTE The Balance is consisted of volume1 and volume 2. The Balance level is divided into half to each volum1 and volume2. AGC : AGC switch "0"=AGC OFF "1"=AGC ON SUR : Surround mode switch "0"=Surround OFF "1"=Surround ON
	0/1	0	0	0	0	0	0/1	0/1	
		0	0	0	0	1			
		0	0	0	1	0			
		0	0	0	1	1			
		:							
		:							
		:							
1	1	1	0	0					
1	1	1	0	1					
1	1	1	1	0					
1	1	1	1	1					
02H	BCB	BASS				BCSB	SUB-BASS		BCB : Boost-cut select for Bass control "0"=Cut "1"=Boost BASS : Bass control (1dB/step) Ex.) "0000"=0dB "0001"=1dB : : "1110"=14dB "1111"=15dB BCSB : Boost-cut select for Sub-Bass control "0"=Cut "1"=Boost SUB-BASS : Sub-Bass control (1dB/step) "00"=0dB "01"=1dB "10"=2dB "11"=3dB
	0/1	0	0	0	0	0/1	0	0	
		0	0	0	1		0	1	
		0	0	1	0		1	0	
		0	0	1	1		1	1	
		:							
		:							
		:							
1	1	0	0						
1	1	0	1						
1	1	1	0						
1	1	1	1						
03H	BCT	TREB				BCST	SUB-TREB		BCT : Boost-cut select for Treble control "0"=Cut "1"=Boost TREB : Treble control (1dB/step) Ex.) "0000"=0dB "0001"=1dB : : "1110"=14dB "1111"=15dB BCST : Boost-cut select for Sub-Treble control "0"=Cut "1"=Boost SUB-TREB : Sub-Treble control (1dB/step) "00"=0dB "01"=1dB "10"=2dB "11"=3dB
	0/1	0	0	0	0	0/1	0	0	
		0	0	0	1		0	1	
		0	0	1	0		1	0	
		0	0	1	1		1	1	
		:							
		:							
		:							
1	1	0	0						
1	1	0	1						
1	1	1	0						
1	1	1	1						

● CONTROL COMMAND TABLE

Select Address	BIT								REMARKS
	D7	D6	D5	D4	D3	D2	D1	D0	
04H	BBE-Low				BBE-High				BBE-Low : Boost level control for BBE Lo-Contour (1dB/step) Ex.) "0000"=0dB "0001"=1dB : "1110"=14dB "1111"=15dB BBE-High : Boost level control for BBE Process (1dB/step) Ex.) "0000"=0dB "0001"=1dB : "1110"=14dB "1111"=15dB When all bits are "0"(=00H), BBE becomes off.
	0	0	0	0	0	0	0	0	
	0	0	0	1	0	0	0	1	
	0	0	1	0	0	0	1	0	
	:	:	:	:	:	:	:	:	
	:	:	:	:	:	:	:	:	
	1	1	0	1	1	1	0	1	
	1	1	1	0	1	1	1	0	
1	1	1	1	1	1	1	1		
05H	OUT	SEL		Reserved		AUX1	AUX2		OUT : ON / OFF switch for OUTPUT "0"=OFF "1"=ON AUX1/AUX2 : Auxiliary port ON/OFF "0"=OFF "1"=ON
	0/1	don't care		don't care		0/1	0/1		

■NOTE

The **NJW1132** is manufactured by New Japan Radio Co., Ltd. under license from BBE Sound Inc.

BBE is a registered trademark of BBE Sound Inc.

A license from BBE Sound Inc. is required before the **NJW1132** can be purchased from New Japan Radio Co.,Ltd.

Purchase of I²C components of New Japan Radio Co., Ltd or one of its sublicensed Associated Companiesconveys a license under the Philips I²C Patent Rights to use these components in an I²C system, provided thatthe system conforms to the I²C Standard Specification as defined by Philips.

BBE Sound, Inc.
 5381 Production Drive
 Huntington Beach, CA 92649
 Tel:(714)897-6766
 Fax:(714)896-0736

[CAUTION]
 The specifications on this databook are only given for information , without any guarantee as regards either mistakes or omissions. The application circuits in this databook are described only to show representative usages of the product and not intended for the guarantee or permission of any right including the industrial rights.