



Low-Voltage 2-channel Electronic Volume with ealaBASS

■GENERAL DESCRIPTION

The **NJW1200** is a low-voltage 2-channel Electronic Volume with ealaBASS. It includes main volume, 2 stereo inputs selector (Differential Input), 2nd Order HPF. And It performs NJRC original dynamic bass boost technology "ealaBASS" provides graceful bass sound with low distortion.

The **NJW1200** performs low noise and low distortion characteristics with resistance ladder type electrical volume.

The **NJW1200** operates on low supply voltage. And It includes power save function. Therefore, it is suitable for low voltage supply portable systems.

All of internal status and variables are controlled by I²C BUS interface.

■PACKAGE OUTLINE

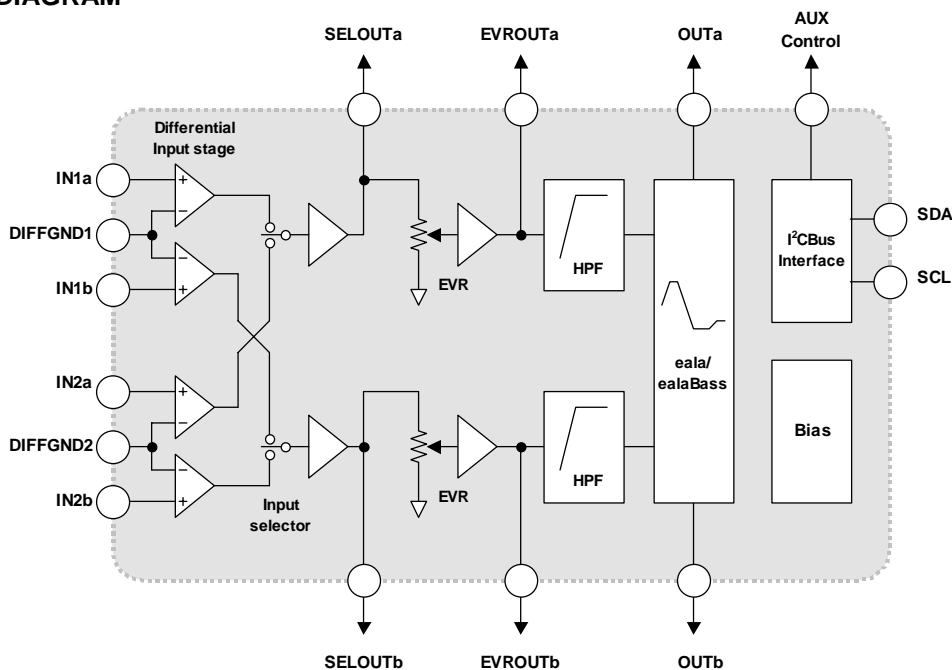


NJW1200V

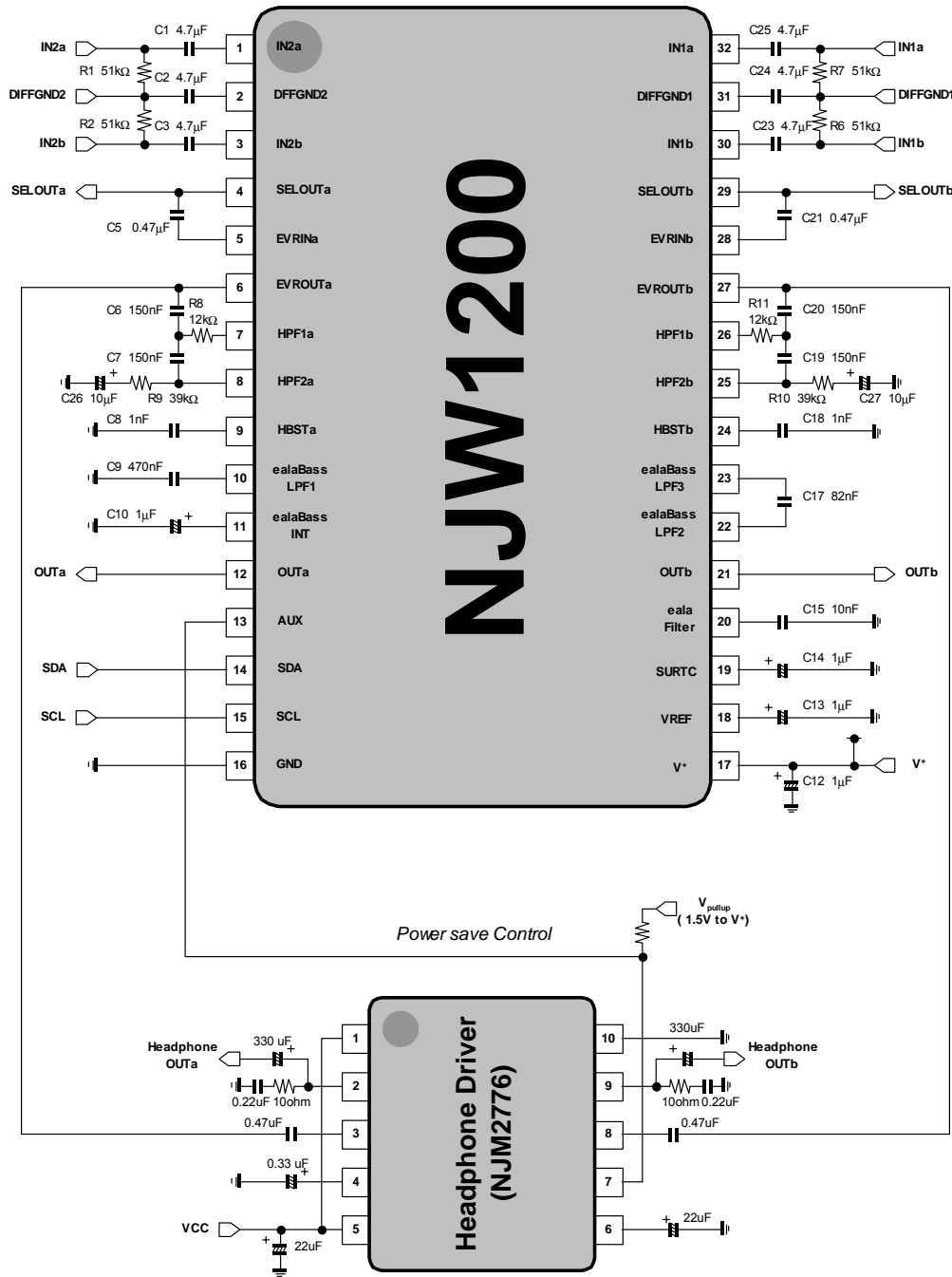
■FEATURES

- Operating Voltage 2.7 to 5.5V
- Low Consumption 3mA typ.
- Power Save Function 120μA typ.
- I²C BUS Interface
- ealaBASS (Dynamic Bass Boost)
- eala (Surround Sound for stereo source) & eala MONO (Surround Sound for monaural source)
- Low Output Noise -100dBV typ.
- Low Distortion 0.07% typ.
- Main Volume 0 to -78dB / 2dB step, Mute
- 2 stereo Inputs Selector (Differential Input)
- 2nd Order HPF
- Bi-CMOS Technology
- Package Outline SSOP32

■BLOCK DIAGRAM



■ Application Circuit



[CAUTION]
 The specifications on this databook are only given for information, without any guarantee as regards either mistakes or omissions. The application circuits in this databook are described only to show representative usages of the product and not intended for the guarantee or permission of any right including the industrial rights.