

1ch Video Amplifier & 2Vrms Ground Referenced Stereo Line Amplifier

■ GENERAL DESCRIPTION

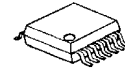
The NJW1230 is an audio line Amplifier with 1ch video amplifier.

Audio line amplifier can swing 2Vrms (5.6V peak-to-peak) signal at 3.3V operating voltage.

Ground-referenced outputs eliminate output coupling capacitor. The pop noise suppression circuit removes a pop noise at the power-on and power-off.

Video amplifier contained LPF circuit. Internal 75Ω driver is easy to connect TV monitor directly.

■ PACKAGE OUTLINE



NJW1230V

■ APPLICATION

- Blu-ray/DVD player
- Home theater/Set top box
- AV receiver

■ FEATURES

- Operating Voltage 2.7 to 3.6V
- Power Save circuit
- Package Outline SSOP16

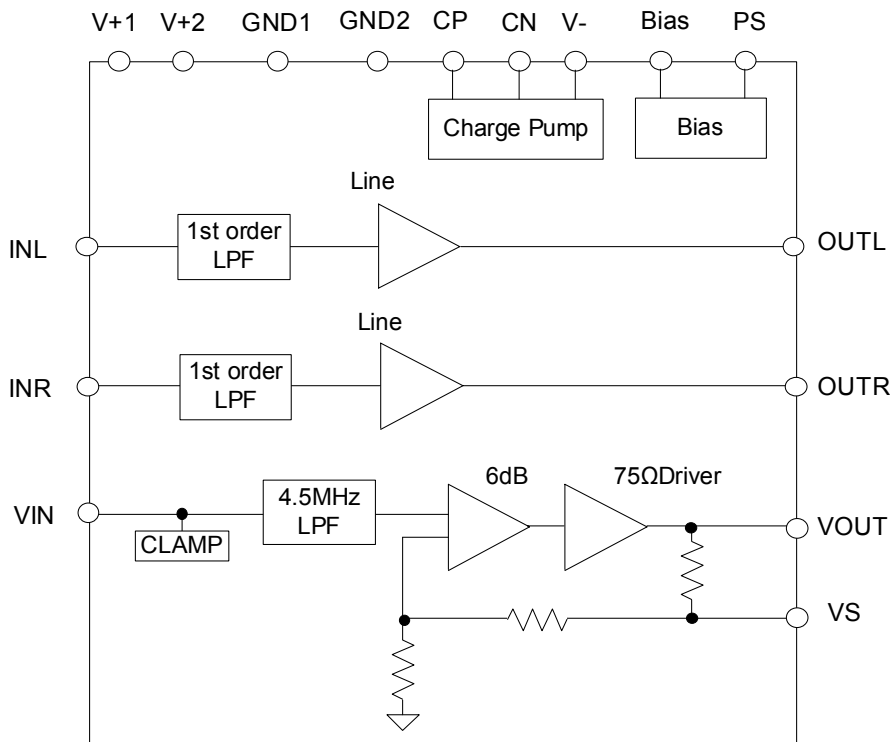
Audio block

- Output Coupling Capacitor-less
- Pop Noise Suppression Circuit

Video block

- LPF 4.5MHz
- 6dB Amplifier
- 75Ω Driver (2-system drive)

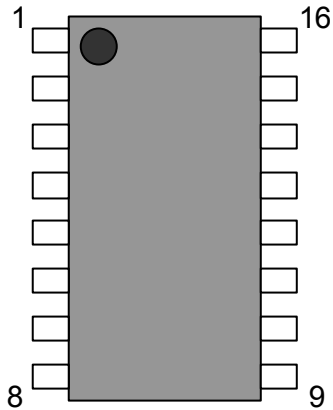
■ BLOCK DIAGRAM



NJW1230

■ PIN CONFIGURATION

SSOP16



No.	Symbol	Function
1	V+1	V+ Power Supply for Audio
2	CP	Flying Capacitor Positive Terminal for Audio
3	CN	Flying Capacitor Negative Terminal for Audio
4	V-	V- Power Supply for Audio
5	MUTE	Mute / Pop Noise Suppression for Audio
6	GND1	Ground for Audio
7	VIN	Video Input
8	VS	Sag Correction
9	VOUT	Video Output
10	PS	Power save for Video
11	GND2	Ground for Video
12	V+2	V+ Power Supply for Video
13	OUTR	Rch Output
14	INR	Rch Input
15	INL	Lch Input
16	OUTL	Lch Output

■ ABSOLUTE MAXIMUM RATING (Ta=25°C)

PARAMETER	SYMBOL	RATING	UNIT
Supply voltage	V ⁺	4	V
Power Dissipation	P _D	430 ^(Note1)	mW
Maximum Input Voltage	V _{IN}	-0.3 to V ⁺ +0.3	V
Operating Temperature Range	Topr	-40 to +85	°C
Storage Temperature Range	Tstg	-40 to +125	°C

(Note1) EIA/JEDEC STANDARD Test board (76.2x114.3x1.6mm, 2layer, FR-4) mounting

■ RECOMMENDED OPERATING CONDITIONS (Ta=25°C unless otherwise specified)

PARAMETER	SYMBOL	TEST CONDITION	MIN.	TYP.	MAX.	UNIT
Operating voltage	V ⁺¹	1pin	2.7	3.3	3.6	V
	V ⁺²	12pin	2.7	3.3	3.6	

■ ELECTRICAL CHARACTERISTICS

◆ AUDIO CHARACTERISTICS

(Ta=25°C, V⁺=3.3V, f=1kHz, Vin=1Vrms, Mute=OFF, R_L=47kΩ unless otherwise specified)

PARAMETER	SYMBOL	TEST CONDITION	MIN.	TYP.	MAX.	UNIT
Operating Current	I _{DD}	No signal	-	5	10	mA
Output Gain	G _V		5.2	6.2	7.2	dB
Output Gain Error	ΔG _V		-0.5	0	0.5	dB
Maximum Output Voltage Level	V _{OMAX}	THD=1%	-	2.2	-	Vrms
Mute Level	V _{MUTE}	Rg=0Ω, MUTE=ON	-	-110	-	dB
Equivalent Input Noise Voltage	V _{NO}	Rg=0Ω, BW:400Hz-22kHz	-	-106	-	dB
Total Harmonic Distortion	THD	BW:400Hz-22kHz	-	0.003	-	%
Channel Separation	CS	Rg=600Ω	80	-	-	dB
Cut-off Frequency	f _C	2 nd LPF	100	150	200	kHz
Output Offset Voltage	V _{OS}	Rg=0Ω	-	1	5	mV
Power Supply Rejection Ratio	PSRR	Vripple=1kHz / 100mVrms	-	45	-	dB
MUTE High Level	MuteH	Mute=OFF	0.8V ⁺	-	V ⁺	V
MUTE Low Level	MuteL	Mute=ON	0	-	0.2V ⁺	V

◆ CONTROL CHARACTERISTICS

PARAMETER	STATUS	NOTE
M U T E	H	OFF (Active)
	L	ON (Mute)

NJW1230

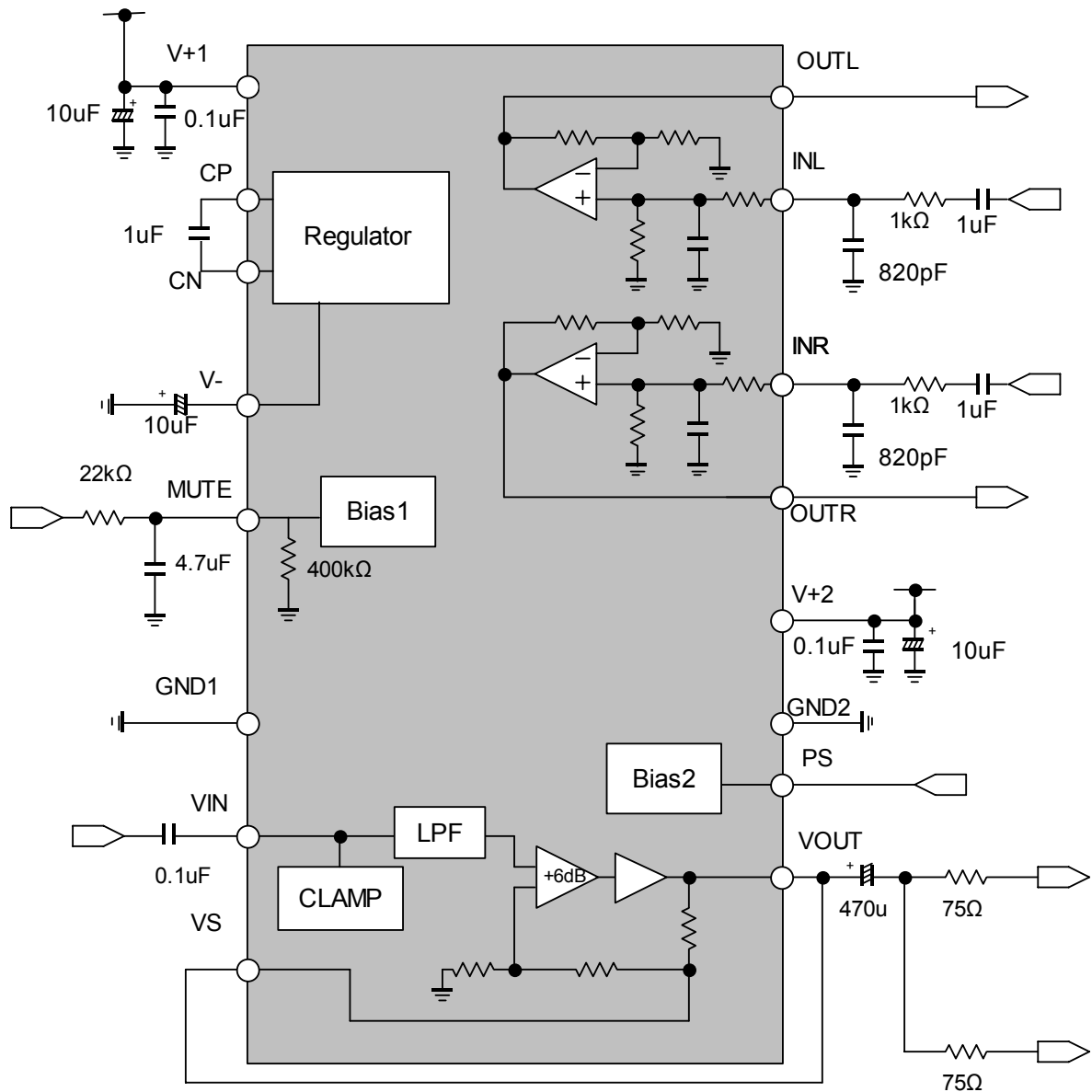
◆ VIDEO CHARACTERISTICS (Ta=25°C, V⁺=3.3V, R_L=150Ω, unless otherwise specified)

PARAMETER	SYMBOL	TEST CONDITION	MIN.	TYP.	MAX.	UNIT
Operating Current	I _{CC}	No Signal	-	8.0	12.0	mA
Operating Current at Power Save	I _{save}	No Signal, Power Save Mode	-	30	50	μA
Maximum Output Voltage Swing	V _{om}	f=100kHz, THD=1%	2.2	2.5	-	Vp-p
Voltage Gain	G _v	V _{in} =100kHz, 1.0Vp-p, Input Sine Signal	5.6	6.0	6.4	dB
Low Pass Filter Characteristic	G _{fy4.5M}	V _{in} =4.5MHz/100kHz, 1.0Vp-p	-0.6	-0.1	0.4	
	G _{fy19M}	V _{in} =19MHz/100kHz, 1.0Vp-p	-	-33	-23	
Differential Gain	DG	V _{in} =1.0Vp-p, 10step Video Signal	-	0.5	-	%
Differential Phase	DP	V _{in} =1.0Vp-p, 10step Video Signal	-	0.5	-	deg
S/N Ratio	SN _v	V _{in} =1.0Vp-p, R _L =75Ω 100% White Video Signal, 100kHz to 6MHz	-	65	-	dB
Power save High Level	V _{thH}	Active	1.8	-	V ⁺	V
Power save Low Level	V _{thL}	Non-active	0	-	0.3	

◆ CONTROL CHARACTERISTICS

PARAMETER	STATUS	NOTE
Power Save	H	Power Save: OFF(Active)
	L	Power Save: ON (Mute)

APPLICATION CIRCUIT 1 (Video output is AC coupling)

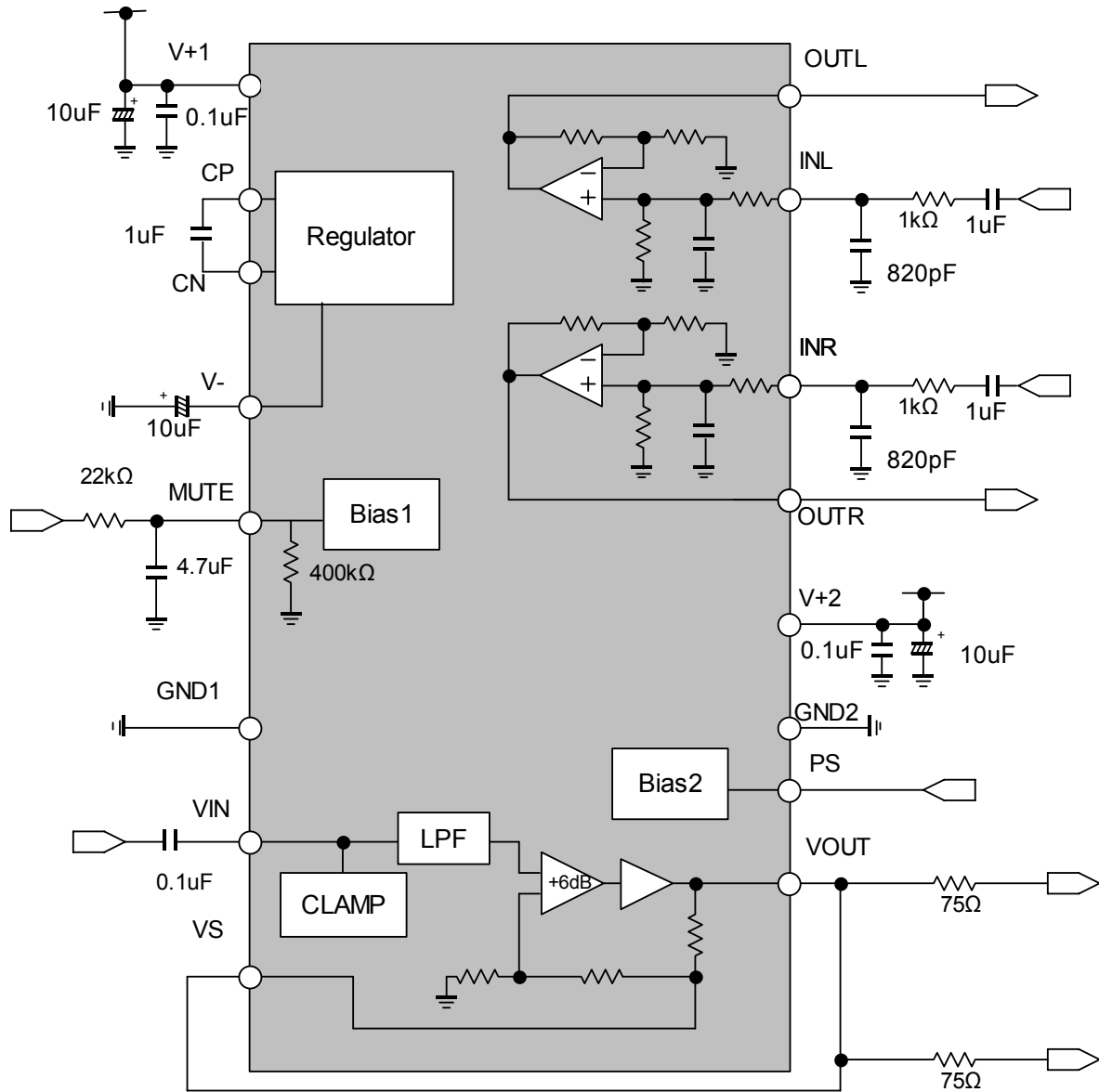


Note)

When AC coupling and the video output connect two line of 150Ω, connect the coupling capacitor after connecting the Vout pin and Vsag pin. The recommended value is 470μF or more.

NJW1230

APPLICATION CIRCUIT 2 (Video output is DC coupling)



Note)
Vout outputs DC of 0.33V.

■ APPLICATION NOTE

NJW1230 built in stereo line amplifier. Stereo line amplifier is that eliminates the need for external dc-blocking output capacitors. Also built in pop suppression circuitry to eliminate disturbing pop noise during power-on, power-off and mute-control.

Video block is low voltage operate video amplifier with LPF. It direct coupling to TV monitor with built in 75Ω - driver. It is able to both AC - coupling and DC - coupling. Input signal is CVBS, also suitability low power application with built in power save circuit

1. Audio block's operating principle

Audio block of NJW1230 is stereo line amplifier. It has the built-in non-inverted input operational amplifiers, voltage inverter, and pop noise suppression circuitry (Fig.1).

The voltage inverter for stereo line amplifier eliminates the need for external dc-blocking output capacitors.

The pop suppression circuitry for stereo line amplifier eliminates the pop noise during power-on, power-off and mute-control.

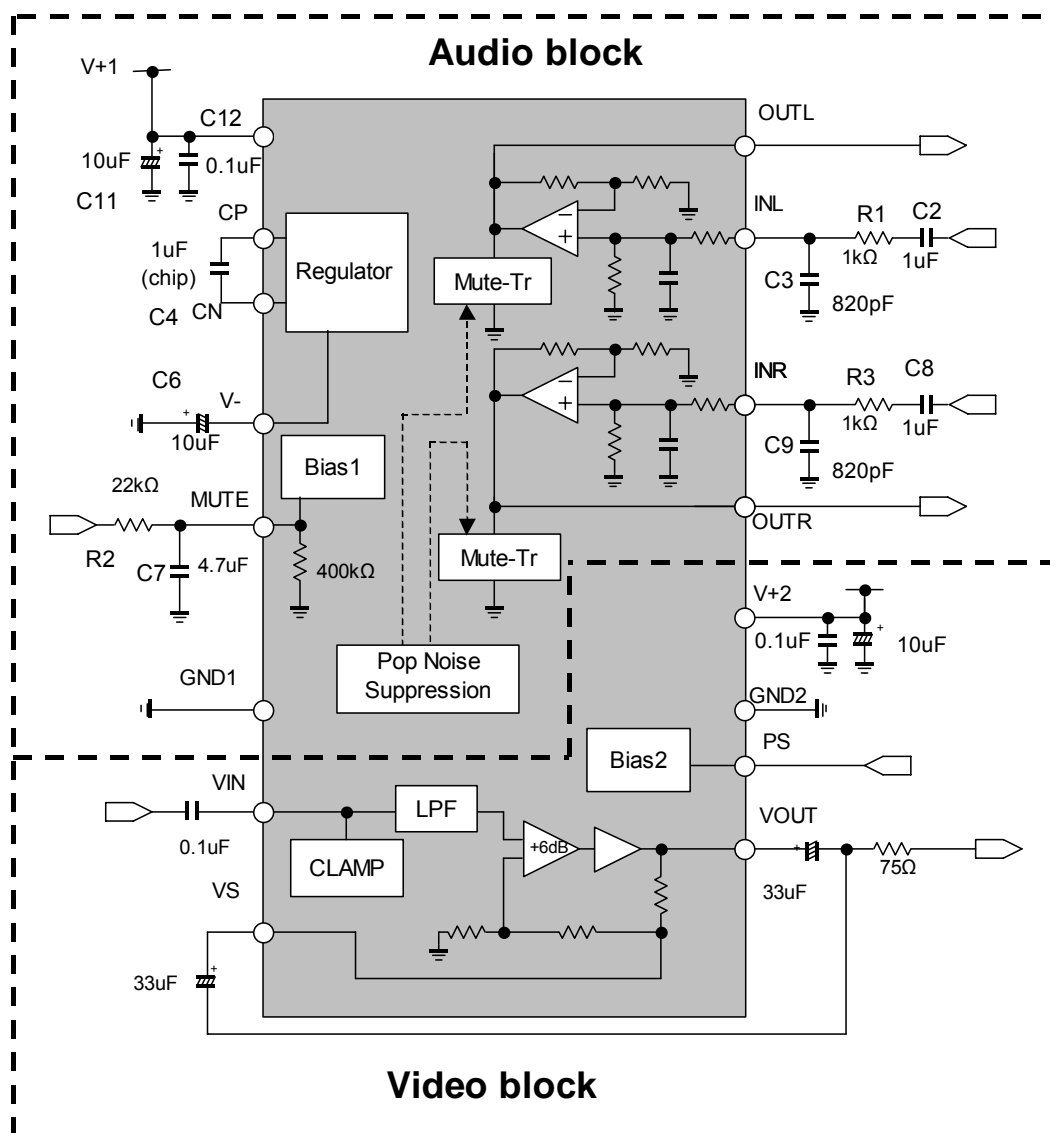


Fig.1 NJW1230 block diagram

1.1 External parts

1.1.1 Input coupling capacitors C_i (C_2 , C_8)

The input coupling capacitor (C_i) and the total of the external resistance (R_1 , R_3) and the input resistance ($R_{in}=218k\Omega$ typ.) for the non-inverted terminal form a high-pass filter with the corner frequency determined in $[f_c=1/(2\pi \times (R_1+218k\Omega) \times C_i)]$. It is necessary to adjust $1\mu F$ or more.

1.1.2 Flying capacitor (C_4)

Use capacitors with a low-ESR (ex. ceramic capacitors) for optimum performance. Design to provide low impedance for the wiring between CP terminal (2pin), CN terminal (3pin), and the flying capacitor (C_4).

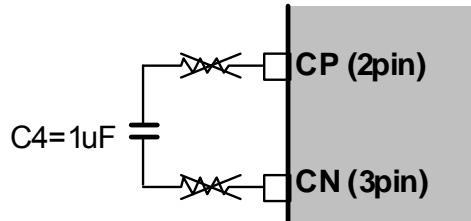


Fig.2 external circuit of 2pin, 3pin

1.1.3 Hold capacitor (C_6)

Use capacitors with a low-ESR (ex. ceramic capacitors) for optimum performance. Design to provide low impedance for the wiring between the hold capacitor (C_6), V- terminal (4pin) and the GND on the PCB.

Separate the GND pattern connecting to the hold capacitor (C_6) from that connecting to the GND terminal (6pin), thus suppressing the influence of switching noise by removing the common impedance of the GND wiring.

Design no short-circuits of V- terminal (4pin) and V+ terminal (1pin) on the PCB pattern.

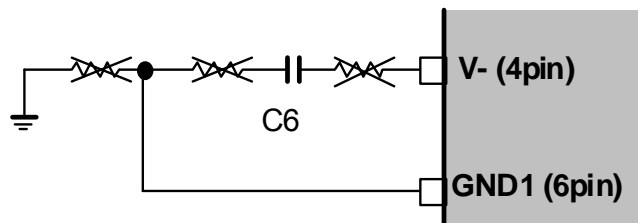


Fig.3 external circuit of 4pin, 6pin

1.1.4 Mute terminal pop noise countermeasures (R_2 , C_7)

Mute terminal (5pin) needs time constant more than $R_2 \times C_7=0.1$. It is necessary to adjust $22k\Omega$ or less.

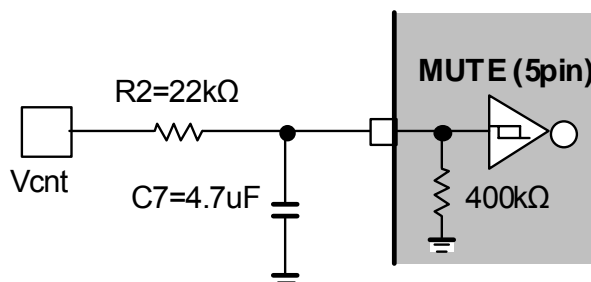


Fig.4 external circuit of 5pin

1.2 Control of V+ terminal and Mute terminal

1.2.2 Power-on procedure

1. Turn on the V+.

2. After 100msec from power on, change the control voltage of MUTE terminal (Vcnt) from "Low" to "High".

* It is necessary to stabilize an IC for 100msec.

By releasing the MUTE function, the output terminal output the signal.

1.2.3 Power-off procedure

1. Change the control voltage of MUTE terminal (Vcnt) from "High" to "Low".

By the MUTE function, the output signals are stopped from output terminal.

2. Turn off the V+ after "2RC" sec from MUTE.

* It is necessary to stabilize a MUTE condition for "2RC" sec.

Ex.) $R2=22k\Omega$, $C7=4.7\mu F \rightarrow 2R2 \times C7=200msec$

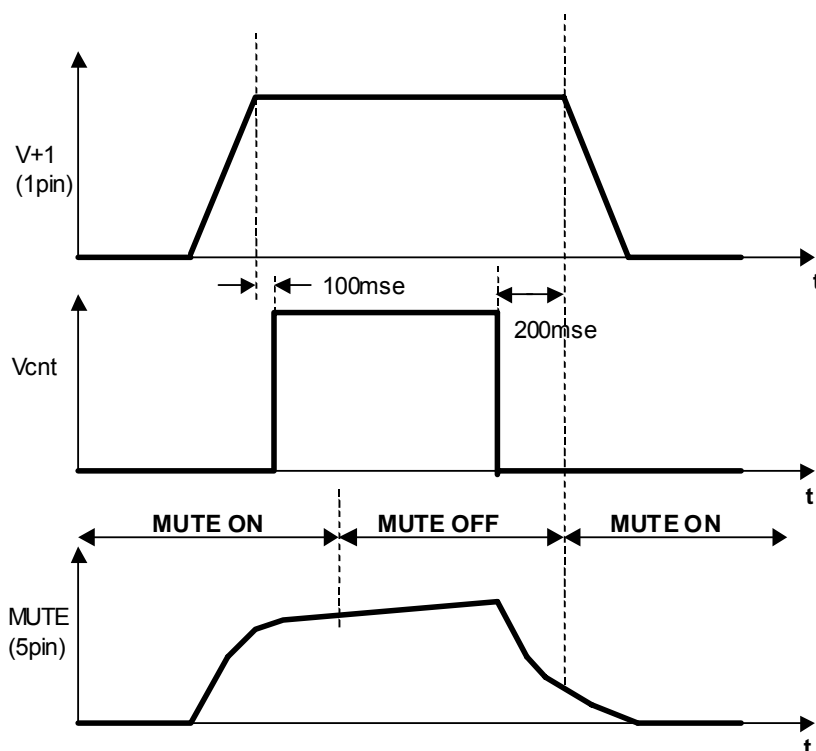


Fig.5 Power-on / Power-off timing chart

2. Video block's operating principle

Video block is low voltage video amplifier with LPF. It direct coupling to TV monitor with built in 75Ω - driver. It is able to both AC – coupling and DC – coupling. Input signal is CVBS, also suitability low power application with built in power save circuit

2.1 Typical application circuit (at use SAG collection circuit)

This application circuit is deal with the possibility of portable system that be bound by space. It can make output capacitor smaller by SAG collection circuit. However, this circuit has possibilities deterioration of SAG, and get out synchronization at rapid changes in brightness of input signal. Therefore we recommend measurement at comprehend low frequency of input signal (ex. WHITE – BLACK bounce signal).

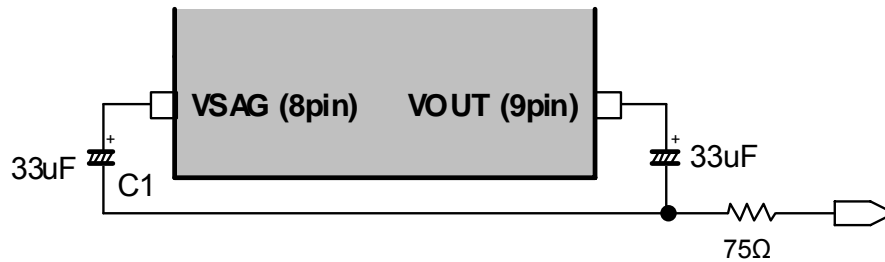


Fig.6 Typical application circuit

2.2 Unused SAG collection circuit

We recommend unused SAG collection circuit at be not bound by space. Connect with VOUT terminal and VSAG terminal. Then connect to output capacitor of over $470\mu\text{F}$.

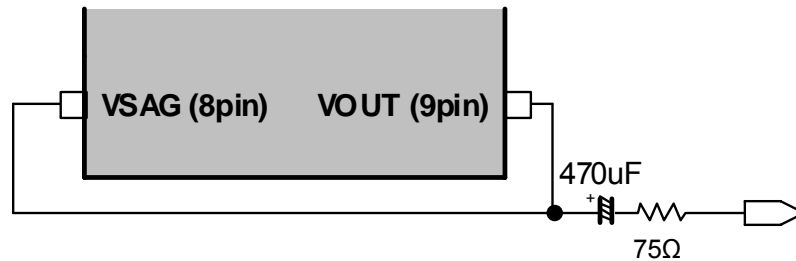


Fig.7 Unused SAG collection circuit

2.3 Two drive application circuit

This circuit can drive $150\Omega \times 2$. However get out synchronization at rapid changes in brightness of input signal. We recommend measurement at comprehend low frequency of input signal (ex. WHITE – BLACK bounce signal).

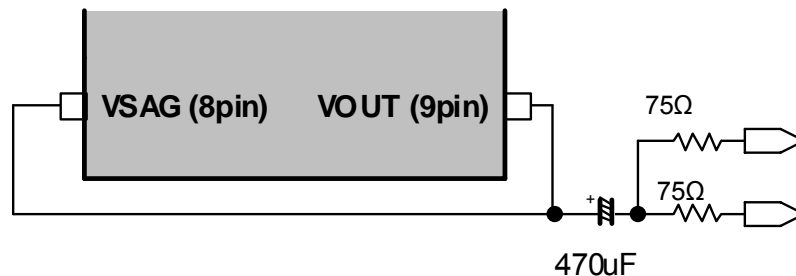


Fig.7 Two drive application circuit

2.4 DC – coupling application circuit

VOUT terminal output 0.33V all of the time.

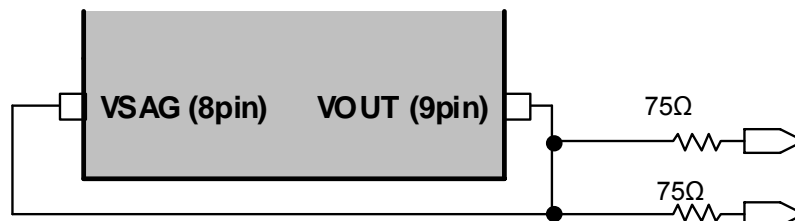


Fig.8 DC – coupling application circuit

3. How to trace V+1(1pin), V+2(12pin), GND1(6pin), GND2(11pin)

V+1 and GND1 for audio block. V+2 and GND2 for video block. Audio block built in charge pump circuit. As a result, clock noise of charge pump circuit on between V+1 and GND1. Video output is take a leaf from clock noise at clock noise on between V+2 and GND2. Each terminal make a separation trace. Cut down common impedance of between audio block and video block.

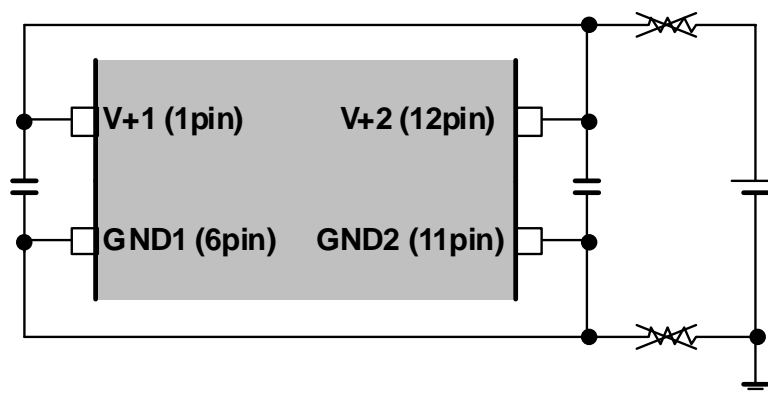


Fig.9 external circuit of 1pin, 6pin, 11pin, 12pin

NJW1230

■ TERMINAL DESCRIPTION

Terminal	SYMBOL	FUNCTION	EQUIVALENT CIRCUIT	VOLTAGE
1	V+1	V+ Power Supply for Audio		
2	CN	Flying Capacitor Negative Terminal for Audio		-
3	CP	Flying Capacitor Positive Terminal for Audio		-
4	V-	V- Power Supply for Audio		-[V+]
5	MUTE	Mute / Pop Noise Suppression for Audio		0V

■ TERMINAL DESCRIPTION

Terminal	SYMBOL	FUNCTION	EQUIVALENT CIRCUIT	VOLTAGE
7	VIN	Video Input		1.10V
8	VS	SAG Correction		-
9	VOUT	Video Output		0.33V
10	PS	Power Save for Video		-
11	V+2	V+ Power Supply for Video		3V

NJW1230

■ TERMINAL DESCRIPTION

Terminal	SYMBOL	FUNCTION	EQUIVALENT CIRCUIT	VOLTAGE
15 14	INL INR	Audio Input		0V
16 13	OUTL OUTR	Audio Output		0V

[CAUTION]

The specifications on this databook are only given for information, without any guarantee as regards either mistakes or omissions. The application circuits in this databook are described only to show representative usages of the product and not intended for the guarantee or permission of any right including the industrial rights.