

3ch Laser Diode Driver

■GENERAL DESCRIPTION

NJW4702 is a laser diode driver for the operation of a grounded laser diode for CD-R and CD-RW drivers.

It includes three channels current amplifiers for three different optical power levels. Reference inputs are voltage input, and voltage control is possible without external resistors. An on-chip RF oscillator is provided to reduce laser mode noise during read mode. Oscillation frequency and oscillation amplitude are defined by two external resistors.

■PACKAGE OUTLINE



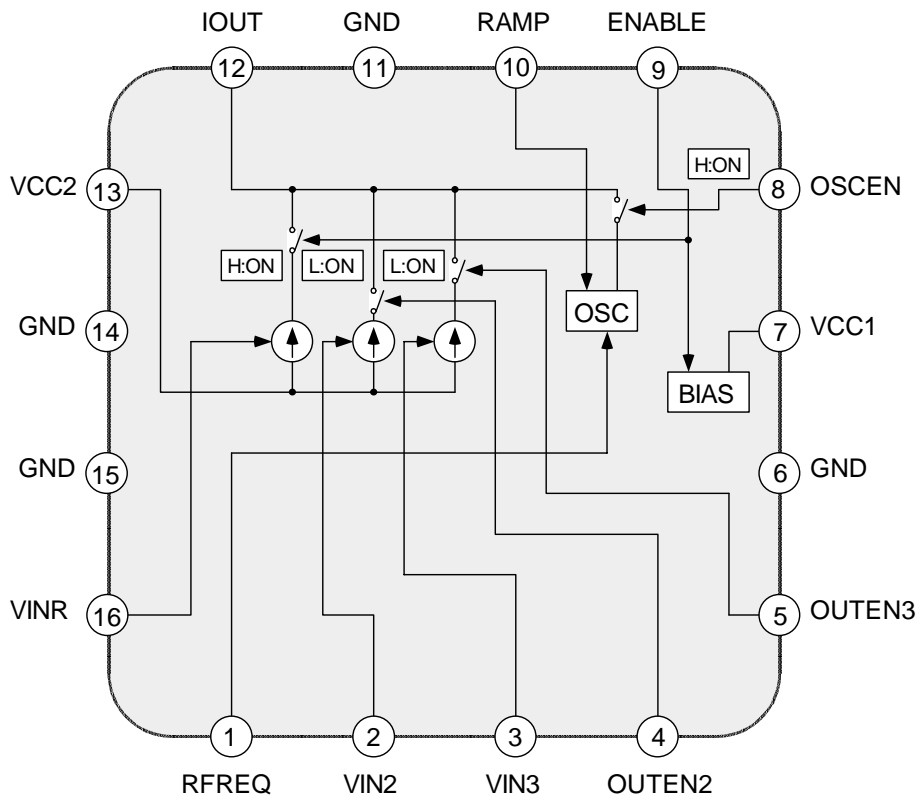
NJW4702SE8

www.DataSheet4U.com

■FEATURES

- Operating Voltage 4.5V to 5.5V
- On-chip RF Oscillator 200MHz to 500MHz
- Rise-time/Fall-time 1.0ns typ.
- Maximum Output Current 250mA typ.
- Bi-CMOS Technology
- Package Outline PCSP16(3.5mm 0.65mm pitch)

■BLOCK DIAGRAM



NJW4702

■ABSOLUTE MAXIMUM RATING (Ta=25°C)

PARAMETERS	SYMBOL	RATINGS	UNIT
Supply Voltage	V*	6.0	V
Power Dissipation	P _D	860 *	mW
Operating Temperature Range	Topr	-40 to +85	°C
Storage Temperature Range	Tstg	-40 to +125	°C

*EIA/JEDEC STANDARD Test Board(76.2x114.3x1.6mm,4layers,FR-4)mounting

■RECOMMENDED OPERATING CONDITION (Ta=25°C)

PARAMETERS	SYMBOL	TEST CONDITION	MIN.	TYP.	MAX.	UNIT
Operating Voltage	Vopr		4.5	5.0	5.5	V

■ELECTRICAL CHARACTERISTICS

●DC CHARACTERISTICS (V_{CC}=5.0V,ENABLE=H,OUTEN=H,OSCEN=L, H:5V,L:GND,2V to Iout, Ta=25°C unless otherwise specified)

PARAMETERS	SYMBOL	TEST CONDITION	MIN.	TYP.	MAX.	UNIT
Supply Current 1	I _{CC1}	ENABLE≤0.5V	-	0	10	μA
Supply Current 2	I _{CC2}	VINR/2/3=0V	-	5	7	mA
Supply Current 3	I _{CC3}	OSCEN=H,RAMP=1kΩ,RFREQ=3.6kΩ	-	55	75	mA
Supply Current 4	I _{CC4}	VINR=0V,VIN2=0.3V,VIN3=0.3V	-	20	30	mA
Supply Current 5	I _{CC5}	VINR=0.8V,VIN2/3=0.3V	-	80	110	mA
High Level Input Voltage	VIH		3.5	-	-	V
Low level Input Voltage	VIL		-	-	1.5	V
High Level Input Current	I _{IH}		-	-	100	μA
Low Level Input Current	I _{IL}		-100	-	-	μA
Shutdown Voltage	Vshut	VINR=0.8V,VIN2/3=0.3V, OUTEN=L,OSCEN=H,V _{CC} at I _{CC} ≤1mA	3.4	-	3.7	V

●Laser Amp DC CHARACTERISTICS

(V_{CC}=5.0V,ENABLE=H,OUTEN=H,OSCEN=L, H:5V,L:GND,2V to Iout, Ta=25°C unless otherwise specified)

PARAMETERS	SYMBOL	TEST CONDITION	MIN.	TYP.	MAX.	UNIT
Current Convert Gain 1	Gi1	CHR *1	35	50	65	mA/V
Current Convert Gain 2	Gi2	CH2/3 *1	80	120	160	mA/V
Output Offset Current	I _{OS}	CHR/2/3 *1	-2	-	+8	mA
Output Current Linearity	I _{lin}	CHR/2/3 *1	-3	-	+3	%
Input Voltage Range	V _{refR}	CHR/2/3	0	-	5	V
Maximum Output Current 1	I _{OMAX1}	CHR	100	150	-	mA
Maximum Output Current 2	I _{OMAX2}	CH2/3	200	250	-	mA
Iout Series Resistance	R _O		-	6	-	Ω
Input Resistance	R _{in}		6	9	12	kΩ
Output OFF Current 1	I _{OFF1}	OUTEN=H,VINR/2/3=0V,Total for All Channels	-	-	1.0	mA
Output OFF Current 2	I _{OFF2}	OUTEN=L,VINR/2/3=0V,Total for All Channels	-	-	3.0	mA
Supply Voltage Alternation of Output Current 1	V _{C1}	V _{CC} =4.5 to 5.5V,VINR=0.8V,CHR only	-	10	15	%/V
Supply Voltage Alternation of Output Current 2	V _{C2}	V _{CC} =4.5 to 5.5V,OUTEN2or3=L,VINR=0.8V, VIN2/3=0.3V,CHR+CH2or3	-	10	15	%/V
Temperature coefficient of Output Current 1	TC1	VINR=0.8V,CHR only	-	-800	-	ppm/°C
Temperature coefficient of Output Current 2	TC2	OUTEN2or3=L,VINR=0.8V,VIN2/3=0.3V, CHR+CH2or3	-	-800	-	ppm/°C

*1 The amplifier linearity is calculated using best fit method at three points. The output currents chosen 20mA, 40mA,and, 60mA.The transfer function for Iout is defined as follows: Iout =Gi*VIN+Ios

●Laser Amp AC CHARACTERISTICS (V_{CC}=5.0, T_a=25°C unless otherwise specified)

PARAMETERS	SYMBOL	TEST CONDITION	MIN.	TYP.	MAX.	UNIT
Enable Time	T _{en}	ENABLE L→H 50% to I _{out} 50%, I _{out} =40mA	-	150	-	ns
Disable Time	T _{dis}	ENABLE H→L 50% to I _{out} 50%, I _{out} =40mA	-	20	-	ns
ON Time	T _{on}	OUTEN H→L 50% to I _{out} 50%, I _{out} =40mA+40mA	-	1	-	ns
OFF Time	T _{off}	OUTEN L→H 50% to I _{out} 50%, I _{out} =40mA+40mA	-	1	-	ns
Rise Time	T _r	CHR+CH2/3, I _{out} 10-90%, I _{out} =40mA+40mA	-	1	-	ns
Fall Time	T _f	CHR+CH2/3, I _{out} 10-90%, I _{out} =40mA+40mA	-	1	-	ns
Over Shoot	OS		-	5	-	%
Oscillator Frequency	f _{OSC}	R _{freq} =3.6kΩ	380	470	560	MHz
Oscillator Temperature Coefficient	T _{cOSC}	R _{freq} =3.6kΩ	-	-300	-	ppm/°C
Output Current Noise	I _{no}	I _{out} =40mA, CHR only	-	3.5	-	nA/√Hz

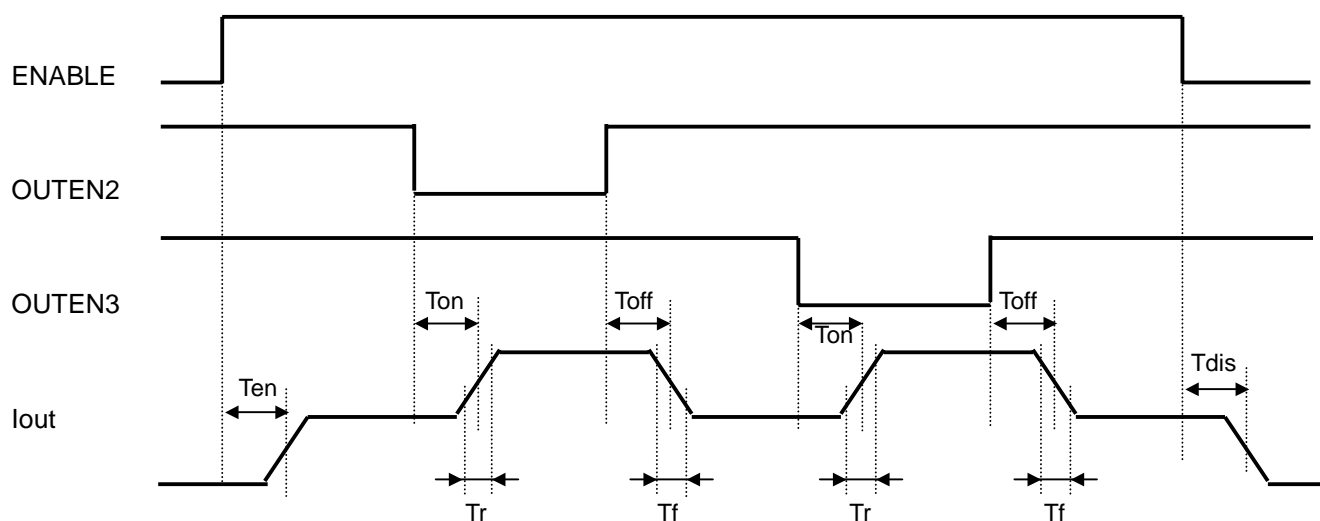
■I_{out} Control

ENABLE	OUTEN2	OUTEN3	I _{out}
L/OPEN	X	X	OFF
H	H/OPEN	H/OPEN	I _{out} =VINR*Gi1
H	L	H/OPEN	I _{out} =VINR*Gi1+VIN2*Gi2
H	H/OPEN	L	I _{out} =(VINR+VIN3)*Gi1
H	L	L	I _{out} =(VIN2+VIN3)*Gi1+VIN2*Gi2

■Oscillator Control

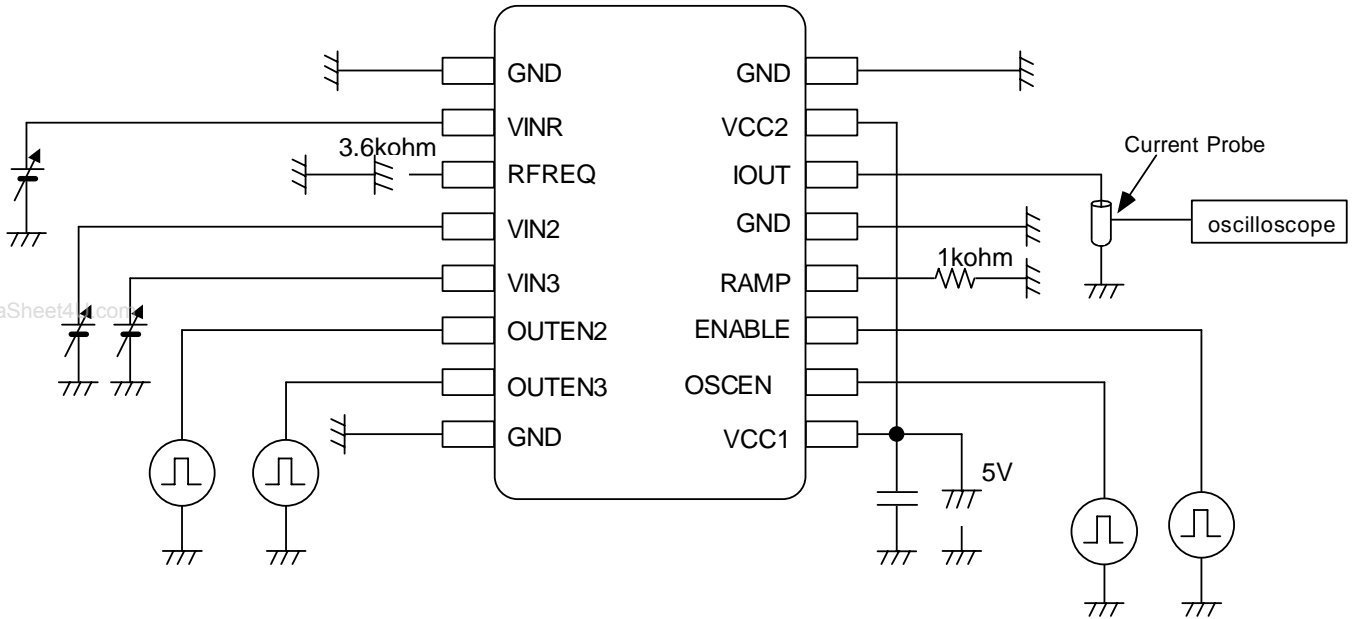
ENABLE	OSCEN	OUTEN2	OUTEN3	OSCILLATOR
L/OPEN	X	X	X	OFF
H	L/OPEN	X	X	OFF
H	H	X	X	ON

■Timing Diagram

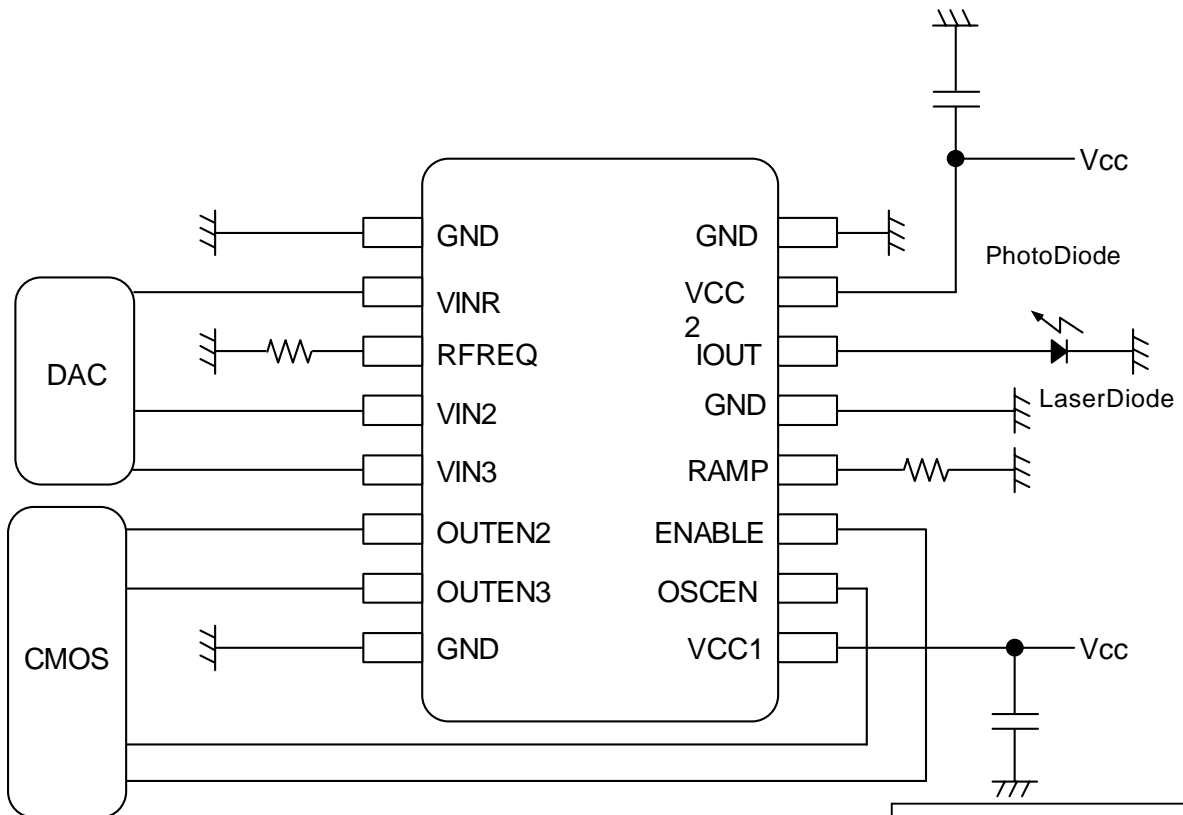


NJW4702

TEST CIRCUIT



APPLICATION CIRCUIT



[CAUTION]
 The specifications on this databook are only given for information, without any guarantee as regards either mistakes or omissions. The application circuits in this databook are described only to show representative usages of the product and not intended for the guarantee or permission of any right including the industrial rights.