



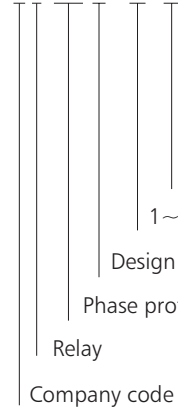
## NJXB3 Relay

### 1. General

NJXB3 relay is used as an overvoltage, undervoltage, phase failure, phase sequence, three-phase voltage unbalance and PTC temperature protection device in three-phase three-wire control circuits with an AC voltage of 380V and a frequency of 50Hz and three-phase four-wire control circuits with an AC voltage of 220V and a frequency of 50Hz to make and break the circuit.

### 2. Type designation

N J XB 3 - □ □



P: PTC temperature protection, optional.

1~18 function code (see Table 1)

Design sequence No.

Phase protection

Relay

Company code

Model	Three-phase three-wire	Three-phase four-wire	Single-phase/two-phase	Overvoltage protection	Undervoltage protection	Unbalance protection	Phase sequence protection	Phase failure protection	PTC temperature protection
NJXB3-1	●			●				●	
NJXB3-2	●				●			●	
NJXB3-3	●			●	●			●	
NJXB3-4	●			●	●		●	●	
NJXB3-5	●			●	●	Fixed	●	●	○
NJXB3-6	●			Fixed	Fixed	●	●	●	○
NJXB3-7	●			●	●	●	●	●	○
NJXB3-8	●								●
NJXB3-9	●						●	●	●
NJXB3-10	●						●	●	
NJXB3-11		●	●	●				●	
NJXB3-12		●	●		●			●	
NJXB3-13		●	●	●	●			●	
NJXB3-14		●		●	●		●	●	
NJXB3-15		●		●	●	Fixed	●	●	○
NJXB3-16		●		Fixed	Fixed	●	●	●	○
NJXB3-17		●		●	●	●	●	●	○
NJXB3-18		●					●	●	○

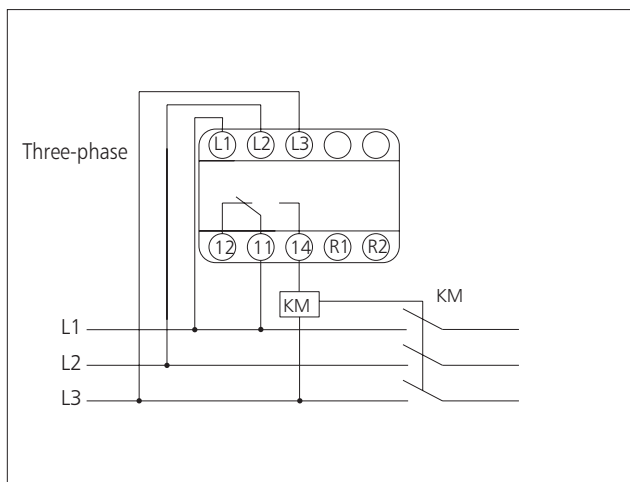
Note: ● denotes available functions, ○ denotes optional functions.

### 3. Technical data

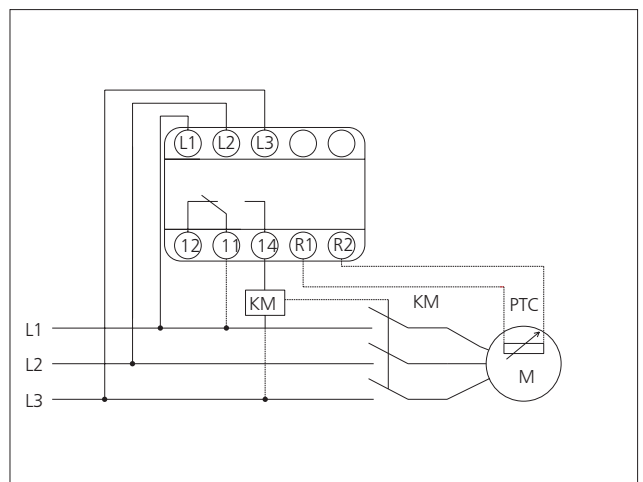
Model	Protection function	Protection operation time	Rated operational voltage	Contact capacity	Contact form	Usage category	Conventional heating current (Ith)	Electrical life	Mechanical life
NJXB3	Overvoltage	0.1s~10s	Three-phase three-wire system: AC 380V 50Hz	Resistive load: AC250V 6A $\cos\phi=1$ Inductive load: AC250V 1A $\cos\phi=0.4$	1 N/O, 1 N/C	AC-15	3A	$10^5$	$10^6$
	Undervoltage								
	Three-phase voltage unbalance								
	Phase failure, phase sequence	$\leq 1s$	Three-phase four-wire system: AC 220V 50Hz						
PTC temperature protection									

### 4. Wiring diagram

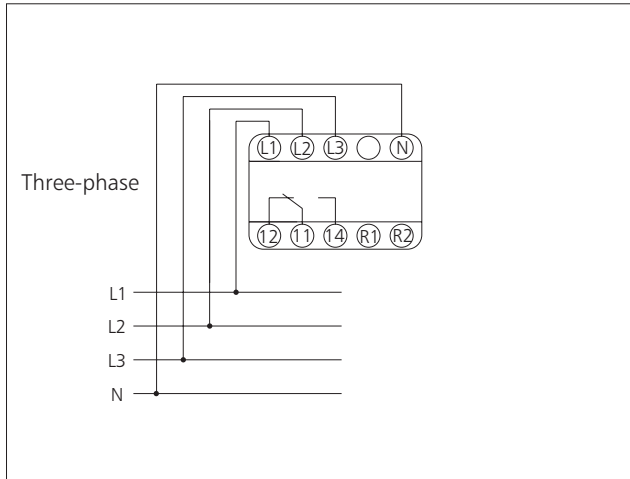
NJXB3-01, NJXB3-02, NJXB3-03, NJXB3-04, NJXB3-10  
Wiring diagram



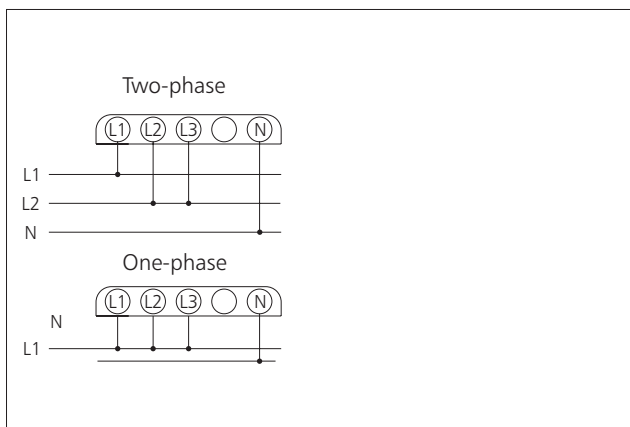
NJXB3-05(P), NJXB3-06(P), NJXB3-07(P), NJXB3-08(P), NJXB3-09  
Wiring diagram



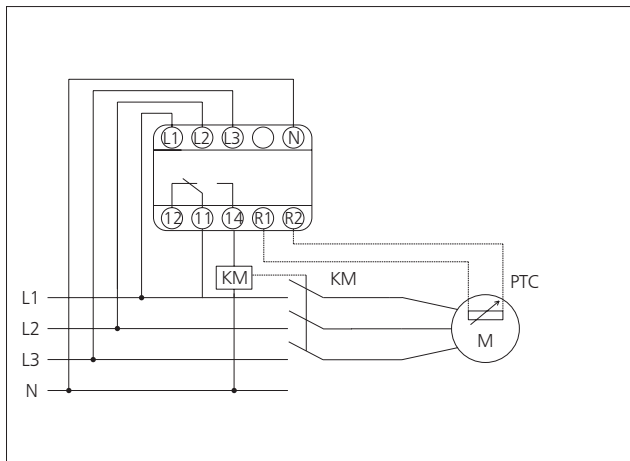
NJXB3-11, NJXB3-12, NJXB3-13 Wiring diagram



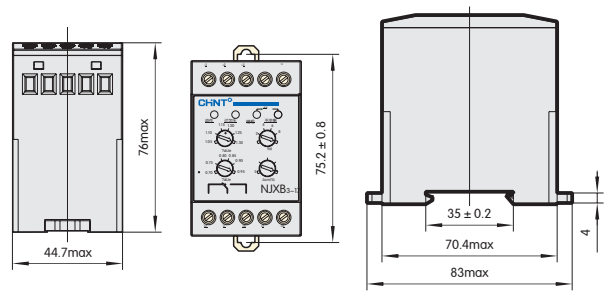
NJXB3 Wiring diagram



NJXB3-14, NJXB3-15(P), NJXB3-16(P), NJXB3-17(P), NJXB3-18 Wiring diagram



## 5. Overall and mounting dimensions (mm)



## 6. Installation and use

- 6.1 Connect the wires correctly in accordance with the connection diagram.
- 6.2 If the relay is of rail mounting type, use TH35-7.5 mounting rail.
- 6.3 If the relay is of installation mounting type, remove the limiter.