



CONFIDENTIAL

# TFT-LCD TV/MONITOR

NK15A\*/NK17A\*

# SERVICE *Manual*

TFT-LCD TV/MONITOR

CONTENTS



1. Precautions
2. Product Specifications
3. Disassembly & Reassembly
4. Alignment & Adjustments
5. Troubleshooting
6. Exploded View & Parts List
7. Electrical Parts List
8. Block Diagram
9. Wiring Diagram
10. Schematic Diagrams
11. Panel Description

# 1 Precautions

Follow these safety, servicing and ESD precautions to prevent damage and to protect against potential hazards such as electrical shock.

## 1-1 Safety Precautions

### 1-1-1 Warnings

1. For continued safety, do not attempt to modify the circuit board.
2. Disconnect the AC power and DC Power Jack before servicing.

### 1-1-2 Servicing the LCD Monitor

1. When servicing the LCD Monitor Disconnect the AC line cord from the AC outlet.
2. It is essential that service technicians have an accurate voltage meter available at all times. Check the calibration of this meter periodically.

### 1-1-3 Fire and Shock Hazard

Before returning the monitor to the user, perform the following safety checks:

1. Inspect each lead dress to make certain that the leads are not pinched or that hardware is not lodged between the chassis and other metal parts in the monitor.
2. Inspect all protective devices such as nonmetallic control knobs, insulating materials, cabinet backs, adjustment and compartment covers or shields, isolation resistor-capacitor networks, mechanical insulators, etc.
3. Leakage Current Hot Check (Figure 1-1):  
**WARNING: Do not use an isolation transformer during this test.**

Use a leakage current tester or a metering system that complies with American National Standards Institute (*ANSI C101.1, Leakage Current for Appliances*), and Underwriters Laboratories (*UL Publication UL1410, 59.7*).

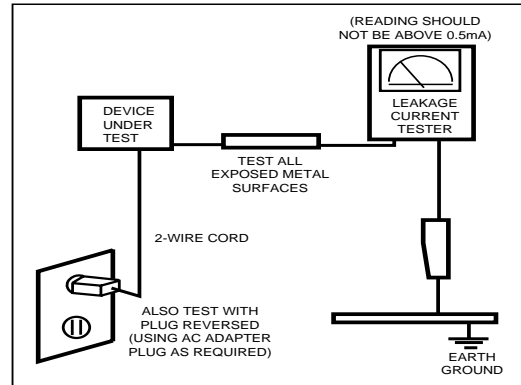



Figure 1-1. Leakage Current Test Circuit

4. With the unit completely reassembled, plug the AC line cord directly into a 120V AC outlet. With the unit's AC switch first in the ON position and then OFF, measure the current between a known earth ground (metal water pipe, conduit, etc.) and all exposed metal parts, including: metal cabinets, screwheads and control shafts. The current measured should not exceed 0.5 milliamp. Reverse the power-plug prongs in the AC outlet and repeat the test.

### 1-1-4 Product Safety Notices

Some electrical and mechanical parts have special safety-related characteristics which are often not evident from visual inspection. The protection they give may not be obtained by replacing them with components rated for higher voltage, wattage, etc. Parts that have special safety characteristics are identified by  on schematics and parts lists. A substitute replacement that does not have the same safety characteristics as the recommended replacement part might create shock, fire and / or other hazards. Product safety is under review continuously and new instructions are issued whenever appropriate.

## 1-2 Servicing Precautions

---

**WARNING:** An electrolytic capacitor installed with the wrong polarity might explode.

**Caution:** Before servicing units covered by this service manual, read and follow the Safety Precautions section of this manual.

**Note:** If unforeseen circumstances create conflict between the following servicing precautions and any of the safety precautions, always follow the safety precautions.

### 1-2-1 General Servicing Precautions

1. Always unplug the unit's AC power cord from the AC power source and disconnect the DC Power Jack before attempting to:
  - (a) remove or reinstall any component or assembly,
  - (b) disconnect PCB plugs or connectors, (c) connect a test component in parallel with an electrolytic capacitor.
2. Some components are raised above the printed circuit board for safety. An insulation tube or tape is sometimes used. The internal wiring is sometimes clamped to prevent contact with thermally hot components. Reinstall all such elements to their original position.
3. After servicing, always check that the screws, components and wiring have been correctly reinstalled. Make sure that the area around the serviced part has not been damaged.
4. Check the insulation between the blades of the AC plug and accessible conductive parts (examples: metal panels, input terminals and earphone jacks).
5. Insulation Checking Procedure: Disconnect the power cord from the AC source and turn the power switch ON. Connect an insulation resistance meter (500 V) to the blades of the AC plug.  
The insulation resistance between each blade of the AC plug and accessible conductive parts (see above) should be greater than 1 megohm.
6. Always connect a test instrument's ground lead to the instrument chassis ground before connecting the positive lead; always remove the instrument's ground lead last.

## 1-3 Electrostatically Sensitive Devices (ESD) Precautions

---

Some semiconductor (solid state) devices can be easily damaged by static electricity. Such components are commonly called Electrostatically Sensitive Devices (ESD). Examples of typical ESD devices are integrated circuits and some field-effect transistors. The following techniques will reduce the incidence of component damage caused by static electricity.

1. Immediately before handling any semiconductor components or assemblies, drain the electrostatic charge from your body by touching a known earth ground. Alternatively, wear a discharging wrist-strap device. To avoid a shock hazard, be sure to remove the wrist strap before applying power to the monitor.
2. After removing an ESD-equipped assembly, place it on a conductive surface such as aluminum foil to prevent accumulation of an electrostatic charge.
3. Do not use freon-propelled chemicals. These can generate electrical charges sufficient to damage ESDs.
4. Use only a grounded-tip soldering iron to solder or desolder ESDs.
5. Use only an anti-static solder removal device. Some solder removal devices not classified as "anti-static" can generate electrical charges sufficient to damage ESDs.
6. Do not remove a replacement ESD from its protective package until you are ready to install it. Most replacement ESDs are packaged with leads that are electrically shorted together by conductive foam, aluminum foil or other conductive materials.
7. Immediately before removing the protective material from the leads of a replacement ESD, touch the protective material to the chassis or circuit assembly into which the device will be installed.  
**Caution:** Be sure no power is applied to the chassis or circuit and observe all other safety precautions.
8. Minimize body motions when handling unpackaged replacement ESDs. Motions such as brushing clothes together, or lifting your foot from a carpeted floor can generate enough static electricity to damage an ESD.

## 2 Product Specifications

### 2-1 Specifications

Item	Description	
	NK15A*	NK17A*
LCD Panel	TFT-LCD panel, RGB vertical stripe, normaly white, 15-Inch viewable, 0.261 mm pixel pitch	TFT-LCD panel, RGB vertical stripe, normaly white, 17-Inch viewable, 0.2895 mm pixel pitch
Scanning Frequency	Horizontal : 30 kHz ~ 61 kHz (Automatic) Vertical : 56 Hz ~ 75 Hz (Automatic)	
Display Colors	16.2 Million colors	
Maximum Resolution	Horizontal : 1280 Pixels Vertical : 768 Pixels	1280 Pixels 768 Pixels
Input Video Signal	Analog 0.7 Vp-p ± 5% positive at 75 Ω, internally terminated	
Input Sync Signal	Type : Seperate H/V Level : TTL level	
Maximum Pixel Clock rate	80 MHz	80 MHz
Active Display Horizontal/Vertical	334.08 mm / 200.44 mm	370.560 mm / 222.336 mm
AC power voltage & Frequency	AC 90 ~ 264 Volts, 60 / 50 Hz ± 3 Hz	
Power Consumption	50 W (Max)	53 W (Max)
Dimensions Unit (W x D x H) Carton (W x D x H)	19.6 x 8.0 x 14.7 Inches (498 x 204.5 x 374 mm) 22.5 x 17.4 x 10.6 Inches (571 x 441 x 269 mm)	21.1 x 8.0 x 15.8 Inches (536 x 204.5 x 402 mm) 24.0 x 18.3 x 10.6 Inches (609 x 465 x 269 mm)
Weight	3.95 Kg (8.7 lbs)	4.8 Kg (10.6 lbs)
Environmental Considerations	Operating Temperature : 50 °F ~ 104 °F (10 °C ~ 40 °C) Humidity : 10 % ~ 80 % Storage Temperature : -4 °F ~ 113 °F (-20 °C ~ 45 °C) Humidity : 5 % ~ 95 %	
TV System	Tunning	Frequency Synthesize
	System	PAL, SECAM, NTSC 4.4
	Sound	BG, DK, I, L, L'
Antena Input	75Ω, Coaxial Cable	
Sound Characteristic	– MAX Internal speaker Out : Right => 3W Left => 3W	Right => 5W Left => 5W
	– BASS Control Range : -12 dB~ + 12 dB – TREBLE Control Range : -12 dB~ + 12 dB – Headphone Out: 5mW max (400m Vrms) – Output Frequency : RF => 80 Hz ~ 15 kHz A/V => 80 Hz ~ 15 kHz	

## 2-2 Pin Assignments

### 2-2-1 D-SUB

Pin	Separate
1	Red
2	Green
3	Blue
4	GND
5	GND (DDC Return)
6	GND-Red
7	GND-Green
8	GND-Blue
9	No Connection
10	GND-Sync./Self Test
11	GND
12	DDC Data
13	H-Sync.
14	V-Sync.
15	DDC Clock

### 2-2-2 SCART1, SCART2

Pin No	Items	Scart1	Scart2
1	Audio Out (R:500mV/1K $\Omega$ )	○	○
2	Audio IN (R:500mV/10K $\Omega$ )	○	○
3	Audio Out (L:500mV/1K $\Omega$ )	○	○
4	Audio Common GND	○	○
5	Blue GND	○	○
6	Audio IN (L:500mV/10K)	○	○
7	Blue IN (700mV/75 $\Omega$ )	○	
8	Function S/W (0~2V/9, 5V~12V)	○	○
9	Green GND	○	○
10	No Connection	○	
11	Green IN (700mV/75 $\Omega$ )	○	
12	No connection	○	
13	Red GND	○	○
14	F/B GND	○	○
15	Red IN (700mV/75 $\Omega$ )	○	
16	RGB F/B (0~0, 4V/1~3V)	○	
17	Video Output GND	○	○
18	Video Input GND	○	○
19	CVBS Out (1V/75 $\Omega$ )	○	○
20	CVBS IN (1V/75 $\Omega$ )	○	○
21	Common GND	○	○

### 2-2-3 S-Video

Pin	Separate
1	GND
2	Y
3	C
4	GND
5	GND

### 2-2-4 A/V

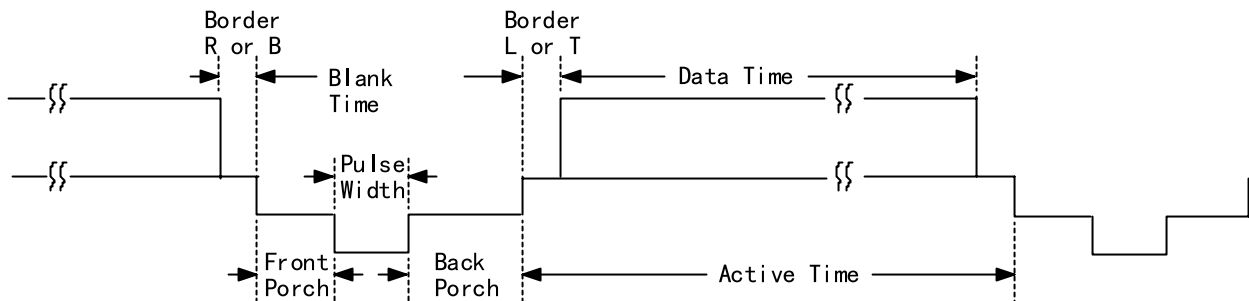
RCA Yellow	CVBS
RCA White	Audio L
	GND
RCA Red	Audio R
	GND

## 2-3 Timing Chart

This section of the service manual describes the timing that the computer industry recognizes as standard for computer-generated video signals.

### 2-3-1 LCD Panel Mode : 1 mode

Timing No.	
Originator	
Mode Name	1280/60Hz
Resolution (HxV)	1280x768
<b>HORIZONTAL</b>	
Frequency	47.700kHz
Total time	20.964µs
Active time	15.973µs
Blank time	4.992µs
Border (L / R)	0.000µs
Data time	15.964µs
Front porch	0.799µs
Sync. width	1.697µs
Back porch	2.496µs
Sync. polarity	Negative
<b>VERTICAL</b>	
Frequency	60Hz
Total time	16.667ms
Active time	16.101ms
Blank time	0.566ms
Border (T / B)	0.000ms
Data time	16.101ms
Front porch	20.964ms
Sync. width	62.893ms
Back porch	482.180
Sync. polarity	Positive
Dot Clock	80.136MHz
Sync. Type	Separate
Scan Type	N/I



## 2-3-2 Supported Modes (1)

Timing No.	2	3	11	17	32
Originator	IBM	IBM	VESA	VESA	MAC
Mode Name	VGA2	VGA3	640/72Hz	640/75Hz	640/67Hz
Resolution (HxV)	720x400	640x480	640x480	640x480	640x480
HORIZONTAL					
Frequency	31.469kHz	31.469kHz	37.861kHz	37.500kHz	35.000kHz
Total time	31.777μs	31.778μs	26.413μs	26.667μs	28.571μs
Active time	26.058μs	26.058μs	20.825μs	20.317μs	21.164μs
Blank time	5.720μs	5.720μs	5.588μs	6.350μs	7.407μs
Border (L / R)	0.318μs	0.318μs	0.254μs	0.000μs	0.000μs
Data time	25.422μs	25.422μs	20.317μs	20.317μs	21.164μs
Front porch	0.318μs	0.318μs	0.508μs	0.508μs	2.116μs
Sync. width	3.813μs	3.813μs	1.270μs	2.032μs	2.116μs
Back porch	1.589μs	1.589μs	3.810μs	3.810μs	3.175μs
Sync. polarity	Negative	Negative	Negative	Negative	Negative
VERTICAL					
Frequency	70.087Hz	59.940Hz	72.809Hz	75.000Hz	66.667Hz
Total time	14.268ms	16.683ms	13.735ms	13.333ms	15.000ms
Active time	13.155ms	15.761ms	13.100ms	12.800ms	13.714ms
Blank time	1.113ms	0.922ms	0.635ms	0.533ms	1.286ms
Border (T / B)	0.222ms	0.254ms	0.211ms	0.000ms	0.000ms
Data time	12.711ms	15.253ms	12.678ms	12.800ms	13.714ms
Front porch	0.191ms	0.064ms	0.026ms	0.027ms	0.086ms
Sync. width	0.064ms	0.064ms	0.079ms	0.080ms	0.086ms
Back porch	0.858ms	0.794ms	0.528ms	0.427ms	1.114ms
Sync. polarity	Positive	Negative	Negative	Negative	Negative
Dot Clock	28.322MHz	25.175MHz	31.500MHz	31.500MHz	30.240MHz
Sync. Type	Separate	Separate	Separate	Separate	Separate
Scan Type	N/I	N/I	N/I	N/I	N/I

## 2-3-2 Supported Modes (2)

Timing No.	13	14	18	33	15
Originator	VESA	VESA	VESA	MAC	VESA
Mode Name	800/60Hz	800/72Hz	800/75Hz	832/75Hz	1024/60Hz
Resolution (HxV)	800x600	800x600	800x600	832x624	1024x768
<b>HORIZONTAL</b>					
Frequency	37.879kHz	48.077kHz	46.875kHz	49.726kHz	48.363kHz
Total time	26.400 $\mu$ s	20.800 $\mu$ s	21.333 $\mu$ s	20.110 $\mu$ s	20.677 $\mu$ s
Active time	20.000 $\mu$ s	16.000 $\mu$ s	16.162 $\mu$ s	14.524 $\mu$ s	15.754 $\mu$ s
Blank time	6.400 $\mu$ s	4.800 $\mu$ s	5.171 $\mu$ s	5.171 $\mu$ s	4.923 $\mu$ s
Border (L / R)	0.000 $\mu$ s	0.000 $\mu$ s	0.000 $\mu$ s	0.000 $\mu$ s	0.000 $\mu$ s
Data time	20.000 $\mu$ s	16.000 $\mu$ s	16.162 $\mu$ s	14.524 $\mu$ s	15.754 $\mu$ s
Front porch	1.000 $\mu$ s	1.120 $\mu$ s	0.323 $\mu$ s	0.559 $\mu$ s	0.369 $\mu$ s
Sync. width	3.200 $\mu$ s	2.400 $\mu$ s	1.616 $\mu$ s	1.117 $\mu$ s	2.092 $\mu$ s
Back porch	2.200 $\mu$ s	1.280 $\mu$ s	3.232 $\mu$ s	3.910 $\mu$ s	2.462 $\mu$ s
Sync. polarity	Positive	Positive	Positive	Positive	Negative
<b>VERTICAL</b>					
Frequency	60.317Hz	72.188Hz	75.000Hz	74.551Hz	60.004Hz
Total time	16.579ms	13.853ms	13.333ms	13.414ms	16.666ms
Active time	15.840ms	12.480ms	12.800ms	12.549ms	15.880ms
Blank time	0.739ms	1.373ms	0.533ms	0.864ms	0.786ms
Border (T / B)	0.000ms	0.000ms	0.000ms	0.000ms	0.000ms
Data time	15.840ms	12.480ms	12.800ms	12.549ms	15.880ms
Front porch	0.026ms	0.770ms	0.021ms	0.020ms	0.062ms
Sync. width	0.106ms	0.125ms	0.064ms	0.060ms	0.124ms
Back porch	0.607ms	0.478ms	0.448ms	0.784ms	0.600ms
Sync. polarity	Positive	Positive	Positive	Positive	Negative
Dot Clock	40.000MHz	50.000MHz	49.500MHz	49.500MHz	65.000MHz
Sync. Type	Separate	Separate	Separate	Separate	Separate
Scan Type*	N/I	N/I	N/I	N/I	N/I



**2-3-2 Supported Modes (3)**

Timing No.	16	19
Originator	VESA	VESA
Mode Name	1024/70Hz	1024/75Hz
Resolution (HxV)	1024x768	1024x768
<b>HORIZONTAL</b>		
Frequency	56.476kHz	60.023kHz
Total time	17.707μs	16.660μs
Active time	13.653μs	13.003μs
Blank time	4.053μs	3.777 μs
Border (L / R)	0.000μs	0.000 μs
Data time	13.653μs	13.003μs
Front porch	0.320μs	0.323 μs
Sync. width	1.813μs	1.219 μs
Back porch	1.920μs	2.235 μs
Sync. polarity	Negative	Positive
<b>VERTICAL</b>		
Frequency	70.069Hz	75.029Hz
Total time	14.272ms	13.328ms
Active time	13.599ms	12.795ms
Blank time	0.672ms	0.533ms
Border (T / B)	0.000ms	0.000ms
Data time	13.599ms	12.795ms
Front porch	0.053ms	0.017ms
Sync. width	0.106ms	0.050ms
Back porch	0.513ms	0.466ms
Sync. polarity	Negative	Positive
Dot Clock	75.000MHz	78.750MHz
Sync. Type	Separate	Separate
Scan Type	N/I	N/I

## 3 Disassembly and Reassembly

This section of the service manual describes the disassembly and reassembly procedures for the NK15A\*/NK17A\* monitor.

**WARNING:** This monitor contains electrostatically sensitive devices. Use caution when handling these components.

### 3-1 Disassembly

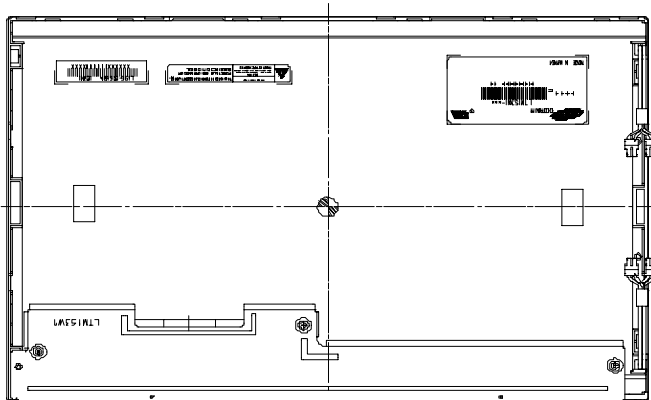
**Cautions:**

1. Disconnect the monitor from the power source before disassembly.
2. Follow these directions carefully; never use metal instruments to pry apart the cabinet.

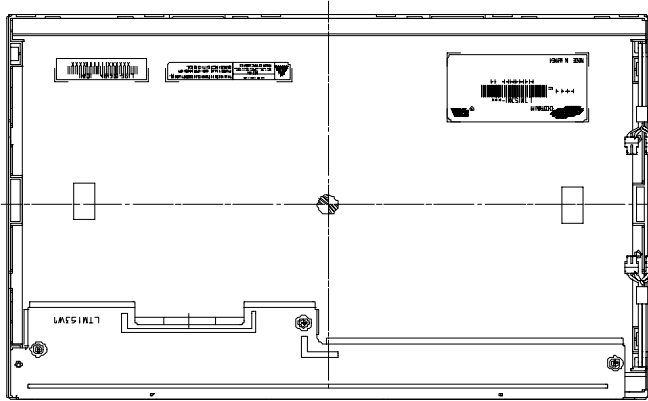
#### 3-1 General Alignment Instruction

1. Usually, a color TV-VCR needs only slight touch-up adjustment upon installation. Check the basic characteristics such as height, horizontal and vertical sync.
2. Use the specified test equipment or its equivalent.
3. Correct impedance matching is essential.
4. Avoid overload. Excessive signal from a sweep generator might overload the front-end of the TV. When inserting signal markers, do not allow the marker generator to distort test result.
5. Connect the TV only to an DC power source with voltage and frequency as specified on the backcover nameplate.
6. Do not attempt to connect or disconnect any wire while the TV is turned on. Make sure that the power cord is disconnected before replacing any parts.
7. To protect against shock hazard, use an isolation transform.

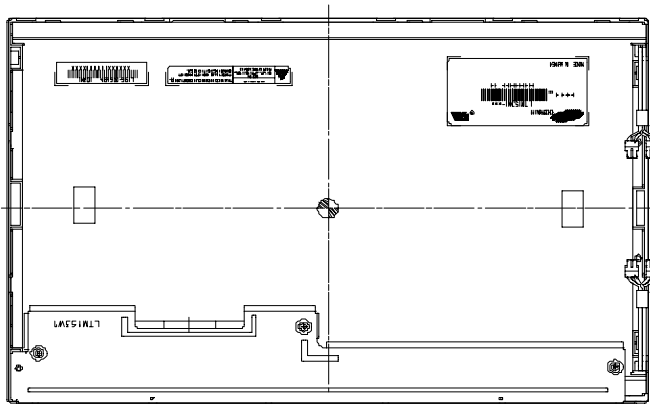
### 3-2 Replacement Order of Lamp Assemblies



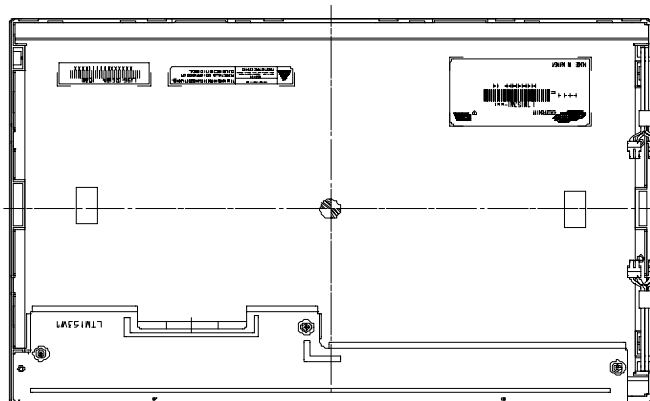
1. After confirm there is nothing on the desk  
Turn the LCD module over and put it on a flat desk set to the ground.



2. Push down the stopper and slide the lamp unit.



3. Please take out the lamp units from the LCD module.



4. Please fix the new lamp units on the LCD module : opposite process 2 and 3

\* Replacement of lamp unit should be done at the power off state and recommended clean bench condition.

### 3-3 Reassembly

---

Reassembly procedures are in the reverse order of Disassembly procedures.

---

## 4 Alignments and Adjustments

---

### 4-1 General Alignment Instruction

1. Usually, a color TV-VCR needs only slight touch-up adjustment upon installation. Check the basic characteristics such as height, horizontal and vertical sync.
2. Use the specified test equipment or its equivalent.
3. Correct impedance matching is essential.
4. Avoid overload. Excessive signal from a sweep generator might overload the front-end of the TV. When inserting signal markers, do not allow the marker generator to distort test result.
5. Connect the TV only to an AC power source with voltage and frequency as specified on the backcover nameplate.
6. Do not attempt to connect or disconnect any wire while the TV is turned on. Make sure that the power cord is disconnected before replacing any parts.
7. To protect against shock hazard, use an isolation transform.

## 4-2 Factory Mode Adjustments

### 4-2-1 Entering Factory Mode

1. To enter "Service Mode" Press the remote - control keys in this sequence :

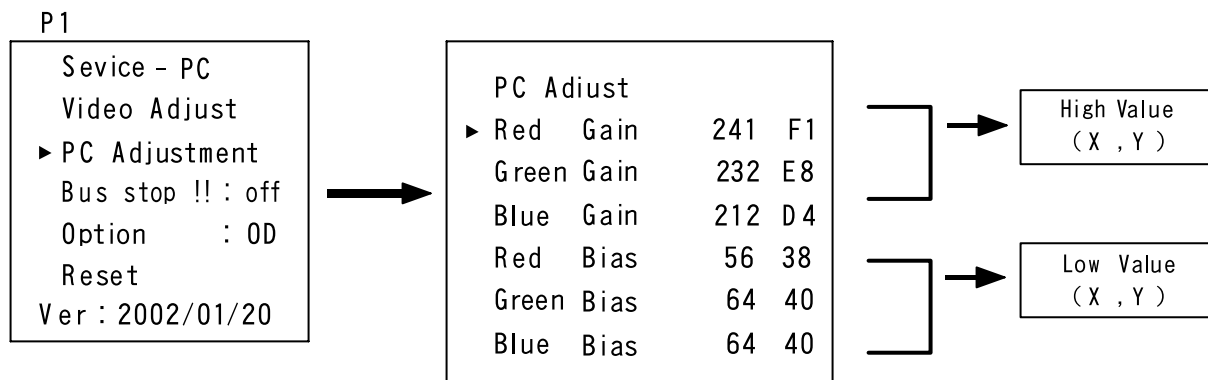
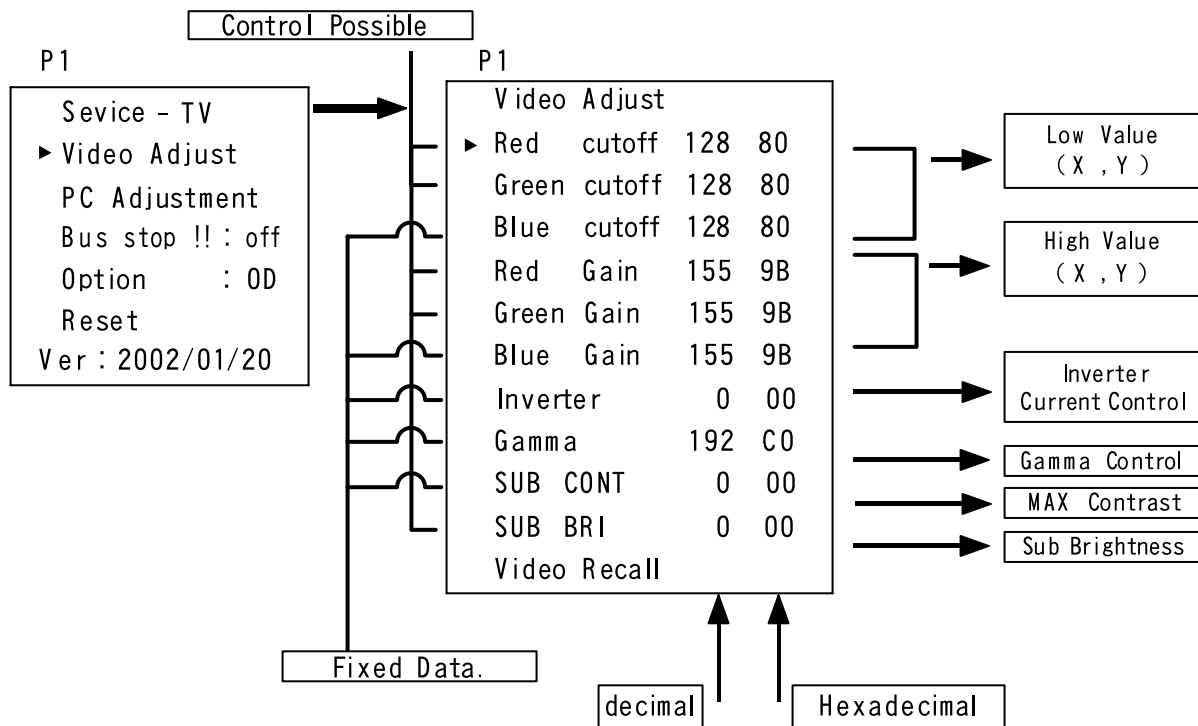
- If you do not have Factory remote - control

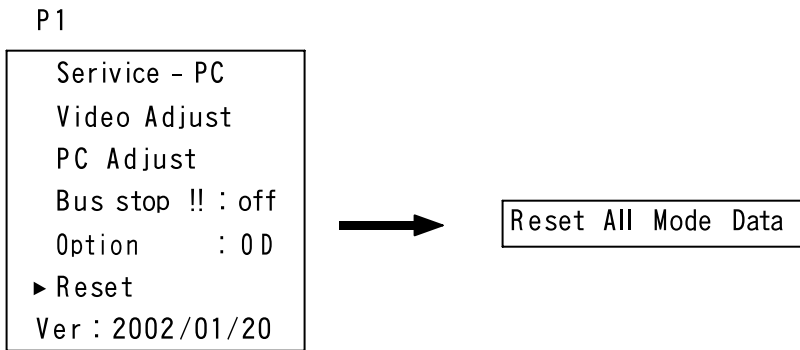
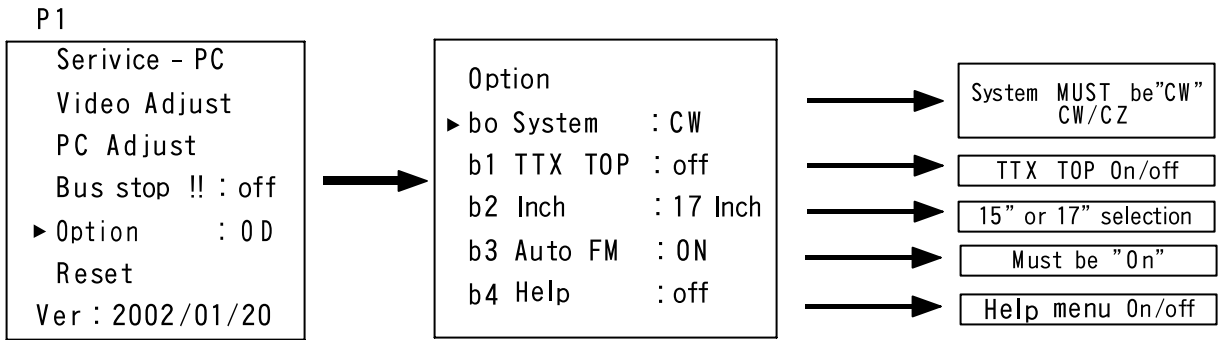
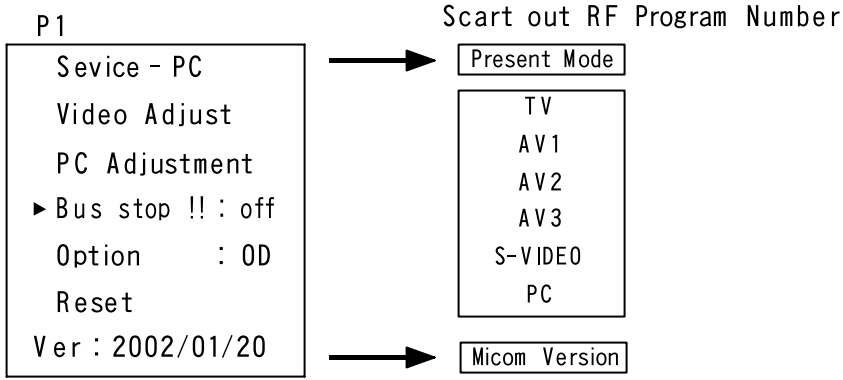


- If you have Factory remote - control



### 4-2-2 Factory Mode Tree

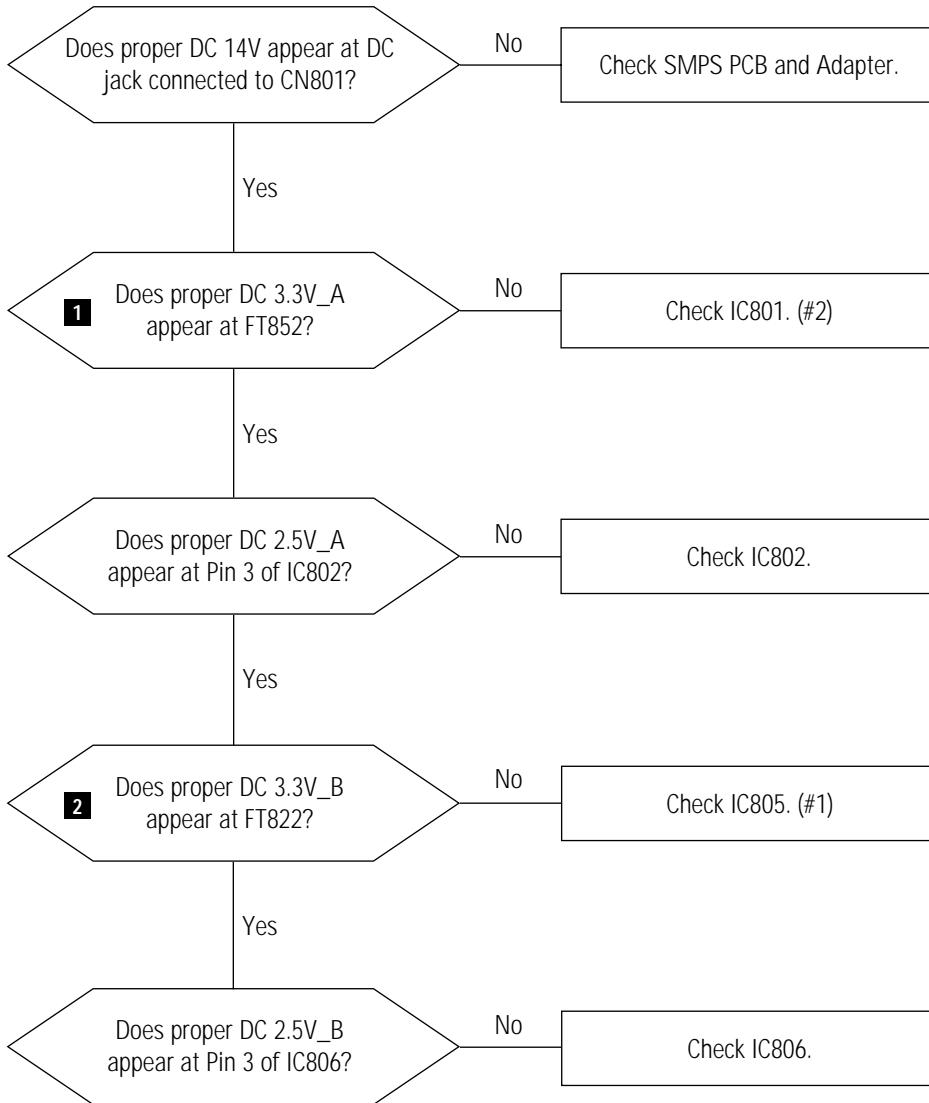




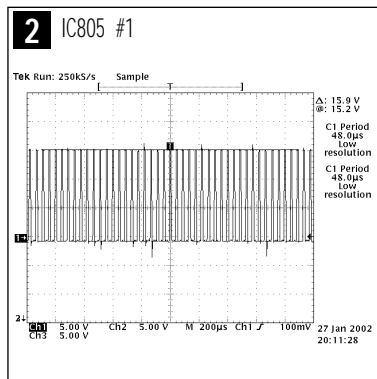
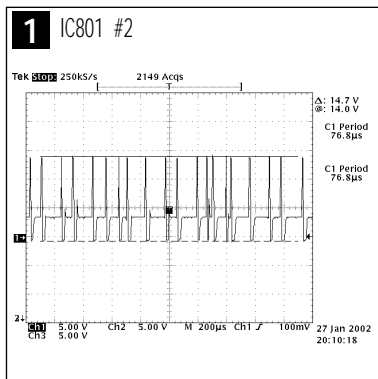
**Memo**

# 5 Troubleshooting

## 5-1 No Power

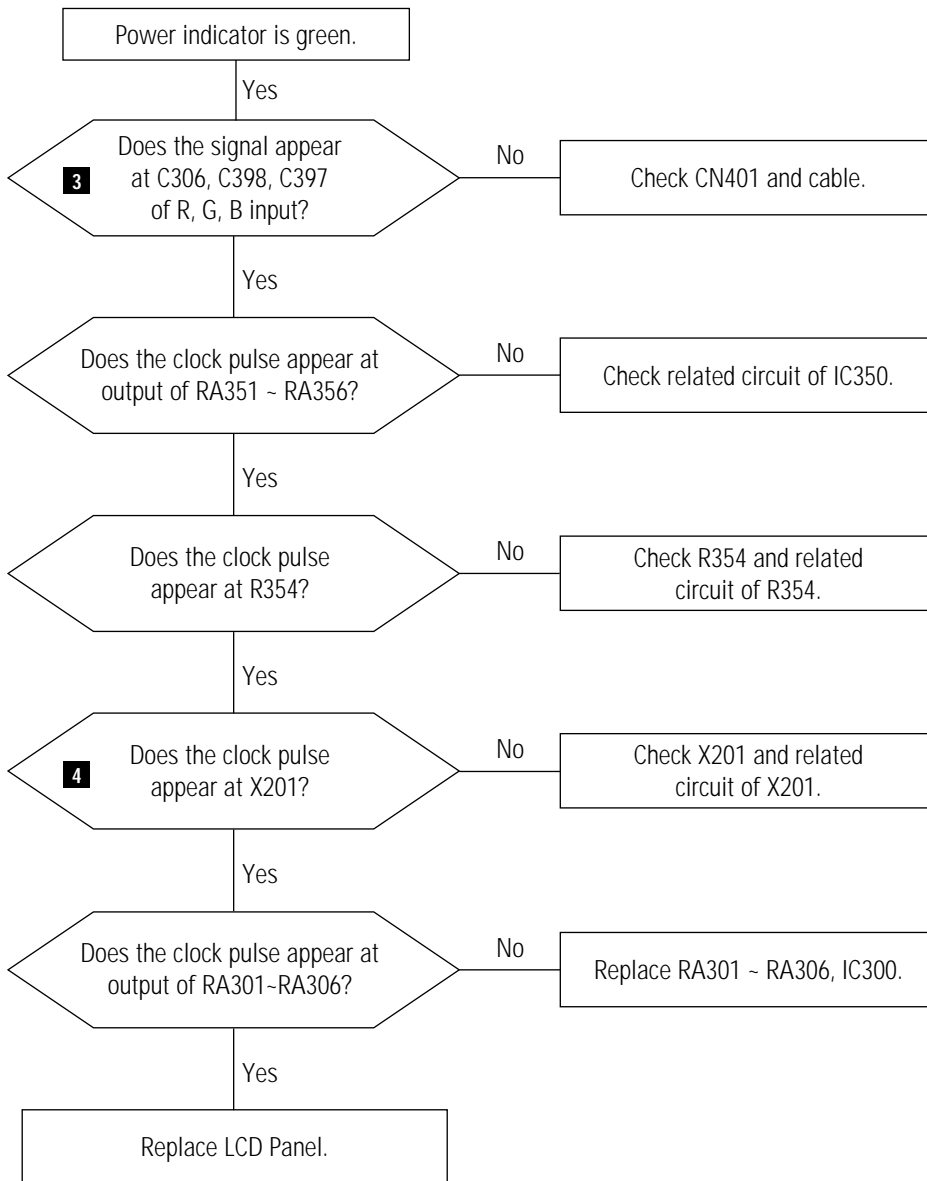


### WAVEFORMS

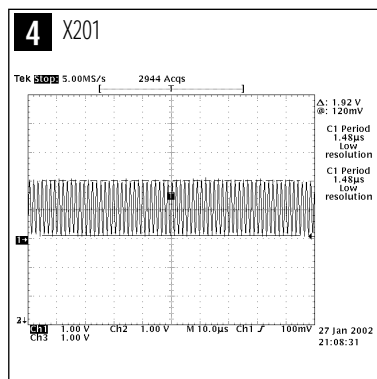
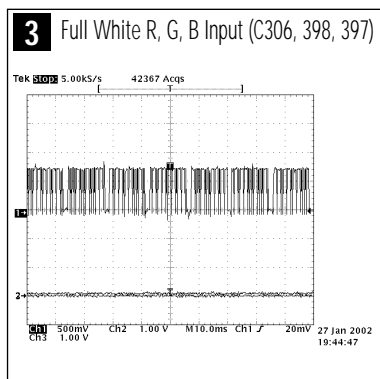




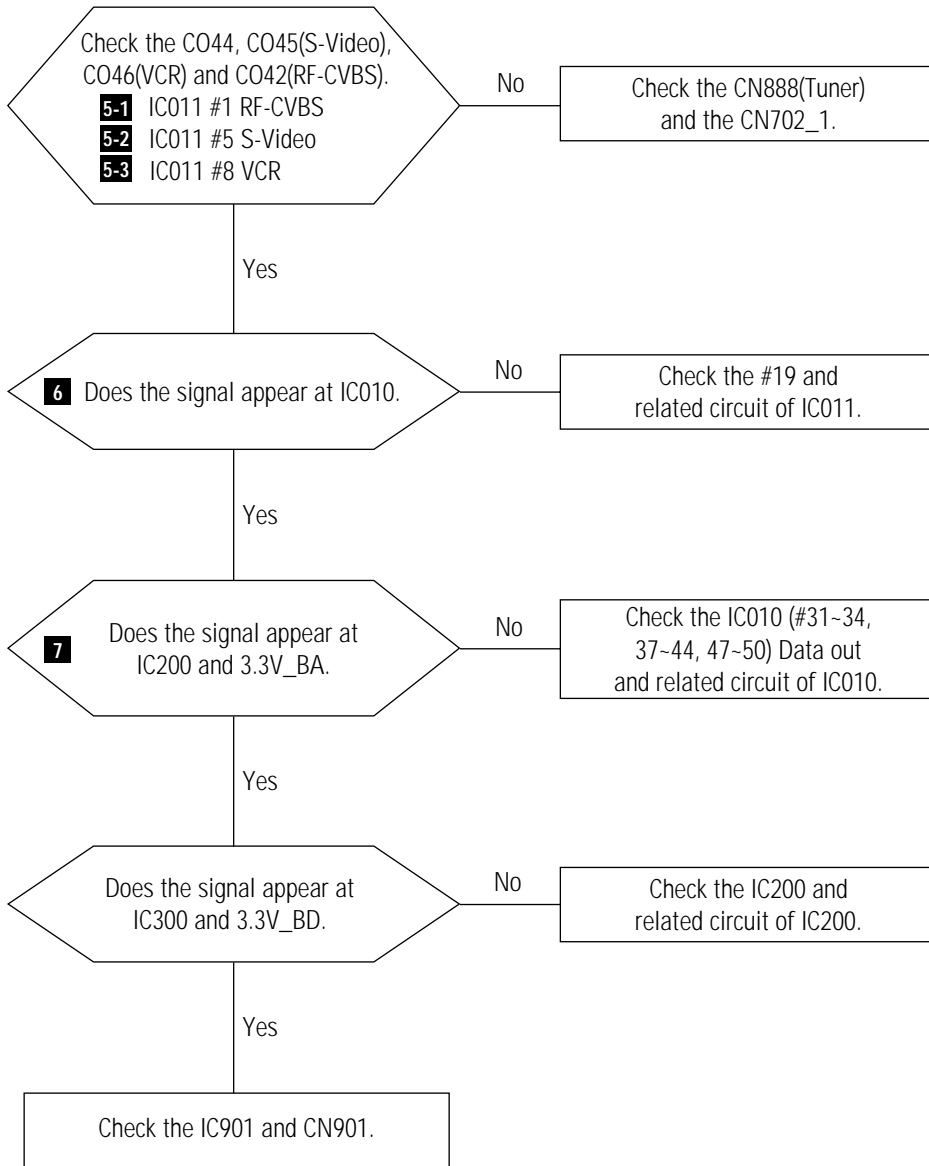
**5-2 No Video (PC Signal)**



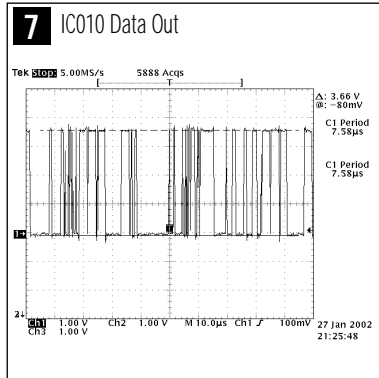
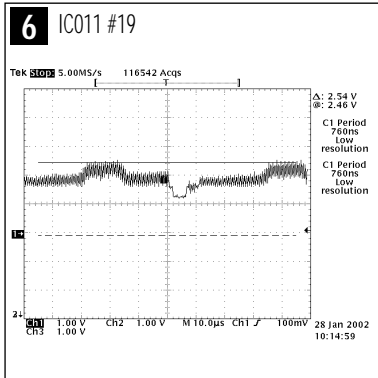
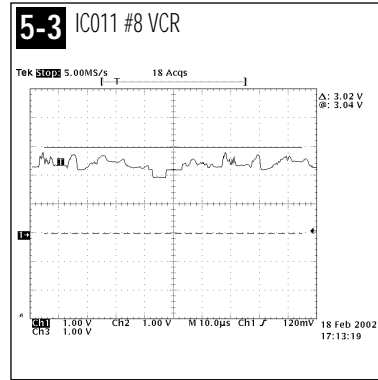
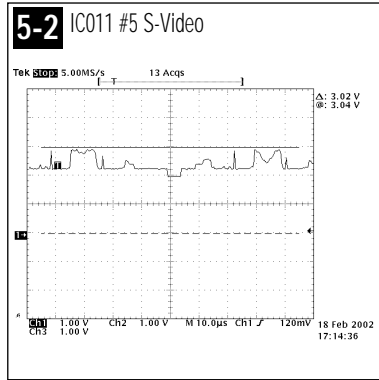
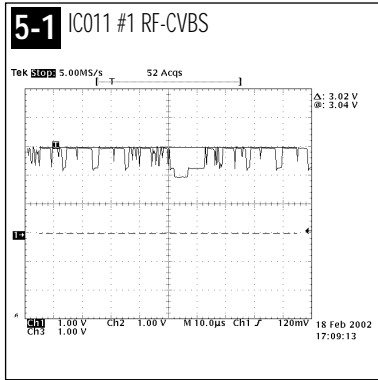
**WAVEFORMS**



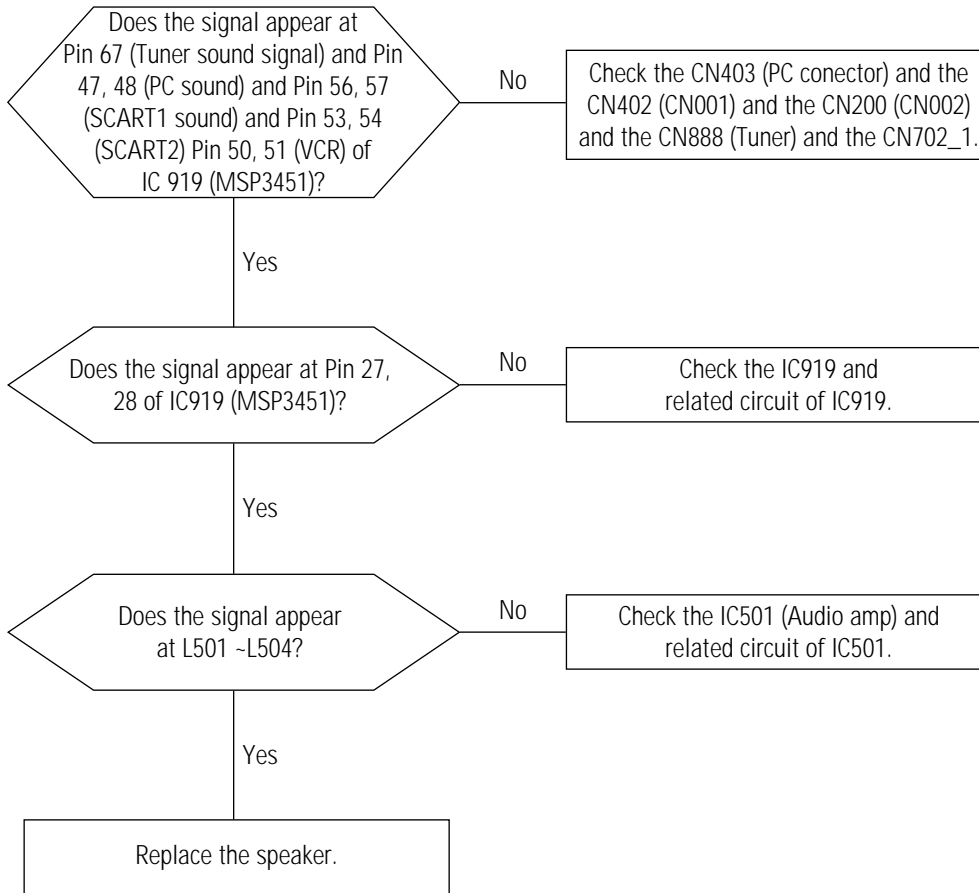
### 5-3 No Picture (TV, Video, S-Video, SCART)



**WAVEFORMS**



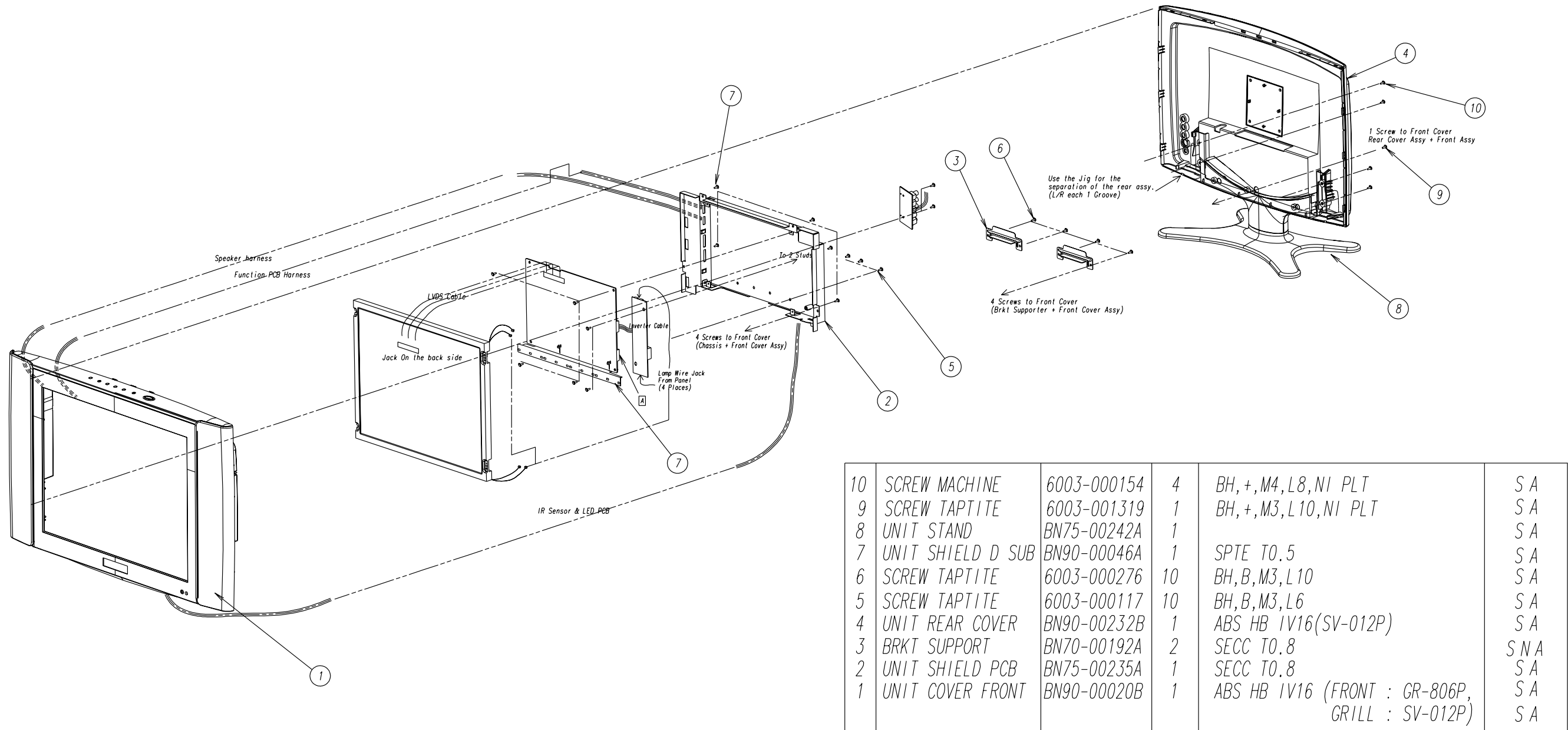
**5-4 No Sound**



**Memo**

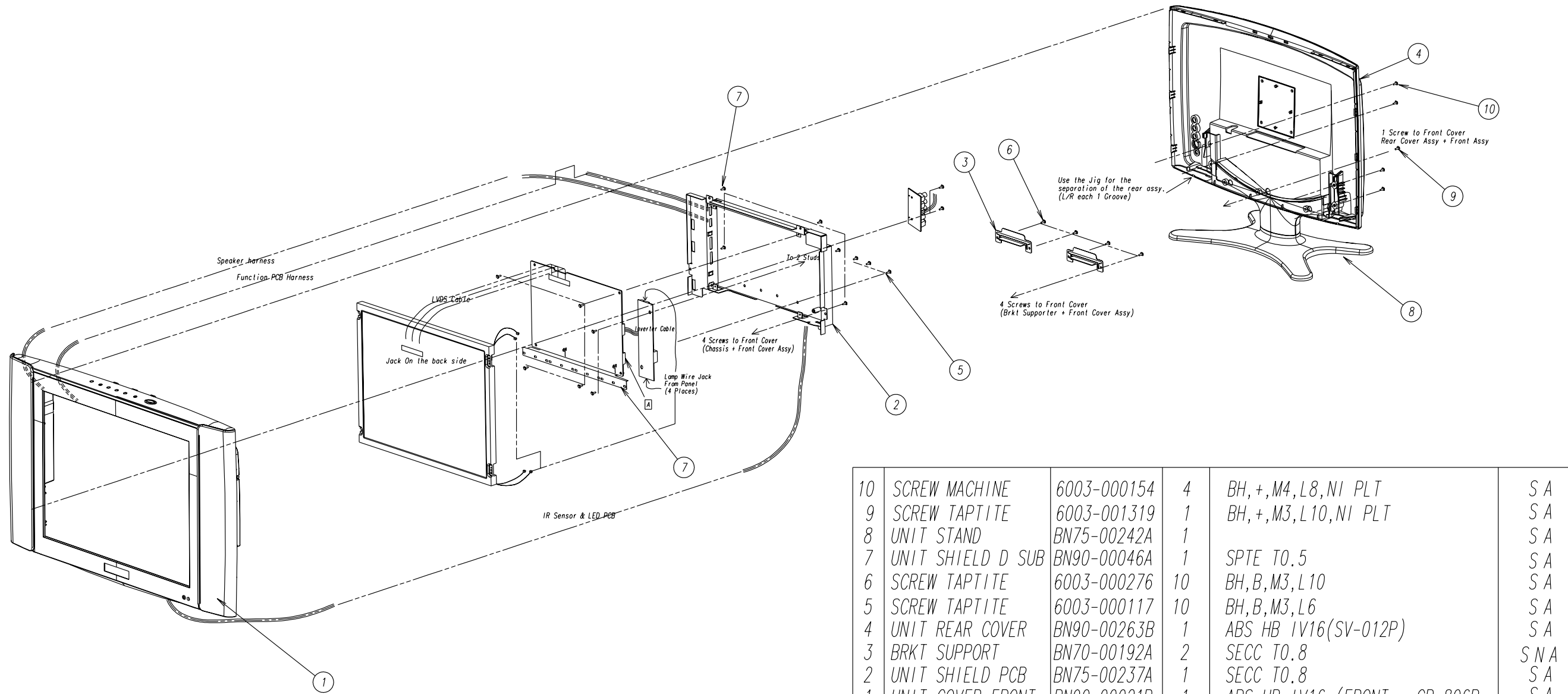
6 Exploded View and Parts List

6-1 NK15A\*



10	SCREW MACHINE	6003-000154	4	BH,+ ,M4,L8,NI PLT	S A
9	SCREW TAPTITE	6003-001319	1	BH,+ ,M3,L10,NI PLT	S A
8	UNIT STAND	BN75-00242A	1		S A
7	UNIT SHIELD D SUB	BN90-00046A	1	SPT E T0.5	S A
6	SCREW TAPTITE	6003-000276	10	BH,B,M3,L10	S A
5	SCREW TAPTITE	6003-000117	10	BH,B,M3,L6	S A
4	UNIT REAR COVER	BN90-00232B	1	ABS HB IV16(SV-012P)	S A
3	BRKT SUPPORT	BN70-00192A	2	SECC T0.8	S N A
2	UNIT SHIELD PCB	BN75-00235A	1	SECC T0.8	S A
1	UNIT COVER FRONT	BN90-00020B	1	ABS HB IV16 (FRONT : GR-806P, GRILL : SV-012P)	S A
No	Part Name	Code No	Q'TY	Specification	Remark

6-2 NK17A\*



10	SCREW MACHINE	6003-000154	4	BH, +, M4, L8, NI PLT	S A
9	SCREW TAPTITE	6003-001319	1	BH, +, M3, L10, NI PLT	S A
8	UNIT STAND	BN75-00242A	1		S A
7	UNIT SHIELD D SUB	BN90-00046A	1	SPT E T0.5	S A
6	SCREW TAPTITE	6003-000276	10	BH, B, M3, L10	S A
5	SCREW TAPTITE	6003-000117	10	BH, B, M3, L6	S A
4	UNIT REAR COVER	BN90-00263B	1	ABS HB IV16(SV-012P)	S A
3	BRKT SUPPORT	BN70-00192A	2	SECC T0.8	S N A
2	UNIT SHIELD PCB	BN75-00237A	1	SECC T0.8	S A
1	UNIT COVER FRONT	BN90-00021B	1	ABS HB IV16 (FRONT : GR-806P, GRILL : SV-012P)	S A
No	Part Name	Code No	Q'TY	Specification	Remark

BN90-00217A	-	ASSY STAND	NK17NS	SNA
BN96-00204A	STD	ASSY STAND P	EOS/NIKE17", SILVER SPRAY	SNA
6003-000009	STD	SCREW-TAPTITE	BH,+,B,M4,L16,ZPC(YEL),SWRCH18	SNA
6003-001010	STD	SCREW-TAPTITE	FH,+,B,M3,L6,ZPC(YEL),SWRCH18A	
6003-001315	STD	SCREW-TAPTITE	BH,+,B,M4,L20,ZPC(YEL),SWRCH18A	SNA
BH73-60339A	STD	RUBBER-LEG	SLC1400,EVA,GRAY,65HB,DIA13*H2	SNA
BN61-00184A	STD	STAND-BASE	ES15AS,ABS PC,GR40,SV-012P	SNA
BN61-00266A	STD	FRAME-STAND BASE	EOS / NIKE,EGI T1.2	
BN72-00254A	STD	STAND-COVER REAR	EOS 15,ABS,HB,IV16,SPRAY	SNA
BN72-00257A	STD	STAND FRONT	EOS 15,ABS,HB,16,SPRAY	SNA
BN75-00211A	STD	UNIT-HINGE	EOS15,-,SECC T2.0,-,-,-,-,-	SNA
BN90-00247G	-	ASSY COVER REAR	NK17AS	SNA
BN90-00263B	CIS	ASSY REAR	NK17AS(PAL),ABS HB,SV-012P,SPRAY	
BN63-00102A	CIS	COVER-REAR	NIKE 17",ABS,-,-,-,HB,-,IV16,NONE,1.5	SNA
BN70-00176A	CIS	BRACKET VESA	RB15AS,SECC,1	SNA
BN90-00303J	-	ASSY COVER FRONT	NK17AS	SNA
6003-001319	C/F+C/R	SCREW-TAPTITE	BH,+,B,M3,L10,NI PLT,SWRCH18A,-	SNA
BN90-00021B	CIS	ASSY COVER FRONT	NK17AS(PAL),-,ABS,HB,-,BL-903P,-,-,SPRAY	
6003-000259	CIS	SCREW-TAPTITE	BH,+,B,M3,L8,ZPC(YEL),SWRCH18A	SNA
6003-000276	CIS	SCREW-TAPTITE	BH,+,B,M3,L10,ZPC(YEL),SWCH10	SNA
BN59-00233A	CIS	BOARD-FUNCTION	NK17NS,-,-,FUNCTION PCB,-,-,-	SNA
BN59-00234A	CIS	BOARD-IR PCB	NK17NS,-,-,IR PCB,-,-,-	SNA
BN59-00263A	CIS	SPEAKER SYSTEM	EOS/NIKE17,EOS/NIKE17-L,100X42,WIRE:240MM	SNA
BN59-00274A	CIS	SPEAKER SYSTEM	NIKE17,NIKE17-R,100X42,WIRE:630MM	SNA
BN63-00039A	CIS	GASKET-EMI	CN18ASE,-,0.3MM,7MM,380MM,-,-,-	SNA
BN63-00101A	CIS	COVER-FRONT	NIKE17",ABS,-,-,-,HB,-,IV16,NONE,1.5	SNA
BN64-00031A	CIS	BADGE-BRAND	RB15AS,AL,T1.4,6.3,40.1,-,SILVER,-	SNA
BN64-00048A	CIS	KNOB-FUNCTION	NIKE 17",ABS,-,-,-,HB,IV16,-,SPRAY	SNA
BN67-00020A	CIS	LENS-LED	EOS15,ACRYL,CLEAR,-,-,-,-	
BN91-00247A	-	ASSY CHASSIS	NK17AS	
BN94-00270A	-	ASSY PCB MAIN	NK17AS	SNA
0201-001223	CIS	ADHESIVE-TS	HT-130S,RED,700+/- 50,-	SNA
0202-001044	CIS	SOLDER-WIRE.	S63S-W3.0,S63S,D3,63Sn/37Pb,-	SNA
0202-001046	CIS	SOLDER-WIRE FLUX	CF-110VH-2A,-,-,-,-	SNA
0202-001222	CIS	SOLDER-WIRE FLUX	RS-107,RS60-1.2AA,D1.2,SN60/PB40,-	SNA
0204-001095	CIS	THINNER	#4520,-,-,-	SNA
0402-000208	CIS	DIODE-RECTIFIER	EK-04,40V,1.5A,DO-41	
2004-000970	CIS	R-METAL	470ohm,1%,1/4W,AA,TP,2.4x6.4mm	
2401-000010	C845	C-AL	220uF,20%,16V,GP,-,6.3x11mm,2.	
2401-000010	C851	C-AL	220uF,20%,16V,GP,-,6.3x11mm,2.	
2401-000010	C857	C-AL	220uF,20%,16V,GP,-,6.3x11mm,2.	
2401-001363	C971	C-AL	470uF,20%,16V,GP,TP,10x12.5,5	
2401-001363	C981	C-AL	470uF,20%,16V,GP,TP,10x12.5,5	
2401-003224	C876	C-AL	470uF,20%,16V,WT,TP,8X11.5,5mm	
2409-001044	C847	C-ORGANIC	100UF,+/-20%,16V,WT,TP,8X10.5,5	
2701-000146	L151	INDUCTOR-AXIAL	2.2uH,10%,2.5x3.4mm	
2701-000146	L152	INDUCTOR-AXIAL	2.2uH,10%,2.5x3.4mm	
2701-000146	L804	INDUCTOR-AXIAL	2.2uH,10%,2.5x3.4mm	
3701-001219	CN401	CONNECTOR-DSUB	15P,3R,FEMALE,ANGLE,AUF	
3711-000057	CN706_1	CONNECTOR-HEADER	BOX,3P,1R,2.5mm,ANGLE,SN	SNA
3711-000654	CNJ1G	CONNECTOR-HEADER	BOX,12P,1R,2.5mm,STRAIGHT,SN	
3711-004270	CN501	CONNECTOR-HEADER	BOX,2P,1R,2MM,ANGLE,SN	SNA
3711-004386	CN502	CONNECTOR-HEADER	BOX,3P,1R,2mm,ANGLE,SN	SNA
3722-000110	CN810	JACK-DC POWER	1P,-,NI,BLACK,-	
3722-000117	CN801	JACK-DC POWER	3P,3.5MM,AG,BLK,NO	SNA
3722-001055	CN403	JACK-PHONE	5P/2C,3.6PI,AG,BLK,#16-22	
3722-001806	CN001	JACK-SCART	21P,-,SNPB,BLK,-	Page 1
3722-001806	CN002	JACK-SCART	21P,-,SNPB,BLK,-	
6003-000117	IN/PCB+SH/PCB	SCREW-TAPTITE	BH,+,B,M3,L6,ZPC(YEL),SWRCH18A	SNA



6003-000117	M/PCB+SH/PCB	SCREW-TAPTITE	BH,+,B,M3,L6,ZPC(YEL),SWRCH18A	SNA
6003-000117	SH/D_SUB+SH/PCB	SCREW-TAPTITE	BH,+,B,M3,L6,ZPC(YEL),SWRCH18A	SNA
AA39-00046A	CIS	LEAD CONNECTOR-ASSY	,1P,JUMPER,BLK,60MM,1007#22	
BN39-00002A	CIS	CBF-HARNESS	-,60,BLU/WHT,-,26,-	
BN39-00247B	CIS	LEAD CONNECTOR-ASSY	NK17A5,UL2835#28,UL/CSA,6P,#28,12505HS-06,12505HS-06,BK,180MM,2835#28,SJ02-01-00	
BN40-00005A	CN888	RF MODULATOR-PAL	TCPQ9091PD27D,PAL,-,-,-,5V,-10TO+65C,50DB,55DB	
BN44-00041A	CIS	INVERTER	ML17,SIC1803,48KHz,14VDC,1.5mA rms,7.2mA rms,48Khz,160*45*17,4LAMP,48Khz,-,-	
BN83-00065A	CIS	CKD-BN44-00056A	BN44-00056A,1203-000560	SNA
BN83-00066A	CIS	CKD-BN44-00056A	BN44-00056A,1201-000471	SNA
BN83-00067A	CIS	CKD-BN44-00056A	BN44-00056A,1202-000104	SNA
BN83-00068A	CIS	CKD-BN44-00056A	BN44-00056A,0504-000158	SNA
BN83-00069A	CIS	CKD-BN44-00056A	BN44-00056A,0501-000457	SNA
BN83-00070A	CIS	CKD-BN44-00056A	BN44-00056A,0504-000129	SNA
BN83-00071A	CIS	CKD-BN44-00056A	BN44-00056A,0501-000462	SNA
BN83-00074A	CIS	CKD-BN44-00056A	BN44-00056A,0407-000114	SNA
BN83-00076A	CIS	CKD-BN44-00056A	BN44-00056A,0407-000122	SNA
BN83-00081A	CIS	CKD-BN44-00056A	BN44-00056A,2203-000206	SNA
BN83-00082A	CIS	CKD-BN44-00056A	BN44-00056A,2203-001458	SNA
BN83-00083A	CIS	CKD-BN44-00056A	BN44-00056A,2203-000455	SNA
BN83-00084A	CIS	CKD-BN44-00056A	BN44-00056A,2203-000590	SNA
BN83-00085A	CIS	CKD-BN44-00056A	BN44-00056A,2203-001130	SNA
BN83-00086A	CIS	CKD-BN44-00056A	BN44-00056A,2203-002793	SNA
BN83-00092A	CIS	CKD-BN44-00056A	BN44-00056A,2007-000872	SNA
BN83-00106A	CIS	CKD-BN44-00056A	BN44-00056A,2104-000224	SNA
BN83-00108A	CIS	CKD-BN44-00056A	BN44-00056A,3601-001038	SNA
BN83-00110A	CIS	CKD-BN44-00056A	BN44-00056A,3711-000556	SNA
BN83-00111A	CIS	CKD-BN44-00056A	BN44-00056A,3711-004702	SNA
BN83-00264A	CIS	CKD-0402-000554	INVERTER	
BN83-00265A	CIS	CKD-0501-002218	INVERTER	
BN83-00266A	CIS	CKD-0505-001220	INVERTER	
BN83-00267A	CIS	CKD-0505-001348	INVERTER	
BN83-00268A	CIS	CKD-2007-000003	INVERTER	
BN83-00269A	CIS	CKD-2007-000029	INVERTER	
BN83-00270A	CIS	CKD-2007-000221	INVERTER	
BN83-00271A	CIS	CKD-2007-000282	INVERTER	
BN83-00272A	CIS	CKD-2007-000300	INVERTER	
BN83-00273A	CIS	CKD-2007-000534	INVERTER	
BN83-00274A	CIS	CKD-2007-000546	INVERTER	
BN83-00275A	CIS	CKD-2007-000615	INVERTER	
BN83-00276A	CIS	CKD-2007-000689	INVERTER	
BN83-00277A	CIS	CKD-2007-000703	INVERTER	
BN83-00278A	CIS	CKD-2007-000793	INVERTER	
BN83-00279A	CIS	CKD-2007-000830	INVERTER	
BN83-00280A	CIS	CKD-2007-000844	INVERTER	
BN83-00281A	CIS	CKD-2007-000941	INVERTER	
BN83-00282A	CIS	CKD-2007-001039	INVERTER	
BN83-00283A	CIS	CKD-2007-001113	INVERTER	
BN83-00284A	CIS	CKD-2007-001241	INVERTER	
BN83-00285A	CIS	CKD-2007-001710	INVERTER	
BN83-00286A	CIS	CKD-2007-002529	INVERTER	
BN83-00287A	CIS	CKD-2201-002115	INVERTER	
BN83-00288A	CIS	CKD-2203-002494	INVERTER	
BN83-00289A	CIS	CKD-2301-001359	INVERTER	
BN83-00291A	CIS	CKD-2401-003549	INVERTER	
BN83-00293A	CIS	CKD-LH26-00135A	INVERTER	
BN83-00295A	CIS	CKD-LH26-00136A	INVERTER	
BN83-00297A	CIS	CKD-LH27-00145A	INVERTER	
BN83-00299A	CIS	CKD-LH41-00227A	INVERTER	
BN83-00300A	CIS	CKD-LH72-00173A	INVERTER	

BN83-00301A	CIS	CKD-LH93-05016Z	INVERTER	
BN83-00302A	CIS	CKD-LH93-10009P	INVERTER	
BN83-00303A	CIS	CKD-LH93-20016M	INVERTER	
BN62-00003A	HS200	HEAT SINK- IC	NK, SUN, A6063S, T2.5, W28, L28, -, BH62, -	SNA
BN62-00003A	HS300	HEAT SINK- IC	NK, SUN, A6063S, T2.5, W28, L28, -, BH62, -	SNA
BN75-00237A	CIS	UNIT-SHIELD PCB	NIKE 17", -, SECC, TO.8, -, -, -, -	SNA
BN90-00046B	CIS	ASSY SHIELD-D-SUB	NK15AS(PAL), -, SPTE, TO.5, -, -, -, -	SNA
BN96-00048A	CIS	ASSY MISC P-SHIELD COVER	NK15NS, NK17NS	SNA
BN39-00254A	CIS	LEAD CONNECTOR-ASSY	NK15AS, UL1015#18, UL/CSA, 1P, BLK, #18, 35750-1010, 35798-9810, BK, 100MM, 1015#18, SJ02-0	
BN63-00163A	CIS	GASKET	GH17PSS, CONDUCTIVE FABRIC, 8MM, 60MM, 90MM, GRAY, 71TSSK 60-8-90-13, 71TSSK 60-8-90-13	SNA
BN63-00206A	CIS	SHIELD-COVER	NK15NS, SPTE, TO.3	SNA
BN97-00065B	-	ASSY MICOM	NK17AS, -, -, -, -, -, -, -	
1102-001129	IC620	IC-EPROM	M27W401, 512KX8BIT, PLCC, 32P, 11.35X13.89MM, 80NS, 3.3V, 10%, PLASTIC, -40TO+85C, -, CMOS,	
BN46-00010B	CIS	S/W MICOM	NK17AS, -, -, -, -, -, -	SNA
BN97-00069A	-	ASSY SMD-MAIN	NK17AS	SNA
0202-001162	CIS	SOLDER-CREAM	RMA-20-21L, S63, -, SN63/PB36.6/AGO.4, FLUX9.5%	SNA
0401-001056	D406	DIODE-SWITCHING	MMBD4148SE, 75V, 200MA, SOT-23, TP	
0401-001056	D407	DIODE-SWITCHING	MMBD4148SE, 75V, 200MA, SOT-23, TP	
0401-001056	D408	DIODE-SWITCHING	MMBD4148SE, 75V, 200MA, SOT-23, TP	
0401-001056	D501	DIODE-SWITCHING	MMBD4148SE, 75V, 200MA, SOT-23, TP	
0401-001056	D681	DIODE-SWITCHING	MMBD4148SE, 75V, 200MA, SOT-23, TP	
0401-001056	D804	DIODE-SWITCHING	MMBD4148SE, 75V, 200MA, SOT-23, TP	
0402-000553	D802	DIODE-RECTIFIER	SS24, 40V, 2.0A, DO-214AA	
0402-001098	D803	DIODE-RECTIFIER	SK34, 40V, 3A, SMC, TP	
0403-000579	D401	DIODE-ZENER	BZX84C5V1, 5.1V, 5%, 200mW, SOT-23	
0403-000579	D402	DIODE-ZENER	BZX84C5V1, 5.1V, 5%, 200mW, SOT-23	
0403-000579	D403	DIODE-ZENER	BZX84C5V1, 5.1V, 5%, 200mW, SOT-23	
0403-000579	D404	DIODE-ZENER	BZX84C5V1, 5.1V, 5%, 200mW, SOT-23	
0403-000579	D601	DIODE-ZENER	BZX84C5V1, 5.1V, 5%, 200mW, SOT-23	
0403-000579	D602	DIODE-ZENER	BZX84C5V1, 5.1V, 5%, 200mW, SOT-23	
0403-000579	D604	DIODE-ZENER	BZX84C5V1, 5.1V, 5%, 200mW, SOT-23	
0403-001048	D001	DIODE-ZENER	BZX84C16, 16V, 15.3-17.1V, 225mW,	
0403-001048	D010	DIODE-ZENER	BZX84C16, 16V, 15.3-17.1V, 225mW,	
0403-001052	D002	DIODE-ZENER	RD8.2MB, 8.2V, 7.7-8.64V, 200mW, S	
0403-001052	D003	DIODE-ZENER	RD8.2MB, 8.2V, 7.7-8.64V, 200mW, S	
0403-001052	D004	DIODE-ZENER	RD8.2MB, 8.2V, 7.7-8.64V, 200mW, S	
0403-001052	D005	DIODE-ZENER	RD8.2MB, 8.2V, 7.7-8.64V, 200mW, S	
0403-001052	D006	DIODE-ZENER	RD8.2MB, 8.2V, 7.7-8.64V, 200mW, S	
0403-001052	D007	DIODE-ZENER	RD8.2MB, 8.2V, 7.7-8.64V, 200mW, S	
0403-001052	D008	DIODE-ZENER	RD8.2MB, 8.2V, 7.7-8.64V, 200mW, S	
0403-001052	D009	DIODE-ZENER	RD8.2MB, 8.2V, 7.7-8.64V, 200mW, S	
0403-001052	D011	DIODE-ZENER	RD8.2MB, 8.2V, 7.7-8.64V, 200mW, S	
0403-001052	D012	DIODE-ZENER	RD8.2MB, 8.2V, 7.7-8.64V, 200mW, S	
0403-001052	D013	DIODE-ZENER	RD8.2MB, 8.2V, 7.7-8.64V, 200mW, S	
0403-001052	D014	DIODE-ZENER	RD8.2MB, 8.2V, 7.7-8.64V, 200mW, S	
0403-001052	D015	DIODE-ZENER	RD8.2MB, 8.2V, 7.7-8.64V, 200mW, S	
0403-001052	D016	DIODE-ZENER	RD8.2MB, 8.2V, 7.7-8.64V, 200mW, S	
0403-001052	D017	DIODE-ZENER	RD8.2MB, 8.2V, 7.7-8.64V, 200mW, S	
0403-001052	D018	DIODE-ZENER	RD8.2MB, 8.2V, 7.7-8.64V, 200mW, S	
0403-001052	D019	DIODE-ZENER	RD8.2MB, 8.2V, 7.7-8.64V, 200mW, S	
0403-001052	D020	DIODE-ZENER	RD8.2MB, 8.2V, 7.7-8.64V, 200mW, S	
0403-001052	D021	DIODE-ZENER	RD8.2MB, 8.2V, 7.7-8.64V, 200mW, S	
0403-001052	D022	DIODE-ZENER	RD8.2MB, 8.2V, 7.7-8.64V, 200mW, S	
0403-001052	D023	DIODE-ZENER	RD8.2MB, 8.2V, 7.7-8.64V, 200mW, S	
0403-001052	D024	DIODE-ZENER	RD8.2MB, 8.2V, 7.7-8.64V, 200mW, S	
0403-001052	D025	DIODE-ZENER	RD8.2MB, 8.2V, 7.7-8.64V, 200mW, S	
0403-001052	D026	DIODE-ZENER	RD8.2MB, 8.2V, 7.7-8.64V, 200mW, S	
0403-001052	D101	DIODE-ZENER	RD8.2MB, 8.2V, 7.7-8.64V, 200mW, S	
0403-001052	D102	DIODE-ZENER	RD8.2MB, 8.2V, 7.7-8.64V, 200mW, S	

0403-001052	D103	DIODE-ZENER	RD8.2MB, 8.2V, 7.7-8.64V, 200mW, S
0403-001052	D104	DIODE-ZENER	RD8.2MB, 8.2V, 7.7-8.64V, 200mW, S
0403-001052	D116	DIODE-ZENER	RD8.2MB, 8.2V, 7.7-8.64V, 200mW, S
0403-001052	D117	DIODE-ZENER	RD8.2MB, 8.2V, 7.7-8.64V, 200mW, S
0403-001052	D118	DIODE-ZENER	RD8.2MB, 8.2V, 7.7-8.64V, 200mW, S
0403-001052	D119	DIODE-ZENER	RD8.2MB, 8.2V, 7.7-8.64V, 200mW, S
0403-001052	D120	DIODE-ZENER	RD8.2MB, 8.2V, 7.7-8.64V, 200mW, S
0403-001052	D121	DIODE-ZENER	RD8.2MB, 8.2V, 7.7-8.64V, 200mW, S
0403-001052	D122	DIODE-ZENER	RD8.2MB, 8.2V, 7.7-8.64V, 200mW, S
0403-001052	D543	DIODE-ZENER	RD8.2MB, 8.2V, 7.7-8.64V, 200mW, S
0403-001052	D545	DIODE-ZENER	RD8.2MB, 8.2V, 7.7-8.64V, 200mW, S
0403-001052	D570	DIODE-ZENER	RD8.2MB, 8.2V, 7.7-8.64V, 200mW, S
0403-001052	D571	DIODE-ZENER	RD8.2MB, 8.2V, 7.7-8.64V, 200mW, S
0403-001435	D502	DIODE-ZENER	QZX363C5V6, 5.32-5.88, 200MW, SOT-363, TP
0404-001166	D801	DIODE-SCHOTTKY	MBRM130LT3, 30V, 1000MA, DO-216AA, TP
0404-001166	D880	DIODE-SCHOTTKY	MBRM130LT3, 30V, 1000MA, DO-216AA, TP
0407-000123	D405	DIODE-ARRAY	DAN202K, 80V, 100MA, CA2-3, SOT-23, TP
0501-000342	Q020	TR-SMALL SIGNAL	KSC1623-Y, NPN, 200mW, SOT-23, TP, 135-270
0501-000342	Q201	TR-SMALL SIGNAL	KSC1623-Y, NPN, 200mW, SOT-23, TP, 135-270
0501-000342	Q501	TR-SMALL SIGNAL	KSC1623-Y, NPN, 200mW, SOT-23, TP, 135-270
0501-000342	Q555	TR-SMALL SIGNAL	KSC1623-Y, NPN, 200mW, SOT-23, TP, 135-270
0501-000342	Q601	TR-SMALL SIGNAL	KSC1623-Y, NPN, 200mW, SOT-23, TP, 135-270
0501-000342	Q611	TR-SMALL SIGNAL	KSC1623-Y, NPN, 200mW, SOT-23, TP, 135-270
0501-002080	Q001	TR-SMALL SIGNAL	2SC2412K, NPN, 200mW, SC-59, TP, 120-270
0501-002080	Q002	TR-SMALL SIGNAL	2SC2412K, NPN, 200mW, SC-59, TP, 120-270
0501-002080	Q602	TR-SMALL SIGNAL	2SC2412K, NPN, 200mW, SC-59, TP, 120-270
0501-002080	Q711	TR-SMALL SIGNAL	2SC2412K, NPN, 200mW, SC-59, TP, 120-270
0501-002080	Q713	TR-SMALL SIGNAL	2SC2412K, NPN, 200mW, SC-59, TP, 120-270
0501-002080	Q808	TR-SMALL SIGNAL	2SC2412K, NPN, 200mW, SC-59, TP, 120-270
0501-002080	Q812	TR-SMALL SIGNAL	2SC2412K, NPN, 200mW, SC-59, TP, 120-270
0501-002080	Q813	TR-SMALL SIGNAL	2SC2412K, NPN, 200mW, SC-59, TP, 120-270
0505-001170	IC808	FET-SILICON	SI9933ADY-T1, P, -20V, 3.4A, 0.06ohm, 2W, SO-8
0801-002267	IC406	IC-CMOS LOGIC	74LCX14, -, SOIC, 14P, 150MIL, -, TP, -, -, -, 3.6V, -40TO+85C, -, 5.5V, -, -, 24MA
0904-001009	IC631	IC-I/O SUPPORT CHIP	8574A, -, SOP, 16P, 300MIL, 100KHz,
0904-001009	IC632	IC-I/O SUPPORT CHIP	8574A, -, SOP, 16P, 300MIL, 100KHz,
1001-001082	IC013	IC-VIDEO SWITCH	BA7657F, -, SOP, 24P, 300MIL, SINGL
1001-001109	IC012	IC-ANALOG SWITCH	FST3125M, BUS SWITCH & CMOS, SOIC, 17P, 150MIL, QUAD, 7V, -40TO+85C, PLASTIC, -, 4.0OHM, 5.
1001-001109	IC681	IC-ANALOG SWITCH	FST3125M, BUS SWITCH & CMOS, SOIC, 17P, 150MIL, QUAD, 7V, -40TO+85C, PLASTIC, -, 4.0OHM, 5.
1001-001177	IC011	IC-VIDEO SWITCH	TEA6425D, VIDEO SWITCH, SOIC, 20P, 300MIL, -, 8.8V, 0TO+70C, PLASTIC, -, -, -, 2UA, ST, -
1001-001190	IC001	IC-ANALOG SWITCH	FST16233MTD, BUS SWITCH, TSSOP, 56P, 240MIL, -, 5.5V, -40TO+85C, PLASTIC, -, 200HM, 8.5NS, 7
1002-001292	IC350	IC-A/D CONVERTER	AD9883AKST-110, 8BITS, QFP, 80P, 551MIL, ±0.5LSB, TR, CMOS, PLASTIC, 3.3V, -25TO+85C, 650M
1003-001419	IC300	IC-DISPLAY DRIVER	MN82860, QFP, 208P, 1102MIL, -, -, TR, PLASTIC, 3.3V, -, 2.3W, -, -
1103-000129	IC401	IC-EEPROM	24C02, 256x8BIT, SOP, 8P, 150MIL, 1
1103-000138	IC603	IC-EEPROM	24C16, 2Kx8BIT, SOP, 8P, 150MIL, 10
1109-001195	IC210	IC-VIDEO RAM	K4G323222A, 2X512KX32BIT, PQFP, 100P, -, 6NS, 3.3V, 10%, PLASTIC, 0TO+70C, 2MA, CMOS, TR
1109-001195	IC211	IC-VIDEO RAM	K4G323222A, 2X512KX32BIT, PQFP, 100P, -, 6NS, 3.3V, 10%, PLASTIC, 0TO+70C, 2MA, CMOS, TR
1201-001495	IC530	IC-AUDIO AMP	7050, SOP, 8P, 150MIL, DUAL, 26DB, PLASTIC, 6V, 0.25W, -, 40DB, -, -, 20NA, -
1201-001681	IC501	IC-AUDIO AMP	1101, SOP, 30P, 433MIL, -, -, PLASTIC, 13.2V, -, 0to+70C, -, -, -, -, TP
1203-000404	IC801	IC-DC/DC CONVERTER	34063, SOP, 8P, 150MIL, PLASTIC, 1.0/1.3V, -, 0TO+70C, 4.0MA, -, ST
1203-000404	IC810	IC-DC/DC CONVERTER	34063, SOP, 8P, 150MIL, PLASTIC, 1.0/1.3V, -, 0TO+70C, 4.0MA, -, ST
1203-001212	IC604	IC-VOL. DETECTOR	7029, SOT-89, 3P, -, PLASTIC, -, 500
1203-001293	IC811	IC-POS1.FIXED REG.	033, TO-252, 3P, 6.5MIL, PLASTIC, 3
1203-001448	IC804	IC-SWITCH VOL. REG.	2596, TO-263, 5P, -, PLASTIC, 4.750
1203-001779	IC807	IC-POS1.FIXED REG.	7812, D2PAK, 3P, -, PLASTIC, 11.5/12.5V, -, -40TO+125CC, 1A, -, TP
1203-001816	IC803	IC-POS1.FIXED REG.	78M08, TO-252, 3P, -, PLASTIC, 7.7/8.3V, 1.0W, -40TO+85C, 0.5A, -, TP
1203-001830	IC805	IC-SWITCH VOL. REG.	2676, TO-263, 7P, -, PLASTIC, 3.234/3.336V, -, -40TO+125C, 3A, -, TP
1203-001890	IC802	IC-VOLTAGE REGULATOR	3961, SOT223-5, 5P, -, PLASTIC, 2.5V, -, -40to+125C, 800mA, -, TR
1203-001890	IC806	IC-VOLTAGE REGULATOR	3961, SOT223-5, 5P, -, PLASTIC, 2.5V, -, -40to+125C, 800mA, -, TR
1204-001675	IC919	IC-SOUND PROCESSOR	MSP3451G, QFP, 80P, -, PLASTIC, 9V, 1000mW, 0to+70C, TR, Multistandard Sound

1204-001911	IC200	IC-VIDEO PROCESS	DPTV-3D-6730,PQFP,208P,28X28MM,PLASTIC,4.6V,-,0TO+70C,TR,-
1204-001912	IC601	IC-DECODER	SDA5550M,P-MQFP,100P,-,PLASTIC,3.3V,1.5W,0TO+70C,TR,-
1204-001926	IC010	IC-VIDEO PROCESS	VPC3230D-C5,PQFP,80P,-,PLASTIC,6V,-,0 TO 65C,TP,VPC3230D-C5
1205-001740	IC901	IC-TRANSMITTER	DS90C385,TSSOP,56P,240MIL,PLASTIC,4V,1.63W,-10 TO +70C,ST,FPD LINK-85MHZ(LVDS)
2007-000070	R00B	R-CHIP	0ohm,5%,1/16W,DA,TP,1608
2007-000070	R00G	R-CHIP	0ohm,5%,1/16W,DA,TP,1608
2007-000070	R00R	R-CHIP	0ohm,5%,1/16W,DA,TP,1608
2007-000070	R0HS	R-CHIP	0ohm,5%,1/16W,DA,TP,1608
2007-000070	R0VS	R-CHIP	0ohm,5%,1/16W,DA,TP,1608
2007-000070	R215	R-CHIP	0ohm,5%,1/16W,DA,TP,1608
2007-000070	R216	R-CHIP	0ohm,5%,1/16W,DA,TP,1608
2007-000070	R217	R-CHIP	0ohm,5%,1/16W,DA,TP,1608
2007-000070	R218	R-CHIP	0ohm,5%,1/16W,DA,TP,1608
2007-000070	R222	R-CHIP	0ohm,5%,1/16W,DA,TP,1608
2007-000070	R303	R-CHIP	0ohm,5%,1/16W,DA,TP,1608
2007-000070	R328	R-CHIP	0ohm,5%,1/16W,DA,TP,1608
2007-000070	R351	R-CHIP	0ohm,5%,1/16W,DA,TP,1608
2007-000070	R534	R-CHIP	0ohm,5%,1/16W,DA,TP,1608
2007-000070	R537	R-CHIP	0ohm,5%,1/16W,DA,TP,1608
2007-000070	R652	R-CHIP	0ohm,5%,1/16W,DA,TP,1608
2007-000070	R902	R-CHIP	0ohm,5%,1/16W,DA,TP,1608
2007-000071	R002	R-CHIP	22ohm,5%,1/16W,DA,TP,1608
2007-000071	R003	R-CHIP	22ohm,5%,1/16W,DA,TP,1608
2007-000071	R004	R-CHIP	22ohm,5%,1/16W,DA,TP,1608
2007-000071	R102	R-CHIP	22ohm,5%,1/16W,DA,TP,1608
2007-000071	R105	R-CHIP	22ohm,5%,1/16W,DA,TP,1608
2007-000071	R108	R-CHIP	22ohm,5%,1/16W,DA,TP,1608
2007-000071	R304	R-CHIP	22ohm,5%,1/16W,DA,TP,1608
2007-000071	R354	R-CHIP	22ohm,5%,1/16W,DA,TP,1608
2007-000071	R355	R-CHIP	22ohm,5%,1/16W,DA,TP,1608
2007-000071	R367	R-CHIP	22ohm,5%,1/16W,DA,TP,1608
2007-000072	R238	R-CHIP	47ohm,5%,1/16W,DA,TP,1608
2007-000072	R329	R-CHIP	47ohm,5%,1/16W,DA,TP,1608
2007-000072	R521	R-CHIP	47ohm,5%,1/16W,DA,TP,1608
2007-000072	R522	R-CHIP	47ohm,5%,1/16W,DA,TP,1608
2007-000072	R526	R-CHIP	47ohm,5%,1/16W,DA,TP,1608
2007-000072	R528	R-CHIP	47ohm,5%,1/16W,DA,TP,1608
2007-000072	R532	R-CHIP	47ohm,5%,1/16W,DA,TP,1608
2007-000072	R533	R-CHIP	47ohm,5%,1/16W,DA,TP,1608
2007-000072	R903	R-CHIP	47ohm,5%,1/16W,DA,TP,1608
2007-000072	R904	R-CHIP	47ohm,5%,1/16W,DA,TP,1608
2007-000072	R905	R-CHIP	47ohm,5%,1/16W,DA,TP,1608
2007-000072	R907	R-CHIP	47ohm,5%,1/16W,DA,TP,1608
2007-000072	R908	R-CHIP	47ohm,5%,1/16W,DA,TP,1608
2007-000074	R001	R-CHIP	100ohm,5%,1/16W,DA,TP,1608
2007-000074	R005	R-CHIP	100ohm,5%,1/16W,DA,TP,1608
2007-000074	R025	R-CHIP	100ohm,5%,1/16W,DA,TP,1608
2007-000074	R026	R-CHIP	100ohm,5%,1/16W,DA,TP,1608
2007-000074	R111	R-CHIP	100ohm,5%,1/16W,DA,TP,1608
2007-000074	R112	R-CHIP	100ohm,5%,1/16W,DA,TP,1608
2007-000074	R113	R-CHIP	100ohm,5%,1/16W,DA,TP,1608
2007-000074	R117	R-CHIP	100ohm,5%,1/16W,DA,TP,1608
2007-000074	R118	R-CHIP	100ohm,5%,1/16W,DA,TP,1608
2007-000074	R119	R-CHIP	100ohm,5%,1/16W,DA,TP,1608
2007-000074	R120	R-CHIP	100ohm,5%,1/16W,DA,TP,1608
2007-000074	R207	R-CHIP	100ohm,5%,1/16W,DA,TP,1608
2007-000074	R209	R-CHIP	100ohm,5%,1/16W,DA,TP,1608
2007-000074	R211	R-CHIP	100ohm,5%,1/16W,DA,TP,1608
2007-000074	R212	R-CHIP	100ohm,5%,1/16W,DA,TP,1608







2007-000091	R512	R-CHIP	12Kohm, 5%, 1/16W, DA, TP, 1608
2007-000091	R513	R-CHIP	12Kohm, 5%, 1/16W, DA, TP, 1608
2007-000092	R406	R-CHIP	15Kohm, 5%, 1/16W, DA, TP, 1608
2007-000092	R407	R-CHIP	15Kohm, 5%, 1/16W, DA, TP, 1608
2007-000093	R505	R-CHIP	20Kohm, 5%, 1/16W, DA, TP, 1608
2007-000093	R506	R-CHIP	20Kohm, 5%, 1/16W, DA, TP, 1608
2007-000093	R514	R-CHIP	20Kohm, 5%, 1/16W, DA, TP, 1608
2007-000093	R515	R-CHIP	20Kohm, 5%, 1/16W, DA, TP, 1608
2007-000094	R103	R-CHIP	22Kohm, 5%, 1/16W, DA, TP, 1608
2007-000094	R106	R-CHIP	22Kohm, 5%, 1/16W, DA, TP, 1608
2007-000096	R605	R-CHIP	30Kohm, 5%, 1/16W, DA, TP, 1608
2007-000097	R199	R-CHIP	47Kohm, 5%, 1/16W, DA, TP, 1608
2007-000097	R603	R-CHIP	47Kohm, 5%, 1/16W, DA, TP, 1608
2007-000098	R602	R-CHIP	56Kohm, 5%, 1/16W, DA, TP, 1608
2007-000102	R864	R-CHIP	100Kohm, 5%, 1/16W, DA, TP, 1608
2007-000102	R865	R-CHIP	100Kohm, 5%, 1/16W, DA, TP, 1608
2007-000102	R874	R-CHIP	100Kohm, 5%, 1/16W, DA, TP, 1608
2007-000102	R875	R-CHIP	100Kohm, 5%, 1/16W, DA, TP, 1608
2007-000109	R305	R-CHIP	1Mohm, 5%, 1/16W, DA, TP, 1608
2007-000109	R309	R-CHIP	1Mohm, 5%, 1/16W, DA, TP, 1608
2007-000109	R317	R-CHIP	1Mohm, 5%, 1/16W, DA, TP, 1608
2007-000109	R503	R-CHIP	1Mohm, 5%, 1/16W, DA, TP, 1608
2007-000113	R121	R-CHIP	33ohm, 5%, 1/16W, DA, TP, 1608
2007-000113	R122	R-CHIP	33ohm, 5%, 1/16W, DA, TP, 1608
2007-000113	R123	R-CHIP	33ohm, 5%, 1/16W, DA, TP, 1608
2007-000113	R124	R-CHIP	33ohm, 5%, 1/16W, DA, TP, 1608
2007-000113	R125	R-CHIP	33ohm, 5%, 1/16W, DA, TP, 1608
2007-000113	R126	R-CHIP	33ohm, 5%, 1/16W, DA, TP, 1608
2007-000113	R201	R-CHIP	33ohm, 5%, 1/16W, DA, TP, 1608
2007-000113	R202	R-CHIP	33ohm, 5%, 1/16W, DA, TP, 1608
2007-000113	R203	R-CHIP	33ohm, 5%, 1/16W, DA, TP, 1608
2007-000113	R204	R-CHIP	33ohm, 5%, 1/16W, DA, TP, 1608
2007-000113	R205	R-CHIP	33ohm, 5%, 1/16W, DA, TP, 1608
2007-000113	R206	R-CHIP	33ohm, 5%, 1/16W, DA, TP, 1608
2007-000118	R231	R-CHIP	390ohm, 5%, 1/16W, DA, TP, 1608
2007-000120	R645	R-CHIP	680ohm, 5%, 1/16W, DA, TP, 1608
2007-000219	R890	R-CHIP	1.2Kohm, 1%, 1/16W, DA, TP, 1608
2007-000219	R894	R-CHIP	1.2Kohm, 1%, 1/16W, DA, TP, 1608
2007-000239	R244	R-CHIP	1.5Kohm, 1%, 1/16W, DA, TP, 1608
2007-000239	R612	R-CHIP	1.5Kohm, 1%, 1/16W, DA, TP, 1608
2007-000239	R613	R-CHIP	1.5Kohm, 1%, 1/16W, DA, TP, 1608
2007-000309	R027	R-CHIP	10ohm, 5%, 1/16W, DA, TP, 1608
2007-000309	R062	R-CHIP	10ohm, 5%, 1/16W, DA, TP, 1608
2007-000309	R063	R-CHIP	10ohm, 5%, 1/16W, DA, TP, 1608
2007-000309	R214	R-CHIP	10ohm, 5%, 1/16W, DA, TP, 1608
2007-000309	R219	R-CHIP	10ohm, 5%, 1/16W, DA, TP, 1608
2007-000309	R224	R-CHIP	10ohm, 5%, 1/16W, DA, TP, 1608
2007-000309	R438	R-CHIP	10ohm, 5%, 1/16W, DA, TP, 1608
2007-000309	R441	R-CHIP	10ohm, 5%, 1/16W, DA, TP, 1608
2007-000309	R501	R-CHIP	10ohm, 5%, 1/16W, DA, TP, 1608
2007-000309	R502	R-CHIP	10ohm, 5%, 1/16W, DA, TP, 1608
2007-000309	R635	R-CHIP	10ohm, 5%, 1/16W, DA, TP, 1608
2007-000309	R692	R-CHIP	10ohm, 5%, 1/16W, DA, TP, 1608
2007-000309	R693	R-CHIP	10ohm, 5%, 1/16W, DA, TP, 1608
2007-000309	RJ01	R-CHIP	10ohm, 5%, 1/16W, DA, TP, 1608
2007-000309	RJ02	R-CHIP	10ohm, 5%, 1/16W, DA, TP, 1608
2007-000309	RJ03	R-CHIP	10ohm, 5%, 1/16W, DA, TP, 1608
2007-000309	RJ04	R-CHIP	10ohm, 5%, 1/16W, DA, TP, 1608
2007-000309	RJ05	R-CHIP	10ohm, 5%, 1/16W, DA, TP, 1608



2007-000309	RJ06	R-CHIP	10ohm, 5%, 1/16W, DA, TP, 1608
2007-000309	RJ07	R-CHIP	10ohm, 5%, 1/16W, DA, TP, 1608
2007-000309	RJ08	R-CHIP	10ohm, 5%, 1/16W, DA, TP, 1608
2007-000309	RJ09	R-CHIP	10ohm, 5%, 1/16W, DA, TP, 1608
2007-000309	RJ10	R-CHIP	10ohm, 5%, 1/16W, DA, TP, 1608
2007-000309	RJ11	R-CHIP	10ohm, 5%, 1/16W, DA, TP, 1608
2007-000309	RJ12	R-CHIP	10ohm, 5%, 1/16W, DA, TP, 1608
2007-000309	RJ13	R-CHIP	10ohm, 5%, 1/16W, DA, TP, 1608
2007-000309	RJ14	R-CHIP	10ohm, 5%, 1/16W, DA, TP, 1608
2007-000309	RJ15	R-CHIP	10ohm, 5%, 1/16W, DA, TP, 1608
2007-000309	RJ16	R-CHIP	10ohm, 5%, 1/16W, DA, TP, 1608
2007-000309	RJ17	R-CHIP	10ohm, 5%, 1/16W, DA, TP, 1608
2007-000309	RJ18	R-CHIP	10ohm, 5%, 1/16W, DA, TP, 1608
2007-000309	RJ19	R-CHIP	10ohm, 5%, 1/16W, DA, TP, 1608
2007-000458	R591	R-CHIP	18Kohm, 5%, 1/16W, DA, TP, 1608
2007-000512	R109	R-CHIP	2.4Kohm, 5%, 1/16W, DA, TP, 1608
2007-000616	R318	R-CHIP	24Kohm, 5%, 1/16W, DA, TP, 1608
2007-000669	R895	R-CHIP	2Kohm, 1%, 1/16W, DA, TP, 1608
2007-000701	R891	R-CHIP	3.6Kohm, 1%, 1/16W, DA, TP, 1608
2007-000726	R808	R-CHIP	300ohm, 1%, 1/16W, DA, TP, 1608
2007-000821	R807	R-CHIP	390ohm, 1%, 1/16W, DA, TP, 1608
2007-000882	R518	R-CHIP	4.7ohm, 5%, 1/16W, DA, TP, 1608
2007-000882	R519	R-CHIP	4.7ohm, 5%, 1/16W, DA, TP, 1608
2007-001010	R312	R-CHIP	51Kohm, 5%, 1/16W, DA, TP, 1608
2007-001044	R551	R-CHIP	56ohm, 5%, 1/16W, DA, TP, 1608
2007-001044	R552	R-CHIP	56ohm, 5%, 1/16W, DA, TP, 1608
2007-001164	R314	R-CHIP	75ohm, 1%, 1/16W, DA, TP, 1608
2007-001164	R315	R-CHIP	75ohm, 1%, 1/16W, DA, TP, 1608
2007-001164	R316	R-CHIP	75ohm, 1%, 1/16W, DA, TP, 1608
2007-001164	R321	R-CHIP	75ohm, 1%, 1/16W, DA, TP, 1608
2007-001164	R325	R-CHIP	75ohm, 1%, 1/16W, DA, TP, 1608
2007-001164	R326	R-CHIP	75ohm, 1%, 1/16W, DA, TP, 1608
2007-001164	R411	R-CHIP	75ohm, 1%, 1/16W, DA, TP, 1608
2007-001164	R412	R-CHIP	75ohm, 1%, 1/16W, DA, TP, 1608
2007-001164	R413	R-CHIP	75ohm, 1%, 1/16W, DA, TP, 1608
2007-001164	R870	R-CHIP	75ohm, 1%, 1/16W, DA, TP, 1608
2007-001164	R871	R-CHIP	75ohm, 1%, 1/16W, DA, TP, 1608
2007-001164	R872	R-CHIP	75ohm, 1%, 1/16W, DA, TP, 1608
2007-001167	R007	R-CHIP	75ohm, 5%, 1/16W, DA, TP, 1608
2007-001167	R008	R-CHIP	75ohm, 5%, 1/16W, DA, TP, 1608
2007-001167	R009	R-CHIP	75ohm, 5%, 1/16W, DA, TP, 1608
2007-001167	R014	R-CHIP	75ohm, 5%, 1/16W, DA, TP, 1608
2007-001167	R019	R-CHIP	75ohm, 5%, 1/16W, DA, TP, 1608
2007-001167	R022	R-CHIP	75ohm, 5%, 1/16W, DA, TP, 1608
2007-001167	R023	R-CHIP	75ohm, 5%, 1/16W, DA, TP, 1608
2007-001167	R024	R-CHIP	75ohm, 5%, 1/16W, DA, TP, 1608
2007-001167	R035	R-CHIP	75ohm, 5%, 1/16W, DA, TP, 1608
2007-001167	R041	R-CHIP	75ohm, 5%, 1/16W, DA, TP, 1608
2007-001167	R049	R-CHIP	75ohm, 5%, 1/16W, DA, TP, 1608
2007-001167	R067	R-CHIP	75ohm, 5%, 1/16W, DA, TP, 1608
2007-001167	R236	R-CHIP	75ohm, 5%, 1/16W, DA, TP, 1608
2007-001167	R619	R-CHIP	75ohm, 5%, 1/16W, DA, TP, 1608
2007-001175	R511	R-CHIP	8.2Kohm, 1%, 1/16W, DA, TP, 1608
2007-008433	R892	R-CHIP	0.330HM, 1%, 1W, DA, TP, 6432
2007-008433	R893	R-CHIP	0.330HM, 1%, 1W, DA, TP, 6432
2011-000002	IC002	R-NETWORK	22ohm, 5%, 63mW, L, CHIP, 8P, TP
2011-000002	IC003	R-NETWORK	22ohm, 5%, 63mW, L, CHIP, 8P, TP
2011-000002	IC004	R-NETWORK	22ohm, 5%, 63mW, L, CHIP, 8P, TP
2011-000002	IC005	R-NETWORK	22ohm, 5%, 63mW, L, CHIP, 8P, TP

2011-000002	IC006	R-NETWORK	22ohm,5%,63mW,L,CHIP,8P,TP
2011-000002	IC007	R-NETWORK	22ohm,5%,63mW,L,CHIP,8P,TP
2011-000002	IC008	R-NETWORK	22ohm,5%,63mW,L,CHIP,8P,TP
2011-000002	IC009	R-NETWORK	22ohm,5%,63mW,L,CHIP,8P,TP
2011-000002	RA301	R-NETWORK	22ohm,5%,63mW,L,CHIP,8P,TP
2011-000002	RA302	R-NETWORK	22ohm,5%,63mW,L,CHIP,8P,TP
2011-000002	RA303	R-NETWORK	22ohm,5%,63mW,L,CHIP,8P,TP
2011-000002	RA304	R-NETWORK	22ohm,5%,63mW,L,CHIP,8P,TP
2011-000002	RA305	R-NETWORK	22ohm,5%,63mW,L,CHIP,8P,TP
2011-000002	RA306	R-NETWORK	22ohm,5%,63mW,L,CHIP,8P,TP
2011-000002	RA311	R-NETWORK	22ohm,5%,63mW,L,CHIP,8P,TP
2011-000002	RA312	R-NETWORK	22ohm,5%,63mW,L,CHIP,8P,TP
2011-000002	RA313	R-NETWORK	22ohm,5%,63mW,L,CHIP,8P,TP
2011-000002	RA351	R-NETWORK	22ohm,5%,63mW,L,CHIP,8P,TP
2011-000002	RA352	R-NETWORK	22ohm,5%,63mW,L,CHIP,8P,TP
2011-000002	RA353	R-NETWORK	22ohm,5%,63mW,L,CHIP,8P,TP
2011-000002	RA354	R-NETWORK	22ohm,5%,63mW,L,CHIP,8P,TP
2011-000002	RA355	R-NETWORK	22ohm,5%,63mW,L,CHIP,8P,TP
2011-000002	RA356	R-NETWORK	22ohm,5%,63mW,L,CHIP,8P,TP
2011-000515	IC641	R-NETWORK	4.7Kohm,5%,1/16W,L,CHIP,8P,TP
2011-000515	IC642	R-NETWORK	4.7Kohm,5%,1/16W,L,CHIP,8P,TP
2011-000651	IC621	R-NETWORK	10ohm,5%,63mW,L,CHIP,8P,TP
2011-000651	IC622	R-NETWORK	10ohm,5%,63mW,L,CHIP,8P,TP
2011-000651	IC623	R-NETWORK	10ohm,5%,63mW,L,CHIP,8P,TP
2011-000651	IC624	R-NETWORK	10ohm,5%,63mW,L,CHIP,8P,TP
2011-000651	IC625	R-NETWORK	10ohm,5%,63mW,L,CHIP,8P,TP
2011-000651	IC626	R-NETWORK	10ohm,5%,63mW,L,CHIP,8P,TP
2011-000651	IC627	R-NETWORK	10ohm,5%,63mW,L,CHIP,8P,TP
2011-000651	IC628	R-NETWORK	10ohm,5%,63mW,L,CHIP,8P,TP
2011-000651	IC629	R-NETWORK	10ohm,5%,63mW,L,CHIP,8P,TP
2203-000140	C004	C-CERAMIC,CHIP	1.5nF,10%,50V,X7R,TP,1608,-
2203-000140	C008	C-CERAMIC,CHIP	1.5nF,10%,50V,X7R,TP,1608,-
2203-000140	C016	C-CERAMIC,CHIP	1.5nF,10%,50V,X7R,TP,1608,-
2203-000140	C019	C-CERAMIC,CHIP	1.5nF,10%,50V,X7R,TP,1608,-
2203-000140	C038	C-CERAMIC,CHIP	1.5nF,10%,50V,X7R,TP,1608,-
2203-000140	C538	C-CERAMIC,CHIP	1.5nF,10%,50V,X7R,TP,1608,-
2203-000140	C574	C-CERAMIC,CHIP	1.5nF,10%,50V,X7R,TP,1608,-
2203-000189	C112	C-CERAMIC,CHIP	100nF,+80-20%,25V,Y5V,TP,1608,
2203-000189	C304	C-CERAMIC,CHIP	100nF,+80-20%,25V,Y5V,TP,1608,
2203-000189	C338	C-CERAMIC,CHIP	100nF,+80-20%,25V,Y5V,TP,1608,
2203-000189	C504	C-CERAMIC,CHIP	100nF,+80-20%,25V,Y5V,TP,1608,
2203-000189	C505	C-CERAMIC,CHIP	100nF,+80-20%,25V,Y5V,TP,1608,
2203-000189	C506	C-CERAMIC,CHIP	100nF,+80-20%,25V,Y5V,TP,1608,
2203-000189	C524	C-CERAMIC,CHIP	100nF,+80-20%,25V,Y5V,TP,1608,
2203-000189	C525	C-CERAMIC,CHIP	100nF,+80-20%,25V,Y5V,TP,1608,
2203-000189	C526	C-CERAMIC,CHIP	100nF,+80-20%,25V,Y5V,TP,1608,
2203-000189	C541	C-CERAMIC,CHIP	100nF,+80-20%,25V,Y5V,TP,1608,
2203-000189	C542	C-CERAMIC,CHIP	100nF,+80-20%,25V,Y5V,TP,1608,
2203-000189	C559	C-CERAMIC,CHIP	100nF,+80-20%,25V,Y5V,TP,1608,
2203-000189	C565	C-CERAMIC,CHIP	100nF,+80-20%,25V,Y5V,TP,1608,
2203-000189	C570	C-CERAMIC,CHIP	100nF,+80-20%,25V,Y5V,TP,1608,
2203-000189	C589	C-CERAMIC,CHIP	100nF,+80-20%,25V,Y5V,TP,1608,
2203-000189	C620	C-CERAMIC,CHIP	100nF,+80-20%,25V,Y5V,TP,1608,
2203-000189	C624	C-CERAMIC,CHIP	100nF,+80-20%,25V,Y5V,TP,1608,
2203-000189	C821	C-CERAMIC,CHIP	100nF,+80-20%,25V,Y5V,TP,1608,
2203-000189	C842	C-CERAMIC,CHIP	100nF,+80-20%,25V,Y5V,TP,1608,
2203-000189	C844	C-CERAMIC,CHIP	100nF,+80-20%,25V,Y5V,TP,1608,
2203-000189	C846	C-CERAMIC,CHIP	100nF,+80-20%,25V,Y5V,TP,1608,
2203-000189	C852	C-CERAMIC,CHIP	100nF,+80-20%,25V,Y5V,TP,1608,





2203-000815	C295	C-CERAMIC,CHIP	0.033nF,5%,50V,NPO,TP,1608
2203-000815	C296	C-CERAMIC,CHIP	0.033nF,5%,50V,NPO,TP,1608
2203-000815	C297	C-CERAMIC,CHIP	0.033nF,5%,50V,NPO,TP,1608
2203-000815	C298	C-CERAMIC,CHIP	0.033nF,5%,50V,NPO,TP,1608
2203-000815	C299	C-CERAMIC,CHIP	0.033nF,5%,50V,NPO,TP,1608
2203-000815	C308	C-CERAMIC,CHIP	0.033nF,5%,50V,NPO,TP,1608
2203-000815	C309	C-CERAMIC,CHIP	0.033nF,5%,50V,NPO,TP,1608
2203-000815	C366	C-CERAMIC,CHIP	0.033nF,5%,50V,NPO,TP,1608
2203-000815	C368	C-CERAMIC,CHIP	0.033nF,5%,50V,NPO,TP,1608
2203-000815	C371	C-CERAMIC,CHIP	0.033nF,5%,50V,NPO,TP,1608
2203-000815	C373	C-CERAMIC,CHIP	0.033nF,5%,50V,NPO,TP,1608
2203-000815	C375	C-CERAMIC,CHIP	0.033nF,5%,50V,NPO,TP,1608
2203-000815	C376	C-CERAMIC,CHIP	0.033nF,5%,50V,NPO,TP,1608
2203-000815	C3A1	C-CERAMIC,CHIP	0.033nF,5%,50V,NPO,TP,1608
2203-000815	C3A2	C-CERAMIC,CHIP	0.033nF,5%,50V,NPO,TP,1608
2203-000815	C3A3	C-CERAMIC,CHIP	0.033nF,5%,50V,NPO,TP,1608
2203-000815	C3A4	C-CERAMIC,CHIP	0.033nF,5%,50V,NPO,TP,1608
2203-000815	C3A5	C-CERAMIC,CHIP	0.033nF,5%,50V,NPO,TP,1608
2203-000815	C3A6	C-CERAMIC,CHIP	0.033nF,5%,50V,NPO,TP,1608
2203-000815	C3A7	C-CERAMIC,CHIP	0.033nF,5%,50V,NPO,TP,1608
2203-000815	C3A8	C-CERAMIC,CHIP	0.033nF,5%,50V,NPO,TP,1608
2203-000815	C3A9	C-CERAMIC,CHIP	0.033nF,5%,50V,NPO,TP,1608
2203-000815	C3AA	C-CERAMIC,CHIP	0.033nF,5%,50V,NPO,TP,1608
2203-000815	C3AB	C-CERAMIC,CHIP	0.033nF,5%,50V,NPO,TP,1608
2203-000815	C3AC	C-CERAMIC,CHIP	0.033nF,5%,50V,NPO,TP,1608
2203-000815	C3AD	C-CERAMIC,CHIP	0.033nF,5%,50V,NPO,TP,1608
2203-000839	C313	C-CERAMIC,CHIP	0.39nF,5%,50V,NPO,TP,2012
2203-000903	C011	C-CERAMIC,CHIP	0.0047nF,0.25pF,50V,NPO,TP,1608
2203-000903	C012	C-CERAMIC,CHIP	0.0047nF,0.25pF,50V,NPO,TP,1608
2203-000972	C005	C-CERAMIC,CHIP	47nF,10%,16V,X7R,TP,1608
2203-000972	C007	C-CERAMIC,CHIP	47nF,10%,16V,X7R,TP,1608
2203-000972	C013	C-CERAMIC,CHIP	47nF,10%,16V,X7R,TP,1608
2203-000972	C021	C-CERAMIC,CHIP	47nF,10%,16V,X7R,TP,1608
2203-000972	C379	C-CERAMIC,CHIP	47nF,10%,16V,X7R,TP,1608
2203-000972	C576	C-CERAMIC,CHIP	47nF,10%,16V,X7R,TP,1608
2203-000998	C040	C-CERAMIC,CHIP	0.047nF,5%,50V,NPO,TP,1608
2203-000998	C052	C-CERAMIC,CHIP	0.047nF,5%,50V,NPO,TP,1608
2203-000998	C086	C-CERAMIC,CHIP	0.047nF,5%,50V,NPO,TP,1608
2203-000998	C087	C-CERAMIC,CHIP	0.047nF,5%,50V,NPO,TP,1608
2203-000998	C089	C-CERAMIC,CHIP	0.047nF,5%,50V,NPO,TP,1608
2203-001071	C567	C-CERAMIC,CHIP	0.056nF,5%,50V,NPO,TP,1608
2203-001071	C568	C-CERAMIC,CHIP	0.056nF,5%,50V,NPO,TP,1608
2203-001071	C571	C-CERAMIC,CHIP	0.056nF,5%,50V,NPO,TP,1608
2203-001126	C892	C-CERAMIC,CHIP	0.68nF,10%,50V,X7R,TP,1608
2203-001140	C002	C-CERAMIC,CHIP	68nF,10%,16V,X7R,TP,1608,-
2203-001140	C003	C-CERAMIC,CHIP	68nF,10%,16V,X7R,TP,1608,-
2203-001140	C006	C-CERAMIC,CHIP	68nF,10%,16V,X7R,TP,1608,-
2203-001402	C015	C-CERAMIC,CHIP	220nF,+80-20%,16V,Y5V,TP,1608
2203-001402	C020	C-CERAMIC,CHIP	220nF,+80-20%,16V,Y5V,TP,1608
2203-001402	C031	C-CERAMIC,CHIP	220nF,+80-20%,16V,Y5V,TP,1608
2203-001402	C032	C-CERAMIC,CHIP	220nF,+80-20%,16V,Y5V,TP,1608
2203-001402	C033	C-CERAMIC,CHIP	220nF,+80-20%,16V,Y5V,TP,1608
2203-001402	C034	C-CERAMIC,CHIP	220nF,+80-20%,16V,Y5V,TP,1608
2203-001402	C035	C-CERAMIC,CHIP	220nF,+80-20%,16V,Y5V,TP,1608
2203-001402	C036	C-CERAMIC,CHIP	220nF,+80-20%,16V,Y5V,TP,1608
2203-001402	C039	C-CERAMIC,CHIP	220nF,+80-20%,16V,Y5V,TP,1608
2203-001402	C047	C-CERAMIC,CHIP	220nF,+80-20%,16V,Y5V,TP,1608
2203-001402	C049	C-CERAMIC,CHIP	220nF,+80-20%,16V,Y5V,TP,1608
2203-001402	C848	C-CERAMIC,CHIP	220nF,+80-20%,16V,Y5V,TP,1608





2203-005065	C529	C-CERAMIC,CHIP	1000nF,+80-20%,10V,Y5V,TP,1608
2203-005065	C532	C-CERAMIC,CHIP	1000nF,+80-20%,10V,Y5V,TP,1608
2203-006017	C221	C-CERAMIC,CHIP	0.56NF,5%,50V,COG,TP,1608
2203-006017	C224	C-CERAMIC,CHIP	0.56NF,5%,50V,COG,TP,1608
2203-006036	C018	C-CERAMIC,CHIP	680NF,+80-20%,16V,Y5V,TP,1608
2203-006036	C067	C-CERAMIC,CHIP	680NF,+80-20%,16V,Y5V,TP,1608
2203-006036	C068	C-CERAMIC,CHIP	680NF,+80-20%,16V,Y5V,TP,1608
2402-000108	C552	C-AL,SMD	10uF,20%,16V,WT,TP,4.3x4.3x5.4
2402-000108	C561	C-AL,SMD	10uF,20%,16V,WT,TP,4.3x4.3x5.4
2402-000135	C092	C-AL,SMD	22uF,20%,16V,GP,TP,5.3x5.3x5.4
2402-000135	C093	C-AL,SMD	22uF,20%,16V,GP,TP,5.3x5.3x5.4
2402-000135	C218	C-AL,SMD	22uF,20%,16V,GP,TP,5.3x5.3x5.4
2402-000135	C223	C-AL,SMD	22uF,20%,16V,GP,TP,5.3x5.3x5.4
2402-000135	C231	C-AL,SMD	22uF,20%,16V,GP,TP,5.3x5.3x5.4
2402-000135	C236	C-AL,SMD	22uF,20%,16V,GP,TP,5.3x5.3x5.4
2402-000135	C250	C-AL,SMD	22uF,20%,16V,GP,TP,5.3x5.3x5.4
2402-000135	C251	C-AL,SMD	22uF,20%,16V,GP,TP,5.3x5.3x5.4
2402-000135	C252	C-AL,SMD	22uF,20%,16V,GP,TP,5.3x5.3x5.4
2402-000135	C254	C-AL,SMD	22uF,20%,16V,GP,TP,5.3x5.3x5.4
2402-000135	C258	C-AL,SMD	22uF,20%,16V,GP,TP,5.3x5.3x5.4
2402-000135	C269	C-AL,SMD	22uF,20%,16V,GP,TP,5.3x5.3x5.4
2402-000135	C284	C-AL,SMD	22uF,20%,16V,GP,TP,5.3x5.3x5.4
2402-000135	C320	C-AL,SMD	22uF,20%,16V,GP,TP,5.3x5.3x5.4
2402-000135	C339	C-AL,SMD	22uF,20%,16V,GP,TP,5.3x5.3x5.4
2402-000135	C382	C-AL,SMD	22uF,20%,16V,GP,TP,5.3x5.3x5.4
2402-000135	C591	C-AL,SMD	22uF,20%,16V,GP,TP,5.3x5.3x5.4
2402-000135	C592	C-AL,SMD	22uF,20%,16V,GP,TP,5.3x5.3x5.4
2402-000135	C593	C-AL,SMD	22uF,20%,16V,GP,TP,5.3x5.3x5.4
2402-000135	C594	C-AL,SMD	22uF,20%,16V,GP,TP,5.3x5.3x5.4
2402-000168	C247	C-AL,SMD	100uF,20%,16V,GP,TP,8.3x8.3x6.3mm
2402-000170	C519	C-AL,SMD	1uF,20%,50V,GP,TP,4.3x4.3x5.4
2402-000170	C521	C-AL,SMD	1uF,20%,50V,GP,TP,4.3x4.3x5.4
2402-000170	C531	C-AL,SMD	1uF,20%,50V,GP,TP,4.3x4.3x5.4
2402-000170	C533	C-AL,SMD	1uF,20%,50V,GP,TP,4.3x4.3x5.4
2402-000170	C828	C-AL,SMD	1uF,20%,50V,GP,TP,4.3x4.3x5.4
2402-000170	C870	C-AL,SMD	1uF,20%,50V,GP,TP,4.3x4.3x5.4
2402-000170	C899	C-AL,SMD	1uF,20%,50V,GP,TP,4.3x4.3x5.4
2402-000173	C343	C-AL,SMD	4.7uF,20%,35V,GP,TP,4.3x4.3x5.4
2402-000173	C351	C-AL,SMD	4.7uF,20%,35V,GP,TP,4.3x4.3x5.4
2402-000173	C358	C-AL,SMD	4.7uF,20%,35V,GP,TP,4.3x4.3x5.4
2402-000173	C553	C-AL,SMD	4.7uF,20%,35V,GP,TP,4.3x4.3x5.4
2402-000173	C554	C-AL,SMD	4.7uF,20%,35V,GP,TP,4.3x4.3x5.4
2402-000173	C555	C-AL,SMD	4.7uF,20%,35V,GP,TP,4.3x4.3x5.4
2402-000173	C556	C-AL,SMD	4.7uF,20%,35V,GP,TP,4.3x4.3x5.4
2402-000173	C557	C-AL,SMD	4.7uF,20%,35V,GP,TP,4.3x4.3x5.4
2402-000173	C558	C-AL,SMD	4.7uF,20%,35V,GP,TP,4.3x4.3x5.4
2402-000173	C562	C-AL,SMD	4.7uF,20%,35V,GP,TP,4.3x4.3x5.4
2402-000173	C563	C-AL,SMD	4.7uF,20%,35V,GP,TP,4.3x4.3x5.4
2402-000173	C564	C-AL,SMD	4.7uF,20%,35V,GP,TP,4.3x4.3x5.4
2402-000176	C009	C-AL,SMD	10uF,20%,16V,GP,TP,4.3x4.3x5.4
2402-000176	C014	C-AL,SMD	10uF,20%,16V,GP,TP,4.3x4.3x5.4
2402-000176	C022	C-AL,SMD	10uF,20%,16V,GP,TP,4.3x4.3x5.4
2402-000176	C042	C-AL,SMD	10uF,20%,16V,GP,TP,4.3x4.3x5.4
2402-000176	C043	C-AL,SMD	10uF,20%,16V,GP,TP,4.3x4.3x5.4
2402-000176	C044	C-AL,SMD	10uF,20%,16V,GP,TP,4.3x4.3x5.4
2402-000176	C045	C-AL,SMD	10uF,20%,16V,GP,TP,4.3x4.3x5.4
2402-000176	C046	C-AL,SMD	10uF,20%,16V,GP,TP,4.3x4.3x5.4
2402-000176	C048	C-AL,SMD	10uF,20%,16V,GP,TP,4.3x4.3x5.4
2402-000176	C113	C-AL,SMD	10uF,20%,16V,GP,TP,4.3x4.3x5.4



2402-000176	C115	C-AL, SMD	10uF, 20%, 16V, GP, TP, 4. 3x4. 3x5. 4
2402-000176	C117	C-AL, SMD	10uF, 20%, 16V, GP, TP, 4. 3x4. 3x5. 4
2402-000176	C119	C-AL, SMD	10uF, 20%, 16V, GP, TP, 4. 3x4. 3x5. 4
2402-000176	C121	C-AL, SMD	10uF, 20%, 16V, GP, TP, 4. 3x4. 3x5. 4
2402-000176	C123	C-AL, SMD	10uF, 20%, 16V, GP, TP, 4. 3x4. 3x5. 4
2402-000176	C125	C-AL, SMD	10uF, 20%, 16V, GP, TP, 4. 3x4. 3x5. 4
2402-000176	C241	C-AL, SMD	10uF, 20%, 16V, GP, TP, 4. 3x4. 3x5. 4
2402-000176	C406	C-AL, SMD	10uF, 20%, 16V, GP, TP, 4. 3x4. 3x5. 4
2402-000176	C545	C-AL, SMD	10uF, 20%, 16V, GP, TP, 4. 3x4. 3x5. 4
2402-000176	C546	C-AL, SMD	10uF, 20%, 16V, GP, TP, 4. 3x4. 3x5. 4
2402-000176	C566	C-AL, SMD	10uF, 20%, 16V, GP, TP, 4. 3x4. 3x5. 4
2402-000176	C628	C-AL, SMD	10uF, 20%, 16V, GP, TP, 4. 3x4. 3x5. 4
2402-000176	C893	C-AL, SMD	10uF, 20%, 16V, GP, TP, 4. 3x4. 3x5. 4
2402-000179	C001	C-AL, SMD	47uF, 20%, 16V, GP, TP, 6. 6x6. 6x5. 4
2402-000179	C066	C-AL, SMD	47uF, 20%, 16V, GP, TP, 6. 6x6. 6x5. 4
2402-000179	C200	C-AL, SMD	47uF, 20%, 16V, GP, TP, 6. 6x6. 6x5. 4
2402-000179	C289	C-AL, SMD	47uF, 20%, 16V, GP, TP, 6. 6x6. 6x5. 4
2402-000179	C311	C-AL, SMD	47uF, 20%, 16V, GP, TP, 6. 6x6. 6x5. 4
2402-000179	C577	C-AL, SMD	47uF, 20%, 16V, GP, TP, 6. 6x6. 6x5. 4
2402-000179	C603	C-AL, SMD	47uF, 20%, 16V, GP, TP, 6. 6x6. 6x5. 4
2402-000179	C611	C-AL, SMD	47uF, 20%, 16V, GP, TP, 6. 6x6. 6x5. 4
2402-001019	C616	C-AL, SMD	2. 2uF, 20%, 35V, GP, TP, 3. 3x3. 3x5. .
2402-001042	C041	C-AL, SMD	100uF, 20%, 16V, GP, TP, 6. 6x6. 6x5. 4mm
2402-001042	C281	C-AL, SMD	100uF, 20%, 16V, GP, TP, 6. 6x6. 6x5. 4mm
2402-001042	C336	C-AL, SMD	100uF, 20%, 16V, GP, TP, 6. 6x6. 6x5. 4mm
2402-001042	C392	C-AL, SMD	100uF, 20%, 16V, GP, TP, 6. 6x6. 6x5. 4mm
2402-001042	C520	C-AL, SMD	100uF, 20%, 16V, GP, TP, 6. 6x6. 6x5. 4mm
2402-001042	C522	C-AL, SMD	100uF, 20%, 16V, GP, TP, 6. 6x6. 6x5. 4mm
2402-001042	C523	C-AL, SMD	100uF, 20%, 16V, GP, TP, 6. 6x6. 6x5. 4mm
2402-001042	C528	C-AL, SMD	100uF, 20%, 16V, GP, TP, 6. 6x6. 6x5. 4mm
2402-001042	C534	C-AL, SMD	100uF, 20%, 16V, GP, TP, 6. 6x6. 6x5. 4mm
2402-001042	C535	C-AL, SMD	100uF, 20%, 16V, GP, TP, 6. 6x6. 6x5. 4mm
2402-001042	C575	C-AL, SMD	100uF, 20%, 16V, GP, TP, 6. 6x6. 6x5. 4mm
2402-001042	C580	C-AL, SMD	100uF, 20%, 16V, GP, TP, 6. 6x6. 6x5. 4mm
2402-001042	C597	C-AL, SMD	100uF, 20%, 16V, GP, TP, 6. 6x6. 6x5. 4mm
2402-001042	C598	C-AL, SMD	100uF, 20%, 16V, GP, TP, 6. 6x6. 6x5. 4mm
2402-001042	C604	C-AL, SMD	100uF, 20%, 16V, GP, TP, 6. 6x6. 6x5. 4mm
2402-001042	C621	C-AL, SMD	100uF, 20%, 16V, GP, TP, 6. 6x6. 6x5. 4mm
2402-001042	C809	C-AL, SMD	100uF, 20%, 16V, GP, TP, 6. 6x6. 6x5. 4mm
2402-001042	C812	C-AL, SMD	100uF, 20%, 16V, GP, TP, 6. 6x6. 6x5. 4mm
2402-001042	C822	C-AL, SMD	100uF, 20%, 16V, GP, TP, 6. 6x6. 6x5. 4mm
2402-001042	C841	C-AL, SMD	100uF, 20%, 16V, GP, TP, 6. 6x6. 6x5. 4mm
2402-001042	C843	C-AL, SMD	100uF, 20%, 16V, GP, TP, 6. 6x6. 6x5. 4mm
2402-001042	C861	C-AL, SMD	100uF, 20%, 16V, GP, TP, 6. 6x6. 6x5. 4mm
2402-001042	C889	C-AL, SMD	100uF, 20%, 16V, GP, TP, 6. 6x6. 6x5. 4mm
2402-001042	C903	C-AL, SMD	100uF, 20%, 16V, GP, TP, 6. 6x6. 6x5. 4mm
2402-001042	C904	C-AL, SMD	100uF, 20%, 16V, GP, TP, 6. 6x6. 6x5. 4mm
2402-001042	C906	C-AL, SMD	100uF, 20%, 16V, GP, TP, 6. 6x6. 6x5. 4mm
2402-001042	C907	C-AL, SMD	100uF, 20%, 16V, GP, TP, 6. 6x6. 6x5. 4mm
2402-001042	C911	C-AL, SMD	100uF, 20%, 16V, GP, TP, 6. 6x6. 6x5. 4mm
2402-001086	C872	C-AL, SMD	100UF, 20%, 16V, WT, TP, 6. 6X6. 6X5. 3
2402-001155	C288	C-AL, SMD	47UF, 20%, 16V, WT, TP, 6. 3X5. 2MM
2402-001155	C329	C-AL, SMD	47UF, 20%, 16V, WT, TP, 6. 3X5. 2MM
2409-001029	C810	C-ORGANIC	120uF, 20%, 6. 3V, WT, TP, 10. 3x10. 3x10. 3mm, 9
2409-001029	C813	C-ORGANIC	120uF, 20%, 6. 3V, WT, TP, 10. 3x10. 3x10. 3mm, 9
2409-001029	C826	C-ORGANIC	120uF, 20%, 6. 3V, WT, TP, 10. 3x10. 3x10. 3mm, 9
2409-001029	C827	C-ORGANIC	120uF, 20%, 6. 3V, WT, TP, 10. 3x10. 3x10. 3mm, 9
2409-001029	C865	C-ORGANIC	120uF, 20%, 6. 3V, WT, TP, 10. 3x10. 3x10. 3mm, 9
2409-001029	C867	C-ORGANIC	120uF, 20%, 6. 3V, WT, TP, 10. 3x10. 3x10. 3mm, 9

2409-001029	C869	C-ORGANIC	120uF, 20%, 6.3V, WT, TP, 10.3x10.3x10.3mm, 9	
2409-001029	C890	C-ORGANIC	120uF, 20%, 6.3V, WT, TP, 10.3x10.3x10.3mm, 9	
2503-001018	IC111	C-NETWORK	15PFX4, 10%, 50V, -	
2503-001018	IC112	C-NETWORK	15PFX4, 10%, 50V, -	
2503-001018	IC113	C-NETWORK	15PFX4, 10%, 50V, -	
2503-001018	IC114	C-NETWORK	15PFX4, 10%, 50V, -	
2503-001018	IC115	C-NETWORK	15PFX4, 10%, 50V, -	
2503-001018	IC116	C-NETWORK	15PFX4, 10%, 50V, -	
2703-000398	L008	INDUCTOR -SMD	10uH, 10%, 3.2x2.5x2.2mm	
2703-000398	L401	INDUCTOR -SMD	10uH, 10%, 3.2x2.5x2.2mm	
2703-000398	L410	INDUCTOR -SMD	10uH, 10%, 3.2x2.5x2.2mm	
2703-000412	L611	INDUCTOR -SMD	8.2uH, 5%, 3.2x2.5x2.2mm	
2703-001334	L411	INDUCTOR -SMD	1.5uH, 10%, 2x1.25x0.85mm	
2703-001334	L412	INDUCTOR -SMD	1.5uH, 10%, 2x1.25x0.85mm	
2703-001778	L004	INDUCTOR -SMD	3.3UH, 20%, 3.2X2.5X2.2MM	
2703-001778	L005	INDUCTOR -SMD	3.3UH, 20%, 3.2X2.5X2.2MM	
2703-001778	L006	INDUCTOR -SMD	3.3UH, 20%, 3.2X2.5X2.2MM	
2703-001778	L007	INDUCTOR -SMD	3.3UH, 20%, 3.2X2.5X2.2MM	
2703-001778	L201	INDUCTOR -SMD	3.3UH, 20%, 3.2X2.5X2.2MM	
2703-001778	L202	INDUCTOR -SMD	3.3UH, 20%, 3.2X2.5X2.2MM	
2703-001778	L203	INDUCTOR -SMD	3.3UH, 20%, 3.2X2.5X2.2MM	
2703-001778	L204	INDUCTOR -SMD	3.3UH, 20%, 3.2X2.5X2.2MM	
2703-001778	L206	INDUCTOR -SMD	3.3UH, 20%, 3.2X2.5X2.2MM	
2703-001778	L207	INDUCTOR -SMD	3.3UH, 20%, 3.2X2.5X2.2MM	
2703-001778	L208	INDUCTOR -SMD	3.3UH, 20%, 3.2X2.5X2.2MM	
2703-001778	L209	INDUCTOR -SMD	3.3UH, 20%, 3.2X2.5X2.2MM	
2703-001778	L555	INDUCTOR -SMD	3.3UH, 20%, 3.2X2.5X2.2MM	
2703-001778	L612	INDUCTOR -SMD	3.3UH, 20%, 3.2X2.5X2.2MM	
2703-001778	L613	INDUCTOR -SMD	3.3UH, 20%, 3.2X2.5X2.2MM	
2703-001778	L921	INDUCTOR -SMD	3.3UH, 20%, 3.2X2.5X2.2MM	
2703-002327	L540	INDUCTOR -SMD	3.9UH, 55, 3.2X2.5X2.2MM	
2703-002327	L541	INDUCTOR -SMD	3.9UH, 55, 3.2X2.5X2.2MM	
2801-003667	X201	CRYSTAL -SMD	14.3182MHZ, 50PPM, 28-AAN, 16, 500HM, TP	
2801-003843	X511	CRYSTAL -SMD	18.432MHZ, 30ppm, 28-AAN, 20pF, 50ohm, TP	
2801-004004	X401	CRYSTAL -SMD	20.25MHz, 20ppm, 28-AAN, 13pF, 25ohm, TP	
2801-004117	X601	CRYSTAL -SMD	6MHZ, 30PPM, 28-ABX, 20PF, 1500HM, TP	
2901-001114	FT101	FILTER-EMI SMD	25VDC, 2.0ADC, -, 100nF, 3.2x1.6x1	
2901-001114	FT281	FILTER-EMI SMD	25VDC, 2.0ADC, -, 100nF, 3.2x1.6x1	
2901-001114	FT901	FILTER-EMI SMD	25VDC, 2.0ADC, -, 100nF, 3.2x1.6x1	
2901-001114	FT902	FILTER-EMI SMD	25VDC, 2.0ADC, -, 100nF, 3.2x1.6x1	
2901-001114	FT903	FILTER-EMI SMD	25VDC, 2.0ADC, -, 100nF, 3.2x1.6x1	
2901-001114	FT904	FILTER-EMI SMD	25VDC, 2.0ADC, -, 100nF, 3.2x1.6x1	
2901-001114	FT923	FILTER-EMI SMD	25VDC, 2.0ADC, -, 100nF, 3.2x1.6x1	
2901-001114	R293	FILTER-EMI SMD	25VDC, 2.0ADC, -, 100nF, 3.2x1.6x1	
3301-001145	FT211	CORE-FERRITE BEAD	AB, 4.5x1.6x1.6mm, -, -	SNA
3301-001145	FT303	CORE-FERRITE BEAD	AB, 4.5x1.6x1.6mm, -, -	SNA
3301-001145	FT304	CORE-FERRITE BEAD	AB, 4.5x1.6x1.6mm, -, -	SNA
3301-001145	FT811	CORE-FERRITE BEAD	AB, 4.5x1.6x1.6mm, -, -	SNA
3301-001145	FT814	CORE-FERRITE BEAD	AB, 4.5x1.6x1.6mm, -, -	SNA
3301-001145	FT815	CORE-FERRITE BEAD	AB, 4.5x1.6x1.6mm, -, -	SNA
3301-001145	FT816	CORE-FERRITE BEAD	AB, 4.5x1.6x1.6mm, -, -	SNA
3301-001145	FT817	CORE-FERRITE BEAD	AB, 4.5x1.6x1.6mm, -, -	SNA
3301-001145	FT818	CORE-FERRITE BEAD	AB, 4.5x1.6x1.6mm, -, -	SNA
3301-001145	FT822	CORE-FERRITE BEAD	AB, 4.5x1.6x1.6mm, -, -	SNA
3301-001145	FT824	CORE-FERRITE BEAD	AB, 4.5x1.6x1.6mm, -, -	SNA
3301-001145	FT825	CORE-FERRITE BEAD	AB, 4.5x1.6x1.6mm, -, -	SNA
3301-001145	FT851	CORE-FERRITE BEAD	AB, 4.5x1.6x1.6mm, -, -	SNA
3301-001145	FT852	CORE-FERRITE BEAD	AB, 4.5x1.6x1.6mm, -, -	SNA
3301-001145	FT920	CORE-FERRITE BEAD	AB, 4.5x1.6x1.6mm, -, -	SNA

3301-001145	FT921	CORE-FERRITE BEAD	AB, 4.5x1.6x1.6mm, -, -	SNA
3301-001145	L100	CORE-FERRITE BEAD	AB, 4.5x1.6x1.6mm, -, -	SNA
3704-000249	IC620_SOCKET	SOCKET-IC	32P, PLCC, SN, 1.27mm	
3711-000556	CN702_1	CONNECTOR-HEADER	BOX, 12P, 1R, 1.25mm, SMD-A, SN	SNA
3711-002046	CN920	CONNECTOR-HEADER	3WALL, 12P, 1R, 1.25mm, SMD-S, SN	SNA
3711-002049	CN701_1	CONNECTOR-HEADER	BOX, 6P, 1R, 1.25mm, SMD-A, SN	SNA
3711-003161	CN901	CONNECTOR-HEADER	BOX, 20P, 1R, 1.25mm, ANGLE, SN	
BN27-00007A	L501	COIL CHOKE-SMD	DHB0504-100, RB15/17NS, 10UH, ±10%, -, 0.080HM, 1.5A, DR5.8X4.5, 20.5TS, 6.0X5.2X4.5MM, -	
BN27-00007A	L502	COIL CHOKE-SMD	DHB0504-100, RB15/17NS, 10UH, ±10%, -, 0.080HM, 1.5A, DR5.8X4.5, 20.5TS, 6.0X5.2X4.5MM, -	
BN27-00007A	L503	COIL CHOKE-SMD	DHB0504-100, RB15/17NS, 10UH, ±10%, -, 0.080HM, 1.5A, DR5.8X4.5, 20.5TS, 6.0X5.2X4.5MM, -	
BN27-00007A	L504	COIL CHOKE-SMD	DHB0504-100, RB15/17NS, 10UH, ±10%, -, 0.080HM, 1.5A, DR5.8X4.5, 20.5TS, 6.0X5.2X4.5MM, -	
BN27-00009A	L806	COIL CHOKE	SMD 12X12X6, EOS, 33UH, 15%, -, 0.12 MAX, 2A, DR10X5.0MM, 18.5TS, 12X12X6, 1.8MM, 1UEW 0.	
BN27-00010A	L805	COIL CHOKE	-, NK17NS, 100UH, 10%, -, 0.7 MAX, 6A, DR5.8X4.5MM, 59.5TS, 6.0X5.2X4.5MM, 1.8MM, 1UEW 0.	
BN27-00010A	L830	COIL CHOKE	-, NK17NS, 100UH, 10%, -, 0.7 MAX, 6A, DR5.8X4.5MM, 59.5TS, 6.0X5.2X4.5MM, 1.8MM, 1UEW 0.	
BN27-20001A	L807	COIL-CHOKE	-, 53.0UH, 20%, DR10*5, -, -, -, 0.18ohm, -, -, -, TRAY	
BN41-00139A	MP1.0	PCB MAIN	NK17AS, FR4, 6L, -, -, 280X140X1.6, NK17AS, -, -, -	SNA
BN91-00311Y	-	ASSY LCD	LT17N1	SNA
BN07-00082A	CIS	LCD	LTM170W1-L01, LSA, 8BIT, 17, 16.7M, 30, -, -, AMLCD/2 LVDS, -	
BN91-00348H	-	ASSY SHIELD	NK17AS	SNA
0203-001160	CIS	TAPE-FILAMENT	SCOTCH#8915, T0.16, W48, L55M, TRP	SNA
6001-000154	STD+C/R	SCREW-MACHINE	BH, +, M4, L8, NI PLT, SWRCH18A, FP, -	
6003-000276	C/F+AUD/PCB	SCREW-TAPTITE	BH, +, B, M3, L10, ZPC(YEL), SWCH10	SNA
6003-000276	C/F+B/GUIDE	SCREW-TAPTITE	BH, +, B, M3, L10, ZPC(YEL), SWCH10	SNA
6003-000276	C/F+SH/PCB	SCREW-TAPTITE	BH, +, B, M3, L10, ZPC(YEL), SWCH10	SNA
6003-000276	GND_WIRE+SH/PCB	SCREW-TAPTITE	BH, +, B, M3, L10, ZPC(YEL), SWCH10	SNA
6502-001019	SH/PCB	CABLE CLAMP	DAMC-10, ID9.9, T7.1, NYLON6.6, GRAY	SNA
BN39-00080A	CIS	CABLE RCA-HARNESS	NK17NS, UL2835#28, UL/CSA, 20P, -, -, #28, 12507HS-20, 12507HS-20, BK, -, -, 130MM, 2835#28, S	
BN39-00248A	CIS	LEAD CONNECTOR-ASSY	NK17AS, UL2835#28, UL/CSA, 12P, #28, SMH200-12, 12505HS-12, BK, 230MM, 2835#28, SJ02-01-00	
BN59-00215B	CIS	BOARD-AV JACK ASSY	NK17AS, AV-JACK BOARD ASS'Y	
BN63-00109A	CIS	GASKET	4312FA, CONDUCTIVE FABRIC, 5MM, 17MM, 100MM, GRAY, 71TSSK17-5-100-13, 71TSSK17-5-100-1	SNA
BN63-00222A	CIS	GASKET	NK17AS, CONDUCTIVE FABRIC, 10MM, 17MM, 35MM, GRAY, 71TSSK 17-10-35-13, 71TSSK 17-10-35-	SNA
BN63-00258A	CIS	GASKET	NK17KS, CONDUCTIVE-FABRIC, 3MM, 20MM, 405MM, GRAY, 71TSSK 20-3-405-13, 71TSSK 20-3-405-	SNA
BN70-00192A	CIS	BRACKET-SUPPORT	RB15AS, SECC, 0.8	SNA
BN92-00322A	-	ASSY BOX	NK17AS, -, -, -	SNA
BH75-10529C	CIS	UNIT-HANDLE/PACKING	S/M170MP, PE-LD, PE-HD, -, WHITE, -	
BN72-60001A	CIS	LEVER TOP	LSD210TL, PE-LD, WHITE, TFT_LCD	SNA
BN72-60002C	CIS	LEVER BOTTOM	S/M170MP, PE-HD, BLUE	SNA
BN68-00135A	CIS	LABEL BAR CODE	-, ALL, MPR111, DOM, ART-PAPER 90G, -, WHT, BLACK, -, -, -	SNA
BN69-00276B	CIS	BOX	LW17N13W, GUJU, CB-SW4, YEL, A-1, -, -, -, L597*W453*H245, -	SNA
BN92-00346J	-	ASSY P/MATERIAL	NK17AS	SNA
0203-001100	CIS	TAPE-OPP MASKING	OPP/W75/CLR, T0.05, W75, L800000, CLR	SNA
BH69-00457A	CIS	PACKING-PAD	GH17, FOAM, T3.0, 1180, 1130	SNA
BH69-30355E	CIS	BAG-PE/N	NK15, PE FOAM, 0.5, 650, 650, NTR	SNA
BH69-40318A	CIS	PACKING-PALLET	-, WOODEN, W934, L1220, H120	SNA
BH69-40321J	CIS	PACKING-PAD EDGE	PN15VT, B400, -, -, W140, L1154, -, -, -, SKD	SNA
BH69-40379A	CIS	PACKING-WRAP	LDPE, W500*TO.02, -, -	SNA
BN68-00129A	CIS	LABEL SHIPPING	-, LABEL SHIPPING, ART-PAPER, 100G, -, WHT, BLACK, -, -, -	SNA
BN69-00140T	CIS	PAD-PALLET COVER	SUN(LSA810), SW, 900, 3760, -, -, -, -	SNA
BN69-00248A	CIS	CUSHION-L/R	NIKE 17", EPS, -, -, 50M, -, -, -, -	SNA
BN92-00416Y	-	ASSY ACCESSORY	GH18PSAN/EDC, EDC, NETHERLANDS, 10LANG. (CD)	SNA
BN44-00063A	CIS	ADAPTOR	AD-4914N, EOS17, 100-240VAC, 47 - 63 HZ, +14VDC, 3.5A, -, 49W, -, 0 TO +40 C, 120*63*31, SA	
BN96-00050Y	CIS	ASSY ACCESSORY	GG15LS	SNA
0203-000214	CIS	TAPE-OPP MASKING	OPP/W50/CLR, T0.05, W50, L400000,	SNA
4301-000121	CIS	BATTERY-MN	1.5V, -, AAA, 10.5x44.5m, HOLDER	SNA
6801-001009	CIS	CARD-WARRANTY	EUROPE (12), 8	SNA
6801-001014	CIS	CARD-REGISTRATION	XEU, ENG, MOJO100, L150, W392, -, -	SNA
6801-001015	CIS	CARD-REGISTRATION	XEG, GERMAN, MOJO100, L150, W392, -, -	SNA
6801-001016	CIS	CARD-REGISTRATION	XEF, FRENCH, MOJO100, L150, W392, -, -	SNA
6801-001017	CIS	CARD-REGISTRATION	XEC, SPANISH, MOJO100, L150, W392, -, -	SNA

6801-001019	CIS	CARD-REGISTRATION	XEN,DUTCH,MOJO100,L150,W392,-,-	SNA
6801-001020	CIS	CARD-REGISTRATION	XEP,PORTUGAL,MOJO100,L150,W392,-,-	SNA
BH39-10339H	CIS	CBF POWER CORD	DET,H05VV-F,250V/10,16A,BLK,25	
BH39-40355W	CIS	CBF-HARNESS	-,2000MM,IVORY,-,-,-	
BH69-30348D	CIS	BAG-PE	LDPE,TO.05,W240*L356,Y,-,CMG73	SNA
BN39-00043A	CIS	CBF SIGNAL	DETACHABLE,-,15P/15P,-,-,-	
BN59-00225A	CIS	REMOCON	-,TM71,NIKE,41,GR20,BLUE,PAL,-,-,-,-	
BN68-00248B	CIS	MANUAL USERS-03	LT15N13W,LT17N13W,SAMSUNG,E/F/S/G/P/I/SW,EDC,MIMOJO80G,148,210	
BN92-00619H	-	ASSY LABEL	LW17N13WX/XEC	SNA
AA68-50502A	CIS	LABEL-CONFORMATION	W/P100(G),CTV,ITALY,170x110,BL	SNA
BN68-00243B	CIS	LABEL RATING	NK17AS,EDC,PE,TO.05,90,45,SYNC,-,PE NATURE,-,-	SNA
EY-LW17N13WX/XEC	-	2	LTM170W1-L01	-
BN90-00217A	-	ASSY STAND	NK17NS	SNA
BN96-00204A	STD	ASSY STAND P	EOS/NIKE17",SILVER SPRAY	SNA
6003-000009	STD	SCREW-TAPTITE	BH,+,B,M4,L16,ZPC(YEL),SWRCH18	SNA
6003-001010	STD	SCREW-TAPTITE	FH,+,B,M3,L6,ZPC(YEL),SWRCH18A	
6003-001315	STD	SCREW-TAPTITE	BH,+,B,M4,L20,ZPC(YEL),SWRCH18A	SNA
BH73-60339A	STD	RUBBER-LEG	SLC1400,EVA,GRAY,65HB,DIA13*H2	SNA
BN61-00184A	STD	STAND-BASE	ES15AS,ABS PC,GR40,SV-012P	SNA
BN61-00266A	STD	FRAME-STAND BASE	EOS / NIKE,EGI T1.2	
BN72-00254A	STD	STAND-COVER REAR	EOS 15,ABS,HB,IV16,SPRAY	SNA
BN72-00257A	STD	STAND FRONT	EOS 15,ABS,HB,16,SPRAY	SNA
BN75-00211A	STD	UNIT-HINGE	EOS15,-,SECC T2.0,-,-,-,-	SNA
BN90-00247G	-	ASSY COVER REAR	NK17AS	SNA
BN90-00263B	CIS	ASSY REAR	NK17AS(PAL),ABS HB,SV-012P,SPRAY	
BN63-00102A	CIS	COVER-REAR	NIKE 17",ABS,-,-,-,HB,-,IV16,NONE,1.5	SNA
BN70-00176A	CIS	BRACKET VESA	RB15AS,SECC,1	SNA
BN90-00303J	-	ASSY COVER FRONT	NK17AS	SNA
6003-001319	C/F+C/R	SCREW-TAPTITE	BH,+,B,M3,L10,NI PLT,SWRCH18A,-	SNA
BN90-00021B	CIS	ASSY COVER FRONT	NK17AS(PAL),-,ABS,HB,-,BL-903P,-,-,SPRAY	
6003-000259	CIS	SCREW-TAPTITE	BH,+,B,M3,L8,ZPC(YEL),SWRCH18A	SNA
6003-000276	CIS	SCREW-TAPTITE	BH,+,B,M3,L10,ZPC(YEL),SWCH10	SNA
BN59-00233A	CIS	BOARD-FUNCTION	NK17NS,-,-,FUNCTION PCB,-,-,-	SNA
BN59-00234A	CIS	BOARD-IR PCB	NK17NS,-,-,IR PCB,-,-,-	SNA
BN59-00263A	CIS	SPEAKER SYSTEM	EOS/NIKE17,EOS/NIKE17-L,100X42,WIRE:240MM	SNA
BN59-00274A	CIS	SPEAKER SYSTEM	NIKE17,NIKE17-R,100X42,WIRE:630MM	SNA
BN63-00039A	CIS	GASKET-EMI	CN18ASE,-,0.3MM,7MM,380MM,-,-,-	SNA
BN63-00101A	CIS	COVER-FRONT	NIKE17",ABS,-,-,-,HB,-,IV16,NONE,1.5	SNA
BN64-00031A	CIS	BADGE-BRAND	RB15AS,AL,T1.4,6.3,40.1,-,SILIVER,-	SNA
BN64-00048A	CIS	KNOB-FUNCTION	NIKE 17",ABS,-,-,-,HB,IV16,-,SPRAY	SNA
BN67-00020A	CIS	LENS-LED	EOS15,ACRYL,CLEAR,-,-,-,-	
BN91-00247A	-	ASSY CHASSIS	NK17AS	
BN94-00270A	-	ASSY PCB MAIN	NK17AS	SNA
0201-001223	CIS	ADHESIVE-TS	HT-130S,RED,700+/- 50,-	SNA
0202-001044	CIS	SOLDER-WIRE.	S63S-W3.0,S63S,D3,63Sn/37Pb,-	SNA
0202-001046	CIS	SOLDER-WIRE FLUX	CF-110VH-2A,-,-,-,-	SNA
0202-001222	CIS	SOLDER-WIRE FLUX	RS-107,RS60-1.2AA,D1.2,SN60/PB40,-	SNA
0204-001095	CIS	THINNER	#4520,-,-,-	SNA
0402-000208	CIS	DIODE-RECTIFIER	EK-04,40V,1.5A,DO-41	
2004-000970	CIS	R-METAL	470ohm,1%,1/4W,AA,TP,2.4x6.4mm	
2401-000010	C845	C-AL	220uF,20%,16V,GP,-,6.3x11mm,2.	
2401-000010	C851	C-AL	220uF,20%,16V,GP,-,6.3x11mm,2.	
2401-000010	C857	C-AL	220uF,20%,16V,GP,-,6.3x11mm,2.	
2401-001363	C971	C-AL	470uF,20%,16V,GP,TP,10x12.5,5	
2401-001363	C981	C-AL	470uF,20%,16V,GP,TP,10x12.5,5	
2401-003224	C876	C-AL	470uF,20%,16V,WT,TP,8X11.5,5mm	
2409-001044	C847	C-ORGANIC	100UF,+/-20%,16V,WT,TP,8X10.5,5	
2701-000146	L151	INDUCTOR-AXIAL	2.2uH,10%,2.5x3.4mm	
2701-000146	L152	INDUCTOR-AXIAL	2.2uH,10%,2.5x3.4mm	

2701-000146	L804	INDUCTOR-AXIAL	2.2uH, 10%, 2.5x3.4mm	
3701-001219	CN401	CONNECTOR-DSUB	15P, 3R, FEMALE, ANGLE, AUF	
3711-000057	CN706_1	CONNECTOR-HEADER	BOX, 3P, 1R, 2.5mm, ANGLE, SN	SNA
3711-000654	CNJIG	CONNECTOR-HEADER	BOX, 12P, 1R, 2.5mm, STRAIGHT, SN	
3711-004270	CN501	CONNECTOR-HEADER	BOX, 2P, 1R, 2MM, ANGLE, SN	SNA
3711-004386	CN502	CONNECTOR-HEADER	BOX, 3P, 1R, 2mm, ANGLE, SN	SNA
3722-000110	CN810	JACK-DC POWER	1P, -, NI, BLACK, -	
3722-000117	CN801	JACK-DC POWER	3P, 3.5MM, AG, BLK, NO	SNA
3722-001055	CN403	JACK-PHONE	5P/2C, 3.6PI, AG, BLK, #16-22	
3722-001806	CN001	JACK-SCART	21P, -, SNPB, BLK, -	
3722-001806	CN002	JACK-SCART	21P, -, SNPB, BLK, -	
6003-000117	IN/PCB+SH/PCB	SCREW-TAPTITE	BH, +, B, M3, L6, ZPC(YEL), SWRCH18A	SNA
6003-000117	M/PCB+SH/PCB	SCREW-TAPTITE	BH, +, B, M3, L6, ZPC(YEL), SWRCH18A	SNA
6003-000117	SH/D_SUB+SH/PCB	SCREW-TAPTITE	BH, +, B, M3, L6, ZPC(YEL), SWRCH18A	SNA
AA39-00046A	CIS	LEAD CONNECTOR-ASSY	, 1P, JUMPER, BLK, 60MM, 1007#22	
BN39-00002A	CIS	CBF-HARNESS	- , 60, BLU/WHT, - , 26, -	
BN39-00247B	CIS	LEAD CONNECTOR-ASSY	NK17AS, UL2835#28, UL/CSA, 6P, #28, 12505HS-06, 12505HS-06, BK, 180MM, 2835#28, SJ02-01-00	
BN40-00005A	CN888	RF MODULATOR-PAL	TCPQ9091PD27D, PAL, - , - , 5V, - 10TO+65C, 50DB, 55DB	
BN44-00041A	CIS	INVERTER	ML17, SIC1803, 48KHz, 14VDC, 1.5mA rms, 7.2mA rms, 48KHz, 160*45*17, 4LAMP, 48KHz, - , -	
BN83-00065A	CIS	CKD-BN44-00056A	BN44-00056A, 1203-000560	SNA
BN83-00066A	CIS	CKD-BN44-00056A	BN44-00056A, 1201-000471	SNA
BN83-00067A	CIS	CKD-BN44-00056A	BN44-00056A, 1202-000104	SNA
BN83-00068A	CIS	CKD-BN44-00056A	BN44-00056A, 0504-000158	SNA
BN83-00069A	CIS	CKD-BN44-00056A	BN44-00056A, 0501-000457	SNA
BN83-00070A	CIS	CKD-BN44-00056A	BN44-00056A, 0504-000129	SNA
BN83-00071A	CIS	CKD-BN44-00056A	BN44-00056A, 0501-000462	SNA
BN83-00074A	CIS	CKD-BN44-00056A	BN44-00056A, 0407-000114	SNA
BN83-00076A	CIS	CKD-BN44-00056A	BN44-00056A, 0407-000122	SNA
BN83-00081A	CIS	CKD-BN44-00056A	BN44-00056A, 2203-000206	SNA
BN83-00082A	CIS	CKD-BN44-00056A	BN44-00056A, 2203-001458	SNA
BN83-00083A	CIS	CKD-BN44-00056A	BN44-00056A, 2203-000455	SNA
BN83-00084A	CIS	CKD-BN44-00056A	BN44-00056A, 2203-000590	SNA
BN83-00085A	CIS	CKD-BN44-00056A	BN44-00056A, 2203-001130	SNA
BN83-00086A	CIS	CKD-BN44-00056A	BN44-00056A, 2203-002793	SNA
BN83-00092A	CIS	CKD-BN44-00056A	BN44-00056A, 2007-000872	SNA
BN83-00106A	CIS	CKD-BN44-00056A	BN44-00056A, 2104-000224	SNA
BN83-00108A	CIS	CKD-BN44-00056A	BN44-00056A, 3601-001038	SNA
BN83-00110A	CIS	CKD-BN44-00056A	BN44-00056A, 3711-000556	SNA
BN83-00111A	CIS	CKD-BN44-00056A	BN44-00056A, 3711-004702	SNA
BN83-00264A	CIS	CKD-0402-000554	INVERTER	
BN83-00265A	CIS	CKD-0501-002218	INVERTER	
BN83-00266A	CIS	CKD-0505-001220	INVERTER	
BN83-00267A	CIS	CKD-0505-001348	INVERTER	
BN83-00268A	CIS	CKD-2007-000003	INVERTER	
BN83-00269A	CIS	CKD-2007-000029	INVERTER	
BN83-00270A	CIS	CKD-2007-000221	INVERTER	
BN83-00271A	CIS	CKD-2007-000282	INVERTER	
BN83-00272A	CIS	CKD-2007-000300	INVERTER	
BN83-00273A	CIS	CKD-2007-000534	INVERTER	
BN83-00274A	CIS	CKD-2007-000546	INVERTER	
BN83-00275A	CIS	CKD-2007-000615	INVERTER	
BN83-00276A	CIS	CKD-2007-000689	INVERTER	
BN83-00277A	CIS	CKD-2007-000703	INVERTER	
BN83-00278A	CIS	CKD-2007-000793	INVERTER	
BN83-00279A	CIS	CKD-2007-000830	INVERTER	
BN83-00280A	CIS	CKD-2007-000844	INVERTER	
BN83-00281A	CIS	CKD-2007-000941	INVERTER	
BN83-00282A	CIS	CKD-2007-001039	INVERTER	
BN83-00283A	CIS	CKD-2007-001113	INVERTER	

BN83-00284A	CIS	CKD-2007-001241	INVERTER	
BN83-00285A	CIS	CKD-2007-001710	INVERTER	
BN83-00286A	CIS	CKD-2007-002529	INVERTER	
BN83-00287A	CIS	CKD-2201-002115	INVERTER	
BN83-00288A	CIS	CKD-2203-002494	INVERTER	
BN83-00289A	CIS	CKD-2301-001359	INVERTER	
BN83-00291A	CIS	CKD-2401-003549	INVERTER	
BN83-00293A	CIS	CKD-LH26-00135A	INVERTER	
BN83-00295A	CIS	CKD-LH26-00136A	INVERTER	
BN83-00297A	CIS	CKD-LH27-00145A	INVERTER	
BN83-00299A	CIS	CKD-LH41-00227A	INVERTER	
BN83-00300A	CIS	CKD-LH72-00173A	INVERTER	
BN83-00301A	CIS	CKD-LH93-05016Z	INVERTER	
BN83-00302A	CIS	CKD-LH93-10009P	INVERTER	
BN83-00303A	CIS	CKD-LH93-20016M	INVERTER	
BN62-00003A	HS200	HEAT SINK- IC	NK, SUN, A6063S, T2.5, W28, L28, -, BH62, -	SNA
BN62-00003A	HS300	HEAT SINK- IC	NK, SUN, A6063S, T2.5, W28, L28, -, BH62, -	SNA
BN75-00237A	CIS	UNIT-SHIELD PCB	NIKE 17", -, SECC, TO.8, -, -, -, -	SNA
BN90-00046B	CIS	ASSY SHIELD-D-SUB	NK15AS(PAL), -, SPT, TO.5, -, -, -, -	SNA
BN96-00048A	CIS	ASSY MISC P-SHIELD COVER	NK15NS, NK17NS	SNA
BN39-00254A	CIS	LEAD CONNECTOR-ASSY	NK15AS, UL1015#18, UL/CSA, 1P, BLK, #18, 35750-1010, 35798-9810, BK, 100MM, 1015#18, SJ02-0	
BN63-00163A	CIS	GASKET	GH17PSS, CONDUCTIVE FABRIC, 8MM, 60MM, 90MM, GRAY, 71TSSK 60-8-90-13, 71TSSK 60-8-90-13	SNA
BN63-00206A	CIS	SHIELD-COVER	NK15NS, SPT, TO.3	SNA
BN97-00065B	-	ASSY MICOM	NK17AS, -, -, -, -, -, -, -	
1102-001129	IC620	IC-EPROM	M27W401, 512KX8BIT, PLCC, 32P, 11.35X13.89MM, 80NS, 3.3V, 10%, PLASTIC, -40TO+85C, -, CMOS,	
BN46-00010B	CIS	S/W MICOM	NK17AS, -, -, -, -, -, -	SNA
BN97-00069A	-	ASSY SMD-MAIN	NK17AS	SNA
0202-001162	CIS	SOLDER-CREAM	RMA-20-21L, S63, -, SN63/PB36.6/AG0.4, FLUX9.5%	SNA
0401-001056	D406	DIODE-SWITCHING	MMBD4148SE, 75V, 200MA, SOT-23, TP	
0401-001056	D407	DIODE-SWITCHING	MMBD4148SE, 75V, 200MA, SOT-23, TP	
0401-001056	D408	DIODE-SWITCHING	MMBD4148SE, 75V, 200MA, SOT-23, TP	
0401-001056	D501	DIODE-SWITCHING	MMBD4148SE, 75V, 200MA, SOT-23, TP	
0401-001056	D681	DIODE-SWITCHING	MMBD4148SE, 75V, 200MA, SOT-23, TP	
0401-001056	D804	DIODE-SWITCHING	MMBD4148SE, 75V, 200MA, SOT-23, TP	
0402-000553	D802	DIODE-RECTIFIER	SS24, 40V, 2.0A, DO-214AA	
0402-001098	D803	DIODE-RECTIFIER	SK34, 40V, 3A, SMC, TP	
0403-000579	D401	DIODE-ZENER	BZX84C5V1, 5.1V, 5%, 200mW, SOT-23	
0403-000579	D402	DIODE-ZENER	BZX84C5V1, 5.1V, 5%, 200mW, SOT-23	
0403-000579	D403	DIODE-ZENER	BZX84C5V1, 5.1V, 5%, 200mW, SOT-23	
0403-000579	D404	DIODE-ZENER	BZX84C5V1, 5.1V, 5%, 200mW, SOT-23	
0403-000579	D601	DIODE-ZENER	BZX84C5V1, 5.1V, 5%, 200mW, SOT-23	
0403-000579	D602	DIODE-ZENER	BZX84C5V1, 5.1V, 5%, 200mW, SOT-23	
0403-000579	D604	DIODE-ZENER	BZX84C5V1, 5.1V, 5%, 200mW, SOT-23	
0403-001048	D001	DIODE-ZENER	BZX84C16, 16V, 15.3-17.1V, 225mW,	
0403-001048	D010	DIODE-ZENER	BZX84C16, 16V, 15.3-17.1V, 225mW,	
0403-001052	D002	DIODE-ZENER	RD8.2MB, 8.2V, 7.7-8.64V, 200mW, S	
0403-001052	D003	DIODE-ZENER	RD8.2MB, 8.2V, 7.7-8.64V, 200mW, S	
0403-001052	D004	DIODE-ZENER	RD8.2MB, 8.2V, 7.7-8.64V, 200mW, S	
0403-001052	D005	DIODE-ZENER	RD8.2MB, 8.2V, 7.7-8.64V, 200mW, S	
0403-001052	D006	DIODE-ZENER	RD8.2MB, 8.2V, 7.7-8.64V, 200mW, S	
0403-001052	D007	DIODE-ZENER	RD8.2MB, 8.2V, 7.7-8.64V, 200mW, S	
0403-001052	D008	DIODE-ZENER	RD8.2MB, 8.2V, 7.7-8.64V, 200mW, S	
0403-001052	D009	DIODE-ZENER	RD8.2MB, 8.2V, 7.7-8.64V, 200mW, S	
0403-001052	D011	DIODE-ZENER	RD8.2MB, 8.2V, 7.7-8.64V, 200mW, S	
0403-001052	D012	DIODE-ZENER	RD8.2MB, 8.2V, 7.7-8.64V, 200mW, S	
0403-001052	D013	DIODE-ZENER	RD8.2MB, 8.2V, 7.7-8.64V, 200mW, S	
0403-001052	D014	DIODE-ZENER	RD8.2MB, 8.2V, 7.7-8.64V, 200mW, S	
0403-001052	D015	DIODE-ZENER	RD8.2MB, 8.2V, 7.7-8.64V, 200mW, S	
0403-001052	D016	DIODE-ZENER	RD8.2MB, 8.2V, 7.7-8.64V, 200mW, S	

0403-001052	D017	DIODE-ZENER	RD8.2MB, 8.2V, 7.7-8.64V, 200mW, S
0403-001052	D018	DIODE-ZENER	RD8.2MB, 8.2V, 7.7-8.64V, 200mW, S
0403-001052	D019	DIODE-ZENER	RD8.2MB, 8.2V, 7.7-8.64V, 200mW, S
0403-001052	D020	DIODE-ZENER	RD8.2MB, 8.2V, 7.7-8.64V, 200mW, S
0403-001052	D021	DIODE-ZENER	RD8.2MB, 8.2V, 7.7-8.64V, 200mW, S
0403-001052	D022	DIODE-ZENER	RD8.2MB, 8.2V, 7.7-8.64V, 200mW, S
0403-001052	D023	DIODE-ZENER	RD8.2MB, 8.2V, 7.7-8.64V, 200mW, S
0403-001052	D024	DIODE-ZENER	RD8.2MB, 8.2V, 7.7-8.64V, 200mW, S
0403-001052	D025	DIODE-ZENER	RD8.2MB, 8.2V, 7.7-8.64V, 200mW, S
0403-001052	D026	DIODE-ZENER	RD8.2MB, 8.2V, 7.7-8.64V, 200mW, S
0403-001052	D101	DIODE-ZENER	RD8.2MB, 8.2V, 7.7-8.64V, 200mW, S
0403-001052	D102	DIODE-ZENER	RD8.2MB, 8.2V, 7.7-8.64V, 200mW, S
0403-001052	D103	DIODE-ZENER	RD8.2MB, 8.2V, 7.7-8.64V, 200mW, S
0403-001052	D104	DIODE-ZENER	RD8.2MB, 8.2V, 7.7-8.64V, 200mW, S
0403-001052	D116	DIODE-ZENER	RD8.2MB, 8.2V, 7.7-8.64V, 200mW, S
0403-001052	D117	DIODE-ZENER	RD8.2MB, 8.2V, 7.7-8.64V, 200mW, S
0403-001052	D118	DIODE-ZENER	RD8.2MB, 8.2V, 7.7-8.64V, 200mW, S
0403-001052	D119	DIODE-ZENER	RD8.2MB, 8.2V, 7.7-8.64V, 200mW, S
0403-001052	D120	DIODE-ZENER	RD8.2MB, 8.2V, 7.7-8.64V, 200mW, S
0403-001052	D121	DIODE-ZENER	RD8.2MB, 8.2V, 7.7-8.64V, 200mW, S
0403-001052	D122	DIODE-ZENER	RD8.2MB, 8.2V, 7.7-8.64V, 200mW, S
0403-001052	D543	DIODE-ZENER	RD8.2MB, 8.2V, 7.7-8.64V, 200mW, S
0403-001052	D545	DIODE-ZENER	RD8.2MB, 8.2V, 7.7-8.64V, 200mW, S
0403-001052	D570	DIODE-ZENER	RD8.2MB, 8.2V, 7.7-8.64V, 200mW, S
0403-001052	D571	DIODE-ZENER	RD8.2MB, 8.2V, 7.7-8.64V, 200mW, S
0403-001435	D502	DIODE-ZENER	QZX363C5V6, 5.32-5.88, 200mW, SOT-363, TP
0404-001166	D801	DIODE-SCHOTTKY	MBRM130LT3, 30V, 1000MA, DO-216AA, TP
0404-001166	D880	DIODE-SCHOTTKY	MBRM130LT3, 30V, 1000MA, DO-216AA, TP
0407-000123	D405	DIODE-ARRAY	DAN202K, 80V, 100MA, CA2-3, SOT-23, TP
0501-000342	Q020	TR-SMALL SIGNAL	KSC1623-Y, NPN, 200mW, SOT-23, TP, 135-270
0501-000342	Q201	TR-SMALL SIGNAL	KSC1623-Y, NPN, 200mW, SOT-23, TP, 135-270
0501-000342	Q501	TR-SMALL SIGNAL	KSC1623-Y, NPN, 200mW, SOT-23, TP, 135-270
0501-000342	Q555	TR-SMALL SIGNAL	KSC1623-Y, NPN, 200mW, SOT-23, TP, 135-270
0501-000342	Q601	TR-SMALL SIGNAL	KSC1623-Y, NPN, 200mW, SOT-23, TP, 135-270
0501-000342	Q611	TR-SMALL SIGNAL	KSC1623-Y, NPN, 200mW, SOT-23, TP, 135-270
0501-002080	Q001	TR-SMALL SIGNAL	2SC2412K, NPN, 200mW, SC-59, TP, 120-270
0501-002080	Q002	TR-SMALL SIGNAL	2SC2412K, NPN, 200mW, SC-59, TP, 120-270
0501-002080	Q602	TR-SMALL SIGNAL	2SC2412K, NPN, 200mW, SC-59, TP, 120-270
0501-002080	Q711	TR-SMALL SIGNAL	2SC2412K, NPN, 200mW, SC-59, TP, 120-270
0501-002080	Q713	TR-SMALL SIGNAL	2SC2412K, NPN, 200mW, SC-59, TP, 120-270
0501-002080	Q808	TR-SMALL SIGNAL	2SC2412K, NPN, 200mW, SC-59, TP, 120-270
0501-002080	Q812	TR-SMALL SIGNAL	2SC2412K, NPN, 200mW, SC-59, TP, 120-270
0501-002080	Q813	TR-SMALL SIGNAL	2SC2412K, NPN, 200mW, SC-59, TP, 120-270
0505-001170	IC808	FET-SILICON	S19933ADY-T1, P, -20V, 3.4A, 0.06ohm, 2W, SO-8
0801-002267	IC406	IC-CMOS LOGIC	74LCX14, -, SOIC, 14P, 150MIL, -, TP, -, -, -, 3.6V, -40TO+85C, -, 5.5V, -, -, 24MA
0904-001009	IC631	IC-I/O SUPPORT CHIP	8574A, -, SOP, 16P, 300MIL, 100KHz,
0904-001009	IC632	IC-I/O SUPPORT CHIP	8574A, -, SOP, 16P, 300MIL, 100KHz,
1001-001082	IC013	IC-VIDEO SWITCH	BA7657F, -, SOP, 24P, 300MIL, SINGL
1001-001109	IC012	IC-ANALOG SWITCH	FST3125M, BUS SWITCH & CMOS, SOIC, 17P, 150MIL, QUAD, 7V, -40TO+85C, PLASTIC, -, 4.0OHM, 5.
1001-001109	IC681	IC-ANALOG SWITCH	FST3125M, BUS SWITCH & CMOS, SOIC, 17P, 150MIL, QUAD, 7V, -40TO+85C, PLASTIC, -, 4.0OHM, 5.
1001-001177	IC011	IC-VIDEO SWITCH	TEA6425D, VIDEO SWITCH, SOIC, 20P, 300MIL, -, 8.8V, 0TO+70C, PLASTIC, -, -, -, 2UA, ST, -
1001-001190	IC001	IC-ANALOG SWITCH	FST16233MTD, BUS SWITCH, TSSOP, 56P, 240MIL, -, 5.5V, -40TO+85C, PLASTIC, -, 200HM, 8.5NS, 7
1002-001292	IC350	IC-A/D CONVERTER	AD9883AKST-110, 8BITS, QFP, 80P, 551MIL, ±0.5LSB, TR, CMOS, PLASTIC, 3.3V, -25TO+85C, 650M
1003-001419	IC300	IC-DISPLAY DRIVER	MN82860, QFP, 208P, 1102MIL, -, -, TR, PLASTIC, 3.3V, -, 2.3W, -, -
1103-000129	IC401	IC-EEPROM	24C02, 256x8BIT, SOP, 8P, 150MIL, 1
1103-000138	IC603	IC-EEPROM	24C16, 2Kx8BIT, SOP, 8P, 150MIL, 10
1109-001195	IC210	IC-VIDEO RAM	K4G323222A, 2X512KX32BIT, PQFP, 100P, -, 6NS, 3.3V, 10%, PLASTIC, 0TO+70C, 2MA, CMOS, TR
1109-001195	IC211	IC-VIDEO RAM	K4G323222A, 2X512KX32BIT, PQFP, 100P, -, 6NS, 3.3V, 10%, PLASTIC, 0TO+70C, 2MA, CMOS, TR
1201-001495	IC530	IC-AUDIO AMP	7050, SOP, 8P, 150MIL, DUAL, 26DB, PLASTIC, 6V, 0.25W, -, 40DB, -, -, 20NA, -

1201-001681	IC501	IC-AUDIO AMP	1101, SOP, 30P, 433MIL, -, -, PLASTIC, 13.2V, -, 0to+70C, -, -, -, -, TP
1203-000404	IC801	IC-DC/DC CONVERTER	34063, SOP, 8P, 150MIL, PLASTIC, 1.0/1.3V, -, 0TO+70C, 4.0MA, -, ST
1203-000404	IC810	IC-DC/DC CONVERTER	34063, SOP, 8P, 150MIL, PLASTIC, 1.0/1.3V, -, 0TO+70C, 4.0MA, -, ST
1203-001212	IC604	IC-VOL. DETECTOR	7029, SOT-89, 3P, -, PLASTIC, -, 500
1203-001293	IC811	IC-POS1.FIXED REG.	033, TO-252, 3P, 6.5MIL, PLASTIC, 3
1203-001448	IC804	IC-SWITCH VOL. REG.	2596, TO-263, 5P, -, PLASTIC, 4.750
1203-001779	IC807	IC-POS1.FIXED REG.	7812, D2PAK, 3P, -, PLASTIC, 11.5/12.5V, -, -40TO+125CC, 1A, -, TP
1203-001816	IC803	IC-POS1.FIXED REG.	78M08, TO-252, 3P, -, PLASTIC, 7.7/8.3V, 1.0W, -40TO+85C, 0.5A, -, TP
1203-001830	IC805	IC-SWITCH VOL. REG.	2676, TO-263, 7P, -, PLASTIC, 3.234/3.336V, -, -40TO+125C, 3A, -, TP
1203-001890	IC802	IC-VOLTAGE REGULATOR	3961, SOT223-5, 5P, -, PLASTIC, 2.5V, -, -40to+125C, 800mA, -, TR
1203-001890	IC806	IC-VOLTAGE REGULATOR	3961, SOT223-5, 5P, -, PLASTIC, 2.5V, -, -40to+125C, 800mA, -, TR
1204-001675	IC919	IC-SOUND PROCESSOR	MSP3451G, QFP, 80P, -, PLASTIC, 9V, 1000mW, 0to+70C, TR, Multistandard Sound
1204-001911	IC200	IC-VIDEO PROCESS	DPTV-3D-6730, PQFP, 208P, 28X28MM, PLASTIC, 4.6V, -, 0TO+70C, TR, -
1204-001912	IC601	IC-DECODER	SDA5550M, P-MQFP, 100P, -, PLASTIC, 3.3V, 1.5W, 0TO+70C, TR, -
1204-001926	IC010	IC-VIDEO PROCESS	VPC3230D-C5, PQFP, 80P, -, PLASTIC, 6V, -, 0 TO 65C, TP, VPC3230D-C5
1205-001740	IC901	IC-TRANSMITTER	DS90C385, TSSOP, 56P, 240MIL, PLASTIC, 4V, 1.63W, -10 TO +70C, ST, FPD LINK-85MHZ(LVDS)
2007-000070	R00B	R-CHIP	0ohm, 5%, 1/16W, DA, TP, 1608
2007-000070	R00G	R-CHIP	0ohm, 5%, 1/16W, DA, TP, 1608
2007-000070	R00R	R-CHIP	0ohm, 5%, 1/16W, DA, TP, 1608
2007-000070	R0HS	R-CHIP	0ohm, 5%, 1/16W, DA, TP, 1608
2007-000070	R0VS	R-CHIP	0ohm, 5%, 1/16W, DA, TP, 1608
2007-000070	R215	R-CHIP	0ohm, 5%, 1/16W, DA, TP, 1608
2007-000070	R216	R-CHIP	0ohm, 5%, 1/16W, DA, TP, 1608
2007-000070	R217	R-CHIP	0ohm, 5%, 1/16W, DA, TP, 1608
2007-000070	R218	R-CHIP	0ohm, 5%, 1/16W, DA, TP, 1608
2007-000070	R222	R-CHIP	0ohm, 5%, 1/16W, DA, TP, 1608
2007-000070	R303	R-CHIP	0ohm, 5%, 1/16W, DA, TP, 1608
2007-000070	R328	R-CHIP	0ohm, 5%, 1/16W, DA, TP, 1608
2007-000070	R351	R-CHIP	0ohm, 5%, 1/16W, DA, TP, 1608
2007-000070	R534	R-CHIP	0ohm, 5%, 1/16W, DA, TP, 1608
2007-000070	R537	R-CHIP	0ohm, 5%, 1/16W, DA, TP, 1608
2007-000070	R652	R-CHIP	0ohm, 5%, 1/16W, DA, TP, 1608
2007-000070	R902	R-CHIP	0ohm, 5%, 1/16W, DA, TP, 1608
2007-000071	R002	R-CHIP	22ohm, 5%, 1/16W, DA, TP, 1608
2007-000071	R003	R-CHIP	22ohm, 5%, 1/16W, DA, TP, 1608
2007-000071	R004	R-CHIP	22ohm, 5%, 1/16W, DA, TP, 1608
2007-000071	R102	R-CHIP	22ohm, 5%, 1/16W, DA, TP, 1608
2007-000071	R105	R-CHIP	22ohm, 5%, 1/16W, DA, TP, 1608
2007-000071	R108	R-CHIP	22ohm, 5%, 1/16W, DA, TP, 1608
2007-000071	R304	R-CHIP	22ohm, 5%, 1/16W, DA, TP, 1608
2007-000071	R354	R-CHIP	22ohm, 5%, 1/16W, DA, TP, 1608
2007-000071	R355	R-CHIP	22ohm, 5%, 1/16W, DA, TP, 1608
2007-000071	R367	R-CHIP	22ohm, 5%, 1/16W, DA, TP, 1608
2007-000072	R238	R-CHIP	47ohm, 5%, 1/16W, DA, TP, 1608
2007-000072	R329	R-CHIP	47ohm, 5%, 1/16W, DA, TP, 1608
2007-000072	R521	R-CHIP	47ohm, 5%, 1/16W, DA, TP, 1608
2007-000072	R522	R-CHIP	47ohm, 5%, 1/16W, DA, TP, 1608
2007-000072	R526	R-CHIP	47ohm, 5%, 1/16W, DA, TP, 1608
2007-000072	R528	R-CHIP	47ohm, 5%, 1/16W, DA, TP, 1608
2007-000072	R532	R-CHIP	47ohm, 5%, 1/16W, DA, TP, 1608
2007-000072	R533	R-CHIP	47ohm, 5%, 1/16W, DA, TP, 1608
2007-000072	R903	R-CHIP	47ohm, 5%, 1/16W, DA, TP, 1608
2007-000072	R904	R-CHIP	47ohm, 5%, 1/16W, DA, TP, 1608
2007-000072	R905	R-CHIP	47ohm, 5%, 1/16W, DA, TP, 1608
2007-000072	R907	R-CHIP	47ohm, 5%, 1/16W, DA, TP, 1608
2007-000072	R908	R-CHIP	47ohm, 5%, 1/16W, DA, TP, 1608
2007-000074	R001	R-CHIP	100ohm, 5%, 1/16W, DA, TP, 1608
2007-000074	R005	R-CHIP	100ohm, 5%, 1/16W, DA, TP, 1608
2007-000074	R025	R-CHIP	100ohm, 5%, 1/16W, DA, TP, 1608









2007-000090	R678	R-CHIP	10KOHM, 5%, 1/16W, DA, TP, 1608
2007-000090	R679	R-CHIP	10KOHM, 5%, 1/16W, DA, TP, 1608
2007-000090	R681	R-CHIP	10KOHM, 5%, 1/16W, DA, TP, 1608
2007-000090	R682	R-CHIP	10KOHM, 5%, 1/16W, DA, TP, 1608
2007-000090	R684	R-CHIP	10KOHM, 5%, 1/16W, DA, TP, 1608
2007-000090	R823	R-CHIP	10KOHM, 5%, 1/16W, DA, TP, 1608
2007-000090	R824	R-CHIP	10KOHM, 5%, 1/16W, DA, TP, 1608
2007-000090	R862	R-CHIP	10KOHM, 5%, 1/16W, DA, TP, 1608
2007-000090	R863	R-CHIP	10KOHM, 5%, 1/16W, DA, TP, 1608
2007-000090	R873	R-CHIP	10KOHM, 5%, 1/16W, DA, TP, 1608
2007-000091	R101	R-CHIP	12Kohm, 5%, 1/16W, DA, TP, 1608
2007-000091	R104	R-CHIP	12Kohm, 5%, 1/16W, DA, TP, 1608
2007-000091	R512	R-CHIP	12Kohm, 5%, 1/16W, DA, TP, 1608
2007-000091	R513	R-CHIP	12Kohm, 5%, 1/16W, DA, TP, 1608
2007-000092	R406	R-CHIP	15Kohm, 5%, 1/16W, DA, TP, 1608
2007-000092	R407	R-CHIP	15Kohm, 5%, 1/16W, DA, TP, 1608
2007-000093	R505	R-CHIP	20Kohm, 5%, 1/16W, DA, TP, 1608
2007-000093	R506	R-CHIP	20Kohm, 5%, 1/16W, DA, TP, 1608
2007-000093	R514	R-CHIP	20Kohm, 5%, 1/16W, DA, TP, 1608
2007-000093	R515	R-CHIP	20Kohm, 5%, 1/16W, DA, TP, 1608
2007-000094	R103	R-CHIP	22Kohm, 5%, 1/16W, DA, TP, 1608
2007-000094	R106	R-CHIP	22Kohm, 5%, 1/16W, DA, TP, 1608
2007-000096	R605	R-CHIP	30Kohm, 5%, 1/16W, DA, TP, 1608
2007-000097	R199	R-CHIP	47Kohm, 5%, 1/16W, DA, TP, 1608
2007-000097	R603	R-CHIP	47Kohm, 5%, 1/16W, DA, TP, 1608
2007-000098	R602	R-CHIP	56Kohm, 5%, 1/16W, DA, TP, 1608
2007-000102	R864	R-CHIP	100Kohm, 5%, 1/16W, DA, TP, 1608
2007-000102	R865	R-CHIP	100Kohm, 5%, 1/16W, DA, TP, 1608
2007-000102	R874	R-CHIP	100Kohm, 5%, 1/16W, DA, TP, 1608
2007-000102	R875	R-CHIP	100Kohm, 5%, 1/16W, DA, TP, 1608
2007-000109	R305	R-CHIP	1Mohm, 5%, 1/16W, DA, TP, 1608
2007-000109	R309	R-CHIP	1Mohm, 5%, 1/16W, DA, TP, 1608
2007-000109	R317	R-CHIP	1Mohm, 5%, 1/16W, DA, TP, 1608
2007-000109	R503	R-CHIP	1Mohm, 5%, 1/16W, DA, TP, 1608
2007-000113	R121	R-CHIP	33ohm, 5%, 1/16W, DA, TP, 1608
2007-000113	R122	R-CHIP	33ohm, 5%, 1/16W, DA, TP, 1608
2007-000113	R123	R-CHIP	33ohm, 5%, 1/16W, DA, TP, 1608
2007-000113	R124	R-CHIP	33ohm, 5%, 1/16W, DA, TP, 1608
2007-000113	R125	R-CHIP	33ohm, 5%, 1/16W, DA, TP, 1608
2007-000113	R126	R-CHIP	33ohm, 5%, 1/16W, DA, TP, 1608
2007-000113	R201	R-CHIP	33ohm, 5%, 1/16W, DA, TP, 1608
2007-000113	R202	R-CHIP	33ohm, 5%, 1/16W, DA, TP, 1608
2007-000113	R203	R-CHIP	33ohm, 5%, 1/16W, DA, TP, 1608
2007-000113	R204	R-CHIP	33ohm, 5%, 1/16W, DA, TP, 1608
2007-000113	R205	R-CHIP	33ohm, 5%, 1/16W, DA, TP, 1608
2007-000113	R206	R-CHIP	33ohm, 5%, 1/16W, DA, TP, 1608
2007-000118	R231	R-CHIP	390ohm, 5%, 1/16W, DA, TP, 1608
2007-000120	R645	R-CHIP	680ohm, 5%, 1/16W, DA, TP, 1608
2007-000219	R890	R-CHIP	1.2Kohm, 1%, 1/16W, DA, TP, 1608
2007-000219	R894	R-CHIP	1.2Kohm, 1%, 1/16W, DA, TP, 1608
2007-000239	R244	R-CHIP	1.5Kohm, 1%, 1/16W, DA, TP, 1608
2007-000239	R612	R-CHIP	1.5Kohm, 1%, 1/16W, DA, TP, 1608
2007-000239	R613	R-CHIP	1.5Kohm, 1%, 1/16W, DA, TP, 1608
2007-000309	R027	R-CHIP	10ohm, 5%, 1/16W, DA, TP, 1608
2007-000309	R062	R-CHIP	10ohm, 5%, 1/16W, DA, TP, 1608
2007-000309	R063	R-CHIP	10ohm, 5%, 1/16W, DA, TP, 1608
2007-000309	R214	R-CHIP	10ohm, 5%, 1/16W, DA, TP, 1608
2007-000309	R219	R-CHIP	10ohm, 5%, 1/16W, DA, TP, 1608
2007-000309	R224	R-CHIP	10ohm, 5%, 1/16W, DA, TP, 1608

2007-000309	R438	R-CHIP	10ohm, 5%, 1/16W, DA, TP, 1608
2007-000309	R441	R-CHIP	10ohm, 5%, 1/16W, DA, TP, 1608
2007-000309	R501	R-CHIP	10ohm, 5%, 1/16W, DA, TP, 1608
2007-000309	R502	R-CHIP	10ohm, 5%, 1/16W, DA, TP, 1608
2007-000309	R635	R-CHIP	10ohm, 5%, 1/16W, DA, TP, 1608
2007-000309	R692	R-CHIP	10ohm, 5%, 1/16W, DA, TP, 1608
2007-000309	R693	R-CHIP	10ohm, 5%, 1/16W, DA, TP, 1608
2007-000309	RJ01	R-CHIP	10ohm, 5%, 1/16W, DA, TP, 1608
2007-000309	RJ02	R-CHIP	10ohm, 5%, 1/16W, DA, TP, 1608
2007-000309	RJ03	R-CHIP	10ohm, 5%, 1/16W, DA, TP, 1608
2007-000309	RJ04	R-CHIP	10ohm, 5%, 1/16W, DA, TP, 1608
2007-000309	RJ05	R-CHIP	10ohm, 5%, 1/16W, DA, TP, 1608
2007-000309	RJ06	R-CHIP	10ohm, 5%, 1/16W, DA, TP, 1608
2007-000309	RJ07	R-CHIP	10ohm, 5%, 1/16W, DA, TP, 1608
2007-000309	RJ08	R-CHIP	10ohm, 5%, 1/16W, DA, TP, 1608
2007-000309	RJ09	R-CHIP	10ohm, 5%, 1/16W, DA, TP, 1608
2007-000309	RJ10	R-CHIP	10ohm, 5%, 1/16W, DA, TP, 1608
2007-000309	RJ11	R-CHIP	10ohm, 5%, 1/16W, DA, TP, 1608
2007-000309	RJ12	R-CHIP	10ohm, 5%, 1/16W, DA, TP, 1608
2007-000309	RJ13	R-CHIP	10ohm, 5%, 1/16W, DA, TP, 1608
2007-000309	RJ14	R-CHIP	10ohm, 5%, 1/16W, DA, TP, 1608
2007-000309	RJ15	R-CHIP	10ohm, 5%, 1/16W, DA, TP, 1608
2007-000309	RJ16	R-CHIP	10ohm, 5%, 1/16W, DA, TP, 1608
2007-000309	RJ17	R-CHIP	10ohm, 5%, 1/16W, DA, TP, 1608
2007-000309	RJ18	R-CHIP	10ohm, 5%, 1/16W, DA, TP, 1608
2007-000309	RJ19	R-CHIP	10ohm, 5%, 1/16W, DA, TP, 1608
2007-000458	R591	R-CHIP	18Kohm, 5%, 1/16W, DA, TP, 1608
2007-000512	R109	R-CHIP	2.4Kohm, 5%, 1/16W, DA, TP, 1608
2007-000616	R318	R-CHIP	24Kohm, 5%, 1/16W, DA, TP, 1608
2007-000669	R895	R-CHIP	2Kohm, 1%, 1/16W, DA, TP, 1608
2007-000701	R891	R-CHIP	3.6Kohm, 1%, 1/16W, DA, TP, 1608
2007-000726	R808	R-CHIP	300ohm, 1%, 1/16W, DA, TP, 1608
2007-000821	R807	R-CHIP	390ohm, 1%, 1/16W, DA, TP, 1608
2007-000882	R518	R-CHIP	4.7ohm, 5%, 1/16W, DA, TP, 1608
2007-000882	R519	R-CHIP	4.7ohm, 5%, 1/16W, DA, TP, 1608
2007-001010	R312	R-CHIP	51Kohm, 5%, 1/16W, DA, TP, 1608
2007-001044	R551	R-CHIP	56ohm, 5%, 1/16W, DA, TP, 1608
2007-001044	R552	R-CHIP	56ohm, 5%, 1/16W, DA, TP, 1608
2007-001164	R314	R-CHIP	75ohm, 1%, 1/16W, DA, TP, 1608
2007-001164	R315	R-CHIP	75ohm, 1%, 1/16W, DA, TP, 1608
2007-001164	R316	R-CHIP	75ohm, 1%, 1/16W, DA, TP, 1608
2007-001164	R321	R-CHIP	75ohm, 1%, 1/16W, DA, TP, 1608
2007-001164	R325	R-CHIP	75ohm, 1%, 1/16W, DA, TP, 1608
2007-001164	R326	R-CHIP	75ohm, 1%, 1/16W, DA, TP, 1608
2007-001164	R411	R-CHIP	75ohm, 1%, 1/16W, DA, TP, 1608
2007-001164	R412	R-CHIP	75ohm, 1%, 1/16W, DA, TP, 1608
2007-001164	R413	R-CHIP	75ohm, 1%, 1/16W, DA, TP, 1608
2007-001164	R870	R-CHIP	75ohm, 1%, 1/16W, DA, TP, 1608
2007-001164	R871	R-CHIP	75ohm, 1%, 1/16W, DA, TP, 1608
2007-001164	R872	R-CHIP	75ohm, 1%, 1/16W, DA, TP, 1608
2007-001167	R007	R-CHIP	75ohm, 5%, 1/16W, DA, TP, 1608
2007-001167	R008	R-CHIP	75ohm, 5%, 1/16W, DA, TP, 1608
2007-001167	R009	R-CHIP	75ohm, 5%, 1/16W, DA, TP, 1608
2007-001167	R014	R-CHIP	75ohm, 5%, 1/16W, DA, TP, 1608
2007-001167	R019	R-CHIP	75ohm, 5%, 1/16W, DA, TP, 1608
2007-001167	R022	R-CHIP	75ohm, 5%, 1/16W, DA, TP, 1608
2007-001167	R023	R-CHIP	75ohm, 5%, 1/16W, DA, TP, 1608
2007-001167	R024	R-CHIP	75ohm, 5%, 1/16W, DA, TP, 1608
2007-001167	R035	R-CHIP	75ohm, 5%, 1/16W, DA, TP, 1608

2007-001167	R041	R-CHIP	75ohm,5%,1/16W,DA,TP,1608
2007-001167	R049	R-CHIP	75ohm,5%,1/16W,DA,TP,1608
2007-001167	R067	R-CHIP	75ohm,5%,1/16W,DA,TP,1608
2007-001167	R236	R-CHIP	75ohm,5%,1/16W,DA,TP,1608
2007-001167	R619	R-CHIP	75ohm,5%,1/16W,DA,TP,1608
2007-001175	R511	R-CHIP	8.2Kohm,1%,1/16W,DA,TP,1608
2007-008433	R892	R-CHIP	0.330HM,1%,1W,DA,TP,6432
2007-008433	R893	R-CHIP	0.330HM,1%,1W,DA,TP,6432
2011-000002	IC002	R-NETWORK	22ohm,5%,63mW,L,CHIP,8P,TP
2011-000002	IC003	R-NETWORK	22ohm,5%,63mW,L,CHIP,8P,TP
2011-000002	IC004	R-NETWORK	22ohm,5%,63mW,L,CHIP,8P,TP
2011-000002	IC005	R-NETWORK	22ohm,5%,63mW,L,CHIP,8P,TP
2011-000002	IC006	R-NETWORK	22ohm,5%,63mW,L,CHIP,8P,TP
2011-000002	IC007	R-NETWORK	22ohm,5%,63mW,L,CHIP,8P,TP
2011-000002	IC008	R-NETWORK	22ohm,5%,63mW,L,CHIP,8P,TP
2011-000002	IC009	R-NETWORK	22ohm,5%,63mW,L,CHIP,8P,TP
2011-000002	RA301	R-NETWORK	22ohm,5%,63mW,L,CHIP,8P,TP
2011-000002	RA302	R-NETWORK	22ohm,5%,63mW,L,CHIP,8P,TP
2011-000002	RA303	R-NETWORK	22ohm,5%,63mW,L,CHIP,8P,TP
2011-000002	RA304	R-NETWORK	22ohm,5%,63mW,L,CHIP,8P,TP
2011-000002	RA305	R-NETWORK	22ohm,5%,63mW,L,CHIP,8P,TP
2011-000002	RA306	R-NETWORK	22ohm,5%,63mW,L,CHIP,8P,TP
2011-000002	RA311	R-NETWORK	22ohm,5%,63mW,L,CHIP,8P,TP
2011-000002	RA312	R-NETWORK	22ohm,5%,63mW,L,CHIP,8P,TP
2011-000002	RA313	R-NETWORK	22ohm,5%,63mW,L,CHIP,8P,TP
2011-000002	RA351	R-NETWORK	22ohm,5%,63mW,L,CHIP,8P,TP
2011-000002	RA352	R-NETWORK	22ohm,5%,63mW,L,CHIP,8P,TP
2011-000002	RA353	R-NETWORK	22ohm,5%,63mW,L,CHIP,8P,TP
2011-000002	RA354	R-NETWORK	22ohm,5%,63mW,L,CHIP,8P,TP
2011-000002	RA355	R-NETWORK	22ohm,5%,63mW,L,CHIP,8P,TP
2011-000002	RA356	R-NETWORK	22ohm,5%,63mW,L,CHIP,8P,TP
2011-000515	IC641	R-NETWORK	4.7Kohm,5%,1/16W,L,CHIP,8P,TP
2011-000515	IC642	R-NETWORK	4.7Kohm,5%,1/16W,L,CHIP,8P,TP
2011-000651	IC621	R-NETWORK	10ohm,5%,63mW,L,CHIP,8P,TP
2011-000651	IC622	R-NETWORK	10ohm,5%,63mW,L,CHIP,8P,TP
2011-000651	IC623	R-NETWORK	10ohm,5%,63mW,L,CHIP,8P,TP
2011-000651	IC624	R-NETWORK	10ohm,5%,63mW,L,CHIP,8P,TP
2011-000651	IC625	R-NETWORK	10ohm,5%,63mW,L,CHIP,8P,TP
2011-000651	IC626	R-NETWORK	10ohm,5%,63mW,L,CHIP,8P,TP
2011-000651	IC627	R-NETWORK	10ohm,5%,63mW,L,CHIP,8P,TP
2011-000651	IC628	R-NETWORK	10ohm,5%,63mW,L,CHIP,8P,TP
2011-000651	IC629	R-NETWORK	10ohm,5%,63mW,L,CHIP,8P,TP
2203-000140	C004	C-CERAMIC,CHIP	1.5nF,10%,50V,X7R,TP,1608,-
2203-000140	C008	C-CERAMIC,CHIP	1.5nF,10%,50V,X7R,TP,1608,-
2203-000140	C016	C-CERAMIC,CHIP	1.5nF,10%,50V,X7R,TP,1608,-
2203-000140	C019	C-CERAMIC,CHIP	1.5nF,10%,50V,X7R,TP,1608,-
2203-000140	C038	C-CERAMIC,CHIP	1.5nF,10%,50V,X7R,TP,1608,-
2203-000140	C538	C-CERAMIC,CHIP	1.5nF,10%,50V,X7R,TP,1608,-
2203-000140	C574	C-CERAMIC,CHIP	1.5nF,10%,50V,X7R,TP,1608,-
2203-000189	C112	C-CERAMIC,CHIP	100nF,+80-20%,25V,Y5V,TP,1608,
2203-000189	C304	C-CERAMIC,CHIP	100nF,+80-20%,25V,Y5V,TP,1608,
2203-000189	C338	C-CERAMIC,CHIP	100nF,+80-20%,25V,Y5V,TP,1608,
2203-000189	C504	C-CERAMIC,CHIP	100nF,+80-20%,25V,Y5V,TP,1608,
2203-000189	C505	C-CERAMIC,CHIP	100nF,+80-20%,25V,Y5V,TP,1608,
2203-000189	C506	C-CERAMIC,CHIP	100nF,+80-20%,25V,Y5V,TP,1608,
2203-000189	C524	C-CERAMIC,CHIP	100nF,+80-20%,25V,Y5V,TP,1608,
2203-000189	C525	C-CERAMIC,CHIP	100nF,+80-20%,25V,Y5V,TP,1608,
2203-000189	C526	C-CERAMIC,CHIP	100nF,+80-20%,25V,Y5V,TP,1608,
2203-000189	C541	C-CERAMIC,CHIP	100nF,+80-20%,25V,Y5V,TP,1608,



2203-000236	C465	C-CERAMIC,CHIP	0.1nF,5%,50V,NP0,TP,1608
2203-000236	C470	C-CERAMIC,CHIP	0.1nF,5%,50V,NP0,TP,1608
2203-000236	C550	C-CERAMIC,CHIP	0.1nF,5%,50V,NP0,TP,1608
2203-000236	C617	C-CERAMIC,CHIP	0.1nF,5%,50V,NP0,TP,1608
2203-000236	C618	C-CERAMIC,CHIP	0.1nF,5%,50V,NP0,TP,1608
2203-000236	C811	C-CERAMIC,CHIP	0.1nF,5%,50V,NP0,TP,1608
2203-000236	C888	C-CERAMIC,CHIP	0.1nF,5%,50V,NP0,TP,1608
2203-000236	CB01	C-CERAMIC,CHIP	0.1nF,5%,50V,NP0,TP,1608
2203-000236	CG01	C-CERAMIC,CHIP	0.1nF,5%,50V,NP0,TP,1608
2203-000236	CR01	C-CERAMIC,CHIP	0.1nF,5%,50V,NP0,TP,1608
2203-000239	C314	C-CERAMIC,CHIP	0.1nF,5%,50V,NP0,TP,2012
2203-000257	C114	C-CERAMIC,CHIP	10nF,10%,50V,X7R,TP,1608
2203-000257	C116	C-CERAMIC,CHIP	10nF,10%,50V,X7R,TP,1608
2203-000257	C118	C-CERAMIC,CHIP	10nF,10%,50V,X7R,TP,1608
2203-000257	C120	C-CERAMIC,CHIP	10nF,10%,50V,X7R,TP,1608
2203-000257	C122	C-CERAMIC,CHIP	10nF,10%,50V,X7R,TP,1608
2203-000257	C124	C-CERAMIC,CHIP	10nF,10%,50V,X7R,TP,1608
2203-000257	C383	C-CERAMIC,CHIP	10nF,10%,50V,X7R,TP,1608
2203-000257	C623	C-CERAMIC,CHIP	10nF,10%,50V,X7R,TP,1608
2203-000257	C825	C-CERAMIC,CHIP	10nF,10%,50V,X7R,TP,1608
2203-000257	C859	C-CERAMIC,CHIP	10nF,10%,50V,X7R,TP,1608
2203-000257	C863	C-CERAMIC,CHIP	10nF,10%,50V,X7R,TP,1608
2203-000257	C866	C-CERAMIC,CHIP	10nF,10%,50V,X7R,TP,1608
2203-000257	C921	C-CERAMIC,CHIP	10nF,10%,50V,X7R,TP,1608
2203-000280	C023	C-CERAMIC,CHIP	0.01nF,0.5pF,50V,NP0,TP,1608
2203-000280	C025	C-CERAMIC,CHIP	0.01nF,0.5pF,50V,NP0,TP,1608
2203-000280	C026	C-CERAMIC,CHIP	0.01nF,0.5pF,50V,NP0,TP,1608
2203-000280	C027	C-CERAMIC,CHIP	0.01nF,0.5pF,50V,NP0,TP,1608
2203-000280	C028	C-CERAMIC,CHIP	0.01nF,0.5pF,50V,NP0,TP,1608
2203-000280	C029	C-CERAMIC,CHIP	0.01nF,0.5pF,50V,NP0,TP,1608
2203-000280	C030	C-CERAMIC,CHIP	0.01nF,0.5pF,50V,NP0,TP,1608
2203-000280	C057	C-CERAMIC,CHIP	0.01nF,0.5pF,50V,NP0,TP,1608
2203-000280	C058	C-CERAMIC,CHIP	0.01nF,0.5pF,50V,NP0,TP,1608
2203-000280	C059	C-CERAMIC,CHIP	0.01nF,0.5pF,50V,NP0,TP,1608
2203-000280	C060	C-CERAMIC,CHIP	0.01nF,0.5pF,50V,NP0,TP,1608
2203-000280	C355	C-CERAMIC,CHIP	0.01nF,0.5pF,50V,NP0,TP,1608
2203-000280	C356	C-CERAMIC,CHIP	0.01nF,0.5pF,50V,NP0,TP,1608
2203-000280	C527	C-CERAMIC,CHIP	0.01nF,0.5pF,50V,NP0,TP,1608
2203-000280	C572	C-CERAMIC,CHIP	0.01nF,0.5pF,50V,NP0,TP,1608
2203-000357	C608	C-CERAMIC,CHIP	0.15nF,5%,50V,NP0,TP,1608
2203-000440	C062	C-CERAMIC,CHIP	1nF,10%,50V,X7R,TP,1608,-
2203-000440	C063	C-CERAMIC,CHIP	1nF,10%,50V,X7R,TP,1608,-
2203-000440	C064	C-CERAMIC,CHIP	1nF,10%,50V,X7R,TP,1608,-
2203-000440	C065	C-CERAMIC,CHIP	1nF,10%,50V,X7R,TP,1608,-
2203-000440	C301	C-CERAMIC,CHIP	1nF,10%,50V,X7R,TP,1608,-
2203-000440	C536	C-CERAMIC,CHIP	1nF,10%,50V,X7R,TP,1608,-
2203-000440	C537	C-CERAMIC,CHIP	1nF,10%,50V,X7R,TP,1608,-
2203-000440	C539	C-CERAMIC,CHIP	1nF,10%,50V,X7R,TP,1608,-
2203-000440	C547	C-CERAMIC,CHIP	1nF,10%,50V,X7R,TP,1608,-
2203-000440	C901	C-CERAMIC,CHIP	1nF,10%,50V,X7R,TP,1608,-
2203-000440	C902	C-CERAMIC,CHIP	1nF,10%,50V,X7R,TP,1608,-
2203-000440	C905	C-CERAMIC,CHIP	1nF,10%,50V,X7R,TP,1608,-
2203-000491	C544	C-CERAMIC,CHIP	2.2nF,10%,50V,X7R,TP,1608,-
2203-000491	C548	C-CERAMIC,CHIP	2.2nF,10%,50V,X7R,TP,1608,-
2203-000491	C595	C-CERAMIC,CHIP	2.2nF,10%,50V,X7R,TP,1608,-
2203-000491	C596	C-CERAMIC,CHIP	2.2nF,10%,50V,X7R,TP,1608,-
2203-000552	C225	C-CERAMIC,CHIP	0.02nF,5%,50V,NP0,TP,1608
2203-000552	C226	C-CERAMIC,CHIP	0.02nF,5%,50V,NP0,TP,1608
2203-000552	C614	C-CERAMIC,CHIP	0.02nF,5%,50V,NP0,TP,1608



2203-000552	C615	C-CERAMIC,CHIP	0.02nF,5%,50V,NP0,TP,1608
2203-000626	C922	C-CERAMIC,CHIP	0.022nF,5%,50V,NP0,TP,1608
2203-000626	C923	C-CERAMIC,CHIP	0.022nF,5%,50V,NP0,TP,1608
2203-000626	C924	C-CERAMIC,CHIP	0.022nF,5%,50V,NP0,TP,1608
2203-000726	C381	C-CERAMIC,CHIP	3.9nF,10%,50V,X7R,TP,1608,-
2203-000783	C088	C-CERAMIC,CHIP	0.33nF,5%,50V,NP0,TP,1608
2203-000815	C244	C-CERAMIC,CHIP	0.033nF,5%,50V,NP0,TP,1608
2203-000815	C290	C-CERAMIC,CHIP	0.033nF,5%,50V,NP0,TP,1608
2203-000815	C291	C-CERAMIC,CHIP	0.033nF,5%,50V,NP0,TP,1608
2203-000815	C292	C-CERAMIC,CHIP	0.033nF,5%,50V,NP0,TP,1608
2203-000815	C293	C-CERAMIC,CHIP	0.033nF,5%,50V,NP0,TP,1608
2203-000815	C294	C-CERAMIC,CHIP	0.033nF,5%,50V,NP0,TP,1608
2203-000815	C295	C-CERAMIC,CHIP	0.033nF,5%,50V,NP0,TP,1608
2203-000815	C296	C-CERAMIC,CHIP	0.033nF,5%,50V,NP0,TP,1608
2203-000815	C297	C-CERAMIC,CHIP	0.033nF,5%,50V,NP0,TP,1608
2203-000815	C298	C-CERAMIC,CHIP	0.033nF,5%,50V,NP0,TP,1608
2203-000815	C299	C-CERAMIC,CHIP	0.033nF,5%,50V,NP0,TP,1608
2203-000815	C308	C-CERAMIC,CHIP	0.033nF,5%,50V,NP0,TP,1608
2203-000815	C309	C-CERAMIC,CHIP	0.033nF,5%,50V,NP0,TP,1608
2203-000815	C366	C-CERAMIC,CHIP	0.033nF,5%,50V,NP0,TP,1608
2203-000815	C368	C-CERAMIC,CHIP	0.033nF,5%,50V,NP0,TP,1608
2203-000815	C371	C-CERAMIC,CHIP	0.033nF,5%,50V,NP0,TP,1608
2203-000815	C373	C-CERAMIC,CHIP	0.033nF,5%,50V,NP0,TP,1608
2203-000815	C375	C-CERAMIC,CHIP	0.033nF,5%,50V,NP0,TP,1608
2203-000815	C376	C-CERAMIC,CHIP	0.033nF,5%,50V,NP0,TP,1608
2203-000815	C3A1	C-CERAMIC,CHIP	0.033nF,5%,50V,NP0,TP,1608
2203-000815	C3A2	C-CERAMIC,CHIP	0.033nF,5%,50V,NP0,TP,1608
2203-000815	C3A3	C-CERAMIC,CHIP	0.033nF,5%,50V,NP0,TP,1608
2203-000815	C3A4	C-CERAMIC,CHIP	0.033nF,5%,50V,NP0,TP,1608
2203-000815	C3A5	C-CERAMIC,CHIP	0.033nF,5%,50V,NP0,TP,1608
2203-000815	C3A6	C-CERAMIC,CHIP	0.033nF,5%,50V,NP0,TP,1608
2203-000815	C3A7	C-CERAMIC,CHIP	0.033nF,5%,50V,NP0,TP,1608
2203-000815	C3A8	C-CERAMIC,CHIP	0.033nF,5%,50V,NP0,TP,1608
2203-000815	C3A9	C-CERAMIC,CHIP	0.033nF,5%,50V,NP0,TP,1608
2203-000815	C3AA	C-CERAMIC,CHIP	0.033nF,5%,50V,NP0,TP,1608
2203-000815	C3AB	C-CERAMIC,CHIP	0.033nF,5%,50V,NP0,TP,1608
2203-000815	C3AC	C-CERAMIC,CHIP	0.033nF,5%,50V,NP0,TP,1608
2203-000815	C3AD	C-CERAMIC,CHIP	0.033nF,5%,50V,NP0,TP,1608
2203-000839	C313	C-CERAMIC,CHIP	0.39nF,5%,50V,NP0,TP,2012
2203-000903	C011	C-CERAMIC,CHIP	0.0047nF,0.25pF,50V,NP0,TP,1608
2203-000903	C012	C-CERAMIC,CHIP	0.0047nF,0.25pF,50V,NP0,TP,1608
2203-000972	C005	C-CERAMIC,CHIP	47nF,10%,16V,X7R,TP,1608
2203-000972	C007	C-CERAMIC,CHIP	47nF,10%,16V,X7R,TP,1608
2203-000972	C013	C-CERAMIC,CHIP	47nF,10%,16V,X7R,TP,1608
2203-000972	C021	C-CERAMIC,CHIP	47nF,10%,16V,X7R,TP,1608
2203-000972	C379	C-CERAMIC,CHIP	47nF,10%,16V,X7R,TP,1608
2203-000972	C576	C-CERAMIC,CHIP	47nF,10%,16V,X7R,TP,1608
2203-000998	C040	C-CERAMIC,CHIP	0.047nF,5%,50V,NP0,TP,1608
2203-000998	C052	C-CERAMIC,CHIP	0.047nF,5%,50V,NP0,TP,1608
2203-000998	C086	C-CERAMIC,CHIP	0.047nF,5%,50V,NP0,TP,1608
2203-000998	C087	C-CERAMIC,CHIP	0.047nF,5%,50V,NP0,TP,1608
2203-000998	C089	C-CERAMIC,CHIP	0.047nF,5%,50V,NP0,TP,1608
2203-001071	C567	C-CERAMIC,CHIP	0.056nF,5%,50V,NP0,TP,1608
2203-001071	C568	C-CERAMIC,CHIP	0.056nF,5%,50V,NP0,TP,1608
2203-001071	C571	C-CERAMIC,CHIP	0.056nF,5%,50V,NP0,TP,1608
2203-001126	C892	C-CERAMIC,CHIP	0.68nF,10%,50V,X7R,TP,1608
2203-001140	C002	C-CERAMIC,CHIP	68nF,10%,16V,X7R,TP,1608,-
2203-001140	C003	C-CERAMIC,CHIP	68nF,10%,16V,X7R,TP,1608,-
2203-001140	C006	C-CERAMIC,CHIP	68nF,10%,16V,X7R,TP,1608,-





2203-005015	C510	C-CERAMIC,CHIP	150nF,+80-20%,16V,Y5V,TP,1608
2203-005015	C511	C-CERAMIC,CHIP	150nF,+80-20%,16V,Y5V,TP,1608
2203-005015	C512	C-CERAMIC,CHIP	150nF,+80-20%,16V,Y5V,TP,1608
2203-005015	C513	C-CERAMIC,CHIP	150nF,+80-20%,16V,Y5V,TP,1608
2203-005015	C514	C-CERAMIC,CHIP	150nF,+80-20%,16V,Y5V,TP,1608
2203-005015	C515	C-CERAMIC,CHIP	150nF,+80-20%,16V,Y5V,TP,1608
2203-005015	C516	C-CERAMIC,CHIP	150nF,+80-20%,16V,Y5V,TP,1608
2203-005015	C517	C-CERAMIC,CHIP	150nF,+80-20%,16V,Y5V,TP,1608
2203-005015	C518	C-CERAMIC,CHIP	150nF,+80-20%,16V,Y5V,TP,1608
2203-005065	C249	C-CERAMIC,CHIP	1000nF,+80-20%,10V,Y5V,TP,1608
2203-005065	C261	C-CERAMIC,CHIP	1000nF,+80-20%,10V,Y5V,TP,1608
2203-005065	C264	C-CERAMIC,CHIP	1000nF,+80-20%,10V,Y5V,TP,1608
2203-005065	C529	C-CERAMIC,CHIP	1000nF,+80-20%,10V,Y5V,TP,1608
2203-005065	C532	C-CERAMIC,CHIP	1000nF,+80-20%,10V,Y5V,TP,1608
2203-006017	C221	C-CERAMIC,CHIP	0.56NF,5%,50V,COG,TP,1608
2203-006017	C224	C-CERAMIC,CHIP	0.56NF,5%,50V,COG,TP,1608
2203-006036	C018	C-CERAMIC,CHIP	680NF,+80-20%,16V,Y5V,TP,1608
2203-006036	C067	C-CERAMIC,CHIP	680NF,+80-20%,16V,Y5V,TP,1608
2203-006036	C068	C-CERAMIC,CHIP	680NF,+80-20%,16V,Y5V,TP,1608
2402-000108	C552	C-AL,SMD	10uF,20%,16V,WT,TP,4.3x4.3x5.4
2402-000108	C561	C-AL,SMD	10uF,20%,16V,WT,TP,4.3x4.3x5.4
2402-000135	C092	C-AL,SMD	22uF,20%,16V,GP,TP,5.3x5.3x5.4
2402-000135	C093	C-AL,SMD	22uF,20%,16V,GP,TP,5.3x5.3x5.4
2402-000135	C218	C-AL,SMD	22uF,20%,16V,GP,TP,5.3x5.3x5.4
2402-000135	C223	C-AL,SMD	22uF,20%,16V,GP,TP,5.3x5.3x5.4
2402-000135	C231	C-AL,SMD	22uF,20%,16V,GP,TP,5.3x5.3x5.4
2402-000135	C236	C-AL,SMD	22uF,20%,16V,GP,TP,5.3x5.3x5.4
2402-000135	C250	C-AL,SMD	22uF,20%,16V,GP,TP,5.3x5.3x5.4
2402-000135	C251	C-AL,SMD	22uF,20%,16V,GP,TP,5.3x5.3x5.4
2402-000135	C252	C-AL,SMD	22uF,20%,16V,GP,TP,5.3x5.3x5.4
2402-000135	C254	C-AL,SMD	22uF,20%,16V,GP,TP,5.3x5.3x5.4
2402-000135	C258	C-AL,SMD	22uF,20%,16V,GP,TP,5.3x5.3x5.4
2402-000135	C269	C-AL,SMD	22uF,20%,16V,GP,TP,5.3x5.3x5.4
2402-000135	C284	C-AL,SMD	22uF,20%,16V,GP,TP,5.3x5.3x5.4
2402-000135	C320	C-AL,SMD	22uF,20%,16V,GP,TP,5.3x5.3x5.4
2402-000135	C339	C-AL,SMD	22uF,20%,16V,GP,TP,5.3x5.3x5.4
2402-000135	C382	C-AL,SMD	22uF,20%,16V,GP,TP,5.3x5.3x5.4
2402-000135	C591	C-AL,SMD	22uF,20%,16V,GP,TP,5.3x5.3x5.4
2402-000135	C592	C-AL,SMD	22uF,20%,16V,GP,TP,5.3x5.3x5.4
2402-000135	C593	C-AL,SMD	22uF,20%,16V,GP,TP,5.3x5.3x5.4
2402-000135	C594	C-AL,SMD	22uF,20%,16V,GP,TP,5.3x5.3x5.4
2402-000168	C247	C-AL,SMD	100uF,20%,16V,GP,TP,8.3x8.3x6.3mm
2402-000170	C519	C-AL,SMD	1uF,20%,50V,GP,TP,4.3x4.3x5.4,
2402-000170	C521	C-AL,SMD	1uF,20%,50V,GP,TP,4.3x4.3x5.4,
2402-000170	C531	C-AL,SMD	1uF,20%,50V,GP,TP,4.3x4.3x5.4,
2402-000170	C533	C-AL,SMD	1uF,20%,50V,GP,TP,4.3x4.3x5.4,
2402-000170	C828	C-AL,SMD	1uF,20%,50V,GP,TP,4.3x4.3x5.4,
2402-000170	C870	C-AL,SMD	1uF,20%,50V,GP,TP,4.3x4.3x5.4,
2402-000170	C899	C-AL,SMD	1uF,20%,50V,GP,TP,4.3x4.3x5.4,
2402-000173	C343	C-AL,SMD	4.7uF,20%,35V,GP,TP,4.3x4.3x5.
2402-000173	C351	C-AL,SMD	4.7uF,20%,35V,GP,TP,4.3x4.3x5.
2402-000173	C358	C-AL,SMD	4.7uF,20%,35V,GP,TP,4.3x4.3x5.
2402-000173	C553	C-AL,SMD	4.7uF,20%,35V,GP,TP,4.3x4.3x5.
2402-000173	C554	C-AL,SMD	4.7uF,20%,35V,GP,TP,4.3x4.3x5.
2402-000173	C555	C-AL,SMD	4.7uF,20%,35V,GP,TP,4.3x4.3x5.
2402-000173	C556	C-AL,SMD	4.7uF,20%,35V,GP,TP,4.3x4.3x5.
2402-000173	C557	C-AL,SMD	4.7uF,20%,35V,GP,TP,4.3x4.3x5.
2402-000173	C558	C-AL,SMD	4.7uF,20%,35V,GP,TP,4.3x4.3x5.
2402-000173	C562	C-AL,SMD	4.7uF,20%,35V,GP,TP,4.3x4.3x5.



2402-001042	C906	C-AL,SMD	100uF,20%,16V,GP,TP,6.6x6.6x5.4mm
2402-001042	C907	C-AL,SMD	100uF,20%,16V,GP,TP,6.6x6.6x5.4mm
2402-001042	C911	C-AL,SMD	100uF,20%,16V,GP,TP,6.6x6.6x5.4mm
2402-001086	C872	C-AL,SMD	100UF,20%,16V,WT,TP,6.6X6.6X5.3
2402-001155	C288	C-AL,SMD	47UF,20%,16V,WT,TP,6.3X5.2MM
2402-001155	C329	C-AL,SMD	47UF,20%,16V,WT,TP,6.3X5.2MM
2409-001029	C810	C-ORGANIC	120uF,20%,6.3V,WT,TP,10.3x10.3x10.3mm,9
2409-001029	C813	C-ORGANIC	120uF,20%,6.3V,WT,TP,10.3x10.3x10.3mm,9
2409-001029	C826	C-ORGANIC	120uF,20%,6.3V,WT,TP,10.3x10.3x10.3mm,9
2409-001029	C827	C-ORGANIC	120uF,20%,6.3V,WT,TP,10.3x10.3x10.3mm,9
2409-001029	C865	C-ORGANIC	120uF,20%,6.3V,WT,TP,10.3x10.3x10.3mm,9
2409-001029	C867	C-ORGANIC	120uF,20%,6.3V,WT,TP,10.3x10.3x10.3mm,9
2409-001029	C869	C-ORGANIC	120uF,20%,6.3V,WT,TP,10.3x10.3x10.3mm,9
2409-001029	C890	C-ORGANIC	120uF,20%,6.3V,WT,TP,10.3x10.3x10.3mm,9
2503-001018	IC111	C-NETWORK	15PFX4,10%,50V,-
2503-001018	IC112	C-NETWORK	15PFX4,10%,50V,-
2503-001018	IC113	C-NETWORK	15PFX4,10%,50V,-
2503-001018	IC114	C-NETWORK	15PFX4,10%,50V,-
2503-001018	IC115	C-NETWORK	15PFX4,10%,50V,-
2503-001018	IC116	C-NETWORK	15PFX4,10%,50V,-
2703-000398	L008	INDUCTOR-SMD	10uH,10%,3.2x2.5x2.2mm
2703-000398	L401	INDUCTOR-SMD	10uH,10%,3.2x2.5x2.2mm
2703-000398	L410	INDUCTOR-SMD	10uH,10%,3.2x2.5x2.2mm
2703-000412	L611	INDUCTOR-SMD	8.2uH,5%,3.2x2.5x2.2mm
2703-001334	L411	INDUCTOR-SMD	1.5uH,10%,2x1.25x0.85mm
2703-001334	L412	INDUCTOR-SMD	1.5uH,10%,2x1.25x0.85mm
2703-001778	L004	INDUCTOR-SMD	3.3UH,20%,3.2X2.5X2.2MM
2703-001778	L005	INDUCTOR-SMD	3.3UH,20%,3.2X2.5X2.2MM
2703-001778	L006	INDUCTOR-SMD	3.3UH,20%,3.2X2.5X2.2MM
2703-001778	L007	INDUCTOR-SMD	3.3UH,20%,3.2X2.5X2.2MM
2703-001778	L201	INDUCTOR-SMD	3.3UH,20%,3.2X2.5X2.2MM
2703-001778	L202	INDUCTOR-SMD	3.3UH,20%,3.2X2.5X2.2MM
2703-001778	L203	INDUCTOR-SMD	3.3UH,20%,3.2X2.5X2.2MM
2703-001778	L204	INDUCTOR-SMD	3.3UH,20%,3.2X2.5X2.2MM
2703-001778	L206	INDUCTOR-SMD	3.3UH,20%,3.2X2.5X2.2MM
2703-001778	L207	INDUCTOR-SMD	3.3UH,20%,3.2X2.5X2.2MM
2703-001778	L208	INDUCTOR-SMD	3.3UH,20%,3.2X2.5X2.2MM
2703-001778	L209	INDUCTOR-SMD	3.3UH,20%,3.2X2.5X2.2MM
2703-001778	L555	INDUCTOR-SMD	3.3UH,20%,3.2X2.5X2.2MM
2703-001778	L612	INDUCTOR-SMD	3.3UH,20%,3.2X2.5X2.2MM
2703-001778	L613	INDUCTOR-SMD	3.3UH,20%,3.2X2.5X2.2MM
2703-001778	L921	INDUCTOR-SMD	3.3UH,20%,3.2X2.5X2.2MM
2703-002327	L540	INDUCTOR-SMD	3.9UH,55,3.2X2.5X2.2MM
2703-002327	L541	INDUCTOR-SMD	3.9UH,55,3.2X2.5X2.2MM
2801-003667	X201	CRYSTAL-SMD	14.3182MHZ,50PPM,28-AAN,16,500HM,TP
2801-003843	X511	CRYSTAL-SMD	18.432MHz,30ppm,28-AAN,20pF,50ohm,TP
2801-004004	X401	CRYSTAL-SMD	20.25MHz,20ppm,28-AAN,13pF,25ohm,TP
2801-004117	X601	CRYSTAL-SMD	6MHZ,30PPM,28-ABX,20PF,1500HM,TP
2901-001114	FT101	FILTER-EMI SMD	25VDC,2.0ADC,-,100nF,3.2x1.6x1
2901-001114	FT281	FILTER-EMI SMD	25VDC,2.0ADC,-,100nF,3.2x1.6x1
2901-001114	FT901	FILTER-EMI SMD	25VDC,2.0ADC,-,100nF,3.2x1.6x1
2901-001114	FT902	FILTER-EMI SMD	25VDC,2.0ADC,-,100nF,3.2x1.6x1
2901-001114	FT903	FILTER-EMI SMD	25VDC,2.0ADC,-,100nF,3.2x1.6x1
2901-001114	FT904	FILTER-EMI SMD	25VDC,2.0ADC,-,100nF,3.2x1.6x1
2901-001114	FT923	FILTER-EMI SMD	25VDC,2.0ADC,-,100nF,3.2x1.6x1
2901-001114	R293	FILTER-EMI SMD	25VDC,2.0ADC,-,100nF,3.2x1.6x1
3301-001145	FT211	CORE-FERRITE BEAD	AB,4.5x1.6x1.6mm,-,-
3301-001145	FT303	CORE-FERRITE BEAD	AB,4.5x1.6x1.6mm,-,-
3301-001145	FT304	CORE-FERRITE BEAD	AB,4.5x1.6x1.6mm,-,-

3301-001145	FT811	CORE-FERRITE BEAD	AB,4.5x1.6x1.6mm,-,-	SNA
3301-001145	FT814	CORE-FERRITE BEAD	AB,4.5x1.6x1.6mm,-,-	SNA
3301-001145	FT815	CORE-FERRITE BEAD	AB,4.5x1.6x1.6mm,-,-	SNA
3301-001145	FT816	CORE-FERRITE BEAD	AB,4.5x1.6x1.6mm,-,-	SNA
3301-001145	FT817	CORE-FERRITE BEAD	AB,4.5x1.6x1.6mm,-,-	SNA
3301-001145	FT818	CORE-FERRITE BEAD	AB,4.5x1.6x1.6mm,-,-	SNA
3301-001145	FT822	CORE-FERRITE BEAD	AB,4.5x1.6x1.6mm,-,-	SNA
3301-001145	FT824	CORE-FERRITE BEAD	AB,4.5x1.6x1.6mm,-,-	SNA
3301-001145	FT825	CORE-FERRITE BEAD	AB,4.5x1.6x1.6mm,-,-	SNA
3301-001145	FT851	CORE-FERRITE BEAD	AB,4.5x1.6x1.6mm,-,-	SNA
3301-001145	FT852	CORE-FERRITE BEAD	AB,4.5x1.6x1.6mm,-,-	SNA
3301-001145	FT920	CORE-FERRITE BEAD	AB,4.5x1.6x1.6mm,-,-	SNA
3301-001145	FT921	CORE-FERRITE BEAD	AB,4.5x1.6x1.6mm,-,-	SNA
3301-001145	L100	CORE-FERRITE BEAD	AB,4.5x1.6x1.6mm,-,-	SNA
3704-000249	IC620_SOCKET	SOCKET-IC	32P,PLCC,SN,1.27mm	
3711-000556	CN702_1	CONNECTOR-HEADER	BOX,12P,1R,1.25mm,SMD-A,SN	SNA
3711-002046	CN920	CONNECTOR-HEADER	3WALL,12P,1R,1.25mm,SMD-S,SN	SNA
3711-002049	CN701_1	CONNECTOR-HEADER	BOX,6P,1R,1.25mm,SMD-A,SN	SNA
3711-003161	CN901	CONNECTOR-HEADER	BOX,20P,1R,1.25mm,ANGLE,SN	
BN27-00007A	L501	COIL CHOKE-SMD	DHB0504-100,RB15/17NS,10UH,±10%,-,0.080HM,1.5A,DR5.8X4.5,20.5TS,6.0X5.2X4.5MM,-	
BN27-00007A	L502	COIL CHOKE-SMD	DHB0504-100,RB15/17NS,10UH,±10%,-,0.080HM,1.5A,DR5.8X4.5,20.5TS,6.0X5.2X4.5MM,-	
BN27-00007A	L503	COIL CHOKE-SMD	DHB0504-100,RB15/17NS,10UH,±10%,-,0.080HM,1.5A,DR5.8X4.5,20.5TS,6.0X5.2X4.5MM,-	
BN27-00007A	L504	COIL CHOKE-SMD	DHB0504-100,RB15/17NS,10UH,±10%,-,0.080HM,1.5A,DR5.8X4.5,20.5TS,6.0X5.2X4.5MM,-	
BN27-00009A	L806	COIL CHOKE	SMD 12X12X6,EOS,33UH,15%,-,0.12 MAX,2A,DR10X5.0MM,18.5TS,12X12X6,1.8MM,1UEW 0.	
BN27-00010A	L805	COIL CHOKE	-,NK17NS,100UH,10%,-,0.7 MAX,6A,DR5.8X4.5MM,59.5TS,6.0X5.2X4.5MM,1.8MM,1UEW 0.	
BN27-00010A	L830	COIL CHOKE	-,NK17NS,100UH,10%,-,0.7 MAX,6A,DR5.8X4.5MM,59.5TS,6.0X5.2X4.5MM,1.8MM,1UEW 0.	
BN27-20001A	L807	COIL-CHOKE	-,53.0UH,20%,DR10*5,-,-,-,0.18ohm,-,-,-,TRAY	
BN41-00139A	MP1.0	PCB MAIN	NK17AS,FR4,6L,-,-,280X140X1.6,NK17AS,-,-,-	SNA
BN91-00348H	-	ASSY SHIELD	NK17AS	SNA
0203-001160	CIS	TAPE-FILAMENT	SCOTCH#8915,T0.16,W48,L55M,TRP	SNA
6001-000154	STD+C/R	SCREW-MACHINE	BH,+,M4,L8,NI PLT,SWRCH18A,FP,-	
6003-000276	C/F+AUD/PCB	SCREW-TAPTITE	BH,+,B,M3,L10,ZPC(YEL),SWCH10	SNA
6003-000276	C/F+B/GUIDE	SCREW-TAPTITE	BH,+,B,M3,L10,ZPC(YEL),SWCH10	SNA
6003-000276	C/F+SH/PCB	SCREW-TAPTITE	BH,+,B,M3,L10,ZPC(YEL),SWCH10	SNA
6003-000276	GND_WIRE+SH/PCB	SCREW-TAPTITE	BH,+,B,M3,L10,ZPC(YEL),SWCH10	SNA
6502-001019	SH/PCB	CABLE CLAMP	DAMC-10,1D9.9,T7.1,NYLON6.6,GRAY	SNA
BN39-00080A	CIS	CABLE RCA-HARNESS	NK17NS,UL2835#28,UL/CSA,20P,-,-,#28,12507HS-20,12507HS-20,BK,-,-,130MM,2835#28,S	
BN39-00248A	CIS	LEAD CONNECTOR-ASSY	NK17AS,UL2835#28,UL/CSA,12P,#28,SMH200-12,12505HS-12,BK,230MM,2835#28,SJ02-01-00	
BN59-00215B	CIS	BOARD-AV JACK ASSY	NK17AS,AV-JACK BOARD ASS'Y	
BN63-00109A	CIS	GASKET	4312FA,CONDUCTIVE FABRIC,5MM,17MM,100MM,GRAY,71TSSK17-5-100-13,71TSSK17-5-100-1	SNA
BN63-00222A	CIS	GASKET	NK17AS,CONDUCTIVE FABRIC,10MM,17MM,35MM,GRAY,71TSSK 17-10-35-13,71TSSK 17-10-35-	SNA
BN63-00258A	CIS	GASKET	NK17KS,CONDUCTIVE-FABRIC,3MM,20MM,405MM,GRAY,71TSSK 20-3-405-13,71TSSK 20-3-405-	SNA
BN70-00192A	CIS	BRACKET-SUPPORT	RB15AS,SECC,0.8	SNA
BN91-00567A	-	ASSY LCD	NK17"	SNA
BN07-00100A	CIS	LCD	LTM170W1-L01,LSA,8BIT,404*258*16.2,16.7M,30,-,-,AMLCD/2 LVDS,-	
BN92-00322A	-	ASSY BOX	NK17AS,-,-,-	SNA
BH75-10529C	CIS	UNIT-HANDLE/PACKING	S/M170MP,PE-LD,PE-HD,-,WHITE,-	
BN72-60001A	CIS	LEVER TOP	LSD210TL,PE-LD,WHITE,TFT_LCD	SNA
BN72-60002C	CIS	LEVER BOTTOM	S/M170MP,PE-HD,BLUE	SNA
BN68-00135A	CIS	LABEL BAR CODE	-,ALL,MPRII,DOM,ART-PAPER 90G,-,WHT,BLACK,-,-,-	SNA
BN69-00276B	CIS	BOX	LW17N13W,GUJU,CB-SW4,YEL,A-1,-,-,-,L597*W453*H245,-	SNA
BN92-00346J	-	ASSY P/MATERIAL	NK17AS	SNA
0203-001100	CIS	TAPE-OPP MASKING	OPP/W75/CLR,T0.05,W75,L800000,CLR	SNA
BH69-00457A	CIS	PACKING-PAD	GH17,FOAM,T3.0,1180,1130	SNA
BH69-30355E	CIS	BAG-PE/N	NK15,PE FOAM,0.5,650,650,NTR	SNA
BH69-40318A	CIS	PACKING-PALLET	,WOODEN,W934,L1220,H120	SNA
BH69-40321J	CIS	PACKING-PAD EDGE	PN15VT,B400,-,-,W140,L1154	SNA
BH69-40379A	CIS	PACKING-WRAP	LDPE,W500*TO.02,-,-,-	SNA
BN68-00129A	CIS	LABEL SHIPPING	-,LABEL SHIPPING,ART-PAPER,100G,-,WHT,BLACK,-,-,-	SNA

BN69-00140T	CIS	PAD-PALLET COVER	SUN(LSA810) ,SW,900,3760,-,-,-,-,-	SNA
BN69-00248A	CIS	CUSHION-L/R	NIKE 17" ,EPS,-,-,50M,-,-,-,-	SNA
BN92-00416Y	-	ASSY ACCESSORY	GH18PSAN/EDC,EDC,NETHERLANDS,10LANG.(CD)	SNA
BN44-00063A	CIS	ADAPTOR	AD-4914N,EOS17,100-240VAC,47 - 63 HZ,+14VDC,3.5A,-,49W,-,0 TO +40 C,120*63*31,SA	
BN96-00050Y	CIS	ASSY ACCESSORY	GG15LS	SNA
0203-000214	CIS	TAPE-OPP MASKING	OPP/W50/CLR,TO.05,W50,L400000,	SNA
4301-000121	CIS	BATTERY-MN	1.5V,-,AAA,10.5x44.5m,HOLDER	SNA
6801-001009	CIS	CARD-WARRANTY	EUROPE(12),8	SNA
6801-001014	CIS	CARD-REGISTRATION	XEU,ENG,MOJO100,L150,W392,-,-	SNA
6801-001015	CIS	CARD-REGISTRATION	XEG,GERMAN,MOJO100,L150,W392,-,-	SNA
6801-001016	CIS	CARD-REGISTRATION	XEF,FRENCH,MOJO100,L150,W392,-,-	SNA
6801-001017	CIS	CARD-REGISTRATION	XEC,SPANISH,MOJO100,L150,W392,-,-	SNA
6801-001019	CIS	CARD-REGISTRATION	XEN,DUTCH,MOJO100,L150,W392,-,-	SNA
6801-001020	CIS	CARD-REGISTRATION	XEP,PORTUGAL,MOJO100,L150,W392,-,-	SNA
BH39-10339H	CIS	CBF POWER CORD	DET,H05VV-F,250V/10,16A,BLK,25	
BH39-40355W	CIS	CBF-HARNESS	-,2000MM,IVORY,-,-,-	
BH69-30348D	CIS	BAG-PE	LDPE,TO.05,W240*L356,Y,-,CMG73	SNA
BN39-00043A	CIS	CBF SIGNAL	DETACHABLE,-,15P/15P,-,-,-	
BN59-00225A	CIS	REMOCON	-,TM71,NIKE,41,GR20,BLUE,PAL,-,-,-,-	
BN68-00248B	CIS	MANUAL USERS-03	LT15N13W,LT17N13W,SAMSUNG,E/F/S/G/P/I/SW,EDC,MIMOJO80G,148,210	
BN92-00619H	-	ASSY LABEL	LW17N13WX/XEC	SNA
AA68-50502A	CIS	LABEL-CONFORMATION	W/P100(G),CTV,ITALY,170x110,BL	SNA
BN68-00243B	CIS	LABEL RATING	NK17AS,EDC,PE,TO.05,90,45,SYNC,-,PE NATURE,-,-	SNA
S4-LW17N13WX/XEC	-	4	LTM170W1-L01 ZPD	-
BN90-00217A	-	ASSY STAND	NK17NS	SNA
BN96-00204A	STD	ASSY STAND P	EOS/NIKE17",SILVER SPRAY	SNA
6003-000009	STD	SCREW-TAPTITE	BH,+,B,M4,L16,ZPC(YEL),SWRCH18	SNA
6003-001010	STD	SCREW-TAPTITE	FH,+,B,M3,L6,ZPC(YEL),SWRCH18A	
6003-001315	STD	SCREW-TAPTITE	BH,+,B,M4,L20,ZPC(YEL),SWRCH18A	SNA
BH73-60339A	STD	RUBBER-LEG	SLC1400,EVA,GRAY,65HB,DIA13*H2	SNA
BN61-00184A	STD	STAND-BASE	ES15AS,ABS PC,GR40,SV-012P	SNA
BN61-00266A	STD	FRAME-STAND BASE	EOS / NIKE,EGI T1.2	
BN72-00254A	STD	STAND-COVER REAR	EOS 15,ABS,HB,IV16,SPRAY	SNA
BN72-00257A	STD	STAND FRONT	EOS 15,ABS,HB,16,SPRAY	SNA
BN75-00211A	STD	UNIT-HINGE	EOS15,-,SECC T2.0,-,-,-,-,-	SNA
BN90-00247G	-	ASSY COVER REAR	NK17AS	SNA
BN90-00263B	CIS	ASSY REAR	NK17AS(PAL),ABS HB,SV-012P,SPRAY	
BN63-00102A	CIS	COVER-REAR	NIKE 17",ABS,-,-,-,HB,-,IV16,NONE,1.5	SNA
BN70-00176A	CIS	BRACKET VESA	RB15AS,SECC,1	SNA
BN90-00303J	-	ASSY COVER FRONT	NK17AS	SNA
6003-001319	C/F+C/R	SCREW-TAPTITE	BH,+,B,M3,L10,NI PLT,SWRCH18A,-	SNA
BN90-00021B	CIS	ASSY COVER FRONT	NK17AS(PAL),-,ABS,HB,-,BL-903P,-,-,SPRAY	
6003-000259	CIS	SCREW-TAPTITE	BH,+,B,M3,L8,ZPC(YEL),SWRCH18A	SNA
6003-000276	CIS	SCREW-TAPTITE	BH,+,B,M3,L10,ZPC(YEL),SWRCH10	SNA
BN59-00233A	CIS	BOARD-FUNCTION	NK17NS,-,-,FUNCTION PCB,-,-,-	SNA
BN59-00234A	CIS	BOARD-IR PCB	NK17NS,-,-,IR PCB,-,-,-	SNA
BN59-00263A	CIS	SPEAKER SYSTEM	EOS/NIKE17,EOS/NIKE17-L,100X42,WIRE:240MM	SNA
BN59-00274A	CIS	SPEAKER SYSTEM	NIKE17,NIKE17-R,100X42,WIRE:630MM	SNA
BN63-00039A	CIS	GASKET-EMI	CN18ASE,-,0.3MM,7MM,380MM,-,-,-	SNA
BN63-00101A	CIS	COVER-FRONT	NIKE17",ABS,-,-,-,HB,-,IV16,NONE,1.5	SNA
BN64-00031A	CIS	BADGE-BRAND	RB15AS,AL,T1.4,6.3,40.1,-,SILIVER,-	SNA
BN64-00048A	CIS	KNOB-FUNCTION	NIKE 17",ABS,-,-,-,HB,IV16,-,SPRAY	SNA
BN67-00020A	CIS	LENS-LED	EOS15,ACRYL,CLEAR,-,-,-,-	
BN91-00247A	-	ASSY CHASSIS	NK17AS	
BN94-00270A	-	ASSY PCB MAIN	NK17AS	SNA
0201-001223	CIS	ADHESIVE-TS	HT-130S,RED,700+/- 50,-	SNA
0202-001044	CIS	SOLDER-WIRE	S63S-W3.0,S63S,D3,63Sn/37Pb	SNA
0202-001046	CIS	SOLDER-WIRE FLUX	CF-110VH-2A,-,-,-,-	SNA
0202-001222	CIS	SOLDER-WIRE FLUX	RS-107,RS60-1.2AA,D1.2,SN60/PB40,-	SNA



0204-001095	CIS	THINNER	#4520, -, -, -	SNA
0402-000208	CIS	DIODE-RECTIFIER	EK-04, 40V, 1.5A, DO-41	
2004-000970	CIS	R-METAL	470ohm, 1%, 1/4W, AA, TP, 2.4x6.4mm	
2401-000010	C845	C-AL	220uF, 20%, 16V, GP, -, 6.3x11mm, 2.	
2401-000010	C851	C-AL	220uF, 20%, 16V, GP, -, 6.3x11mm, 2.	
2401-000010	C857	C-AL	220uF, 20%, 16V, GP, -, 6.3x11mm, 2.	
2401-001363	C971	C-AL	470uF, 20%, 16V, GP, TP, 10x12.5, 5	
2401-001363	C981	C-AL	470uF, 20%, 16V, GP, TP, 10x12.5, 5	
2401-003224	C876	C-AL	470uF, 20%, 16V, WT, TP, 8X11.5, 5mm	
2409-001044	C847	C-ORGANIC	100UF, +/-20%, 16V, WT, TP, 8X10.5, 5	
2701-000146	L151	INDUCTOR-AXIAL	2.2uH, 10%, 2.5x3.4mm	
2701-000146	L152	INDUCTOR-AXIAL	2.2uH, 10%, 2.5x3.4mm	
2701-000146	L804	INDUCTOR-AXIAL	2.2uH, 10%, 2.5x3.4mm	
3701-001219	CN401	CONNECTOR-DSUB	15P, 3R, FEMALE, ANGLE, AUF	
3711-000057	CN706_1	CONNECTOR-HEADER	BOX, 3P, 1R, 2.5mm, ANGLE, SN	SNA
3711-000654	CN1JG	CONNECTOR-HEADER	BOX, 12P, 1R, 2.5mm, STRAIGHT, SN	
3711-004270	CN501	CONNECTOR-HEADER	BOX, 2P, 1R, 2MM, ANGLE, SN	SNA
3711-004386	CN502	CONNECTOR-HEADER	BOX, 3P, 1R, 2mm, ANGLE, SN	SNA
3722-000110	CN810	JACK-DC POWER	1P, -, NI, BLACK, -	
3722-000117	CN801	JACK-DC POWER	3P, 3.5MM, AG, BLK, NO	SNA
3722-001055	CN403	JACK-PHONE	5P/2C, 3.6PI, AG, BLK, #16-22	
3722-001806	CN001	JACK-SCART	21P, -, SNPB, BLK, -	
3722-001806	CN002	JACK-SCART	21P, -, SNPB, BLK, -	
6003-000117	IN/PCB+SH/PCB	SCREW-TAPTITE	BH, +, B, M3, L6, ZPC(YEL), SWRCH18A	SNA
6003-000117	M/PCB+SH/PCB	SCREW-TAPTITE	BH, +, B, M3, L6, ZPC(YEL), SWRCH18A	SNA
6003-000117	SH/D_SUB+SH/PCB	SCREW-TAPTITE	BH, +, B, M3, L6, ZPC(YEL), SWRCH18A	SNA
AA39-00046A	CIS	LEAD CONNECTOR-ASSY	, 1P, JUMPER, BLK, 60MM, 1007#22	
BN39-00002A	CIS	CBF-HARNESS	-, 60, BLU/WHT, -, 26, -	
BN39-00247B	CIS	LEAD CONNECTOR-ASSY	NK17AS, UL2835#28, UL/CSA, 6P, #28, 12505HS-06, 12505HS-06, BK, 180MM, 2835#28, SJ02-01-00	
BN40-00005A	CN888	RF MODULATOR-PAL	TCPQ9091PD27D, PAL, -, -, -, 5V, -10T0+65C, 50DB, 55DB	
BN44-00041A	CIS	INVERTER	ML17, SIC1803, 48KHz, 14VDC, 1.5mA rms, 7.2mA rms, 48KHz, 160*45*17, 4LAMP, 48KHz, -, -	
BN83-00065A	CIS	CKD-BN44-00056A	BN44-00056A, 1203-000560	SNA
BN83-00066A	CIS	CKD-BN44-00056A	BN44-00056A, 1201-000471	SNA
BN83-00067A	CIS	CKD-BN44-00056A	BN44-00056A, 1202-000104	SNA
BN83-00068A	CIS	CKD-BN44-00056A	BN44-00056A, 0504-000158	SNA
BN83-00069A	CIS	CKD-BN44-00056A	BN44-00056A, 0501-000457	SNA
BN83-00070A	CIS	CKD-BN44-00056A	BN44-00056A, 0504-000129	SNA
BN83-00071A	CIS	CKD-BN44-00056A	BN44-00056A, 0501-000462	SNA
BN83-00074A	CIS	CKD-BN44-00056A	BN44-00056A, 0407-000114	SNA
BN83-00076A	CIS	CKD-BN44-00056A	BN44-00056A, 0407-000122	SNA
BN83-00081A	CIS	CKD-BN44-00056A	BN44-00056A, 2203-000206	SNA
BN83-00082A	CIS	CKD-BN44-00056A	BN44-00056A, 2203-001458	SNA
BN83-00083A	CIS	CKD-BN44-00056A	BN44-00056A, 2203-000455	SNA
BN83-00084A	CIS	CKD-BN44-00056A	BN44-00056A, 2203-000590	SNA
BN83-00085A	CIS	CKD-BN44-00056A	BN44-00056A, 2203-001130	SNA
BN83-00086A	CIS	CKD-BN44-00056A	BN44-00056A, 2203-002793	SNA
BN83-00092A	CIS	CKD-BN44-00056A	BN44-00056A, 2007-000872	SNA
BN83-00106A	CIS	CKD-BN44-00056A	BN44-00056A, 2104-000224	SNA
BN83-00108A	CIS	CKD-BN44-00056A	BN44-00056A, 3601-001038	SNA
BN83-00110A	CIS	CKD-BN44-00056A	BN44-00056A, 3711-000556	SNA
BN83-00111A	CIS	CKD-BN44-00056A	BN44-00056A, 3711-004702	SNA
BN83-00264A	CIS	CKD-0402-000554	INVERTER	
BN83-00265A	CIS	CKD-0501-002218	INVERTER	
BN83-00266A	CIS	CKD-0505-001220	INVERTER	
BN83-00267A	CIS	CKD-0505-001348	INVERTER	
BN83-00268A	CIS	CKD-2007-000003	INVERTER	
BN83-00269A	CIS	CKD-2007-000029	INVERTER	
BN83-00270A	CIS	CKD-2007-000221	INVERTER	
BN83-00271A	CIS	CKD-2007-000282	INVERTER	

BN83-00272A	CIS	CKD-2007-000300	INVERTER	
BN83-00273A	CIS	CKD-2007-000534	INVERTER	
BN83-00274A	CIS	CKD-2007-000546	INVERTER	
BN83-00275A	CIS	CKD-2007-000615	INVERTER	
BN83-00276A	CIS	CKD-2007-000689	INVERTER	
BN83-00277A	CIS	CKD-2007-000703	INVERTER	
BN83-00278A	CIS	CKD-2007-000793	INVERTER	
BN83-00279A	CIS	CKD-2007-000830	INVERTER	
BN83-00280A	CIS	CKD-2007-000844	INVERTER	
BN83-00281A	CIS	CKD-2007-000941	INVERTER	
BN83-00282A	CIS	CKD-2007-001039	INVERTER	
BN83-00283A	CIS	CKD-2007-001113	INVERTER	
BN83-00284A	CIS	CKD-2007-001241	INVERTER	
BN83-00285A	CIS	CKD-2007-001710	INVERTER	
BN83-00286A	CIS	CKD-2007-002529	INVERTER	
BN83-00287A	CIS	CKD-2201-002115	INVERTER	
BN83-00288A	CIS	CKD-2203-002494	INVERTER	
BN83-00289A	CIS	CKD-2301-001359	INVERTER	
BN83-00291A	CIS	CKD-2401-003549	INVERTER	
BN83-00293A	CIS	CKD-LH26-00135A	INVERTER	
BN83-00295A	CIS	CKD-LH26-00136A	INVERTER	
BN83-00297A	CIS	CKD-LH27-00145A	INVERTER	
BN83-00299A	CIS	CKD-LH41-00227A	INVERTER	
BN83-00300A	CIS	CKD-LH72-00173A	INVERTER	
BN83-00301A	CIS	CKD-LH93-05016Z	INVERTER	
BN83-00302A	CIS	CKD-LH93-10009P	INVERTER	
BN83-00303A	CIS	CKD-LH93-20016M	INVERTER	
BN62-00003A	HS200	HEAT SINK-IC	NK,SUN,A6063S,T2.5,W28,L28,-,BH62,-	SNA
BN62-00003A	HS300	HEAT SINK-IC	NK,SUN,A6063S,T2.5,W28,L28,-,BH62,-	SNA
BN75-00237A	CIS	UNIT-SHIELD PCB	NIKE 17",- ,SECC,TO.8,-,-,-,-	SNA
BN90-00046B	CIS	ASSY SHIELD-D-SUB	NK15AS(PAL),-,SPT E,TO.5,-,-,-,-	SNA
BN96-00048A	CIS	ASSY MISC P-SHIELD COVER	NK15NS,NK17NS	SNA
BN39-00254A	CIS	LEAD CONNECTOR-ASSY	NK15AS,UL1015#18,UL/CSA,1P,BLK,#18,35750-1010,35798-9810,BK,100MM,1015#18,SJ02-0	
BN63-00163A	CIS	GASKET	GH17PSS,CONDUCTIVE FABRIC,8MM,60MM,90MM,GRAY,71TSSK 60-8-90-13,71TSSK 60-8-90-13	SNA
BN63-00206A	CIS	SHIELD-COVER	NK15NS,SPT E,TO.3	SNA
BN97-00065B	-	ASSY MICOM	NK17AS,-,-,-,-,-,-,-,-	
1102-001129	IC620	IC-EPROM	M27W401,512KX8BIT,PLCC,32P,11.35X13.89MM,80NS,3.3V,10%,PLASTIC,-40TO+85C,-,CMOS,	
BN46-00010B	CIS	S/W MICOM	NK17AS,-,-,-,-,-,-,-,-	SNA
BN97-00069A	-	ASSY SMD-MAIN	NK17AS	SNA
0202-001162	CIS	SOLDER-CREAM	RMA-20-21L,S63,-,SN63/PB36.6/AGO.4,FLUX9.5%	SNA
0401-001056	D406	DIODE-SWITCHING	MMBD4148SE,75V,200MA,SOT-23,TP	
0401-001056	D407	DIODE-SWITCHING	MMBD4148SE,75V,200MA,SOT-23,TP	
0401-001056	D408	DIODE-SWITCHING	MMBD4148SE,75V,200MA,SOT-23,TP	
0401-001056	D501	DIODE-SWITCHING	MMBD4148SE,75V,200MA,SOT-23,TP	
0401-001056	D681	DIODE-SWITCHING	MMBD4148SE,75V,200MA,SOT-23,TP	
0401-001056	D804	DIODE-SWITCHING	MMBD4148SE,75V,200MA,SOT-23,TP	
0402-000553	D802	DIODE-RECTIFIER	SS24,40V,2.0A,DO-214AA	
0402-001098	D803	DIODE-RECTIFIER	SK34,40V,3A,SMC,TP	
0403-000579	D401	DIODE-ZENER	BZX84C5V1,5.1V,5%,200mW,SOT-23	
0403-000579	D402	DIODE-ZENER	BZX84C5V1,5.1V,5%,200mW,SOT-23	
0403-000579	D403	DIODE-ZENER	BZX84C5V1,5.1V,5%,200mW,SOT-23	
0403-000579	D404	DIODE-ZENER	BZX84C5V1,5.1V,5%,200mW,SOT-23	
0403-000579	D601	DIODE-ZENER	BZX84C5V1,5.1V,5%,200mW,SOT-23	
0403-000579	D602	DIODE-ZENER	BZX84C5V1,5.1V,5%,200mW,SOT-23	
0403-000579	D604	DIODE-ZENER	BZX84C5V1,5.1V,5%,200mW,SOT-23	
0403-001048	D001	DIODE-ZENER	BZX84C16,16V,15.3-17.1V,225mW,	
0403-001048	D010	DIODE-ZENER	BZX84C16,16V,15.3-17.1V,225mW,	
0403-001052	D002	DIODE-ZENER	RD8.2MB,8.2V,7.7-8.64V,200mW,S	
0403-001052	D003	DIODE-ZENER	RD8.2MB,8.2V,7.7-8.64V,200mW,S	

0403-001052	D004	DIODE-ZENER	RD8.2MB, 8.2V, 7.7-8.64V, 200mW, S
0403-001052	D005	DIODE-ZENER	RD8.2MB, 8.2V, 7.7-8.64V, 200mW, S
0403-001052	D006	DIODE-ZENER	RD8.2MB, 8.2V, 7.7-8.64V, 200mW, S
0403-001052	D007	DIODE-ZENER	RD8.2MB, 8.2V, 7.7-8.64V, 200mW, S
0403-001052	D008	DIODE-ZENER	RD8.2MB, 8.2V, 7.7-8.64V, 200mW, S
0403-001052	D009	DIODE-ZENER	RD8.2MB, 8.2V, 7.7-8.64V, 200mW, S
0403-001052	D011	DIODE-ZENER	RD8.2MB, 8.2V, 7.7-8.64V, 200mW, S
0403-001052	D012	DIODE-ZENER	RD8.2MB, 8.2V, 7.7-8.64V, 200mW, S
0403-001052	D013	DIODE-ZENER	RD8.2MB, 8.2V, 7.7-8.64V, 200mW, S
0403-001052	D014	DIODE-ZENER	RD8.2MB, 8.2V, 7.7-8.64V, 200mW, S
0403-001052	D015	DIODE-ZENER	RD8.2MB, 8.2V, 7.7-8.64V, 200mW, S
0403-001052	D016	DIODE-ZENER	RD8.2MB, 8.2V, 7.7-8.64V, 200mW, S
0403-001052	D017	DIODE-ZENER	RD8.2MB, 8.2V, 7.7-8.64V, 200mW, S
0403-001052	D018	DIODE-ZENER	RD8.2MB, 8.2V, 7.7-8.64V, 200mW, S
0403-001052	D019	DIODE-ZENER	RD8.2MB, 8.2V, 7.7-8.64V, 200mW, S
0403-001052	D020	DIODE-ZENER	RD8.2MB, 8.2V, 7.7-8.64V, 200mW, S
0403-001052	D021	DIODE-ZENER	RD8.2MB, 8.2V, 7.7-8.64V, 200mW, S
0403-001052	D022	DIODE-ZENER	RD8.2MB, 8.2V, 7.7-8.64V, 200mW, S
0403-001052	D023	DIODE-ZENER	RD8.2MB, 8.2V, 7.7-8.64V, 200mW, S
0403-001052	D024	DIODE-ZENER	RD8.2MB, 8.2V, 7.7-8.64V, 200mW, S
0403-001052	D025	DIODE-ZENER	RD8.2MB, 8.2V, 7.7-8.64V, 200mW, S
0403-001052	D026	DIODE-ZENER	RD8.2MB, 8.2V, 7.7-8.64V, 200mW, S
0403-001052	D101	DIODE-ZENER	RD8.2MB, 8.2V, 7.7-8.64V, 200mW, S
0403-001052	D102	DIODE-ZENER	RD8.2MB, 8.2V, 7.7-8.64V, 200mW, S
0403-001052	D103	DIODE-ZENER	RD8.2MB, 8.2V, 7.7-8.64V, 200mW, S
0403-001052	D104	DIODE-ZENER	RD8.2MB, 8.2V, 7.7-8.64V, 200mW, S
0403-001052	D116	DIODE-ZENER	RD8.2MB, 8.2V, 7.7-8.64V, 200mW, S
0403-001052	D117	DIODE-ZENER	RD8.2MB, 8.2V, 7.7-8.64V, 200mW, S
0403-001052	D118	DIODE-ZENER	RD8.2MB, 8.2V, 7.7-8.64V, 200mW, S
0403-001052	D119	DIODE-ZENER	RD8.2MB, 8.2V, 7.7-8.64V, 200mW, S
0403-001052	D120	DIODE-ZENER	RD8.2MB, 8.2V, 7.7-8.64V, 200mW, S
0403-001052	D121	DIODE-ZENER	RD8.2MB, 8.2V, 7.7-8.64V, 200mW, S
0403-001052	D122	DIODE-ZENER	RD8.2MB, 8.2V, 7.7-8.64V, 200mW, S
0403-001052	D543	DIODE-ZENER	RD8.2MB, 8.2V, 7.7-8.64V, 200mW, S
0403-001052	D545	DIODE-ZENER	RD8.2MB, 8.2V, 7.7-8.64V, 200mW, S
0403-001052	D570	DIODE-ZENER	RD8.2MB, 8.2V, 7.7-8.64V, 200mW, S
0403-001052	D571	DIODE-ZENER	RD8.2MB, 8.2V, 7.7-8.64V, 200mW, S
0403-001435	D502	DIODE-ZENER	QZX363C5V6, 5.32-5.88, 200mW, SOT-363, TP
0404-001166	D801	DIODE-SCHOTTKY	MBRM130LT3, 30V, 1000MA, DO-216AA, TP
0404-001166	D880	DIODE-SCHOTTKY	MBRM130LT3, 30V, 1000MA, DO-216AA, TP
0407-000123	D405	DIODE-ARRAY	DAN202K, 80V, 100MA, CA2-3, SOT-23, TP
0501-000342	Q020	TR-SMALL SIGNAL	KSC1623-Y, NPN, 200mW, SOT-23, TP, 135-270
0501-000342	Q201	TR-SMALL SIGNAL	KSC1623-Y, NPN, 200mW, SOT-23, TP, 135-270
0501-000342	Q501	TR-SMALL SIGNAL	KSC1623-Y, NPN, 200mW, SOT-23, TP, 135-270
0501-000342	Q555	TR-SMALL SIGNAL	KSC1623-Y, NPN, 200mW, SOT-23, TP, 135-270
0501-000342	Q601	TR-SMALL SIGNAL	KSC1623-Y, NPN, 200mW, SOT-23, TP, 135-270
0501-000342	Q611	TR-SMALL SIGNAL	KSC1623-Y, NPN, 200mW, SOT-23, TP, 135-270
0501-002080	Q001	TR-SMALL SIGNAL	2SC2412K, NPN, 200mW, SC-59, TP, 120-270
0501-002080	Q002	TR-SMALL SIGNAL	2SC2412K, NPN, 200mW, SC-59, TP, 120-270
0501-002080	Q602	TR-SMALL SIGNAL	2SC2412K, NPN, 200mW, SC-59, TP, 120-270
0501-002080	Q711	TR-SMALL SIGNAL	2SC2412K, NPN, 200mW, SC-59, TP, 120-270
0501-002080	Q713	TR-SMALL SIGNAL	2SC2412K, NPN, 200mW, SC-59, TP, 120-270
0501-002080	Q808	TR-SMALL SIGNAL	2SC2412K, NPN, 200mW, SC-59, TP, 120-270
0501-002080	Q812	TR-SMALL SIGNAL	2SC2412K, NPN, 200mW, SC-59, TP, 120-270
0501-002080	Q813	TR-SMALL SIGNAL	2SC2412K, NPN, 200mW, SC-59, TP, 120-270
0505-001170	IC808	FET-SILICON	SI9933ADY-T1, P, -20V, 3.4A, 0.06ohm, 2W, SO-8
0801-002267	IC406	IC-CMOS LOGIC	74LCX14, -, SOIC, 14P, 150MIL, TP, 44, -, -, 3.6V, -40TO+85C, -, 5.5V, -, -, 24MA
0904-001009	IC631	IC-I/O SUPPORT CHIP	8574A, -, SOP, 16P, 300MIL, 100KHz,
0904-001009	IC632	IC-I/O SUPPORT CHIP	8574A, -, SOP, 16P, 300MIL, 100KHz,

1001-001082	IC013	IC-VIDEO SWITCH	BA7657F, -, SOP, 24P, 300MIL, SINGL
1001-001109	IC012	IC-ANALOG SWITCH	FST3125M, BUS SWITCH & CMOS, SOIC, 17P, 150MIL, QUAD, 7V, -40TO+85C, PLASTIC, -, 4.0OHM, 5.
1001-001109	IC681	IC-ANALOG SWITCH	FST3125M, BUS SWITCH & CMOS, SOIC, 17P, 150MIL, QUAD, 7V, -40TO+85C, PLASTIC, -, 4.0OHM, 5.
1001-001177	IC011	IC-VIDEO SWITCH	TEA6425D, VIDEO SWITCH, SOIC, 20P, 300MIL, -, 8.8V, 0TO+70C, PLASTIC, -, -, -, 2UA, ST, -
1001-001190	IC001	IC-ANALOG SWITCH	FST16233MTD, BUS SWITCH, TSSOP, 56P, 240MIL, -, 5.5V, -40TO+85C, PLASTIC, -, 200HM, 8.5NS, 7
1002-001292	IC350	IC-A/D CONVERTER	AD9883AKST-110, 8BITS, QFP, 80P, 551MIL, ±0.5LSB, TR, CMOS, PLASTIC, 3.3V, -25TO+85C, 650M
1003-001419	IC300	IC-DISPLAY DRIVER	MN82860, QFP, 208P, 1102MIL, -, -, TR, PLASTIC, 3.3V, -, 2.3W, -, -
1103-000129	IC401	IC-EEPROM	24C02, 256x8BIT, SOP, 8P, 150MIL, 1
1103-000138	IC603	IC-EEPROM	24C16, 2Kx8BIT, SOP, 8P, 150MIL, 10
1109-001195	IC210	IC-VIDEO RAM	K4G323222A, 2X512KX32BIT, PQFP, 100P, -, 6NS, 3.3V, 10%, PLASTIC, 0TO+70C, 2MA, CMOS, TR
1109-001195	IC211	IC-VIDEO RAM	K4G323222A, 2X512KX32BIT, PQFP, 100P, -, 6NS, 3.3V, 10%, PLASTIC, 0TO+70C, 2MA, CMOS, TR
1201-001495	IC530	IC-AUDIO AMP	7050, SOP, 8P, 150MIL, DUAL, 26DB, PLASTIC, 6V, 0.25W, -, 40DB, -, -, 20NA, -
1201-001681	IC501	IC-AUDIO AMP	1101, SOP, 30P, 433MIL, -, -, PLASTIC, 13.2V, -, 0to+70C, -, -, -, -, TP
1203-000404	IC801	IC-DC/DC CONVERTER	34063, SOP, 8P, 150MIL, PLASTIC, 1.0/1.3V, -, 0TO+70C, 4.0MA, -, ST
1203-000404	IC810	IC-DC/DC CONVERTER	34063, SOP, 8P, 150MIL, PLASTIC, 1.0/1.3V, -, 0TO+70C, 4.0MA, -, ST
1203-001212	IC604	IC-VOL. DETECTOR	7029, SOT-89, 3P, -, PLASTIC, -, 500
1203-001293	IC811	IC-POSITIONAL FIXED REG.	033, TO-252, 3P, 6.5MIL, PLASTIC, 3
1203-001448	IC804	IC-SWITCH VOL. REG.	2596, TO-263, 5P, -, PLASTIC, 4.750
1203-001779	IC807	IC-POSITIONAL FIXED REG.	7812, D2PAK, 3P, -, PLASTIC, 11.5/12.5V, -, -40TO+125CC, 1A, -, TP
1203-001816	IC803	IC-POSITIONAL FIXED REG.	78M08, TO-252, 3P, -, PLASTIC, 7.7/8.3V, 1.0W, -40TO+85C, 0.5A, -, TP
1203-001830	IC805	IC-SWITCH VOL. REG.	2676, TO-263, 7P, -, PLASTIC, 3.234/3.336V, -, -40TO+125C, 3A, -, TP
1203-001890	IC802	IC-VOLTAGE REGULATOR	3961, SOT223-5, 5P, -, PLASTIC, 2.5V, -, -40to+125C, 800mA, -, TR
1203-001890	IC806	IC-VOLTAGE REGULATOR	3961, SOT223-5, 5P, -, PLASTIC, 2.5V, -, -40to+125C, 800mA, -, TR
1204-001675	IC919	IC-SOUND PROCESSOR	MSP3451G, QFP, 80P, -, PLASTIC, 9V, 1000mW, 0to+70C, TR, Multistandard Sound
1204-001911	IC200	IC-VIDEO PROCESS	DPTV-3D-6730, PQFP, 208P, 28X28MM, PLASTIC, 4.6V, -, 0TO+70C, TR, -
1204-001912	IC601	IC-DECODER	SDA5550M, P-MQFP, 100P, -, PLASTIC, 3.3V, 1.5W, 0TO+70C, TR, -
1204-001926	IC010	IC-VIDEO PROCESS	VPC3230D-C5, PQFP, 80P, -, PLASTIC, 6V, -, 0 TO 65C, TP, VPC3230D-C5
1205-001740	IC901	IC-TRANSMITTER	DS90C385, TSSOP, 56P, 240MIL, PLASTIC, 4V, 1.63W, -10 TO +70C, ST, FPD LINK-85MHZ(LVDS)
2007-000070	R00B	R-CHIP	0ohm, 5%, 1/16W, DA, TP, 1608
2007-000070	R00G	R-CHIP	0ohm, 5%, 1/16W, DA, TP, 1608
2007-000070	R00R	R-CHIP	0ohm, 5%, 1/16W, DA, TP, 1608
2007-000070	R0HS	R-CHIP	0ohm, 5%, 1/16W, DA, TP, 1608
2007-000070	R0VS	R-CHIP	0ohm, 5%, 1/16W, DA, TP, 1608
2007-000070	R215	R-CHIP	0ohm, 5%, 1/16W, DA, TP, 1608
2007-000070	R216	R-CHIP	0ohm, 5%, 1/16W, DA, TP, 1608
2007-000070	R217	R-CHIP	0ohm, 5%, 1/16W, DA, TP, 1608
2007-000070	R218	R-CHIP	0ohm, 5%, 1/16W, DA, TP, 1608
2007-000070	R222	R-CHIP	0ohm, 5%, 1/16W, DA, TP, 1608
2007-000070	R303	R-CHIP	0ohm, 5%, 1/16W, DA, TP, 1608
2007-000070	R328	R-CHIP	0ohm, 5%, 1/16W, DA, TP, 1608
2007-000070	R351	R-CHIP	0ohm, 5%, 1/16W, DA, TP, 1608
2007-000070	R534	R-CHIP	0ohm, 5%, 1/16W, DA, TP, 1608
2007-000070	R537	R-CHIP	0ohm, 5%, 1/16W, DA, TP, 1608
2007-000070	R652	R-CHIP	0ohm, 5%, 1/16W, DA, TP, 1608
2007-000070	R902	R-CHIP	0ohm, 5%, 1/16W, DA, TP, 1608
2007-000071	R002	R-CHIP	22ohm, 5%, 1/16W, DA, TP, 1608
2007-000071	R003	R-CHIP	22ohm, 5%, 1/16W, DA, TP, 1608
2007-000071	R004	R-CHIP	22ohm, 5%, 1/16W, DA, TP, 1608
2007-000071	R102	R-CHIP	22ohm, 5%, 1/16W, DA, TP, 1608
2007-000071	R105	R-CHIP	22ohm, 5%, 1/16W, DA, TP, 1608
2007-000071	R108	R-CHIP	22ohm, 5%, 1/16W, DA, TP, 1608
2007-000071	R304	R-CHIP	22ohm, 5%, 1/16W, DA, TP, 1608
2007-000071	R354	R-CHIP	22ohm, 5%, 1/16W, DA, TP, 1608
2007-000071	R355	R-CHIP	22ohm, 5%, 1/16W, DA, TP, 1608
2007-000071	R367	R-CHIP	22ohm, 5%, 1/16W, DA, TP, 1608
2007-000072	R238	R-CHIP	47ohm, 5%, 1/16W, DA, TP, 1608
2007-000072	R329	R-CHIP	47ohm, 5%, 1/16W, DA, TP, 1608
2007-000072	R521	R-CHIP	47ohm, 5%, 1/16W, DA, TP, 1608
2007-000072	R522	R-CHIP	47ohm, 5%, 1/16W, DA, TP, 1608











2007-000120	R645	R-CHIP	680ohm, 5%, 1/16W, DA, TP, 1608
2007-000219	R890	R-CHIP	1.2Kohm, 1%, 1/16W, DA, TP, 1608
2007-000219	R894	R-CHIP	1.2Kohm, 1%, 1/16W, DA, TP, 1608
2007-000239	R244	R-CHIP	1.5Kohm, 1%, 1/16W, DA, TP, 1608
2007-000239	R612	R-CHIP	1.5Kohm, 1%, 1/16W, DA, TP, 1608
2007-000239	R613	R-CHIP	1.5Kohm, 1%, 1/16W, DA, TP, 1608
2007-000309	R027	R-CHIP	10ohm, 5%, 1/16W, DA, TP, 1608
2007-000309	R062	R-CHIP	10ohm, 5%, 1/16W, DA, TP, 1608
2007-000309	R063	R-CHIP	10ohm, 5%, 1/16W, DA, TP, 1608
2007-000309	R214	R-CHIP	10ohm, 5%, 1/16W, DA, TP, 1608
2007-000309	R219	R-CHIP	10ohm, 5%, 1/16W, DA, TP, 1608
2007-000309	R224	R-CHIP	10ohm, 5%, 1/16W, DA, TP, 1608
2007-000309	R438	R-CHIP	10ohm, 5%, 1/16W, DA, TP, 1608
2007-000309	R441	R-CHIP	10ohm, 5%, 1/16W, DA, TP, 1608
2007-000309	R501	R-CHIP	10ohm, 5%, 1/16W, DA, TP, 1608
2007-000309	R502	R-CHIP	10ohm, 5%, 1/16W, DA, TP, 1608
2007-000309	R635	R-CHIP	10ohm, 5%, 1/16W, DA, TP, 1608
2007-000309	R692	R-CHIP	10ohm, 5%, 1/16W, DA, TP, 1608
2007-000309	R693	R-CHIP	10ohm, 5%, 1/16W, DA, TP, 1608
2007-000309	RJ01	R-CHIP	10ohm, 5%, 1/16W, DA, TP, 1608
2007-000309	RJ02	R-CHIP	10ohm, 5%, 1/16W, DA, TP, 1608
2007-000309	RJ03	R-CHIP	10ohm, 5%, 1/16W, DA, TP, 1608
2007-000309	RJ04	R-CHIP	10ohm, 5%, 1/16W, DA, TP, 1608
2007-000309	RJ05	R-CHIP	10ohm, 5%, 1/16W, DA, TP, 1608
2007-000309	RJ06	R-CHIP	10ohm, 5%, 1/16W, DA, TP, 1608
2007-000309	RJ07	R-CHIP	10ohm, 5%, 1/16W, DA, TP, 1608
2007-000309	RJ08	R-CHIP	10ohm, 5%, 1/16W, DA, TP, 1608
2007-000309	RJ09	R-CHIP	10ohm, 5%, 1/16W, DA, TP, 1608
2007-000309	RJ10	R-CHIP	10ohm, 5%, 1/16W, DA, TP, 1608
2007-000309	RJ11	R-CHIP	10ohm, 5%, 1/16W, DA, TP, 1608
2007-000309	RJ12	R-CHIP	10ohm, 5%, 1/16W, DA, TP, 1608
2007-000309	RJ13	R-CHIP	10ohm, 5%, 1/16W, DA, TP, 1608
2007-000309	RJ14	R-CHIP	10ohm, 5%, 1/16W, DA, TP, 1608
2007-000309	RJ15	R-CHIP	10ohm, 5%, 1/16W, DA, TP, 1608
2007-000309	RJ16	R-CHIP	10ohm, 5%, 1/16W, DA, TP, 1608
2007-000309	RJ17	R-CHIP	10ohm, 5%, 1/16W, DA, TP, 1608
2007-000309	RJ18	R-CHIP	10ohm, 5%, 1/16W, DA, TP, 1608
2007-000309	RJ19	R-CHIP	10ohm, 5%, 1/16W, DA, TP, 1608
2007-000458	R591	R-CHIP	18Kohm, 5%, 1/16W, DA, TP, 1608
2007-000512	R109	R-CHIP	2.4Kohm, 5%, 1/16W, DA, TP, 1608
2007-000616	R318	R-CHIP	24Kohm, 5%, 1/16W, DA, TP, 1608
2007-000669	R895	R-CHIP	2Kohm, 1%, 1/16W, DA, TP, 1608
2007-000701	R891	R-CHIP	3.6Kohm, 1%, 1/16W, DA, TP, 1608
2007-000726	R808	R-CHIP	300ohm, 1%, 1/16W, DA, TP, 1608
2007-000821	R807	R-CHIP	390ohm, 1%, 1/16W, DA, TP, 1608
2007-000882	R518	R-CHIP	4.7ohm, 5%, 1/16W, DA, TP, 1608
2007-000882	R519	R-CHIP	4.7ohm, 5%, 1/16W, DA, TP, 1608
2007-001010	R312	R-CHIP	51Kohm, 5%, 1/16W, DA, TP, 1608
2007-001044	R551	R-CHIP	56ohm, 5%, 1/16W, DA, TP, 1608
2007-001044	R552	R-CHIP	56ohm, 5%, 1/16W, DA, TP, 1608
2007-001164	R314	R-CHIP	75ohm, 1%, 1/16W, DA, TP, 1608
2007-001164	R315	R-CHIP	75ohm, 1%, 1/16W, DA, TP, 1608
2007-001164	R316	R-CHIP	75ohm, 1%, 1/16W, DA, TP, 1608
2007-001164	R321	R-CHIP	75ohm, 1%, 1/16W, DA, TP, 1608
2007-001164	R325	R-CHIP	75ohm, 1%, 1/16W, DA, TP, 1608
2007-001164	R326	R-CHIP	75ohm, 1%, 1/16W, DA, TP, 1608
2007-001164	R411	R-CHIP	75ohm, 1%, 1/16W, DA, TP, 1608
2007-001164	R412	R-CHIP	75ohm, 1%, 1/16W, DA, TP, 1608
2007-001164	R413	R-CHIP	75ohm, 1%, 1/16W, DA, TP, 1608

2007-001164	R870	R-CHIP	75ohm, 1%, 1/16W, DA, TP, 1608
2007-001164	R871	R-CHIP	75ohm, 1%, 1/16W, DA, TP, 1608
2007-001164	R872	R-CHIP	75ohm, 1%, 1/16W, DA, TP, 1608
2007-001167	R007	R-CHIP	75ohm, 5%, 1/16W, DA, TP, 1608
2007-001167	R008	R-CHIP	75ohm, 5%, 1/16W, DA, TP, 1608
2007-001167	R009	R-CHIP	75ohm, 5%, 1/16W, DA, TP, 1608
2007-001167	R014	R-CHIP	75ohm, 5%, 1/16W, DA, TP, 1608
2007-001167	R019	R-CHIP	75ohm, 5%, 1/16W, DA, TP, 1608
2007-001167	R022	R-CHIP	75ohm, 5%, 1/16W, DA, TP, 1608
2007-001167	R023	R-CHIP	75ohm, 5%, 1/16W, DA, TP, 1608
2007-001167	R024	R-CHIP	75ohm, 5%, 1/16W, DA, TP, 1608
2007-001167	R035	R-CHIP	75ohm, 5%, 1/16W, DA, TP, 1608
2007-001167	R041	R-CHIP	75ohm, 5%, 1/16W, DA, TP, 1608
2007-001167	R049	R-CHIP	75ohm, 5%, 1/16W, DA, TP, 1608
2007-001167	R067	R-CHIP	75ohm, 5%, 1/16W, DA, TP, 1608
2007-001167	R236	R-CHIP	75ohm, 5%, 1/16W, DA, TP, 1608
2007-001167	R619	R-CHIP	75ohm, 5%, 1/16W, DA, TP, 1608
2007-001175	R511	R-CHIP	8.2Kohm, 1%, 1/16W, DA, TP, 1608
2007-008433	R892	R-CHIP	0.330HM, 1%, 1W, DA, TP, 6432
2007-008433	R893	R-CHIP	0.330HM, 1%, 1W, DA, TP, 6432
2011-000002	IC002	R-NETWORK	22ohm, 5%, 63mW, L, CHIP, 8P, TP
2011-000002	IC003	R-NETWORK	22ohm, 5%, 63mW, L, CHIP, 8P, TP
2011-000002	IC004	R-NETWORK	22ohm, 5%, 63mW, L, CHIP, 8P, TP
2011-000002	IC005	R-NETWORK	22ohm, 5%, 63mW, L, CHIP, 8P, TP
2011-000002	IC006	R-NETWORK	22ohm, 5%, 63mW, L, CHIP, 8P, TP
2011-000002	IC007	R-NETWORK	22ohm, 5%, 63mW, L, CHIP, 8P, TP
2011-000002	IC008	R-NETWORK	22ohm, 5%, 63mW, L, CHIP, 8P, TP
2011-000002	IC009	R-NETWORK	22ohm, 5%, 63mW, L, CHIP, 8P, TP
2011-000002	RA301	R-NETWORK	22ohm, 5%, 63mW, L, CHIP, 8P, TP
2011-000002	RA302	R-NETWORK	22ohm, 5%, 63mW, L, CHIP, 8P, TP
2011-000002	RA303	R-NETWORK	22ohm, 5%, 63mW, L, CHIP, 8P, TP
2011-000002	RA304	R-NETWORK	22ohm, 5%, 63mW, L, CHIP, 8P, TP
2011-000002	RA305	R-NETWORK	22ohm, 5%, 63mW, L, CHIP, 8P, TP
2011-000002	RA306	R-NETWORK	22ohm, 5%, 63mW, L, CHIP, 8P, TP
2011-000002	RA311	R-NETWORK	22ohm, 5%, 63mW, L, CHIP, 8P, TP
2011-000002	RA312	R-NETWORK	22ohm, 5%, 63mW, L, CHIP, 8P, TP
2011-000002	RA313	R-NETWORK	22ohm, 5%, 63mW, L, CHIP, 8P, TP
2011-000002	RA351	R-NETWORK	22ohm, 5%, 63mW, L, CHIP, 8P, TP
2011-000002	RA352	R-NETWORK	22ohm, 5%, 63mW, L, CHIP, 8P, TP
2011-000002	RA353	R-NETWORK	22ohm, 5%, 63mW, L, CHIP, 8P, TP
2011-000002	RA354	R-NETWORK	22ohm, 5%, 63mW, L, CHIP, 8P, TP
2011-000002	RA355	R-NETWORK	22ohm, 5%, 63mW, L, CHIP, 8P, TP
2011-000002	RA356	R-NETWORK	22ohm, 5%, 63mW, L, CHIP, 8P, TP
2011-000515	IC641	R-NETWORK	4.7Kohm, 5%, 1/16W, L, CHIP, 8P, TP
2011-000515	IC642	R-NETWORK	4.7Kohm, 5%, 1/16W, L, CHIP, 8P, TP
2011-000651	IC621	R-NETWORK	10ohm, 5%, 63mW, L, CHIP, 8P, TP
2011-000651	IC622	R-NETWORK	10ohm, 5%, 63mW, L, CHIP, 8P, TP
2011-000651	IC623	R-NETWORK	10ohm, 5%, 63mW, L, CHIP, 8P, TP
2011-000651	IC624	R-NETWORK	10ohm, 5%, 63mW, L, CHIP, 8P, TP
2011-000651	IC625	R-NETWORK	10ohm, 5%, 63mW, L, CHIP, 8P, TP
2011-000651	IC626	R-NETWORK	10ohm, 5%, 63mW, L, CHIP, 8P, TP
2011-000651	IC627	R-NETWORK	10ohm, 5%, 63mW, L, CHIP, 8P, TP
2011-000651	IC628	R-NETWORK	10ohm, 5%, 63mW, L, CHIP, 8P, TP
2011-000651	IC629	R-NETWORK	10ohm, 5%, 63mW, L, CHIP, 8P, TP
2203-000140	C004	C-CERAMIC, CHIP	1.5nF, 10%, 50V, X7R, TP, 1608, -
2203-000140	C008	C-CERAMIC, CHIP	1.5nF, 10%, 50V, X7R, TP, 1608, -
2203-000140	C016	C-CERAMIC, CHIP	1.5nF, 10%, 50V, X7R, TP, 1608, -
2203-000140	C019	C-CERAMIC, CHIP	1.5nF, 10%, 50V, X7R, TP, 1608, -
2203-000140	C038	C-CERAMIC, CHIP	1.5nF, 10%, 50V, X7R, TP, 1608, -











2203-005005	C625	C-CERAMIC,CHIP	100nF, 10%, 16V, X7R, TP, 1608
2203-005005	C626	C-CERAMIC,CHIP	100nF, 10%, 16V, X7R, TP, 1608
2203-005005	C627	C-CERAMIC,CHIP	100nF, 10%, 16V, X7R, TP, 1608
2203-005005	C824	C-CERAMIC,CHIP	100nF, 10%, 16V, X7R, TP, 1608
2203-005005	C873	C-CERAMIC,CHIP	100nF, 10%, 16V, X7R, TP, 1608
2203-005005	C874	C-CERAMIC,CHIP	100nF, 10%, 16V, X7R, TP, 1608
2203-005005	C875	C-CERAMIC,CHIP	100nF, 10%, 16V, X7R, TP, 1608
2203-005015	C501	C-CERAMIC,CHIP	150nF, +80-20%, 16V, Y5V, TP, 1608
2203-005015	C502	C-CERAMIC,CHIP	150nF, +80-20%, 16V, Y5V, TP, 1608
2203-005015	C507	C-CERAMIC,CHIP	150nF, +80-20%, 16V, Y5V, TP, 1608
2203-005015	C508	C-CERAMIC,CHIP	150nF, +80-20%, 16V, Y5V, TP, 1608
2203-005015	C509	C-CERAMIC,CHIP	150nF, +80-20%, 16V, Y5V, TP, 1608
2203-005015	C510	C-CERAMIC,CHIP	150nF, +80-20%, 16V, Y5V, TP, 1608
2203-005015	C511	C-CERAMIC,CHIP	150nF, +80-20%, 16V, Y5V, TP, 1608
2203-005015	C512	C-CERAMIC,CHIP	150nF, +80-20%, 16V, Y5V, TP, 1608
2203-005015	C513	C-CERAMIC,CHIP	150nF, +80-20%, 16V, Y5V, TP, 1608
2203-005015	C514	C-CERAMIC,CHIP	150nF, +80-20%, 16V, Y5V, TP, 1608
2203-005015	C515	C-CERAMIC,CHIP	150nF, +80-20%, 16V, Y5V, TP, 1608
2203-005015	C516	C-CERAMIC,CHIP	150nF, +80-20%, 16V, Y5V, TP, 1608
2203-005015	C517	C-CERAMIC,CHIP	150nF, +80-20%, 16V, Y5V, TP, 1608
2203-005015	C518	C-CERAMIC,CHIP	150nF, +80-20%, 16V, Y5V, TP, 1608
2203-005065	C249	C-CERAMIC,CHIP	1000nF, +80-20%, 10V, Y5V, TP, 1608
2203-005065	C261	C-CERAMIC,CHIP	1000nF, +80-20%, 10V, Y5V, TP, 1608
2203-005065	C264	C-CERAMIC,CHIP	1000nF, +80-20%, 10V, Y5V, TP, 1608
2203-005065	C529	C-CERAMIC,CHIP	1000nF, +80-20%, 10V, Y5V, TP, 1608
2203-005065	C532	C-CERAMIC,CHIP	1000nF, +80-20%, 10V, Y5V, TP, 1608
2203-006017	C221	C-CERAMIC,CHIP	0.56NF, 5%, 50V, COG, TP, 1608
2203-006017	C224	C-CERAMIC,CHIP	0.56NF, 5%, 50V, COG, TP, 1608
2203-006036	C018	C-CERAMIC,CHIP	680NF, +80-20%, 16V, Y5V, TP, 1608
2203-006036	C067	C-CERAMIC,CHIP	680NF, +80-20%, 16V, Y5V, TP, 1608
2203-006036	C068	C-CERAMIC,CHIP	680NF, +80-20%, 16V, Y5V, TP, 1608
2402-000108	C552	C-AL, SMD	10uF, 20%, 16V, WT, TP, 4.3x4.3x5.4
2402-000108	C561	C-AL, SMD	10uF, 20%, 16V, WT, TP, 4.3x4.3x5.4
2402-000135	C092	C-AL, SMD	22uF, 20%, 16V, GP, TP, 5.3x5.3x5.4
2402-000135	C093	C-AL, SMD	22uF, 20%, 16V, GP, TP, 5.3x5.3x5.4
2402-000135	C218	C-AL, SMD	22uF, 20%, 16V, GP, TP, 5.3x5.3x5.4
2402-000135	C223	C-AL, SMD	22uF, 20%, 16V, GP, TP, 5.3x5.3x5.4
2402-000135	C231	C-AL, SMD	22uF, 20%, 16V, GP, TP, 5.3x5.3x5.4
2402-000135	C236	C-AL, SMD	22uF, 20%, 16V, GP, TP, 5.3x5.3x5.4
2402-000135	C250	C-AL, SMD	22uF, 20%, 16V, GP, TP, 5.3x5.3x5.4
2402-000135	C251	C-AL, SMD	22uF, 20%, 16V, GP, TP, 5.3x5.3x5.4
2402-000135	C252	C-AL, SMD	22uF, 20%, 16V, GP, TP, 5.3x5.3x5.4
2402-000135	C254	C-AL, SMD	22uF, 20%, 16V, GP, TP, 5.3x5.3x5.4
2402-000135	C258	C-AL, SMD	22uF, 20%, 16V, GP, TP, 5.3x5.3x5.4
2402-000135	C269	C-AL, SMD	22uF, 20%, 16V, GP, TP, 5.3x5.3x5.4
2402-000135	C284	C-AL, SMD	22uF, 20%, 16V, GP, TP, 5.3x5.3x5.4
2402-000135	C320	C-AL, SMD	22uF, 20%, 16V, GP, TP, 5.3x5.3x5.4
2402-000135	C339	C-AL, SMD	22uF, 20%, 16V, GP, TP, 5.3x5.3x5.4
2402-000135	C382	C-AL, SMD	22uF, 20%, 16V, GP, TP, 5.3x5.3x5.4
2402-000135	C591	C-AL, SMD	22uF, 20%, 16V, GP, TP, 5.3x5.3x5.4
2402-000135	C592	C-AL, SMD	22uF, 20%, 16V, GP, TP, 5.3x5.3x5.4
2402-000135	C593	C-AL, SMD	22uF, 20%, 16V, GP, TP, 5.3x5.3x5.4
2402-000135	C594	C-AL, SMD	22uF, 20%, 16V, GP, TP, 5.3x5.3x5.4
2402-000168	C247	C-AL, SMD	100uF, 20%, 16V, GP, TP, 8.3x8.3x6.3mm
2402-000170	C519	C-AL, SMD	1uF, 20%, 50V, GP, TP, 4.3x4.3x5.4,
2402-000170	C521	C-AL, SMD	1uF, 20%, 50V, GP, TP, 4.3x4.3x5.4,
2402-000170	C531	C-AL, SMD	1uF, 20%, 50V, GP, TP, 4.3x4.3x5.4,
2402-000170	C533	C-AL, SMD	1uF, 20%, 50V, GP, TP, 4.3x4.3x5.4,
2402-000170	C828	C-AL, SMD	1uF, 20%, 50V, GP, TP, 4.3x4.3x5.4,





2402-001042	C598	C-AL,SMD	100uF,20%,16V,GP,TP,6.6x6.6x5.4mm
2402-001042	C604	C-AL,SMD	100uF,20%,16V,GP,TP,6.6x6.6x5.4mm
2402-001042	C621	C-AL,SMD	100uF,20%,16V,GP,TP,6.6x6.6x5.4mm
2402-001042	C809	C-AL,SMD	100uF,20%,16V,GP,TP,6.6x6.6x5.4mm
2402-001042	C812	C-AL,SMD	100uF,20%,16V,GP,TP,6.6x6.6x5.4mm
2402-001042	C822	C-AL,SMD	100uF,20%,16V,GP,TP,6.6x6.6x5.4mm
2402-001042	C841	C-AL,SMD	100uF,20%,16V,GP,TP,6.6x6.6x5.4mm
2402-001042	C843	C-AL,SMD	100uF,20%,16V,GP,TP,6.6x6.6x5.4mm
2402-001042	C861	C-AL,SMD	100uF,20%,16V,GP,TP,6.6x6.6x5.4mm
2402-001042	C889	C-AL,SMD	100uF,20%,16V,GP,TP,6.6x6.6x5.4mm
2402-001042	C903	C-AL,SMD	100uF,20%,16V,GP,TP,6.6x6.6x5.4mm
2402-001042	C904	C-AL,SMD	100uF,20%,16V,GP,TP,6.6x6.6x5.4mm
2402-001042	C906	C-AL,SMD	100uF,20%,16V,GP,TP,6.6x6.6x5.4mm
2402-001042	C907	C-AL,SMD	100uF,20%,16V,GP,TP,6.6x6.6x5.4mm
2402-001042	C911	C-AL,SMD	100uF,20%,16V,GP,TP,6.6x6.6x5.4mm
2402-001086	C872	C-AL,SMD	100UF,20%,16V,WT,TP,6.6X6.6X5.3
2402-001155	C288	C-AL,SMD	47UF,20%,16V,WT,TP,6.3X5.2MM
2402-001155	C329	C-AL,SMD	47UF,20%,16V,WT,TP,6.3X5.2MM
2409-001029	C810	C-ORGANIC	120uF,20%,6.3V,WT,TP,10.3x10.3x10.3mm,9
2409-001029	C813	C-ORGANIC	120uF,20%,6.3V,WT,TP,10.3x10.3x10.3mm,9
2409-001029	C826	C-ORGANIC	120uF,20%,6.3V,WT,TP,10.3x10.3x10.3mm,9
2409-001029	C827	C-ORGANIC	120uF,20%,6.3V,WT,TP,10.3x10.3x10.3mm,9
2409-001029	C865	C-ORGANIC	120uF,20%,6.3V,WT,TP,10.3x10.3x10.3mm,9
2409-001029	C867	C-ORGANIC	120uF,20%,6.3V,WT,TP,10.3x10.3x10.3mm,9
2409-001029	C869	C-ORGANIC	120uF,20%,6.3V,WT,TP,10.3x10.3x10.3mm,9
2409-001029	C890	C-ORGANIC	120uF,20%,6.3V,WT,TP,10.3x10.3x10.3mm,9
2503-001018	IC111	C-NETWORK	15PFX4,10%,50V,-
2503-001018	IC112	C-NETWORK	15PFX4,10%,50V,-
2503-001018	IC113	C-NETWORK	15PFX4,10%,50V,-
2503-001018	IC114	C-NETWORK	15PFX4,10%,50V,-
2503-001018	IC115	C-NETWORK	15PFX4,10%,50V,-
2503-001018	IC116	C-NETWORK	15PFX4,10%,50V,-
2703-000398	L008	INDUCTOR-SMD	10uH,10%,3.2x2.5x2.2mm
2703-000398	L401	INDUCTOR-SMD	10uH,10%,3.2x2.5x2.2mm
2703-000398	L410	INDUCTOR-SMD	10uH,10%,3.2x2.5x2.2mm
2703-000412	L611	INDUCTOR-SMD	8.2uH,5%,3.2x2.5x2.2mm
2703-001334	L411	INDUCTOR-SMD	1.5uH,10%,2x1.25x0.85mm
2703-001334	L412	INDUCTOR-SMD	1.5uH,10%,2x1.25x0.85mm
2703-001778	L004	INDUCTOR-SMD	3.3UH,20%,3.2X2.5X2.2MM
2703-001778	L005	INDUCTOR-SMD	3.3UH,20%,3.2X2.5X2.2MM
2703-001778	L006	INDUCTOR-SMD	3.3UH,20%,3.2X2.5X2.2MM
2703-001778	L007	INDUCTOR-SMD	3.3UH,20%,3.2X2.5X2.2MM
2703-001778	L201	INDUCTOR-SMD	3.3UH,20%,3.2X2.5X2.2MM
2703-001778	L202	INDUCTOR-SMD	3.3UH,20%,3.2X2.5X2.2MM
2703-001778	L203	INDUCTOR-SMD	3.3UH,20%,3.2X2.5X2.2MM
2703-001778	L204	INDUCTOR-SMD	3.3UH,20%,3.2X2.5X2.2MM
2703-001778	L206	INDUCTOR-SMD	3.3UH,20%,3.2X2.5X2.2MM
2703-001778	L207	INDUCTOR-SMD	3.3UH,20%,3.2X2.5X2.2MM
2703-001778	L208	INDUCTOR-SMD	3.3UH,20%,3.2X2.5X2.2MM
2703-001778	L209	INDUCTOR-SMD	3.3UH,20%,3.2X2.5X2.2MM
2703-001778	L555	INDUCTOR-SMD	3.3UH,20%,3.2X2.5X2.2MM
2703-001778	L612	INDUCTOR-SMD	3.3UH,20%,3.2X2.5X2.2MM
2703-001778	L613	INDUCTOR-SMD	3.3UH,20%,3.2X2.5X2.2MM
2703-001778	L921	INDUCTOR-SMD	3.3UH,20%,3.2X2.5X2.2MM
2703-002327	L540	INDUCTOR-SMD	3.9UH,55,3.2X2.5X2.2MM
2703-002327	L541	INDUCTOR-SMD	3.9UH,55,3.2X2.5X2.2MM
2801-003667	X201	CRYSTAL-SMD	14.318MHZ,50PPM,28-AAN,16pF,50ohm,TP
2801-003843	X511	CRYSTAL-SMD	18.432MHz,30ppm,28-AAN,20pF,50ohm,TP
2801-004004	X401	CRYSTAL-SMD	20.25MHz,20ppm,28-AAN,13pF,25ohm,TP

2801-004117	X601	CRYSTAL-SMD	6MHZ, 30PPM, 28-ABX, 20PF, 1500HM, TP	
2901-001114	FT101	FILTER-EMI SMD	25VDC, 2.0ADC, -, 100nF, 3.2x1.6x1	
2901-001114	FT281	FILTER-EMI SMD	25VDC, 2.0ADC, -, 100nF, 3.2x1.6x1	
2901-001114	FT901	FILTER-EMI SMD	25VDC, 2.0ADC, -, 100nF, 3.2x1.6x1	
2901-001114	FT902	FILTER-EMI SMD	25VDC, 2.0ADC, -, 100nF, 3.2x1.6x1	
2901-001114	FT903	FILTER-EMI SMD	25VDC, 2.0ADC, -, 100nF, 3.2x1.6x1	
2901-001114	FT904	FILTER-EMI SMD	25VDC, 2.0ADC, -, 100nF, 3.2x1.6x1	
2901-001114	FT923	FILTER-EMI SMD	25VDC, 2.0ADC, -, 100nF, 3.2x1.6x1	
2901-001114	R293	FILTER-EMI SMD	25VDC, 2.0ADC, -, 100nF, 3.2x1.6x1	
3301-001145	FT211	CORE-FERRITE BEAD	AB, 4.5x1.6x1.6mm, -, -	SNA
3301-001145	FT303	CORE-FERRITE BEAD	AB, 4.5x1.6x1.6mm, -, -	SNA
3301-001145	FT304	CORE-FERRITE BEAD	AB, 4.5x1.6x1.6mm, -, -	SNA
3301-001145	FT811	CORE-FERRITE BEAD	AB, 4.5x1.6x1.6mm, -, -	SNA
3301-001145	FT814	CORE-FERRITE BEAD	AB, 4.5x1.6x1.6mm, -, -	SNA
3301-001145	FT815	CORE-FERRITE BEAD	AB, 4.5x1.6x1.6mm, -, -	SNA
3301-001145	FT816	CORE-FERRITE BEAD	AB, 4.5x1.6x1.6mm, -, -	SNA
3301-001145	FT817	CORE-FERRITE BEAD	AB, 4.5x1.6x1.6mm, -, -	SNA
3301-001145	FT818	CORE-FERRITE BEAD	AB, 4.5x1.6x1.6mm, -, -	SNA
3301-001145	FT822	CORE-FERRITE BEAD	AB, 4.5x1.6x1.6mm, -, -	SNA
3301-001145	FT824	CORE-FERRITE BEAD	AB, 4.5x1.6x1.6mm, -, -	SNA
3301-001145	FT825	CORE-FERRITE BEAD	AB, 4.5x1.6x1.6mm, -, -	SNA
3301-001145	FT851	CORE-FERRITE BEAD	AB, 4.5x1.6x1.6mm, -, -	SNA
3301-001145	FT852	CORE-FERRITE BEAD	AB, 4.5x1.6x1.6mm, -, -	SNA
3301-001145	FT920	CORE-FERRITE BEAD	AB, 4.5x1.6x1.6mm, -, -	SNA
3301-001145	FT921	CORE-FERRITE BEAD	AB, 4.5x1.6x1.6mm, -, -	SNA
3301-001145	L100	CORE-FERRITE BEAD	AB, 4.5x1.6x1.6mm, -, -	SNA
3704-000249	IC620_SOCKET	SOCKET-IC	32P, PLCC, SN, 1.27mm	
3711-000556	CN702_1	CONNECTOR-HEADER	BOX, 12P, 1R, 1.25mm, SMD-A, SN	SNA
3711-002046	CN920	CONNECTOR-HEADER	3WALL, 12P, 1R, 1.25mm, SMD-S, SN	SNA
3711-002049	CN701_1	CONNECTOR-HEADER	BOX, 6P, 1R, 1.25mm, SMD-A, SN	SNA
3711-003161	CN901	CONNECTOR-HEADER	BOX, 20P, 1R, 1.25mm, ANGLE, SN	
BN27-00007A	L501	COIL CHOKE-SMD	DHB0504-100, RB15/17NS, 10UH, ±10%, -, 0.080HM, 1.5A, DR5.8X4.5, 20.5TS, 6.0X5.2X4.5MM, -	
BN27-00007A	L502	COIL CHOKE-SMD	DHB0504-100, RB15/17NS, 10UH, ±10%, -, 0.080HM, 1.5A, DR5.8X4.5, 20.5TS, 6.0X5.2X4.5MM, -	
BN27-00007A	L503	COIL CHOKE-SMD	DHB0504-100, RB15/17NS, 10UH, ±10%, -, 0.080HM, 1.5A, DR5.8X4.5, 20.5TS, 6.0X5.2X4.5MM, -	
BN27-00007A	L504	COIL CHOKE-SMD	DHB0504-100, RB15/17NS, 10UH, ±10%, -, 0.080HM, 1.5A, DR5.8X4.5, 20.5TS, 6.0X5.2X4.5MM, -	
BN27-00009A	L806	COIL CHOKE	SMD 12X12X6, EOS, 33UH, 15%, -, 0.12 MAX, 2A, DR10X5.0MM, 18.5TS, 12X12X6, 1.8MM, 1UEW 0.	
BN27-00010A	L805	COIL CHOKE	-, NK17NS, 100UH, 10%, -, 0.7 MAX, 6A, DR5.8X4.5MM, 59.5TS, 6.0X5.2X4.5MM, 1.8MM, 1UEW 0.	
BN27-00010A	L830	COIL CHOKE	-, NK17NS, 100UH, 10%, -, 0.7 MAX, 6A, DR5.8X4.5MM, 59.5TS, 6.0X5.2X4.5MM, 1.8MM, 1UEW 0.	
BN27-20001A	L807	COIL-CHOKE	-, 53.0UH, 20%, DR10*5, -, -, -, 0.18ohm, -, -, -, TRAY	
BN41-00139A	MP1.0	PCB MAIN	NK17AS, FR4, 6L, -, -, 280X140X1.6, NK17AS, -, -, -	SNA
BN91-00348H	-	ASSY SHIELD	NK17AS	SNA
0203-001160	CIS	TAPE-FILAMENT	SCOTCH#8915, T0.16, W48, L55M, TRP	SNA
6001-000154	STD+C/R	SCREW-MACHINE	BH, +, M4, L8, NI PLT, SWRCH18A, FP, -	
6003-000276	C/F+AUD/PCB	SCREW-TAPTITE	BH, +, B, M3, L10, ZPC(YEL), SWCH10	SNA
6003-000276	C/F+B/GUIDE	SCREW-TAPTITE	BH, +, B, M3, L10, ZPC(YEL), SWCH10	SNA
6003-000276	C/F+SH/PCB	SCREW-TAPTITE	BH, +, B, M3, L10, ZPC(YEL), SWCH10	SNA
6003-000276	GND_WIRE+SH/PCB	SCREW-TAPTITE	BH, +, B, M3, L10, ZPC(YEL), SWCH10	SNA
6502-001019	SH/PCB	CABLE CLAMP	DAMC-10, ID9.9, T7.1, NYLON6.6, GRAY	SNA
BN39-00080A	CIS	CABLE RCA-HARNESS	NK17NS, UL2835#28, UL/CSA, 20P, -, -, #28, 12507HS-20, 12507HS-20, BK, -, -, 130MM, 2835#28, S	
BN39-00248A	CIS	LEAD CONNECTOR-ASSY	NK17AS, UL2835#28, UL/CSA, 12P, #28, SMH200-12, 12505HS-12, BK, 230MM, 2835#28, SJ02-01-00	
BN59-00215B	CIS	BOARD-AV JACK ASSY	NK17AS, AV-JACK BOARD ASS'Y	
BN63-00109A	CIS	GASKET	4312FA, CONDUCTIVE FABRIC, 5MM, 17MM, 100MM, GRAY, 71TSSK17-5-100-13, 71TSSK17-5-100-1	SNA
BN63-00222A	CIS	GASKET	NK17AS, CONDUCTIVE FABRIC, 10MM, 17MM, 35MM, GRAY, 71TSSK 17-10-35-13, 71TSSK 17-10-35-	SNA
BN63-00258A	CIS	GASKET	NK17KS, CONDUCTIVE-FABRIC, 3MM, 20MM, 405MM, GRAY, 71TSSK 20-3-405-13, 71TSSK 20-3-405-	SNA
BN70-00192A	CIS	BRACKET-SUPPORT	RB15AS, SECC, 0.8	SNA
BN91-00567J	-	ASSY LCD	NK17, S4	SNA
BN07-00112A	CIS	LCD	LTM170W1-L01, LSA, 8BIT, 404*258*16	
BN92-00322A	-	ASSY BOX	NK17AS, -, -, -	SNA
BH75-10529C	CIS	UNIT-HANDLE/PACKING	S/M170MP, PE-LD, PE-HD, -, WHITE, -	

BN72-60001A	CIS	LEVER TOP	LSD210TL, PE-LD, WHITE, TFT_LCD	SNA
BN72-60002C	CIS	LEVER BOTTOM	S/M170MP, PE-HD, BLUE	SNA
BN68-00135A	CIS	LABEL BAR CODE	- , ALL, MPR11, DOM, ART-PAPER 90G, - , WHT, BLACK, - , - , -	SNA
BN69-00276B	CIS	BOX	LW17N13W, GUJU, CB-SW4, YEL, A-1, - , - , - , L597*W453*H245, -	SNA
BN92-00346J	-	ASSY P/MATERIAL	NK17AS	SNA
0203-001100	CIS	TAPE-OPP MASKING	OPP/W75/CLR, TO.05, W75, L800000, CLR	SNA
BH69-00457A	CIS	PACKING-PAD	GH17, FOAM, T3.0, 1180, 1130	SNA
BH69-30355E	CIS	BAG-PE/N	NK15, PE FOAM, 0.5, 650, 650, NTR	SNA
BH69-40318A	CIS	PACKING-PALLET	, WOODEN, W934, L1220, H120	SNA
BH69-40321J	CIS	PACKING-PAD EDGE	PN15VT, B400, - , - , W140, L1154, - , - , - , SKD	SNA
BH69-40379A	CIS	PACKING-WRAP	LDPE, W500*TO.02, - , -	SNA
BN68-00129A	CIS	LABEL SHIPPING	- , LABEL SHIPPING, ART-PAPER, 100G, - , WHT, BLACK, - , - , -	SNA
BN69-00140T	CIS	PAD-PALLET COVER	SUN(LSA810), SW, 900, 3760, - , - , - , -	SNA
BN69-00248A	CIS	CUSHION-L/R	NIKE 17", EPS, - , - , 50M, - , - , - , -	SNA
BN92-00416Y	-	ASSY ACCESSORY	GH18PSAN/EDC, EDC, NETHERLANDS, 10LANG. (CD)	SNA
BN44-00063A	CIS	ADAPTOR	AD-4914N, EOS17, 100-240VAC, 47 - 63 HZ, +14VDC, 3.5A, - , 49W, - , 0 TO +40 C, 120*63*31, SA	
BN96-00050Y	CIS	ASSY ACCESSORY	GG15LS	SNA
0203-000214	CIS	TAPE-OPP MASKING	OPP/W50/CLR, TO.05, W50, L400000,	SNA
4301-000121	CIS	BATTERY-MN	1.5V, - , AAA, 10.5x44.5m, HOLDER	SNA
6801-001009	CIS	CARD-WARRANTY	EUROPE (12) , 8	SNA
6801-001014	CIS	CARD-REGISTRATION	XEU, ENG, MOJO100, L150, W392, - , -	SNA
6801-001015	CIS	CARD-REGISTRATION	XEG, GERMAN, MOJO100, L150, W392, - , -	SNA
6801-001016	CIS	CARD-REGISTRATION	XEF, FRENCH, MOJO100, L150, W392, - , -	SNA
6801-001017	CIS	CARD-REGISTRATION	XEC, SPANISH, MOJO100, L150, W392, - , -	SNA
6801-001019	CIS	CARD-REGISTRATION	XEN, DUTCH, MOJO100, L150, W392, - , -	SNA
6801-001020	CIS	CARD-REGISTRATION	XEP, PORTUGAL, MOJO100, L150, W392, - , -	SNA
BH39-10339H	CIS	CBF POWER CORD	DET, H05VV-F, 250V/10, 16A, BLK, 25	
BH39-40355W	CIS	CBF-HARNESS	- , 2000MM, IVORY, - , - , -	
BH69-30348D	CIS	BAG-PE	LDPE, TO.05, W240*L356, Y, - , CMG73	SNA
BN39-00043A	CIS	CBF SIGNAL	DETACHABLE, - , 15P/15P, - , - , -	
BN59-00225A	CIS	REMOCON	- , TM71, NIKE, 41, GR20, BLUE, PAL, - , - , - , -	
BN68-00248B	CIS	MANUAL USERS-03	LT15N13W, LT17N13W, SAMSUNG, E/F/S/G/P/I/SW, EDC, MIMOJO80G, 148, 210	
BN92-00619H	-	ASSY LABEL	LW17N13WX/XEC	SNA
AA68-50502A	CIS	LABEL-CONFORMATION	W/P100(G), CTV, ITALY, 170x110, BL	SNA
BN68-00243B	CIS	LABEL RATING	NK17AS, EDC, PE, TO.05, 90, 45, SYNC, - , PE NATURE, - , -	SNA
SZ-LW17N13WX/XEC	-	1	SEC, W1-L01	-
BN90-00217A	-	ASSY STAND	NK17NS	SNA
BN96-00204A	STD	ASSY STAND P	EOS/NIKE17", SILVER SPRAY	SNA
6003-000009	STD	SCREW-TAPTITE	BH, +, B, M4, L16, ZPC(YEL), SWRCH18	SNA
6003-001010	STD	SCREW-TAPTITE	FH, +, B, M3, L6, ZPC(YEL), SWRCH18A	
6003-001315	STD	SCREW-TAPTITE	BH, +, B, M4, L20, ZPC(YEL), SWRCH18A	SNA
BH73-60339A	STD	RUBBER-LEG	SLC1400, EVA, GRAY, 65HB, DIA13*H2	SNA
BN61-00184A	STD	STAND-BASE	ES15AS, ABS PC, GR40, SV-012P	SNA
BN61-00266A	STD	FRAME-STAND BASE	EOS / NIKE, EGI T1.2	
BN72-00254A	STD	STAND-COVER REAR	EOS 15, ABS, HB, IV16, SPRAY	SNA
BN72-00257A	STD	STAND FRONT	EOS 15, ABS, HB, 16, SPRAY	SNA
BN75-00211A	STD	UNIT-HINGE	EOS15, - , SECC T2.0, - , - , - , -	SNA
BN90-00247G	-	ASSY COVER REAR	NK17AS	SNA
BN90-00263B	CIS	ASSY REAR	NK17AS(PAL), ABS HB, SV-012P, SPRAY	
BN63-00102A	CIS	COVER-REAR	NIKE 17", ABS, - , - , - , HB, - , IV16, NONE, 1.5	SNA
BN70-00176A	CIS	BRACKET VESA	RB15AS, SECC, 1	SNA
BN90-00303J	-	ASSY COVER FRONT	NK17AS	SNA
6003-001319	C/F+C/R	SCREW-TAPTITE	BH, +, B, M3, L10, NI PLT, SWRCH18A, -	SNA
BN90-00021B	CIS	ASSY COVER FRONT	NK17AS(PAL), - , ABS, HB, - , BL-903P, - , - , SPRAY	
6003-000259	CIS	SCREW-TAPTITE	BH, +, B, M3, L8, ZPC(YEL), SWRCH18A	SNA
6003-000276	CIS	SCREW-TAPTITE	BH, +, B, M3, L10, ZPC(YEL), SWCH10	SNA
BN59-00233A	CIS	BOARD-FUNCTION	NK17NS, - , - , FUNCTION PCB, -	SNA
BN59-00234A	CIS	BOARD-IR PCB	NK17NS, - , - , IR PCB, - , - , -	SNA
BN59-00263A	CIS	SPEAKER SYSTEM	EOS/NIKE17, EOS/NIKE17-L, 100X42, WIRE:240MM	SNA

BN59-00274A	CIS	SPEAKER SYSTEM	NIKE17,NIKE17-R,100X42,WIRE:630MM	SNA
BN63-00039A	CIS	GASKET-EMI	CN18ASE,-,0.3MM,7MM,380MM,-,-,-	SNA
BN63-00101A	CIS	COVER-FRONT	NIKE17",ABS,-,-,-,HB,-,IV16,NONE,1.5	SNA
BN64-00031A	CIS	BADGE-BRAND	RB15AS,AL,T1.4,6.3,40.1,-,SILIVER,-	SNA
BN64-00048A	CIS	KNOB-FUNCTION	NIKE 17",ABS,-,-,-,HB,IV16,-,SPRAY	SNA
BN67-00020A	CIS	LENS-LED	EOS15,ACRYL,CLEAR,-,-,-,-	
BN91-00234A	-	ASSY LCD	NK17NS	SNA
BN07-00047A	CIS	LCD	LTM170W1-L01,LSA,8BIT,404*258*16.2,16.7M,30,-,-,-,AMLCD/2 LVDS,-	
BN91-00247A	-	ASSY CHASSIS	NK17AS	
BN94-00270A	-	ASSY PCB MAIN	NK17AS	SNA
0201-001223	CIS	ADHESIVE-TS	HT-130S,RED,700+/- 50,-	SNA
0202-001044	CIS	SOLDER-WIRE.	S63S-W3.0,S63S,D3,63Sn/37Pb,-	SNA
0202-001046	CIS	SOLDER-WIRE FLUX	CF-110VH-2A,-,-,-,-	SNA
0202-001222	CIS	SOLDER-WIRE FLUX	RS-107,RS60-1.2AA,D1.2,SN60/PB40,-	SNA
0204-001095	CIS	THINNER	#4520,-,-,-	SNA
0402-000208	CIS	DIODE-RECTIFIER	EK-04,40V,1.5A,DO-41	
2004-000970	CIS	R-METAL	470ohm,1%,1/4W,AA,TP,2.4x6.4mm	
2401-000010	C845	C-AL	220uF,20%,16V,GP,-,6.3x11mm,2.	
2401-000010	C851	C-AL	220uF,20%,16V,GP,-,6.3x11mm,2.	
2401-000010	C857	C-AL	220uF,20%,16V,GP,-,6.3x11mm,2.	
2401-001363	C971	C-AL	470uF,20%,16V,GP,TP,10x12.5,5	
2401-001363	C981	C-AL	470uF,20%,16V,GP,TP,10x12.5,5	
2401-003224	C876	C-AL	470uF,20%,16V,WT,TP,8X11.5,5mm	
2409-001044	C847	C-ORGANIC	100UF,+20%,16V,WT,TP,8X10.5,5	
2701-000146	L151	INDUCTOR-AXIAL	2.2uH,10%,2.5x3.4mm	
2701-000146	L152	INDUCTOR-AXIAL	2.2uH,10%,2.5x3.4mm	
2701-000146	L804	INDUCTOR-AXIAL	2.2uH,10%,2.5x3.4mm	
3701-001219	CN401	CONNECTOR-DSUB	15P,3R,FEMALE,ANGLE,AUF	
3711-000057	CN706_1	CONNECTOR-HEADER	BOX,3P,1R,2.5mm,ANGLE,SN	SNA
3711-000654	CNJIG	CONNECTOR-HEADER	BOX,12P,1R,2.5mm,STRAIGHT,SN	
3711-004270	CN501	CONNECTOR-HEADER	BOX,2P,1R,2MM,ANGLE,SN	SNA
3711-004386	CN502	CONNECTOR-HEADER	BOX,3P,1R,2mm,ANGLE,SN	SNA
3722-000110	CN810	JACK-DC POWER	1P,-,NI,BLACK,-	
3722-000117	CN801	JACK-DC POWER	3P,3.5MM,AG,BLK,NO	SNA
3722-001055	CN403	JACK-PHONE	5P/2C,3.6PI,AG,BLK,#16-22	
3722-001806	CN001	JACK-SCART	21P,-,SNPB,BLK,-	
3722-001806	CN002	JACK-SCART	21P,-,SNPB,BLK,-	
6003-000117	IN/PCB+SH/PCB	SCREW-TAPTITE	BH,+,B,M3,L6,ZPC(YEL),SWRCH18A	SNA
6003-000117	M/PCB+SH/PCB	SCREW-TAPTITE	BH,+,B,M3,L6,ZPC(YEL),SWRCH18A	SNA
6003-000117	SH/D_SUB+SH/PCB	SCREW-TAPTITE	BH,+,B,M3,L6,ZPC(YEL),SWRCH18A	SNA
AA39-00046A	CIS	LEAD CONNECTOR-ASSY	,1P,JUMPER,BLK,60MM,1007#22	
BN39-00002A	CIS	CBF-HARNESS	-,60,BLU/WHT,-,26,-	
BN39-00247B	CIS	LEAD CONNECTOR-ASSY	NK17AS,UL2835#28,UL/CSA,6P,#28,12505HS-06,12505HS-06,BK,180MM,2835#28,SJ02-01-00	
BN40-00005A	CN888	RF MODULATOR-PAL	TCPQ9091PD27D,PAL,-,-,-,5V,-10TO+65C,50DB,55DB	
BN44-00041A	CIS	INVERTER	ML17,SIC1803,48KHz,14VDC,1.5mA rms,7.2mA rms,48KHz,160*45*17,4LAMP,48KHz,-,-	
BN83-00065A	CIS	CKD-BN44-00056A	BN44-00056A,1203-000560	SNA
BN83-00066A	CIS	CKD-BN44-00056A	BN44-00056A,1201-000471	SNA
BN83-00067A	CIS	CKD-BN44-00056A	BN44-00056A,1202-000104	SNA
BN83-00068A	CIS	CKD-BN44-00056A	BN44-00056A,0504-000158	SNA
BN83-00069A	CIS	CKD-BN44-00056A	BN44-00056A,0501-000457	SNA
BN83-00070A	CIS	CKD-BN44-00056A	BN44-00056A,0504-000129	SNA
BN83-00071A	CIS	CKD-BN44-00056A	BN44-00056A,0501-000462	SNA
BN83-00074A	CIS	CKD-BN44-00056A	BN44-00056A,0407-000114	SNA
BN83-00076A	CIS	CKD-BN44-00056A	BN44-00056A,0407-000122	SNA
BN83-00081A	CIS	CKD-BN44-00056A	BN44-00056A,2203-000206	SNA
BN83-00082A	CIS	CKD-BN44-00056A	BN44-00056A,2203-001458	SNA
BN83-00083A	CIS	CKD-BN44-00056A	BN44-00056A,2203-000455	SNA
BN83-00084A	CIS	CKD-BN44-00056A	BN44-00056A,2203-000590	SNA
BN83-00085A	CIS	CKD-BN44-00056A	BN44-00056A,2203-001130	SNA

BN83-00086A	CIS	CKD-BN44-00056A	BN44-00056A, 2203-002793	SNA
BN83-00092A	CIS	CKD-BN44-00056A	BN44-00056A, 2007-000872	SNA
BN83-00106A	CIS	CKD-BN44-00056A	BN44-00056A, 2104-000224	SNA
BN83-00108A	CIS	CKD-BN44-00056A	BN44-00056A, 3601-001038	SNA
BN83-00110A	CIS	CKD-BN44-00056A	BN44-00056A, 3711-000556	SNA
BN83-00111A	CIS	CKD-BN44-00056A	BN44-00056A, 3711-004702	SNA
BN83-00264A	CIS	CKD-0402-000554	INVERTER	
BN83-00265A	CIS	CKD-0501-002218	INVERTER	
BN83-00266A	CIS	CKD-0505-001220	INVERTER	
BN83-00267A	CIS	CKD-0505-001348	INVERTER	
BN83-00268A	CIS	CKD-2007-000003	INVERTER	
BN83-00269A	CIS	CKD-2007-000029	INVERTER	
BN83-00270A	CIS	CKD-2007-000221	INVERTER	
BN83-00271A	CIS	CKD-2007-000282	INVERTER	
BN83-00272A	CIS	CKD-2007-000300	INVERTER	
BN83-00273A	CIS	CKD-2007-000534	INVERTER	
BN83-00274A	CIS	CKD-2007-000546	INVERTER	
BN83-00275A	CIS	CKD-2007-000615	INVERTER	
BN83-00276A	CIS	CKD-2007-000689	INVERTER	
BN83-00277A	CIS	CKD-2007-000703	INVERTER	
BN83-00278A	CIS	CKD-2007-000793	INVERTER	
BN83-00279A	CIS	CKD-2007-000830	INVERTER	
BN83-00280A	CIS	CKD-2007-000844	INVERTER	
BN83-00281A	CIS	CKD-2007-000941	INVERTER	
BN83-00282A	CIS	CKD-2007-001039	INVERTER	
BN83-00283A	CIS	CKD-2007-001113	INVERTER	
BN83-00284A	CIS	CKD-2007-001241	INVERTER	
BN83-00285A	CIS	CKD-2007-001710	INVERTER	
BN83-00286A	CIS	CKD-2007-002529	INVERTER	
BN83-00287A	CIS	CKD-2201-002115	INVERTER	
BN83-00288A	CIS	CKD-2203-002494	INVERTER	
BN83-00289A	CIS	CKD-2301-001359	INVERTER	
BN83-00291A	CIS	CKD-2401-003549	INVERTER	
BN83-00293A	CIS	CKD-LH26-00135A	INVERTER	
BN83-00295A	CIS	CKD-LH26-00136A	INVERTER	
BN83-00297A	CIS	CKD-LH27-00145A	INVERTER	
BN83-00299A	CIS	CKD-LH41-00227A	INVERTER	
BN83-00300A	CIS	CKD-LH72-00173A	INVERTER	
BN83-00301A	CIS	CKD-LH93-05016Z	INVERTER	
BN83-00302A	CIS	CKD-LH93-10009P	INVERTER	
BN83-00303A	CIS	CKD-LH93-20016M	INVERTER	
BN62-00003A	HS200	HEAT SINK-IC	NK, SUN, A6063S, T2.5, W28, L28, -, BH62, -	SNA
BN62-00003A	HS300	HEAT SINK-IC	NK, SUN, A6063S, T2.5, W28, L28, -, BH62, -	SNA
BN75-00237A	CIS	UNIT-SHIELD PCB	NIKE 17", -, SECC, TO.8, -, -, -, -	SNA
BN90-00046B	CIS	ASSY SHIELD-D-SUB	NK15AS(PAL), -, SPTE, TO.5, -, -, -, -	SNA
BN96-00048A	CIS	ASSY MISC P-SHIELD COVER	NK15NS, NK17NS	SNA
BN39-00254A	CIS	LEAD CONNECTOR-ASSY	NK15AS, UL1015#18, UL/CSA, 1P, BLK, #18, 35750-1010, 35798-9810, BK, 100MM, 1015#18, SJ02-0	
BN63-00163A	CIS	GASKET	GH17PSS, CONDUCTIVE FABRIC, 8MM, 60MM, 90MM, GRAY, 71TSSK 60-8-90-13, 71TSSK 60-8-90-13	SNA
BN63-00206A	CIS	SHIELD-COVER	NK15NS, SPTE, TO.3	SNA
BN97-00065B	-	ASSY MICOM	NK17AS, -, -, -, -, -, -, -	
1102-001129	IC620	IC-EPROM	M27W401, 512KX8BIT, PLCC, 32P, 11.35X13.89MM, 80NS, 3.3V, 10%, PLASTIC, -40TO+85C, -, CMOS,	
BN46-00010B	CIS	S/W MICOM	NK17AS, -, -, -, -, -, -	SNA
BN97-00069A	-	ASSY SMD-MAIN	NK17AS	SNA
0202-001162	CIS	SOLDER-CREAM	RMA-20-21L, S63, -, SN63/PB36.6/AGO.4, FLUX9.5%	SNA
0401-001056	D406	DIODE-SWITCHING	MMBD4148SE, 75V, 200MA, SOT-23, TP	
0401-001056	D407	DIODE-SWITCHING	MMBD4148SE, 75V, 200MA, SOT-23, TP	
0401-001056	D408	DIODE-SWITCHING	MMBD4148SE, 75V, 200MA, SOT-23, TP	
0401-001056	D501	DIODE-SWITCHING	MMBD4148SE, 75V, 200MA, SOT-23, TP	
0401-001056	D681	DIODE-SWITCHING	MMBD4148SE, 75V, 200MA, SOT-23, TP	

0401-001056	D804	DIODE-SWITCHING	MMBD4148SE, 75V, 200MA, SOT-23, TP
0402-000553	D802	DIODE-RECTIFIER	SS24, 40V, 2.0A, DO-214AA
0402-001098	D803	DIODE-RECTIFIER	SK34, 40V, 3A, SMC, TP
0403-000579	D401	DIODE-ZENER	BZX84C5V1, 5.1V, 5%, 200mW, SOT-23
0403-000579	D402	DIODE-ZENER	BZX84C5V1, 5.1V, 5%, 200mW, SOT-23
0403-000579	D403	DIODE-ZENER	BZX84C5V1, 5.1V, 5%, 200mW, SOT-23
0403-000579	D404	DIODE-ZENER	BZX84C5V1, 5.1V, 5%, 200mW, SOT-23
0403-000579	D601	DIODE-ZENER	BZX84C5V1, 5.1V, 5%, 200mW, SOT-23
0403-000579	D602	DIODE-ZENER	BZX84C5V1, 5.1V, 5%, 200mW, SOT-23
0403-000579	D604	DIODE-ZENER	BZX84C5V1, 5.1V, 5%, 200mW, SOT-23
0403-001048	D001	DIODE-ZENER	BZX84C16, 16V, 15.3-17.1V, 225mW,
0403-001048	D010	DIODE-ZENER	BZX84C16, 16V, 15.3-17.1V, 225mW,
0403-001052	D002	DIODE-ZENER	RD8.2MB, 8.2V, 7.7-8.64V, 200mW, S
0403-001052	D003	DIODE-ZENER	RD8.2MB, 8.2V, 7.7-8.64V, 200mW, S
0403-001052	D004	DIODE-ZENER	RD8.2MB, 8.2V, 7.7-8.64V, 200mW, S
0403-001052	D005	DIODE-ZENER	RD8.2MB, 8.2V, 7.7-8.64V, 200mW, S
0403-001052	D006	DIODE-ZENER	RD8.2MB, 8.2V, 7.7-8.64V, 200mW, S
0403-001052	D007	DIODE-ZENER	RD8.2MB, 8.2V, 7.7-8.64V, 200mW, S
0403-001052	D008	DIODE-ZENER	RD8.2MB, 8.2V, 7.7-8.64V, 200mW, S
0403-001052	D009	DIODE-ZENER	RD8.2MB, 8.2V, 7.7-8.64V, 200mW, S
0403-001052	D011	DIODE-ZENER	RD8.2MB, 8.2V, 7.7-8.64V, 200mW, S
0403-001052	D012	DIODE-ZENER	RD8.2MB, 8.2V, 7.7-8.64V, 200mW, S
0403-001052	D013	DIODE-ZENER	RD8.2MB, 8.2V, 7.7-8.64V, 200mW, S
0403-001052	D014	DIODE-ZENER	RD8.2MB, 8.2V, 7.7-8.64V, 200mW, S
0403-001052	D015	DIODE-ZENER	RD8.2MB, 8.2V, 7.7-8.64V, 200mW, S
0403-001052	D016	DIODE-ZENER	RD8.2MB, 8.2V, 7.7-8.64V, 200mW, S
0403-001052	D017	DIODE-ZENER	RD8.2MB, 8.2V, 7.7-8.64V, 200mW, S
0403-001052	D018	DIODE-ZENER	RD8.2MB, 8.2V, 7.7-8.64V, 200mW, S
0403-001052	D019	DIODE-ZENER	RD8.2MB, 8.2V, 7.7-8.64V, 200mW, S
0403-001052	D020	DIODE-ZENER	RD8.2MB, 8.2V, 7.7-8.64V, 200mW, S
0403-001052	D021	DIODE-ZENER	RD8.2MB, 8.2V, 7.7-8.64V, 200mW, S
0403-001052	D022	DIODE-ZENER	RD8.2MB, 8.2V, 7.7-8.64V, 200mW, S
0403-001052	D023	DIODE-ZENER	RD8.2MB, 8.2V, 7.7-8.64V, 200mW, S
0403-001052	D024	DIODE-ZENER	RD8.2MB, 8.2V, 7.7-8.64V, 200mW, S
0403-001052	D025	DIODE-ZENER	RD8.2MB, 8.2V, 7.7-8.64V, 200mW, S
0403-001052	D026	DIODE-ZENER	RD8.2MB, 8.2V, 7.7-8.64V, 200mW, S
0403-001052	D101	DIODE-ZENER	RD8.2MB, 8.2V, 7.7-8.64V, 200mW, S
0403-001052	D102	DIODE-ZENER	RD8.2MB, 8.2V, 7.7-8.64V, 200mW, S
0403-001052	D103	DIODE-ZENER	RD8.2MB, 8.2V, 7.7-8.64V, 200mW, S
0403-001052	D104	DIODE-ZENER	RD8.2MB, 8.2V, 7.7-8.64V, 200mW, S
0403-001052	D116	DIODE-ZENER	RD8.2MB, 8.2V, 7.7-8.64V, 200mW, S
0403-001052	D117	DIODE-ZENER	RD8.2MB, 8.2V, 7.7-8.64V, 200mW, S
0403-001052	D118	DIODE-ZENER	RD8.2MB, 8.2V, 7.7-8.64V, 200mW, S
0403-001052	D119	DIODE-ZENER	RD8.2MB, 8.2V, 7.7-8.64V, 200mW, S
0403-001052	D120	DIODE-ZENER	RD8.2MB, 8.2V, 7.7-8.64V, 200mW, S
0403-001052	D121	DIODE-ZENER	RD8.2MB, 8.2V, 7.7-8.64V, 200mW, S
0403-001052	D122	DIODE-ZENER	RD8.2MB, 8.2V, 7.7-8.64V, 200mW, S
0403-001052	D543	DIODE-ZENER	RD8.2MB, 8.2V, 7.7-8.64V, 200mW, S
0403-001052	D545	DIODE-ZENER	RD8.2MB, 8.2V, 7.7-8.64V, 200mW, S
0403-001052	D570	DIODE-ZENER	RD8.2MB, 8.2V, 7.7-8.64V, 200mW, S
0403-001052	D571	DIODE-ZENER	RD8.2MB, 8.2V, 7.7-8.64V, 200mW, S
0403-001435	D502	DIODE-ZENER	QZX363C5V6, 5.32-5.88, 200mW, SOT-363, TP
0404-001166	D801	DIODE-SCHOTTKY	MBRM130LT3, 30V, 1000MA, DO-216AA, TP
0404-001166	D880	DIODE-SCHOTTKY	MBRM130LT3, 30V, 1000MA, DO-216AA, TP
0407-000123	D405	DIODE-ARRAY	DAN202K, 80V, 100MA, CA2-3, SOT-23, TP
0501-000342	Q020	TR-SMALL SIGNAL	KSC1623-Y, NPN, 200mW, SOT-23, TP, 135-270
0501-000342	Q201	TR-SMALL SIGNAL	KSC1623-Y, NPN, 200mW, SOT-23, TP, 135-270
0501-000342	Q501	TR-SMALL SIGNAL	KSC1623-Y, NPN, 200mW, SOT-23, TP, 135-270
0501-000342	Q555	TR-SMALL SIGNAL	KSC1623-Y, NPN, 200mW, SOT-23, TP, 135-270

0501-000342	Q601	TR-SMALL SIGNAL	KSC1623-Y,NPN,200mW,SOT-23,TP,135-270
0501-000342	Q611	TR-SMALL SIGNAL	KSC1623-Y,NPN,200mW,SOT-23,TP,135-270
0501-002080	Q001	TR-SMALL SIGNAL	2SC2412K,NPN,200mW,SC-59,TP,120-270
0501-002080	Q002	TR-SMALL SIGNAL	2SC2412K,NPN,200mW,SC-59,TP,120-270
0501-002080	Q602	TR-SMALL SIGNAL	2SC2412K,NPN,200mW,SC-59,TP,120-270
0501-002080	Q711	TR-SMALL SIGNAL	2SC2412K,NPN,200mW,SC-59,TP,120-270
0501-002080	Q713	TR-SMALL SIGNAL	2SC2412K,NPN,200mW,SC-59,TP,120-270
0501-002080	Q808	TR-SMALL SIGNAL	2SC2412K,NPN,200mW,SC-59,TP,120-270
0501-002080	Q812	TR-SMALL SIGNAL	2SC2412K,NPN,200mW,SC-59,TP,120-270
0501-002080	Q813	TR-SMALL SIGNAL	2SC2412K,NPN,200mW,SC-59,TP,120-270
0505-001170	IC808	FET-SILICON	S19933ADY-T1,P,-20V,3.4A,0.06ohm,2W,SO-8
0801-002267	IC406	IC-CMOS LOGIC	74LCX14,-,SOIC,14P,150MIL,-,TP,-,-,3.6V,-40TO+85C,-,5.5V,-,-,24MA
0904-001009	IC631	IC-I/O SUPPORT CHIP	8574A,-,SOP,16P,300MIL,100KHz,
0904-001009	IC632	IC-I/O SUPPORT CHIP	8574A,-,SOP,16P,300MIL,100KHz,
1001-001082	IC013	IC-VIDEO SWITCH	BA7657F,-,SOP,24P,300MIL,SINGL
1001-001109	IC012	IC-ANALOG SWITCH	FST3125M,BUS SWITCH & CMOS,SOIC,17P,150MIL,QUAD,7V,-40TO+85C,PLASTIC,-,4.0OHM,5.
1001-001109	IC681	IC-ANALOG SWITCH	FST3125M,BUS SWITCH & CMOS,SOIC,17P,150MIL,QUAD,7V,-40TO+85C,PLASTIC,-,4.0OHM,5.
1001-001177	IC011	IC-VIDEO SWITCH	TEA6425D,VIDEO SWITCH,SOIC,20P,300MIL,-,8.8V,0TO+70C,PLASTIC,-,-,-,2UA,ST,-
1001-001190	IC001	IC-ANALOG SWITCH	FST1623MTD,BUS SWITCH,TSSOP,56P,240MIL,-,5.5V,-40TO+85C,PLASTIC,-,200HM,8.5NS,7
1002-001292	IC350	IC-A/D CONVERTER	AD9883AKST-110,8BITS,QFP,80P,551MIL,±0.5LSB,TR,CMOS,PLASTIC,3.3V,-25TO+85C,650M
1003-001419	IC300	IC-DISPLAY DRIVER	MN82860,QFP,208P,1102MIL,-,-,TR,PLASTIC,3.3V,-,2.3W,-,-
1103-000129	IC401	IC-EEPROM	24C02,256x8BIT,SOP,8P,150MIL,1
1103-000138	IC603	IC-EEPROM	24C16,2Kx8BIT,SOP,8P,150MIL,10
1109-001195	IC210	IC-VIDEO RAM	K4G323222A,2X512KX32BIT,PQFP,100P,-,6NS,3.3V,10%,PLASTIC,0TO+70C,2MA,CMOS,TR
1109-001195	IC211	IC-VIDEO RAM	K4G323222A,2X512KX32BIT,PQFP,100P,-,6NS,3.3V,10%,PLASTIC,0TO+70C,2MA,CMOS,TR
1201-001495	IC530	IC-AUDIO AMP	7050,SOP,8P,150MIL,DUAL,26DB,PLASTIC,6V,0.25W,-,40DB,-,-,20NA,-
1201-001681	IC501	IC-AUDIO AMP	1101,SOP,30P,433MIL,-,-,PLASTIC,13.2V,-,0to+70C,-,-,-,-,TP
1203-000404	IC801	IC-DC/DC CONVERTER	34063,SOP,8P,150MIL,PLASTIC,1.0/1.3V,-,0TO+70C,4.0MA,-,ST
1203-000404	IC810	IC-DC/DC CONVERTER	34063,SOP,8P,150MIL,PLASTIC,1.0/1.3V,-,0TO+70C,4.0MA,-,ST
1203-001212	IC604	IC-VOL. DETECTOR	7029,SOT-89,3P,-,PLASTIC,-,500
1203-001293	IC811	IC-POSITION FIXED REG.	033,T0-252,3P,6.5MIL,PLASTIC,3
1203-001448	IC804	IC-SWITCH VOL. REG.	2596,T0-263,5P,-,PLASTIC,4.750
1203-001779	IC807	IC-POSITION FIXED REG.	7812,D2PAK,3P,-,PLASTIC,11.5/12.5V,-,-40TO+125CC,1A,-,TP
1203-001816	IC803	IC-POSITION FIXED REG.	78M08,T0-252,3P,-,PLASTIC,7.7/8.3V,1.0W,-40TO+85C,0.5A,-,TP
1203-001830	IC805	IC-SWITCH VOL. REG.	2676,T0-263,7P,-,PLASTIC,3.234/3.336V,-,-40TO+125C,3A,-,TP
1203-001890	IC802	IC-VOLTAGE REGULATOR	3961,SOT223-5,5P,-,PLASTIC,2.5V,-,-40to+125C,800mA,-,TR
1203-001890	IC806	IC-VOLTAGE REGULATOR	3961,SOT223-5,5P,-,PLASTIC,2.5V,-,-40to+125C,800mA,-,TR
1204-001675	IC919	IC-SOUND PROCESSOR	MSP3451G,QFP,80P,-,PLASTIC,9V,1000mW,0to+70C,TR,Multistandard Sound
1204-001911	IC200	IC-VIDEO PROCESS	DPTV-3D-6730,PQFP,208P,28X28MM,PLASTIC,4.6V,-,0TO+70C,TR,-
1204-001912	IC601	IC-DECODER	SDA5550M,P-MQFP,100P,-,PLASTIC,3.3V,1.5W,0TO+70C,TR,-
1204-001926	IC010	IC-VIDEO PROCESS	VPC3230D-C5,PQFP,80P,-,PLASTIC,6V,-,0 TO 65C,TP,VPC3230D-C5
1205-001740	IC901	IC-TRANSMITTER	DS90C385,TSSOP,56P,240MIL,PLASTIC,4V,1.63W,-10 TO +70C,ST,FPD LINK-85MHZ(LVDS)
2007-000070	R00B	R-CHIP	0ohm,5%,1/16W,DA,TP,1608
2007-000070	R00G	R-CHIP	0ohm,5%,1/16W,DA,TP,1608
2007-000070	R00R	R-CHIP	0ohm,5%,1/16W,DA,TP,1608
2007-000070	R0HS	R-CHIP	0ohm,5%,1/16W,DA,TP,1608
2007-000070	R0VS	R-CHIP	0ohm,5%,1/16W,DA,TP,1608
2007-000070	R215	R-CHIP	0ohm,5%,1/16W,DA,TP,1608
2007-000070	R216	R-CHIP	0ohm,5%,1/16W,DA,TP,1608
2007-000070	R217	R-CHIP	0ohm,5%,1/16W,DA,TP,1608
2007-000070	R218	R-CHIP	0ohm,5%,1/16W,DA,TP,1608
2007-000070	R222	R-CHIP	0ohm,5%,1/16W,DA,TP,1608
2007-000070	R303	R-CHIP	0ohm,5%,1/16W,DA,TP,1608
2007-000070	R328	R-CHIP	0ohm,5%,1/16W,DA,TP,1608
2007-000070	R351	R-CHIP	0ohm,5%,1/16W,DA,TP,1608
2007-000070	R534	R-CHIP	0ohm,5%,1/16W,DA,TP,1608
2007-000070	R537	R-CHIP	0ohm,5%,1/16W,DA,TP,1608
2007-000070	R652	R-CHIP	0ohm,5%,1/16W,DA,TP,1608
2007-000070	R902	R-CHIP	0ohm,5%,1/16W,DA,TP,1608











2007-000109	R503	R-CHIP	1Mohm, 5%, 1/16W, DA, TP, 1608
2007-000113	R121	R-CHIP	33ohm, 5%, 1/16W, DA, TP, 1608
2007-000113	R122	R-CHIP	33ohm, 5%, 1/16W, DA, TP, 1608
2007-000113	R123	R-CHIP	33ohm, 5%, 1/16W, DA, TP, 1608
2007-000113	R124	R-CHIP	33ohm, 5%, 1/16W, DA, TP, 1608
2007-000113	R125	R-CHIP	33ohm, 5%, 1/16W, DA, TP, 1608
2007-000113	R126	R-CHIP	33ohm, 5%, 1/16W, DA, TP, 1608
2007-000113	R201	R-CHIP	33ohm, 5%, 1/16W, DA, TP, 1608
2007-000113	R202	R-CHIP	33ohm, 5%, 1/16W, DA, TP, 1608
2007-000113	R203	R-CHIP	33ohm, 5%, 1/16W, DA, TP, 1608
2007-000113	R204	R-CHIP	33ohm, 5%, 1/16W, DA, TP, 1608
2007-000113	R205	R-CHIP	33ohm, 5%, 1/16W, DA, TP, 1608
2007-000113	R206	R-CHIP	33ohm, 5%, 1/16W, DA, TP, 1608
2007-000118	R231	R-CHIP	390ohm, 5%, 1/16W, DA, TP, 1608
2007-000120	R645	R-CHIP	680ohm, 5%, 1/16W, DA, TP, 1608
2007-000219	R890	R-CHIP	1.2Kohm, 1%, 1/16W, DA, TP, 1608
2007-000219	R894	R-CHIP	1.2Kohm, 1%, 1/16W, DA, TP, 1608
2007-000239	R244	R-CHIP	1.5Kohm, 1%, 1/16W, DA, TP, 1608
2007-000239	R612	R-CHIP	1.5Kohm, 1%, 1/16W, DA, TP, 1608
2007-000239	R613	R-CHIP	1.5Kohm, 1%, 1/16W, DA, TP, 1608
2007-000309	R027	R-CHIP	10ohm, 5%, 1/16W, DA, TP, 1608
2007-000309	R062	R-CHIP	10ohm, 5%, 1/16W, DA, TP, 1608
2007-000309	R063	R-CHIP	10ohm, 5%, 1/16W, DA, TP, 1608
2007-000309	R214	R-CHIP	10ohm, 5%, 1/16W, DA, TP, 1608
2007-000309	R219	R-CHIP	10ohm, 5%, 1/16W, DA, TP, 1608
2007-000309	R224	R-CHIP	10ohm, 5%, 1/16W, DA, TP, 1608
2007-000309	R438	R-CHIP	10ohm, 5%, 1/16W, DA, TP, 1608
2007-000309	R441	R-CHIP	10ohm, 5%, 1/16W, DA, TP, 1608
2007-000309	R501	R-CHIP	10ohm, 5%, 1/16W, DA, TP, 1608
2007-000309	R502	R-CHIP	10ohm, 5%, 1/16W, DA, TP, 1608
2007-000309	R635	R-CHIP	10ohm, 5%, 1/16W, DA, TP, 1608
2007-000309	R692	R-CHIP	10ohm, 5%, 1/16W, DA, TP, 1608
2007-000309	R693	R-CHIP	10ohm, 5%, 1/16W, DA, TP, 1608
2007-000309	RJ01	R-CHIP	10ohm, 5%, 1/16W, DA, TP, 1608
2007-000309	RJ02	R-CHIP	10ohm, 5%, 1/16W, DA, TP, 1608
2007-000309	RJ03	R-CHIP	10ohm, 5%, 1/16W, DA, TP, 1608
2007-000309	RJ04	R-CHIP	10ohm, 5%, 1/16W, DA, TP, 1608
2007-000309	RJ05	R-CHIP	10ohm, 5%, 1/16W, DA, TP, 1608
2007-000309	RJ06	R-CHIP	10ohm, 5%, 1/16W, DA, TP, 1608
2007-000309	RJ07	R-CHIP	10ohm, 5%, 1/16W, DA, TP, 1608
2007-000309	RJ08	R-CHIP	10ohm, 5%, 1/16W, DA, TP, 1608
2007-000309	RJ09	R-CHIP	10ohm, 5%, 1/16W, DA, TP, 1608
2007-000309	RJ10	R-CHIP	10ohm, 5%, 1/16W, DA, TP, 1608
2007-000309	RJ11	R-CHIP	10ohm, 5%, 1/16W, DA, TP, 1608
2007-000309	RJ12	R-CHIP	10ohm, 5%, 1/16W, DA, TP, 1608
2007-000309	RJ13	R-CHIP	10ohm, 5%, 1/16W, DA, TP, 1608
2007-000309	RJ14	R-CHIP	10ohm, 5%, 1/16W, DA, TP, 1608
2007-000309	RJ15	R-CHIP	10ohm, 5%, 1/16W, DA, TP, 1608
2007-000309	RJ16	R-CHIP	10ohm, 5%, 1/16W, DA, TP, 1608
2007-000309	RJ17	R-CHIP	10ohm, 5%, 1/16W, DA, TP, 1608
2007-000309	RJ18	R-CHIP	10ohm, 5%, 1/16W, DA, TP, 1608
2007-000309	RJ19	R-CHIP	10ohm, 5%, 1/16W, DA, TP, 1608
2007-000458	R591	R-CHIP	18Kohm, 5%, 1/16W, DA, TP, 1608
2007-000512	R109	R-CHIP	2.4Kohm, 5%, 1/16W, DA, TP, 1608
2007-000616	R318	R-CHIP	24Kohm, 5%, 1/16W, DA, TP, 1608
2007-000669	R895	R-CHIP	2Kohm, 1%, 1/16W, DA, TP, 1608
2007-000701	R891	R-CHIP	3.6Kohm, 1%, 1/16W, DA, TP, 1608
2007-000726	R808	R-CHIP	300ohm, 1%, 1/16W, DA, TP, 1608
2007-000821	R807	R-CHIP	390ohm, 1%, 1/16W, DA, TP, 1608

2007-000882	R518	R-CHIP	4.7ohm,5%,1/16W,DA,TP,1608
2007-000882	R519	R-CHIP	4.7ohm,5%,1/16W,DA,TP,1608
2007-001010	R312	R-CHIP	51Kohm,5%,1/16W,DA,TP,1608
2007-001044	R551	R-CHIP	56ohm,5%,1/16W,DA,TP,1608
2007-001044	R552	R-CHIP	56ohm,5%,1/16W,DA,TP,1608
2007-001164	R314	R-CHIP	75ohm,1%,1/16W,DA,TP,1608
2007-001164	R315	R-CHIP	75ohm,1%,1/16W,DA,TP,1608
2007-001164	R316	R-CHIP	75ohm,1%,1/16W,DA,TP,1608
2007-001164	R321	R-CHIP	75ohm,1%,1/16W,DA,TP,1608
2007-001164	R325	R-CHIP	75ohm,1%,1/16W,DA,TP,1608
2007-001164	R326	R-CHIP	75ohm,1%,1/16W,DA,TP,1608
2007-001164	R411	R-CHIP	75ohm,1%,1/16W,DA,TP,1608
2007-001164	R412	R-CHIP	75ohm,1%,1/16W,DA,TP,1608
2007-001164	R413	R-CHIP	75ohm,1%,1/16W,DA,TP,1608
2007-001164	R870	R-CHIP	75ohm,1%,1/16W,DA,TP,1608
2007-001164	R871	R-CHIP	75ohm,1%,1/16W,DA,TP,1608
2007-001164	R872	R-CHIP	75ohm,1%,1/16W,DA,TP,1608
2007-001167	R007	R-CHIP	75ohm,5%,1/16W,DA,TP,1608
2007-001167	R008	R-CHIP	75ohm,5%,1/16W,DA,TP,1608
2007-001167	R009	R-CHIP	75ohm,5%,1/16W,DA,TP,1608
2007-001167	R014	R-CHIP	75ohm,5%,1/16W,DA,TP,1608
2007-001167	R019	R-CHIP	75ohm,5%,1/16W,DA,TP,1608
2007-001167	R022	R-CHIP	75ohm,5%,1/16W,DA,TP,1608
2007-001167	R023	R-CHIP	75ohm,5%,1/16W,DA,TP,1608
2007-001167	R024	R-CHIP	75ohm,5%,1/16W,DA,TP,1608
2007-001167	R035	R-CHIP	75ohm,5%,1/16W,DA,TP,1608
2007-001167	R041	R-CHIP	75ohm,5%,1/16W,DA,TP,1608
2007-001167	R049	R-CHIP	75ohm,5%,1/16W,DA,TP,1608
2007-001167	R067	R-CHIP	75ohm,5%,1/16W,DA,TP,1608
2007-001167	R236	R-CHIP	75ohm,5%,1/16W,DA,TP,1608
2007-001167	R619	R-CHIP	75ohm,5%,1/16W,DA,TP,1608
2007-001175	R511	R-CHIP	8.2Kohm,1%,1/16W,DA,TP,1608
2007-008433	R892	R-CHIP	0.330HM,1%,1W,DA,TP,6432
2007-008433	R893	R-CHIP	0.330HM,1%,1W,DA,TP,6432
2011-000002	IC002	R-NETWORK	22ohm,5%,63mW,L,CHIP,8P,TP
2011-000002	IC003	R-NETWORK	22ohm,5%,63mW,L,CHIP,8P,TP
2011-000002	IC004	R-NETWORK	22ohm,5%,63mW,L,CHIP,8P,TP
2011-000002	IC005	R-NETWORK	22ohm,5%,63mW,L,CHIP,8P,TP
2011-000002	IC006	R-NETWORK	22ohm,5%,63mW,L,CHIP,8P,TP
2011-000002	IC007	R-NETWORK	22ohm,5%,63mW,L,CHIP,8P,TP
2011-000002	IC008	R-NETWORK	22ohm,5%,63mW,L,CHIP,8P,TP
2011-000002	IC009	R-NETWORK	22ohm,5%,63mW,L,CHIP,8P,TP
2011-000002	RA301	R-NETWORK	22ohm,5%,63mW,L,CHIP,8P,TP
2011-000002	RA302	R-NETWORK	22ohm,5%,63mW,L,CHIP,8P,TP
2011-000002	RA303	R-NETWORK	22ohm,5%,63mW,L,CHIP,8P,TP
2011-000002	RA304	R-NETWORK	22ohm,5%,63mW,L,CHIP,8P,TP
2011-000002	RA305	R-NETWORK	22ohm,5%,63mW,L,CHIP,8P,TP
2011-000002	RA306	R-NETWORK	22ohm,5%,63mW,L,CHIP,8P,TP
2011-000002	RA311	R-NETWORK	22ohm,5%,63mW,L,CHIP,8P,TP
2011-000002	RA312	R-NETWORK	22ohm,5%,63mW,L,CHIP,8P,TP
2011-000002	RA313	R-NETWORK	22ohm,5%,63mW,L,CHIP,8P,TP
2011-000002	RA351	R-NETWORK	22ohm,5%,63mW,L,CHIP,8P,TP
2011-000002	RA352	R-NETWORK	22ohm,5%,63mW,L,CHIP,8P,TP
2011-000002	RA353	R-NETWORK	22ohm,5%,63mW,L,CHIP,8P,TP
2011-000002	RA354	R-NETWORK	22ohm,5%,63mW,L,CHIP,8P,TP
2011-000002	RA355	R-NETWORK	22ohm,5%,63mW,L,CHIP,8P,TP
2011-000002	RA356	R-NETWORK	22ohm,5%,63mW,L,CHIP,8P,TP
2011-000515	IC641	R-NETWORK	4.7Kohm,5%,1/16W,L,CHIP,8P,TP
2011-000515	IC642	R-NETWORK	4.7Kohm,5%,1/16W,L,CHIP,8P,TP









2203-000815	C3A9	C-CERAMIC,CHIP	0.033nF,5%,50V,NPO,TP,1608
2203-000815	C3AA	C-CERAMIC,CHIP	0.033nF,5%,50V,NPO,TP,1608
2203-000815	C3AB	C-CERAMIC,CHIP	0.033nF,5%,50V,NPO,TP,1608
2203-000815	C3AC	C-CERAMIC,CHIP	0.033nF,5%,50V,NPO,TP,1608
2203-000815	C3AD	C-CERAMIC,CHIP	0.033nF,5%,50V,NPO,TP,1608
2203-000839	C313	C-CERAMIC,CHIP	0.39nF,5%,50V,NPO,TP,2012
2203-000903	C011	C-CERAMIC,CHIP	0.0047nF,0.25pF,50V,NPO,TP,1608
2203-000903	C012	C-CERAMIC,CHIP	0.0047nF,0.25pF,50V,NPO,TP,1608
2203-000972	C005	C-CERAMIC,CHIP	47nF,10%,16V,X7R,TP,1608
2203-000972	C007	C-CERAMIC,CHIP	47nF,10%,16V,X7R,TP,1608
2203-000972	C013	C-CERAMIC,CHIP	47nF,10%,16V,X7R,TP,1608
2203-000972	C021	C-CERAMIC,CHIP	47nF,10%,16V,X7R,TP,1608
2203-000972	C379	C-CERAMIC,CHIP	47nF,10%,16V,X7R,TP,1608
2203-000972	C576	C-CERAMIC,CHIP	47nF,10%,16V,X7R,TP,1608
2203-000998	C040	C-CERAMIC,CHIP	0.047nF,5%,50V,NPO,TP,1608
2203-000998	C052	C-CERAMIC,CHIP	0.047nF,5%,50V,NPO,TP,1608
2203-000998	C086	C-CERAMIC,CHIP	0.047nF,5%,50V,NPO,TP,1608
2203-000998	C087	C-CERAMIC,CHIP	0.047nF,5%,50V,NPO,TP,1608
2203-000998	C089	C-CERAMIC,CHIP	0.047nF,5%,50V,NPO,TP,1608
2203-001071	C567	C-CERAMIC,CHIP	0.056nF,5%,50V,NPO,TP,1608
2203-001071	C568	C-CERAMIC,CHIP	0.056nF,5%,50V,NPO,TP,1608
2203-001071	C571	C-CERAMIC,CHIP	0.056nF,5%,50V,NPO,TP,1608
2203-001126	C892	C-CERAMIC,CHIP	0.68nF,10%,50V,X7R,TP,1608
2203-001140	C002	C-CERAMIC,CHIP	68nF,10%,16V,X7R,TP,1608,-
2203-001140	C003	C-CERAMIC,CHIP	68nF,10%,16V,X7R,TP,1608,-
2203-001140	C006	C-CERAMIC,CHIP	68nF,10%,16V,X7R,TP,1608,-
2203-001402	C015	C-CERAMIC,CHIP	220nF,+80-20%,16V,Y5V,TP,1608
2203-001402	C020	C-CERAMIC,CHIP	220nF,+80-20%,16V,Y5V,TP,1608
2203-001402	C031	C-CERAMIC,CHIP	220nF,+80-20%,16V,Y5V,TP,1608
2203-001402	C032	C-CERAMIC,CHIP	220nF,+80-20%,16V,Y5V,TP,1608
2203-001402	C033	C-CERAMIC,CHIP	220nF,+80-20%,16V,Y5V,TP,1608
2203-001402	C034	C-CERAMIC,CHIP	220nF,+80-20%,16V,Y5V,TP,1608
2203-001402	C035	C-CERAMIC,CHIP	220nF,+80-20%,16V,Y5V,TP,1608
2203-001402	C036	C-CERAMIC,CHIP	220nF,+80-20%,16V,Y5V,TP,1608
2203-001402	C039	C-CERAMIC,CHIP	220nF,+80-20%,16V,Y5V,TP,1608
2203-001402	C047	C-CERAMIC,CHIP	220nF,+80-20%,16V,Y5V,TP,1608
2203-001402	C049	C-CERAMIC,CHIP	220nF,+80-20%,16V,Y5V,TP,1608
2203-001402	C848	C-CERAMIC,CHIP	220nF,+80-20%,16V,Y5V,TP,1608
2203-001402	C849	C-CERAMIC,CHIP	220nF,+80-20%,16V,Y5V,TP,1608
2203-001656	C017	C-CERAMIC,CHIP	0.47nF,5%,50V,NPO,TP,1608
2203-001656	C024	C-CERAMIC,CHIP	0.47nF,5%,50V,NPO,TP,1608
2203-001656	C037	C-CERAMIC,CHIP	0.47nF,5%,50V,NPO,TP,1608
2203-001656	C543	C-CERAMIC,CHIP	0.47nF,5%,50V,NPO,TP,1608
2203-001656	C569	C-CERAMIC,CHIP	0.47nF,5%,50V,NPO,TP,1608
2203-005005	C010	C-CERAMIC,CHIP	100nF,10%,16V,X7R,TP,1608
2203-005005	C201	C-CERAMIC,CHIP	100nF,10%,16V,X7R,TP,1608
2203-005005	C202	C-CERAMIC,CHIP	100nF,10%,16V,X7R,TP,1608
2203-005005	C203	C-CERAMIC,CHIP	100nF,10%,16V,X7R,TP,1608
2203-005005	C204	C-CERAMIC,CHIP	100nF,10%,16V,X7R,TP,1608
2203-005005	C205	C-CERAMIC,CHIP	100nF,10%,16V,X7R,TP,1608
2203-005005	C206	C-CERAMIC,CHIP	100nF,10%,16V,X7R,TP,1608
2203-005005	C207	C-CERAMIC,CHIP	100nF,10%,16V,X7R,TP,1608
2203-005005	C208	C-CERAMIC,CHIP	100nF,10%,16V,X7R,TP,1608
2203-005005	C209	C-CERAMIC,CHIP	100nF,10%,16V,X7R,TP,1608
2203-005005	C211	C-CERAMIC,CHIP	100nF,10%,16V,X7R,TP,1608
2203-005005	C212	C-CERAMIC,CHIP	100nF,10%,16V,X7R,TP,1608
2203-005005	C213	C-CERAMIC,CHIP	100nF,10%,16V,X7R,TP,1608
2203-005005	C214	C-CERAMIC,CHIP	100nF,10%,16V,X7R,TP,1608
2203-005005	C215	C-CERAMIC,CHIP	100nF,10%,16V,X7R,TP,1608



2203-005005	C398	C-CERAMIC,CHIP	100nF,10%,16V,X7R,TP,1608
2203-005005	C408	C-CERAMIC,CHIP	100nF,10%,16V,X7R,TP,1608
2203-005005	C503	C-CERAMIC,CHIP	100nF,10%,16V,X7R,TP,1608
2203-005005	C549	C-CERAMIC,CHIP	100nF,10%,16V,X7R,TP,1608
2203-005005	C551	C-CERAMIC,CHIP	100nF,10%,16V,X7R,TP,1608
2203-005005	C601	C-CERAMIC,CHIP	100nF,10%,16V,X7R,TP,1608
2203-005005	C602	C-CERAMIC,CHIP	100nF,10%,16V,X7R,TP,1608
2203-005005	C605	C-CERAMIC,CHIP	100nF,10%,16V,X7R,TP,1608
2203-005005	C606	C-CERAMIC,CHIP	100nF,10%,16V,X7R,TP,1608
2203-005005	C607	C-CERAMIC,CHIP	100nF,10%,16V,X7R,TP,1608
2203-005005	C609	C-CERAMIC,CHIP	100nF,10%,16V,X7R,TP,1608
2203-005005	C612	C-CERAMIC,CHIP	100nF,10%,16V,X7R,TP,1608
2203-005005	C613	C-CERAMIC,CHIP	100nF,10%,16V,X7R,TP,1608
2203-005005	C619	C-CERAMIC,CHIP	100nF,10%,16V,X7R,TP,1608
2203-005005	C625	C-CERAMIC,CHIP	100nF,10%,16V,X7R,TP,1608
2203-005005	C626	C-CERAMIC,CHIP	100nF,10%,16V,X7R,TP,1608
2203-005005	C627	C-CERAMIC,CHIP	100nF,10%,16V,X7R,TP,1608
2203-005005	C824	C-CERAMIC,CHIP	100nF,10%,16V,X7R,TP,1608
2203-005005	C873	C-CERAMIC,CHIP	100nF,10%,16V,X7R,TP,1608
2203-005005	C874	C-CERAMIC,CHIP	100nF,10%,16V,X7R,TP,1608
2203-005005	C875	C-CERAMIC,CHIP	100nF,10%,16V,X7R,TP,1608
2203-005015	C501	C-CERAMIC,CHIP	150nF,+80-20%,16V,Y5V,TP,1608
2203-005015	C502	C-CERAMIC,CHIP	150nF,+80-20%,16V,Y5V,TP,1608
2203-005015	C507	C-CERAMIC,CHIP	150nF,+80-20%,16V,Y5V,TP,1608
2203-005015	C508	C-CERAMIC,CHIP	150nF,+80-20%,16V,Y5V,TP,1608
2203-005015	C509	C-CERAMIC,CHIP	150nF,+80-20%,16V,Y5V,TP,1608
2203-005015	C510	C-CERAMIC,CHIP	150nF,+80-20%,16V,Y5V,TP,1608
2203-005015	C511	C-CERAMIC,CHIP	150nF,+80-20%,16V,Y5V,TP,1608
2203-005015	C512	C-CERAMIC,CHIP	150nF,+80-20%,16V,Y5V,TP,1608
2203-005015	C513	C-CERAMIC,CHIP	150nF,+80-20%,16V,Y5V,TP,1608
2203-005015	C514	C-CERAMIC,CHIP	150nF,+80-20%,16V,Y5V,TP,1608
2203-005015	C515	C-CERAMIC,CHIP	150nF,+80-20%,16V,Y5V,TP,1608
2203-005015	C516	C-CERAMIC,CHIP	150nF,+80-20%,16V,Y5V,TP,1608
2203-005015	C517	C-CERAMIC,CHIP	150nF,+80-20%,16V,Y5V,TP,1608
2203-005015	C518	C-CERAMIC,CHIP	150nF,+80-20%,16V,Y5V,TP,1608
2203-005065	C249	C-CERAMIC,CHIP	1000nF,+80-20%,10V,Y5V,TP,1608
2203-005065	C261	C-CERAMIC,CHIP	1000nF,+80-20%,10V,Y5V,TP,1608
2203-005065	C264	C-CERAMIC,CHIP	1000nF,+80-20%,10V,Y5V,TP,1608
2203-005065	C529	C-CERAMIC,CHIP	1000nF,+80-20%,10V,Y5V,TP,1608
2203-005065	C532	C-CERAMIC,CHIP	1000nF,+80-20%,10V,Y5V,TP,1608
2203-006017	C221	C-CERAMIC,CHIP	0.56NF,5%,50V,COG,TP,1608
2203-006017	C224	C-CERAMIC,CHIP	0.56NF,5%,50V,COG,TP,1608
2203-006036	C018	C-CERAMIC,CHIP	680NF,+80-20%,16V,Y5V,TP,1608
2203-006036	C067	C-CERAMIC,CHIP	680NF,+80-20%,16V,Y5V,TP,1608
2203-006036	C068	C-CERAMIC,CHIP	680NF,+80-20%,16V,Y5V,TP,1608
2402-000108	C552	C-AL,SMD	10uF,20%,16V,WT,TP,4.3x4.3x5.4
2402-000108	C561	C-AL,SMD	10uF,20%,16V,WT,TP,4.3x4.3x5.4
2402-000135	C092	C-AL,SMD	22uF,20%,16V,GP,TP,5.3x5.3x5.4
2402-000135	C093	C-AL,SMD	22uF,20%,16V,GP,TP,5.3x5.3x5.4
2402-000135	C218	C-AL,SMD	22uF,20%,16V,GP,TP,5.3x5.3x5.4
2402-000135	C223	C-AL,SMD	22uF,20%,16V,GP,TP,5.3x5.3x5.4
2402-000135	C231	C-AL,SMD	22uF,20%,16V,GP,TP,5.3x5.3x5.4
2402-000135	C236	C-AL,SMD	22uF,20%,16V,GP,TP,5.3x5.3x5.4
2402-000135	C250	C-AL,SMD	22uF,20%,16V,GP,TP,5.3x5.3x5.4
2402-000135	C251	C-AL,SMD	22uF,20%,16V,GP,TP,5.3x5.3x5.4
2402-000135	C252	C-AL,SMD	22uF,20%,16V,GP,TP,5.3x5.3x5.4
2402-000135	C254	C-AL,SMD	22uF,20%,16V,GP,TP,5.3x5.3x5.4
2402-000135	C258	C-AL,SMD	22uF,20%,16V,GP,TP,5.3x5.3x5.4
2402-000135	C269	C-AL,SMD	22uF,20%,16V,GP,TP,5.3x5.3x5.4



2402-001019	C616	C-AL,SMD	2.2uF,20%,35V,GP,TP,3.3x3.3x5.
2402-001042	C041	C-AL,SMD	100uF,20%,16V,GP,TP,6.6x6.6x5.4mm
2402-001042	C281	C-AL,SMD	100uF,20%,16V,GP,TP,6.6x6.6x5.4mm
2402-001042	C336	C-AL,SMD	100uF,20%,16V,GP,TP,6.6x6.6x5.4mm
2402-001042	C392	C-AL,SMD	100uF,20%,16V,GP,TP,6.6x6.6x5.4mm
2402-001042	C520	C-AL,SMD	100uF,20%,16V,GP,TP,6.6x6.6x5.4mm
2402-001042	C522	C-AL,SMD	100uF,20%,16V,GP,TP,6.6x6.6x5.4mm
2402-001042	C523	C-AL,SMD	100uF,20%,16V,GP,TP,6.6x6.6x5.4mm
2402-001042	C528	C-AL,SMD	100uF,20%,16V,GP,TP,6.6x6.6x5.4mm
2402-001042	C534	C-AL,SMD	100uF,20%,16V,GP,TP,6.6x6.6x5.4mm
2402-001042	C535	C-AL,SMD	100uF,20%,16V,GP,TP,6.6x6.6x5.4mm
2402-001042	C575	C-AL,SMD	100uF,20%,16V,GP,TP,6.6x6.6x5.4mm
2402-001042	C580	C-AL,SMD	100uF,20%,16V,GP,TP,6.6x6.6x5.4mm
2402-001042	C597	C-AL,SMD	100uF,20%,16V,GP,TP,6.6x6.6x5.4mm
2402-001042	C598	C-AL,SMD	100uF,20%,16V,GP,TP,6.6x6.6x5.4mm
2402-001042	C604	C-AL,SMD	100uF,20%,16V,GP,TP,6.6x6.6x5.4mm
2402-001042	C621	C-AL,SMD	100uF,20%,16V,GP,TP,6.6x6.6x5.4mm
2402-001042	C809	C-AL,SMD	100uF,20%,16V,GP,TP,6.6x6.6x5.4mm
2402-001042	C812	C-AL,SMD	100uF,20%,16V,GP,TP,6.6x6.6x5.4mm
2402-001042	C822	C-AL,SMD	100uF,20%,16V,GP,TP,6.6x6.6x5.4mm
2402-001042	C841	C-AL,SMD	100uF,20%,16V,GP,TP,6.6x6.6x5.4mm
2402-001042	C843	C-AL,SMD	100uF,20%,16V,GP,TP,6.6x6.6x5.4mm
2402-001042	C861	C-AL,SMD	100uF,20%,16V,GP,TP,6.6x6.6x5.4mm
2402-001042	C889	C-AL,SMD	100uF,20%,16V,GP,TP,6.6x6.6x5.4mm
2402-001042	C903	C-AL,SMD	100uF,20%,16V,GP,TP,6.6x6.6x5.4mm
2402-001042	C904	C-AL,SMD	100uF,20%,16V,GP,TP,6.6x6.6x5.4mm
2402-001042	C906	C-AL,SMD	100uF,20%,16V,GP,TP,6.6x6.6x5.4mm
2402-001042	C907	C-AL,SMD	100uF,20%,16V,GP,TP,6.6x6.6x5.4mm
2402-001042	C911	C-AL,SMD	100uF,20%,16V,GP,TP,6.6x6.6x5.4mm
2402-001086	C872	C-AL,SMD	100UF,20%,16V,WT,TP,6.6x6.6x5.3
2402-001155	C288	C-AL,SMD	47UF,20%,16V,WT,TP,6.3x5.2MM
2402-001155	C329	C-AL,SMD	47UF,20%,16V,WT,TP,6.3x5.2MM
2409-001029	C810	C-ORGANIC	120uF,20%,6.3V,WT,TP,10.3x10.3x10.3mm,9
2409-001029	C813	C-ORGANIC	120uF,20%,6.3V,WT,TP,10.3x10.3x10.3mm,9
2409-001029	C826	C-ORGANIC	120uF,20%,6.3V,WT,TP,10.3x10.3x10.3mm,9
2409-001029	C827	C-ORGANIC	120uF,20%,6.3V,WT,TP,10.3x10.3x10.3mm,9
2409-001029	C865	C-ORGANIC	120uF,20%,6.3V,WT,TP,10.3x10.3x10.3mm,9
2409-001029	C867	C-ORGANIC	120uF,20%,6.3V,WT,TP,10.3x10.3x10.3mm,9
2409-001029	C869	C-ORGANIC	120uF,20%,6.3V,WT,TP,10.3x10.3x10.3mm,9
2409-001029	C890	C-ORGANIC	120uF,20%,6.3V,WT,TP,10.3x10.3x10.3mm,9
2503-001018	IC111	C-NETWORK	15PFX4,10%,50V,-
2503-001018	IC112	C-NETWORK	15PFX4,10%,50V,-
2503-001018	IC113	C-NETWORK	15PFX4,10%,50V,-
2503-001018	IC114	C-NETWORK	15PFX4,10%,50V,-
2503-001018	IC115	C-NETWORK	15PFX4,10%,50V,-
2503-001018	IC116	C-NETWORK	15PFX4,10%,50V,-
2703-000398	L008	INDUCTOR-SMD	10uH,10%,3.2x2.5x2.2mm
2703-000398	L401	INDUCTOR-SMD	10uH,10%,3.2x2.5x2.2mm
2703-000398	L410	INDUCTOR-SMD	10uH,10%,3.2x2.5x2.2mm
2703-000412	L611	INDUCTOR-SMD	8.2uH,5%,3.2x2.5x2.2mm
2703-001334	L411	INDUCTOR-SMD	1.5uH,10%,2x1.25x0.85mm
2703-001334	L412	INDUCTOR-SMD	1.5uH,10%,2x1.25x0.85mm
2703-001778	L004	INDUCTOR-SMD	3.3UH,20%,3.2X2.5X2.2MM
2703-001778	L005	INDUCTOR-SMD	3.3UH,20%,3.2X2.5X2.2MM
2703-001778	L006	INDUCTOR-SMD	3.3UH,20%,3.2X2.5X2.2MM
2703-001778	L007	INDUCTOR-SMD	3.3UH,20%,3.2X2.5X2.2MM
2703-001778	L201	INDUCTOR-SMD	3.3UH,20%,3.2X2.5X2.2MM
2703-001778	L202	INDUCTOR-SMD	3.3UH,20%,3.2X2.5X2.2MM
2703-001778	L203	INDUCTOR-SMD	3.3UH,20%,3.2X2.5X2.2MM

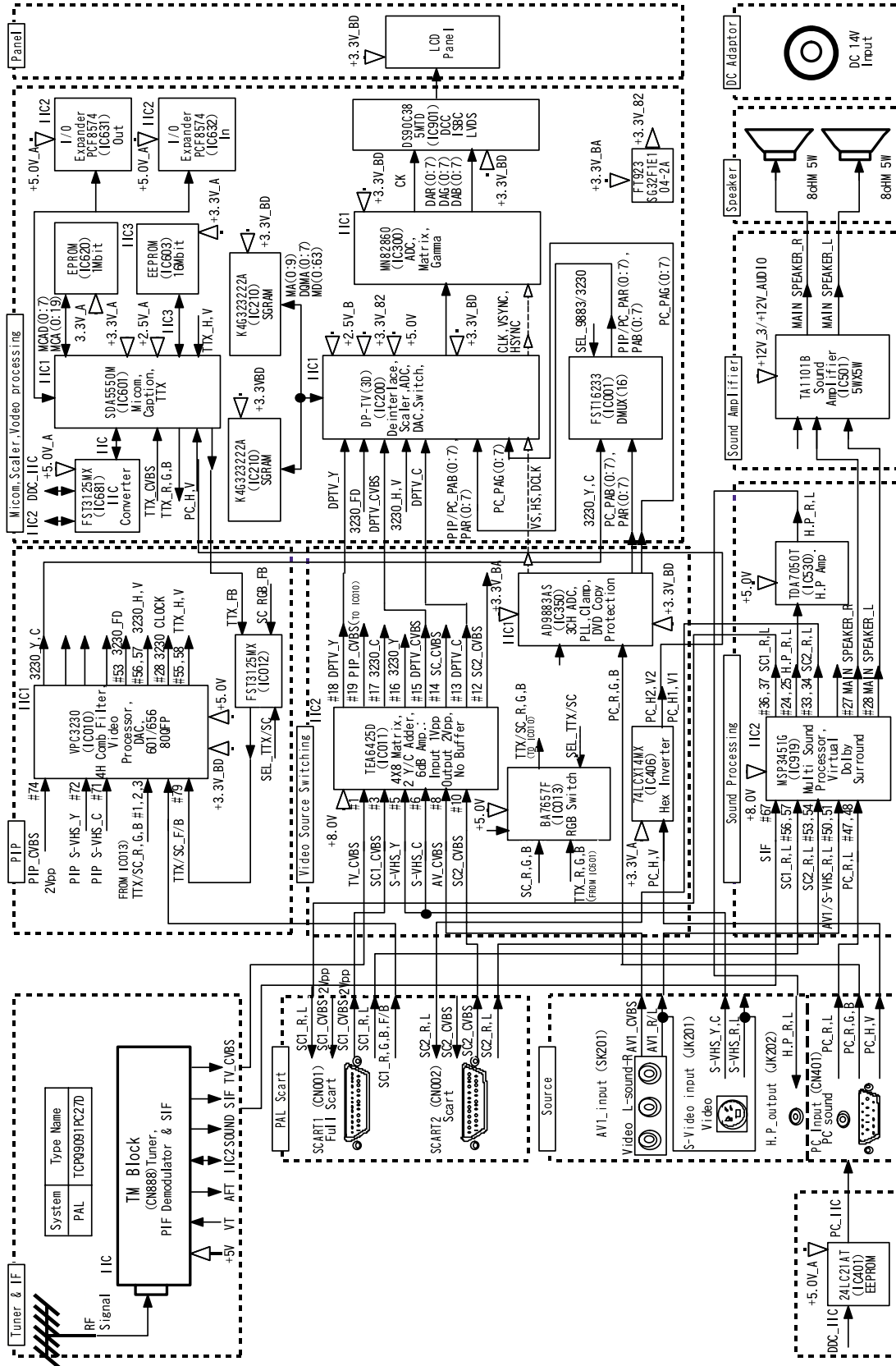
2703-001778	L204	INDUCTOR-SMD	3.3UH,20%,3.2X2.5X2.2MM	
2703-001778	L206	INDUCTOR-SMD	3.3UH,20%,3.2X2.5X2.2MM	
2703-001778	L207	INDUCTOR-SMD	3.3UH,20%,3.2X2.5X2.2MM	
2703-001778	L208	INDUCTOR-SMD	3.3UH,20%,3.2X2.5X2.2MM	
2703-001778	L209	INDUCTOR-SMD	3.3UH,20%,3.2X2.5X2.2MM	
2703-001778	L555	INDUCTOR-SMD	3.3UH,20%,3.2X2.5X2.2MM	
2703-001778	L612	INDUCTOR-SMD	3.3UH,20%,3.2X2.5X2.2MM	
2703-001778	L613	INDUCTOR-SMD	3.3UH,20%,3.2X2.5X2.2MM	
2703-001778	L921	INDUCTOR-SMD	3.3UH,20%,3.2X2.5X2.2MM	
2703-002327	L540	INDUCTOR-SMD	3.9UH,55,3.2X2.5X2.2MM	
2703-002327	L541	INDUCTOR-SMD	3.9UH,55,3.2X2.5X2.2MM	
2801-003667	X201	CRYSTAL-SMD	14.3182MHZ,50PPM,28-AAN,16,500HM,TP	
2801-003843	X511	CRYSTAL-SMD	18.432MHz,30ppm,28-AAN,20pF,50ohm,TP	
2801-004004	X401	CRYSTAL-SMD	20.25MHz,20ppm,28-AAN,13pF,25ohm,TP	
2801-004117	X601	CRYSTAL-SMD	6MHZ,30PPM,28-ABX,20PF,1500HM,TP	
2901-001114	FT101	FILTER-EMI SMD	25VDC,2.0ADC,-,100nF,3.2x1.6x1	
2901-001114	FT281	FILTER-EMI SMD	25VDC,2.0ADC,-,100nF,3.2x1.6x1	
2901-001114	FT901	FILTER-EMI SMD	25VDC,2.0ADC,-,100nF,3.2x1.6x1	
2901-001114	FT902	FILTER-EMI SMD	25VDC,2.0ADC,-,100nF,3.2x1.6x1	
2901-001114	FT903	FILTER-EMI SMD	25VDC,2.0ADC,-,100nF,3.2x1.6x1	
2901-001114	FT904	FILTER-EMI SMD	25VDC,2.0ADC,-,100nF,3.2x1.6x1	
2901-001114	FT923	FILTER-EMI SMD	25VDC,2.0ADC,-,100nF,3.2x1.6x1	
2901-001114	R293	FILTER-EMI SMD	25VDC,2.0ADC,-,100nF,3.2x1.6x1	
3301-001145	FT211	CORE-FERRITE BEAD	AB,4.5x1.6x1.6mm,-,-	SNA
3301-001145	FT303	CORE-FERRITE BEAD	AB,4.5x1.6x1.6mm,-,-	SNA
3301-001145	FT304	CORE-FERRITE BEAD	AB,4.5x1.6x1.6mm,-,-	SNA
3301-001145	FT811	CORE-FERRITE BEAD	AB,4.5x1.6x1.6mm,-,-	SNA
3301-001145	FT814	CORE-FERRITE BEAD	AB,4.5x1.6x1.6mm,-,-	SNA
3301-001145	FT815	CORE-FERRITE BEAD	AB,4.5x1.6x1.6mm,-,-	SNA
3301-001145	FT816	CORE-FERRITE BEAD	AB,4.5x1.6x1.6mm,-,-	SNA
3301-001145	FT817	CORE-FERRITE BEAD	AB,4.5x1.6x1.6mm,-,-	SNA
3301-001145	FT818	CORE-FERRITE BEAD	AB,4.5x1.6x1.6mm,-,-	SNA
3301-001145	FT822	CORE-FERRITE BEAD	AB,4.5x1.6x1.6mm,-,-	SNA
3301-001145	FT824	CORE-FERRITE BEAD	AB,4.5x1.6x1.6mm,-,-	SNA
3301-001145	FT825	CORE-FERRITE BEAD	AB,4.5x1.6x1.6mm,-,-	SNA
3301-001145	FT851	CORE-FERRITE BEAD	AB,4.5x1.6x1.6mm,-,-	SNA
3301-001145	FT852	CORE-FERRITE BEAD	AB,4.5x1.6x1.6mm,-,-	SNA
3301-001145	FT920	CORE-FERRITE BEAD	AB,4.5x1.6x1.6mm,-,-	SNA
3301-001145	FT921	CORE-FERRITE BEAD	AB,4.5x1.6x1.6mm,-,-	SNA
3301-001145	L100	CORE-FERRITE BEAD	AB,4.5x1.6x1.6mm,-,-	SNA
3704-000249	IC620_SOCKET	SOCKET-IC	32P,PLCC,SN,1.27mm	
3711-000556	CN702_1	CONNECTOR-HEADER	BOX,12P,1R,1.25mm,SMD-A,SN	SNA
3711-002046	CN920	CONNECTOR-HEADER	3WALL,12P,1R,1.25mm,SMD-S,SN	SNA
3711-002049	CN701_1	CONNECTOR-HEADER	BOX,6P,1R,1.25mm,SMD-A,SN	SNA
3711-003161	CN901	CONNECTOR-HEADER	BOX,20P,1R,1.25mm,ANGLE,SN	
BN27-00007A	L501	COIL CHOKE-SMD	DHB0504-100,RB15/17NS,10UH,±10%,-,0.080HM,1.5A,DR5.8X4.5,20.5TS,6.0X5.2X4.5MM,-	
BN27-00007A	L502	COIL CHOKE-SMD	DHB0504-100,RB15/17NS,10UH,±10%,-,0.080HM,1.5A,DR5.8X4.5,20.5TS,6.0X5.2X4.5MM,-	
BN27-00007A	L503	COIL CHOKE-SMD	DHB0504-100,RB15/17NS,10UH,±10%,-,0.080HM,1.5A,DR5.8X4.5,20.5TS,6.0X5.2X4.5MM,-	
BN27-00007A	L504	COIL CHOKE-SMD	DHB0504-100,RB15/17NS,10UH,±10%,-,0.080HM,1.5A,DR5.8X4.5,20.5TS,6.0X5.2X4.5MM,-	
BN27-00009A	L806	COIL CHOKE	SMD 12X12X6,EOS,33UH,15%,-,0.12 MAX,2A,DR10X5.0MM,18.5TS,12X12X6,1.8MM,1UEW 0.	
BN27-00010A	L805	COIL CHOKE	-,NK17NS,100UH,10%,-,0.7 MAX,6A,DR5.8X4.5MM,59.5TS,6.0X5.2X4.5MM,1.8MM,1UEW 0.	
BN27-00010A	L830	COIL CHOKE	-,NK17NS,100UH,10%,-,0.7 MAX,6A,DR5.8X4.5MM,59.5TS,6.0X5.2X4.5MM,1.8MM,1UEW 0.	
BN27-20001A	L807	COIL-CHOKE	-,53.0UH,20%,DR10*5,-,-,-,0.18ohm,-,-,-,TRAY	
BN41-00139A	MP1.0	PCB MAIN	NK17AS,FR4,6L,-,-,280X140X1.6,NK17AS,-,-,-	SNA
BN91-00348H	-	ASSY SHIELD	NK17AS	SNA
0203-001160	CIS	TAPE-FILAMENT	SCOTCH#8915,T0.16,W48,L55M,TRP	SNA
6001-000154	STD+C/R	SCREW-MACHINE	BH,+,M4,L8,N1 PLT,SWRCH18A,FB-80	
6003-000276	C/F+AUD/PCB	SCREW-TAPTITE	BH,+,B,M3,L10,ZPC(YEL),SWCH10	SNA
6003-000276	C/F+B/GUIDE	SCREW-TAPTITE	BH,+,B,M3,L10,ZPC(YEL),SWCH10	SNA

6003-000276	C/F+SH/PCB	SCREW-TAPTITE	BH,+,B,M3,L10,ZPC(YEL),SWCH10	SNA
6003-000276	GND_WIRE+SH/PCB	SCREW-TAPTITE	BH,+,B,M3,L10,ZPC(YEL),SWCH10	SNA
6502-001019	SH/PCB	CABLE CLAMP	DAMC-10,1D9.9,T7.1,NYLON6.6,GRAY	SNA
BN39-00080A	CIS	CABLE RCA-HARNESS	NK17NS,UL2835#28,UL/CSA,20P,-,-,#28,12507HS-20,12507HS-20,BK,-,-,130MM,2835#28,S	
BN39-00248A	CIS	LEAD CONNECTOR-ASSY	NK17AS,UL2835#28,UL/CSA,12P,#28,SMH200-12,12505HS-12,BK,230MM,2835#28,SJ02-01-00	
BN59-00215B	CIS	BOARD-AV JACK ASSY	NK17AS,AV-JACK BOARD ASS'Y	
BN63-00109A	CIS	GASKET	4312FA,CONDUCTIVE FABRIC,5MM,17MM,100MM,GRAY,71TSSK17-5-100-13,71TSSK17-5-100-1	SNA
BN63-00222A	CIS	GASKET	NK17AS,CONDUCTIVE FABRIC,10MM,17MM,35MM,GRAY,71TSSK 17-10-35-13,71TSSK 17-10-35-	SNA
BN63-00258A	CIS	GASKET	NK17KS,CONDUCTIVE-FABRIC,3MM,20MM,405MM,GRAY,71TSSK 20-3-405-13,71TSSK 20-3-405-	SNA
BN70-00192A	CIS	BRACKET-SUPPORT	RB15AS,SECC,0.8	SNA
BN92-00322A	-	ASSY BOX	NK17AS,-,-,-	SNA
BH75-10529C	CIS	UNIT-HANDLE/PACKING	S/M170MP,PE-LD,PE-HD,-,WHITE,-	
BN72-60001A	CIS	LEVER TOP	LSD210TL,PE-LD,WHITE,TFT_LCD	SNA
BN72-60002C	CIS	LEVER BOTTOM	S/M170MP,PE-HD,BLUE	SNA
BN68-00135A	CIS	LABEL BAR CODE	-,ALL,MPRII,DOM,ART-PAPER 90G,-,WHT,BLACK,-,-,-	SNA
BN69-00276B	CIS	BOX	LW17N13W,GUJU,CB-SW4,YEL,A-1,-,-,-,L597*W453*H245,-	SNA
BN92-00346J	-	ASSY P/MATERIAL	NK17AS	SNA
0203-001100	CIS	TAPE-OPP MASKING	OPP/W75/CLR,TO.05,W75,L800000,CLR	SNA
BH69-00457A	CIS	PACKING-PAD	GH17,FOAM,T3.0,1180,1130	SNA
BH69-30355E	CIS	BAG-PE/N	NK15,PE FOAM,0.5,650,650,NTR	SNA
BH69-40318A	CIS	PACKING-PALLET	,WOODEN,W934,L1220,H120	SNA
BH69-40321J	CIS	PACKING-PAD EDGE	PN15VT,B400,-,-,W140,L1154,-,-,-,SKD	SNA
BH69-40379A	CIS	PACKING-WRAP	LDPE,W500*TO.02,-,-	SNA
BN68-00129A	CIS	LABEL SHIPPING	-,LABEL SHIPPING,ART-PAPER,100G,-,WHT,BLACK,-,-,-	SNA
BN69-00140T	CIS	PAD-PALLET COVER	SUN(LSA810),SW,900,3760,-,-,-,-,-	SNA
BN69-00248A	CIS	CUSHION-L/R	NIKE 17",EPS,-,-,50M,-,-,-,-	SNA
BN92-00416Y	-	ASSY ACCESSORY	GH18PSAN/EDC,EDC,NETHERLANDS,10LANG.(CD)	SNA
BN44-00063A	CIS	ADAPTOR	AD-4914N,EOS17,100-240VAC,47 - 63 HZ,+14VDC,3.5A,-,49W,-,0 TO +40 C,120*63*31,SA	
BN96-00050Y	CIS	ASSY ACCESSORY	GG15LS	SNA
0203-000214	CIS	TAPE-OPP MASKING	OPP/W50/CLR,TO.05,W50,L400000,	SNA
4301-000121	CIS	BATTERY-MN	1.5V,-,AAA,10.5x44.5m,HOLDER	SNA
6801-001009	CIS	CARD-WARRANTY	EUROPE(12),8	SNA
6801-001014	CIS	CARD-REGISTRATION	XEU,ENG,MOJO100,L150,W392,-,-	SNA
6801-001015	CIS	CARD-REGISTRATION	XEG,GERMAN,MOJO100,L150,W392,-,-	SNA
6801-001016	CIS	CARD-REGISTRATION	XEF,FRENCH,MOJO100,L150,W392,-,-	SNA
6801-001017	CIS	CARD-REGISTRATION	XEC,SPANISH,MOJO100,L150,W392,-,-	SNA
6801-001019	CIS	CARD-REGISTRATION	XEN,DUTCH,MOJO100,L150,W392,-,-	SNA
6801-001020	CIS	CARD-REGISTRATION	XEP,PORTUGAL,MOJO100,L150,W392,-,-	SNA
BH39-10339H	CIS	CBF POWER CORD	DET,H05VV-F,250V/10,16A,BLK,25	
BH39-40355W	CIS	CBF-HARNESS	-,2000MM,IVORY,-,-,-	
BH69-30348D	CIS	BAG-PE	LDPE,TO.05,W240*L356,Y,-,CMG73	SNA
BN39-00043A	CIS	CBF SIGNAL	DETACHABLE,-,15P/15P,-,-,-	
BN59-00225A	CIS	REMOCON	-,TM71,NIKE,41,GR20,BLUE,PAL,-,-,-,-	
BN68-00248B	CIS	MANUAL USERS-03	LT15N13W,LT17N13W,SAMSUNG,E/F/S/G/P/I/SW,EDC,MIMOJ080G,148,210	
BN92-00619H	-	ASSY LABEL	LW17N13WX/XEC	SNA
AA68-50502A	CIS	LABEL-CONFORMATION	W/P100(G),CTV,ITALY,170x110,BL	SNA
BN68-00243B	CIS	LABEL RATING	NK17AS,EDC,PE,TO.05,90,45,SYNC,-,-,PE NATURE,-,-	SNA

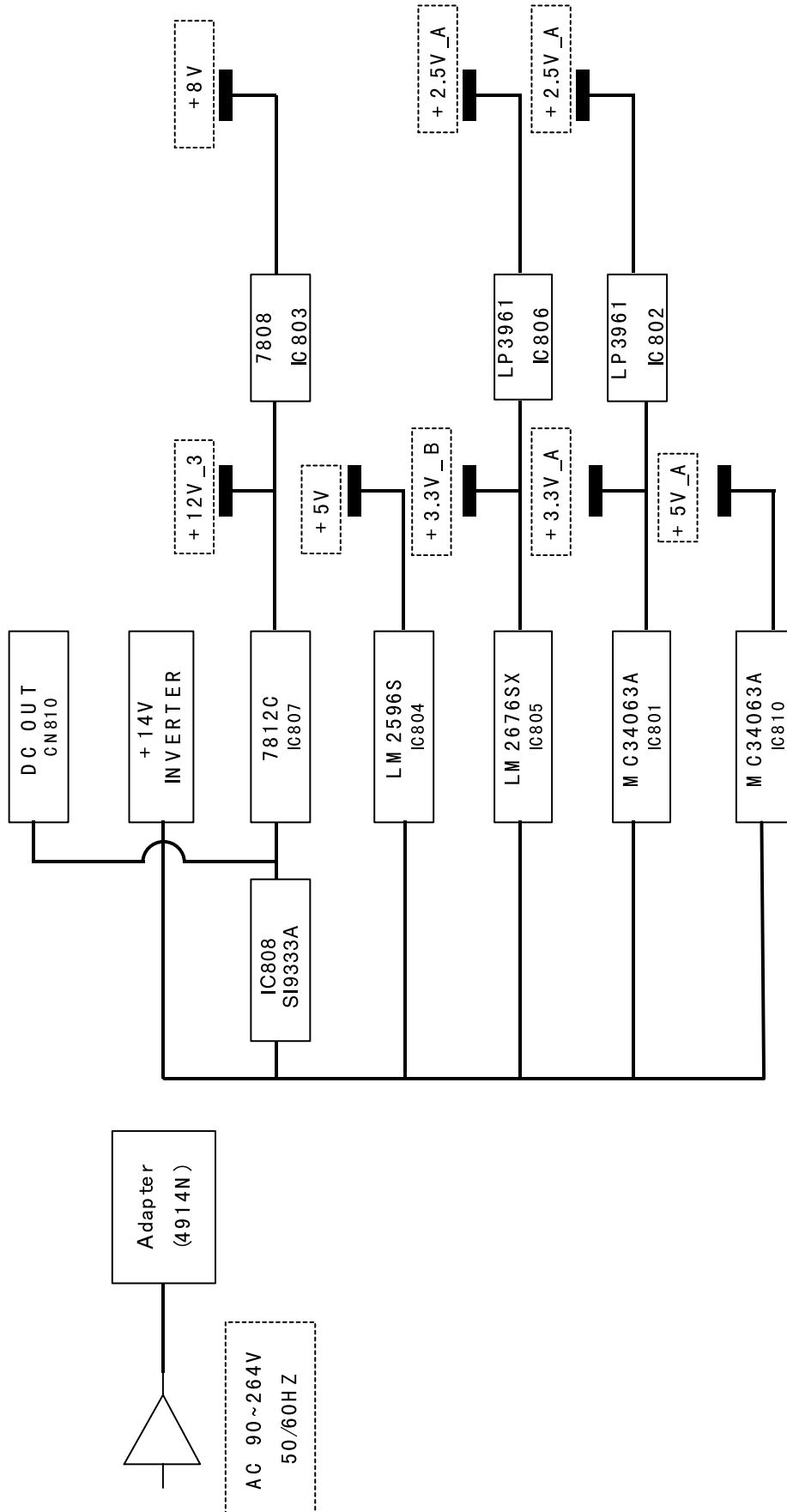


# 8 Block Diagram

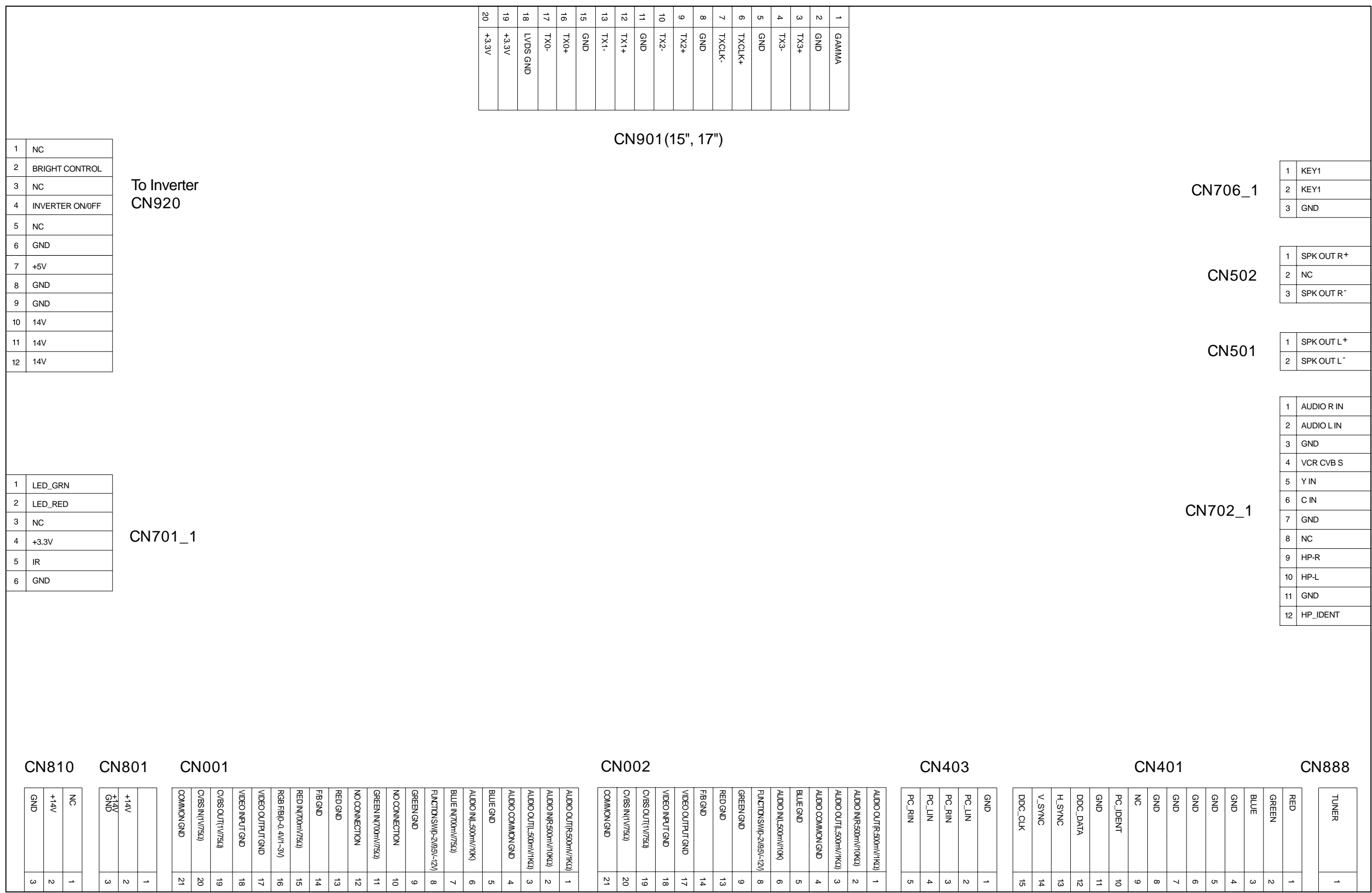
## 8-1 NK15A\*/NK17A\*



8-2 NK15A\*/NK17A\*



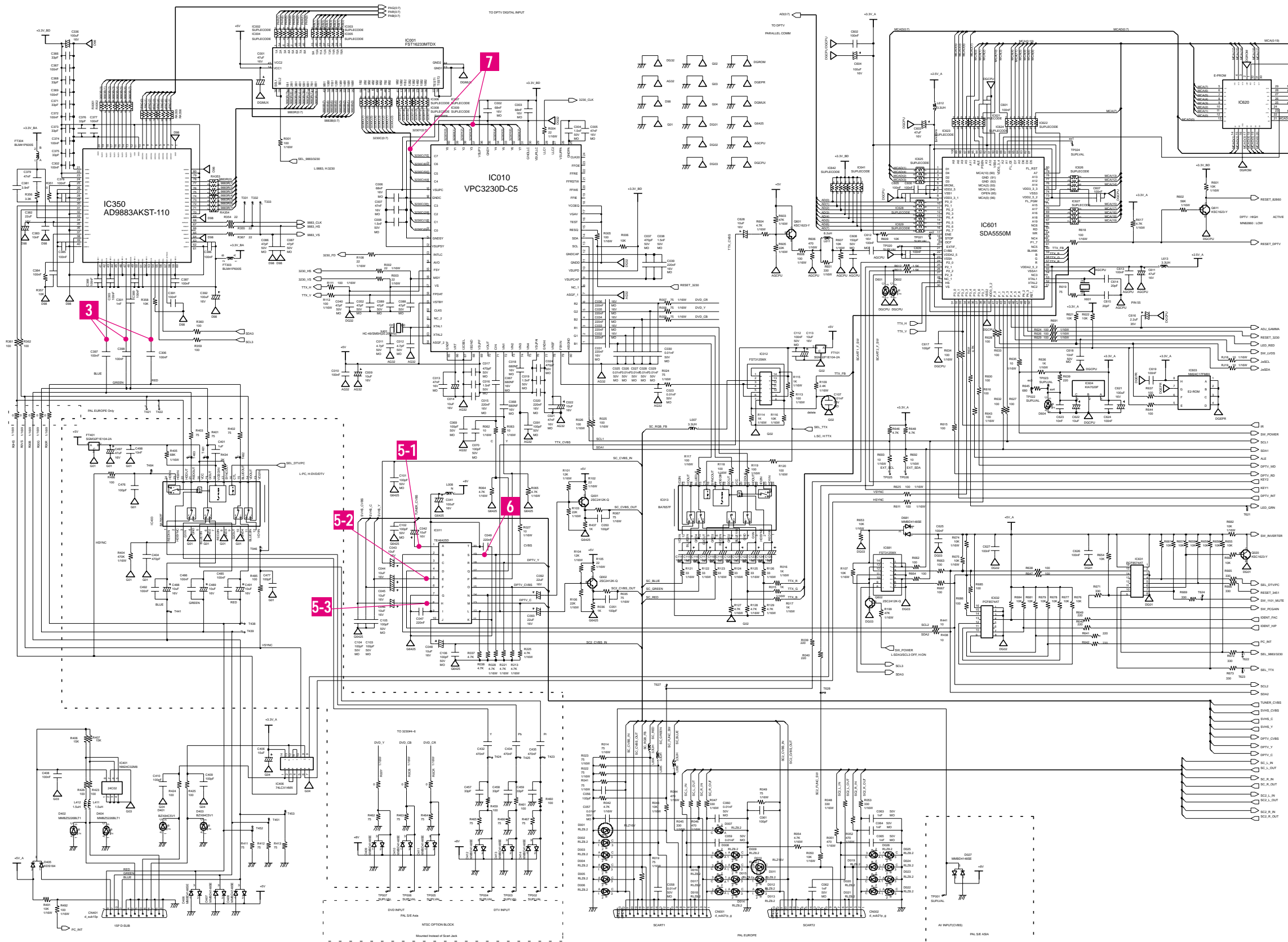
9 Wiring Diagram

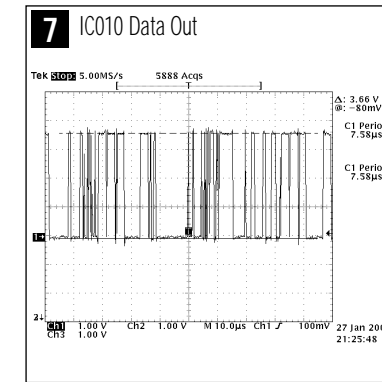
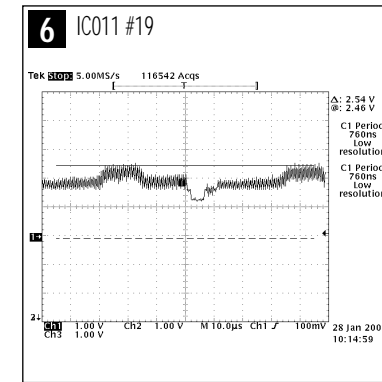
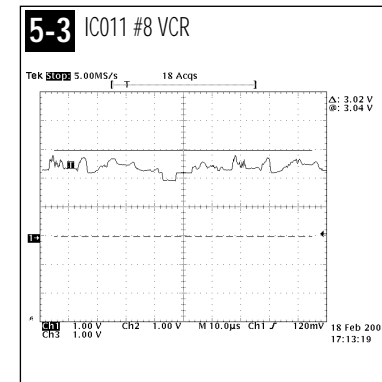
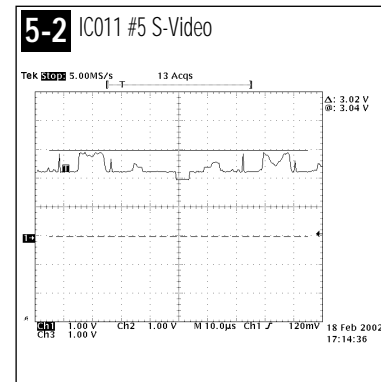
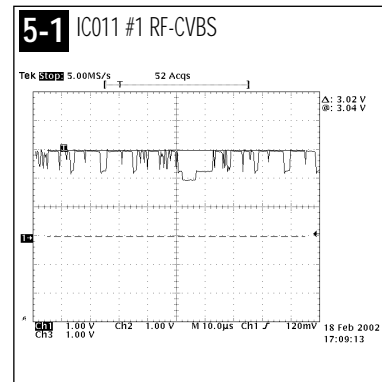
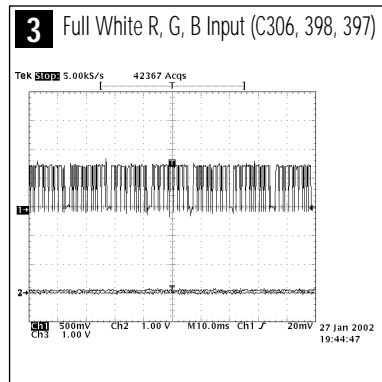


**Memo**

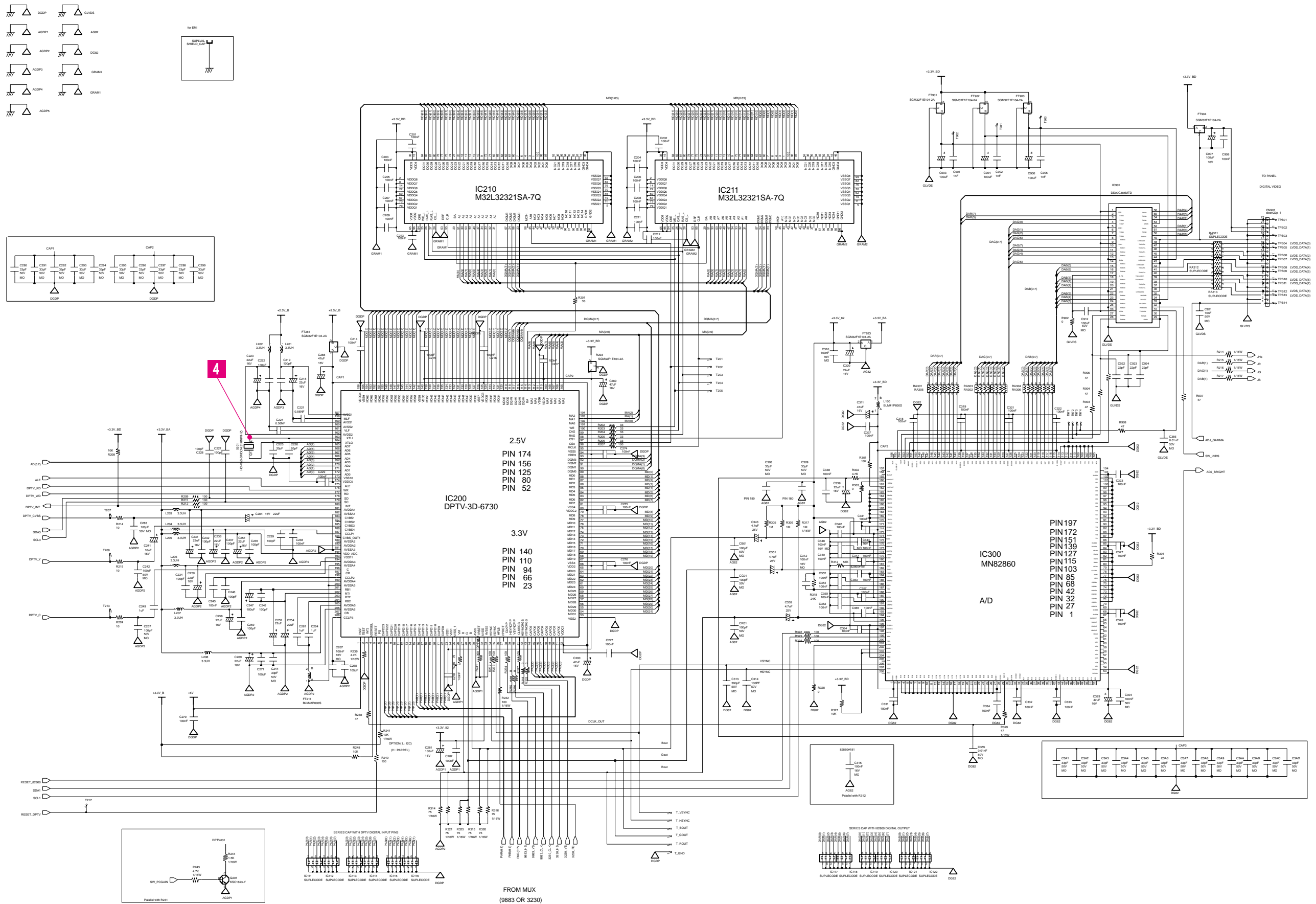
# 10 Schematic Diagrams

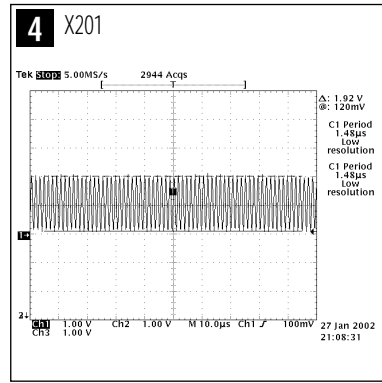
## 10-1 CPU Block & Signal Processing Part Schematic Diagram





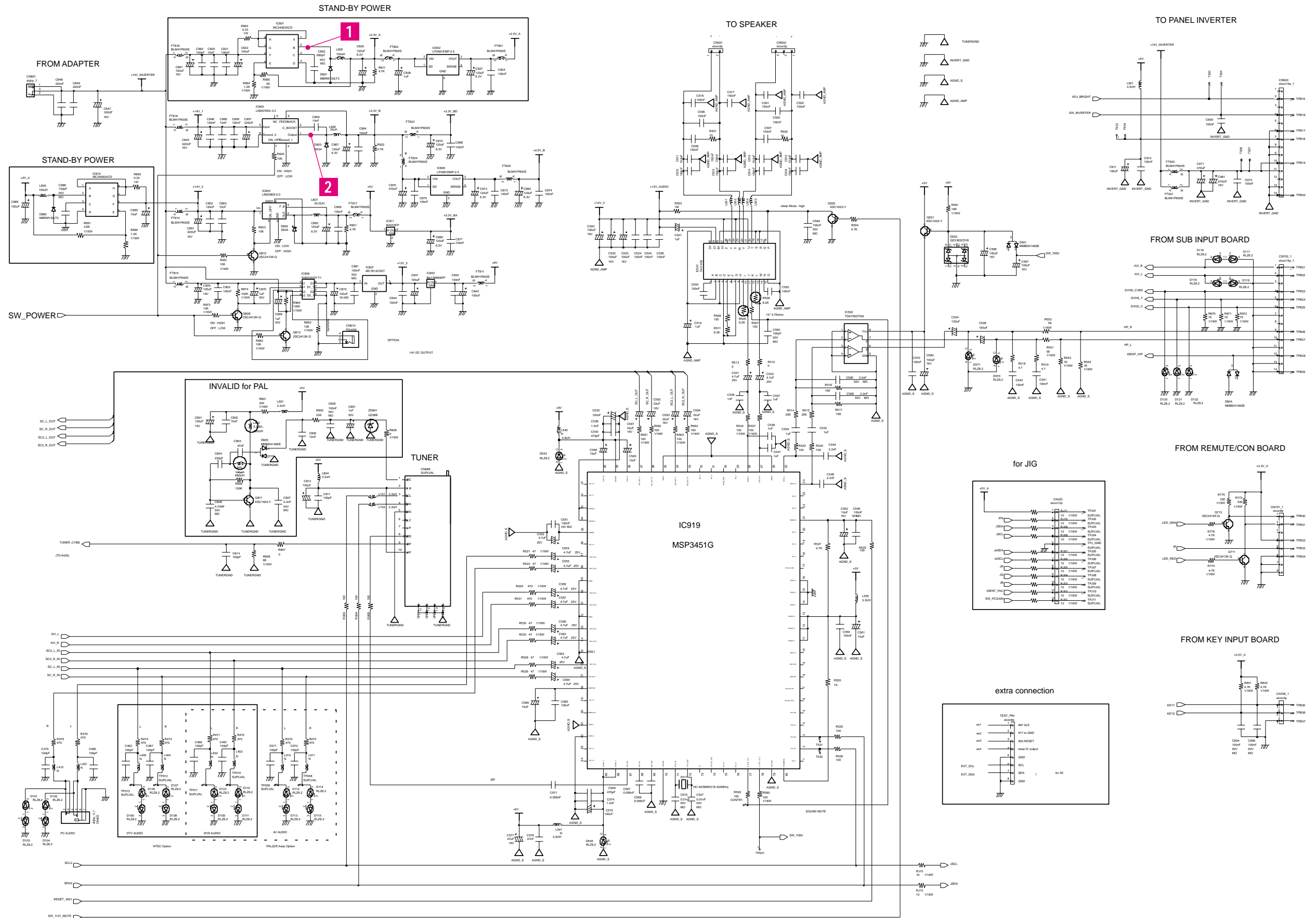
10-2 SCALER & Digital Output Part Schematic Diagram

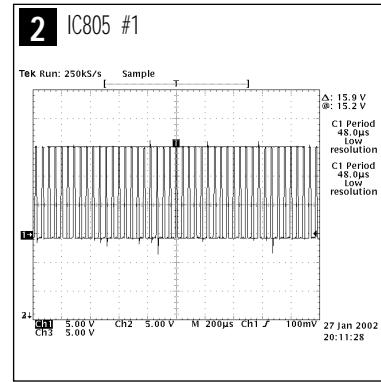
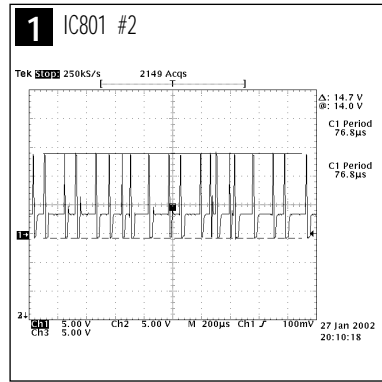






### 10-3 DC Power Input, Sound, Tuner, ETC Part Schematic Diagram







**Samsung Electronics Co.,Ltd.**

416, Maetan-3Dong, Paldal-Gu, Suwon City, Kyungki-Do, Korea.

Printed in Korea

P/N : BN81-00027C-00

<http://www.samsungmonitor.com> (SyncMaster Worldwide)

<http://www.samsung-monitor.com> (SyncMaster USA)

<http://www.sec.co.kr/monitor> (Korea)