

PRELIMINARY

NLT Technologies, Ltd.

TFT COLOR LCD MODULE

NL12876AC18-03

27cm (10.6 Type)

WXGA

LVDS interface (1port)

PRELIMINARY DATA SHEET

DOD-MDA-0565 (5th edition)

This PRELIMINARY DATA SHEET is updated document from DOD-MDA-0537.

All information is subject to change without notice. Please confirm the sales representative before starting to design your system.

INTRODUCTION

The Copyright to this document belongs to NLT Technologies, Ltd. (hereinafter called "NLT"). No part of this document will be used, reproduced or copied without prior written consent of NLT.

NLT does and will not assume any liability for infringement of patents, copyrights or other intellectual property rights of any third party arising out of or in connection with application of the products described herein except for that directly attributable to mechanisms and workmanship thereof. No license, express or implied, is granted under any patent, copyright or other intellectual property right of NLT.

Some electronic parts/components would fail or malfunction at a certain rate. In spite of every effort to enhance reliability of products by NLT, the possibility of failures and malfunction might not be avoided entirely. To prevent the risks of damage to death, human bodily injury or other property arising out thereof or in connection therewith, each customer is required to take sufficient measures in its safety designs and plans including, but not limited to, redundant system, fire-containment and anti-failure.

The products are classified into three quality grades: "**Standard**", "**Special**", and "**Specific**" of the highest grade of a quality assurance program at the choice of a customer. Each quality grade is designed for applications described below. Any customer who intends to use a product for application other than that of Standard quality grade is required to contact an NLT sales representative in advance.

The **Standard** quality grade applies to the products developed, designed and manufactured in accordance with the NLT standard quality assurance program, which are designed for such application as any failure or malfunction of the products (sets) or parts/components incorporated therein a customer uses are, directly or indirectly, free of any damage to death, human bodily injury or other property, like general electronic devices.

Examples: Computers, office automation equipment, communications equipment, test and measurement equipment, audio and visual equipment, home electronic appliances, machine tools, personal electronic equipment, industrial robots, etc.

The **Special** quality grade applies to the products developed, designed and manufactured in accordance with an NLT quality assurance program stricter than the standard one, which are designed for such application as any failure or malfunction of the products (sets) or parts/components incorporated therein a customer uses might directly cause any damage to death, human bodily injury or other property, or such application under more severe condition than that defined in the Standard quality grade without such direct damage.

Examples: Control systems for transportation equipment (automobiles, trains, ships, etc.), traffic control systems, anti-disaster systems, anti-crime systems, medical equipment not specifically designed for life support, safety equipment, etc.

The **Specific** quality grade applies to the products developed, designed and manufactured in accordance with the standards or quality assurance program designated by a customer who requires an extremely higher level of reliability and quality for such products.

Examples: Military systems, aircraft control equipment, aerospace equipment, nuclear reactor control systems, medical equipment/devices/systems for life support, etc.

The quality grade of this product is the "**Standard**" unless otherwise specified in this document.

PRELIMINARY

CONTENTS

INTRODUCTION	2
1. OUTLINE	4
1.1 STRUCTURE AND PRINCIPLE	4
1.2 APPLICATION	4
1.3 FEATURES	4
2. GENERAL SPECIFICATIONS	5
3. BLOCK DIAGRAM	6
4. DETAILED SPECIFICATIONS	7
4.1 MECHANICAL SPECIFICATIONS	7
4.2 ABSOLUTE MAXIMUM RATINGS	7
4.3 ELECTRICAL CHARACTERISTICS	8
4.3.1 LCD panel signal processing board	8
4.3.2 Backlight	9
4.3.3 Power supply voltage ripple	9
4.3.4 Fuse	9
4.4 POWER SUPPLY VOLTAGE SEQUENCE	10
4.4.1 LCD panel	10
4.4.2 LED Driver	10
4.5 CONNECTIONS AND FUNCTIONS FOR INTERFACE PINS	11
4.5.1 LCD panel signal processing board	11
4.5.2 Positions of plug and socket	12
4.5.4 Connection between receiver and transmitter for LVDS	13
4.5.5 Input data mapping	16
4.6 DISPLAY COLORS AND INPUT DATA SIGNALS	17
4.6.1 Combinations of input data signals, FRC and MSL signal	17
4.6.2 16,777,216 colors	18
4.6.3 262,144 colors	19
4.7 DISPLAY POSITIONS	20
4.8 DISPLAY DIRECTIONS	20
4.9 INPUT SIGNAL TIMINGS	21
4.9.1 Outline of input signal timings	21
4.9.2 Timing characteristics	22
4.9.3 Input signal timing chart	23
4.10 OPTICS	24
4.10.1 Optical characteristics	24
4.10.2 Definition of contrast ratio	25
4.10.3 Definition of luminance uniformity	25
4.10.4 Definition of response times	25
4.10.5 Definition of viewing angles	25
5. ESTIMATED LUMINANCE LIFETIME	26
6. RELIABILITY TESTS	27
7. PRECAUTIONS	28
7.1 MEANING OF CAUTION SIGNS	28
7.2 CAUTIONS	28
7.3 ATTENTIONS	28
7.3.1 Handling of the product	28
7.3.2 Environment	29
7.3.3 Characteristics	29
7.3.4 Others	29
8. OUTLINE DRAWINGS	30
8.1 FRONT VIEW	30
8.2 REAR VIEW	31
REVISION HISTORY	32

1. OUTLINE

1.1 STRUCTURE AND PRINCIPLE

Color LCD module NL12876AC18-03 is composed of the amorphous silicon thin film transistor liquid crystal display (a-Si TFT LCD) panel structure with driver LSIs for driving the TFT (Thin Film Transistor) array and a backlight.

The a-Si TFT LCD panel structure is injected liquid crystal material into a narrow gap between the TFT array glass substrate and a color-filter glass substrate.

Color (Red, Green, Blue) data signals from a host system (e.g. signal generator, etc.) are modulated into best form for active matrix system by a signal processing circuit, and sent to the driver LSIs which drive the individual TFT arrays.

The TFT array as an electro-optical switch regulates the amount of transmitted light from the backlight assembly, when it is controlled by data signals. Color images are created by regulating the amount of transmitted light through the TFT array of red, green and blue dots.

1.2 APPLICATION

- For industrial use

1.3 FEATURES

- Ultra Wide viewing angle (Adoption of Ultra-Advanced Super Fine TFT (UA-SFT))
- Narrow frame
- LED backlight type
- LED driver Built-in (Wide input voltage range)
- Wide temperature range
- LVDS interface
- Reversible-scan direction
- Selectable 8bit or 6bit digital signals for data of RGB
- Replaceable lamp holder for backlight
- ColorXcell technology (Color Enhancement)

PRELIMINARY

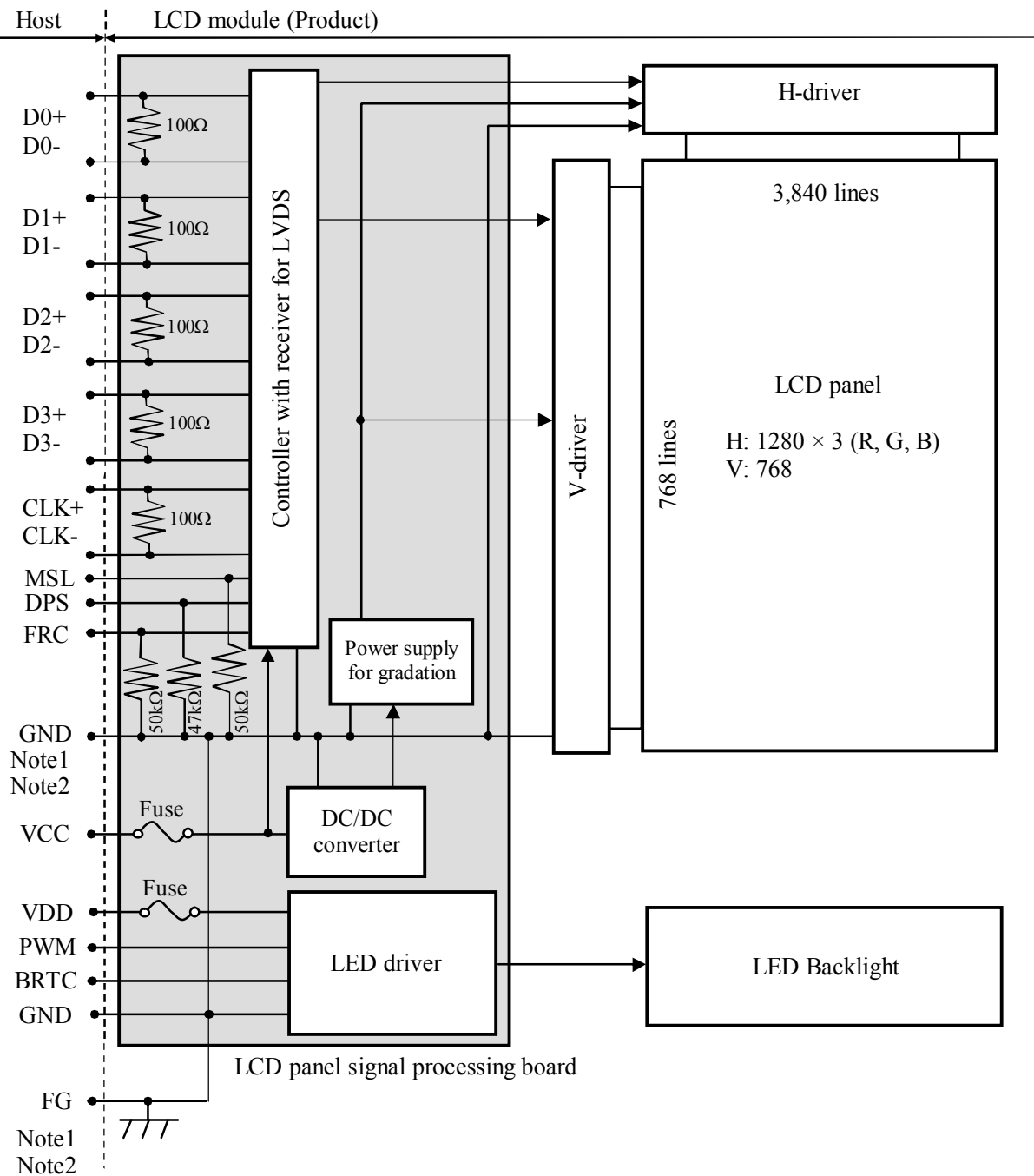
2. GENERAL SPECIFICATIONS

Display area	230.4 (H) × 138.24 (V) mm
Diagonal size of display	27cm (10.6 inches)
Drive system	a-Si TFT active matrix
Display color	16,777,216 colors (At 8-bit input, FRC terminal= High) 262,144 colors (At 6-bit input, FRC terminal= Low or Open)
Pixel	1280 (H) × 768 (V) pixels
Pixel arrangement	RGB (Red dot, Green dot, Blue dot) vertical stripe
Dot pitch	0.06 (H) × 0.18 (V) mm
Pixel pitch	0.18 (H) × 0.18 (V) mm
Module size	248.8 mm (W) (typ.) × 155.8 mm (H) (typ.) × 6.5 (D) mm (typ.)
Weight	270 g (typ.)
Contrast ratio	1000:1 (typ.)
Viewing angle	At the contrast ratio ≥10:1 <ul style="list-style-type: none"> • Horizontal: Right side 88° (typ.), Left side 88° (typ.) • Vertical: Up side 88° (typ.), Down side 88° (typ.)
Designed viewing direction	<ul style="list-style-type: none"> • Viewing angle with optimum grayscale ($\gamma=2.2$): Normal axis (perpendicular)
Polarizer surface	Clear
Polarizer pencil-hardness	3H (min.) [by JIS K5600]
Color gamut	At LCD panel center 40% (typ.) [against NTSC color space]
Response time	Ton+ Toff (10%←→90%) 25ms (typ.)
Luminance	At the maximum luminance control 300cd/m ² (typ.)
Signal system	LVDS 1port (Receiver: THC63LVDF84B, Thine Electronics Inc. or equivalent) [8bit/6bit digital signals for data of RGB colors, Dot clock (CLK), Data enable (DE), Selection of LVDS input map (MSL)]
Power supply voltage	LCD panel: 3.3V LED backlight: 5V to 12V
Backlight	LED backlight type (Replaceable part • Lamp holder set: Type No. TBD)
Power consumption	At the maximum luminance control, VDD= 12.0V, Checkered flag pattern (3.2) W (typ.)

5

5

3. BLOCK DIAGRAM



Note1: Relations between GND (Signal ground and LED driver ground) and FG (Frame ground) in the LCD module are as follows.

GND - FG	Connected
----------	-----------

Note2: GND and FG must be connected to customer equipment's ground, and it is recommended that these grounds be connected together in customer equipment.

PRELIMINARY

4. DETAILED SPECIFICATIONS

4.1 MECHANICAL SPECIFICATIONS

Parameter	Specification	Unit
Module size	248.8 ± 0.5 (W) × 155.8 ± 0.5 (H) × 6.5 ± 0.5 (D) Note1	mm
Display area	230.4 (H) × 138.24 (V) Note1	mm
Weight	270(typ.), 295(max.)	g

Note1: See "8. OUTLINE DRAWINGS".

4.2 ABSOLUTE MAXIMUM RATINGS

Parameter	Symbol	Rating	Unit	Remarks	
Power supply voltage	LCD panel	VCC	-0.3 to +4.0	V	
	LED driver	VDD	-0.3 to 15.0		
Input voltage for signals	Display signals Note1	VD	-0.3 to VCC+0.3	V	-
	Function signals Note2	VF			
	Function signal for LED driver	PWM	-0.3 to +5.5	V	
		BRTC	-0.3 to VDD+1.0	V	
Storage temperature		Tst	-30 to +80	°C	-
Operating temperature	Front surface	TopF	-20 to +70	°C	Note3
	Rear surface	TopR	-20 to +70	°C	Note4
Relative humidity Note5	RH	≤ 95	%	Ta ≤ 40°C	
		≤ 85	%	40°C < Ta ≤ 50°C	
		≤ 55	%	50°C < Ta ≤ 60°C	
		≤ 36	%	60°C < Ta ≤ 70°C	
Absolute humidity Note5	AH	≤ 70 Note6	g/m ³	Ta > 70°C	

Note1: D0+/-, D1+/-, D2+/-, D3+/- and CLK+/-

Note2: FRC, DPS and MSL

Note3: Measured at LCD panel surface (including self-heat)

Note4: Measured at LCD module's rear shield surface (including self-heat)

Note5: No condensation

Note6: Water amount at Ta= 70°C and RH= 36%

PRELIMINARY

4.3 ELECTRICAL CHARACTERISTICS

4.3.1 LCD panel signal processing board

(Ta= 25°C)

Parameter	Symbol	min.	typ.	max.	Unit	Remarks	
Power supply voltage	VCC	3.0	3.3	3.6	V	-	
Power supply current	ICC	-	400 Note1	700 Note2	mA	at VCC= 3.3V	
Permissible ripple voltage	VRPC	-	-	100	mVp-p	for VCC	
Differential input threshold voltage	High	VTH	-	-	+100	mV	at VCM= 1.2V Note3
	Low	VTL	-100	-	-	mV	
Terminating resistance	RT	-	100	-	Ω	-	
Input voltage for DPS,FRC and MSL signals	High	VFH	0.7VCC	-	VCC	V	CMOS level
	Low	VFL	0	-	0.3VCC	V	
Input current for FRC and MSL signal	High	IFH	-	-	300	μA	-
	Low	IFL	-300	-	-	μA	

Note1: Checkered flag pattern [by EIAJ ED-2522]

Note2: Pattern for maximum current

Note3: Common mode voltage for LVDS receiver

PRELIMINARY

5 4.3.2 Backlight (Ta= 25°C) 5

Parameter	Symbol	min.	typ.	max.	Unit	Remarks	
Power supply voltage	VDD	4.75	-	12.6	V	Note1	
Power supply current Note3	IDD	-	(160)	(195) Note2	mA	at VCC=12.0V Note6	
		-	TBD	TBD Note2	mA	at VCC= 5.0V Note6	
Permissible ripple voltage	VRPD	-	-	100	mVp-p	for VDD	
Input voltage for PWM signal	High	VDFH1	2.0	-	5.0	V	-
	Low	VDFL1	0	-	0.8	V	
Input voltage for BRTC signal	High	VDFH2	2.0	-	VDD	V	-
	Low	VDFL2	0	-	0.8	V	
PWM frequency	f _{PWM}	(100)	-	(500)	Hz	Note4, Note5	
PWM pulse width	t _{PWH}	(20)	-	-	μs	-	

Note1: When designing of the power supply, take the measures for the prevention of surge voltage.

Note2: This value excludes peak current such as overshoot current.

Note3: The power supply lines (VDD and GND) may have ripple voltage during luminance control of LED. There is the possibility that the ripple voltage produces acoustic noise and signal wave noise in audio circuit and so on. Put a capacitor between the power supply lines (VDD and GND) to reduce the noise if necessary.

Note4: A recommended f_{PWM} value is as follows.

$$f_{PWM} = \frac{2n-1}{4} \times fv$$

(n = integer, fv = frame frequency of LCD module)

Note5: Depending on the frequency used, so noise may appear on the screen, please conduct a thorough evaluation.

Note6: At the maximum luminance control. 5

4.3.3 Power supply voltage ripple

This product works, even if the ripple voltage levels are over the permissible values as the following table, but there might be noise on the display image.

Power supply voltage	Ripple voltage (Measure at input terminal of power supply)	Note1	Unit
VCC	3.3V	≤ 100	mVp-p
VDD	5.0V to 12.0V	≤ 100	mVp-p

Note1: The permissible ripple voltage includes spike noise. 5

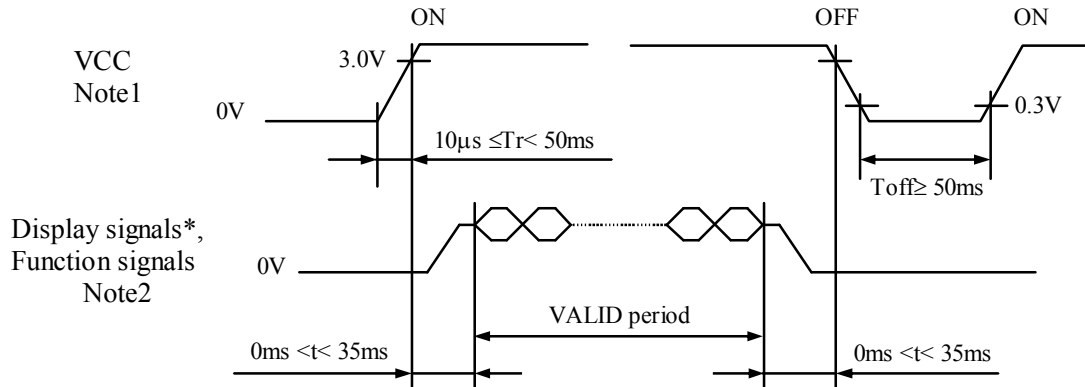
4.3.4 Fuse

Parameter	Fuse		Rating	Fusing current	Remarks
	Type	Supplier			
VCC	FCC16202AB	KAMAYA ELECTRIC CO., LTD	2A	4A	Note1
			36V		
VDD	TBD	TBD	TBD	TBD	
			TBD		

Note1: The power supply's rated current must be more than the fusing current. If it is less than the fusing current, the fuse may not blow in a short time, and then nasty smell, smoke and so on may occur. 5

4.4 POWER SUPPLY VOLTAGE SEQUENCE

4.4.1 LCD panel



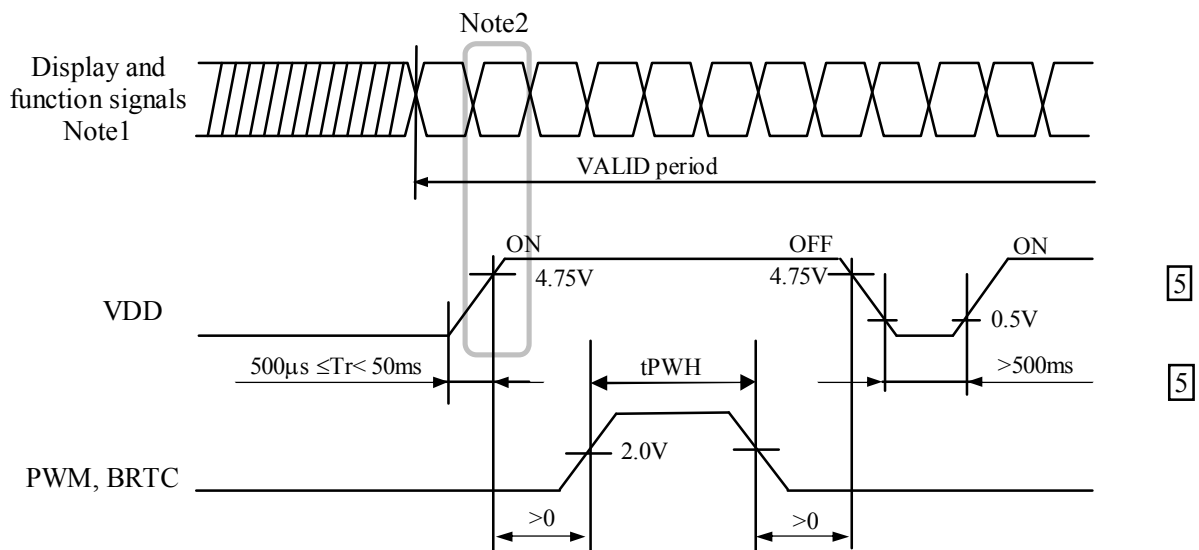
* These signals should be measured at the terminal of 100Ω resistance.

Note1: If there is a voltage variation (voltage drop) at the rising edge of VCC below 3.0V, there is a possibility that a product does not work due to a protection circuit.

Note2: Display signals (D0+/-, D1+/-, D2+/-, D3+/- and CLK+/-) and function signals (DPS, FRC, and MSL) must be set to Low or High-impedance, except the VALID period (See above sequence diagram), in order to avoid the circuitry damage.

If some of display and function signals of this product are cut while this product is working, even if the signal input to it once again, it might not work normally. If a customer stops the display and function signals, VCC also must be shut down.

4.4.2 LED Driver



Note1: These are the display and function signals for LCD panel.

Note2: The LED driver should be turned on within the valid period of display and function signals, in order to avoid unstable data display.

PRELIMINARY

4.5 CONNECTIONS AND FUNCTIONS FOR INTERFACE PINS

4.5.1 LCD panel signal processing board

CN1 socket (LCD module side): DF19L-30P-1H or DF19G-30P-1H (Hirose Electric Co., Ltd. (HRS))
 Adaptable plug: DF19-30S-1C, DF19G-30S-1C (Hirose Electric Co., Ltd. (HRS))

Pin No.	Symbol	Signal	Input data signal: 8bit		Input data signal: 6bit	Remarks
			MAP A	MAP B		
1	N.C.	N.C.	Keep this pin open			-
2	VDD	Power supply for backlight	Power supply for backlight			Note1
3	VDD					
4	GND	Ground	Ground			Note1
5	GND					
6	GND					
7	PWM	Luminance control	Luminance control			-
8	BRTC	Backlight ON/OFF control	Backlight ON/OFF control High or OPEN: ON, Low: OFF			-
9	N.C.	N.C.	Keep this pin Open.			
10	N.C.					
11	MSL	Selection of LVDS input map	Low or Open	High	Low or Open	Note4
12	D0-	Pixel data	R2-R7,G2	R0-R5,G0		Note2
13	D0+					
14	GND	Ground	Ground			Note1
15	D1-	Pixel data	G3-G7,B2-B3	G1-G5,B0-B1		Note2
16	D1+					
17	GND	Ground	Ground			Note1
18	D2-	Pixel data	B4-B7,DE	B2-B5,DE		Note2
19	D2+					
20	GND	Ground	Ground			Note1
21	CLK-	Pixel clock	Pixel clock			Note2
22	CLK+					
23	GND	Ground	Ground			Note1
24	D3- or GND	Pixel data or Ground	R0-R1,G0-G1,B0-B1	R6-R7,G6-G7,B6-B7	Ground	Note1, Note2, Note3
25	D3+ or GND	Pixel data or Ground				
26	FRC	Selection of the number of colors	High		Low or Open	Note3 Note4
27	DPS	Selection of scan direction	High : Low or Open :	Reverse scan Normal scan		Note5
28	GND	Ground	Ground			Note1
29	VCC	Power supply for LCD panel	Power supply for LCD panel			Note1
30	VCC					

Note1: All GND, VCC and VDD terminals should be used without any non-connected lines.

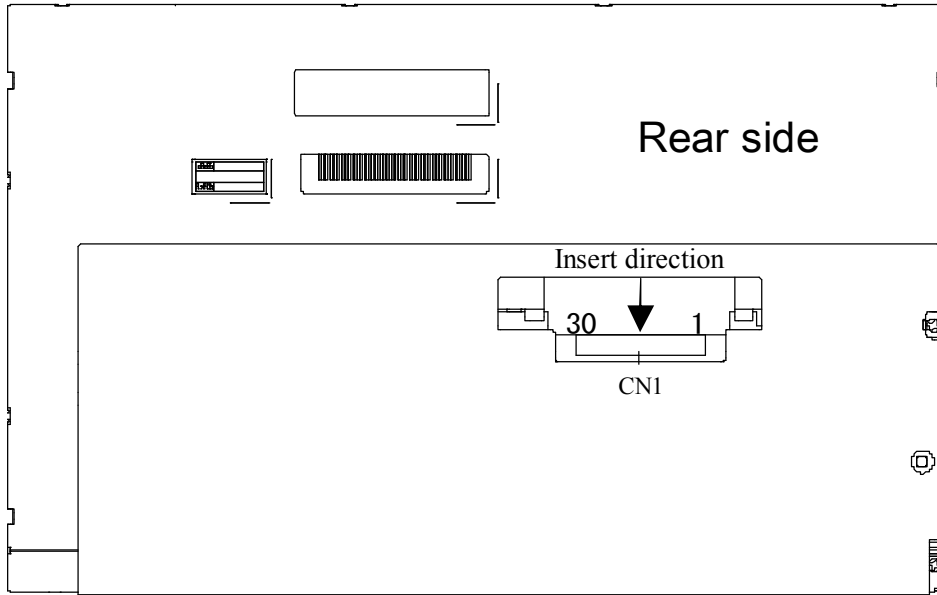
Note2: Twist pair wires with 100Ω (Characteristic impedance) should be used between LCD panel signal processing board and LVDS transmitter.

Note3: See "4.6 DISPLAY COLORS AND INPUT DATA SIGNALS".

Note4: See "4.5.3 Connection between receiver and transmitter for LVDS".

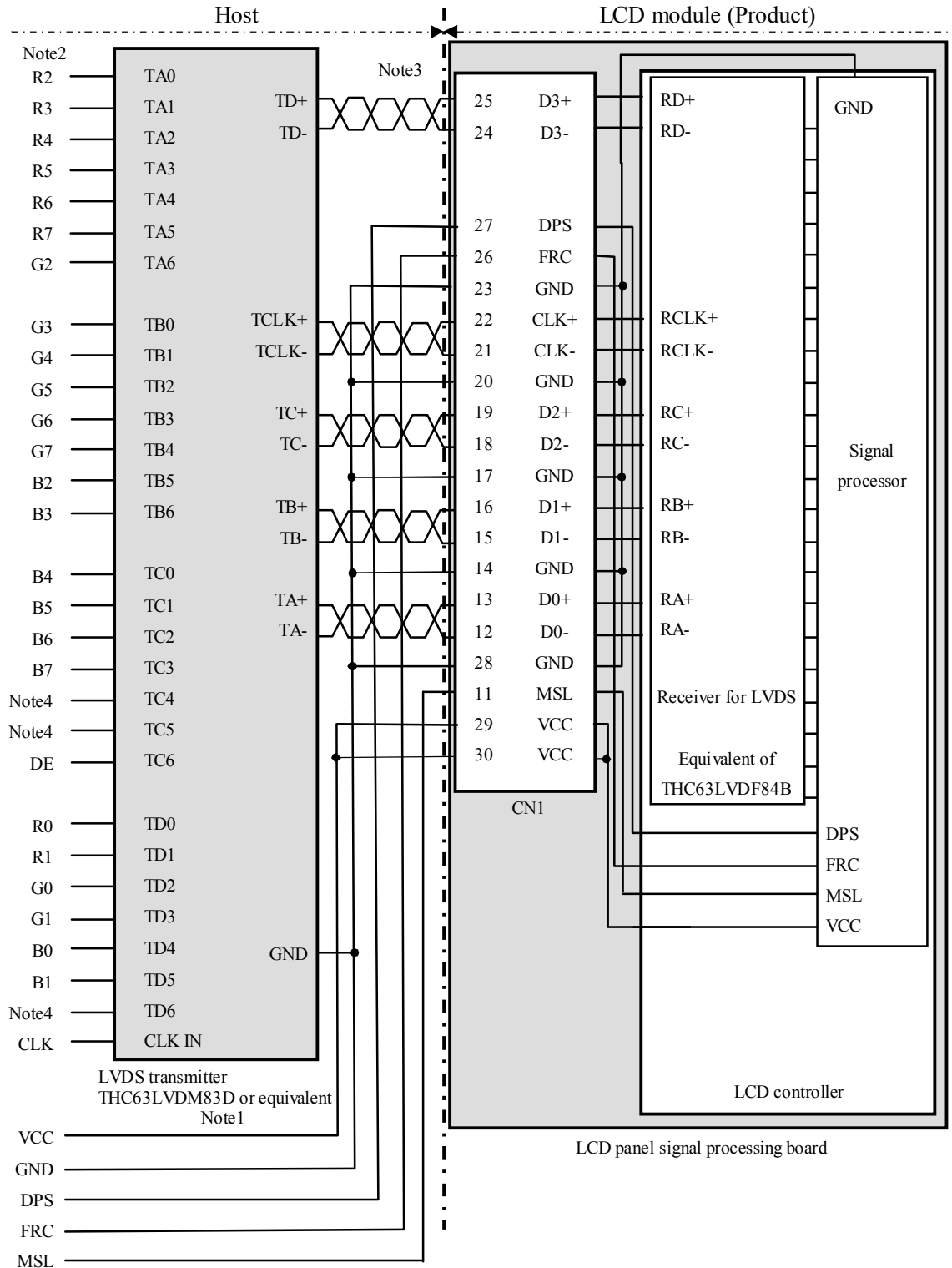
Note5: See "4.8 SCANNING DIRECTIONS".

4.5.2 Positions of plug and socket



4.5.4 Connection between receiver and transmitter for LVDS

(1) LVDS Input data map A



Note1: Recommended transmitter THC63LVDM83D (Thine Electronics Inc.) or equivalent

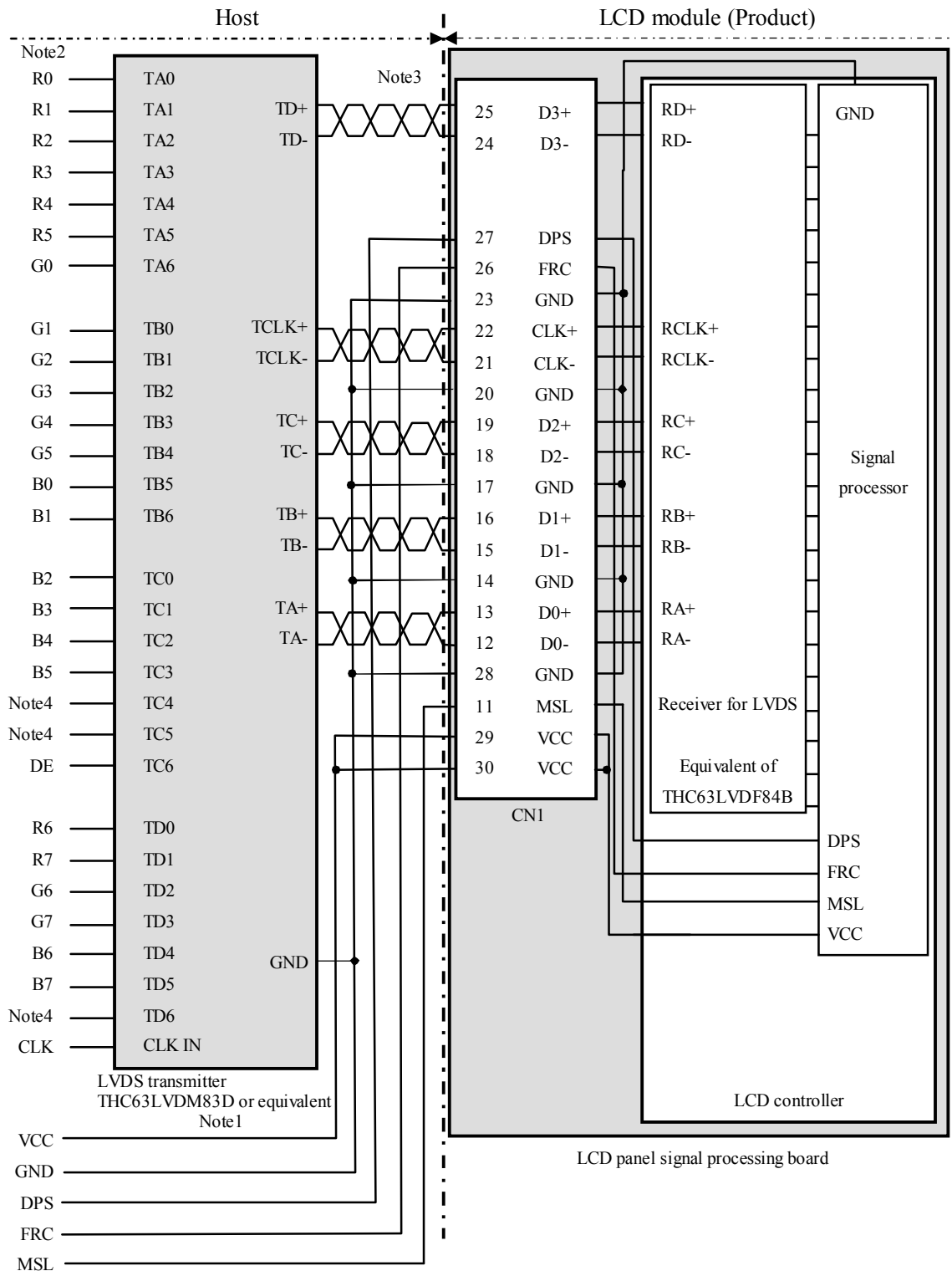
Note2: LSB (Least Significant Bit) - R0, G0, B0 MSB (Most Significant Bit) - R7, G7, B7

Note3: Twist pair wires with 100Ω (Characteristic impedance) should be used between LCD panel signal processing board and LVDS transmitter.

Note4: Input signals to TC4, TC5 and TD6 are not used inside the product, but do not keep TC4, TC5 and TD6 open to avoid noise problem.

PRELIMINARY

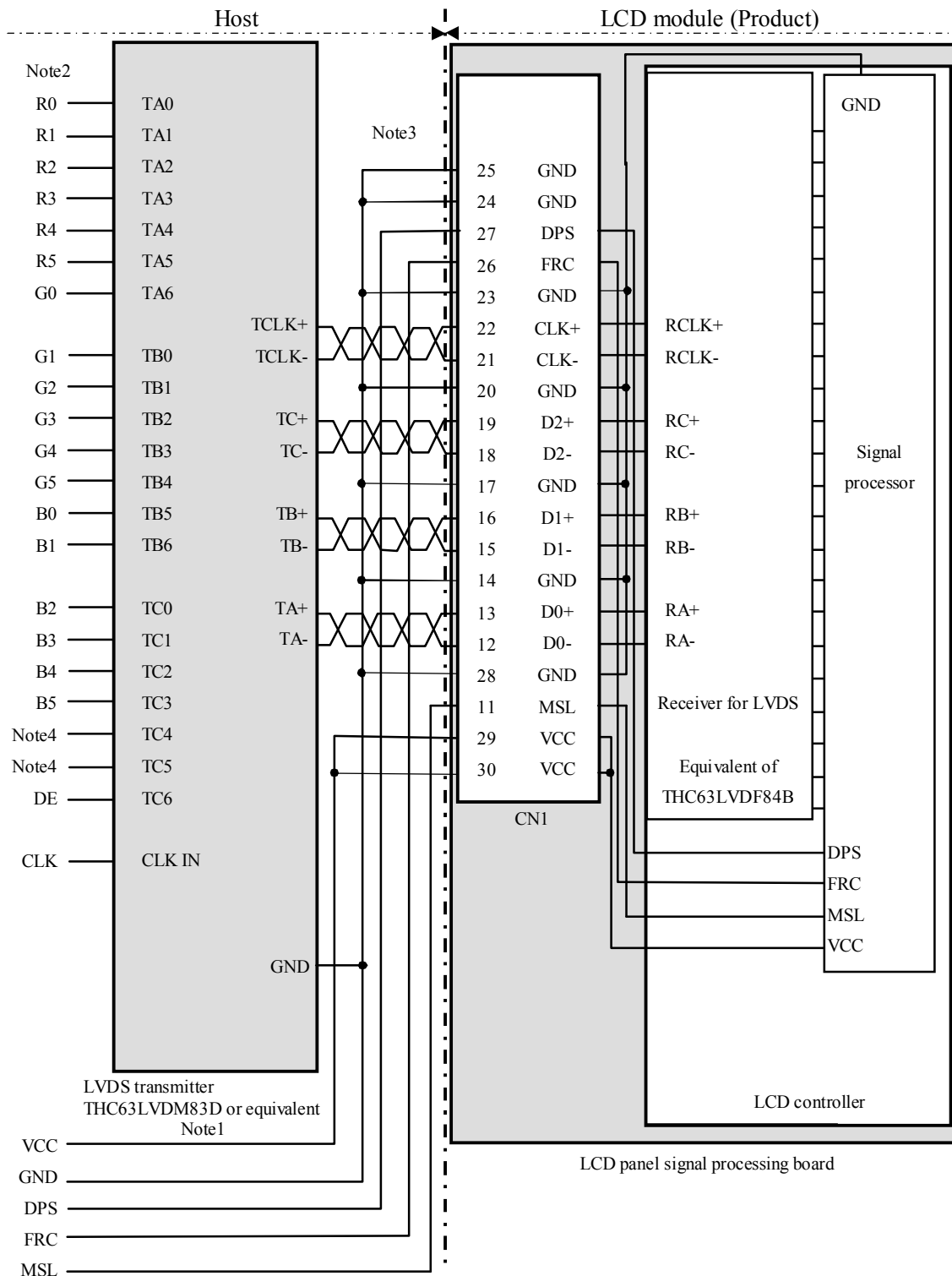
(2) LVDS Input data map B



Note1: Recommended transmitter THC63LVDM83D (THine Electronics Inc.) or equivalent
 Note2: LSB (Least Significant Bit) - R0, G0, B0 MSB (Most Significant Bit) - R7, G7, B7
 Note3: Twist pair wires with 100Ω (Characteristic impedance) should be used between LCD panel signal processing board and LVDS transmitter.
 Note4: Input signals to TC4, TC5 and TD6 are not used inside the product, but do not keep TC4, TC5 and TD6 open to avoid noise problem.

PRELIMINARY

(3) Input data signal: 6bit



Note1: Recommended transmitter THC63LVDM83D (Thine Electronics Inc.) or equivalent

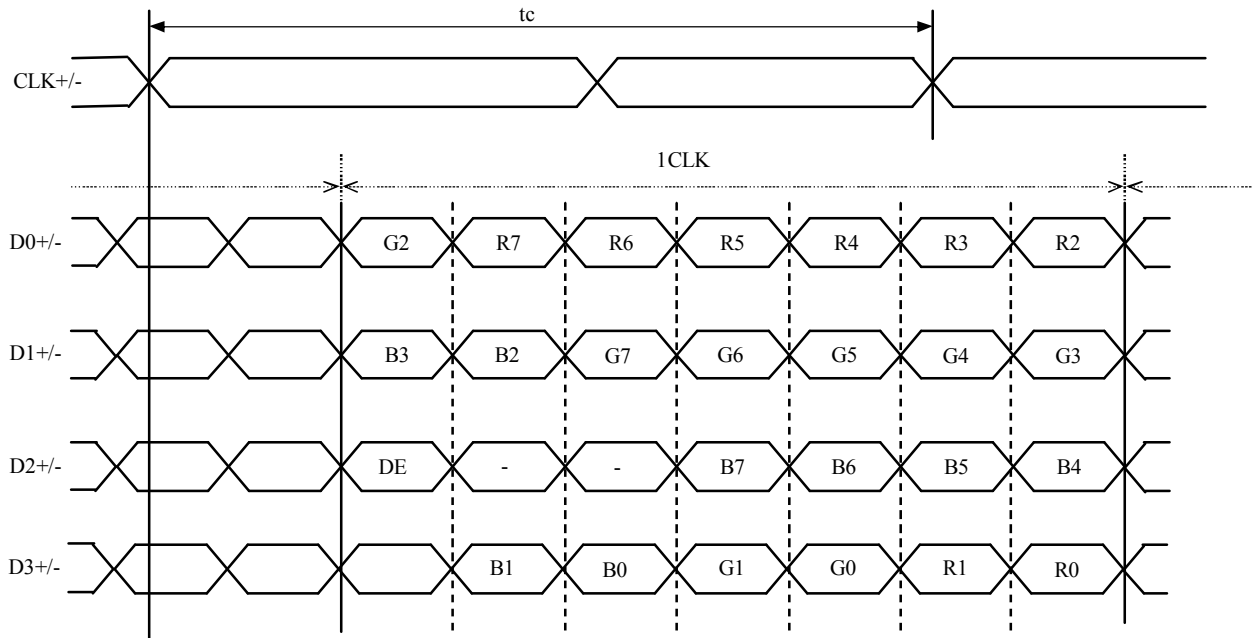
Note2: LSB (Least Significant Bit) – R0, G0, B0 MSB (Most Significant Bit) – R5, G5, B5

Note3: Twist pair wires with 100Ω (Characteristic impedance) should be used between LCD panel signal processing board and LVDS transmitter.

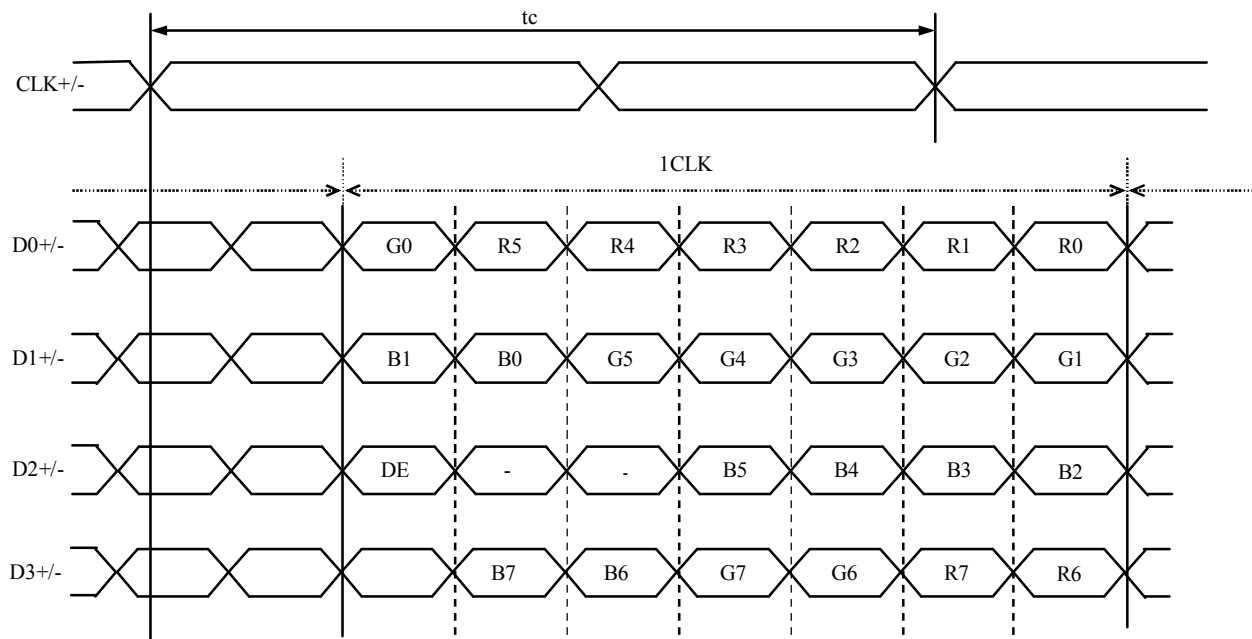
Note4: Input signals to TC4 and TC5 are not used inside the product, but do not keep TC4 and TC5 open to avoid noise problem.

4.5.5 Input data mapping

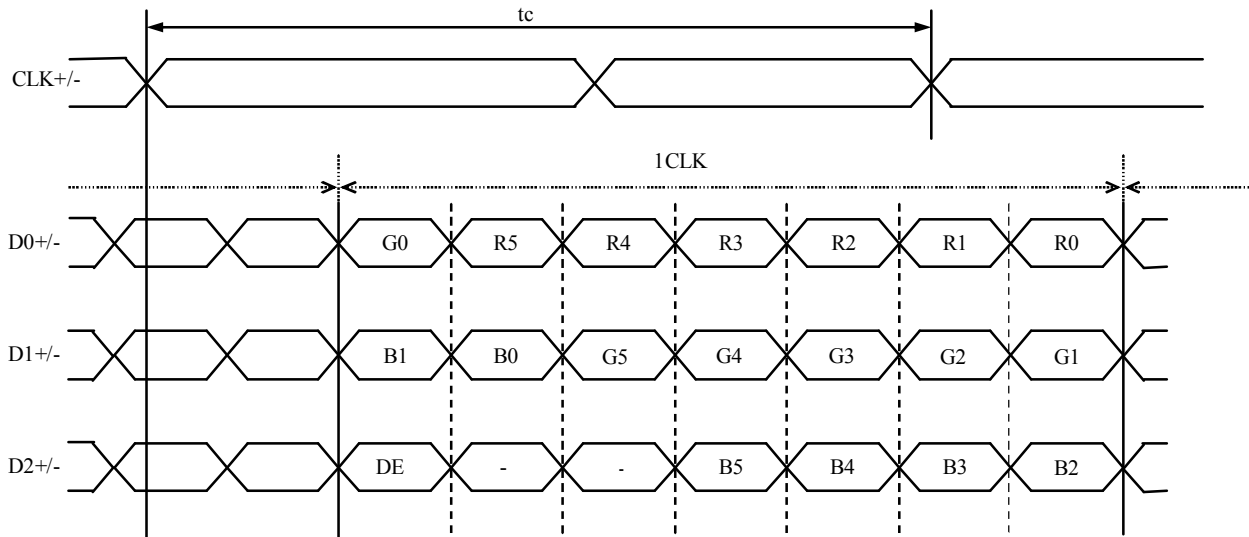
(1) Input data signal: 8bit , MAP A



(2) Input data signal: 8bit , MAP B



(3) Input data signal: 6bit



4.6 DISPLAY COLORS AND INPUT DATA SIGNALS

4.6.1 Combinations of input data signals, FRC and MSL signal

This product can display 16,777,216 colors equivalent with 256 gray scales and 262,144 colors with 64 gray scales by combination of input data signals and FRC and MSL signal. See the following table.

Combination	Input data signals	Input Data mapping	CN1- Pin No.24 and 25	FRC terminal	MSL terminal	Display colors	Remarks
①	8 bit	Map A	D3+/-	High	Low	16,777,216	Note1
②	8 bit	Map B	D3+/-	High	High	16,777,216	Note1
③	6 bit	-	GND	Low or open	Low	262,144	Note2

Note1: See "4.6.2 16,777,216 colors".

Note2: See "4.6.3 262,144 colors".

PRELIMINARY

4.6.2 16,777,216 colors

This product can display 16,777,216 colors equivalent with 256 gray scales by combination ① or ②.
 (See "4.6.1 Combinations of input data signals, FRC and MSL signal".)

Also the relation between display colors and input data signals is as follows.

Display colors		Data signal (0: Low level, 1: High level)																							
		R7	R6	R5	R4	R3	R2	R1	R0	G7	G6	G5	G4	G3	G2	G1	G0	B7	B6	B5	B4	B3	B2	B1	B0
Basic Colors	Black	0	0	0	0	0	0	0	0	0	0	0	0	0	0	0	0	0	0	0	0	0	0	0	0
	Blue	0	0	0	0	0	0	0	0	0	0	0	0	0	0	0	0	1	1	1	1	1	1	1	1
	Red	1	1	1	1	1	1	1	1	0	0	0	0	0	0	0	0	0	0	0	0	0	0	0	0
	Magenta	1	1	1	1	1	1	1	1	0	0	0	0	0	0	0	0	1	1	1	1	1	1	1	1
	Green	0	0	0	0	0	0	0	0	1	1	1	1	1	1	1	1	0	0	0	0	0	0	0	0
	Cyan	0	0	0	0	0	0	0	0	1	1	1	1	1	1	1	1	1	1	1	1	1	1	1	1
	Yellow	1	1	1	1	1	1	1	1	1	1	1	1	1	1	1	1	0	0	0	0	0	0	0	0
	White	1	1	1	1	1	1	1	1	1	1	1	1	1	1	1	1	1	1	1	1	1	1	1	1
Red gray scale	Black	0	0	0	0	0	0	0	0	0	0	0	0	0	0	0	0	0	0	0	0	0	0	0	0
		0	0	0	0	0	0	0	1	0	0	0	0	0	0	0	0	0	0	0	0	0	0	0	0
	dark	0	0	0	0	0	0	1	0	0	0	0	0	0	0	0	0	0	0	0	0	0	0	0	0
	↑																								
	↓																								
bright	1	1	1	1	1	1	0	1	0	0	0	0	0	0	0	0	0	0	0	0	0	0	0	0	
Red	1	1	1	1	1	1	1	1	0	0	0	0	0	0	0	0	0	0	0	0	0	0	0	0	
Green gray scale	Black	0	0	0	0	0	0	0	0	0	0	0	0	0	0	0	0	0	0	0	0	0	0	0	0
		0	0	0	0	0	0	0	0	0	0	0	0	0	0	0	1	0	0	0	0	0	0	0	0
	dark	0	0	0	0	0	0	0	0	0	0	0	0	0	0	1	0	0	0	0	0	0	0	0	0
	↑																								
	↓																								
bright	0	0	0	0	0	0	0	0	1	1	1	1	1	1	0	1	0	0	0	0	0	0	0	0	
Green	0	0	0	0	0	0	0	0	1	1	1	1	1	1	1	1	0	0	0	0	0	0	0	0	
Blue gray scale	Black	0	0	0	0	0	0	0	0	0	0	0	0	0	0	0	0	0	0	0	0	0	0	0	0
		0	0	0	0	0	0	0	0	0	0	0	0	0	0	0	0	0	0	0	0	0	0	0	1
	dark	0	0	0	0	0	0	0	0	0	0	0	0	0	0	0	0	0	0	0	0	0	0	1	0
	↑																								
	↓																								
bright	0	0	0	0	0	0	0	0	0	0	0	0	0	0	0	0	1	1	1	1	1	1	0	1	
Blue	0	0	0	0	0	0	0	0	0	0	0	0	0	0	0	0	1	1	1	1	1	1	1	0	
	0	0	0	0	0	0	0	0	0	0	0	0	0	0	0	0	1	1	1	1	1	1	1	1	

PRELIMINARY

4.6.3 262,144 colors

This product can display 262,144 colors with 64 gray scales by combination ③.

(See "4.6.1 Combinations of input data signals, FRC and MSL signal".)

Also the relation between display colors and input data signals is as follows.

Display colors		Data signal (0: Low level, 1: High level)																	
		R5	R4	R3	R2	R1	R0	G5	G4	G3	G2	G1	G0	B5	B4	B3	B2	B1	B0
Basic colors	Black	0	0	0	0	0	0	0	0	0	0	0	0	0	0	0	0	0	0
	Blue	0	0	0	0	0	0	0	0	0	0	0	0	1	1	1	1	1	1
	Red	1	1	1	1	1	1	0	0	0	0	0	0	0	0	0	0	0	0
	Magenta	1	1	1	1	1	1	0	0	0	0	0	0	1	1	1	1	1	1
	Green	0	0	0	0	0	0	1	1	1	1	1	1	0	0	0	0	0	0
	Cyan	0	0	0	0	0	0	1	1	1	1	1	1	1	1	1	1	1	1
	Yellow	1	1	1	1	1	1	1	1	1	1	1	1	0	0	0	0	0	0
	White	1	1	1	1	1	1	1	1	1	1	1	1	1	1	1	1	1	1
Red gray scale	Black	0	0	0	0	0	0	0	0	0	0	0	0	0	0	0	0	0	0
		0	0	0	0	0	1	0	0	0	0	0	0	0	0	0	0	0	0
	dark	0	0	0	0	1	0	0	0	0	0	0	0	0	0	0	0	0	0
	↑				⋮														
	↓				⋮														
	bright	1	1	1	1	0	1	0	0	0	0	0	0	0	0	0	0	0	0
	1	1	1	1	1	0	0	0	0	0	0	0	0	0	0	0	0	0	
Red	1	1	1	1	1	1	0	0	0	0	0	0	0	0	0	0	0	0	
Green gray scale	Black	0	0	0	0	0	0	0	0	0	0	0	0	0	0	0	0	0	0
		0	0	0	0	0	0	0	0	0	0	1	0	0	0	0	0	0	0
	dark	0	0	0	0	0	0	0	0	0	1	0	0	0	0	0	0	0	0
	↑				⋮														
	↓				⋮														
	bright	0	0	0	0	0	0	1	1	1	1	0	1	0	0	0	0	0	0
	0	0	0	0	0	0	1	1	1	1	1	0	0	0	0	0	0	0	
Green	0	0	0	0	0	0	1	1	1	1	1	1	0	0	0	0	0	0	
Blue gray scale	Black	0	0	0	0	0	0	0	0	0	0	0	0	0	0	0	0	0	0
		0	0	0	0	0	0	0	0	0	0	0	0	0	0	0	0	0	1
	dark	0	0	0	0	0	0	0	0	0	0	0	0	0	0	0	0	1	0
	↑				⋮														
	↓				⋮														
	bright	0	0	0	0	0	0	0	0	0	0	0	0	1	1	1	1	0	1
	0	0	0	0	0	0	0	0	0	0	0	0	1	1	1	1	1	0	
Blue	0	0	0	0	0	0	0	0	0	0	0	0	1	1	1	1	1	1	

4.7 DISPLAY POSITIONS

The following table is the coordinates per pixel.

$C(0, 0)$						
R	G	B				
$C(0, 0)$	$C(1, 0)$...	$C(X, 0)$...	$C(1278, 0)$	$C(1279, 0)$
$C(0, 1)$	$C(1, 1)$...	$C(X, 1)$...	$C(1278, 1)$	$C(1279, 1)$
⋮	⋮	⋮	⋮	⋮	⋮	⋮
$C(0, Y)$	$C(1, Y)$...	$C(X, Y)$...	$C(1278, Y)$	$C(1279, Y)$
⋮	⋮	⋮	⋮	⋮	⋮	⋮
$C(0, 766)$	$C(1, 766)$...	$C(X, 766)$...	$C(1278, 766)$	$C(1279, 766)$
$C(0, 767)$	$C(1, 767)$...	$C(X, 767)$...	$C(1278, 767)$	$C(1279, 767)$

4.8 DISPLAY DIRECTIONS

The following figures are seen from a front view.

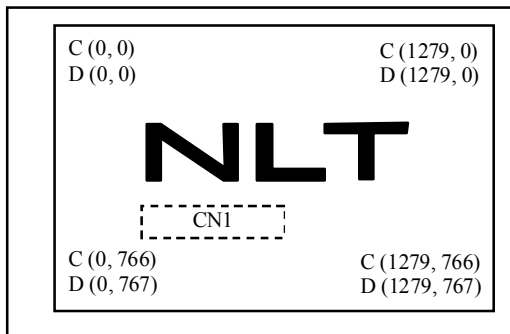


Figure1. Normal scan (DPS: Low or Open)

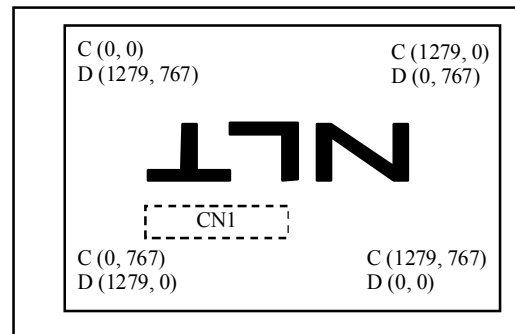


Figure2. Reverse scan (DPS: High)

Note1: Meaning of C (X, Y) and D (X, Y)

C (X, Y): The coordinates of the display position (See "4.7 DISPLAY POSITIONS".)

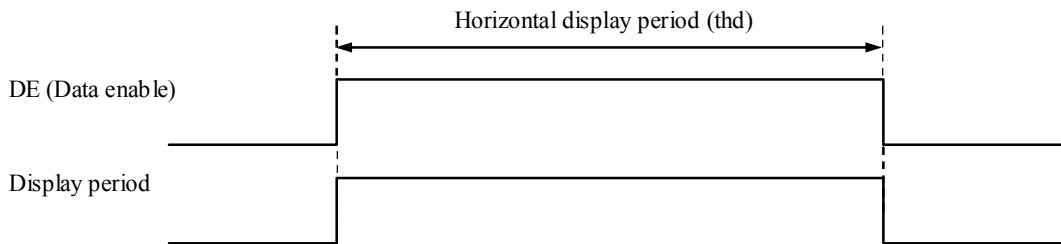
D (X, Y): The data number of input signal for LCD panel signal processing board

4.9 INPUT SIGNAL TIMINGS

4.9.1 Outline of input signal timings

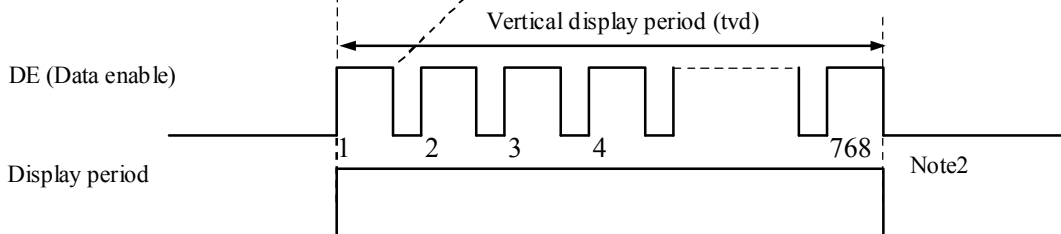
- Horizontal signal

Note1



- Vertical signal

Note1



Note1: This diagram indicates virtual signal for set up to timing.

Note2: See "4.9.3 Input signal timing chart" for the pulse number.

PRELIMINARY

4.9.2 Timing characteristics

(Note1, Note2, Note3)

Parameter		Symbol	min.	typ.	max.	Unit	Remarks	
CLK	Frequency	1/tc	64.5	68.25	72.0	MHz	14.652 ns (typ.)	
	Duty	-	-			-	-	
	Rise time, Fall time	-				ns		
DATA	CLK-DATA	Setup time	-	-			ns	-
		Hold time	-				ns	
	Rise time, Fall time	-	ns					
DE	Horizontal	Cycle	th	17.86	21.099	23.33	μs	47.396 kHz (typ.)
				-	1440	-	CLK	
	Vertical (One frame)	Cycle	tv	14.11	16.668	17.67	ms	59.995 Hz (typ.)
				-	790	-	H	
	CLK-DE	Setup time	-	-			ns	-
							ns	
		Hold time	-				ns	
Rise time, Fall time		-	-			ns	-	
Display period		thd				1280		

Note1: Definition of parameters is as follows.

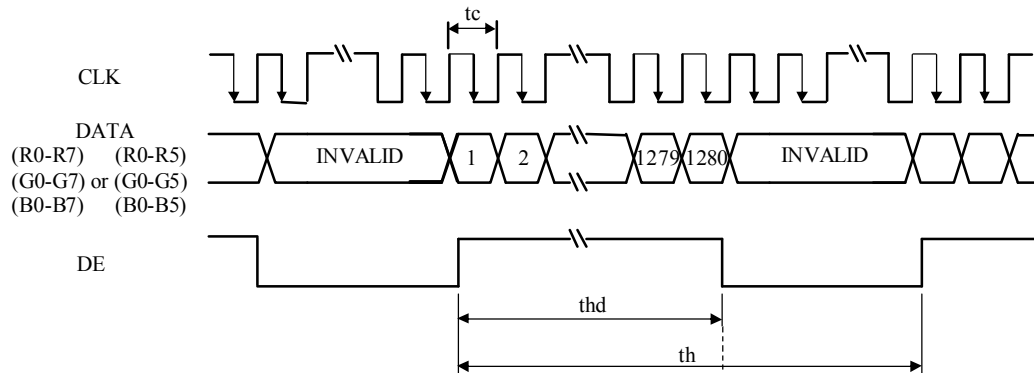
$$tc = 1CLK, th = 1H$$

Note2: See the data sheet of LVDS transmitter.

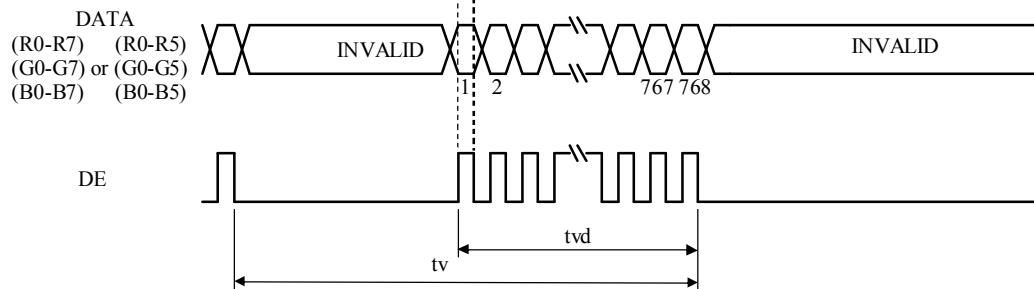
Note3: Vertical cycle (tv) should be specified in integral multiple of Horizontal cycle (th).

4.9.3 Input signal timing chart

Horizontal timing



Vertical timing



4.10 OPTICS

4.10.1 Optical characteristics

(Note1, Note2)

Parameter	Condition	Symbol	min.	typ.	max.	Unit	Measuring instrument	Remarks	
Luminance	White at center $\theta R=0^\circ, \theta L=0^\circ, \theta U=0^\circ, \theta D=0^\circ$	L	180	300	-	cd/m ²	BM-5A	-	
Contrast ratio	White/Black at center $\theta R=0^\circ, \theta L=0^\circ, \theta U=0^\circ, \theta D=0^\circ$	CR	500	1000	-	-	BM-5A	Note3	
Luminance uniformity	White $\theta R=0^\circ, \theta L=0^\circ, \theta U=0^\circ, \theta D=0^\circ$	LU	-	1.25	1.40	-	BM-5A	Note4	
Chromaticity	White	x coordinate	W _x	0.263	0.313	0.363	-	SR-3	Note5
		y coordinate	W _y	0.279	0.329	0.379	-		
	Red	x coordinate	R _x	-	TBD	-	-		
		y coordinate	R _y	-	TBD	-	-		
	Green	x coordinate	G _x	-	TBD	-	-		
		y coordinate	G _y	-	TBD	-	-		
Blue	x coordinate	B _x	-	TBD	-	-			
	y coordinate	B _y	-	TBD	-	-			
Color gamut	$\theta R=0^\circ, \theta L=0^\circ, \theta U=0^\circ, \theta D=0^\circ$ at center, against NTSC color space	C	35	40	-	%			
Response time	Black to White	T _{on}	-	13	-	ms	BM-5A -10000	Note6	
	White to Black	T _{off}	-	12	-	ms		Note7	
Viewing angle	Right	$\theta U=0^\circ, \theta D=0^\circ, CR \geq 10$	θR	-	88	-	EZ Contrast	Note8	
	Left	$\theta U=0^\circ, \theta D=0^\circ, CR \geq 10$	θL	-	88	-			
	Up	$\theta R=0^\circ, \theta L=0^\circ, CR \geq 10$	θU	-	88	-			
	Down	$\theta R=0^\circ, \theta L=0^\circ, CR \geq 10$	θD	-	88	-			

Note1: These are initial characteristics.

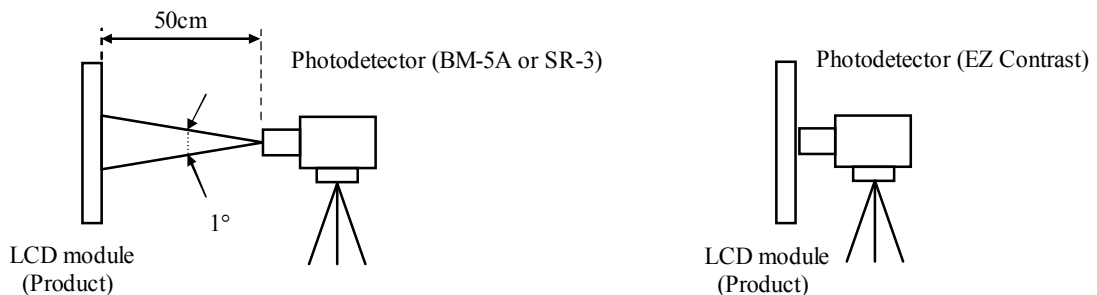
Note2: Measurement conditions are as follows.

T_a= 25°C, VCC= 3.3V, VDD=12.0V, PWM: Duty 100%,

Display mode: WXGA, Horizontal cycle= 1/47.396kHz, Vertical cycle= 1/59.995Hz,

DPS= Low or Open: Normal scan

Optical characteristics are measured at luminance saturation 20minutes after the product works, in the dark room. Also measurement methods are as follows.



Note3: See "4.10.2 Definition of contrast ratio".

Note4: See "4.10.3 Definition of luminance uniformity".

Note5: These coordinates are found on CIE 1931 chromaticity diagram.

Note6: Product surface temperature: TopF= TBD°C

Note7: See "4.10.4 Definition of response times".

Note8: See "4.10.5 Definition of viewing angles".

4.10.2 Definition of contrast ratio

The contrast ratio is calculated by using the following formula.

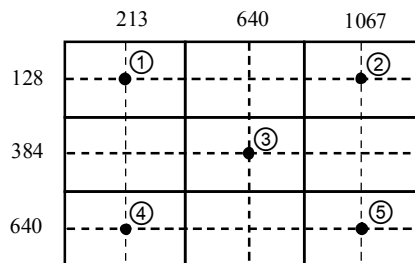
$$\text{Contrast ratio (CR)} = \frac{\text{Luminance of white screen}}{\text{Luminance of black screen}}$$

4.10.3 Definition of luminance uniformity

The luminance uniformity is calculated by using following formula.

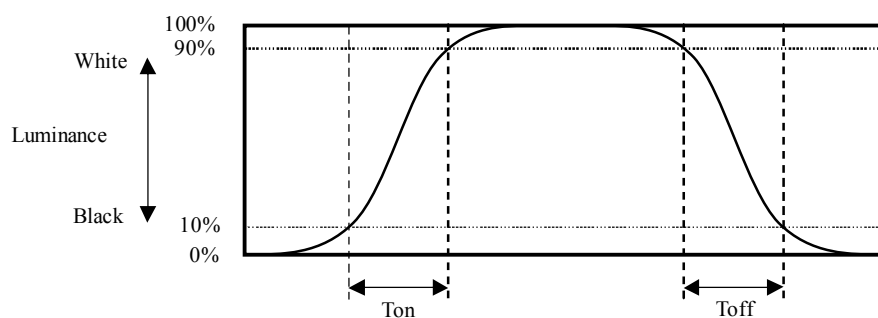
$$\text{Luminance uniformity (LU)} = \frac{\text{Maximum luminance from ① to ⑤}}{\text{Minimum luminance from ① to ⑤}}$$

The luminance is measured at near the 5 points shown below.

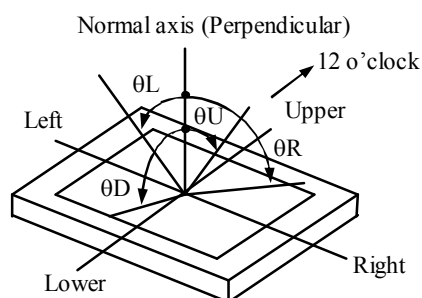


4.10.4 Definition of response times

Response time is measured at the time when the luminance changes from "black" to "white", or "white" to "black" on the same screen point, by photo-detector. Ton is the time when the luminance changes from 10% up to 90%. Also Toff is the time when the luminance changes from 90% down to 10% (See the following diagram.).



4.10.5 Definition of viewing angles



5. ESTIMATED LUMINANCE LIFETIME

The luminance lifetime is the time from initial luminance to half-luminance.

This lifetime is the estimated value, and is not guarantee value.

Condition		Estimated luminance lifetime (Life time expectancy) Note1, Note2, Note3	Unit
LED elementary substance	25°C (Ambient temperature of the product) Continuous operation, PWM Duty :100%	30,000	h

Note1: Life time expectancy is mean time to half-luminance.

Note2: Estimated luminance lifetime is not the value for an LCD module but the value for LED elementary substance.

Note3: By ambient temperature, the lifetime changes particularly. Especially, in case the product works under high temperature environment, the lifetime becomes short.

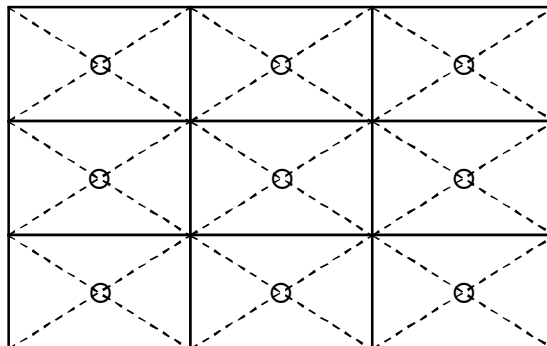
PRELIMINARY

6. RELIABILITY TESTS

Test item	Condition	Judgment	Note1
High temperature and humidity (Operation)	① +60 ± 2°C, RH= 90%, 240hours ② Display data is white.	No display malfunctions	
High temperature (Operation)	① +70 ± 3°C, 240hours ② Display data is white.		
Heat cycle (Operation)	① -20 ± 3°C...1hour +70 ± 3°C...1hour ② 50cycles, 4hours/cycle ③ Display data is white		
Thermal shock (Non operation)	① -30 ± 3°C...30minutes +80 ± 3°C...30minutes ② 100cycles, 1hour/cycle ③ Temperature transition time is within 5 minutes.		
ESD (Operation)	① 150pF, 150Ω, ±10kV ② 9 places on a panel surface Note2 ③ 10 times each points at 1 sec interval		
Dust (Operation)	① Sample dust: No. 15 (by JIS-Z8901) ② 15 seconds stir ③ 8 times repeat at 1 hour interval		
Vibration (Non operation)	① 5 to 100Hz, 19.6m/s ² ② 1 minute/cycle ③ X, Y, Z directions ④ 30 times each directions	No display malfunctions No physical damages	
Mechanical shock (Non operation)	① 539m/ s ² , 11ms ② ±X, ±Y, ±Z directions ③ 5 times each directions		

Note1: Display and appearance are checked under environmental conditions equivalent to the inspection conditions of defect criteria.

Note2: See the following figure for discharge points.



7. PRECAUTIONS

7.1 MEANING OF CAUTION SIGNS

The following caution signs have very important meaning. **Be sure to read "7.2 CAUTIONS" and "7.3 ATTENTIONS"!**



This sign has the meaning that a customer will be injured or the product will sustain damage if the customer practices wrong operations.



This sign has the meaning that a customer will be injured if the customer practices wrong operations.

7.2 CAUTIONS



*** Do not shock and press the LCD panel and the backlight! There is a danger of breaking, because they are made of glass. (Shock: Equal to or no greater than 539m/s^2 and equal to or no greater than 11ms, Pressure: Equal to or no greater than 19.6 N ($\phi 16\text{mm}$ jig))**

7.3 ATTENTIONS



7.3.1 Handling of the product

- ① Take hold of both ends without touching the circuit board when the product (LCD module) is picked up from inner packing box to avoid broken down or misadjustment, because of stress to mounting parts on the circuit board.
- ② When the product is put on the table temporarily, display surface must be placed downward.
- ③ When handling the product, take the measures of electrostatic discharge with such as earth band, ionic shower and so on, because the product may be damaged by electrostatic.
- ④ The torque for product mounting screws must never exceed 0.23N·m. Higher torque might result in distortion of the bezel. And the length of product mounting screws must be $\leq 2.5\text{mm}$.
- ⑤ The product must be installed using mounting holes without undue stress such as bends or twist (See outline drawings). And do not add undue stress to any portion (such as bezel flat area). Bends or twist described above and undue stress to any portion may cause display mura.
- ⑥ Do not press or rub on the sensitive product surface. When cleaning the panel surface, wipe it with a soft dry cloth.
- ⑦ Do not push or pull the interface connectors while the product is working. When handling the product, use of an original protection sheet on the product surface (polarizer) is recommended for protection of product surface. Adhesive type protection sheet may change color or characteristics of the polarizer.
- ⑧ Usually liquid crystals don't leak through the breakage of glasses because of the surface tension of thin layer and the construction of LCD panel. But, if you contact with liquid crystal by any chance, please wash it away with soap and water.

7.3.2 Environment

- ① Do not operate or store in high temperature, high humidity, dewdrop atmosphere or corrosive gases. Keep the product in packing box with antistatic pouch in room temperature to avoid dusts and sunlight, when storing the product.
- ② In order to prevent dew condensation occurred by temperature difference, the product packing box must be opened after enough time being left under the environment of an unpacking room. Evaluate the storage time sufficiently because dew condensation is affected by the environmental temperature and humidity. (Recommended leaving time: 6 hours or more with the original packing state after a customer receives the package)
- ③ Do not operate in high magnetic field. If not, circuit boards may be broken.
- ④ This product is not designed as radiation hardened.

7.3.3 Characteristics

The following items are neither defects nor failures.

- ① Characteristics of the LCD (such as response time, luminance, color uniformity and so on) may be changed depending on ambient temperature. If the product is stored under condition of low temperature for a long time, it may cause display mura. In this case, the product should be operated after enough time being left under condition of operating temperature.
- ② Display mura, flickering, vertical streams or tiny spots may be observed depending on display patterns.
- ③ Do not display the fixed pattern for a long time because it may cause image sticking. Use a screen saver, if the fixed pattern is displayed on the screen.
- ④ The display color may be changed depending on viewing angle because of the use of condenser sheet in the backlight.
- ⑤ Optical characteristics may be changed depending on input signal timings.

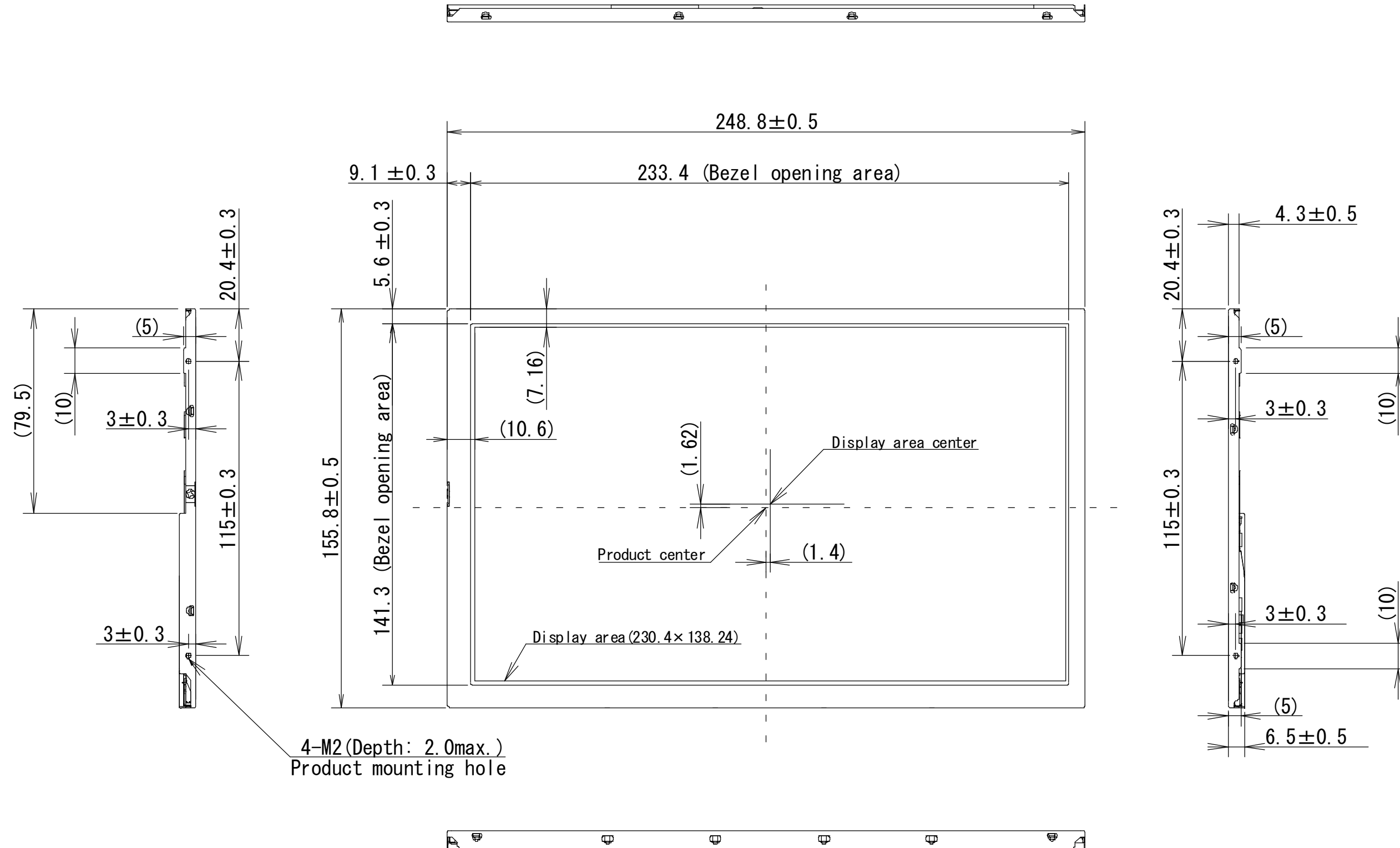
7.3.4 Others

- ① All GND, VCC and VDD terminals should be used without any non-connected lines.
- ② Do not disassemble a product or adjust variable resistors.
- ③ See "REPLACEMENT MANUAL FOR LAMP HOLDER SET", when replacing lamp holder set.
- ④ Pack the product with the original shipping package, in order to avoid any damages during transportation, when returning the product to NLT for repairing and so on.

PRELIMINARY

8. OUTLINE DRAWINGS

8.1 FRONT VIEW

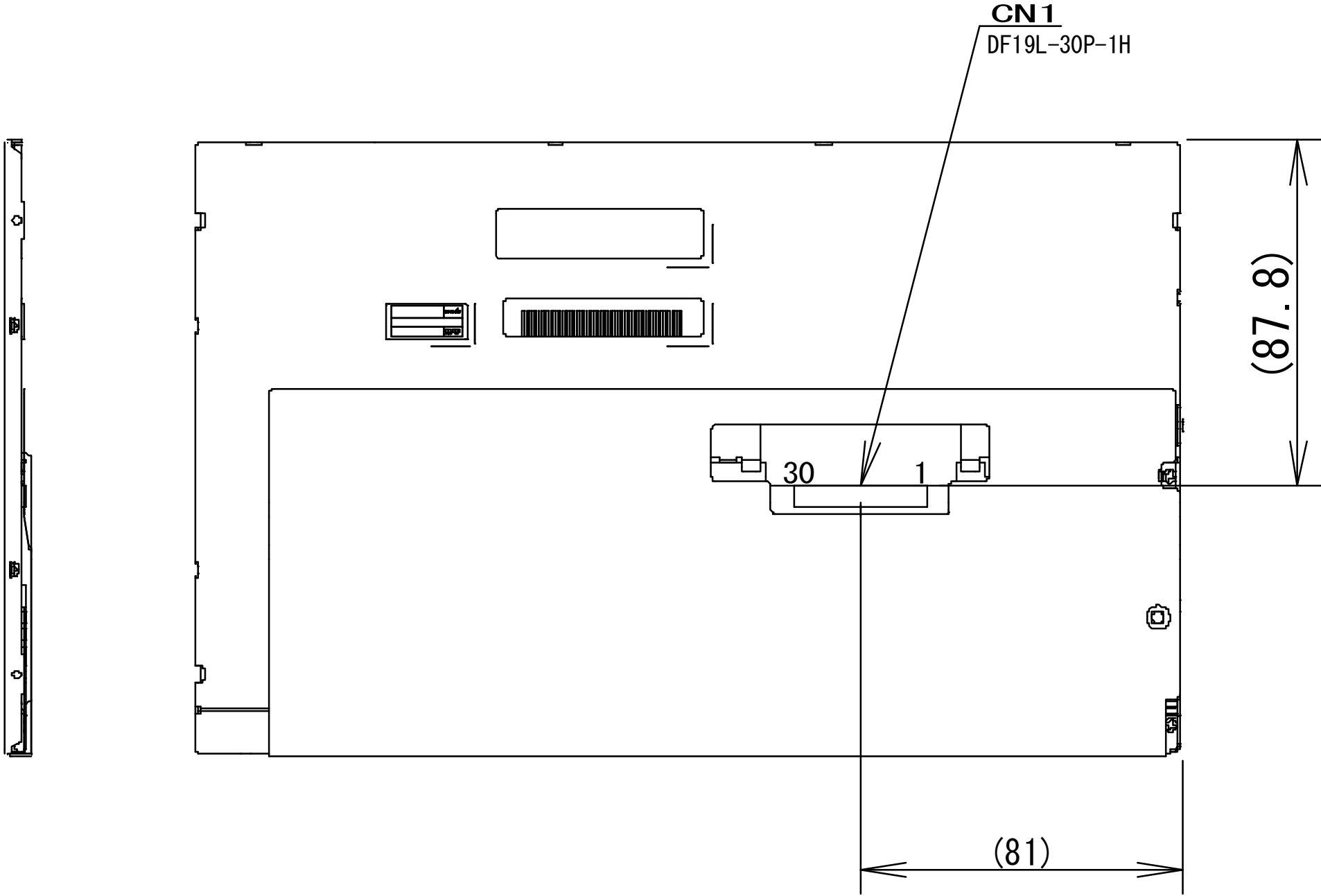


Note1: The values in parentheses are for reference.

Note2: The torque for product mounting screws must never exceed 0.23N·m. And the length of product mounting screws must be ≤ 2.0 mm.

Unit: mm

8.2 REAR VIEW



Note1: The values in parentheses are for reference.

Note2: The torque for product mounting screws must never exceed 0.23N·m. And the length of product mounting screws must be ≤ 2.0 mm.

Unit: mm

PRELIMINARY

REVISION HISTORY

The inside of latest specifications is revised to the clerical error and the major improvement of previous edition. Only a changed part such as functions, characteristic value and so on that may affect a design of customers, are described especially below.

Edition	Document number	Prepared date	Revision contents and signature
1st edition	DOD-MD-1098	Apr, 27 2011	<p>Revision contents New issue</p> <p>Writer Approved by _____ T.KANATSU</p> <p style="text-align: right;">Checked by _____</p> <p style="text-align: right;">Prepared by K.YUGE</p>
2nd edition	DOD-MDA-0497	Jun, 24 2011	<p>Revision contents Change product name NL12876AC18-xx → NL12876AC18-03</p> <p>P4 FEATURES</p> <ul style="list-style-type: none"> •Add ColorXcell technology <p>P5 GENERAL SPECIFICATIONS</p> <ul style="list-style-type: none"> •Weight TBD → (280) •Power consumption TBD → (3.9) <p>P7 MECHANICAL SPECIFICATIONS</p> <ul style="list-style-type: none"> •Weight TBD → (280) <p>P8 Power supply current TBD → (500)</p> <p>P9 Backlight</p> <ul style="list-style-type: none"> •Power supply current TBD → (190) <p>P11 Change the pin assignments</p> <ul style="list-style-type: none"> •No.1: GND → N.C. •No.6: PWM → GND •No.7: BRTC → PWM •No.8: N.C. → BRTC <p>P30, P31 OUTLINE DRAWING</p> <p>Change the location of the mark</p> <ul style="list-style-type: none"> •Front view Detail of side view •Rear view CN1 position (81.8) → (87.8) CN1 type name: Delete DF19G-30P-1H <p>Writer Approved by _____ T.KANATSU</p> <p style="text-align: right;">Checked by _____</p> <p style="text-align: right;">Prepared by K.YUGE</p>
3rd edition	DOD-MDA-	Jul, 15 2011	<p>Revision contents Change the company name: NLT Technologies, Ltd. (“NLT”)</p> <p>P5 GENERAL SPECIFICATIONS</p> <ul style="list-style-type: none"> •Power consumption: (3.9)W(typ.) → (3.6)W(typ.) <p>P7 ABSOLUTE MAXIMUM RATINGS</p> <ul style="list-style-type: none"> •PWM: TBD → -0.3 to +5.5V •BRTC: TBD → -0.3 to VDD+1.0V <p>P8 LCD panel signal processing board</p> <ul style="list-style-type: none"> •Power supply current: (500)typ. → (400)typ. <p>P9 Backlight</p> <ul style="list-style-type: none"> •Change symbol name VDFH → VDFH1, VDFH2 VDFL → VDFL1, VDFL2 •VDFH1: TBD(min.), TBD(max.) → 2.0(min.), 5.0(max.) •VDFL1: TBD(max.) → 0.8(max.) •VDFH2: TBD(min.), TBD(max.) → 2.0(min.), VDD(max.) •VDFL2: TBD(max.) → 0.8(max.) •PWM pulse width: TBD → (20)min.



PRELIMINARY

Edition	Document number	Prepared date	Revision contents and signature						
			<p>P9 FUSE</p> <ul style="list-style-type: none"> •TBD → Series FCC (KAMAYA ELECTRIC CO., LTD.) <p>P10 POWER SUPPLY VOLTAGE SEQUENCE</p> <p>LED Driver</p> <ul style="list-style-type: none"> •VDD Threshold level of ON: TBD → 10.8V Threshold level of OFF: TBD → 0.5V Interval time: TBD → >500ms •PWM, BRTC Threshold level of ON: TBD → 2.0V Sequence time of power ON/OFF: TBD → >0 <p>P11 LCD panel signal processing board</p> <ul style="list-style-type: none"> •Pin No.8 add comment (High or open: ON, Low: OFF) <p style="text-align: center;">Writer</p> <table style="width: 100%; border: none;"> <tr> <td style="text-align: center; width: 33%;">Approved by</td> <td style="text-align: center; width: 33%;">Checked by</td> <td style="text-align: center; width: 33%;">Prepared by</td> </tr> <tr> <td style="text-align: center;">T.KANATSU</td> <td style="text-align: center;">_____</td> <td style="text-align: center;">K.YUGE</td> </tr> </table>	Approved by	Checked by	Prepared by	T.KANATSU	_____	K.YUGE
Approved by	Checked by	Prepared by							
T.KANATSU	_____	K.YUGE							
4th edition	DOD-MDA-0537	Sep, 29 2011	<p>Revision contents</p> <p>P5 GENERAL SPECIFICATIPNS</p> <ul style="list-style-type: none"> •Weight: 280 → 270 g(typ.) •Contrast ratio: 700:1 → 1000:1(typ.) •Power consumption: (3.6) → (3.2) <p>P6 MECHANICAL SPECIFICATIONS</p> <ul style="list-style-type: none"> •Weight: (280)(typ.),TBD(max.) → 270(typ.),295(max.) <p>P7 ABSOLUTE MAXIMUM RATINGS</p> <ul style="list-style-type: none"> •LED Driver VDD: TBD → -0.3 to 15.0 <p>P8 LCD panel signal processing board</p> <ul style="list-style-type: none"> •Power supply cullent: (400)(typ.),TBD(max.) → 400(typ.),700(max.) <p>P9 Backlight</p> <ul style="list-style-type: none"> •Power supply voltage VDD: (11.4)(min.),(12.6)(max.) → 11.4(min.),12.6(max.) •Power supply current Change the symbol name: ICC → IDD (190)(typ.),TBD(max.) → (160)(typ.),(195)(max.) •Add Note5 <p>P9 FUSE</p> <ul style="list-style-type: none"> •VCC: FCC16202xx → FCC16202AB •VDD: FCC16132xx → FCC16132AB <p>P10 LED Driver</p> <ul style="list-style-type: none"> •Threshold of VDD: 10.8V → 11.4V <p>P11 LCD panel signal processing board</p> <ul style="list-style-type: none"> •Add Note5 <p>P17 Combinations of input data signals, FRC and MSL signal</p> <ul style="list-style-type: none"> •CN1-Pin No.1 and 2 → CN1-Pin No.24 and 25 <p>P24 Optical characteristics</p> <ul style="list-style-type: none"> •Luminance: TBD(min.),300(typ.) → 180(min.),300(typ.) •Contrast ratio: TBD(min.),700(typ.) → 500(min.),1000(typ.) •Luminance uniformity: 1.25(typ.),TBD(max.) → 1.25(typ.),1.40(max.) •Chromaticity Wx: TBD(min.),0.313(typ.),TBD(max.) → 0.263(min.),0.313(typ.),0.363(max.) Wy: TBD(min.),0.329(typ.),TBD(max.) → 0.279(min.),0.329(typ.),0.379(max.) •Color gamut: TBD(min.),40(typ.) → 35(min.),40(typ.) •Response time Ton: 10(typ.) → 13(typ.), Toff: 15(typ.) → 12(typ.) <p>P26 ESTIMATED LUMINANCE LIFETIME</p> <ul style="list-style-type: none"> •The high temperature was deleted <p style="text-align: center;">Writer</p> <table style="width: 100%; border: none;"> <tr> <td style="text-align: center; width: 33%;">Approved by</td> <td style="text-align: center; width: 33%;">Checked by</td> <td style="text-align: center; width: 33%;">Prepared by</td> </tr> <tr> <td style="text-align: center;">T.KANATSU</td> <td style="text-align: center;">_____</td> <td style="text-align: center;">K.YUGE</td> </tr> </table>	Approved by	Checked by	Prepared by	T.KANATSU	_____	K.YUGE
Approved by	Checked by	Prepared by							
T.KANATSU	_____	K.YUGE							

PRELIMINARY

NLT Technologies, Ltd.

NL12876AC18-03

Edition	Document number	Prepared date	Revision contents and signature
5th edition	DOD-MDA-0565	Dec, 26 2011	<p>Revision contents</p> <p>P5 GENERAL SPECIFICATIONS</p> <ul style="list-style-type: none">•Power supply voltage LED Backlight 12V → 5V to 12V•Power consumption Add VDD=12.0V <p>P9 Backlight</p> <ul style="list-style-type: none">•Power supply voltage VDD: 11.4(min.), 12.0(typ.), (12.6)(max.) → 4.75(min.), -(typ.), 12.6(max.)•Power supply current IDD Add at VDD=5.0V•Add Note6 <p>P9 Power supply voltage ripple</p> <ul style="list-style-type: none">•VDD: 12.0V → 5.0V to 12.0V <p>P9 Fuse</p> <ul style="list-style-type: none">•VDD: FCC16132AB → TBD <p>P10 LED Driver</p> <ul style="list-style-type: none">•Threshold of VDD: 10.8V → 4.75V•Add tPWH <p>Writer</p> <p>Approved by _____ T.KANATSU </p> <p>Checked by _____</p> <p>Prepared by _____ K.YUGE </p>