

NLSX3378

4-Bit 20 Mb/s Dual-Supply Level Translator

The NLSX3378 is a 4-bit configurable dual-supply bidirectional auto sensing translator that does not require a directional control pin. The V_{CC} I/O and V_L I/O ports are designed to track two different power supply rails, V_{CC} and V_L respectively. The V_{CC} supply rail is configurable from 1.65 V to 4.5 V while V_L supply rail is configurable to 1.2 V to 4.1 V. This allows lower voltage logic signals on the V_L side to be translated into higher voltage logic signals on the V_{CC} side, and vice-versa.

The NLSX3378 translator has open-drain outputs with integrated 10 k Ω pullup resistors on the I/O lines. The integrated pullup resistors are used to pullup the I/O lines to either V_L or V_{CC} . The NLSX3378 is an excellent match for open-drain applications such as the I²C communication bus.

Features

- Wide High-Side V_{CC} Operating Range: 1.65 V to 4.5 V
Wide Low-Side V_L Operating Range: 1.2 V to 4.1 V
- High-Speed with 20 Mb/s Guaranteed Data Rate for $V_L > 2.5$ V
- Low Bit-to-Bit Skew
- Enable Input and I/O Lines have Overvoltage Tolerant (OVT) to 4.5 V
- Nonpreferential Powerup Sequencing
- Integrated 10 k Ω Pullup Resistors
- Small Space Saving Package – 2.02 x 1.54 mm μ Bump12
- This is a Pb-Free Device

Typical Applications

- I²C, SMBus, PMBus
- Low Voltage ASIC Level Translation
- Mobile Phones, PDAs, Cameras

Important Information

- ESD Protection for Power, Enable and I/O Pins:
Human Body Model (HBM): ± 2 kV



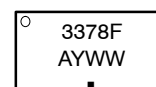
ON Semiconductor®

<http://onsemi.com>

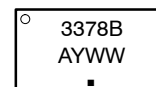
MARKING DIAGRAM for NLSX3378FCT1G



μ Bump12
FC SUFFIX
CASE 499AU

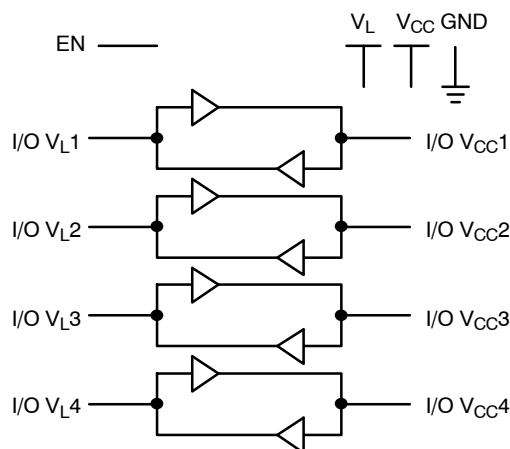


for NLSX3378BFCT1G



A = Assembly Location
Y = Year
WW = Work Week
▪ = Pb-Free Package

LOGIC DIAGRAM



ORDERING INFORMATION

See detailed ordering and shipping information in the package dimensions section on page 8 of this data sheet.

NLSX3378

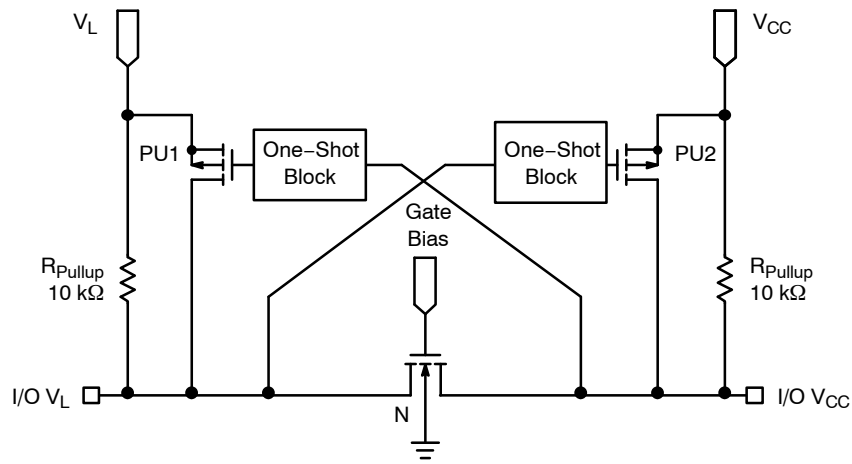


Figure 1. Block Diagram (1 I/O Line)

PIN ASSIGNMENT

Pins	Description
V _{CC}	V _{CC} Input Voltage
V _L	V _L Input Voltage
GND	Ground
EN	Output Enable
I/O V _{CC} n	V _{CC} I/O Port, Referenced to V _{CC}
I/O V _L n	V _L I/O Port, Referenced to V _L

FUNCTION TABLE

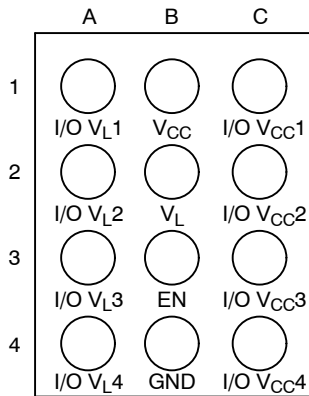
EN	Operating Mode
L	Hi-Z
H	I/O Buses Connected

PIN LOCATION

Pin	Pin Name
A1	I/O V _L 1
A2	I/O V _L 2
A3	I/O V _L 3
A4	I/O V _L 4
B1	V _{CC}
B2	V _L
B3	EN
B4	GND
C1	I/O V _{CC} 1
C2	I/O V _{CC} 2
C3	I/O V _{CC} 3
C4	I/O V _{CC} 4

μBump12

(2.02 x 1.54 mm)



(Bottom View)

NLSX3378

MAXIMUM RATINGS

Symbol	Parameter	Value	Condition	Unit
V _{CC}	High-side DC Supply Voltage	-0.3 to +7.0		V
V _L	High-side DC Supply Voltage	-0.3 to +7.0		V
I/O V _{CC}	V _{CC} -Referenced DC Input/Output Voltage	-0.3 to (V _{CC} + 0.3)		V
I/O V _L	V _L -Referenced DC Input/Output Voltage	-0.3 to (V _L + 0.3)		V
V _{EN}	Enable Control Pin DC Input Voltage	-0.3 to +7.0		V
I _{I/O_SC}	Short-Circuit Duration (I/O V _L and I/O V _{CC} to GND)	40	Continuous	mA
T _{STG}	Storage Temperature	-65 to +150		°C

Stresses exceeding Maximum Ratings may damage the device. Maximum Ratings are stress ratings only. Functional operation above the Recommended Operating Conditions is not implied. Extended exposure to stresses above the Recommended Operating Conditions may affect device reliability.

RECOMMENDED OPERATING CONDITIONS

Symbol	Parameter	Min	Max	Unit
V _{CC}	High-side Positive DC Supply Voltage	1.65	4.5	V
V _L	High-side Positive DC Supply Voltage	1.2	4.1	V
V _{EN}	Enable Control Pin Voltage	GND	4.5	V
V _{IO}	Enable Control Pin Voltage	GND	4.5	V
T _A	Operating Temperature Range	-40	+85	°C

DC ELECTRICAL CHARACTERISTICS (V_{CC} = 1.65 V to 4.5 V and V_L = 1.2 V to 4.1 V, unless otherwise specified)

Symbol	Parameter	Test Conditions	-40°C to +85°C			Unit
			Min	Typ (Notes 1, 2)	Max	
V _{IHC}	I/O V _{CC} Input HIGH Voltage		V _{CC} - 0.4	-	-	V
V _{ILC}	I/O V _{CC} Input LOW Voltage		-	-	0.15	V
V _{IHL}	I/O V _L Input HIGH Voltage		V _L - 0.2	-	-	V
V _{ILL}	I/O V _L Input LOW Voltage		-	-	0.15	V
V _{IH}	Control Pin Input HIGH Voltage		V _L - 0.2	-	-	V
V _{IL}	Control Pin Input LOW Voltage		-	-	0.15	V
V _{OHC}	I/O V _{CC} Output HIGH Voltage	I/O V _{CC} Source Current = 20 μA	2/3 * V _{CC}	-	-	V
V _{OLC}	I/O V _{CC} Output LOW Voltage	I/O V _{CC} Sink Current = 20 μA	-	-	1/3 * V _{CC}	V
V _{OHL}	I/O V _L Output HIGH Voltage	I/O V _L Source Current = 20 μA	2/3 * V _L	-	-	V
V _{OLL}	I/O V _L Output LOW Voltage	I/O V _L Sink Current = 20 μA	-	-	1/3 * V _L	V
I _{QVCC}	V _{CC} Supply Current	I/O V _{CC} and I/O V _L Unconnected, V _{EN} = V _L	-	50	105	μA
I _{QVL}	V _L Supply Current	I/O V _{CC} and I/O V _L Unconnected, V _{EN} = V _L	-	0.1	1.0	μA
I _{TS-VCC}	V _{CC} Tristate Output Mode Supply Current	I/O V _{CC} and I/O V _L Unconnected, V _{EN} = GND	-	0.1	2.5	μA
I _{TS-VL}	V _L Tristate Output Mode Supply Current	I/O V _{CC} and I/O V _L Unconnected, V _{EN} = GND	-	0.1	2.5	μA
I _{OZ}	I/O Tristate Output Mode Leakage Current	T _A = +25°C	-	-	1.0	μA
R _{PU}	Pullup Resistor I/O V _L and V _{CC}	T _A = +25°C	-	10	-	kΩ

1. Typical values are for V_{CC} = +2.8 V, V_L = +1.8 V and T_A = +25°C.

2. All units are production tested at T_A = +25°C. Limits over the operating temperature range are guaranteed by design.

NLSX3378

TIMING CHARACTERISTICS – RAIL-TO-RAIL DRIVING CONFIGURATIONS

(I/O test circuit of Figures 2 and 3, $C_{LOAD} = 15 \text{ pF}$, driver output impedance $\leq 50 \Omega$, $R_{LOAD} = 1 \text{ M}\Omega$)

Symbol	Parameter	Test Conditions	-40°C to +85°C (Note 3)			Unit
			Min	Typ	Max	
+1.2 ≤ V_L ≤ V_{CC} ≤ +4.5 V						
t _{RVCC}	I/O V _{CC} Risetime				25	ns
t _{FVCC}	I/O V _{CC} Falltime				37	ns
t _{RVL}	I/O V _L Risetime				30	ns
t _{FVL}	I/O V _L Falltime				30	ns
t _{PDVL-VCC}	Propagation Delay (Driving I/O V _L)				30	ns
t _{PDVCC-VL}	Propagation Delay (Driving I/O V _{CC})				30	ns
t _{PPSKEW}	Part-to-Part Skew				20	nS
MDR	Maximum Data Rate		8			Mb/s

+1.2 ≤ V_L ≤ V_{CC} ≤ +3.3 V

t _{RVCC}	I/O V _{CC} Risetime				25	ns
t _{FVCC}	I/O V _{CC} Falltime				30	ns
t _{RVL}	I/O V _L Risetime				30	ns
t _{FVL}	I/O V _L Falltime				30	ns
t _{PDVL-VCC}	Propagation Delay (Driving I/O V _L)				20	ns
t _{PDVCC-VL}	Propagation Delay (Driving I/O V _{CC})				20	ns
t _{PPSKEW}	Part-to-Part Skew				10	nS
MDR	Maximum Data Rate		10			Mb/s

+1.8 ≤ V_L ≤ V_{CC} ≤ +2.5 V

t _{RVCC}	I/O V _{CC} Risetime				15	ns
t _{FVCC}	I/O V _{CC} Falltime				15	ns
t _{RVL}	I/O V _L Risetime				15	ns
t _{FVL}	I/O V _L Falltime				15	ns
t _{PDVL-VCC}	Propagation Delay (Driving I/O V _L)				15	ns
t _{PDVCC-VL}	Propagation Delay (Driving I/O V _{CC})				15	ns
t _{PPSKEW}	Part-to-Part Skew				10	nS
MDR	Maximum Data Rate		16			Mb/s

+2.5 ≤ V_L ≤ V_{CC} ≤ +3.3 V

t _{RVCC}	I/O V _{CC} Risetime				15	ns
t _{FVCC}	I/O V _{CC} Falltime				15	ns
t _{RVL}	I/O V _L Risetime				15	ns
t _{FVL}	I/O V _L Falltime				15	ns
t _{PDVL-VCC}	Propagation Delay (Driving I/O V _L)				15	ns
t _{PDVCC-VL}	Propagation Delay (Driving I/O V _{CC})				15	ns
t _{PPSKEW}	Part-to-Part Skew				10	nS
MDR	Maximum Data Rate		20			Mb/s

3. All units are production tested at T_A = +25°C. Limits over the operating temperature range are guaranteed by design.

NLSX3378

TIMING CHARACTERISTICS – OPEN DRAIN DRIVING CONFIGURATIONS

(I/O test circuit of Figures 4 and 5, $C_{LOAD} = 15 \text{ pF}$, driver output impedance $\leq 50 \Omega$, $R_{LOAD} = 1 \text{ M}\Omega$)

Symbol	Parameter	Test Conditions	-40°C to +85°C (Note 4)			Unit
			Min	Typ	Max	
+1.2 ≤ V_L ≤ V_{CC} ≤ +4.5 V						
t _{RVCC}	I/O V _{CC} Risetime				400	ns
t _{FVCC}	I/O V _{CC} Falltime				50	ns
t _{RVL}	I/O V _L Risetime				400	ns
t _{FVL}	I/O V _L Falltime				60	ns
t _{PDVL-VCC}	Propagation Delay (Driving I/O V _L)				1000	ns
t _{PDVCC-VL}	Propagation Delay (Driving I/O V _{CC})				1000	ns
t _{PPSKEW}	Part-to-Part Skew				50	nS
MDR	Maximum Data Rate		2			Mb/s

4. All units are production tested at T_A = +25°C. Limits over the operating temperature range are guaranteed by design. Limits over the operating temperature range are guaranteed by design.

NLSX3378

TEST SETUPS

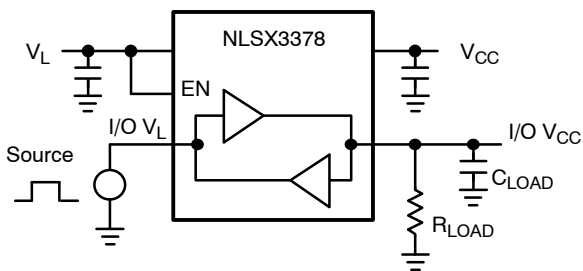


Figure 2. Rail-to-Rail Driving I/O VL

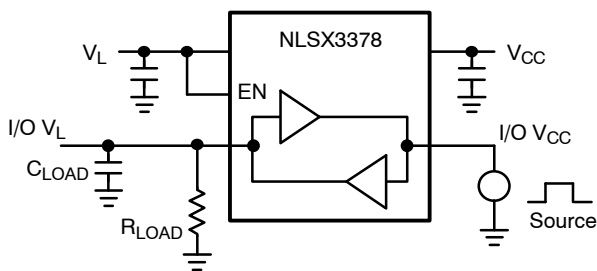


Figure 3. Rail-to-Rail Driving I/O VCC

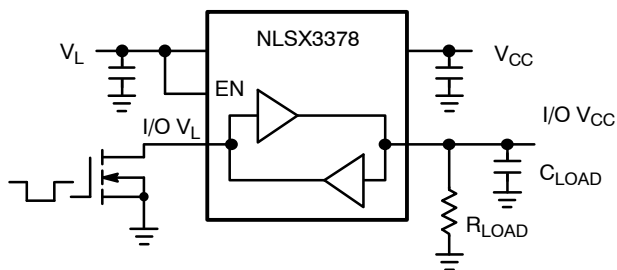


Figure 4. Open-Drain Driving I/O VL

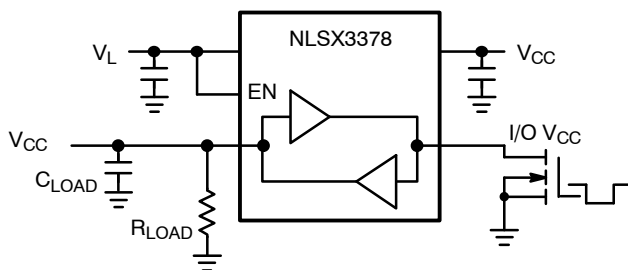


Figure 5. Open-Drain Driving I/O VCC

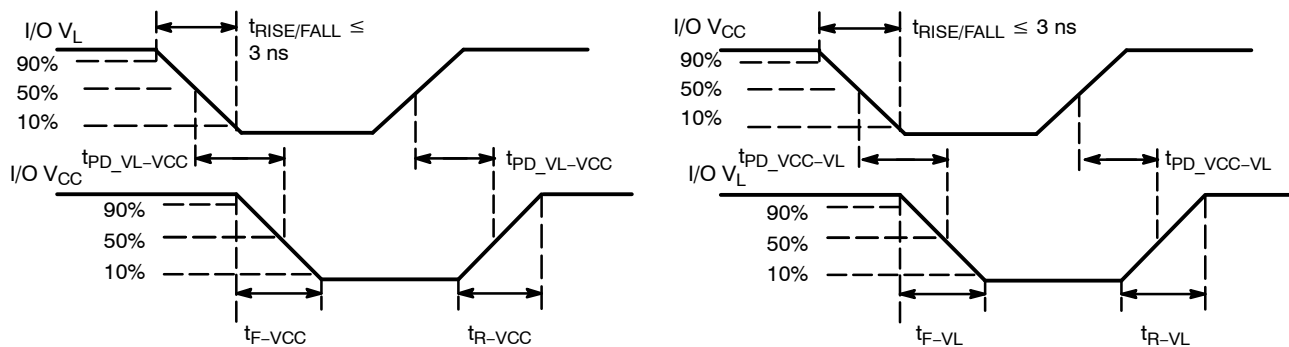
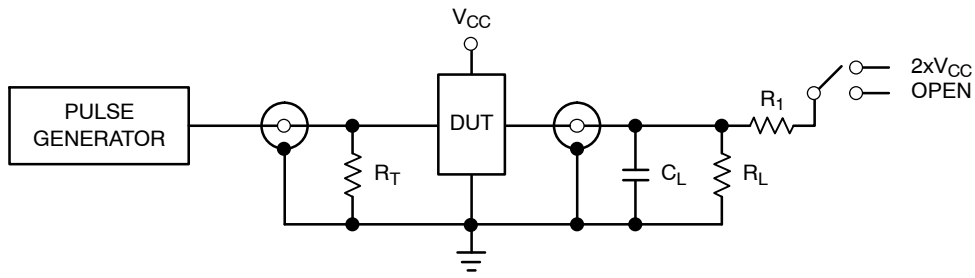


Figure 6. Definition of Timing Specification Parameters

NLSX3378



Test	Switch
t_{PZH} , t_{PHZ}	Open
t_{PZL} , t_{PLZ}	$2 \times V_{CC}$

$C_L = 15 \text{ pF}$ or equivalent (Includes jig and probe capacitance)
 $R_L = R_1 = 50 \text{ k}\Omega$ or equivalent
 $R_T = Z_{OUT}$ of pulse generator (typically 50Ω)

Figure 7. Test Circuit for Enable/Disable Time Measurement

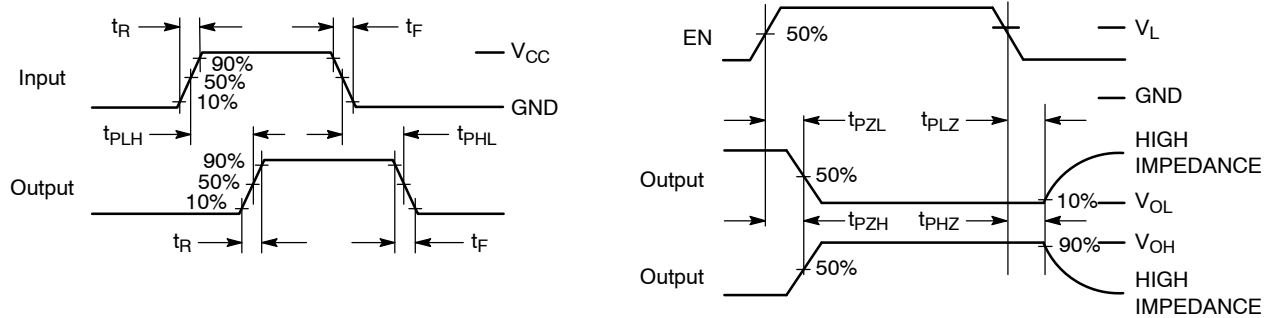


Figure 8. Timing Definitions for Propagation Delays and Enable/Disable Measurement

APPLICATIONS INFORMATION

Level Translator Architecture

The NLSX3378 auto sense translator provides bi-directional voltage level shifting to transfer data in multiple supply voltage systems. This device has two supply voltages, V_L and V_{CC} , which set the logic levels on the input and output sides of the translator. When used to transfer data from the V_L to the V_{CC} ports, input signals referenced to the V_L supply are translated to output signals with a logic level matched to V_{CC} . In a similar manner, the V_{CC} to V_L translation shifts input signals with a logic level compatible to V_{CC} to an output signal matched to V_L .

The NLSX3378 consists of two bi-directional channels that independently determine the direction of the data flow without requiring a directional pin. The one-shot circuits are used to detect the rising or falling input signals. In addition, the one shots decrease the rise and fall time of the output signal for high-to-low and low-to-high transitions.

Each input/output channel has an internal 10 k Ω pull. The magnitude of the pullup resistors can be reduced by connecting external resistors in parallel to the internal 10 k Ω resistors.

Input Driver Requirements

The rise (t_R) and fall (t_F) timing parameters of the open drain outputs depend on the magnitude of the pull-up resistors. In addition, the propagation times (t_{PD}), skew (t_{PSKEW}) and maximum data rate depend on the impedance of the device that is connected to the translator. The timing parameters listed in the data sheet assume that the output impedance of the drivers connected to the translator is less than 50 k Ω .

Enable Input (EN)

The NLSX3378 has an Enable pin (EN) that provides tri-state operation at the I/O pins. Driving the Enable pin to a low logic level minimizes the power consumption of the device and drives the I/O V_{CC} and I/O V_L pins to a high impedance state. Normal translation operation occurs when the EN pin is equal to a logic high signal. The EN pin is referenced to the V_L supply and has Overvoltage Tolerant (OVT) protection.

Power Supply Guidelines

During normal operation, supply voltage V_L should be less than or equal to V_{CC} . The sequencing of the power supplies will not damage the device during the power up operation.

The enable pin should be used to enter the low current tri-state mode, rather than setting either the V_L or V_{CC} supplies to 0 V. The NLSX3378 will not be damaged if either V_L or V_{CC} is equal to 0 V while the other supply voltage is at a nominal operating value; however, the operation of the translator cannot be guaranteed during single supply operation.

For optimal performance, 0.01 μ F to 0.1 μ F decoupling capacitors should be used on the V_L and V_{CC} power supply pins. Ceramic capacitors are a good design choice to filter and bypass any noise signals on the voltage lines to the ground plane of the PCB. The noise immunity will be maximized by placing the capacitors as close as possible to the supply and ground pins, along with minimizing the PCB connection traces.

ORDERING INFORMATION

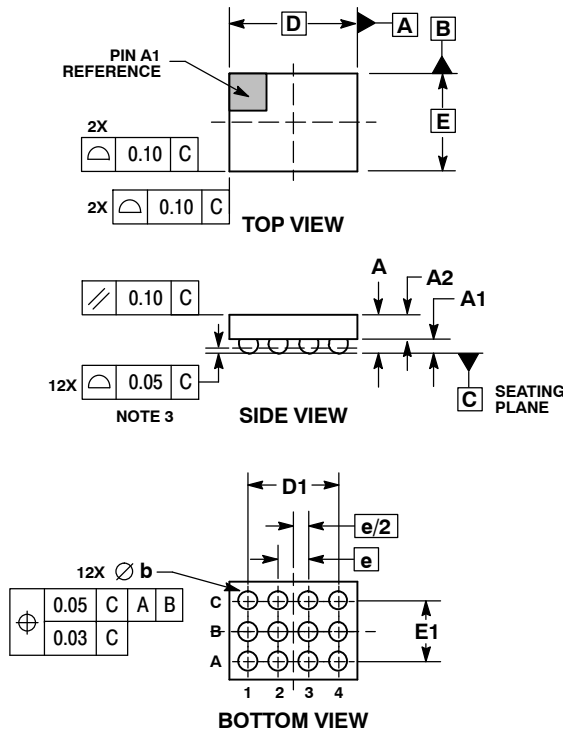
Device	Package	Shipping [†]
NLSX3378FCT1G	μ Bump12 (Pb-Free)	3000 / Tape & Reel
NLSX3378BFCT1G	μ Bump12 (Backside Laminate Coating) (Pb-Free)	3000 / Tape & Reel

[†]For information on tape and reel specifications, including part orientation and tape sizes, please refer to our Tape and Reel Packaging Specifications Brochure, BRD8011/D.

NLSX3378

PACKAGE DIMENSIONS

μBump12, 2.02x1.54, 0.5P
CASE 499AU-01
ISSUE O



NOTES:

1. DIMENSIONING AND TOLERANCING PER ASME Y14.5M, 1994.
2. CONTROLLING DIMENSION: MILLIMETERS.
3. COPLANARITY APPLIES TO SPHERICAL CROWNS OF SOLDER BALLS.

DIM	MILLIMETERS	
	MIN	MAX
A	---	0.66
A1	0.21	0.27
A2	0.33	0.39
b	0.29	0.34
D	2.02 BSC	
D1	1.50 BSC	
E	1.54 BSC	
E1	1.00 BSC	
e	0.50 BSC	

ON Semiconductor and **ON** are registered trademarks of Semiconductor Components Industries, LLC (SCILLC). SCILLC reserves the right to make changes without further notice to any products herein. SCILLC makes no warranty, representation or guarantee regarding the suitability of its products for any particular purpose, nor does SCILLC assume any liability arising out of the application or use of any product or circuit, and specifically disclaims any and all liability, including without limitation special, consequential or incidental damages. "Typical" parameters which may be provided in SCILLC data sheets and/or specifications can and do vary in different applications and actual performance may vary over time. All operating parameters, including "Typicals" must be validated for each customer application by customer's technical experts. SCILLC does not convey any license under its patent rights nor the rights of others. SCILLC products are not designed, intended, or authorized for use as components in systems intended for surgical implant into the body, or other applications intended to support or sustain life, or for any other application in which the failure of the SCILLC product could create a situation where personal injury or death may occur. Should Buyer purchase or use SCILLC products for any such unintended or unauthorized application, Buyer shall indemnify and hold SCILLC and its officers, employees, subsidiaries, affiliates, and distributors harmless against all claims, costs, damages, and expenses, and reasonable attorney fees arising out of, directly or indirectly, any claim of personal injury or death associated with such unintended or unauthorized use, even if such claim alleges that SCILLC was negligent regarding the design or manufacture of the part. SCILLC is an Equal Opportunity/Affirmative Action Employer. This literature is subject to all applicable copyright laws and is not for resale in any manner.

PUBLICATION ORDERING INFORMATION

LITERATURE FULFILLMENT:
 Literature Distribution Center for ON Semiconductor
 P.O. Box 5163, Denver, Colorado 80217 USA
Phone: 303-675-2175 or 800-344-3860 Toll Free USA/Canada
Fax: 303-675-2176 or 800-344-3867 Toll Free USA/Canada
Email: orderlit@onsemi.com

N. American Technical Support: 800-282-9855 Toll Free
 USA/Canada
Europe, Middle East and Africa Technical Support:
 Phone: 421 33 790 2910
Japan Customer Focus Center
 Phone: 81-3-5773-3850

ON Semiconductor Website: www.onsemi.com
Order Literature: <http://www.onsemi.com/orderlit>

For additional information, please contact your local Sales Representative

NLSX3378/D