

**ARM Cortex® -M0
32-bit Microcontroller****NuMicro® Family
NM1230 Series
Datasheet**

The information described in this document is the exclusive intellectual property of Nuvoton Technology Corporation and shall not be reproduced without permission from Nuvoton.

Nuvoton is providing this document only for reference purposes of NuMicro microcontroller based system design. Nuvoton assumes no responsibility for errors or omissions.

All data and specifications are subject to change without notice.

For additional information or questions, please contact: Nuvoton Technology Corporation.

www.nuvoton.com

TABLE OF CONTENTS

1 GENERAL DESCRIPTION 8

2 FEATURES 9

3 ABBREVIATIONS 13

 3.1 Abbreviations 13

4 PARTS INFORMATION LIST AND PIN CONFIGURATION 14

 4.1 Selection Guide 14

 4.1.1 NuMicro® NM1230 Series Selection Guide 14

 4.2 Pin Configuration 15

 4.2.1 NuMicro® NM1230 Series LQFP48 (7x7mm) Pin Diagram 15

 4.2.2 NuMicro® NM1230 Series QFN48 (7x7mm) Pin Diagram 16

 4.3 Pin Description 17

 4.3.1 NM1230 Series Pin Description Overview 17

 4.3.2 NM1230 Series Pin Description 18

 4.3.3 GPIO Multi-function Pin Summary 26

5 BLOCK DIAGRAM 32

 5.1 NuMicro® NM1230 Block Diagram 32

6 FUNCTIONAL DESCRIPTION 33

 6.1 ARM® Cortex®-M0 Core 33

 6.1.1 Overview 33

 6.1.2 Features 33

 6.2 System Manager 35

 6.2.1 Overview 35

 6.2.2 System Reset 35

 6.2.3 Power Modes and Wake-up Sources 41

 6.2.4 System Power Architecture 44

 6.2.5 System Memory Mapping 45

 6.2.6 Register Protection 46

 6.2.7 Memory Organization 48

 6.2.8 System Timer (SysTick) 51

 6.2.9 Nested Vectored Interrupt Control (NVIC) 56

 6.2.10 System Control Registers 76

 6.3 Clock Controller 84

 6.3.1 Overview 84

 6.3.2 Clock Diagram 85

 6.3.3 Clock Generator 86

 6.3.4 System Clock and SysTick Clock 87

- 6.3.5 AHB Clock Source Selection88
- 6.3.6 Peripherals Clock Source Selection88
- 6.3.7 Power-down Mode Clock88
- 6.3.8 Frequency Divider Output89
- 6.4 Flash Memory Controller (FMC)..... 91
 - 6.4.1 Overview91
 - 6.4.2 Features91
- 6.5 General Purpose I/O (GPIO) 92
 - 6.5.1 Overview92
 - 6.5.2 Features92
- 6.6 Timer Controller (TIMER)..... 94
 - 6.6.1 Overview94
 - 6.6.2 Features94
- 6.7 Enhanced Input Capture Timer (ECAP)..... 95
 - 6.7.1 Overview95
 - 6.7.2 Features95
- 6.8 Enhanced PWM Generator (EPWM)..... 96
 - 6.8.1 Overview96
 - 6.8.2 Features96
- 6.9 Basic PWM Generator (BPWM)..... 98
 - 6.9.1 Overview98
 - 6.9.2 Features98
- 6.10 Quadrature Encoder Interface (QEI) 99
 - 6.10.1 Overview99
 - 6.10.2 Features99
- 6.11 Watchdog Timer (WDT)..... 100
 - 6.11.1 Overview100
 - 6.11.2 Features100
- 6.12 USCI – Universal Serial Control Interface Controller 101
 - 6.12.1 Overview101
 - 6.12.2 Features101
- 6.13 USCI – UART Mode 102
 - 6.13.1 Overview102
 - 6.13.2 Features102
- 6.14 USCI – SPI Mode 103
 - 6.14.1 Overview103
 - 6.14.2 Features103
- 6.15 USCI – I²C Mode 105

6.15.1	Overview	105
6.15.2	Features	105
6.16	Hardware Divider (HDIV).....	106
6.16.1	Overview	106
6.16.2	Features	106
6.17	Analog to Digital Converter (ADC).....	108
6.17.1	Overview	108
6.17.2	Features	108
6.18	Analog Comparator (ACMP).....	109
6.18.1	Overview	109
6.18.2	Features	109
6.19	OP and Programmable Gain Amplifier (PGA).....	110
6.19.1	Overview	110
6.19.2	Features	110
7	ELECTRICAL CHARACTERISTICS.....	111
7.1	Absolute Maximum Ratings	112
7.2	DC Electrical Characteristics	113
7.3	AC Electrical Characteristics	118
7.3.1	External Input Clock.....	118
7.3.2	External 4~24 MHz High Speed Crystal (HXT).....	118
7.3.3	Typical Crystal Application Circuits	118
7.3.4	48/72 MHz Internal High Speed RC Oscillator (HIRC).....	119
7.3.5	10 kHz Internal Low Speed RC Oscillator (LIRC)	119
7.4	Analog Characteristics.....	121
7.4.1	12-bit SAR ADC	121
7.4.2	LDO & Power Management.....	123
7.4.3	Brown-out Detector	123
7.4.4	Power-on Reset.....	123
7.4.5	LVR Reset.....	123
7.4.6	Comparator	124
7.4.7	PGA.....	124
7.4.8	OP Amplifier	125
7.4.9	Temperature Sensor	125
7.4.10	ESD Characteristics.....	126
7.4.11	EFT Characteristics.....	126
7.5	Flash DC Electrical Characteristics	127
8	PACKAGE DIMENSIONS	128
8.1	48-Pin LQFP 7x7mm	128

8.2 48-Pin QFN 7x7mm 129

9 REVISION HISTORY 130

List of Figures

Figure 4.2-1 NuMicro® NM1230 Base Series LQFP 48-pin Diagram 15

Figure 4.2-2 NuMicro® NM1230 Base Series QFN 48-pin Diagram 16

Figure 5.1-1 NuMicro® NM1230 Block Diagram 32

Figure 6.1-1 Functional Block Diagram..... 33

Figure 6.2-1 System Reset Resources 36

Figure 6.2-2 nRESET Reset Waveform 38

Figure 6.2-3 Power-on Reset (POR) Waveform 38

Figure 6.2-4 Low Voltage Reset (LVR) Waveform..... 39

Figure 6.2-5 Brown-out Detector (BOD) Waveform 40

Figure 6.2-6 Power Mode State Machine 41

Figure 6.2-7 NuMicro® NM1230 Series Power Architecture Diagram 44

Figure 6.2-8 NuMicro® NM1230 Flash, Security and Configuration Map 48

Figure 6.2-9 SRAM Block Diagram 50

Figure 6.3-1 Clock Generator Global View Diagram..... 85

Figure 6.3-2 Clock Generator Block Diagram 86

Figure 6.3-3 Crystal Oscillator Circuit 87

Figure 6.3-4 System Clock Block Diagram 87

Figure 6.3-5 SysTick Clock Control Block Diagram 88

Figure 6.3-6 AHB Clock Source for HCLK 88

Figure 6.3-7 Clock Source of Frequency Divider 89

Figure 6.3-8 Block Diagram of Frequency Divider 90

Figure 6.5-1 I/O Pin Block Diagram 92

Figure 6.14-1 SPI Master Mode Application Block Diagram (x=0, 1) 103

Figure 6.14-2 SPI Slave Mode Application Block Diagram (x=0, 1) 103

Figure 6.15-1 I²C Bus Timing..... 105

Figure 7.3-1 Typical Crystal Application Circuit 119

List of Tables

Table 3.1-1 List of Abbreviations..... 13

Table 4.1-1 NuMicro® NM1230 Base Series Selection Guide 14

Table 4.3-1 LQFP48/QFN48 Pin Description..... 25

Table 4.3-2 LQFP48 Multi-function Pin Summary 31

Table 6.2-1 Reset Value of Registers 37

Table 6.2-2 Power Mode Difference Table 41

Table 6.2-3 Clocks in Power Modes 42

Table 6.2-4 Condition of Entering Power-down Mode Again..... 43

Table 6.2-5 Memory Mapping Table 45

Table 6.2-6 Protected Registers 47

Table 6.2-7 Address Space Assignments for On-Chip Modules 50

Table 6.2-9 Exception Model 57

Table 6.2-10 System Interrupt Map Vector Table..... 58

Table 6.2-11 Vector Table Format 58

Table 6.3-1 Recommended Load Capacitance Values and Resistance Values 86

1 GENERAL DESCRIPTION

The NuMicro® NM1230 series 32-bit microcontrollers are embedded with ARM® Cortex®-M0 core for industrial applications which need high performance, high integration, and low cost. The Cortex®-M0 is the newest ARM® embedded processor with 32-bit performance at a cost equivalent to the traditional 8-bit microcontroller.

The NM1230 series can run up to 48(72) MHz and operate at 2.2V(3.3V) ~ 5.5V, -40°C ~ 105°C, and thus can support a variety of industrial control applications which need high CPU performance. The NM1230 offers 64 Kbytes embedded program Flash, size configurable Data Flash (shared with program flash), 7.5 Kbytes Flash for the ISP, 1.5 Kbytes SPROM for security, and 16Kbytes SRAM.

Many system level peripheral functions, such as I/O Port, Timer, UART, SPI, I²C, PWM, ADC, OP, PGA, Watchdog Timer, Analog Comparator and Brown-out Detector, have been incorporated into the NM1230 to reduce component count, board space and system cost. These useful functions make the NM1230 powerful for a wide range of applications.

Additionally, the NM1230 series is equipped with ISP (In-System Programming) and ICP (In-Circuit Programming) functions, which allow the user to update the program memory without removing the chip from the actual end product.

2 FEATURES

- Core
 - ARM® Cortex®-M0 core running up to 48/72 MHz by internal RC oscillator optioned from ROMMAP
 - One 24-bit system timer
 - Supports low power Idle mode
 - A single-cycle 32-bit hardware multiplier
 - NVIC for the 32 interrupt inputs, each with 4-level of priority
 - Supports Serial Wire Debug (SWD) interface and two watch points/four breakpoints
- Built-in LDO for wide operating voltage ranged: 2.2 V to 5.5 V
- Memory
 - 64 Kbytes Flash memory for program memory (APROM)
 - Configurable Flash memory for data memory (Data Flash)
 - 7.5 KB Flash memory for loader (LDROM)
 - Three 0.5 KB Flash memory for security protection (SPROM0, 1, 2)
 - 16 KB SRAM for internal scratch-pad RAM (SRAM)
- Clock Control
 - Programmable system clock source
 - ◆ Switch clock sources on-the-fly
 - 4 ~ 24 MHz external crystal input (HXT)
 - 32.768 kHz external crystal input (LXT) for idle wake-up and system operation clock
 - 48(72) MHz internal oscillator (HIRC) (1% accuracy at 25°C, 5V)
 - 10 kHz internal low-power oscillator (LIRC) for Watchdog Timer and idle wake-up
- I/O Port
 - Up to 44 general-purpose I/O (GPIO) pads and 1 Reset pad
 - Four I/O modes:
 - ◆ Quasi-bidirectional input/output
 - ◆ Push-Pull output
 - ◆ Open-Drain output
 - ◆ Input only with high impedance
 - Optional TTL/Schmitt trigger input
 - I/O pin can be configured as interrupt source with edge/level setting
 - Supports high driver and high sink I/O mode
 - GPIO built-in Pull-up/Pull-low resistor for selection.
- Timer

- Provides four channel 32-bit Timers; one 8-bit pre-scalar counter with 24-bit up-timer for each timer
- Independent clock source for each timer
- Provides One-shot, Periodic, Toggle and Continuous operation modes
- 24-bit up counter value is readable through TDR (Timer Data Register)
- Provides trigger counting/free counting/counter reset function triggered by external capture pin or internal comparator signal
- Supports event counter function
- Supports Toggle Output mode
- Supports wake-up from Idle or Power-down mode
- Continuous Capture
 - Timer0, Timer1, Timer2, Timer3 and SysTick provided with continuous capture function to capture at most 4 edges continuously on one signal
- ECAP (Enhanced Input Capture)
 - One units of 24-bit input capture counter
 - Capture source:
 - ◆ I/O inputs: ECAP ports(ECAP0, ECAP1 and ECAP2)
 - ◆ ACMP Trigger
 - ◆ ADC Trigger
- QEI (Quadrature Encoder Interface)
 - One unit of Quadrature Encoder Interface with 3 inputs QEI_A, QEI_B and IDX
- WDT (Watchdog Timer)
 - Programmable clock source and time-out period
 - Supports wake-up function in Power-down mode and Idle mode
 - Interrupt or reset selectable on watchdog time-out
- EPWM
 - Supports a built-in 16-bit PWM clock generators, providing SIX PWM outputs or three complementary paired PWM outputs
 - Shared same as clock source, clock divider, period and dead-zone generator
 - Supports group/independent/complementary modes
 - Supports One-shot or Auto-reload mode
 - Supports Edge-aligned and Center-aligned type
 - Supports Asymmetric mode
 - Programmable dead-zone insertion between complementary channels
 - Each output has independent polarity setting control
 - Hardware fault brake and software brake protections
 - Support three of hardware Brake pin
 - Supports rising, falling, central, period, and fault break interrupts

- Supports duty/period trigger A/D conversion
- Timer comparing matching event trigger PWM to do phase change
- Supports comparator event trigger PWM to force PWM output low for current period
- Provides interrupt accumulation function
- BPWM
 - One 16-bit PWM generator which supports one 8-bit pre-scalar, one clock divider, two PWM timers (down counter) and one dead-zone generator
 - Two independent outputs or one complementary paired outputs.
 - PWM Interrupt request synchronized with PWM period
 - Edge-aligned type or Center-aligned type option
- USCI (Universal Serial Control Interface Controller)
 - ◆ Three USCI devices
 - ◆ USC10 & USC11 Supports to be configured as UART, SPI or I²C individually
 - ◆ USC12 Supports to be configured as UART and I²C individually
 - ◆ Supports programmable baud-rate generator
- ADC (Analog-to-Digital Converter)
 - 12-bit ADC with 1us conversion time
 - Supports 2 sample/hold
 - Up to 16-ch single-end input from I/O and one internal input from band-gap.
 - Conversion started either by software trigger, PWM trigger, ACMP trigger or external pin trigger
 - Supports temperature sensor for measurement chip temperature
 - Supports Simultaneous and Sequential function to continuous conversion 4 channels maximum.
- Programmable Gain Amplifier (PGA)
 - Supports 8 level gain selects from 1, 2, 3, 5, 7, 9, 11 and 13.
 - Unity gain frequency up to 6 MHz
- OP Amplifier
 - Rail-to-rail OPA x 3
- DAC
 - Built-in two of 12-bit DAC,
 - Be the reference voltage for ACMP, PGA, ADC or output to pins.
- Analog Comparator
 - Two analog comparators with 4 reference voltage source
 - Programmable 16-level resistor ladders (CRV)
 - Built-in 12-bit DAC for comparator reference voltage

- Band-gap voltage
 - External voltage from port pin
 - Supports Hysteresis function 0/20/90/150mV at $V_{DD} = 5V$
 - Interrupt when compared results changed
- Hardware Divider
 - Signed (two's complement) integer calculation
 - 32-bit dividend with 16-bit divisor calculation capacity
 - 32-bit quotient and 32-bit remainder outputs (16-bit remainder with sign extends to 32-bit)
 - Divided by zero warning flag
 - 6 HCLK clocks taken for one cycle calculation
 - Waiting for calculation ready automatically when reading quotient and remainder
 - Support 3 group of independent dividend, divisor, quotient and remainder registers for three times of calculation capacity
- ISP (In-System Programming) and ICP (In-Circuit Programming)
- BOD (Brown-out Detector)
 - 8 programmable threshold levels: 4.3V/4.0V/3.7V/3.0V/2.7V/2.4V/2.2V/2.0V
 - Supports Brown-out interrupt and reset option
- 96-bit unique ID
- LVR (Low Voltage Reset)
- Operating Temperature: $-40^{\circ}C \sim 105^{\circ}C$
- Reliability: EFT $> \pm 4KV$, ESD HBM pass 4KV
- Packages:
 - 48-pin LQFP(7x7mm), 48-pin QFN(7x7mm)
 - Package is Halogen-free, RoHS-compliant and TSCA-compliant.

3 ABBREVIATIONS

3.1 Abbreviations

Acronym	Description
ACMP	Analog Comparator Controller
ADC	Analog-to-Digital Converter
AHB	Advanced High-Performance Bus
APB	Advanced Peripheral Bus
BOD	Brown-out Detection
DAC	Digital -to-Analog Converter
DAP	Debug Access Port
EPWM	Enhanced Pulse Width Modulation
FIFO	First In, First Out
FMC	Flash Memory Controller
GPIO	General-Purpose Input/Output
HCLK	The Clock of Advanced High-Performance Bus
HIRC	48 MHz Internal High Speed RC Oscillator
HXT	4~24 MHz External High Speed Crystal Oscillator
ICP	In Circuit Programming
ISP	In System Programming
ISR	Interrupt Service Routine
LDO	Low Dropout Regulator
LIRC	10 kHz internal low speed RC oscillator (LIRC)
LXT	32.768 kHz External Low Speed Crystal Oscillator
NVIC	Nested Vectored Interrupt Controller
PCLK	The Clock of Advanced Peripheral Bus
PWM	Pulse Width Modulation
QEI	Quadrature Encoder Interface
SPI	Serial Peripheral Interface
SPS	Samples per Second
TMR	Timer Controller
UART	Universal Asynchronous Receiver/Transmitter
UCID	Unique Customer ID
WDT	Watchdog Timer

Table 3.1-1 List of Abbreviations

4 PARTS INFORMATION LIST AND PIN CONFIGURATION

4.1 Selection Guide

4.1.1 NuMicro® NM1230 Series Selection Guide

Note: LQFP48: 7x7mm, QFN48: 7x7mm

Part Number	Flash (KB)	SRAM (KB)	ISP Loader ROM (KB)	Data Flash	I/O	Timer	Connectivity			IRC 48/72 MHz	PWM	BPWM	Analog Comp.	PGA	OPA	ADC (12-bit)	DAC (12-bit)	Temperature Sensor	ICP/ISPI/AP	Package
							USCI													
							UART	I ² C	SPI											
NM1234D	64	16	7.5	√	44	4	3	3	2	1	6	2	2	1	3	16	2 ^a	1	√	LQFP48
NM1234Y	64	16	7.5	√	44	4	3	3	2	1	6	2	2	1	3	16	2 ^a	1	√	QFN48

Table 4.1-1 NuMicro® NM1230 Base Series Selection Guide

Note:

- a. DAC0 outputs through PGO by software configuration.

4.2 Pin Configuration

4.2.1 NuMicro® NM1230 Series LQFP48 (7x7mm) Pin Diagram

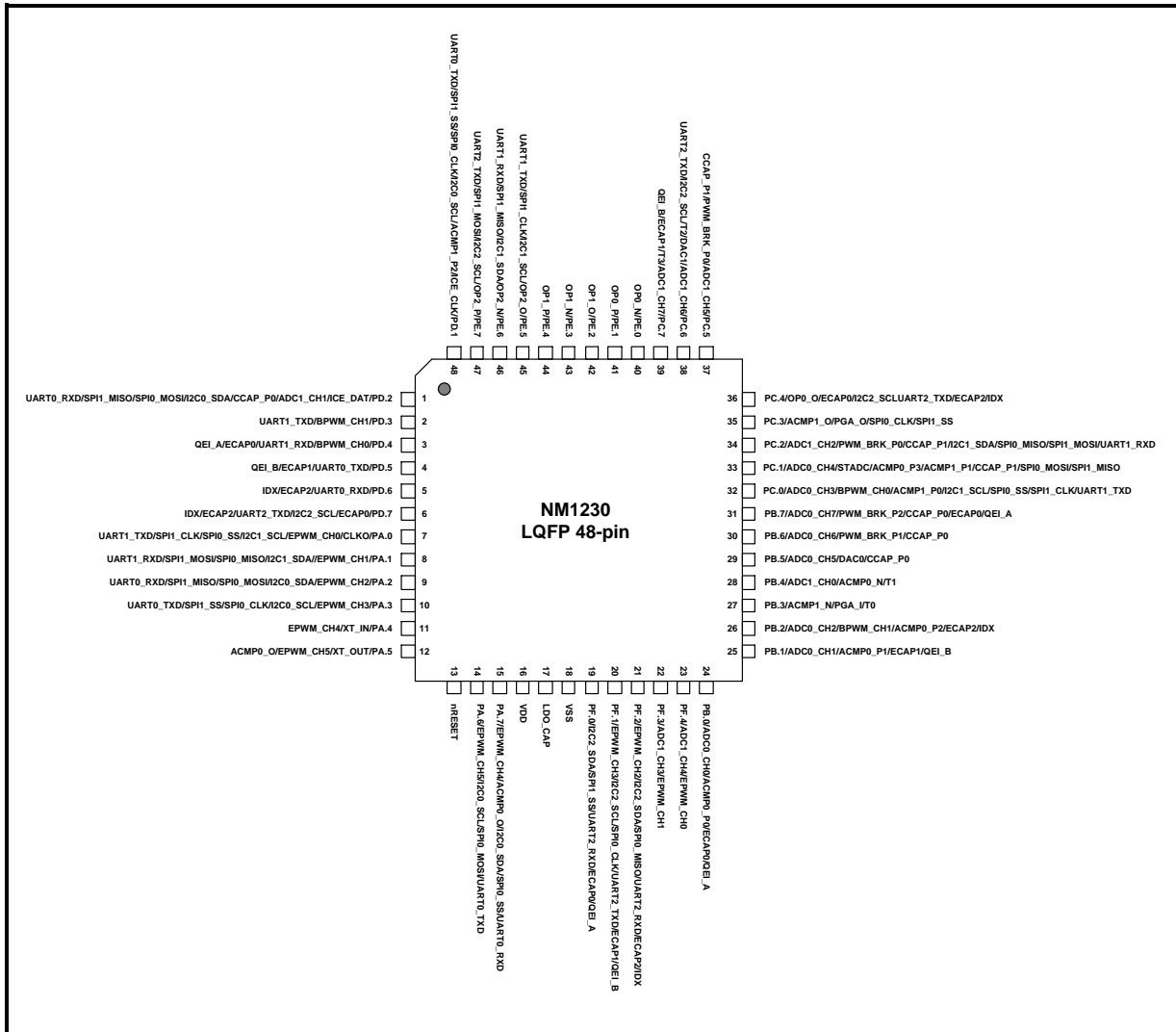


Figure 4.2-1 NuMicro® NM1230 Base Series LQFP 48-pin Diagram

4.2.2 NuMicro® NM1230 Series QFN48 (7x7mm) Pin Diagram

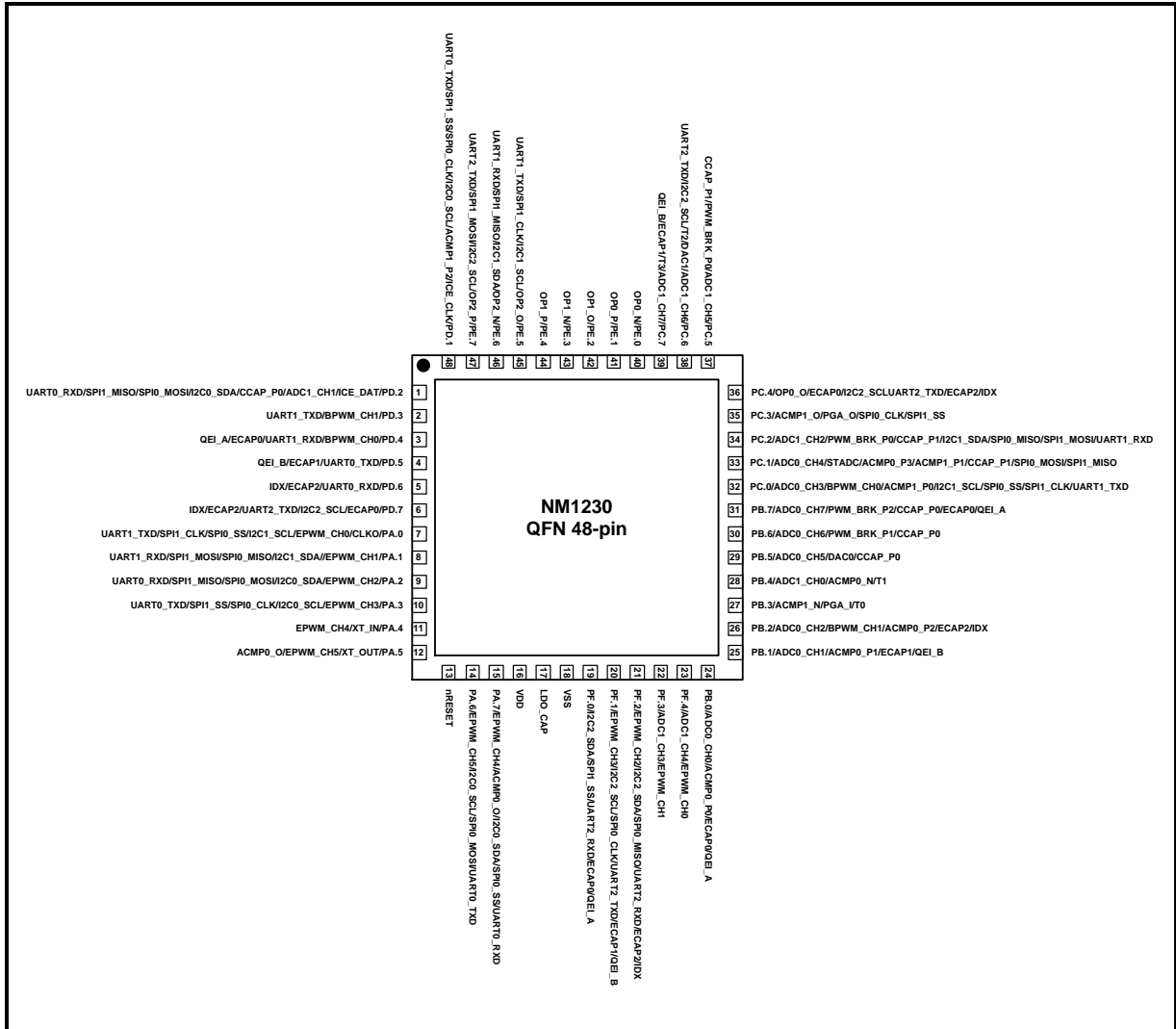


Figure 4.2-2 NuMicro® NM1230 Base Series QFN 48-pin Diagram

4.3 Pin Description

4.3.1 NM1230 Series Pin Description Overview

GPIO MFP0	ICE XTAL MFP1	ADC MFP2	PWM MFP3	ACMP0 MFP4	ACMP1 MFP5	PGA(OP) MFP6	TIMER MFP7	I2C MFP8	SPI0 MFP9	SPI1 MFPA	UART MFPB	ECAP MFPC	QEI MFPD						
GPA0	CLKO	O	EPWM_CH0	O				PC1_SCL	IO	SPI0_SS	IO	SPI1_CLK	IO	UART1_TXD	O				
GPA1			EPWM_CH1	O				PC1_SDA	IO	SPI0_MISO	IO	SPI1_MOSI	IO	UART1_RXD	I				
GPA2			EPWM_CH2	O				PC0_SDA	IO	SPI0_MOSI	IO	SPI1_MISO	IO	UART0_RXD	I				
GPA3			EPWM_CH3	O				PC0_SCL	IO	SPI0_CLK	IO	SPI1_SS	IO	UART0_TXD	O				
GPA4	XT_IN	A	EPWM_CH4	O															
GPA5	XT_OUT	A	EPWM_CH5	O	ACMP0_O	O													
GPA6			EPWM_CH5	O				PC0_SCL	IO	SPI0_MOSI	IO			UART0_TXD	IO				
GPA7			EPWM_CH4	O	ACMP0_O	O		PC0_SDA	IO	SPI0_SS	IO			UART0_RXD	IO				
GPB0		ADC0_CH0	A	ACMP0_P0	A			ECAP0	I							ECAP0	I	QEI_A	I
GPB1		ADC0_CH1	A	ACMP0_P1	A			ECAP1	I							ECAP1	I	QEI_B	I
GPB2		ADC0_CH2	A	BPWM_CH1	O	ACMP0_P2	A	ECAP2	I							ECAP2	I	IDX	I
GPB3						ACMP1_N	A	PGA_I	A	T0	IO								
GPB4		ADC1_CH0	A	ACMP0_N	A			T1	IO										
GPB5		ADC0_CH5	A	DAC0	A			CCAP_P0	I										
GPB6		ADC0_CH6	A	PWM_BRK_P1	I			CCAP_P0	I										
GPB7		ADC0_CH7	A	PWM_BRK_P2	I			CCAP_P0	I							ECAP0	I	QEI_A	I
GPC0		ADC0_CH3	A	BPWM_CH0	O	ACMP1_P0	A	PC1_SCL	IO	SPI0_SS	IO	SPI1_CLK	IO	UART1_TXD	O				
GPC1		ADC0_CH4	A	STADC	I	ACMP0_P3	A	CCAP_P1	I	SPI0_MOSI	IO	SPI1_MISO	IO						
GPC2		ADC1_CH2	A	PWM_BRK_P0	I	ACMP1_P1	A	CCAP_P1	I	PC1_SDA	IO	SPI0_MISO	IO	UART1_RXD	I				
GPC3						ACMP1_O	O	PGA_O	A	SPI0_CLK	IO	SPI1_SS	IO						
GPC4						OP0_O	A	ECAP0	I	PC2_SCL	IO			UART2_TXD	IO	ECAP2	I	IDX	I
GPC5		ADC1_CH5	A	PWM_BRK_P0	I			CCAP_P1	I										
GPC6		ADC1_CH6	A			DAC1	A	T2	IO	PC2_SCL	IO			UART2_TXD	IO				
GPC7		ADC1_CH7	A					T3	IO							ECAP1	I	QEI_B	I
nRESET																			
GPD1	ICE_CLK	I			ACMP1_P2	A		PC0_SCL	IO	SPI0_CLK	IO	SPI1_SS	IO	UART0_TXD	O				
GPD2	ICE_DAT	IO	ADC1_CH1	A				CCAP_P0	I	PC0_SDA	IO	SPI0_MOSI	IO	UART0_RXD	I				
GPD3			BPWM_CH1	O										UART1_TXD	O				
GPD4			BPWM_CH0	O										UART1_RXD	I	ECAP0	I	QEI_A	I
GPD5														UART0_TXD	IO	ECAP1	I	QEI_B	I
GPD6														UART0_RXD	IO	ECAP2	I	IDX	I
GPD7								ECAP0	I	PC2_SCL	IO			UART2_TXD	IO	ECAP2	I	IDX	I
GPE0						OP0_N	A												
GPE1						OP0_P	A												
GPE2						OP1_O	A												
GPE3						OP1_N	A												
GPE4						OP1_P	A												
GPE5						OP2_O	A	PC1_SCL	IO			SPI1_CLK	IO	UART1_TXD	O				
GPE6						OP2_N	A	PC1_SDA	IO			SPI1_MISO	IO	UART1_RXD	I				
GPE7						OP2_P	A	PC2_SCL	IO			SPI1_MOSI	IO	UART2_TXD	IO				
GPF0								PC2_SDA	IO			SPI1_SS	IO	UART2_RXD	IO	ECAP0	I	QEI_A	I
GPF1			EPWM_CH3	O				PC2_SCL	IO	SPI0_CLK	IO			UART2_TXD	IO	ECAP1	I	QEI_B	I
GPF2			EPWM_CH2	O				PC2_SDA	IO	SPI0_MISO	IO			UART2_RXD	IO	ECAP2	I	IDX	I
GPF3		ADC1_CH3	A	EPWM_CH1	O														
GPF4		ADC1_CH4	A	EPWM_CH0	O														

4.3.2 NM1230 Series Pin Description

MFP* = Multi-function pin. (Refer to section SYS_GP_x_MFP)

PA.0 MFP0 means SYS_GPA_MFP[3:0]=0x0.

PA.4 MFP5 means SYS_GPA_MFP[19:16]=0x5.

MFP only configures the output data or input data of PAD, the direction of PAD were configured by PMD.

The priority of MFP in the same multi-function was GPA > GPB > GPC > GPD > GPE > GPF.

The type A of multi-function needs to be configured to be input port.

4.3.2.1 NM1230 Series LQFP48/QFN48 Pin Description

Pin No.	Pin Name	Type	MFP*	Description
1	PD.2	I/O	MFP0	General purpose digital I/O pin.
	ICE_DAT	I/O	MFP1	Serial wired debugger data pin
	ADC1_CH1	A	MFP2	ADC1 channel analog input.
	CCAP_P0	I	MFP7	Timer Continuous Capture input pin
	I2C0_SDA	I/O	MFP8	I ² C0 data input/output pin.
	SPI0_MOSI	I/O	MFP9	SPI0 MOSI (Master Out, Slave In) pin.
	SPI1_MISO	I/O	MFPA	SPI1 MISO (Master In, Slave Out) pin.
	UART0_RXD	I	MFPB	Data receiver input pin for UART0.
2	PD.3	I/O	MFP0	General purpose digital I/O pin.
	BPWM_CH1	I/O	MFP3	PWM channel1 output/capture input.
	UART1_TXD	O	MFPB	Data transmitter output pin for UART1.
3	PD.4	I/O	MFP0	General purpose digital I/O pin.
	BPWM_CH0	I/O	MFP3	PWM channel0 output/capture input.
	UART1_RXD	I	MFPB	Data receiver input pin for UART1.
	ECAP0	I	MFPC	Enhanced Input Capture input pin
	QEI_A	I	MFPD	Quadrature Encoder input pin
4	PD.5	I/O	MFP0	General purpose digital I/O pin.
	UART0_TXD	O	MFPB	Data transmitter output pin for UART0.
	ECAP1	I	MFPC	Enhanced Input Capture input pin
	QEI_B	I	MFPD	Quadrature Encoder input pin
5	PD.6	I/O	MFP0	General purpose digital I/O pin.
	UART0_RXD	I	MFPB	Data receiver input pin for UART0.
	ECAP2	I	MFPC	Enhanced Input Capture input pin
	IDX	I	MFPD	Quadrature Encoder input pin
6	PD.7	I/O	MFP0	General purpose digital I/O pin.

Pin No.	Pin Name	Type	MFP*	Description
	ECAP_P0	I	MFP7	Enhanced Input Capture input pin
	I2C2_SCL	I/O	MFP8	I ² C2 clock pin.
	UART2_TXD	O	MFPB	Data transmitter output pin for UART0.
	ECAP2	I	MFPC	Enhanced Input Capture input pin
	IDX	I	MFPD	Quadrature Encoder input pin
7	PA.0	I/O	MFP0	General purpose digital I/O pin.
	CLKO	O	MFP1	Clock Out
	EPWM_CH0	I/O	MFP3	PWM channel0 output/capture input.
	I2C1_SCL	I/O	MFP8	I ² C1 clock pin.
	SPI0_SS	I/O	MFP9	SPI0 slave select pin.
	SPI1_CLK	I/O	MFPA	SPI1 serial clock pin
	UART1_TXD	O	MFPB	Data transmitter output pin for UART1.
8	PA.1	I/O	MFP0	General purpose digital I/O pin.
	EPWM_CH1	I/O	MFP3	PWM channel1 output/capture input.
	I2C1_SDA	I/O	MFP8	I ² C1 data input/output pin.
	SPI0_MISO	I/O	MFP9	SPI0 1st MISO (Master In, Slave Out) pin.
	SPI1_MOSI	I/O	MFPA	SPI1 MOSI (Master Out, Slave In) pin.
	UART1_RXD	I	MFPB	Data receiver input pin for UART1.
9	PA.2	I/O	MFP0	General purpose digital I/O pin.
	EPWM_CH2	I/O	MFP3	PWM channel2 output/capture input.
	I2C0_SDA	I/O	MFP8	I ² C0 data input/output pin.
	SPI0_MOSI	I/O	MFP9	SPI0 1st MOSI (Master Out, Slave In) pin.
	SPI1_MISO	I/O	MFPA	SPI1 MISO (Master In, Slave Out) pin.
	UART0_RXD	I	MFPB	Data receiver input pin for UART0.
10	PA.3	I/O	MFP0	General purpose digital I/O pin.
	EPWM_CH3	I/O	MFP3	PWM channel3 output/capture input.
	I2C0_SCL	I/O	MFP8	I ² C0 clock pin.
	SPI0_CLK	I/O	MFP9	SPI0 serial clock pin.
	SPI1_SS	I/O	MFPA	SPI1 slave select pin
	UART0_TXD	O	MFPB	Data transmitter output pin for UART0.
11	PA.4	I/O	MFP0	General purpose digital I/O pin.
	XT_IN	I	MFP1	External 4~24 MHz (high speed) crystal input pin.
	EPWM_CH4	I/O	MFP3	PWM channel4 output/capture input.

Pin No.	Pin Name	Type	MFP*	Description
12	PA.5	I/O	MFP0	General purpose digital I/O pin.
	XT_OUT	O	MFP1	External 4~24 MHz (high speed) crystal output pin.
	EPWM_CH5	I/O	MFP3	PWM channel5 output/capture input.
	ACMP0_O	O	MFP4	Analog comparator0 output.
13	nRESET	I		External reset input: active LOW, with an internal pull-up. Set this pin low reset to initial state.
14	PA.6	I/O	MFP0	General purpose digital I/O pin.
	EPWM_CH5	I/O	MFP3	PWM channel5 output/capture input.
	I2C0_SCL	I/O	MFP8	I ² C0 clock pin.
	SPI0_MOSI	I/O	MFP9	SPI0 1st MOSI (Master Out, Slave In) pin.
	UART0_TXD	O	MFPB	Data transmitter output pin for UART0.
15	PA.7	I/O	MFP0	General purpose digital I/O pin.
	EPWM_CH4	I/O	MFP3	PWM channel5 output/capture input.
	ACMP0_O	O	MFP4	Analog comparator0 output.
	I2C0_SDA	I/O	MFP8	I ² C0 data input/output pin.
	SPI0_SS	I/O	MFP9	SPI0 slave select pin
	UART0_RXD	I	MFPB	Data receiver input pin for UART0.
16	V _{DD}	PWR	--	Ground pin for digital circuit.
17	LDO_CAP	A	--	LDO output pin. Note: Recommend to connect a 1uF CAP to the pin.
18	V _{SS}	PWR	--	Ground pin for digital circuit.
19	PF.0	I/O	MFP0	General purpose digital I/O pin.
	I2C2_SDA	I/O	MFP8	I ² C2 data input/output pin.
	SPI1_SS	I/O	MFPA	SPI1 slave select pin
	UART2_RXD	I	MFPB	Data receiver input pin for UART2.
	ECAP0	I	MFPC	Enhanced Input Capture input pin
	QE1_A	I	MFPD	Quadrature Encoder input pin
20	PF.1	I/O	MFP0	General purpose digital I/O pin.
	EPWM_CH3	I/O	MFP3	PWM channel3 output/capture input.
	I2C2_SCL	I/O	MFP8	I ² C2 clock pin.
	SPI0_CLK	I/O	MFP9	SPI0 serial clock pin.
	UART2_TXD	O	MFPB	Data transmitter output pin for UART2.
	ECAP1	I	MFPC	Enhanced Input Capture input pin
	QE1_B	I	MFPD	Quadrature Encoder input pin

Pin No.	Pin Name	Type	MFP*	Description
21	PF.2	I/O	MFP0	General purpose digital I/O pin.
	EPWM_CH2	I/O	MFP3	PWM channel2 output/capture input.
	I2C2_SDA	I/O	MFP8	I ² C2 data input/output pin.
	SPI0_MISO	I/O	MFP9	SPI0 1st MISO (Master In, Slave Out) pin.
	UART2_RXD	I	MFPB	Data receiver input pin for UART2.
	ECAP2	I	MFPC	Enhanced Input Capture input pin
	IDX	I	MFPD	Quadrature Encoder input pin
22	PF.3	I/O	MFP0	General purpose digital I/O pin.
	ADC1_CH3	A	MFP2	ADC1 channel analog input.
	EPWM_CH1	I/O	MFP3	PWM channel1 output/capture input.
23	PF.4	I/O	MFP0	General purpose digital I/O pin.
	ADC1_CH4	A	MFP2	ADC1 channel analog input.
	EPWM_CH0	I/O	MFP3	PWM channel0 output/capture input.
24	PB.0	I/O	MFP0	General purpose digital I/O pin.
	ADC0_CH0	A	MFP2	ADC0 channel analog input.
	ACMP0_P0	A	MFP4	Analog comparator0 positive input pin.
	ECAP0	I	MFP7	Enhanced Input Capture input pin
	ECAP0	I	MFPC	Enhanced Input Capture input pin
	QEI_A	I	MFPD	Quadrature Encoder input pin
25	PB.1	I/O	MFP0	General purpose digital I/O pin.
	ADC0_CH1	A	MFP2	ADC0 channel analog input.
	ACMP0_P1	A	MFP4	Analog comparator0 positive input pin.
	ECAP1	I	MFP7	Enhanced Input Capture input pin
	ECAP1	I	MFPC	Enhanced Input Capture input pin
	QEI_B	I	MFPD	Quadrature Encoder input pin
26	PB.2	I/O	MFP0	General purpose digital I/O pin.
	ADC0_CH2	A	MFP2	ADC0 channel analog input.
	BPWM_CH1	I/O	MFP3	PWM channel1 output/capture input.
	ACMP0_P2	A	MFP4	Analog comparator0 positive input pin.
	ECAP2	I	MFP7	Enhanced Input Capture input pin
	ECAP2	I	MFPC	Enhanced Input Capture input pin
	IDX	I	MFPD	Quadrature Encoder input pin
27	PB.3	I/O	MFP0	General purpose digital I/O pin.

Pin No.	Pin Name	Type	MFP*	Description
	ACMP1_N	A	MFP5	Analog comparator1 negative input pin.
	PGA_I	A	MFP6	PGA input pin
	T0	I/O	MFP7	Timer0event counter input / toggle output
28	PB.4	I/O	MFP0	General purpose digital I/O pin.
	ADC1_CH0	A	MFP2	ADC1 channel analog input.
	ACMP0_N	A	MFP4	Analog comparator0 negative input pin.
	T1	I/O	MFP7	Timer1 event counter input / toggle output
29	PB.5	I/O	MFP0	General purpose digital I/O pin.
	ADC0_CH5	A	MFP2	ADC0 channel analog input.
	DAC0	A	MFP4	DAC0 analog output.
	CCAP_P0	I	MFP7	Timer Continuous Capture input pin
30	PB.6	I/O	MFP0	General purpose digital I/O pin.
	ADC0_CH6	A	MFP2	ADC0 channel analog input.
	PWM_BRK_P1	I	MFP3	Brake input pin of EPWM.
	CCAP_P0	I	MFP7	Timer Continuous Capture input pin
31	PB.7	I/O	MFP0	General purpose digital I/O pin.
	ADC0_CH7	A	MFP2	ADC0 channel analog input.
	PWM_BRK_P2	I	MFP3	Brake input pin of EPWM.
	CCAP_P0	I	MFP7	Timer Continuous Capture input pin
	ECAP0	I	MFPC	Enhanced Input Capture input pin
	QEI_A	I	MFPD	Quadrature Encoder input pin
32	PC.0	I/O	MFP0	General purpose digital I/O pin.
	ADC0_CH3	A	MFP2	ADC0 channel analog input.
	BPWM_CH0	O	MFP3	BPWM channel1 output input.
	ACMP1_P0	A	MFP5	Analog comparator1 positive input pin.
	I2C1_SCL	I/O	MFP8	I ² C1 clock pin.
	SPI0_SS	I/O	MFP9	SPI1 slave select pin
	SPI1_CLK	I/O	MFPA	SPI1 serial clock pin
	UART1_TXD	O	MFPB	Data transmitter output pin for UART1.
33	PC.1	I/O	MFP0	General purpose digital I/O pin.
	ADC0_CH4	A	MFP2	ADC0 channel analog input.
	STADC	I	MFP3	ADC external trigger input.
	ACMP0_P3	A	MFP4	Analog comparator0 positive input pin.

Pin No.	Pin Name	Type	MFP*	Description
	ACMP1_P1	A	MFP5	Analog comparator1 positive input pin.
	CCAP_P1	I	MFP7	Timer Continuous Capture input pin
	SPI0_MOSI	I/O	MFP9	SPI0 1st MOSI (Master Out, Slave In) pin.
	SPI1_MISO	I/O	MFPA	SPI1 MISO (Master In, Slave Out) pin.
34	PC.2	I/O	MFP0	General purpose digital I/O pin.
	ADC1_CH2	A	MFP2	ADC1 channel analog input.
	PWM_BRK_P0	I	MFP3	Brake input pin of EPWM.
	CCAP_P1	I	MFP7	Timer Continuous Capture input pin
	I2C1_SDA	I/O	MFP8	I ² C1 data input/output pin.
	SPI0_MISO	I/O	MFP9	SPI0 1st MISO (Master In, Slave Out) pin.
	SPI1_MOSI	I/O	MFPA	SPI1 MOSI (Master Out, Slave In) pin.
	UART1_RXD	I	MFPB	Data receiver input pin for UART1.
35	PC.3	I/O	MFP0	General purpose digital I/O pin.
	ACMP1_O	O	MFP5	Analog comparator1 output.
	PGA_O	A	MFP6	PGA output pin
	SPI0_CLK	I/O	MFP9	SPI0 serial clock pin.
	SPI1_SS	I/O	MFPA	SPI1 slave select pin
36	PC.4	I/O	MFP0	General purpose digital I/O pin.
	OP0_O	A	MFP6	Operational Amplifier output pin
	ECAP0	I	MFP7	Enhanced Input Capture input pin
	I2C2_SCL	I/O	MFP8	I ² C2 clock pin.
	UART2_TXD	O	MFPB	Data transmitter output pin for UART2.
	ECAP2	I	MFPC	Enhanced Input Capture input pin
37	IDX	I	MFPD	Quadrature Encoder input pin
	PC.5	I/O	MFP0	General purpose digital I/O pin.
	ADC1_CH5	A	MFP2	ADC1 channel analog input.
	PWM_BRK_P0	I	MFP3	Brake input pin of EPWM.
38	CCAP_P1	I	MFP7	Timer Continuous Capture input pin
	PC.6	I/O	MFP0	General purpose digital I/O pin.
	ADC1_CH6	A	MFP2	ADC1 channel analog input.
	DAC1	A	MFP5	DAC1 analog output.
	T2	I/O	MFP7	Timer2 event counter input / toggle output
	I2C2_SCL	I/O	MFP8	I ² C2 clock pin.

Pin No.	Pin Name	Type	MFP*	Description
	UART2_TXD	O	MFPB	Data transmitter output pin for UART2.
39	PC.7	I/O	MFP0	General purpose digital I/O pin.
	ADC1_CH7	A	MFP2	ADC1 channel analog input.
	T3	I/O	MFP7	Timer3 event counter input / toggle output
	ECAP1	I	MFPC	Enhanced Input Capture input pin
	QEI_B	I	MFPD	Quadrature Encoder input pin
40	PE.0	I/O	MFP0	General purpose digital I/O pin.
	OP0_N	A	MFP7	Operational Amplifier Negative input pin
41	PE.1	I/O	MFP0	General purpose digital I/O pin.
	OP0_P	A	MFP7	Operational Amplifier Positive input pin
42	PE.2	I/O	MFP0	General purpose digital I/O pin.
	OP1_O	A	MFP7	Operational Amplifier output pin
43	PE.3	I/O	MFP0	General purpose digital I/O pin.
	OP1_N	A	MFP7	Operational Amplifier Negative input pin
44	PE.4	I/O	MFP0	General purpose digital I/O pin.
	OP1_P	A	MFP7	Operational Amplifier Positive input pin
45	PE.5	I/O	MFP0	General purpose digital I/O pin.
	OP2_O	A	MFP7	Operational Amplifier output pin
	I2C1_SCL	I/O	MFP8	I ² C1 clock pin.
	SPI1_CLK	I/O	MFPA	SPI1 serial clock pin
	UART1_TXD	O	MFPB	Data transmitter output pin for UART1.
46	PE.6	I/O	MFP0	General purpose digital I/O pin.
	OP2_N	A	MFP7	Operational Amplifier Negative input pin
	I2C1_SDA	I/O	MFP8	I ² C1 data input/output pin.
	SPI1_MISO	I/O	MFPA	SPI0 1st MISO (Master In, Slave Out) pin.
	UART1_RXD	I	MFPB	Data receiver input pin for UART1.
47	PE.7	I/O	MFP0	General purpose digital I/O pin.
	OP2_P	A	MFP7	Operational Amplifier Positive input pin
	I2C2_SCL	I/O	MFP8	I ² C1 clock pin.
	SPI1_MOSI	I/O	MFPA	SPI1 MOSI (Master Out, Slave In) pin.
	UART2_TXD	O	MFPB	Data transmitter output pin for UART2.
48	PD.1	I/O	MFP0	General purpose digital I/O pin.
	ICE_CLK	I	MFP1	Serial wired debugger clock pin

Pin No.	Pin Name	Type	MFP*	Description
	ACMP1_P2	A	MFP5	Analog comparator1 positive input pin.
	I2C0_SCL	I/O	MFP8	I ² C0 clock pin.
	SPI0_CLK	I/O	MFP9	SPI0 serial clock pin.
	SPI1_SS	I/O	MFPA	SPI1 slave select pin
	UART0_TXD	O	MFPB	Data transmitter output pin for UART0.

Table 4.3-1 LQFP48/QFN48 Pin Description

Note:

1. Do not leave the pins ICE_CLK and ICE_DAT in floating when MCU is in operatoin. User may refer to one of the following methods
 - a. Add external pull-up or pull-low resistors at pins.
 - b. Set the 2 pins in Quasi-mode and output high to be equivelant to internal pull high.
 - c. Enable intenal pull-up by setting PD_PHEN[2:1] = 11b.
 - d. Be wired to other deivce without floating at pins.

4.3.3 GPIO Multi-function Pin Summary

MFP* = Multi-function pin. (Refer to section SYS_GPx_MFP)

PA.0 MFP0 means SYS_GPA_MFP[3:0]=0x0.

PA.4 MFP5 means SYS_GPA_MFP[19:16]=0x5.

Group	Pin Name	GPIO	MFP*	Type	Description
ACMP0	ACMP0_P0	PB.0	MFP4	A	Comparator0 positive input pin.
	ACMP0_P1	PB.1	MFP4	A	Comparator0 positive input pin.
	ACMP0_P2	PB.2	MFP4	A	Comparator0 positive input pin.
	ACMP0_P3	PC.1	MFP4	A	Comparator0 positive input pin.
	ACMP0_N	PB.4	MFP4	A	Comparator0 negative input pin.
	ACMP0_O	PA.7	MFP4	O	Comparator0 output pin.
	ACMP0_O	PA.5	MFP4	O	Comparator0 output pin.
ACMP1	ACMP1_P0	PC.0	MFP5	A	Comparator1 positive input pin.
	ACMP1_P1	PC.1	MFP5	A	Comparator1 positive input pin.
	ACMP1_P2	PD.1	MFP5	A	Comparator1 positive input pin.
	ACMP1_N	PB.3	MFP5	A	Comparator1 negative input pin.
	ACMP1_O	PC.3	MFP5	O	Comparator1 output pin.
STADC	STADC	PC.1	MFP3	I	External ADC trigger input pin.
ADC0	ADC0_CH0	PB.0	MFP2	A	ADC0 analog input channel 0.
	ADC0_CH1	PB.1	MFP2	A	ADC0 analog input channel 1.
	ADC0_CH2	PB.2	MFP2	A	ADC0 analog input channel 2.
	ADC0_CH3	PC.0	MFP2	A	ADC0 analog input channel 3.
	ADC0_CH4	PC.1	MFP2	A	ADC0 analog input channel 4.
	ADC0_CH5	PB.5	MFP2	A	ADC0 analog input channel 5.
	ADC0_CH6	PB.6	MFP2	A	ADC0 analog input channel 6.
	ADC0_CH7	PB.7	MFP2	A	ADC0 analog input channel 7.
ADC1	ADC1_CH0	PB.4	MFP2	A	ADC1 analog input channel 0.
	ADC1_CH1	PD.2	MFP2	A	ADC1 analog input channel 1.
	ADC1_CH2	PC.2	MFP2	A	ADC1 analog input channel 2.
	ADC1_CH3	PF.3	MFP2	A	ADC1 analog input channel 3.
	ADC1_CH4	PF.4	MFP2	A	ADC1 analog input channel 4.
	ADC1_CH5	PC.5	MFP2	A	ADC1 analog input channel 5.
	ADC1_CH6	PC.6	MFP2	A	ADC1 analog input channel 6.
	ADC1_CH7	PC.7	MFP2	A	ADC1 analog input channel 7.
CLKO	CLKO	PA.0	MFP1	O	Clock output pin.

BPWM	BPWM_CH0	PC.0	MFP3	O	Basic PWM channel 0 output
	BPWM_CH0	PD.4	MFP3	O	Basic PWM channel 0 output
	BPWM_CH1	PB.2	MFP3	O	Basic PWM channel 1 output
	BPWM_CH1	PD.3	MFP3	O	Basic PWM channel 1 output
CCAP	CCAP_P0	PB.5	MFP7	I	Continuous Capture Input
	CCAP_P0	PB.6	MFP7	I	Continuous Capture Input
	CCAP_P0	PB.7	MFP7	I	Continuous Capture Input
	CCAP_P0	PD.2	MFP7	I	Continuous Capture Input
	CCAP_P1	PC.1	MFP7	I	Continuous Capture Input
	CCAP_P1	PC.2	MFP7	I	Continuous Capture Input
	CCAP_P1	PC.5	MFP7	I	Continuous Capture Input
ECAP	ECAP_P0	PB.0	MFP7,MFPC	I	Input capture channel 0
	ECAP_P0	PB.7	MFPC	I	Input capture channel 0
	ECAP_P0	PC.4	MFP7	I	Input capture channel 0
	ECAP_P0	PD.4	MFPC	I	Input capture channel 0
	ECAP_P0	PD.7	MFP7	I	Input capture channel 0
	ECAP_P0	PF.0	MFPC	I	Input capture channel 0
	ECAP_P1	PB.1	MFP7,MFPC	I	Input capture channel 1
	ECAP_P1	PC.7	MFPC	I	Input capture channel 1
	ECAP_P1	PD.5	MFPC	I	Input capture channel 1
	ECAP_P1	PF.1	MFPC	I	Input capture channel 1
	ECAP_P2	PB.2	MFP7,MFPC	I	Input capture channel 2
	ECAP_P2	PC.4	MFPC	I	Input capture channel 2
	ECAP_P2	PD.6	MFPC	I	Input capture channel 2
	ECAP_P2	PD.7	MFPC	I	Input capture channel 2
	ECAP_P2	PF.2	MFPC	I	Input capture channel 2
QEI	QEI_A	PB.0	MFPD	I	QEI channel input
	QEI_A	PB.7	MFPD	I	QEI channel input
	QEI_A	PD.4	MFPD	I	QEI channel input
	QEI_A	PF.0	MFPD	I	QEI channel input
	QEI_B	PB.1	MFPD	I	QEI channel input
	QEI_B	PC.7	MFPD	I	QEI channel input
	QEI_B	PD.5	MFPD	I	QEI channel input
	QEI_B	PF.1	MFPD	I	QEI channel input

	IDX	PB.2	MFPD	I	QEI channel input
	IDX	PC.4	MFPD	I	QEI channel input
	IDX	PD.6	MFPD	I	QEI channel input
	IDX	PD.7	MFPD	I	QEI channel input
	IDX	PF.2	MFPD	I	QEI channel input
EPWM	PWM_BRK_P0	PC.2	MFP3	I	EPWM brake pin.
	PWM_BRK_P0	PC.5	MFP3	I	EPWM brake pin.
	PWM_BRK_P1	PB.6	MFP3	I	EPWM brake pin.
	PWM_BRK_P2	PB.7	MFP3	I	EPWM brake pin.
	EPWM_CH5	PA.5	MFP3	O	Enhanced PWM output pin.
	EPWM_CH5	PA.6	MFP3	O	Enhanced PWM output pin.
	EPWM_CH4	PA.4	MFP3	O	Enhanced PWM output pin.
	EPWM_CH4	PA.7	MFP3	O	Enhanced PWM output pin.
	EPWM_CH3	PA.3	MFP3	O	Enhanced PWM output pin.
	EPWM_CH3	PF.1	MFP3	O	Enhanced PWM output pin.
	EPWM_CH2	PA.2	MFP3	O	Enhanced PWM output pin.
	EPWM_CH2	PF.2	MFP3	O	Enhanced PWM output pin.
	EPWM_CH1	PA.1	MFP3	O	Enhanced PWM output pin.
	EPWM_CH1	PF.3	MFP3	O	Enhanced PWM output pin.
	EPWM_CH0	PA.0	MFP3	O	Enhanced PWM output pin.
	EPWM_CH0	PF.4	MFP3	O	Enhanced PWM output pin.
nRESET	nRESET	--	--	I	External reset pin, internal pull-high.
I2C0	I2C0_SCL	PA.3	MFP8	I/O	I ² C0 clock pin.
	I2C0_SCL	PA.6	MFP8	I/O	I ² C0 clock pin.
	I2C0_SCL	PD.1	MFP8	I/O	I ² C0 clock pin.
	I2C0_SDA	PA.2	MFP8	I/O	I ² C0 data pin.
	I2C0_SDA	PA.7	MFP8	I/O	I ² C0 data pin.
	I2C0_SDA	PD.2	MFP8	I/O	I ² C0 data pin.
I2C1	I2C1_SCL	PA.0	MFP8	I/O	I ² C1 clock pin.
	I2C1_SCL	PC.0	MFP8	I/O	I ² C1 clock pin.
	I2C1_SCL	PE.5	MFP8	I/O	I ² C1 clock pin.
	I2C1_SDA	PA.1	MFP8	I/O	I ² C1 data pin.
	I2C1_SDA	PC.2	MFP8	I/O	I ² C1 data pin.
	I2C1_SDA	PE.6	MFP8	I/O	I ² C1 data pin.

I2C2	I2C2_SCL	PC.4	MFP8	I/O	I ² C2 clock pin.
	I2C2_SCL	PC.6	MFP8	I/O	I ² C2 clock pin.
	I2C2_SCL	PD.7	MFP8	I/O	I ² C2 clock pin.
	I2C2_SCL	PE.7	MFP8	I/O	I ² C2 clock pin.
	I2C2_SCL	PF.1	MFP8	I/O	I ² C2 clock pin.
	I2C2_SDA	PF.0	MFP8	I/O	I ² C2 data pin.
	I2C2_SDA	PF.2	MFP8	I/O	I ² C2 data pin.
PGA	PGA_I	PB.3	MFP6	A	PGA analog input pin.
	PGA_O	PC.3	MFP6	A	PGA analog output pin.
DAC	DAC0	PB.5	MFP4	A	DAC0 analog output pin.
	DAC1	PC.6	MFP5	A	DAC1 analog output pin.
OP	OP0_O	PC.4	MFP6	A	OP0 analog output pin.
	OP0_N	PE.0	MFP6	A	OP0 analog input pin.
	OP0_P	PE.1	MFP6	A	OP0 analog input pin.
	OP1_O	PE.2	MFP6	A	OP1 analog output pin.
	OP1_N	PE.3	MFP6	A	OP1 analog input pin.
	OP1_P	PE.4	MFP6	A	OP1 analog input pin.
	OP2_O	PE.5	MFP6	A	OP2 analog output pin.
	OP2_N	PE.6	MFP6	A	OP2 analog input pin.
	OP2_P	PE.7	MFP6	A	OP2 analog input pin.
SPI0	SPI0_MOSI	PA.2	MFP9	I/O	SPI0 MOSI (Master Out, Slave In) pin.
	SPI0_MOSI	PA.6	MFP9	I/O	SPI0 MOSI (Master Out, Slave In) pin.
	SPI0_MOSI	PC.1	MFP9	I/O	SPI0 MOSI (Master Out, Slave In) pin.
	SPI0_MOSI	PD.2	MFP9	I/O	SPI0 MOSI (Master Out, Slave In) pin.
	SPI0_MISO	PA.1	MFP9	I/O	SPI0 MISO (Master In, Slave Out) pin.
	SPI0_MISO	PC.2	MFP9	I/O	SPI0 MISO (Master In, Slave Out) pin.
	SPI0_MISO	PF.2	MFP9	I/O	SPI0 MISO (Master In, Slave Out) pin.
	SPI0_CLK	PA.3	MFP9	I/O	SPI0 clock pin.
	SPI0_CLK	PC.3	MFP9	I/O	SPI0 clock pin.
	SPI0_CLK	PD.1	MFP9	I/O	SPI0 clock pin.
	SPI0_CLK	PF.1	MFP9	I/O	SPI0 clock pin.
	SPI0_SS	PA.0	MFP9	I	SPI0 slave selection pin.
	SPI0_SS	PA.7	MFP9	I	SPI0 slave selection pin.
	SPI0_SS	PC.0	MFP9	I	SPI0 slave selection pin.

SPI1	SPI1_MOSI	PA.1	MFPA	I/O	SPI1 MOSI (Master Out, Slave In) pin.
	SPI1_MOSI	PC.2	MFPA	I/O	SPI1 MOSI (Master Out, Slave In) pin.
	SPI1_MOSI	PE.7	MFPA	I/O	SPI1 MOSI (Master Out, Slave In) pin.
	SPI1_MISO	PA.2	MFPA	I/O	SPI1 MISO (Master In, Slave Out) pin
	SPI1_MISO	PC.1	MFPA	I/O	SPI1 MISO (Master In, Slave Out) pin
	SPI1_MISO	PD.2	MFPA	I/O	SPI1 MISO (Master In, Slave Out) pin
	SPI1_MISO	PE.6	MFPA	I/O	SPI1 MISO (Master In, Slave Out) pin
	SPI1_CLK	PA.0	MFPA	I/O	SPI1 clock pin.
	SPI1_CLK	PC.0	MFPA	I/O	SPI1 clock pin.
	SPI1_CLK	PE.5	MFPA	I/O	SPI1 clock pin.
	SPI1_SS	PA.3	MFPA	I/O	SPI1 Slave Select
	SPI1_SS	PC.3	MFPA	I/O	SPI1 Slave Select
	SPI1_SS	PD.1	MFPA	I/O	SPI1 Slave Select
	SPI1_SS	PF.0	MFPA	I/O	SPI1 Slave Select
TM0	TM0	PB.3	MFP7	I	Timer0 event counter input / toggle output
TM1	TM1	PB.4	MFP7	I	Timer1 event counter input / toggle output
TM2	TM2	PC.6	MFP7	I	Timer2 event counter input / toggle output
TM3	TM3	PC.7	MFP7	I	Timer3 event counter input / toggle output
XTAL	XT_OUT	PA.5	MPF1	A	External crystal output pin.
	XT_IN	PA.4	MFP1	A	External crystal input pin.
UART0	UART0_TXD	PA.3	MFPB	O	UART0 data transmitter output pin.
	UART0_TXD	PA.6	MFPB	O	UART0 data transmitter output pin.
	UART0_TXD	PD.1	MFPB	O	UART0 data transmitter output pin.
	UART0_TXD	PD.5	MFPB	O	UART0 data transmitter output pin.
	UART0_RXD	PA.2	MFPB	I	UART0 data receiver input pin.
	UART0_RXD	PA.7	MFPB	I	UART0 data receiver input pin.
	UART0_RXD	PD.2	MFPB	I	UART0 data receiver input pin.
UART1	UART1_TXD	PA.0	MFPB	O	UART1 data transmitter output pin.
	UART1_TXD	PC.0	MFPB	O	UART1 data transmitter output pin.
	UART1_TXD	PD.3	MFPB	O	UART1 data transmitter output pin.
	UART1_TXD	PE.5	MFPB	O	UART1 data transmitter output pin.
	UART1_RXD	PA.1	MFPB	I	UART1 data receiver input pin.
	UART1_RXD	PC.2	MFPB	I	UART1 data receiver input pin.

	UART1_RXD	PD.4	MFPB	I	UART1 data receiver input pin.
	UART1_RXD	PE.6	MFPB	I	UART1 data receiver input pin.
UART2	UART2_TXD	PC.4	MFPB	O	UART2 data transmitter output pin.
	UART2_TXD	PC.6	MFPB	O	UART2 data transmitter output pin.
	UART2_TXD	PD.7	MFPB	O	UART2 data transmitter output pin.
	UART2_TXD	PE.7	MFPB	O	UART2 data transmitter output pin.
	UART2_TXD	PF.1	MFPB	O	UART2 data transmitter output pin.
	UART2_RXD	PF.0	MFPB	I	UART2 data receiver input pin.
	UART2_RXD	PF.2	MFPB	I	UART2 data receiver input pin.
ICE	ICE_DAT	PD.2	MFP1	I/O	Serial wired debugger data pin
	ICE_CLK	PD.1	MFP1	I	Serial wired debugger clock pin

Table 4.3-2 LQFP48 Multi-function Pin Summary

5 BLOCK DIAGRAM

5.1 NuMicro® NM1230 Block Diagram

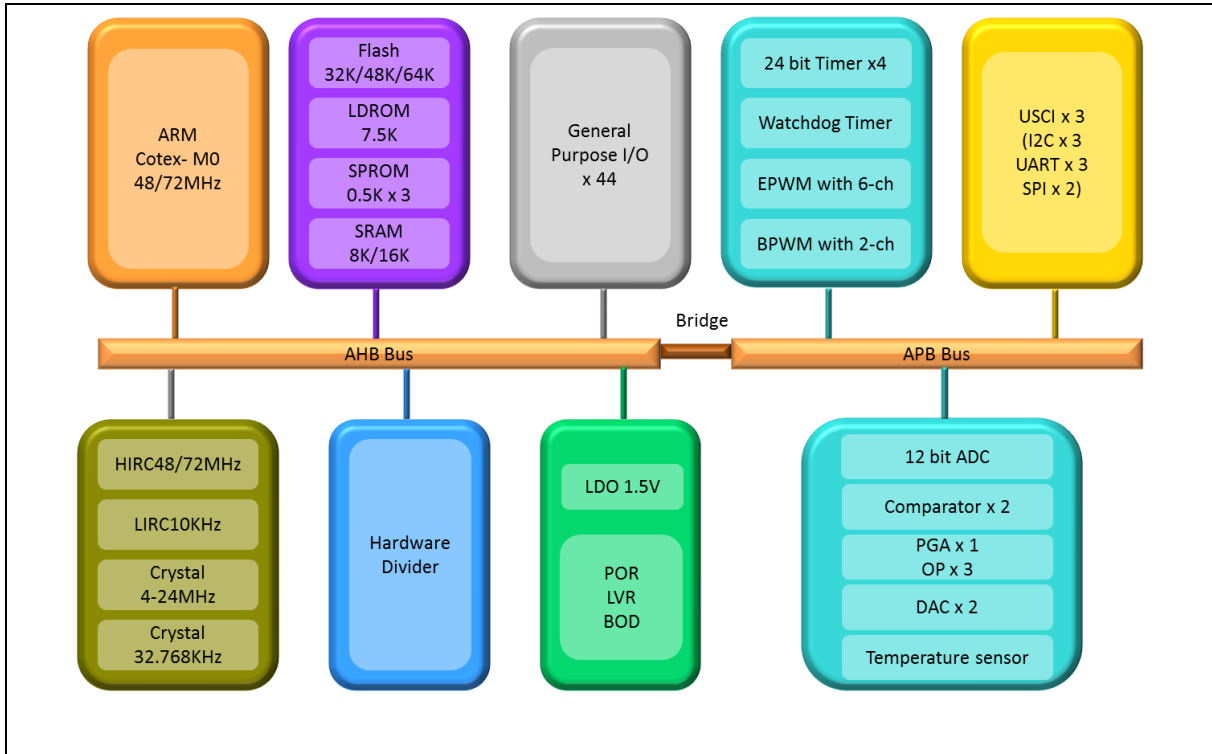


Figure 5.1-1 NuMicro® NM1230 Block Diagram

6 FUNCTIONAL DESCRIPTION

6.1 ARM® Cortex®-M0 Core

6.1.1 Overview

The Cortex®-M0 processor is a configurable, multistage, 32-bit RISC processor, which has an AMBA AHB-Lite interface and includes an NVIC component. It also has optional hardware debug functionality. The processor can execute Thumb code and is compatible with other Cortex®-M profile processor. The profile supports two modes – Thread mode and Handler mode. Handler mode is entered as a result of an exception. An exception return can only be issued in Handler mode. Thread mode is entered on Reset, and can be entered as a result of an exception return. Figure 6.1-1 shows the functional controller of processor.

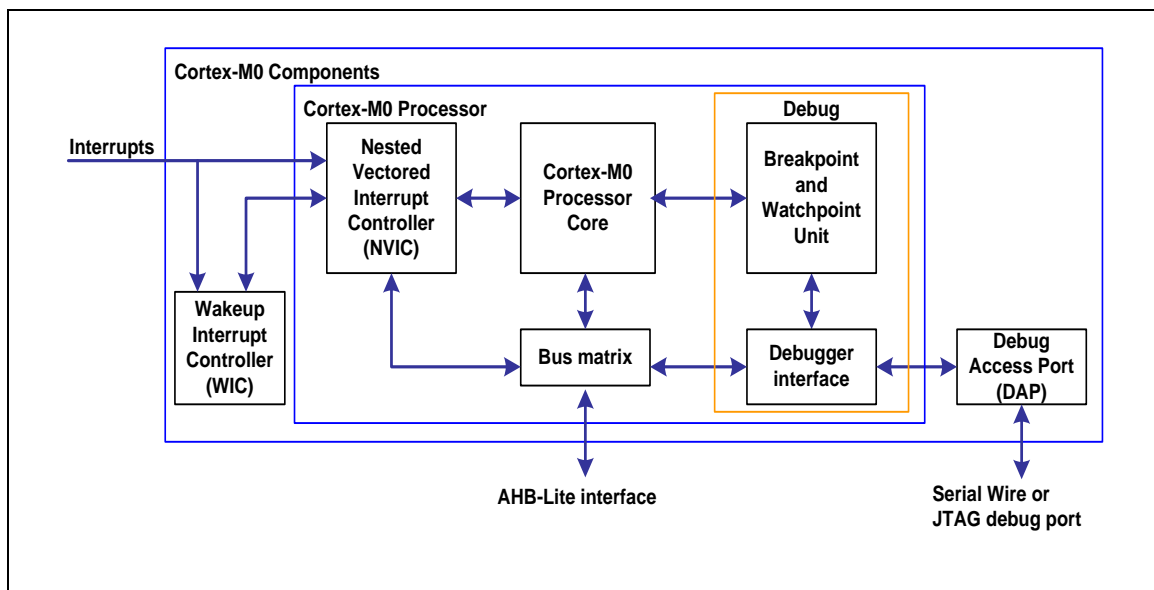


Figure 6.1-1 Functional Block Diagram

6.1.2 Features

The implemented device provides:

- A low gate count processor:
 - ARMv6-M Thumb® instruction set
 - Thumb-2 technology
 - ARMv6-M compliant 24-bit SysTick timer
 - A 32-bit hardware multiplier
 - System interface supported with little-endian data accesses
 - Ability to have deterministic, fixed-latency, interrupt handling
 - Load/store-multiples and multicycle-multiplies that can be abandoned and restarted to facilitate rapid interrupt handling

- C Application Binary Interface compliant exception model. This is the ARMv6-M, C Application Binary Interface (C-ABI) compliant exception model that enables the use of pure C functions as interrupt handlers
- Low Power Sleep mode entry using the Wait For Interrupt (WFI), Wait For Event (WFE) instructions, or return from interrupt sleep-on-exit feature
- NVIC:
 - 32 external interrupt inputs, each with four levels of priority
 - Dedicated Non-maskable Interrupt (NMI) input
 - Supports for both level-sensitive and pulse-sensitive interrupt lines
 - Supports Wake-up Interrupt Controller (WIC) and, providing Ultra-low Power Sleep mode
- Debug support:
 - Four hardware breakpoints
 - Two watchpoints
 - Program Counter Sampling Register (PCSR) for non-intrusive code profiling
 - Single step and vector catch capabilities
- Bus interfaces:
 - Single 32-bit AMBA-3 AHB-Lite system interface that provides simple integration to all system peripherals and memory
 - Single 32-bit slave port that supports the DAP (Debug Access Port)

6.2 System Manager

6.2.1 Overview

System management includes the following sections:

- System Reset
- System Power Architecture
- System Memory Map
- System management registers for Part Number ID, chip reset and on-chip controllers reset, and multi-functional pin control
- System Timer (SysTick)
- Nested Vectored Interrupt Controller (NVIC)
- System Control registers

6.2.2 System Reset

The system reset can be issued by one of the events listed below. These reset event flags can be read from SYS_RSTSTS register to determine the reset source. Hardware reset can reset chip through peripheral reset signals. Software reset can trigger reset through control registers.

- Hardware Reset Sources
 - Power-on Reset (POR)
 - Low level on the nRESET pin
 - Watchdog Timer Time-out Reset (WDT)
 - Low Voltage Reset (LVR)
 - Brown-out Detector Reset (BOD Reset)
- Software Reset Sources
 - CHIP Reset will reset whole chip by writing 1 to CHIPRST (SYS_IPRST0[0])
 - MCU Reset to reboot but keeping the booting setting from APROM or LDROM by writing 1 to SYSRESETREQ (SCS_AIRCR[2], Application Interrupt and Reset Control Register, address = 0xE00ED0C) in system control registers of Cortex®-M0 core.
 - CPU Reset for Cortex®-M0 core Only by writing 1 to CPURST (SYS_IPRST0[1])

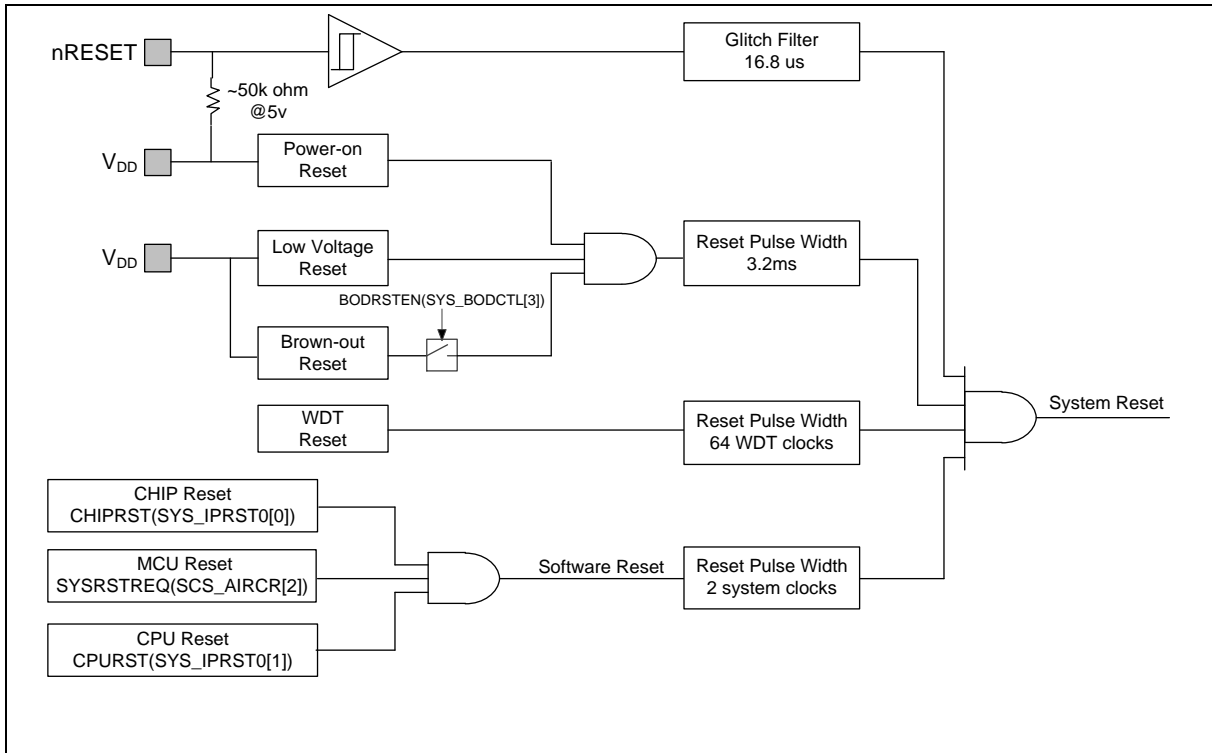


Figure 6.2-1 System Reset Resources

There are a total of 9 reset sources in the NuMicro® family. In general, CPU reset is used to reset Cortex®-M0 only; the other reset sources will reset Cortex®-M0 and all peripherals. However, there are small differences between each reset source and they are listed in Table 6.2-1.

Reset Sources Register	POR	nRESET	WDT	LVR	BOD	CHIP	MCU	CPU
SYS_RSTSTS	0x001	Bit 1 = 1	Bit 2 = 1	Bit 3 = 1	Bit 4 = 1	Bit 0 = 1	Bit 5 = 1	Bit 7 = 1
CHIPRST (SYS_IPRST0[0])	0x0	-	-	-	-	-	-	-
BODEN (SYS_BODCTL[0])	Reload from CONFIG0	Reload from CONFIG0	Reload from CONFIG0	Reload from CONFIG0	-	Reload from CONFIG0	Reload from CONFIG0	-
BODVL (SYS_BODCTL[3:1])								
BODRSTEN (SYS_BODCTL[4])								
XTLEN (CLK_PWRCTL[1:0])	0x0	0x0	0x0	0x0	0x0	0x0	0x0	
WDTCKEN (CLK_APBCLK0[0])	0x1	-	0x1	-	-	0x1	-	-
HCLKSEL	0x8	0x8	0x8	0x8	0x8	0x8	0x8	-

(CLK_CLKSEL0[1:0])									
WDTSEL (CLK_CLKSEL1[1:0])	0x3	0x3	-	-	-	-	-	-	-
XLTSTB (CLK_STATUS[0])	0x0	-	-	-	-	-	-	-	-
LIRCSTB (CLK_STATUS[3])	0x0								
HIRCSTB (CLK_STATUS[4])	0x0	-	-	-	-	-	-	-	-
CLKSFAL (CLK_STATUS[7])	0x0	0x0	-	-	-	-	-	-	-
WDT_CTL	0x0700	0x0700	0x0700	0x0700	0x0700	0x0700	-	-	-
WDT_ALTCTL	0x0000	0x0000	0x0000	0x0000	0x0000	0x0000	-	-	-
BS (FMC_ISPCTL[1])	Reload from CONFIG0	Reload from CONFIG0	Reload from CONFIG0	Reload from CONFIG0	Reload from CONFIG0	Reload from CONFIG0	-	-	-
ISPEN (FMC_ISPCTL[16])									
FMC_DFBA	Reload from CONFIG1	Reload from CONFIG1	Reload from CONFIG1	Reload from CONFIG1	Reload from CONFIG1	Reload from CONFIG1	-	-	-
CBS (FMC_ISPSTS[2:1])	Reload from CONFIG0	Reload from CONFIG0	Reload from CONFIG0	Reload from CONFIG0	Reload from CONFIG0	Reload from CONFIG0	-	-	-
VECMAP (FMC_ISPSTS[20:9])	Reload base on CONFIG0	Reload base on CONFIG0	Reload base on CONFIG0	Reload base on CONFIG0	Reload base on CONFIG0	Reload base on CONFIG0	-	-	-
Other Peripheral Registers	Reset Value								
FMC Registers	Reset Value								
Note: '-' means that the value of register keeps original setting.									

Table 6.2-1 Reset Value of Registers

6.2.2.1 nRESET Reset

The nRESET reset means to generate a reset signal by pulling low nRESET pin, which is an asynchronous reset input pin and can be used to reset system at any time. When the nRESET voltage is lower than 0.2 V_{DD} and the state keeps longer than 16.8 us (glitch filter), chip will be reset. The nRESET reset will control the chip in reset state until the nRESET voltage rises above 0.7 V_{DD} and the state keeps longer than 36 us (glitch filter). The PINRF (SYS_RSTSTS[1]) will be set to 1 if the previous reset source is nRESET reset. Figure 6.2-2 shows the nRESET reset waveform.

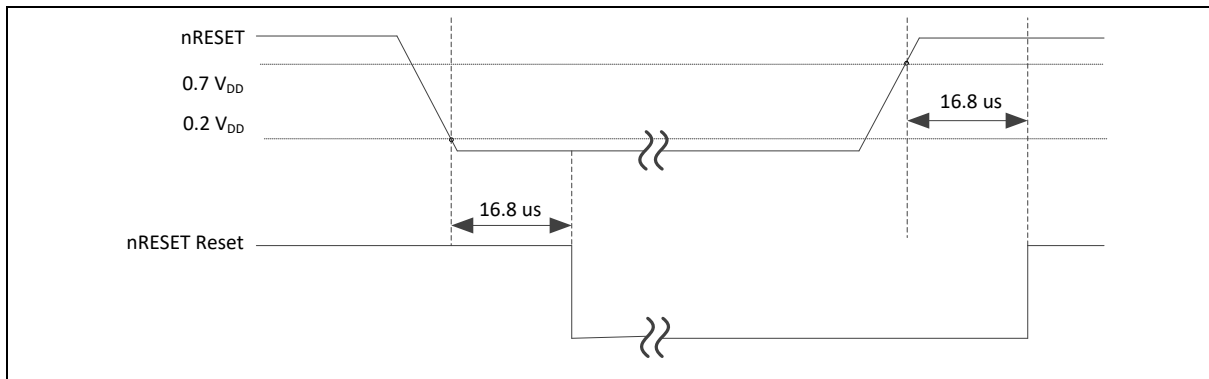


Figure 6.2-2 nRESET Reset Waveform

6.2.2.2 Power-On Reset (POR)

The Power-on reset (POR) is used to generate a stable system reset signal and forces the system to be reset when power-on to avoid unexpected behavior of MCU. When applying the power to MCU, the POR module will detect the rising voltage and generate reset signal to system until the voltage is ready for MCU operation. At POR reset, the PORF (SYS_RSTSTS[0]) will be set to 1 to indicate there is a POR reset event. The PORF (SYS_RSTSTS[0]) bit can be cleared by writing 1 to it. Figure 6.2-3 shows the waveform of Power-On reset.

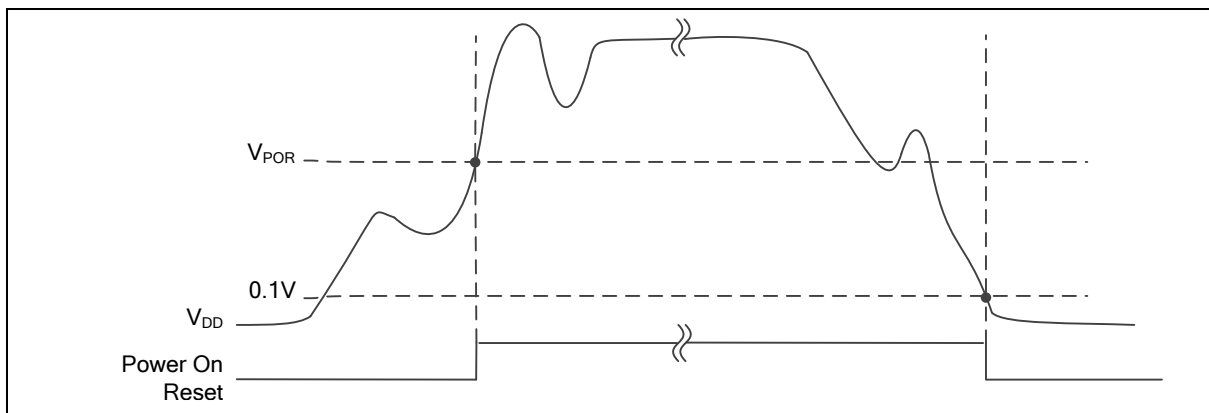


Figure 6.2-3 Power-on Reset (POR) Waveform

6.2.2.3 Low Voltage Reset (LVR)

Low Voltage Reset detects AV_{DD} during system operation. When the AV_{DD} voltage is lower than V_{LVR} and the state keeps longer than De-glitch time ($16 \cdot HCLK$ cycles), chip will be reset. The LVR reset will control the chip in reset state until the AV_{DD} voltage rises above V_{LVR} and the state keeps longer than De-glitch time. Figure 6.2-4 shows the Low Voltage Reset waveform.

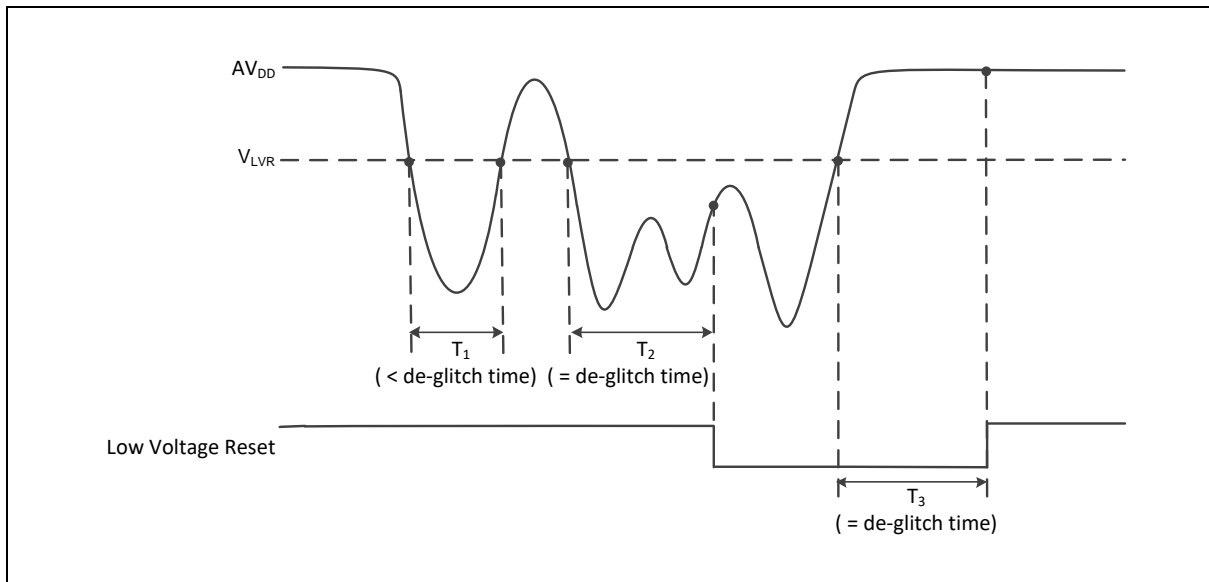


Figure 6.2-4 Low Voltage Reset (LVR) Waveform

6.2.2.4 Brown-out Detector Reset (BOD Reset)

If the Brown-out Detector (BOD) function is enabled by setting the Brown-out Detector Enable Bit BODEN (SYS_BODCTL[0]), Brown-Out Detector function will detect AV_{DD} during system operation. When the AV_{DD} voltage is lower than V_{BOD} which is decided by BODEN (SYS_BODCTL[0]) and BODVL (SYS_BODCTL[3:1]) and the state keeps longer than De-glitch time (Max(20*HCLK cycles, 1*LIRC cycle)), chip will be reset. The BOD reset will control the chip in reset state until the AV_{DD} voltage rises above V_{BOD} and the state keeps longer than De-glitch time. The default value of BODEN, BODVL and BODRSTEN is set by Flash controller user configuration register CBODEN (CONFIG0[11]), CBOV (CONFIG0[15:13]) and CBORST (CONFIG0[12]) respectively. User can determine the initial BOD setting by setting the CONFIG0 register. Figure 6.2-5 shows the Brown-Out Detector waveform.

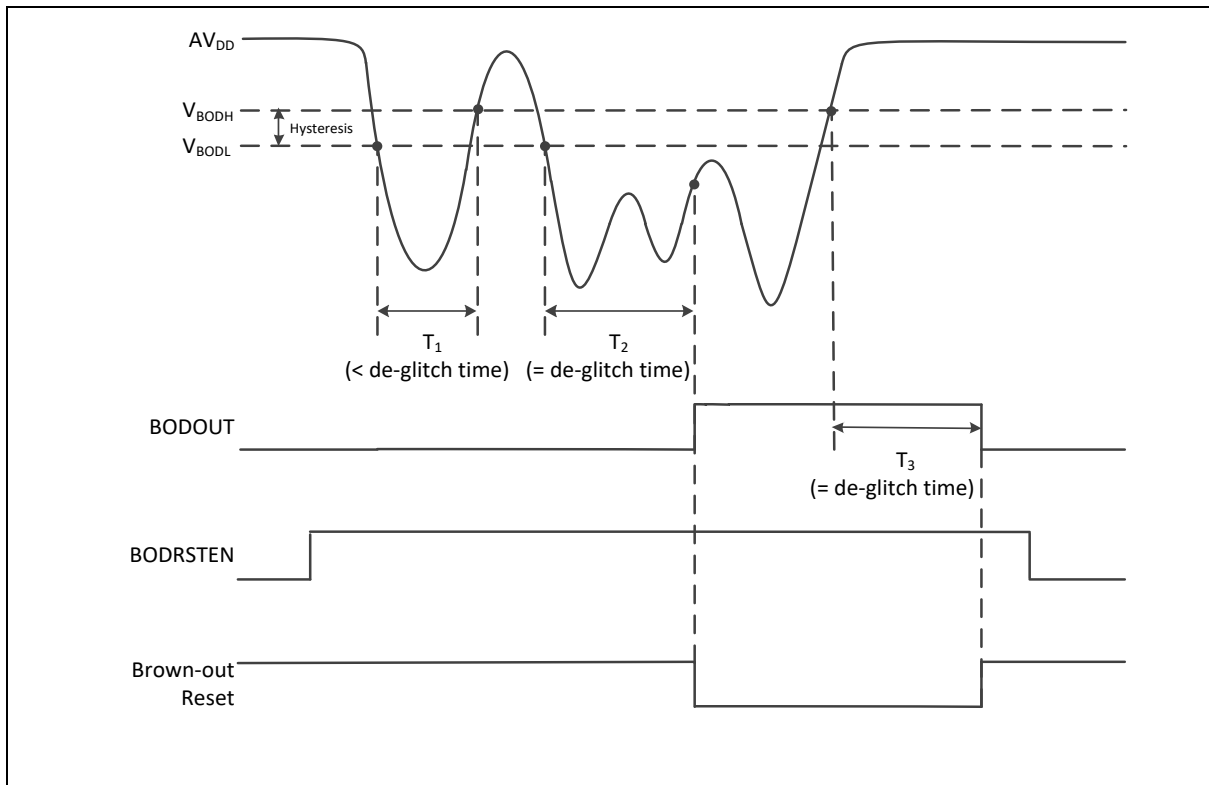


Figure 6.2-5 Brown-out Detector (BOD) Waveform

6.2.2.5 Watchdog Timer Reset

In most industrial applications, system reliability is very important. To automatically recover the MCU from failure status is one way to improve system reliability. The watchdog timer (WDT) is widely used to check if the system works fine. If the MCU is crashed or out of control, it may cause the watchdog time-out. User may decide to enable system reset during watchdog time-out to recover the system and take action for the system crash/out-of-control after reset.

Software can check if the reset is caused by watchdog time-out to indicate the previous reset is a watchdog reset and handle the failure of MCU after watchdog time-out reset by checking WDTRF (SYS_RSTSTS[2]).

6.2.2.6 CPU Reset, CHIP Reset and SYSTEM Reset

The CPU Reset means only Cortex[®]-M0 core is reset and all other peripherals remain the same status after CPU reset. User can set the CPURST (SYS_IPRST0[1]) to 1 to assert the CPU Reset signal.

The CHIP Reset is same with Power-On Reset. The CPU and all peripherals are reset and BS (FMC_ISPCTL[1]) bit is automatically reloaded from CONFIG setting. User can set the CHIPRST (SYS_IPRST0[0]) to 1 to assert the CHIP Reset signal.

The MCU Reset is similar with CHIP Reset. The difference is that BS (FMC_ISPCTL[1]) will not be reloaded from CONFIG setting and keep its original software setting for booting from APROM or LDROM. User can set the SYSRESETREQ (SCS_AIRCR[2]) to 1 to assert the MCU Reset.

6.2.3 Power Modes and Wake-up Sources

There are several wake-up sources in Idle mode and Power-down mode. Table 6.2-2 lists the available clocks for each power mode.

Power Mode	Normal Mode	Idle Mode	Power-Down Mode
Definition	CPU is in active state	CPU is in sleep state	CPU is in sleep state and all clocks stop except LXT and LIRC. SRAM content retained.
Entry Condition	Chip is in normal mode after system reset released	CPU executes WFI instruction.	CPU sets sleep mode enable and power down enable and executes WFI instruction.
Wake-up Sources	N/A	All interrupts	WDT, I ² C, Timer, UART, SPI, ACMP, BOD and GPIO
Available Clocks	All	All except CPU clock	LXT and LIRC
After Wake-up	N/A	CPU back to normal mode	CPU back to normal mode

Table 6.2-2 Power Mode Difference Table

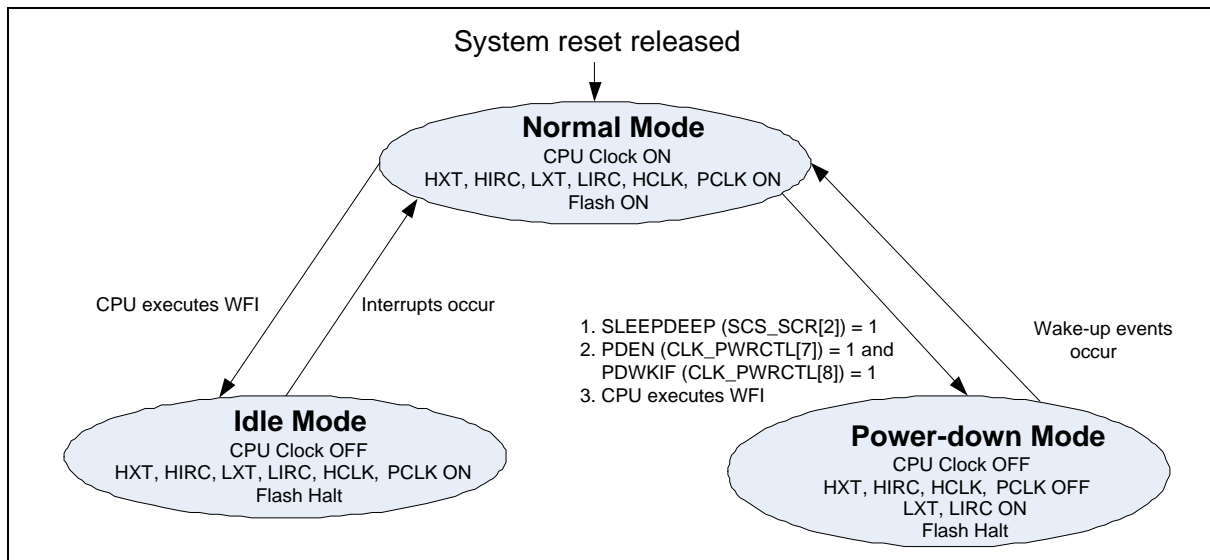


Figure 6.2-6 Power Mode State Machine

1. LXT (32768 Hz XTL) ON or OFF depends on SW setting in run mode.
2. LIRC (10 kHz OSC) ON or OFF depends on SW setting in run mode.
3. If TIMER clock source is selected as LIRC/LXT and LIRC/LXT is on.
4. If WDT clock source is selected as LIRC and LIRC is on.

	Normal Mode	Idle Mode	Power-Down Mode
HXT (4~20 MHz XTL)	ON	ON	Halt
HIRC (48(72) MHz OSC)	ON	ON	Halt
LXT (32768 Hz XTL)	ON	ON	ON/OFF ¹
LIRC (10 kHz OSC)	ON	ON	ON/OFF ²
LDO	ON	ON	ON
CPU	ON	Halt	Halt
HCLK/PCLK	ON	ON	Halt
SRAM retention	ON	ON	ON
FLASH	ON	ON	Halt
GPIO	ON	ON	Halt
TIMER	ON	ON	ON/OFF ³
BPWM	ON	ON	Halt
EPWM	ON	ON	Halt
WDT	ON	ON	ON/OFF ⁴
USCI	ON	ON	Halt
ADC	ON	ON	Halt
ACMP	ON	ON	Halt
ECAP	ON	ON	Halt
HDIV	ON	ON	Halt
PGA	ON	ON	Halt

Table 6.2-3 Clocks in Power Modes

Wake-up sources in Power-down mode:

WDT, I²C, Timer, UART, SPI, BOD, ACMP and GPIO

After chip enters power down, the following wake-up sources can wake chip up to normal mode. Table 6.2-4 lists the condition about how to enter Power-down mode again for each peripheral.

Note for BOD vs Power-down:

When the power-down mode is entered to save power consuming, the reference voltage of BOD(Brown-out Detection) will be disabled for saving power, therefore the BOD may incorrectly wake-up power down(if BOD interrupt is enabled) or trigger CPU reset(if BOR, brown-out reset, is enabled). It is a BOD function limitation in Power-down mode.

Recommended workaround for using BOD and power-down:

Please make sure that the BOD is disabled before entering Power-down mode. When the chip leaves Power-down mode, the BOD can be enabled again.

*User needs to wait this condition before setting PDEN (CLK_PWRCTL[7]) and execute WFI to enter Power-down mode.

Wake-Up Source	Wake-Up Condition	System Can Enter Power-Down Mode Again Condition*
BOD	Brown-Out Detector Interrupt	After software writes 1 to clear SYS_BODCTL[BODIF].
GPIO	GPIO Interrupt	After software write 1 to clear the Px_INTSRC[n] bit.
TIMER	Timer Interrupt	After software writes 1 to clear TWKF (TIMERx_INTSTS[1]) and TIF (TIMERx_INTSTS[0]).
WDT	WDT Interrupt	After software writes 1 to clear WKF (WDT_CTL[5]) (Write Protect).
USCI UART	Incoming data wake-up	After software writes 1 to clear WKF (UART_WKSTS[0]).
USCI SPI	SS transaction wake-up	After software writes 1 to clear WKF (USPI_WKSTS[0]).
USCI I ² C	Data toggle	After software writes 1 to clear WKF (UI2C_WKSTS[0]).
	Address match	After software writes 1 to clear WKAKDONE (UI2C_PROTSTS[16], then writes 1 to clear WKF (UI2C_WKSTS[0]).
ACMP	Comparator Power-down Wake-Up Interrupt	After software writes 1 to clear ACMPF0 (ACMP_STATUS[0]) and ACMPF1 (ACMP_STATUS[1]).

Table 6.2-4 Condition of Entering Power-down Mode Again

6.2.4 System Power Architecture

In this chip, the power distribution is divided into three segments.

- Analog power from V_{DD} and V_{SS} provides the power for analog components operation. V_{DD} must be equal to V_{DD} to avoid leakage current.
- Digital power from V_{DD} and V_{SS} supplies power to the I/O pins and internal regulator which provides a fixed 1.5V power for digital operation.
- A built-in capacitor for internal voltage regulator

The output of internal voltage regulator, LDO, does not require an external capacitor and doesn't bond out to external pin. Analog power (V_{DD}) should be the same voltage level of the digital power (V_{DD}). Figure 6.2-7 shows the power distribution of the NM1230 series.

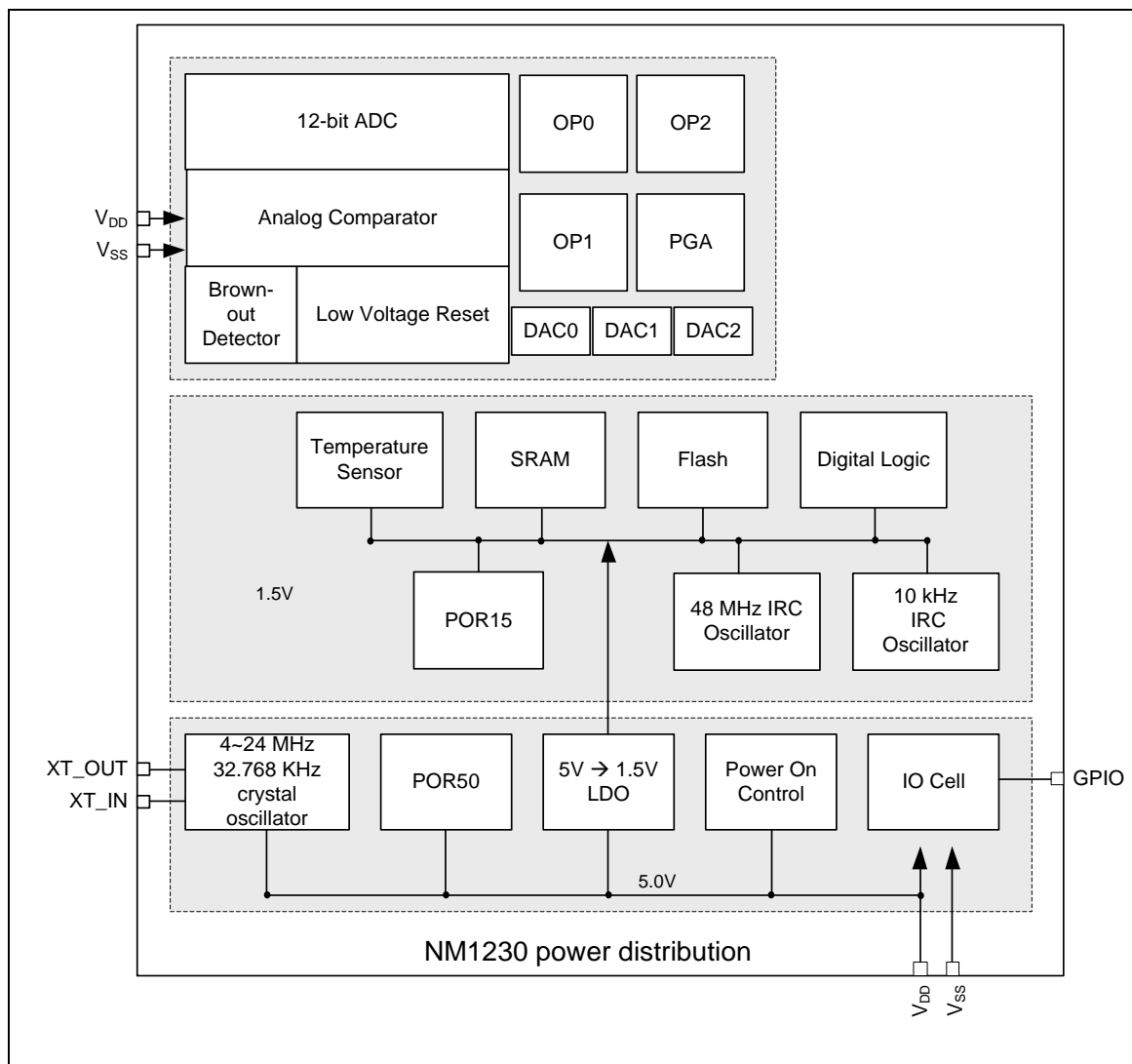


Figure 6.2-7 NuMicro® NM1230 Series Power Architecture Diagram

6.2.5 System Memory Mapping

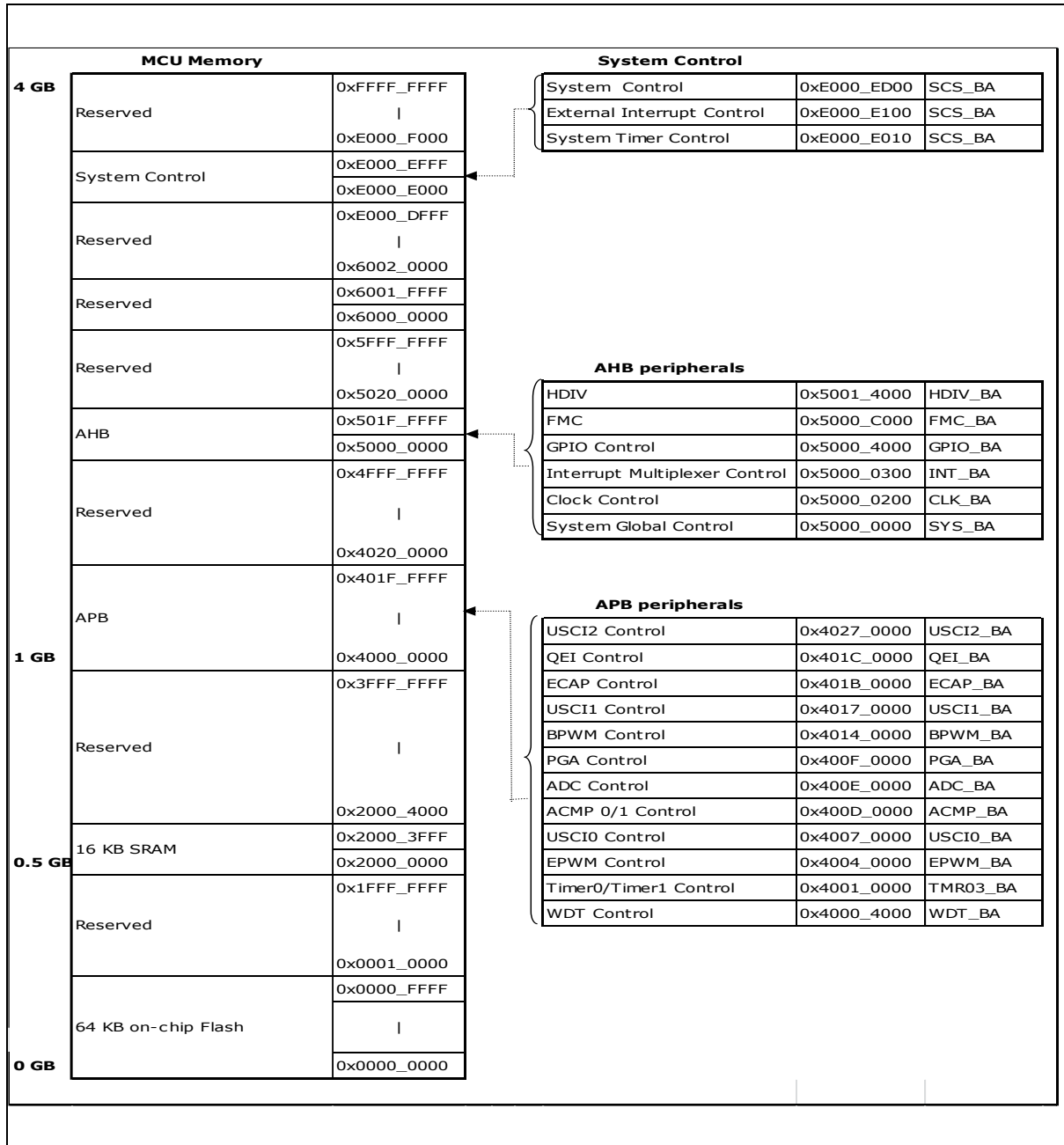


Table 6.2-5 Memory Mapping Table

6.2.6 Register Protection

Some of the system control registers need to be protected to avoid inadvertent write and disturb the chip operation. These system control registers are protected after the power on reset till user to disable register protection. For user to program these protected registers, a register protection disable sequence needs to be followed by a special programming. The register protection disable sequence is writing the data “59h”, “16h” “88h” to the register SYS_REGLCTL continuously. Any different data value, different sequence or any other write to other address during these three data writing will abort the whole sequence.

After the protection is disabled, user can check REGLCTL (SYS_REGLCTL [0]), “1” is protection disable, “0” is protection enable. Then user can update the target protected register value and then write any data to SYS_REGLCTL to enable register protection.

The protected registers are listed in Table 6.2-6.

Register	Bit	Description
SYS_IPRST0	[1] CPURST	Processor Core One-shot Reset (Write Protect)
	[0] CHIPRST	Chip One-shot Reset (Write Protect)
SYS_BODCTL	[15] LVREN	Low Voltage Reset Enable Control (Write Protect)
	[6] BODLPM	Brown-out Detector Low Power Mode (Write Protect)
	[4] BODRSTEN	Brown-out Reset Enable Control (Write Protect)
	[3:1] BODVL	Brown-out Detector Threshold Voltage Selection (Write Protect)
	[0] BODEN	Brown-out Detector Enable Control (Write Protect)
SYS_PORCTL	[15:0] POROFF	Power-on Reset Enable Control (Write Protect)
INT_NMICTL	[8] NMISELEN	NMI Interrupt Enable Control (Write Protected)
CLK_PWRCTL	[11:10] HXTGAIN	HXT Gain Control (Write Protect)
	[7] PDEN	System Power-down Enable Control (Write Protect)
	[5] PDWKIEN	Power-down Mode Wake-up Interrupt Enable Control (Write Protect)
	[4] PDWKDLY	Wake-up Delay Counter Enable Control (Write Protect)
	[3] LIRCEN	LIRC Enable Control (Write Protect)
	[2] HIRCEN	HIRC Enable Control (Write Protect)
	[1:0] XTLEN	XTL Enable Control (Write Protect)
CLK_APBCLK	[0] WDTCKEN	Watchdog Timer Clock Enable Control (Write Protect)
CLK_CLKSEL0	[4:3] STCLKSEL	Cortex®-M0 SysTick Clock Source Selection (Write Protect)
	[1:0] HCLKSEL	HCLK Clock Source Selection (Write Protect)
CLK_CLKSEL1	[1:0] WDTSEL	Watchdog Timer Clock Source Selection (Write Protect)
FMC_ISPCTL	[6] ISPPFF	ISP Fail Flag (Write Protect)
	[5] LDUEN	LDROM Update Enable Control (Write Protect)
	[4] CFGUEN	CONFIG Update Enable Control (Write Protect)

	[3] APUEN	APROM Update Enable Control (Write Protect)
	[2] SPUEN	SPROM Update Enable Control (Write Protect)
	[1] BS	Boot Select (Write Protect)
	[0] ISPEN	ISP Enable Control (Write Protect)
FMC_ISPTRG	[0] ISPGO	ISP Start Trigger (Write Protect)
FMC_ISPSTS	[6] ISPPF	ISP Fail Flag (Write Protect)
TIMER0_CTL	[31] ICEDEBUG	ICE Debug Mode Acknowledge Disable Control (Write Protect)
TIMER1_CTL	[31] ICEDEBUG	ICE Debug Mode Acknowledge Disable Control (Write Protect)
TIMER2_CTL	[31] ICEDEBUG	ICE Debug Mode Acknowledge Disable Control (Write Protect)
TIMER3_CTL	[31] ICEDEBUG	ICE Debug Mode Acknowledge Disable Control (Write Protect)
WDT_CTL	[31] ICEDEBUG	ICE Debug Mode Acknowledge Disable Control (Write Protect)
	[7] WDTEN	Watchdog Timer Enable Control (Write Protect)
	[6] INTEN	Watchdog Timer Time-out Interrupt Enable Control (Write Protect)
	[4] WKEN	Watchdog Timer Time-out Wake-up Function Control (Write Protect)
	[1] RSTEN	Watchdog Timer Time-out Reset Enable Control (Write Protect)
	[0] RSTCNT	Reset Watchdog Timer Up Counter (Write Protect)

Table 6.2-6 Protected Registers

6.2.7 Memory Organization

6.2.7.1 Overview

The NuMicro® NM1230 series provides 4G-byte addressing space. The addressing space assigned to each on-chip controllers is shown in Figure 6.2-8. The detailed register definition, addressing space, and programming details will be described in the following sections for each on-chip peripheral. The NM1230 series only supports little-endian data format.

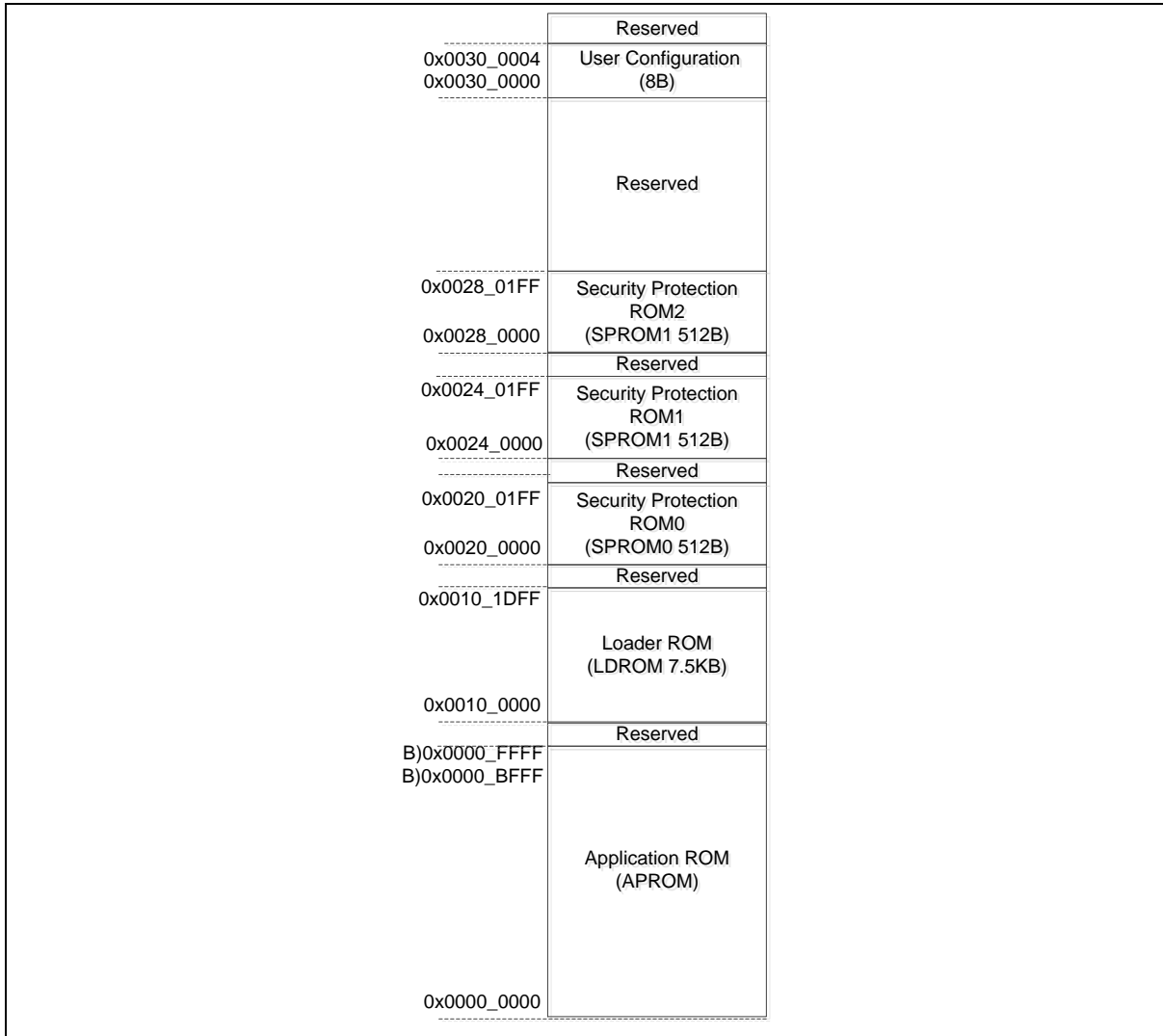


Figure 6.2-8 NuMicro® NM1230 Flash, Security and Configuration Map

6.2.7.2 System Memory Map

The NM1230 series provides 4G-byte addressing space. The memory locations assigned to each on-chip controllers are shown in Table 6.2-7. The detailed register definition, memory space, and programming will be described in the following sections for each on-chip peripheral. The NM1230 series only supports little-endian data format.

The memory locations assigned to each on-chip controllers are shown in Table 6.2-7.

Address Space	Token	Controllers
Flash and SRAM Memory Space		
0x0000_0000 – 0x0000_FFFF	FLASH_BA	FLASH Memory Space (64KB)
0x0010_0000 – 0x0010_1DFF	LD_BA	Loader Memory Space (7.5 KB)
0x0020_0000 – 0x0020_05FF	SP_BA	Security Program Memory Space (1.5 KB).
0x0020_0000 – 0x0020_01FF	SP0_BA	Security Program Memory 0 Space (0.5 KB)
0x0024_0000 – 0x0024_01FF	SP1_BA	Security Program Memory 1 Space (0.5 KB)
0x0028_0000 – 0x0028_01FF	SP2_BA	Security Program Memory 2 Space (0.5 KB)
0x0030_0000 – 0x0030_01FF	CFG_BA	CONFIG Program Memory Space (0.5 KB)
0x2000_0000 – 0x2000_3FFF	SRAM_BA	SRAM Memory Space (16 KB)
AHB Modules Space (0x5000_0000 – 0x501F_FFFF)		
0x5000_0000 – 0x5000_01FF	SYS_BA	System Control Registers
0x5000_0200 – 0x5000_02FF	CLK_BA	Clock Control Registers
0x5000_0300 – 0x5000_03FF	INT_BA	Interrupt Multiplexer Control Registers
0x5000_4000 – 0x5000_7FFF	GPIO_BA	GPIO Control Registers
0x5000_C000 – 0x5000_FFFF	FMC_BA	Flash Memory Control Registers
0x5001_4000 – 0x5001_7FFF	HDIV_BA	Hardware Divider and CRC16 Control Register
APB Controllers Space (0x4000_0000 ~ 0x401F_FFFF)		
0x4000_4000 – 0x4000_7FFF	WDT_BA	Watchdog Timer Control Registers
0x4001_0000 – 0x4001_3FFF	TMR03_BA	Timer0/Timer1/Timer2/Timer3 Control Registers
0x4004_0000 – 0x4004_3FFF	EPWM_BA	Enhance PWM Control Registers
0x4007_0000 – 0x4007_3FFF	USCI0_BA	USCI0 Control Registers
0x400D_0000 – 0x400D_3FFF	ACMP_BA	Analog Comparator 0/1 Control Registers
0x400E_0000 – 0x400E_3FFF	ADC_BA	ADC Control Registers
0x400F_0000 – 0x400F_3FFF	PGA_BA	Programmable Gain Amplifier Control Register
0x4014_0000 – 0x4014_3FFF	BPWM_BA	Basic PWM Control Registers
0x4017_0000 – 0x4017_3FFF	USCI1_BA	USCI1 Control Registers
0x401B_0000 – 0x401B_3FFF	ECAP_BA	Enhanced Input Capture Timer Register
0x401C_0000 – 0x401C_3FFF	QEI_BA	Quadrature Encoder Interface(QEI) Register
0x4027_0000 – 0x4027_3FFF	USCI2_BA	USCI2 Control Registers
System Controllers Space (0xE000_E000 ~ 0xE000_EFFF)		
0xE000_E010 – 0xE000_E0FF	SCS_BA	System Timer Control Registers
0xE000_E100 – 0xE000_ECFF	SCS_BA	External Interrupt Controller Control Registers
0xE000_ED00 – 0xE000_ED8F	SCS_BA	System Control Registers

Table 6.2-7 Address Space Assignments for On-Chip Modules

6.2.7.3 SRAM Memory Organization

The NM1230 supports embedded SRAM with total 16 Kbytes size.

- Supports total 16 Kbytes SRAM
- Supports byte / half word / word write
- Supports oversize response error

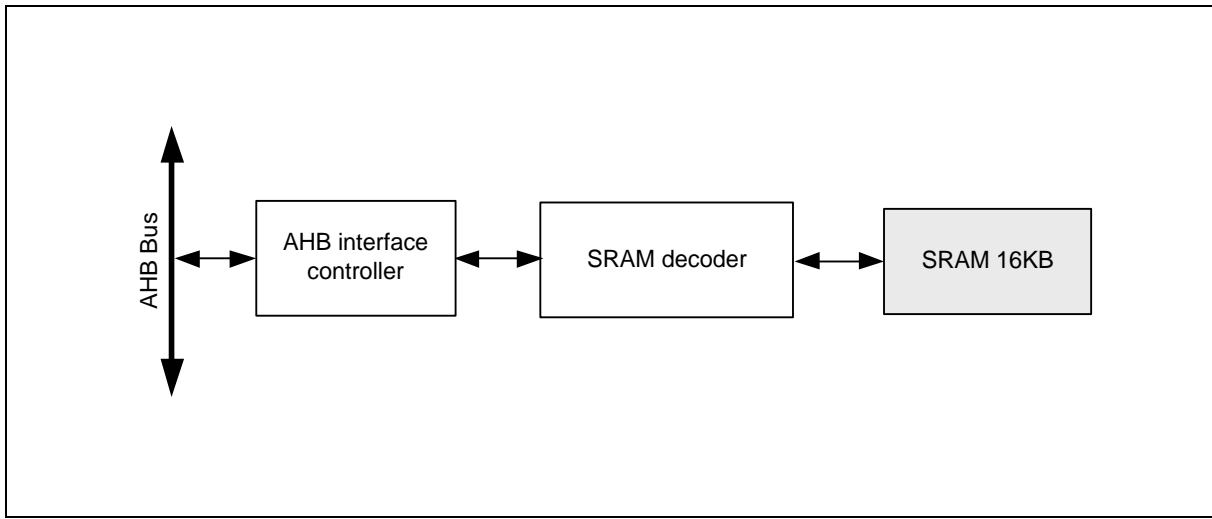


Figure 6.2-9 SRAM Block Diagram

6.2.8 System Timer (SysTick)

The Cortex[®]-M0 includes an integrated system timer, SysTick, which provides a simple, 24-bit cleared-on-write, decrementing, wrap-on-zero counter with a flexible control mechanism. The counter can be used in several different ways, for example:

An RTOS tick timer fires at a programmable rate (for example 100Hz) and invokes a SysTick routine.

A high-speed alarm timer uses Core clock.

A variable rate alarm or signal timer – the duration range is dependent on the reference clock used and the dynamic range of the counter.

A simple counter can be used by software to measure task completion time.

An internal Clock Source control based on missing/meeting durations. The COUNTFLAG bit-field in the control and status register can be used to determine if an action completed within a set duration, as part of a dynamic clock management control loop.

When enabled, the timer will count down from the value in the SysTick Current Value Register (SYST_CVR) to 0, and reload (wrap) to the value in the SysTick Reload Value Register (SYST_RVR) on the next clock edge, and then decrement on subsequent clocks. When the counter transitions to 0, the COUNTFLAG status bit is set. The COUNTFLAG bit clears on read.

The SYST_CVR value is UNKNOWN on reset. Software should write to the register to clear it to 0 before enabling the feature. This ensures the timer will count from the SYST_RVR value rather than an arbitrary value when it is enabled.

If the SYST_RVR is zero, the timer will be maintained with a current value of zero after it is reloaded with this value. This mechanism can be used to disable the feature independently from the timer enable bit.

For more detailed information, please refer to the “ARM[®] Cortex[®]-M0 Technical Reference Manual” and “ARM[®] v6-M Architecture Reference Manual”.

6.2.8.1 System Timer Control Register Map

R: read only, W: write only, R/W: both read and write, W&C: write 1 to clear

Register	Offset	R/W	Description	Reset Value
SCS Base Address:				
SCS_BA = 0xE000_E000				
SYST_CTL	SCS_BA+0x10	R/W	SysTick Control and Status	0x0000_0004
SYST_RVR	SCS_BA+0x14	R/W	SysTick Reload Value Register	0xFFFF_FFFF
SYST_CVR	SCS_BA+0x18	R/W	SysTick Current Value Register	0xFFFF_FFFF

6.2.8.2 System Timer Control Register Description

SysTick Control and Status (SYST_CTL)

Register	Offset	R/W	Description	Reset Value
SYST_CTL	SCS_BA+0x10	R/W	SysTick Control and Status	0x0000_0004

31	30	29	28	27	26	25	24
Reserved							
23	22	21	20	19	18	17	16
Reserved							COUNTFLAG
15	14	13	12	11	10	9	8
Reserved							
7	6	5	4	3	2	1	0
Reserved					CLKSRC	TICKINT	ENABLE

Bits	Description	
[31:17]	Reserved	Reserved.
[16]	COUNTFLAG	<p>System Tick Counter Flag</p> <p>Return 1 If Timer Counted to 0 Since Last Time this Register Was Read</p> <p>0 = COUNTFLAG is cleared on read or by a write to the Current Value register.</p> <p>1 = COUNTFLAG is set by a count transition from 1 to 0.</p>
[15:3]	Reserved	Reserved.
[2]	CLKSRC	<p>System Tick Clock Source Select Bit</p> <p>0 = Clock source is optional, refer to STCLKSEL.</p> <p>1 = Core clock used for SysTick timer.</p>
[1]	TICKINT	<p>System Tick Interrupt Enable Control</p> <p>0 = Counting down to 0 will not cause the SysTick exception to be pended. User can use COUNTFLAG to determine if a count to zero has occurred.</p> <p>1 = Counting down to 0 will cause the SysTick exception to be pended. Clearing the SysTick Current Value register by a register write in software will not cause SysTick to be pended.</p>
[0]	ENABLE	<p>System Tick Counter Enable Control</p> <p>0 = System Tick counter Disabled.</p> <p>1 = System Tick counter will operate in a multi-shot manner.</p>

SysTick Reload Value Register (SYST_RVR)

Register	Offset	R/W	Description	Reset Value
SYST_RVR	SCS_BA+0x14	R/W	SysTick Reload Value Register	0xXXXX_XXXX

31	30	29	28	27	26	25	24
Reserved							
23	22	21	20	19	18	17	16
RELOAD							
15	14	13	12	11	10	9	8
RELOAD							
7	6	5	4	3	2	1	0
RELOAD							

Bits	Description	
[31:24]	Reserved	Reserved.
[23:0]	RELOAD	System Tick Reload Value Value to load into the Current Value register when the counter reaches 0.

SysTick Current Value Register (SYST_CVR)

Register	Offset	R/W	Description	Reset Value
SYST_CVR	SCS_BA+0x18	R/W	SysTick Current Value Register	0xXXXX_XXXX

31	30	29	28	27	26	25	24
Reserved							
23	22	21	20	19	18	17	16
CURRENT							
15	14	13	12	11	10	9	8
CURRENT							
7	6	5	4	3	2	1	0
CURRENT							

Bits	Description	
[31:24]	Reserved	Reserved.
[23:0]	CURRENT	System Tick Current Value Current counter value. This is the value of the counter at the time it is sampled. The counter does not provide read-modify-write protection. The register is write-clear. A software write of any value will clear the register to 0.

6.2.9 Nested Vectored Interrupt Control (NVIC)

6.2.9.1 Overview

The Cortex®-M0 CPU provides an interrupt controller as an integral part of the exception mode, named as “Nested Vectored Interrupt Controller (NVIC)”, which is closely coupled to the processor core and provides following features.

6.2.9.2 Features

- Nested and Vectored interrupt support
- Automatic processor state saving and restoration
- Dynamic priority change
- Reduced and deterministic interrupt latency

The NVIC prioritizes and handles all supported exceptions. All exceptions are handled in “Handler Mode”. This NVIC architecture supports 32 (IRQ[31:0]) discrete interrupts with 4 levels of priority. All of the interrupts and most of the system exceptions can be configured to different priority levels. When an interrupt occurs, the NVIC will compare the priority of the new interrupt to the current running one’s priority. If the priority of the new interrupt is higher than the current one, the new interrupt handler will override the current handler.

When an interrupt is accepted, the starting address of the Interrupt Service Routine (ISR) is fetched from a vector table in memory. There is no need to determine which interrupt is accepted and branch to the starting address of the correlated ISR by software. While the starting address is fetched, NVIC will also automatically save processor state including the registers “PC, PSR, LR, R0~R3, R12” to the stack. At the end of the ISR, the NVIC will restore the mentioned registers from stack and resume the normal execution. Thus it will take less and deterministic time to process the interrupt request.

The NVIC supports “Tail Chaining” which handles back-to-back interrupts efficiently without the overhead of states saving and restoration and therefore reduces delay time in switching to pending ISR at the end of current ISR. The NVIC also supports “Late Arrival” which improves the efficiency of concurrent ISRs. When a higher priority interrupt request occurs before the current ISR starts to execute (at the stage of state saving and starting address fetching), the NVIC will give priority to the higher one without delay penalty. Thus it advances the real-time capability.

For more detailed information, please refer to the “ARM® Cortex®-M0 Technical Reference Manual” and “ARM® v6-M Architecture Reference Manual”.

The processor automatically stacks its state on exception entry and unstacks this state on exception exit, with no instruction overhead. This provides low latency exception handling.

6.2.9.3 Exception Model and System Interrupt Map

Table 6.2-8 lists the exception model supported by the NM1230 series. Software can set four levels of priority on some of these exceptions as well as on all interrupts. The highest user-configurable priority is denoted as 0 and the lowest priority is denoted as 3. The default priority of all the user-configurable interrupts is 0. Note that the priority 0 is treated as the fourth priority on the system, after three system exceptions “Reset”, “NMI” and “Hard Fault”.

Exception Name	Vector Number	Priority
----------------	---------------	----------

Reset	1	-3
NMI	2	-2
Hard Fault	3	-1
Reserved	4 ~ 10	Reserved
SVCALL	11	Configurable
Reserved	12 ~ 13	Reserved
PendSV	14	Configurable
SysTick	15	Configurable
Interrupt (IRQ0 ~ IRQ31)	16 ~ 47	Configurable

Table 6.2-8 Exception Model

Vector Number	Interrupt Number (Bit In Interrupt Registers)	Interrupt Name	Interrupt Description
0 ~ 15	-	-	System exceptions
16	0	BOD_OUT	Brown-Out low voltage detected interrupt
17	1	WDTPINT	Watchdog Timer interrupt
18	2	USCI0_INT	USCI0 interrupt
19	3	USCI1_INT	USCI1 interrupt
20	4	GP_INT	External interrupt from GPA ~ GPF pins
21	5	EPWM_INT	EPWM interrupt
22	6	BRAKE0_INT	EPWM brake interrupt from PWM0 or PWM_BRAKE pin
23	7	BRAKE1_INT	EPWM brake interrupt from PWM1
24	8	BPWM0_INT	BPWM0 interrupt
25	9	BPWM1_INT	BPWM1 interrupt
26	10	Reserved	Reserved
27	11	USCI2_INT	USCI2 interrupt
28	12	Reserved	Reserved
29	13	Reserved	Reserved
30	14	Reserved	Reserved
31	15	ECAP_INT	Enhanced Input Capture interrupt
32	16	CCAP_INT	Continues Input Capture interrupt
33	17	Reserved	Reserved
34	18	Reserved	Reserved

35	19	Reserved	Reserved
36	20	Reserved	Reserved
37	21	HIRCTRIM_INT	HIRC TRIM interrupt
38	22	TMR0_INT	Timer 0 interrupt
39	23	TMR1_INT	Timer 1 interrupt
40	24	TMR2_INT	Timer 2 interrupt
41	25	TMR3_INT	Timer 3 interrupt
42	26	ACMP_INT	Analog Comparator 0 or Comparator 1 interrupt
43	27	QEI_INT	QEI interrupt
44	28	PWRWU_INT	Chip wake-up from Power-down state interrupt
45	29	ADC0_INT	ADC0 interrupt
46	30	ADC1_INT	ADC1 interrupt
47	31	ADCWCMP_INT	ADC Window Compare interrupt

Table 6.2-9 System Interrupt Map Vector Table

6.2.9.4 Vector Table

When an interrupt is accepted, the processor will automatically fetch the starting address of the interrupt service routine (ISR) from a vector table in memory. For ARMv6-M, the vector table based address is fixed at 0x00000000. The vector table contains the initialization value for the stack pointer on reset, and the entry point addresses for all exception handlers. The vector number on previous page defines the order of entries in the vector table associated with the exception handler entry as illustrated in previous section.

Vector Table Word Offset (Bytes)	Description
0x00	Initial Stack Pointer Value
Exception Number * 0x04	Exception Entry Pointer using that Exception Number

Table 6.2-10 Vector Table Format

6.2.9.5 Operation Description

The NVIC interrupts can be enabled and disabled by writing to their corresponding Interrupt Set-Enable or Interrupt Clear-Enable register bit-field. The registers use a write-1-to-enable and write-1-to-clear policy, both registers reading back the current enabled state of the corresponding interrupts. When an interrupt is disabled, interrupt assertion will cause the interrupt to become Pending, however, the interrupt will not activate. If an interrupt is Active when it is disabled, it remains in its Active state until cleared by reset or an exception return. Clearing the enable bit prevents new activations of the associated interrupt.

NVIC interrupts can be pended/un-pended using a complementary pair of registers to those used to enable/disable the interrupts, named the Set-Pending Register and Clear-Pending Register respectively. The registers use a write-1-to-enable and write-1-to-clear policy, both registers reading back the current pended state of the corresponding interrupts. The Clear-Pending Register

has no effect on the execution status of an Active interrupt.

NVIC interrupts are prioritized by updating an 8-bit field within a 32-bit register (each register supporting four interrupts).

The general registers associated with the NVIC are all accessible from a block of memory in the System Control Space and will be described in next section.

6.2.9.6 *NVIC Control Registers Map*

R: read only, W: write only, R/W: both read and write

Register	Offset	R/W	Description	Reset Value
SCS Base Address:				
SCS_BA = 0xE000_E000				
NVIC_ISER	SCS_BA+0x100	R/W	IRQ0 ~ IRQ31 Set-enable Control Register	0x0000_0000
NVIC_ICER	SCS_BA+0x180	R/W	IRQ0 ~ IRQ31 Clear-enable Control Register	0x0000_0000
NVIC_ISPR	SCS_BA+0x200	R/W	IRQ0 ~ IRQ31 Set-pending Control Register	0x0000_0000
NVIC_ICPR	SCS_BA+0x280	R/W	IRQ0 ~ IRQ31 Clear-pending Control Register	0x0000_0000
NVIC_IPR0	SCS_BA+0x400	R/W	IRQ0 ~ IRQ3 Interrupt Priority Control Register	0x0000_0000
NVIC_IPR1	SCS_BA+0x404	R/W	IRQ4 ~ IRQ7 Interrupt Priority Control Register	0x0000_0000
NVIC_IPR2	SCS_BA+0x408	R/W	IRQ8 ~ IRQ11 Interrupt Priority Control Register	0x0000_0000
NVIC_IPR3	SCS_BA+0x40C	R/W	IRQ12 ~ IRQ15 Interrupt Priority Control Register	0x0000_0000
NVIC_IPR4	SCS_BA+0x410	R/W	IRQ16 ~ IRQ19 Interrupt Priority Control Register	0x0000_0000
NVIC_IPR5	SCS_BA+0x414	R/W	IRQ20 ~ IRQ23 Interrupt Priority Control Register	0x0000_0000
NVIC_IPR6	SCS_BA+0x418	R/W	IRQ24 ~ IRQ27 Interrupt Priority Control Register	0x0000_0000
NVIC_IPR7	SCS_BA+0x41C	R/W	IRQ28 ~ IRQ31 Interrupt Priority Control Register	0x0000_0000

6.2.9.7 NVIC Control Registers Description

IRQ0 ~ IRQ31 Set-enable Control Register (NVIC_ISER)

Register	Offset	R/W	Description	Reset Value
NVIC_ISER	SCS_BA+0x100	R/W	IRQ0 ~ IRQ31 Set-enable Control Register	0x0000_0000

31	30	29	28	27	26	25	24
SETENA							
23	22	21	20	19	18	17	16
SETENA							
15	14	13	12	11	10	9	8
SETENA							
7	6	5	4	3	2	1	0
SETENA							

Bits	Description
[31:0]	<p>SETENA</p> <p>Interrupt Enable Register Enable one or more interrupts. Each bit represents an interrupt number from IRQ0 ~ IRQ31 (Vector number from 16 ~ 47). Write operation: 0 = No effect. 1 = Write 1 to enable associated interrupt. Read operation: 0 = Associated interrupt status is Disabled. 1 = Associated interrupt status is Enabled. Read value indicates the current enable status.</p>

IRQ0 ~ IRQ31 Clear-enable Control Register (NVIC_ICER)

Register	Offset	R/W	Description	Reset Value
NVIC_ICER	SCS_BA+0x180	R/W	IRQ0 ~ IRQ31 Clear-enable Control Register	0x0000_0000

31	30	29	28	27	26	25	24
CLRENA							
23	22	21	20	19	18	17	16
CLRENA							
15	14	13	12	11	10	9	8
CLRENA							
7	6	5	4	3	2	1	0
CLRENA							

Bits	Description
[31:0]	<p>CLRENA</p> <p>Interrupt Disable Register Disable one or more interrupts. Each bit represents an interrupt number from IRQ0 ~ IRQ31 (Vector number from 16 ~ 47). Write operation: 0 = No effect. 1 = Write 1 to disable associated interrupt. Read operation: 0 = Associated interrupt status Disabled. 1 = Associated interrupt status Enabled. Note: Read value indicates the current enable status.</p>

IRQ0 ~ IRQ31 Set-pending Control Register (NVIC_ISPR)

Register	Offset	R/W	Description	Reset Value
NVIC_ISPR	SCS_BA+0x200	R/W	IRQ0 ~ IRQ31 Set-pending Control Register	0x0000_0000

31	30	29	28	27	26	25	24
SETPEND							
23	22	21	20	19	18	17	16
SETPEND							
15	14	13	12	11	10	9	8
SETPEND							
7	6	5	4	3	2	1	0
SETPEND							

Bits	Description
[31:0]	<p>SETPEND</p> <p>Set Interrupt Pending Register Write operation: 0 = No effect. 1 = Write 1 to set pending state. Each bit represents an interrupt number from IRQ0 ~ IRQ31 (Vector number from 16 ~ 47). Read operation: 0 = Associated interrupt in not in pending status. 1 = Associated interrupt is in pending status. Note: Read value indicates the current pending status.</p>

IRQ0 ~ IRQ31 Clear-pending Control Register (NVIC_ICPR)

Register	Offset	R/W	Description	Reset Value
NVIC_ICPR	SCS_BA+0x280	R/W	IRQ0 ~ IRQ31 Clear-pending Control Register	0x0000_0000

31	30	29	28	27	26	25	24
CLRPEND							
23	22	21	20	19	18	17	16
CLRPEND							
15	14	13	12	11	10	9	8
CLRPEND							
7	6	5	4	3	2	1	0
CLRPEND							

Bits	Description
[31:0]	<p>Clear Interrupt Pending Register</p> <p>Write operation: 0 = No effect. 1 = Write 1 to clear pending state. Each bit represents an interrupt number from IRQ0 ~ IRQ31 (Vector number from 16 ~ 47).</p> <p>Read operation: 0 = Associated interrupt in not in pending status. 1 = Associated interrupt is in pending status.</p> <p>Note: Read value indicates the current pending status.</p>

IRQ0 ~ IRQ3 Interrupt Priority Register (NVIC_IPR0)

Register	Offset	R/W	Description	Reset Value
NVIC_IPR0	SCS_BA+0x400	R/W	IRQ0 ~ IRQ3 Interrupt Priority Control Register	0x0000_0000

31	30	29	28	27	26	25	24
PRI_3		Reserved					
23	22	21	20	19	18	17	16
PRI_2		Reserved					
15	14	13	12	11	10	9	8
PRI_1		Reserved					
7	6	5	4	3	2	1	0
PRI_0		Reserved					

Bits	Description	
[31:30]	PRI_3	Priority of IRQ3 0 denotes the highest priority and 3 denotes the lowest priority.
[29:24]	Reserved	Reserved.
[23:22]	PRI_2	Priority of IRQ2 0 denotes the highest priority and 3 denotes the lowest priority.
[21:16]	Reserved	Reserved.
[15:14]	PRI_1	Priority of IRQ1 0 denotes the highest priority and 3 denotes the lowest priority.
[13:8]	Reserved	Reserved.
[7:6]	PRI_0	Priority of IRQ0 0 denotes the highest priority and 3 denotes the lowest priority.
[5:0]	Reserved	Reserved.

IRQ4 ~ IRQ7 Interrupt Priority Register (NVIC IPR1)

Register	Offset	R/W	Description	Reset Value
NVIC_IPR1	SCS_BA+0x404	R/W	IRQ4 ~ IRQ7 Interrupt Priority Control Register	0x0000_0000

31	30	29	28	27	26	25	24
PRI_7		Reserved					
23	22	21	20	19	18	17	16
PRI_6		Reserved					
15	14	13	12	11	10	9	8
PRI_5		Reserved					
7	6	5	4	3	2	1	0
PRI_4		Reserved					

Bits	Description	
[31:30]	PRI_7	Priority of IRQ7 0 denotes the highest priority and 3 denotes the lowest priority.
[29:24]	Reserved	Reserved.
[23:22]	PRI_6	Priority of IRQ6 0 denotes the highest priority and 3 denotes the lowest priority.
[21:16]	Reserved	Reserved.
[15:14]	PRI_5	Priority of IRQ5 0 denotes the highest priority and 3 denotes the lowest priority.
[13:8]	Reserved	Reserved.
[7:6]	PRI_4	Priority of IRQ4 0 denotes the highest priority and 3 denotes the lowest priority.
[5:0]	Reserved	Reserved.

IRQ8 ~ IRQ11 Interrupt Priority Register (NVIC IPR2)

Register	Offset	R/W	Description	Reset Value
NVIC_IPR2	SCS_BA+0x408	R/W	IRQ8 ~ IRQ11 Interrupt Priority Control Register	0x0000_0000

31	30	29	28	27	26	25	24
PRI_11		Reserved					
23	22	21	20	19	18	17	16
PRI_10		Reserved					
15	14	13	12	11	10	9	8
PRI_9		Reserved					
7	6	5	4	3	2	1	0
PRI_8		Reserved					

Bits	Description	
[31:30]	PRI_11	Priority of IRQ11 0 denotes the highest priority and 3 denotes the lowest priority.
[29:24]	Reserved	Reserved.
[23:22]	PRI_10	Priority of IRQ10 0 denotes the highest priority and 3 denotes the lowest priority.
[21:16]	Reserved	Reserved.
[15:14]	PRI_9	Priority of IRQ9 0 denotes the highest priority and 3 denotes the lowest priority.
[13:8]	Reserved	Reserved.
[7:6]	PRI_8	Priority of IRQ8 0 denotes the highest priority and 3 denotes the lowest priority.
[5:0]	Reserved	Reserved.

IRQ12 ~ IRQ15 Interrupt Priority Register (NVIC IPR3)

Register	Offset	R/W	Description	Reset Value
NVIC_IPR3	SCS_BA+0x40C	R/W	IRQ12 ~ IRQ15 Interrupt Priority Control Register	0x0000_0000

31	30	29	28	27	26	25	24
PRI_15		Reserved					
23	22	21	20	19	18	17	16
PRI_14		Reserved					
15	14	13	12	11	10	9	8
PRI_13		Reserved					
7	6	5	4	3	2	1	0
PRI_12		Reserved					

Bits	Description	
[31:30]	PRI_15	Priority of IRQ15 0 denotes the highest priority and 3 denotes the lowest priority.
[29:24]	Reserved	Reserved.
[23:22]	PRI_14	Priority of IRQ14 0 denotes the highest priority and 3 denotes the lowest priority.
[21:16]	Reserved	Reserved.
[15:14]	PRI_13	Priority of IRQ13 0 denotes the highest priority and 3 denotes the lowest priority.
[13:8]	Reserved	Reserved.
[7:6]	PRI_12	Priority of IRQ12 0 denotes the highest priority and 3 denotes the lowest priority.
[5:0]	Reserved	Reserved.

IRQ16 ~ IRQ19 Interrupt Priority Register (NVIC IPR4)

Register	Offset	R/W	Description	Reset Value
NVIC_IPR4	SCS_BA+0x410	R/W	IRQ16 ~ IRQ19 Interrupt Priority Control Register	0x0000_0000

31	30	29	28	27	26	25	24
PRI_19		Reserved					
23	22	21	20	19	18	17	16
PRI_18		Reserved					
15	14	13	12	11	10	9	8
PRI_17		Reserved					
7	6	5	4	3	2	1	0
PRI_16		Reserved					

Bits	Description	
[31:30]	PRI_19	Priority of IRQ19 0 denotes the highest priority and 3 denotes the lowest priority.
[29:24]	Reserved	Reserved.
[23:22]	PRI_18	Priority of IRQ18 0 denotes the highest priority and 3 denotes the lowest priority.
[21:16]	Reserved	Reserved.
[15:14]	PRI_17	Priority of IRQ17 0 denotes the highest priority and 3 denotes the lowest priority.
[13:8]	Reserved	Reserved.
[7:6]	PRI_16	Priority of IRQ16 0 denotes the highest priority and 3 denotes the lowest priority.
[5:0]	Reserved	Reserved.

IRQ20 ~ IRQ23 Interrupt Priority Register (NVIC IPR5)

Register	Offset	R/W	Description	Reset Value
NVIC_IPR5	SCS_BA+0x414	R/W	IRQ20 ~ IRQ23 Interrupt Priority Control Register	0x0000_0000

31	30	29	28	27	26	25	24
PRI_23		Reserved					
23	22	21	20	19	18	17	16
PRI_22		Reserved					
15	14	13	12	11	10	9	8
PRI_21		Reserved					
7	6	5	4	3	2	1	0
PRI_20		Reserved					

Bits	Description	
[31:30]	PRI_23	Priority of IRQ23 0 denotes the highest priority and 3 denotes the lowest priority.
[29:24]	Reserved	Reserved.
[23:22]	PRI_22	Priority of IRQ22 0 denotes the highest priority and 3 denotes the lowest priority.
[21:16]	Reserved	Reserved.
[15:14]	PRI_21	Priority of IRQ21 0 denotes the highest priority and 3 denotes the lowest priority.
[13:8]	Reserved	Reserved.
[7:6]	PRI_20	Priority of IRQ20 0 denotes the highest priority and 3 denotes the lowest priority.
[5:0]	Reserved	Reserved.

IRQ24 ~ IRQ27 Interrupt Priority Register (NVIC IPR6)

Register	Offset	R/W	Description	Reset Value
NVIC_IPR6	SCS_BA+0x418	R/W	IRQ24 ~ IRQ27 Interrupt Priority Control Register	0x0000_0000

31	30	29	28	27	26	25	24
PRI_27		Reserved					
23	22	21	20	19	18	17	16
PRI_26		Reserved					
15	14	13	12	11	10	9	8
PRI_25		Reserved					
7	6	5	4	3	2	1	0
PRI_24		Reserved					

Bits	Description	
[31:30]	PRI_27	Priority of IRQ27 0 denotes the highest priority and 3 denotes the lowest priority.
[29:24]	Reserved	Reserved.
[23:22]	PRI_26	Priority of IRQ26 0 denotes the highest priority and 3 denotes the lowest priority.
[21:16]	Reserved	Reserved.
[15:14]	PRI_25	Priority of IRQ25 0 denotes the highest priority and 3 denotes the lowest priority.
[13:8]	Reserved	Reserved.
[7:6]	PRI_24	Priority of IRQ24 0 denotes the highest priority and 3 denotes the lowest priority.
[5:0]	Reserved	Reserved.

IRQ28 ~ IRQ31 Interrupt Priority Register (NVIC IPR7)

Register	Offset	R/W	Description	Reset Value
NVIC_IPR7	SCS_BA+0x41C	R/W	IRQ28 ~ IRQ31 Interrupt Priority Control Register	0x0000_0000

31	30	29	28	27	26	25	24
PRI_31		Reserved					
23	22	21	20	19	18	17	16
PRI_30		Reserved					
15	14	13	12	11	10	9	8
PRI_29		Reserved					
7	6	5	4	3	2	1	0
PRI_28		Reserved					

Bits	Description	
[31:30]	PRI_31	Priority of IRQ31 0 denotes the highest priority and 3 denotes the lowest priority.
[29:24]	Reserved	Reserved.
[23:22]	PRI_30	Priority of IRQ30 0 denotes the highest priority and 3 denotes the lowest priority.
[21:16]	Reserved	Reserved.
[15:14]	PRI_29	Priority of IRQ29 0 denotes the highest priority and 3 denotes the lowest priority.
[13:8]	Reserved	Reserved.
[7:6]	PRI_28	Priority of IRQ28 0 denotes the highest priority and 3 denotes the lowest priority.
[5:0]	Reserved	Reserved.

6.2.9.8 Interrupt Source Control Registers Map

Besides the interrupt control registers associated with the NVIC, the NM1230 series also implements some specific control registers to facilitate the interrupt functions, including "NMI source selection" and "IRQ number identity", which are described below.

R: read only, W: write only, R/W: both read and write

Register	Offset	R/W	Description	Reset Value
INT Base Address: INT_BA = 0x5000_0300				
INT_NMICTL	INT_BA+0x80	R/W	NMI Source Interrupt Select Control Register	0x0000_0000
INT_IRQSTS	INT_BA+0x84	R/W	MCU IRQ Number Identity Register	0x0000_0000

6.2.9.9 Interrupt Source Control Register Description

NMI Interrupt Source Select Control Register (INT_NMICTL)

Register	Offset	R/W	Description	Reset Value
INT_NMICTL	INT_BA+0x80	R/W	NMI Source Interrupt Select Control Register	0x0000_0000

31	30	29	28	27	26	25	24
Reserved							
23	22	21	20	19	18	17	16
Reserved							
15	14	13	12	11	10	9	8
Reserved							NMISELEN
7	6	5	4	3	2	1	0
Reserved				NMISEL			

Bits	Description	
[31:9]	Reserved	Reserved.
[8]	NMISELEN	<p>NMI Interrupt Enable Control (Write Protected)</p> <p>0 = NMI interrupt Disabled. 1 = NMI interrupt Enabled.</p> <p>Note: This bit is the protected bit, and programming it needs to write 0x59, 0x16, and 0x88 to address 0x5000_0100 to disable register protection. Refer to the register SYS_REGLCTL at address SYS_BA+0x100.</p>
[7:5]	Reserved	Reserved.

Bits	Description	
[4:0]	NMISEL	NMI Interrupt Source Selection The NMI interrupt to Cortex®-M0 can be selected from one of the peripheral interrupt by setting NMTSEL.

MCU Interrupt Request Source Register (INT_IRQSTS)

Register	Offset	R/W	Description	Reset Value
INT_IRQSTS	INT_BA+0x84	R/W	MCU IRQ Number Identity Register	0x0000_0000

31	30	29	28	27	26	25	24
IRQ							
23	22	21	20	19	18	17	16
IRQ							
15	14	13	12	11	10	9	8
IRQ							
7	6	5	4	3	2	1	0
IRQ							

Bits	Description
[31:0]	<p>MCU IRQ Source Register</p> <p>The IRQ collects all the interrupts from the peripherals and generates the synchronous interrupt to Cortex®-M0 core. There is one mode to generate interrupt to Cortex®-M0 - the normal mode.</p> <p>The IRQ collects all interrupts from each peripheral and synchronizes them then interrupts the Cortex®-M0.</p> <p>When the IRQ[n] is 0, setting IRQ[n] to 1 will generate an interrupt to Cortex®-M0 NVIC[n].</p> <p>When the IRQ[n] is 1 (i.e. an interrupt is assert), setting 1 to the MCU_bit[n] will clear the interrupt and setting IRQ[n] 0 has no effect.</p>

6.2.10 System Control Registers

Key control and status features of Cortex®-M0 are managed centrally in a System Control Block within the System Control Registers.

For more detailed information, please refer to the “ARM® Cortex®-M0 Technical Reference Manual” and “ARM® v6-M Architecture Reference Manual”.

6.2.10.1 System Control Register Memory Map

R: read only, **W:** write only, **R/W:** both read and write

Register	Offset	R/W	Description	Reset Value
SCS Base Address: SCS_BA = 0xE000_E000				
SCS_CPUID	SCS_BA+0xD00	R	CPUID Base Register	0x410C_C200
SCS_ICSR	SCS_BA+0xD04	R/W	Interrupt Control State Register	0x0000_0000
SCS_AIRCR	SCS_BA+0xD0C	R/W	Application Interrupt and Reset Control Register	0xFA05_0000
SCS_SCR	SCS_BA+0xD10	R/W	System Control Register	0x0000_0000
SCS_SHPR2	SCS_BA+0xD1C	R/W	System Handler Priority Register 2	0x0000_0000
SCS_SHPR3	SCS_BA+0xD20	R/W	System Handler Priority Register 3	0x0000_0000

6.2.10.2 System Control Register Description

CPUID Base Register (CPUID)

Register	Offset	R/W	Description	Reset Value
SCS_CPUID	SCS_BA+0xD00	R	CPUID Base Register	0x410C_C200

31	30	29	28	27	26	25	24
IMPLEMENTER							
23	22	21	20	19	18	17	16
Reserved				PART			
15	14	13	12	11	10	9	8
PARTNO							
7	6	5	4	3	2	1	0
PARTNO				REVISION			

Bits	Description	
[31:24]	IMPLEMENTER	Implementer Code Implementer code assigned by ARM (ARM = 0x41).
[23:20]	Reserved	Reserved.
[19:16]	PART	Architecture of the Processor Reads as 0xC for ARMv6-M parts
[15:4]	PARTNO	Part Number of the Processor Reads as 0xC20.
[3:0]	REVISION	Revision Number Reads as 0x0

Interrupt Control State Register (ICSR)

Register	Offset	R/W	Description	Reset Value
SCS_ICSR	SCS_BA+0xD04	R/W	Interrupt Control State Register	0x0000_0000

31	30	29	28	27	26	25	24
NMIPENDSET	Reserved		PENDSVSET	PENDSVCLR	PENDSTSET	PENDSTCLR	Reserved
23	22	21	20	19	18	17	16
ISRPREEMPT	ISR_PENDING	Reserved	VECTPENDING				
15	14	13	12	11	10	9	8
VECTPENDING				Reserved			VECTACTIVE
7	6	5	4	3	2	1	0
VECTACTIVE							

Bits	Description
[31]	<p>NMIPENDSET</p> <p>NMI Set-pending Bit Write Operation: 0 = No effect. 1 = Changes NMI exception state to pending. Read Operation: 0 = NMI exception not pending. 1 = NMI exception pending. Note: Because NMI is the highest-priority exception, normally the processor enters the NMI exception handler as soon as it detects a write of 1 to this bit. Entering the handler then clears this bit to 0. This means a read of this bit by the NMI exception handler returns 1 only if the NMI signal is reasserted while the processor is executing that handler.</p>
[30:29]	Reserved.
[28]	<p>PENDSVSET</p> <p>PendSV Set-pending Bit Write Operation: 0 = No effect. 1 = Changes PendSV exception state to pending. Read Operation: 0 = PendSV exception is not pending. 1 = PendSV exception is pending. Note: Writing 1 to this bit is the only way to set the PendSV exception state to pending</p>
[27]	<p>PENDSVCLR</p> <p>PendSV Clear-pending Bit Write Operation: 0 = No effect. 1 = Removes the pending state from the PendSV exception. This bit is write-only. To clear the PENDSV bit, you must "write 0 to PENDSVSET and write 1 to PENDSVCLR" at the same time.</p>
[26]	<p>PENDSTSET</p> <p>SysTick Exception Set-pending Bit</p>

		<p>Write Operation: 0 = No effect. 1 = Changes SysTick exception state to pending.</p> <p>Read Operation: 0 = SysTick exception is not pending. 1 = SysTick exception is pending.</p>
[25]	PENDSTCLR	<p>SysTick Exception Clear-pending Bit</p> <p>Write Operation: 0 = No effect. 1 = Removes the pending state from the SysTick exception.</p> <p>Note: This bit is write-only. When you want to clear PENDST bit, you must “write 0 toPENDSTSET and write 1 to PENDSTCLR” at the same time.</p>
[24]	Reserved	Reserved.
[23]	ISRPREEMPT	<p>Interrupt Preempt Bit(Read Only)</p> <p>If set, a pending exception will be serviced on exit from the debug halt state</p>
[22]	ISRPENDING	<p>Interrupt Pending Flag,Excluding NMI and Faults (Read Only)</p> <p>0 = Interrupt not pending. 1 = Interrupt pending.</p>
[21]	Reserved	Reserved.
[20:12]	VECTPENDING	<p>Exception Number of the Highest Priority Pending Enabled Exception</p> <p>0 = No pending exceptions. Non-zero = Exception number of the highest priority pending enabled exception.</p>
[11:9]	Reserved	Reserved.
[8:0]	VECTACTIVE	<p>Contains the Active Exception Number</p> <p>0 = Thread mode. Non-zero = Exception number of the currently active exception.</p>

Application Interrupt and Reset Control Register (SCS_AIRCR)

Register	Offset	R/W	Description	Reset Value
SCS_AIRCR	SCS_BA+0xD0C	R/W	Application Interrupt and Reset Control Register	0xFA05_0000

31	30	29	28	27	26	25	24
VECTORKEY							
23	22	21	20	19	18	17	16
VECTORKEY							
15	14	13	12	11	10	9	8
Reserved							
7	6	5	4	3	2	1	0
Reserved					SYSRESETREQ	VECTCLRACTIVE	Reserved

Bits	Description	
[31:16]	VECTORKEY	<p>Register Access Key</p> <p>Write Operation: When writing to this register, the VECTORKEY field need to be set to 0x05FA, otherwise the write operation would be ignored. The VECTORKEY filed is used to prevent accidental write to this register from resetting the system or clearing of the exception status.</p> <p>Read Operation: Read as 0xFA05.</p>
[15:3]	Reserved	Reserved.
[2]	SYSRESETREQ	<p>System Reset Request</p> <p>Writing this bit 1 will cause a reset signal to be asserted to the chip to indicate a reset is requested.</p> <p>The bit is a write only bit and self-clears as part of the reset sequence.</p>
[1]	VECTCLRACTIVE	<p>Exception Active Status Clear Bit</p> <p>Reserved for debug use. When writing to the register, user must write 0 to this bit, otherwise behavior is unpredictable.</p>
[0]	Reserved	Reserved.

System Control Register (SCR)

Register	Offset	R/W	Description	Reset Value
SCS_SCR	SCS_BA+0xD10	R/W	System Control Register	0x0000_0000

31	30	29	28	27	26	25	24
Reserved							
23	22	21	20	19	18	17	16
Reserved							
15	14	13	12	11	10	9	8
Reserved							
7	6	5	4	3	2	1	0
Reserved			SEVONPEND	Reserved	SLEEPDEEP	SLEEPONEXIT	Reserved

Bits	Description	
[31:5]	Reserved	Reserved.
[4]	SEVONPEND	<p>Send Event on Pending Bit</p> <p>0 = Only enabled interrupts or events can wake-up the processor, disabled interrupts are excluded.</p> <p>1 = Enabled events and all interrupts, including disabled interrupts, can wake-up the processor.</p> <p>When an event or interrupt enters pending state, the event signal wakes up the processor from WFE. If the processor is not waiting for an event, the event is registered and affects the next WFE.</p> <p>The processor also wakes up on execution of an SEV instruction or an external event.</p>
[3]	Reserved	Reserved.
[2]	SLEEPDEEP	<p>Processor Deep Sleep and Sleep Mode Selection</p> <p>Controls whether the processor uses sleep or deep sleep as its low power mode:</p> <p>0 = Sleep mode.</p> <p>1 = Deep Sleep mode.</p>
[1]	SLEEPONEXIT	<p>Sleep-on-exit Enable Control</p> <p>This bit indicates sleep-on-exit when returning from Handler mode to Thread mode.</p> <p>0 = Do not sleep when returning to Thread mode.</p> <p>1 = Enter Sleep or Deep Sleep when returning from ISR to Thread mode. Setting this bit to 1 enables an interrupt driven application to avoid returning to an empty main application.</p>
[0]	Reserved	Reserved.

System Handler Priority Register 2 (SHPR2)

Register	Offset	R/W	Description	Reset Value
SCS_SHPR2	SCS_BA+0xD1C	R/W	System Handler Priority Register 2	0x0000_0000

31	30	29	28	27	26	25	24
PRI_11		Reserved					
23	22	21	20	19	18	17	16
Reserved							
15	14	13	12	11	10	9	8
Reserved							
7	6	5	4	3	2	1	0
Reserved							

Bits	Description	
[31:30]	PRI_11	Priority of System Handler 11 – SVCAll "0" denotes the highest priority and "3" denotes the lowest priority.
[29:0]	Reserved	Reserved.

System Handler Priority Register 3 (SHPR3)

Register	Offset	R/W	Description	Reset Value
SCS_SHPR3	SCS_BA+0xD20	R/W	System Handler Priority Register 3	0x0000_0000

31	30	29	28	27	26	25	24
PRI_15		Reserved					
23	22	21	20	19	18	17	16
PRI_14		Reserved					
15	14	13	12	11	10	9	8
Reserved							
7	6	5	4	3	2	1	0
Reserved							

Bits	Description	
[31:30]	PRI_15	Priority of System Handler 15 – SysTick "0" denotes the highest priority and "3" denotes the lowest priority.
[29:24]	Reserved	Reserved.
[23:22]	PRI_14	Priority of System Handler 14 – PendSV "0" denotes the highest priority and "3" denotes the lowest priority.
[21:0]	Reserved	Reserved.

6.3 Clock Controller

6.3.1 Overview

The clock controller generates clocks for the whole chip, including system clocks and all peripheral clocks. The clock controller also implements the power control function with the individually clock ON/OFF control, clock source selection and clock divider. The chip enters Power-down mode when the Cortex[®]-M0 core executes the WFI instruction only if the PDEN (CLK_PWRCTL[7]) bit set to 1. After that, chip enters Power-down mode and waits for wake-up interrupt source triggered to exit Power-down mode. In Power-down mode, the clock controller turns off the 4~24 MHz external high speed crystal (HXT) and 48(72) MHz internal high speed RC oscillator (HIRC) to reduce the overall system power consumption. Figure 6.3-1 shows the clock generator and the overview of the clock source control.

6.3.2 Clock Diagram

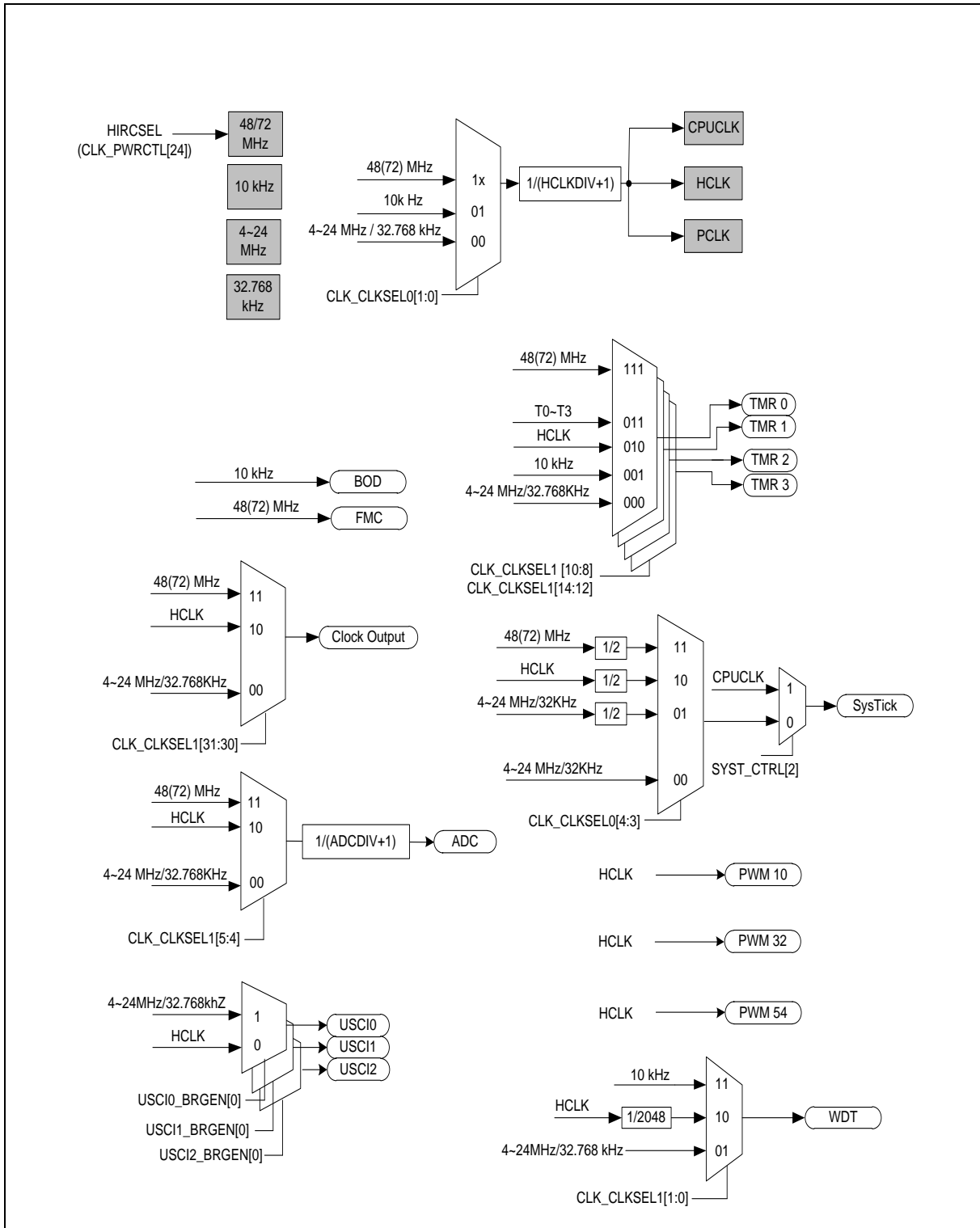


Figure 6.3-1 Clock Generator Global View Diagram

6.3.3 Clock Generator

The clock generator consists of 4 clock sources, which are listed below:

- 32.768 kHz external low speed crystal oscillator (LXT)
- 4~24 MHz external high speed crystal oscillator (HXT)
- 48(72) MHz internal high speed RC oscillator (HIRC)
- 10 kHz internal low speed RC oscillator (LIRC)

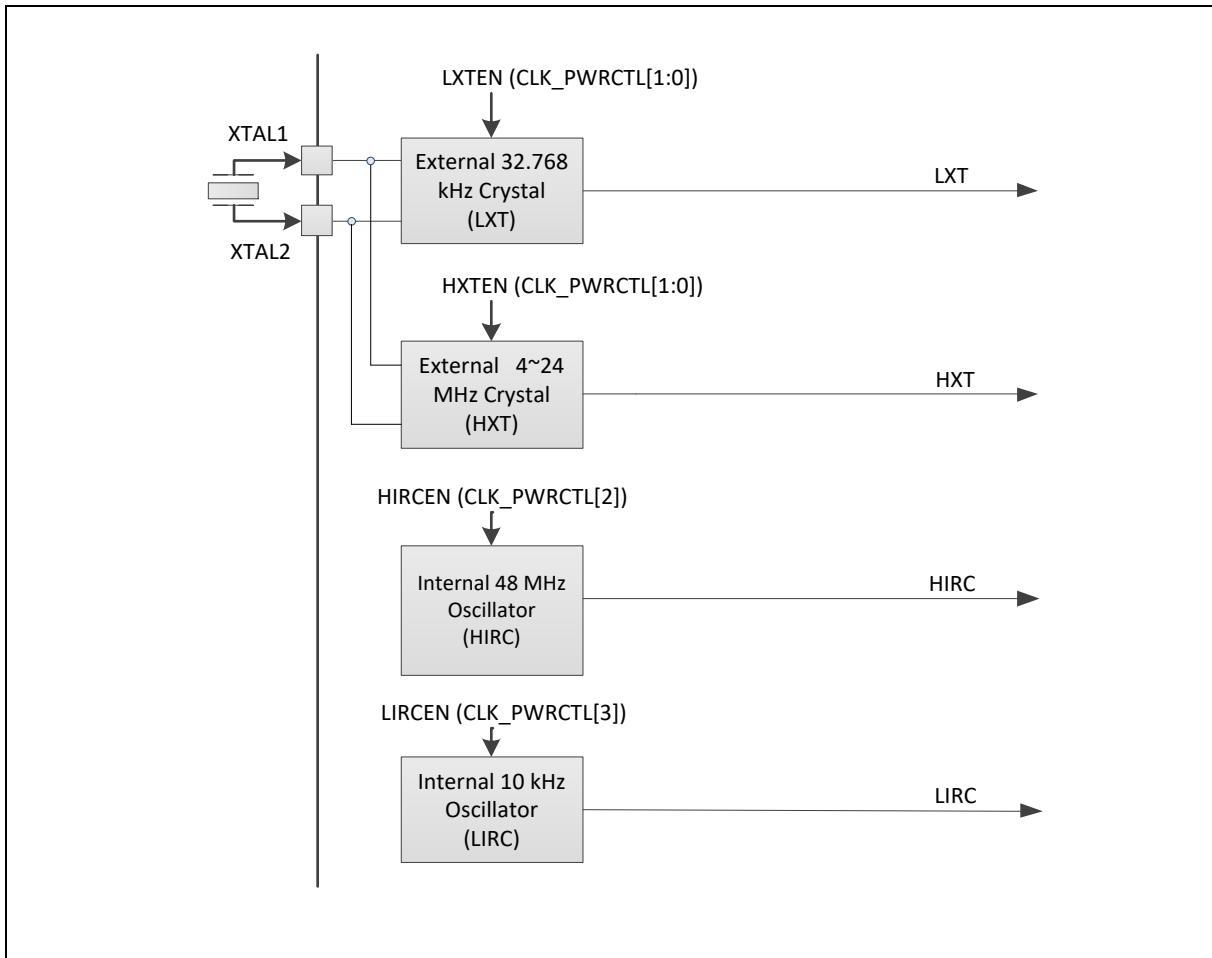


Figure 6.3-2 Clock Generator Block Diagram

The external crystal oscillator and two capacitors are connected to the pad “XT_IN” and pad “XT_OUT”. The capacitance value of the two capacitors may be changed for differential crystal oscillator from different vender. The load capacitance values and resistance values must be adjusted according to the selected oscillator. The recommended load capacitance values and resistance values as

Crystal Oscillator	Capacitance Values	Resistance Values
12 MHz	C1:20pF , C2:20pF	Hi-Z (Build in Chip)
32.768 kHz	C1:20pF , C2:20oF	Hi-Z (Build in Chip)

Table 6.3-1 Recommended Load Capacitance Values and Resistance Values

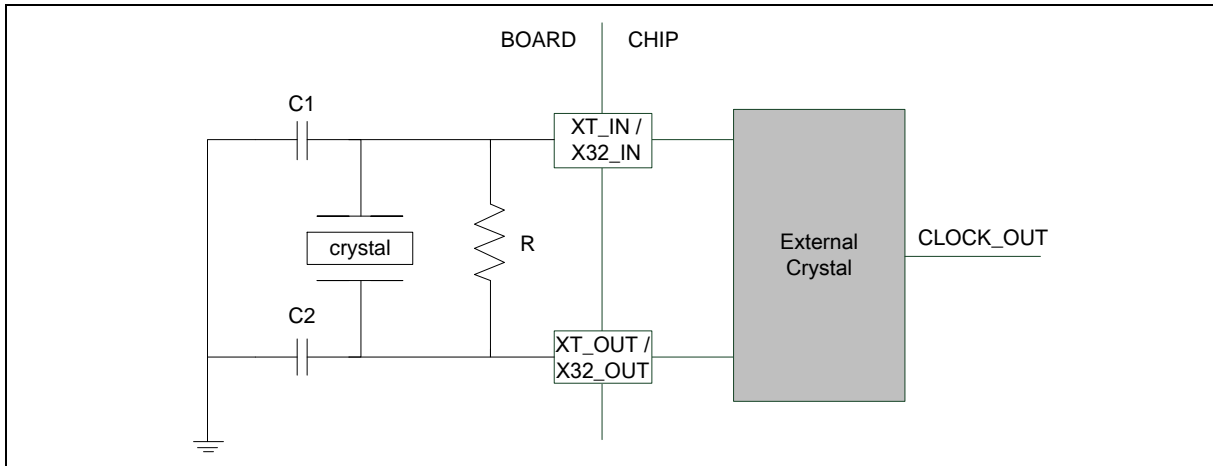


Figure 6.3-3 Crystal Oscillator Circuit

6.3.4 System Clock and SysTick Clock

The system clock has three clock sources which were generated from clock generator block. The clock source switch depends on the register HCLKSEL (CLK_CLKSEL0[1:0]). The block diagram is shown in Figure 6.3-4.

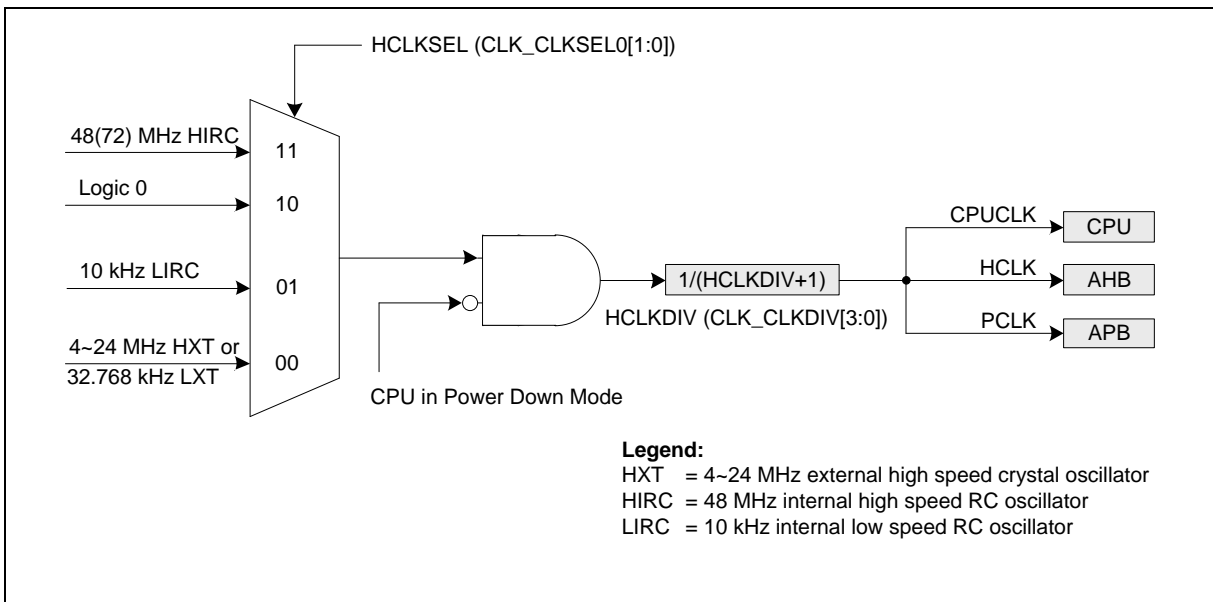


Figure 6.3-4 System Clock Block Diagram

The clock source of SysTick in the Cortex®-M0 core can use CPU clock or external clock (SYST_CTL[2]). If using external clock, the SysTick clock (STCLK) has 4 clock sources. The clock source switch depends on the setting of the register STCLKSEL (CLK_CLKSEL0[4:3]). The block diagram is shown in Figure 6.3-5.

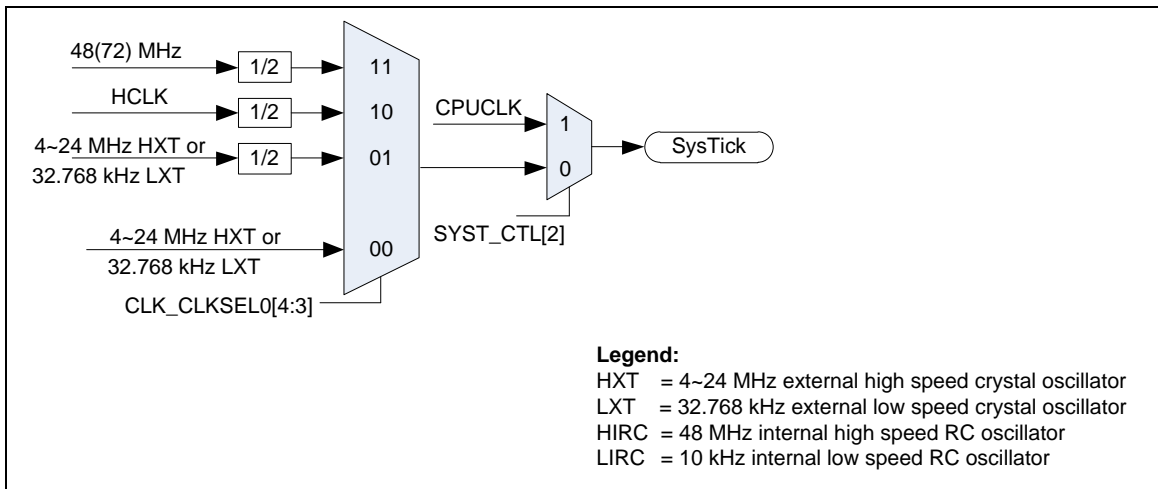


Figure 6.3-5 SysTick Clock Control Block Diagram

6.3.5 AHB Clock Source Selection

The clock source of ISP is from AHB clock (HCLK). Please refer to register CLK_AHBCLK.

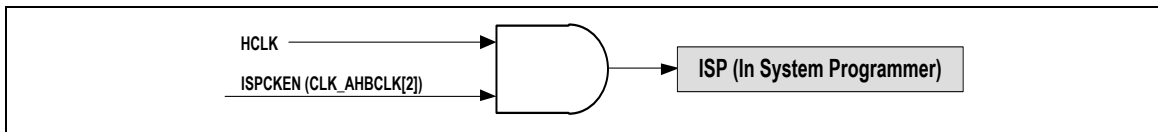


Figure 6.3-6 AHB Clock Source for HCLK

6.3.6 Peripherals Clock Source Selection

The peripheral clock has different clock source switch settings depending on different peripherals. Please refer to the CLK_CLKSEL1 and CLK_APBCLK register description in section 錯誤! 找不到參照來源。

6.3.7 Power-down Mode Clock

When entering Power-down mode, system clocks, some clock sources and some peripheral clocks are disabled. Some clock sources and peripherals clock are still active in Power-down mode.

The clocks still kept active are listed below:

- Clock Generator
- 10 kHz internal low speed oscillator (LIRC) clock
- 32.768 kHz external low speed crystal oscillator (LXT) clock (If PDLXT = 1 and XTLEN[1:0] = 10)
- Peripherals Clock (When 10 kHz low speed oscillator is adopted as clock source)
 - ◆ Watchdog Clock

◆ Timer 0/1 Clock

6.3.8 Frequency Divider Output

This device is equipped with a power-of-2 frequency divider which is composed of 16 chained divide-by-2 shift registers. One of the 16 shift register outputs selected by a sixteen to one multiplexer is reflected to the CLKO pin. Therefore there are 16 options of power-of-2 divided clocks with the frequency from $F_{in}/2^1$ to $F_{in}/2^{16}$ where F_{in} is input clock frequency to the clock divider.

The output formula is $F_{out} = F_{in}/2^{(N+1)}$, where F_{in} is the input clock frequency, F_{out} is the clock divider output frequency and N is the 4-bit value in FREQSEL (CLK_CLKOCTL[3:0]).

When writing 1 to CLKOEN (CLK_CLKOCTL[4]), the chained counter starts to count. When writing 0 to CLKOEN (CLK_CLKOCTL[4]), the chained counter continuously runs till divided clock reaches low state and stay in low state.

if DIV1EN(CLK_CLKOCTL[5]) set to 1, the frequency divider clock will bypass power-of-2 frequency divider. The frequency divider clock will be output to CLKO pin directly.

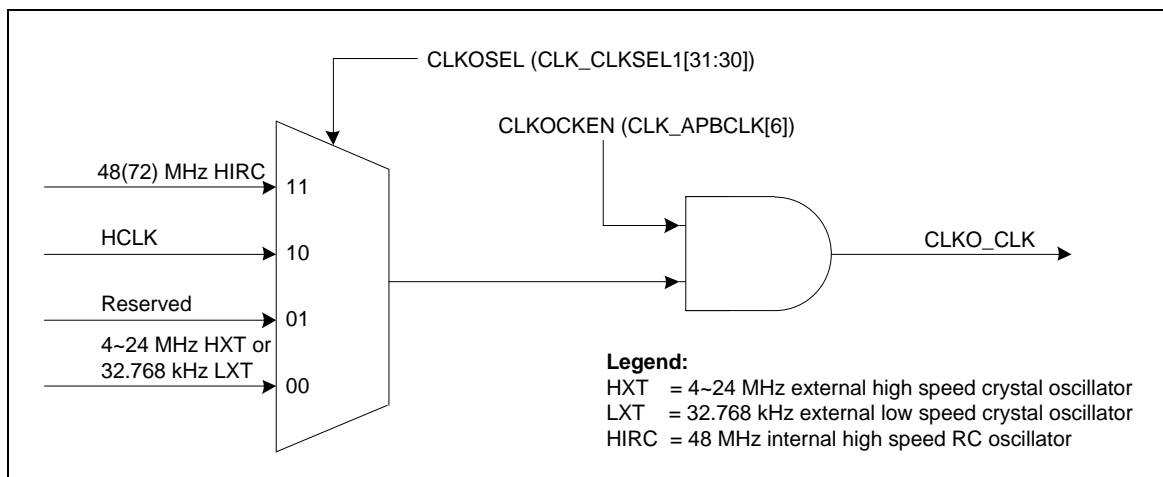


Figure 6.3-7 Clock Source of Frequency Divider

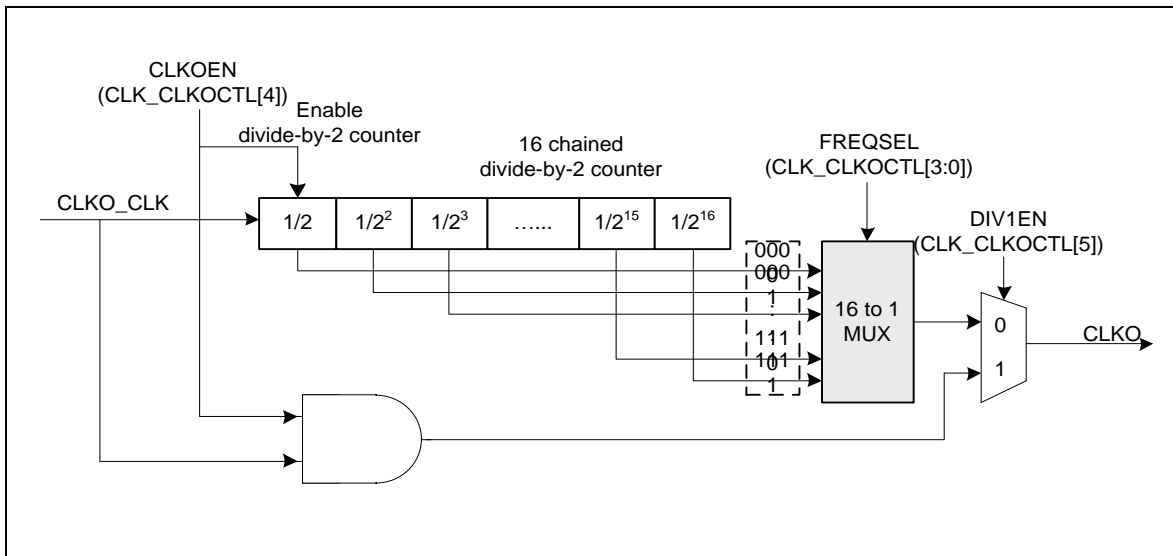


Figure 6.3-8 Block Diagram of Frequency Divider

6.4 Flash Memory Controller (FMC)

6.4.1 Overview

The NM1230 series is equipped with 48/64 Kbytes on chip embedded Flash EPROM for application program memory (APROM) that can be updated through ISP procedure. In System Programming (ISP) function enables user to update program memory when chip is soldered on PCB. After chip powered on Cortex[®]-M0 CPU fetches code from APROM or LDROM decided by boot select (CBS) in Config0. By the way, the NM1230 series also provides Data Flash Region, where the Data Flash is shared with original program memory and its start address is configurable and defined by user in Config1. The Data Flash size is defined by user depending on the application request. Security program memory (SPROM) provides user to protect any program code within SPROM.

6.4.2 Features

- Running up to 48(72) MHz with one wait state and 24 MHz without wait state for discontinuous address read access
- 48/64 Kbytes application program memory (APROM)
- 7.5 Kbytes in system programming (ISP) loader program memory (LDROM)
- Programmable Data Flash start address and memory size with 512 bytes page erase unit
- In System Program (ISP)/In Application Program (IAP) to update on chip Flash EPROM

6.5 General Purpose I/O (GPIO)

6.5.1 Overview

The NM1230 series has up to 44 General Purpose I/O pins and one input pin. These pins could be shared with other functions depending on the chip configuration. 44 pins are arranged in 6 ports named as PA, PB, PC, PD, PE and PF. Each of the 44 pins is independent and has the corresponding register bits to control the pin mode function and data.

The I/O type of each of I/O pins can be configured by software individually as Input, Push-pull output, Open-drain output or Quasi-bidirectional mode. After the chip is reset, the I/O mode of all pins are depending on CIOIN (CONFIG0[10]).

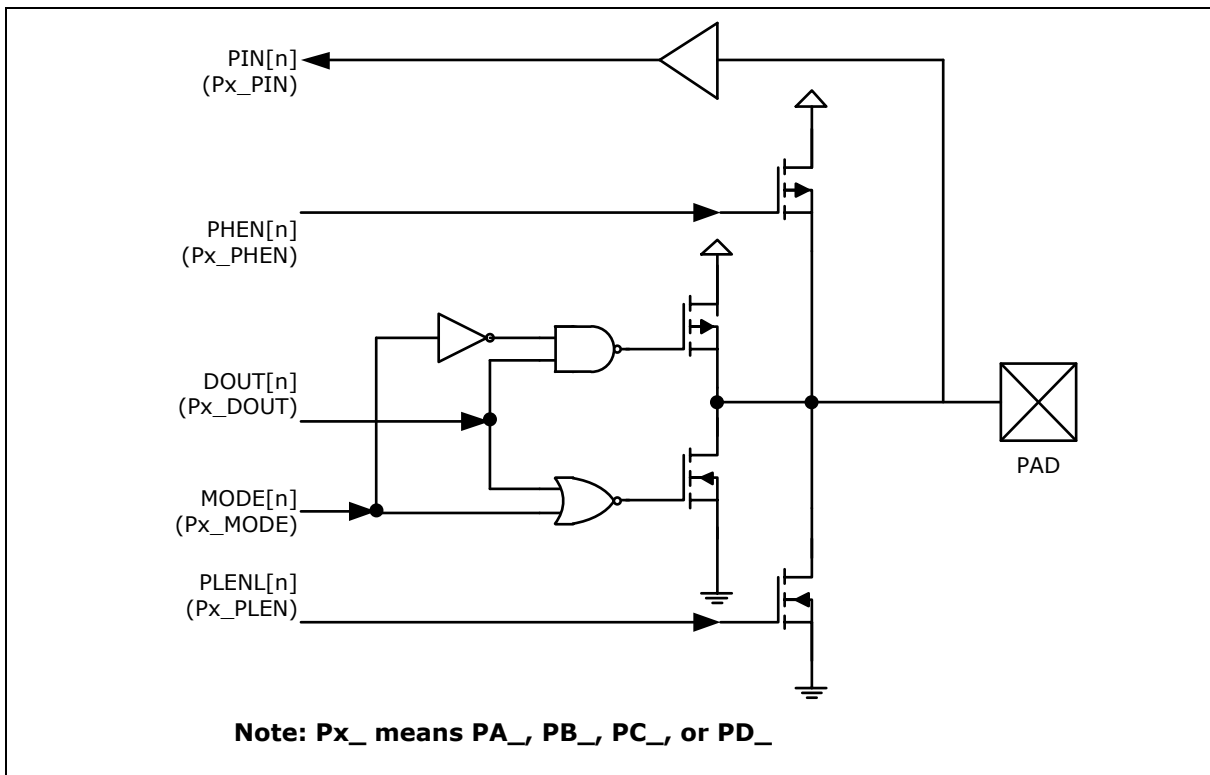


Figure 6.5-1 I/O Pin Block Diagram

6.5.2 Features

- Four I/O modes:
 - Quasi-bidirectional mode
 - Push-Pull Output mode
 - Open-Drain Output mode
 - Input only with high impedance mode
- TTL/Schmitt trigger input selectable
- I/O pin can be configured as interrupt source with edge/level setting
- Supports High Drive and High Slew Rate I/O mode
- Configurable default I/O mode of all pins after reset by CIOINI (CONFIG0[10]) setting
 - CIOIN = 0, all GPIO pins in Quasi-bidirectional mode after chip reset
 - CIOIN = 1, all GPIO pins in input mode after chip reset
- All GPIO supports the pull-up and pull-low resistor enabled in four I/O modes

- Enabling the pin interrupt function will also enable the wake-up function

6.6 Timer Controller (TIMER)

6.6.1 Overview

The Timer Controller includes four 32-bit timers, TIMER0 ~ TIMER3, allowing user to easily implement a timer control for applications. The timer can perform functions, such as frequency measurement, delay timing, clock generation, and event counting by external input pins, and interval measurement by external capture pins.

6.6.2 Features

- Supports two sets of 32-bit timers with 24-bit up-timer and one 8-bit pre-scale counter
- Supports independent clock source for each channel (TMR0/1/2/3_CLK)
- Supports four timer counting modes: one-shot, periodic, toggle and continuous counting
- Time-out period = (period of timer clock input) * (8-bit pre-scale counter + 1) * (24-bit CMPDAT)
- Supports maximum counting cycle time = $(1 / T \text{ MHz}) * (2^8) * (2^{24})$; T is the period of timer clock
- 24-bit up counter value is readable through TIMERx_CNT (Timer Data Register)
- Supports event counting function to count the event from external pin (TM0/1/2/3)
- Supports internal capture triggered while internal ACMP output signal transition
- Supports chip wake-up from Idle/Power-down mode if a timer interrupt signal is generated

6.7 Enhanced Input Capture Timer (ECAP)

6.7.1 Overview

This device provides an Input Capture Timer/Counter whose capture function can detect the digital edge-changed signal at channel inputs. This unit has three input capture channels. The timer/counter is equipped with up counting, reload and compare-match capabilities.

6.7.2 Features

- Supports the interrupt function
- Each input channel has its own capture counter hold register
- 24-bit Input Capture up-counting timer/counter
- With noise filter in front end of input ports
- Edge detector with three options
 - ◆ Rising edge detection
 - ◆ Falling edge detection
 - ◆ Both edge detection
- Each input channel is supported with one capture counter hold register
- Captured event reset and/or reload capture counter
- Supports compare-match function

6.8 Enhanced PWM Generator (EPWM)

6.8.1 Overview

The NM1230 has built in one PWM unit which is specially designed for motor driving control applications. The PWM unit supports six PWM generators which can be configured as six independent PWM outputs, PWM0~PWM5, or as three complementary PWM pairs, (PWM0, PWM1), (PWM2, PWM3) and (PWM4, PWM5) with three programmable dead-zone generators.

Every complementary PWM pairs share one clock divider providing nine divided frequencies (1, 1/2, 1/4, 1/8, 1/16, 1/32, 1/64, 1/128, 1/256) for each channel. Each PWM output shares one 16-bit counter for PWM period control, and 16-bit comparators for PWM duty control. The six PWM generators provide fourteen independent PWM interrupt flags which are set by hardware when the corresponding PWM period counter comparison matched period and duty. Each PWM interrupt source with its corresponding enable bit can request PWM interrupt. The PWM generators can be configured as One-shot mode to produce only one PWM cycle signal or Auto-reload mode to output PWM waveform continuously.

To prevent PWM driving output pin with unsteady waveform, the 16-bit period up counter and 16-bit comparator are implemented with double buffer. When user writes data to counter/comparator buffer registers, the updated value will be loaded into the 16-bit counter/comparator at the end of current period. The double buffering feature avoids glitch at PWM outputs.

Besides PWM, Motor controlling also need Timer, ACMP and ADC to work together. To control motor more precisely, some registers are provided to configure not only PWM but also Timer, ADC and ACMP. By doing so, it can save more CPU time and control motor with ease especially in BLDC.

6.8.2 Features

- Supports one PWM clock timer and one 9 level Divider (1, 1/2, 1/4, 1/8, 1/16, 1/32, 1/64, 1/128, 1/256).
- Supports six independent 16-bit PWM duty control units with maximum six port pins:
 - ◆ Six independent PWM outputs – PWM0, PWM1, PWM2, PWM3, PWM4, and PWM5
 - ◆ Three complementary PWM pairs, with each pin in a pair mutually complement to each other and capable of programmable dead-zone insertion – (PWM0, PWM1), (PWM2, PWM3) and (PWM4, PWM5)
- Supports group function.
- Supports one-shot (only edge alignment mode) or auto-reload mode PWM
- Supports 16-bit resolution PWM counter
- Supports Edge-aligned and Center-aligned mode
- Supports Programmable dead-zone insertion between complementary paired PWMs
- Supports hardware fault brake protections
 - ◆ Two Interrupt types, BRK0 and BRK1:
 - BRK0 forces EPWM in brake state and resumed by software
 - BRK1 force EPWM in brake state and auto-resumed by hardware
 - Brake source:
 - ◆ BRK0: ACMP0, ACMP1, EADC and External pins (PWM_BRK_Px)

- ◆ BRK1: ACMP0, ACMP1, EADC and External pins (PWM_BRK_Px).
- The PWM signals before polarity control stage are defined in the view of positive logic. The PWM ports is active high or active low are controlled by polarity control register.
- Supports independently falling CMPDAT matching, central matching (in Center-aligned mode), rising CMPDAT matching (in Center-aligned mode), period matching to trigger EADC conversion
- Supports ACMP output event trigger PWM to force PWM output at most one period low
- Supports interrupt accumulation function

6.9 Basic PWM Generator (BPWM)

6.9.1 Overview

The NM1230 series has one set of BPWM group supporting one set of PWM generator that can be configured as 2 independent PWM outputs, PWM20~PWM21, or as 1 complementary PWM pairs, (PWM20, PWM21) with programmable Dead-zone generators.

The PWM generator has one 8-bit pre-scalar, one clock divider with 5 divided frequencies (1, 1/2, 1/4, 1/8, 1/16), two PWM Timers including two clock selectors, two 16-bit PWM up/down-counters for PWM period control, two 16-bit comparators for PWM duty control and one dead-zone generator. The PWM generator provides two independent PWM interrupt flags which are set by hardware when the corresponding PWM period down counter reaches zero. Each PWM interrupt source with its corresponding enable bit can cause CPU to request PWM interrupt. The PWM generators can be configured as one-shot mode to produce only one PWM cycle signal or auto-reload mode to output PWM waveform continuously.

When DTCNT01(BPWM_CTL[4]) is set, PWM20 and PWM21 perform complementary; the paired PWM timing, period, duty and dead-time are determined by PWM0 timer and Dead-zone generator 0. Refer to [錯誤! 找不到參照來源。](#) for the architecture of Basic PWM Timers.

To prevent PWM driving output pin from glitches, the 16-bit period down counter and 16-bit comparator are implemented with double buffer. When user writes data to counter/comparator buffer registers the updated value will be load into the 16-bit down counter/ comparator at the time down counter reaching zero. The double buffering feature avoids glitch at PWM outputs.

When the 16-bit period down counter reaches zero, the interrupt request is generated. If PWM-timer is set as auto-reload mode, when the down counter reaches zero, it is reloaded with BPWM Counter Register(BPWM_PERIODx, x=0,1) automatically then start decreasing, repeatedly. If the PWM-timer is set as one-shot mode, the down counter will stop and generate one interrupt request when it reaches zero.

The value of PWM counter comparator is used for pulse high width modulation. The counter control logic changes the output to high level when down-counter value matches the value of compare register.

6.9.2 Features

- One PWM generator which supports one 8-bit pre-scalar, one clock divider, two PWM timers (down counter), one dead-zone generator and two PWM outputs.
- Up to 16-bit resolution
- PWM Interrupt request synchronized with PWM period
- One-shot or Auto-reload mode PWM
- Edge-aligned type or Center-aligned type option

6.10 Quadrature Encoder Interface (QEI)

6.10.1 Overview

There is a 32-bit QEI controllers in this device. The Quadrature Encoder Interface (QEI) decodes speed of rotation and motion sensor information. It can be used in any application that uses a quadrature encoder for feedback.

6.10.2 Features

- Two QEI phase inputs, QEI_A and QEI_B; One Index input IDX.
- One QEI control register (QEI_CTL) and one QEI Status Register (QEI_STATUS)
- Four Quadrature encoder pulse counter operation modes:
- Mode0: x4 free-counting mode
- Mode1: x2 free-counting mode
- Mode2: x4 compare-counting mode
- Mode3: x2 compare-counting mode
- Encoder Pulse Width measurement mode

6.11 Watchdog Timer (WDT)

6.11.1 Overview

The Watchdog Timer is used to perform a system reset when system runs into an unknown state. This prevents system from hanging for an infinite period of time. Besides, the Watchdog Timer supports the function to wake-up system from Idle/Power-down mode.

6.11.2 Features

- 18-bit free running up counter for Watchdog Timer time-out interval
- Selectable time-out interval ($2^4 \sim 2^{18}$) WDT_CLK cycle and the time-out interval period is 104 ms ~ 26.3168 s if WDT_CLK = 10 kHz
- System kept in reset state for a period of $(1 / \text{WDT_CLK}) * 63$
- Supports Watchdog Timer time-out wake-up function only if WDT clock source is selected as 10 kHz

6.12 USCI – Universal Serial Control Interface Controller

6.12.1 Overview

The Universal Serial Control Interface (USCI) is a flexible interface module covering several serial communication protocols. The user can configure this controller as UART, SPI, or I²C functional protocol.

Note: For detailed USCI UART, I²C and SPI information, please refer to section 6.13, 6.14, and 6.15.

6.12.2 Features

The controller can be individually configured to match the application needs. The following protocols are supported:

- UART
- SPI
- I²C

6.13 USCI – UART Mode

6.13.1 Overview

The asynchronous serial channel UART covers the reception and the transmission of asynchronous data frames. It performs a serial-to-parallel conversion on data received from the peripheral, and a parallel-to-serial conversion on data transmitted from the controller. The receiver and transmitter being independent, frames can start at different points in time for transmission and reception.

The UART controller also provides the LIN function. There is incoming data to wake up the system.

6.13.2 Features

- Supports one transmit buffer and two receive buffer for data payload
- Supports programmable baud-rate generator
- Supports 9-Bit Data Transfer
- Supports LIN function
- Baud rate detection possible by built-in capture event of baud rate generator
- Supports Wake-up function

6.14 USCI – SPI Mode

6.14.1 Overview

The SPI protocol of USCI controller applies to synchronous serial data communication and allows full duplex transfer. It supports both master and Slave operation mode with the 4-wire bi-direction interface. SPI mode of USCI controller performs a serial-to-parallel conversion on data received from a peripheral device, and a parallel-to-serial conversion on data transmitted to a peripheral device. The SPI mode is selected by FUNMODE (USPI_CTL[2:0]) = 0x1.

The SPI protocol can operate as master or Slave mode by setting the SLAVE (USPI_PROTCTL[0]) to communicate with the off-chip SPI Slave or master device. The application block diagrams in master and Slave mode are shown as Figure 6.14-1 and Figure 6.14-2.

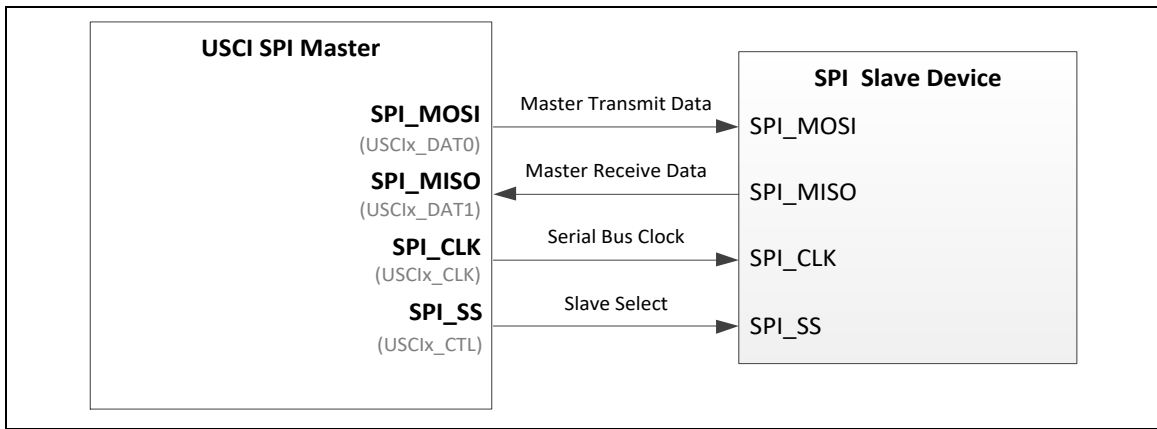


Figure 6.14-1 SPI Master Mode Application Block Diagram (x=0, 1)

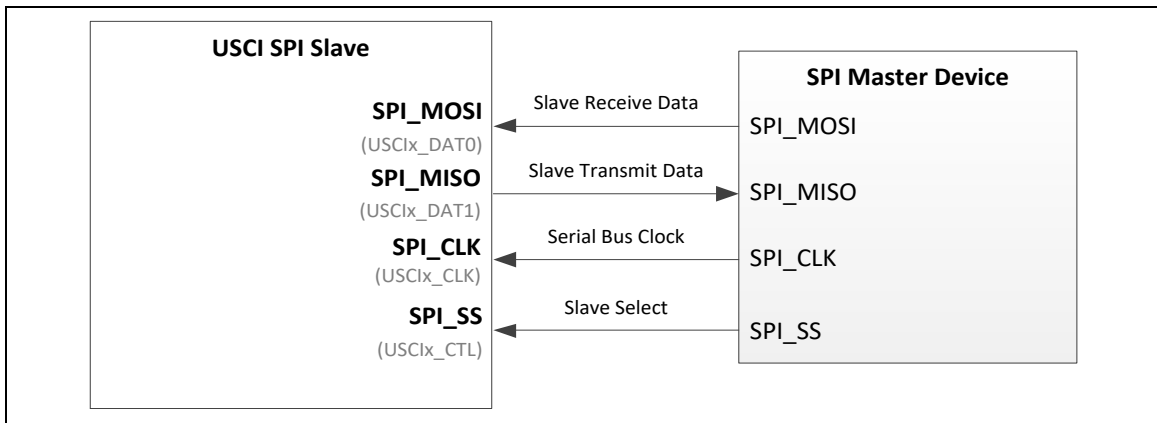


Figure 6.14-2 SPI Slave Mode Application Block Diagram (x=0, 1)

6.14.2 Features

- Supports Master or Slave mode operation (the maximum frequency -- Master = $f_{PCLK}/2$, Slave < $f_{PCLK}/5$)
- Configurable bit length of a transfer word from 4 to 16-bit
- Supports one transmit buffer and two receive buffers for data payload

- Supports MSB first or LSB first transfer sequence
- Supports Word Suspend function
- Supports 3-wire, no slave select signal, bi-direction interface
- Supports wake-up function by slave select signal in Slave mode

6.15 USCI – I²C Mode

6.15.1 Overview

On I²C bus, data is transferred between a Master and a Slave. Data bits transfer on the SCL and SDA lines are synchronously on a byte-by-byte basis. Each data byte is 8-bit. There is one SCL clock pulse for each data bit with the MSB being transmitted first, and an acknowledge bit follows each transferred byte. Each bit is sampled during the high period of SCL; therefore, the SDA line may be changed only during the low period of SCL and must be held stable during the high period of SCL. A transition on the SDA line while SCL is high is interpreted as a command (START or STOP). Please refer to Figure 6.15-1 for more detailed I²C BUS Timing.

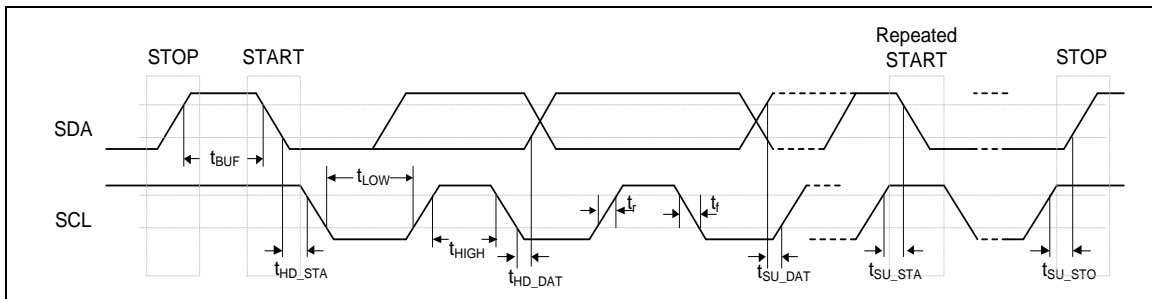


Figure 6.15-1 I²C Bus Timing

The device on-chip I²C provides the serial interface that meets the I²C bus standard mode specification. The I²C port handles byte transfers autonomously. The I²C mode is selected by FUNMODE (UI2C_CTL [2:0]) = 0100B. When this port is enabled, the USCI interfaces to the I²C bus via two pins: SDA and SCL. When I/O pins are used as I²C ports, user must set the pins function to I²C in advance.

Note: A pull-up resistor is needed for I²C operation because the SDA and SCL are set to open-drain pins when USCI is selected to I²C operation mode.

6.15.2 Features

- Full master and slave device capability
- Supports of 7-bit addressing, as well as 10-bit addressing
- Communication in standard mode (100 kBit/s) or in fast mode (up to 400 kBit/s)
- Supports multi-master bus
- Supports one transmit buffer and two receive buffer for data payload
- Supports 10-bit bus time-out capability
- Supports Power down wake-up by data toggle or address match
- Supports setup/hold time programmable

6.16 Hardware Divider (HDIV)

6.16.1 Overview

The hardware divider (HDIV) is useful to the high performance application. The hardware divider is a signed, integer divider with both quotient and remainder outputs.

6.16.2 Features

- Signed (two's complement) integer calculation
- 32-bit dividend with 16-bit divisor calculation capacity
- 32-bit quotient and 32-bit remainder outputs (16-bit remainder with sign extends to 32-bit)
- Support 3 group of dividends, divisor, quotients and remainders for three times of independent calculation capacity
- Divided by zero warning flag
- 6 HCLK clocks taken for one cycle calculation
- Write divisor to trigger calculation
- Waiting for calculation ready automatically when reading quotient and remainder

6.17 Analog to Digital Converter (ADC)

6.17.1 Overview

The NM1230 series contains one 12-bit successive approximation analog-to-digital converter (SAR A/D converter). The A/D converter can be started by software, external pin (STADC/PC.1) or PWM trigger.

6.17.2 Features

- Analog input voltage range: 0~V_{DD}.
- 12-bit resolution and 10-bit accuracy guaranteed.
- Up to 16+16 single-end analog input channels.
- Configurable ADC internal sampling time.

6.18 Analog Comparator (ACMP)

6.18.1 Overview

The NM1230 series contains two comparators which can be used in a number of different configurations. The comparator output is logic 1 when positive input greater than negative input, otherwise the output is 0. Each comparator can be configured to generate interrupt when the comparator output value changes.

6.18.2 Features

- Analog input voltage range: 0 ~ V_{DD}
- Supports Hysteresis function
- Optional internal reference voltage source for each comparator negative input

6.19 OP and Programmable Gain Amplifier (PGA)

6.19.1 Overview

The NM1230 series contains a programmable gain amplifier (PGA) which can be enabled through the PGAEN bit. User can measure the outputs of the programmable gain amplifier as the programmable gain amplifier output to the integrated A/D converter channel, where digital results can be taken. Furthermore, user can adjust gain to 1, 2, 3, 5, 7, 9, 11,13

Note: The analog input port pins must be configured as input type before the PGA function is enabled.

6.19.2 Features

6.19.2.1 PGA Features

- Supports analog input voltage range: 0~ V_{DD} .
- Supports programmable gain: 1, 2, 3, 5, 7, 9, 11,13
- Supports PGA output as input of ADC and ACMP

6.19.2.2 OP Features

- Supports analog input voltage range: 0~ V_{DD} .
- 3 rail-to-rail OP amplifiers

7 ELECTRICAL CHARACTERISTICS

For information on the NM1230 series electrical characteristics, please refer to NuMicro® NM1230 Series Datasheet.

7.1 Absolute Maximum Ratings

Symbol	Parameter	Min	Max	Unit
$V_{DD} - V_{SS}$	DC Power Supply	-0.3	+7.0	V
V_{IN}	Input Voltage	$V_{SS} - 0.3$	$V_{DD} + 0.3$	V
$1/t_{CLCL}$	Oscillator Frequency	4	24	MHz
T_A	Operating Temperature	-40	+105	°C
T_{ST}	Storage Temperature	-55	+150	°C
I_{DD}	Maximum Current into V_{DD}	-	120	mA
I_{SS}	Maximum Current out of V_{SS}	-	120	mA
I_{IO}	Maximum Current sunk by an I/O pin	-	35	mA
	Maximum Current sourced by an I/O pin	-	35	mA
	Maximum Current sunk by total I/O pins	-	100	mA
	Maximum Current sourced by total I/O pins	-	100	mA

Note: Exposure to conditions beyond those listed under absolute maximum ratings may adversely affects the life and reliability of the device.

7.2 DC Electrical Characteristics

($V_{DD} - V_{SS} = 2.2 \sim 5.5 \text{ V}$, $T_A = 25^\circ\text{C}$)

Symbol	Parameter	Min	Typ	Max	Unit	Test Conditions			
V_{DD}	Operation voltage	2.2	-	5.5	V	$V_{DD} = 2.2\text{V} \sim 5.5\text{V}$ up to 48 MHz $V_{DD} = 3.3\text{V} \sim 5.5\text{V}$ up to 72 MHz			
V_{SS}	Power Ground	-0.3	-	-	V				
V_{LDO}	LDO Output Voltage		1.5		V				
V_{BG}	Band-gap Voltage ³	1.17	1.23	1.28	V	$V_{DD} = 3.0\text{V} \sim 5.5\text{V}$, $T_A = -40^\circ\text{C} \sim 105^\circ\text{C}$			
I_{DD}	Operating Current Normal Run Mode	-	14.9	-	mA	V_{DD}	HXT	HIRC	All Digital Modules
						5.5V	X	72 MHz	V
I_{DD}	HCLK = 72 MHz while(1){}	-	10.3	-	mA	5.5V	X	72 MHz	X
I_{DD}	Executed from Flash	-	14.9	-	mA	3V	X	72 MHz	V
I_{DD}		-	10.3	-	mA	3V	X	72 MHz	X
I_{DD}	Operating Current Normal Run Mode	-	10.4	-	mA	V_{DD}	HXT	HIRC	All Digital Modules
						5.5V	X	48 MHz	V
I_{DD}	HCLK = 48 MHz while(1){}	-	7.3	-	mA	5.5V	X	48 MHz	X
I_{DD}	Executed from Flash	-	10.4	-	mA	3V	X	48 MHz	V
I_{DD}		-	7.3	-	mA	3V	X	48 MHz	X
I_{DD}	Operating Current Normal Run Mode	-	5.4	-	mA	V_{DD}	HXT	HIRC	All Digital Modules
						5.5V	24 MHz	X	V
I_{DD}	HCLK = 24 MHz while(1){}	-	4.1	-	mA	5.5V	24 MHz	X	X
I_{DD}	Executed from Flash	-	5.4	-	mA	3V	24 MHz	X	V
I_{DD}		-	4.1	-	mA	3V	24 MHz	X	X
I_{DD}	Operating Current Normal Run Mode	-	3.9	-	mA	V_{DD}	HXT	HIRC	All Digital Modules
						5.5V	16 MHz	X	V
I_{DD}	HCLK = 16 MHz while(1){}	-	3.0	-	mA	5.5V	16 MHz	X	X
I_{DD}	Executed from Flash	-	3.9	-	mA	3V	16 MHz	X	V

I _{DD}		-	3.0	-	mA	3V	16 MHz	X	X
I _{DD}	Operating Current Normal Run Mode	-	3.1	-	mA	V _{DD}	HXT	HIRC	All Digital Modules
						5.5V	12 MHz	X	V
I _{DD}	HCLK = 12 MHz while(1){}	-	2.5	-	mA	5.5V	12 MHz	X	X
I _{DD}	Executed from Flash	-	3.1	-	mA	3V	12 MHz	X	V
I _{DD}		-	2.4	-	mA	3V	12 MHz	X	X
I _{DD}	Operating Current Normal Run Mode	-	1.5	-	mA	V _{DD}	HXT	HIRC	All Digital Modules
						5.5V	4 MHz	X	V
I _{DD}	HCLK = 4 MHz while(1){}	-	1.3	-	mA	5.5V	4 MHz	X	X
I _{DD}	Executed from Flash	-	1.4	-	mA	3V	4 MHz	X	V
I _{DD}		-	1.2	-	mA	3V	4 MHz	X	X
I _{DD}	Operating Current Normal Run Mode	-	154	-	μA	V _{DD}	LXT	LIRC	All Digital Modules
						5.5V	32 KHz	V	V ⁽¹⁾
I _{DD}	HCLK = 32 kHz while(1){}	-	152	-	μA	5.5V	32 KHz	V	X
I _{DD}	Executed from Flash	-	134	-	μA	3V	32 KHz	V	V ⁽¹⁾
I _{DD}		-	132	-	μA	3V	32 KHz	V	X
I _{DD}	Operating Current Normal Run Mode	-	148	-	μA	V _{DD}	HXT	LIRC	All Digital Modules
						5.5V	X	10 KHz	V ⁽²⁾
I _{DD}	HCLK = 10 kHz while(1){}	-	148	-	μA	5.5V	X	10 KHz	X
I _{DD}	Executed from Flash	-	128	-	μA	3V	X	10 KHz	V ⁽²⁾
I _{DD}		-	128	-	μA	3V	X	10 KHz	X
I _{IDLE}	Operating Current Idle Mode	-	8.3	-	mA	V _{DD}	HXT	HIRC	All Digital Modules
						5.5V	X	V	V
I _{IDLE}	HCLK= 72 MHz	-	3.6	-	mA	5.5V	X	V	X
I _{IDLE}		-	8.3	-	mA	3V	X	V	V

I _{IDLE}		-	3.6	-	mA	3V	X	V	X
I _{IDLE}	Operating Current	-	5.7	-	mA	V _{DD}	HXT	HIRC	All Digital Modules
						5.5V	X	V	V
I _{IDLE}	Idle Mode HCLK= 48 MHz	-	2.6	-	mA	5.5V	X	V	X
I _{IDLE}		-	5.7	-	mA	3V	X	V	V
I _{IDLE}		-	2.6	-	mA	3V	X	V	X
I _{IDLE}	Operating Current	-	2.9	-	mA	V _{DD}	HXT	HIRC	All Digital Modules
						5.5V	24 MHz	X	V
I _{IDLE}	Idle Mode HCLK = 24 MHz	-	1.6	-	mA	5.5V	24 MHz	X	X
I _{IDLE}		-	2.9	-	mA	3V	24 MHz	X	V
I _{IDLE}		-	1.6	-	mA	3V	24 MHz	X	X
I _{IDLE}	Operating Current	-	2.2	-	mA	V _{DD}	HXT	HIRC	All Digital Modules
						5.5V	V	X	V
I _{IDLE}	Idle Mode HCLK = 16 MHz	-	1.3	-	mA	5.5V	V	X	X
I _{IDLE}		-	2.1	-	mA	3V	V	X	V
I _{IDLE}		-	1.3	-	mA	3V	V	X	X
I _{IDLE}	Operating Current	-	1.8	-	mA	V _{DD}	HXT	HIRC	All Digital Modules
						5.5V	V	X	V
I _{IDLE}	Idle Mode HCLK = 12 MHz	-	1.1	-	mA	5.5V	V	X	X
I _{IDLE}		-	1.7	-	mA	3V	V	X	V
I _{IDLE}		-	1.1	-	mA	3V	V	X	X
I _{IDLE}	Operating Current	-	1.0	-	mA	V _{DD}	HXT	HIRC	All Digital Modules
						5.5V	V	X	V
I _{IDLE}	Idle Mode HCLK = 4 MHz	-	0.8	-	mA	5.5V	V	X	X
I _{IDLE}		-	1.0	-	mA	3V	V	X	V

I _{IDLE}		-	0.7	-	mA	3V	V	X	X
I _{IDLE}	Operating Current	-	150	-	μA	V _{DD}	HXT	LIRC	All Digital Modules
						5.5V	X	V	V ⁽¹⁾
I _{IDLE}	Idle Mode HCLK = 32 kHz	-	148	-	μA	5.5V	X	V	X
I _{IDLE}		-	129	-	μA	3V	X	V	V ⁽¹⁾
I _{IDLE}						3V	X	V	X
I _{IDLE}	Operating Current	-	147	-	μA	V _{DD}	HXT	LIRC	All Digital Modules
						5.5V	X	V	V ⁽²⁾
I _{IDLE}	Idle Mode HCLK = 10 kHz	-	147	-	μA	5.5V	X	V	X
I _{IDLE}		-	127	-	μA	3V	X	V	V ⁽²⁾
I _{IDLE}						3V	X	V	X
I _{PWD}	Standby Current	-	3.6	-	μA	V _{DD} = 5.5 V, All oscillators and analog blocks turned off.			
I _{PWD}	Power-down Mode (Deep Sleep Mode)	-	2.4	-	μA	V _{DD} = 3 V, All oscillators and analog blocks turned off.			
I _{LK}	Input Leakage Current	-1	-	+1	μA	V _{DD} = 5.5 V, 0 < V _{IN} < V _{DD} Open-drain or input only mode			
V _{IL1}	Input Low Voltage (TTL Input)	-0.3	1.33		V	V _{DD} = 5.5 V			
		-0.3	1			V _{DD} = 3.3 V			
V _{IH1}	Input High Voltage (TTL Input)		1.47	V _{DD} + 0.3	V	V _{DD} = 5.5 V			
			1.08	V _{DD} + 0.3		V _{DD} = 3.3 V			
V _{ILS}	Negative-going Threshold (Schmitt Input), nRESET	-	-	0.3V _{DD}	V	-			
V _{IHS}	Positive-going Threshold (Schmitt Input), nRESET	0.7V _{DD}	-	-	V	-			
R _{UP} ^[3]	Internal Pull-up Resistor (PA/PB/PC/PD/PE/PF)		51		kΩ	V _{DD} = 5.0V			
R _{LOW} ^[3]	Internal Pull-low Resistor (PA/PB/PC/PD/PE/PF)		51		kΩ	V _{DD} = 5.0V			
R _{RST}	Internal nRESET Pin Pull-up Resistor	48		148	kΩ	V _{DD} = 2.2 V ~ 5.5V			
V _{ILS}	Negative-going Threshold (Schmitt input)	-	-	0.3V _{DD}	V	-			
V _{IHS}	Positive-going Threshold (Schmitt input)	0.7V _{DD}	-	-	V	-			

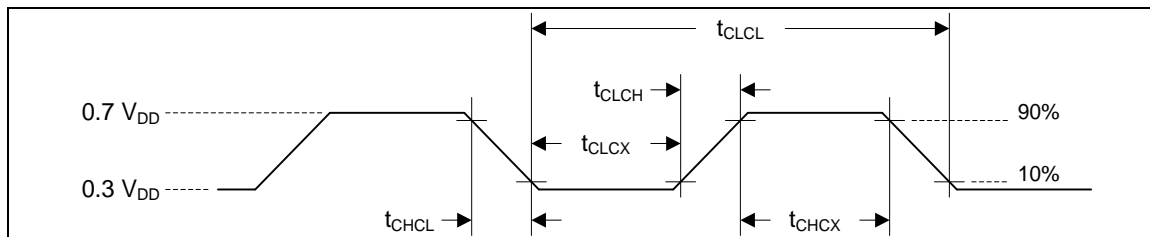
I_{IL}	Logic 0 Input Current (Quasi-bidirectional Mode)	-	-63.65		μA	$V_{DD} = 5.5 V, V_{IN} = 0V$
I_{TL}	Logic 1 to 0 Transition Current	-	-566.7	-	μA	$V_{DD} = 5.5 V$
I_{SR}	Source Current (Quasi-bidirectional Mode)	-	-372	-	μA	$V_{DD} = 4.5 V, V_{IN} = 2.4 V$
I_{SR}		-	-76.8	-	μA	$V_{DD} = 2.7 V, V_{IN} = 2.2 V$
I_{SR}		-	-37.3	-	μA	$V_{DD} = 2.2 V, V_{IN} = 1.8 V$
I_{SR}	Source Current (Push-pull Mode)	-	-19.2	-	mA	$V_{DD} = 4.5 V, V_{IN} = 2.4 V$
I_{SR}		-	-4	-	mA	$V_{DD} = 2.7 V, V_{IN} = 2.2 V$
I_{SR}		-	-2	-	mA	$V_{DD} = 2.2 V, V_{IN} = 1.8 V$
I_{SK}	Sink Current PA/PB/PC/PD (Quasi-bidirectional, Open-Drain and Push-pull Mode)	-	12.8	-	mA	$V_{DD} = 4.5 V, V_{IN} = 0.4 V$
I_{SK}		-	8.1	-	mA	$V_{DD} = 2.7 V, V_{IN} = 0.4 V$
I_{SK13}		-	6	-	mA	$V_{DD} = 2.2 V, V_{IN} = 0.4 V$

Notes:

1. Only enable modules, which support 32 kHz LIRC clock source
2. Only enable modules, which support 10 kHz LIRC clock source
3. Guaranteed by design, not test in production.

7.3 AC Electrical Characteristics

7.3.1 External Input Clock



Note: Duty cycle is 50%.

Symbol	Parameter	Min	Typ	Max	Unit	Test Conditions
t _{CHCX}	Clock High Time	10	-	-	ns	-
t _{CLCX}	Clock Low Time	10	-	-	ns	-
t _{CLCH}	Clock Rise Time	2	-	15	ns	-
t _{CHCL}	Clock Fall Time	2	-	15	ns	-

7.3.2 External 4~24 MHz High Speed Crystal (HXT)

Symbol	Parameter	Min.	Typ.	Max	Unit	Test Conditions
V _{HXT}	Operation Voltage	2.2	-	5.5	V	-
T _A	Temperature	-40	-	105	°C	-
I _{HXT}	Operating Current	-	414	-	uA	12 MHz, V _{DD} = 5.5V
f _{HXT}	Clock Frequency	4	-	24	MHz	-

7.3.3 Typical Crystal Application Circuits

Crystal	C1	C2
4 MHz ~ 24 MHz	8~12 pF	8~12 pF

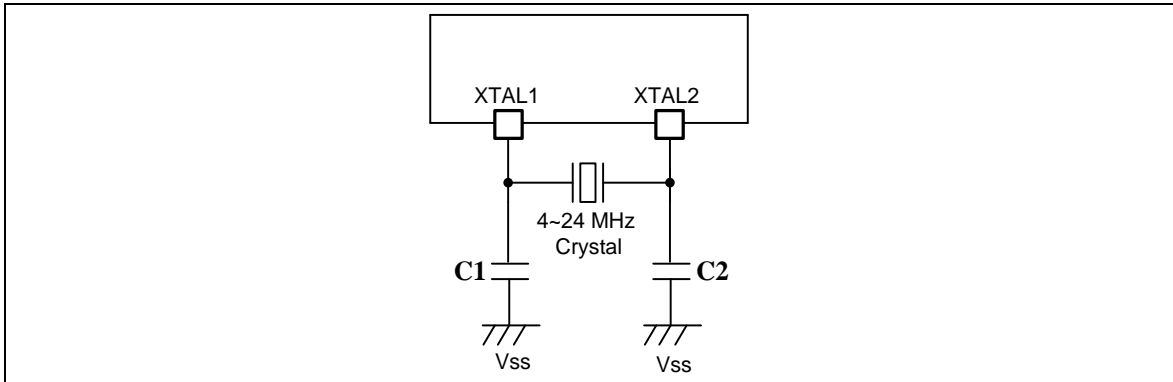


Figure 7.3-1 Typical Crystal Application Circuit

7.3.4 48/72 MHz Internal High Speed RC Oscillator (HIRC)

Symbol	Parameter	Min	Typ	Max	Unit	Test Conditions
V_{HRC}	Supply Voltage	-	1.5	-	V	-
f_{HRC72}	Center Frequency	-	72	-	MHz	-
	Calibrated Internal Oscillator Frequency	-1.5	-	+1.5	%	$T_A = 25^\circ\text{C}$ $V_{DD} = 4.5\text{ V} \sim 5.5\text{ V}$
2.5%		-	-	-	%	$T_A = -40^\circ\text{C} \sim 105^\circ\text{C}$ $V_{DD} = 3.0\text{ V} \sim 5.5\text{ V}$
I_{HRC72}	Operating Current	-	300	-	μA	$T_A = 25^\circ\text{C}, V_{DD} = 5\text{ V}$
f_{HRC48}	Center Frequency	-	48	-	MHz	-
	Calibrated Internal Oscillator Frequency	-1	-	+1	%	$T_A = 25^\circ\text{C}$ $V_{DD} = 5.5\text{ V}$
2%		-	-	-	%	$T_A = -40^\circ\text{C} \sim 105^\circ\text{C}$ $V_{DD} = 2.5\text{ V} \sim 5.5\text{ V}$
I_{HRC48}	Operating Current	-	280	-	μA	$T_A = 25^\circ\text{C}, V_{DD} = 5\text{ V}$

7.3.5 10 kHz Internal Low Speed RC Oscillator (LIRC)

Symbol	Parameter	Min	Typ	Max	Unit	Test Conditions
V_{LRC}	Supply Voltage	-	1.5V	-	V	-
f_{LRC}	Center Frequency	-	10	-	kHz	-

	Oscillator Frequency	-20 ^[1]	-	+20 ^[1]	%	V _{DD} = 2.2 V ~ 5.5 V T _A = -40°C ~ +105°C
I _{LRC}	Operating Current	-	0.4	-	μA	T _A = 25 °C, V _{DD} = 5 V

Note1: These parameters are characterized but not tested.

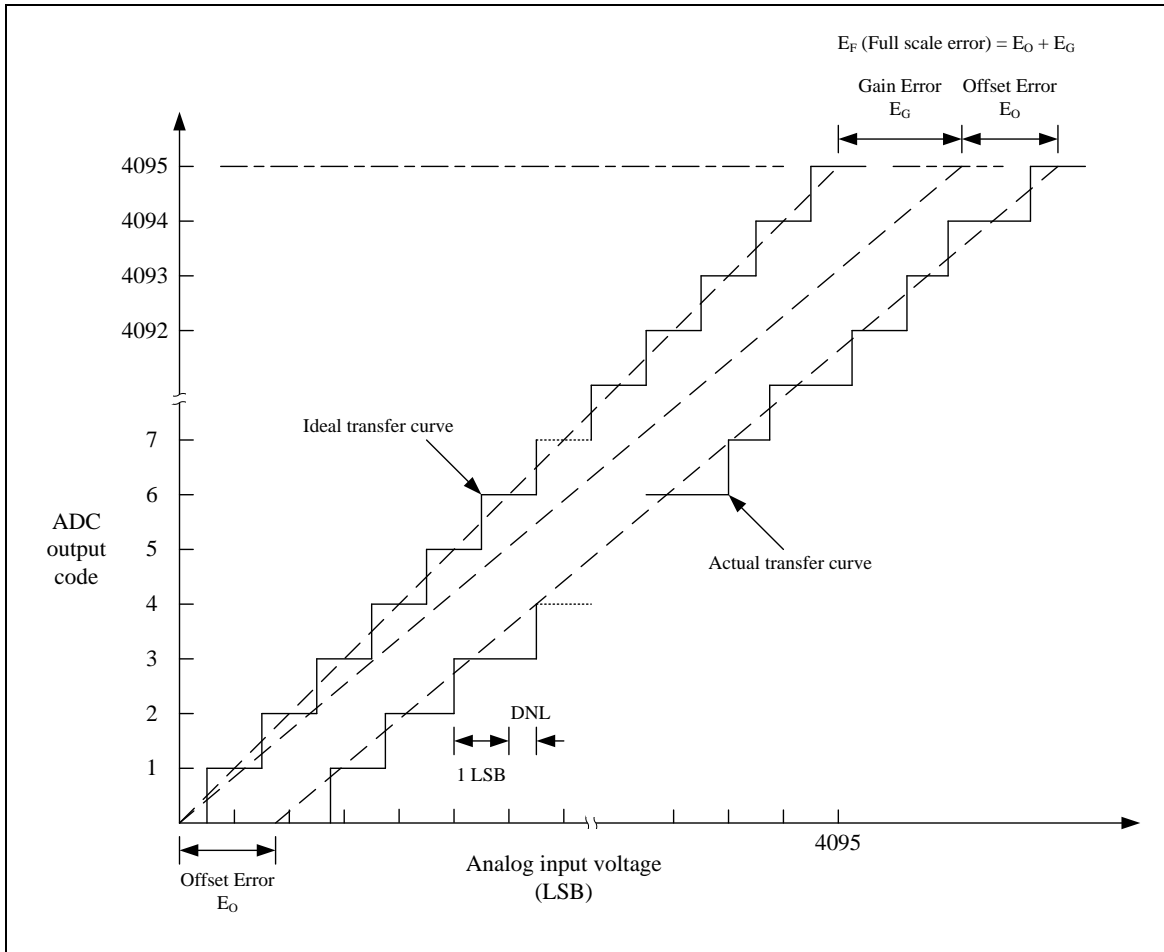
7.4 Analog Characteristics

7.4.1 12-bit SAR ADC

($V_{DD} - V_{SS} = 2.2 \sim 5.5 \text{ V}$, $T_A = -40 \sim 105^\circ\text{C}$)

Symbol	Parameter	Min	Typ	Max	Unit	Test Condition
-	Resolution	-	-	12	Bit	-
DNL	Differential Nonlinearity Error	-	2	-	LSB	$V_{DD} = 3.0 \sim 5.5 \text{ V}$
INL	Integral Nonlinearity Error	-	± 2	-	LSB	$V_{DD} = 3.0 \sim 5.5 \text{ V}$
E_O	Offset Error	-	± 1	-	LSB	$V_{DD} = 3.0 \sim 5.5 \text{ V}$
E_G	Gain Error (Transfer Gain)	-	-1	-	LSB	$V_{DD} = 3.0 \sim 5.5 \text{ V}$
E_A	Absolute Error	-	± 3	-	LSB	$V_{DD} = 3.0 \sim 5.5 \text{ V}$
-	Monotonic	Guaranteed			-	-
T_{ACQ}	Acquisition Time (Sample Stage)	N+1			$1/F_{ADC}$	$V_{DD} = 3.0 \sim 5.5 \text{ V}$ N is sampling counter, N=1~1024
		200			ns	$V_{DD} = 3.0 \sim 5.5 \text{ V}$
T_{CONV}	Conversion Time ³		1000	1250	ns	$V_{DD} = 3.0 \sim 5.5 \text{ V}$
I_{DDA}	Supply Current (Avg.)	-	1	-	mA	$V_{DD} = 5.5 \text{ V}$
V_{IN}	Analog Input Voltage	0	-	V_{DD}	V	-
C_{IN}	Input Capacitance ²	-	1.6	-	pF	-

1. ADC voltage reference is same with V_{DD} .
2. It's for sample and hold. The maximum value depends on process variation. Basically, the variation of C_{IN} is less than about 10% of typical value.
3. Guaranteed by design, not test in production. The conversion time is upto auto-completion of analog comparison in ADC IP and the typical value is about 1000ns at $V_{DD} = 5V$.



7.4.2 LDO & Power Management

($V_{DD} - V_{SS} = 2.2 \sim 5.5 \text{ V}$, $T_A = -40 \sim 105^\circ\text{C}$)

Symbol	Parameter	Min	Typ	Max	Unit	Test Condition
V_{LDO}	Output Voltage	1.35	1.5	1.65	V	-

Notes:

It is recommended a 0.1 μF bypass capacitor is connected between V_{DD} and the closest V_{SS} pin of the device.

7.4.3 Brown-out Detector

($V_{DD} - V_{SS} = 0 \sim 5.5 \text{ V}$, $T_A = -40 \sim 105^\circ\text{C}$)

Symbol	Parameter	Min	Typ	Max	Unit	Test Condition
I_{BOD}	Quiescent Current	-	40	-	μA	$V_{DD} = 5.5\text{V}$
V_{BOH}	Brown-out Hysteresis	30	100	150	mV	
V_{BOD}	Brown-out Detector	4.15	4.3	4.45	V	BOV_VL [2:0] = 7
		3.85	4.0	4.15	V	BOV_VL [2:0] = 6
		3.55	3.7	3.85	V	BOV_VL [2:0] = 5
		2.85	3.0	3.15	V	BOV_VL [2:0] = 4
		2.55	2.7	2.85	V	BOV_VL [2:0] = 3
		2.3	2.4	2.5	V	BOV_VL [2:0] = 2
		2.1	2.2	2.3	V	BOV_VL [2:0] = 1
		1.9	2.0	2.1	V	BOV_VL [2:0] = 0

7.4.4 Power-on Reset

($V_{DD} - V_{SS} = 0 \sim 5.5 \text{ V}$, $T_A = -40 \sim 105^\circ\text{C}$)

Symbol	Parameter	Min	Typ	Max	Unit	Test Condition
V_{POR}	Threshold Voltage	1.60	1.75	1.90	V	-

7.4.5 LVR Reset

($V_{DD} - V_{SS} = 0 \sim 5.5 \text{ V}$, $T_A = -40 \sim 105^\circ\text{C}$)

Symbol	Parameter	Min	Typ	Max	Unit	Test Condition
V_{LVR}	Threshold Voltage	1.7	1.9	2.1	V	-

7.4.6 Comparator

($V_{DD} - V_{SS} = 2.2 \sim 5.5 \text{ V}$, $T_A = -40 \sim 105^\circ\text{C}$)

Symbol	Parameter	Min	Typ	Max	Unit	Test Condition
I_{CMP}	Operation Current	-	48		μA	$V_{DD}=5.5\text{V}$
V_{OFF}	Input Offset Voltage		± 10		mV	-
V_{SW}	Output Swing	0	-	V_{DD}	V	-
V_{COM}	Input Common Mode Range	0.1	-	$V_{DD} - 0.1$	V	-
-	DC Gain ^[1]	-	60	-	dB	-
T_{PGD}	Propagation Delay	-	200	-	ns	
V_{HYS}	Hysteresis	10	20	30	mV	ACMPHYSEN = 01
V_{HYS}	Hysteresis	60	90	120	mV	ACMPHYSEN = 10
V_{HYS}	Hysteresis	95	150	200	mV	ACMPHYSEN = 11
T_{STB}	Stable time	-	1.06	-	μs	

Notes:

Guaranteed by design, not test in production.

7.4.7 PGA

($V_{DD} - V_{SS} = 2.2 \sim 5.5 \text{ V}$, $T_A = -40 \sim 105^\circ\text{C}$)

Parameter	Min	Typ	Max	Unit	Test Condition
Operating Current			5	mA	$V_{DD}5\text{V}=5\text{V}$, $T=125^\circ\text{C}$
Input Offset			+2	mV	$V_{CM}=V_{DD}/2$, $T=25^\circ\text{C}$
Input Offset Average Drift			3.5	$\mu\text{V}/^\circ\text{C}$	
Output Swing	0.1		$V_{DD}5\text{V} - 0.1$	V	
PGA gain accuracy	-1		+1	%	
Input Common Mode Range	0		$V_{DD}5\text{V} - 1.5$	V	
DC Gain	50	80		dB	
Unity Gain Frequency	6	7	8.2	MHz	$V_{DD} = 5\text{V}$
Phase Margin	50°			$^\circ$	
PSRR+	49	90		dB	$V_{DD} = 5\text{V}$
CMRR	69	90		dB	$V_{DD} = 5\text{V}$
Slew Rate+	6.0	-	-	V/us	$V_{DD}=5\text{V}$, $R_{load}=33\text{K}$, $C_{load}=50\text{p}$
Wake Up Time			20	μs	

Maximum output voltage swing from rail		40		mV	$V_{DD}=5.5, RL=50K$
		200		mV	$V_{DD}=5.5, RL=10K$

Notes:

Guaranteed by design, not test in production.

7.4.8 OP Amplifier

($V_{DD} - V_{SS} = 2.2 \sim 5.5 V, T_A = -40 \sim 105^\circ C$)

Parameter	Min	Typ	Max	Unit	Test Condition
Input offset voltage	-	2	5	mV	
Input offset average drift	-	-	1	$\mu V/^\circ C$	
Output swing	0.1	-	$V_{DD}-0.1$	V	
Input common mode range	0.1	-	$V_{DD}-0.1$	V	
DC gain	-	80	-	dB	
Phase margin	-	50°	-	$^\circ$	
PSRR+	-	90	-	dB	$V_{DD}=5V$
CMRR	-	90	-	dB	$V_{DD}=5V$
Slew rate	6.0	-	-	V/us	$V_{DD}=5V, R_{LOAD}=33K, C_{LOAD}=50p$
Wake up time	-	-	1	us	
Quiescent current	-	0.7	1.4	mA	
Maximum output voltage swing from rail		20		mV	$V_{DD}=5.5, RL=10K$
		100		mV	$V_{DD}=5.5, RL=2K$

7.4.9 Temperature Sensor

($V_{DD} - V_{SS} = 2.2 \sim 5.5 V, T_A = -40 \sim 105^\circ C$)

Symbol	Parameter	Min	Typ	Max	Unit	Test Condition
TA	Temperature	-40	-	105	$^\circ C$	
-	Gain ¹ ,	-	-1.81	-	$mV/^\circ C$	
-	Offset ^{1,2}	-	715	-	mV	$T_A = 0^\circ C$

Note:

- The temperature sensor formula for the output voltage (V_{temp}) is list as below equation.

$$V_{temp} (mV) = \text{Gain} (mV/^\circ C) \times \text{Temperature} (^\circ C) + \text{Offset} (mV)$$
- The Gain and Offset may have some drift for different chips. Register SYS_TSOFFSET is a reference data measured by ADC in factory test.

7.4.10 ESD Characteristics

Symbol	Ratings	Condition	Package	Maximum Value	Unit
V _{ESD}	Electrostatic discharge (Human body mode)	TA = + 25 °C	LQFP 48	6000	V
	Electrostatic discharge (Charged Device mode)			500	V

7.4.11 EFT Characteristics

Symbol	Condition	Package	Pass Level	Unit
	F _{sys}			
	HIRC	LQFP 48	+/- 4000	V

7.5 Flash DC Electrical Characteristics

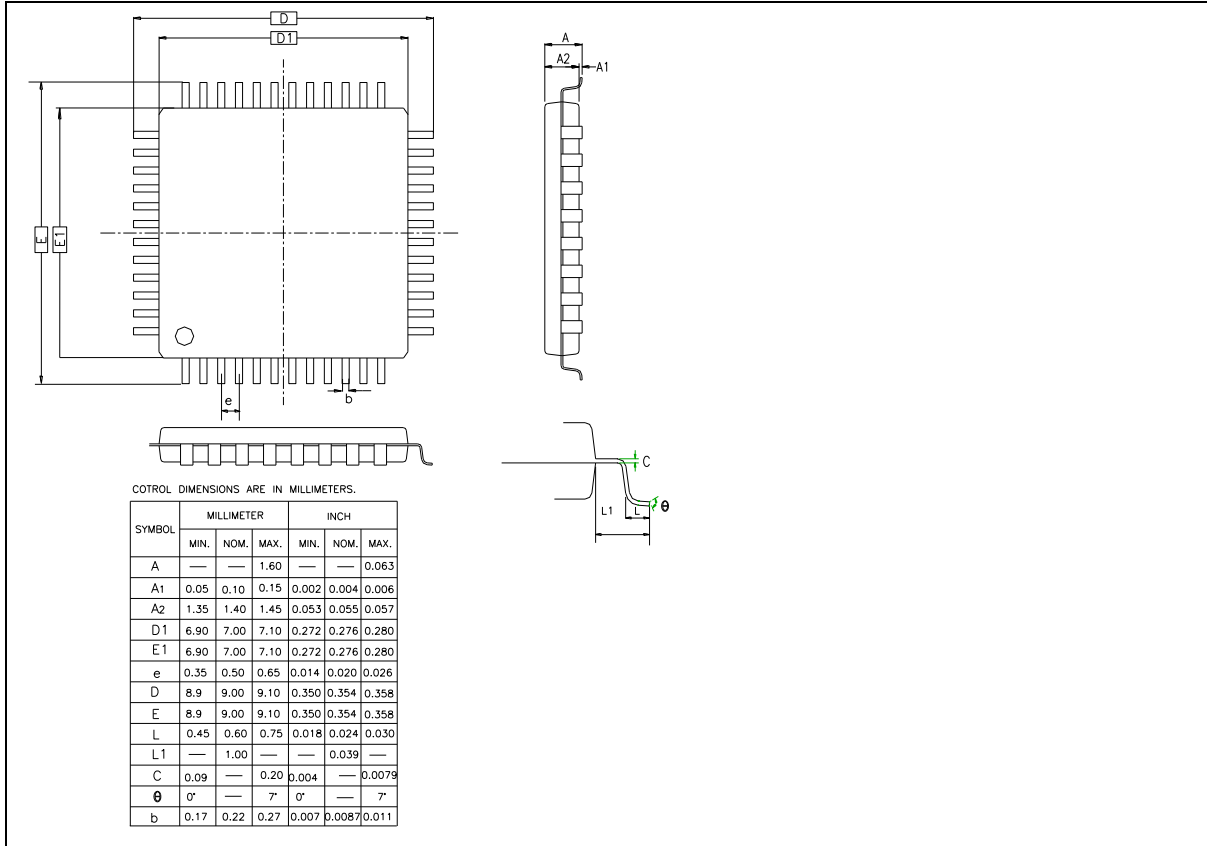
Symbol	Parameter	Min	Typ	Max	Unit	Test Condition
V _{FLA} ^[2]	Supply Voltage	1.35	1.5	1.65	V	
N _{ENDUR}	Endurance	20,000	-	-	cycles ^[1]	
T _{RET}	Data Retention	10	-	-	year	T _A =85°C
T _{ERASE}	Sector Erase Time	-		5	ms	
T _{PROG}	Program Time	-	5	6.5	us	Per Byte
I _{DD1}	Read Current	-	4	5.5	mA	@50MHz
I _{DD2}	Program Current	-	-	3.5	mA	
I _{DD3}	Erase Current	-	-	2	mA	

Notes:

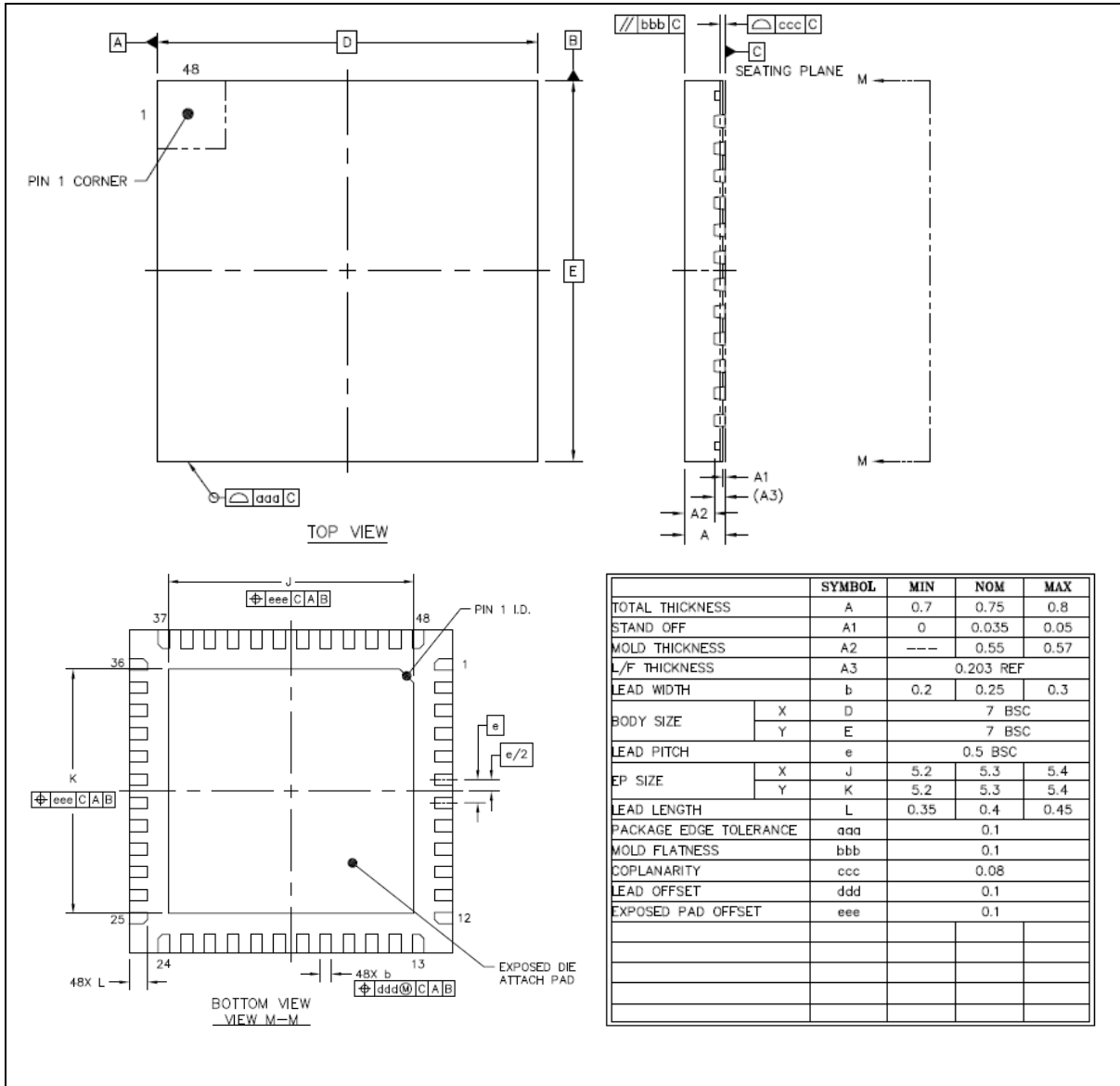
1. Number of program/erase cycles.
2. V_{FLA} is source from chip LDO output voltage.
Guaranteed by design, not test in production.

8 PACKAGE DIMENSIONS

8.1 48-Pin LQFP 7x7mm



8.2 48-Pin QFN 7x7mm



9 REVISION HISTORY

Date	Revision	Description
2020.06.16	0.1	Preliminary version.
2020.09.28	0.1	Add an explanation for BOD and Power-down mode: Note for BOD vs Power-down
2020.12.08	0.1	Remove some parts including NM1233D, NM1233Y, NM1232D and NM1232Y.
2021.10.01	0.1	1. Update the ESD and EFT characteristics
2022.11.08	0.1	1. Add compliance statement of International Environmental Regulations.

Important Notice

Nuvoton Products are neither intended nor warranted for usage in systems or equipment, any malfunction or failure of which may cause loss of human life, bodily injury or severe property damage. Such applications are deemed, “Insecure Usage”.

Insecure usage includes, but is not limited to: equipment for surgical implementation, atomic energy control instruments, airplane or spaceship instruments, the control or operation of dynamic, brake or safety systems designed for vehicular use, traffic signal instruments, all types of safety devices, and other applications intended to support or sustain life.

All Insecure Usage shall be made at customer’s risk, and in the event that third parties lay claims to Nuvoton as a result of customer’s Insecure Usage, customer shall indemnify the damages and liabilities thus incurred by Nuvoton.

*Please note that all data and specifications are subject to change without notice.
All the trademarks of products and companies mentioned in this datasheet belong to their respective owners.*