

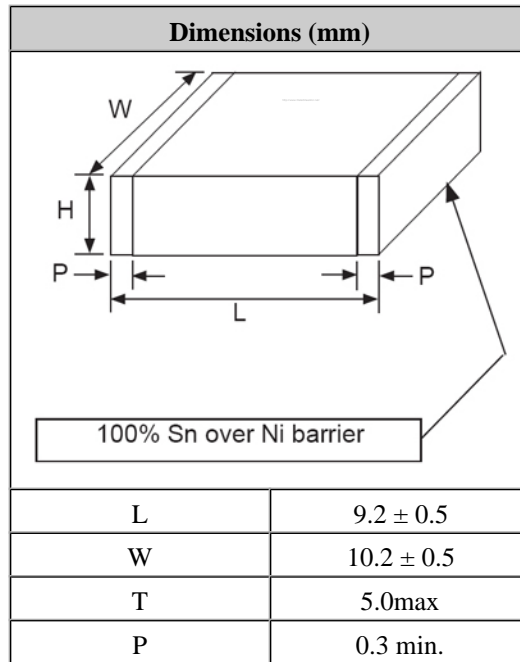


**NIC Components Corp.**

www.NICcomp.com | Technical Support: tpmg@niccomp.com

**Individual Specification - NMC-W3640X7R683K2KVTF**

Product Specifications	
Part Number	NMC-W3640X7R683K2KVTF
Product Series	NMC-W
Series Description	Large Size MLCC
Dielectric	X7R
Dielectric Tolerance	±15%
Temperature Range	-55°C ~ 125°C
Capacitance	0.068µF ± 10%
Voltage	2000Vdc
IR	7.353M? min.
Dissipation Factor	2.5% Max.
Dielectric Withstanding Voltage	120% of Rated Voltage for 5 ±1 seconds, 50mA maximum current



Created 31/05/13 8:17:50 pm

Copyright © 2013, NIC Components Corp. All Rights Reserved.

Reproduction in whole, or in part, without the written permission of the copyright holder is prohibited. All information contained within this page is believed to be accurate and reliable, and is presented without guarantee, warranty, or responsibility of any kind, expressed or implied. Please review product specifications and guidelines on NIC web site prior to ordering.

For additional information please contact NIC TPMG, tpmg@niccomp.com