

NP16AT THRU NP16MT

16 AMPERE SILICON RECTIFIER

GENERAL
INSTRUMENT



FEATURES

- Plastic package has Underwriters Laboratory Flammability Classification 94V-0.
- Exceeds environmental standards of MIL-STD-19500.
- High current capability
- High surge capacity
- Low forward voltage

MECHANICAL DATA

Case: TO-220 molded plastic

Terminals: Lead solderable per MIL-STD-202, Method 208

Polarity: As marked

Mounting position: Any

Weight: .08 ounces, 2.24 grams

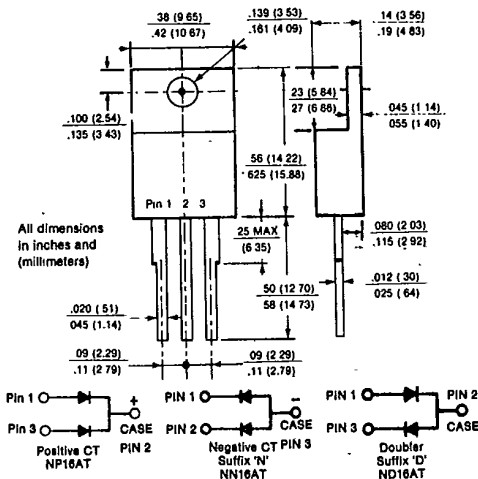
VOLTAGE RANGE

50 to 1000 Volts

CURRENT

16.0 Amperes

TO-220



MAXIMUM RATINGS AND ELECTRICAL CHARACTERISTICS

Ratings at 25° ambient temperature unless otherwise specified.
Single phase, half wave, 60Hz, resistive or inductive load.
For capacitive load, derate current by 20%.

	NP16AT	NP16BT	NP16DT	NP16GT	NP16JT	NP16KT	NP16MT	UNITS	
Maximum Recurrent Peak Reverse Voltage	50	100	200	400	600	800	1000	V	
Maximum RMS Voltage	35	70	140	280	420	560	700	V	
Maximum DC Blocking Voltage	50	100	200	400	600	800	1000	V	
Maximum Average Forward Rectified Current at Tc = 100°C								16.0	A
Peak Forward Surge Current, 8.3ms single half sine-wave superimposed on rated load (JEDEC method)								300	A
Maximum Instantaneous Forward Voltage at 8A								1.1	V
Maximum Reverse Current at Rated DC Blocking Reverse Voltage Tc = 25°C Per Element Tc = 100°C								10 100	μA μA
Typical Thermal Resistance RθJC (Note 1)								3.0	°C/W
Typical Junction Capacitance (Note 2)								55	pF
Storage and Operating Temperature Range Tc, Tstg								-65 to +150	°C

NOTES:

1. Thermal resistance for each junction to case
2. Measured at 1 MHz and applied reverse voltage of 4.0 volts

**RATING CHARACTERISTIC CURVES
NP16AT THRU NP16MT**

