

## Press Fit Stud Mount Triac ½", 15 Amps

**Features**

- Improved glass passivation for high reliability
- Exceptional stability at high temperatures
- Metric thread type available
- Low thermal resistance



TO-48/F

Electrical Characteristics ( $T_A = 25^\circ\text{C}$ unless otherwise specified)				
Parameter		Symbol	Part Numbers	Units
Maximum repetitive peak reverse voltage (1), $V_{RRM}$		200	NPTS152	V
		400	NPTS154	
		600	NPTS156	
RMS on-state current		$I_{T(RMS)}$	15	A
Non-repetitive peak surge on-state current, one cycle		$I_{TSM}$	150	A
Peak gate trigger current		$I_{GTM}$	4	A
Peak gate power dissipation @ $I_{GT} \leq I_{GTM}$		$P_{GM}$	40	W
Average gate power dissipation		$P_{G(AV)}$	0.8	W
Peak off-state current (1)		$I_{DRM}$ & $I_{RRM}$	1.0	mA
Maximum instantaneous forward voltage drop (1)		$V_{TM}$	2.2	V
DC holding current (1)		$I_H$	60	mA
Critical rate-of-rise of off-state voltage (1)		Critical dv/dt	100	V/ $\mu\text{sec}$
Critical rate-of-rise of commutation voltage (1)		Commutating dv/dt	3	V/ $\mu\text{sec}$
DC gate trigger current	( $T_2+$ Gate +, $T_2-$ Gate -) Quads I and III	$I_{GT}$	100	mA
	( $T_2+$ Gate -, $T_2-$ Gate +) Quads II and IV		150	
DC gate trigger voltage		$V_{GT}$	2.5	V
Gate controlled turn-on time		Tgt	3	$\mu\text{sec}$

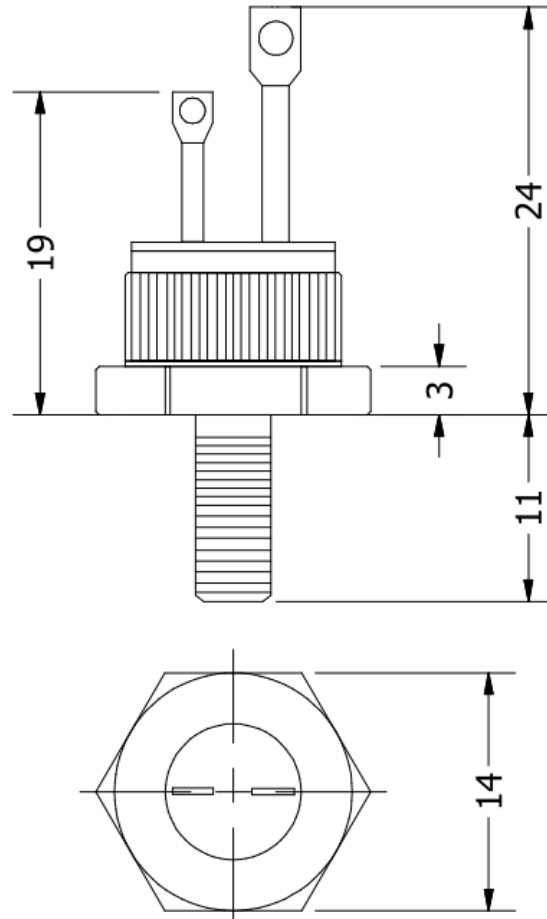
Thermal and Mechanical Specifications ( $T_A = 25^\circ\text{C}$ , unless otherwise noted)			
Parameters	Symbol	Values	Units
Maximum operating junction temperature range	$T_J$	- 40 to +110	$^\circ\text{C}$
Maximum storage temperature range	$T_{stg}$	- 40 to +150	$^\circ\text{C}$
Maximum thermal resistance, junction to case	$R_{\theta(j-c)}$	1.8	$^\circ\text{C/W}$
Approximate weight	W	20	g

Notes:

(1) All values apply in either direction

## Package Outline

(All dimensions in mm)



## Ordering Table

NPTS	15	2,4,6
1	2	3

- 1 – Press Fit Stud Mount Triac
- 2 – Current,  $I_{T(RMS)}$
- 3 – Voltage,  $V_{RRM}$  (See table)