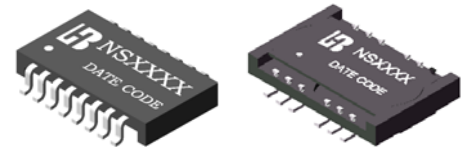


10/100 BASE PULSE TRANSFORMER FOR PCMCIA

www.DataSheet4U.com

- Half port and single port designs for maximum layout flexibility
- Low profile packages from 0.09 Inch(2.39MM) TO 0.078 Inch (1.98) FOR PCCARD AND CARDBUS applications
- Compatible WITH INTEL,TDK,QDI,AND ICS Transceivers
- Operating temperature range: 0°C to +70°C.
- Storage temperature range: -25°C to +125°C.



Electrical Specifications @ 25°C

Part Number	Turn ratio (±3%)		Insertion loss (dB Max) 0.3-100 MHz	Return loss (dB Min)				Cross talk (dB Min) 0.3-100 MHz
	RX	TX		0.5-30MHz	40MHz	50MHz	60-80 MHz	
NS0013	1CT:1CT	1CT:1CT	-1.1	-18	-15.5	-13.5	-10	-38
NS0013A	1CT:1CT	1CT:1CT	-1.1	-18	-15.5	-13.5	-10	-38
NS0013B	1CT:1CT	1CT:1CT	-1.1	-18	-15.5	-13.5	-10	-38
NS0013BX	1CT:1CT	1CT:1CT	-1.1	-18	-15.5	-13.5	-10	-38
NS0013C	1CT:1CT	1CT:1CT	-1.1	-18	-15.5	-13.5	-10	-38
NS0013X	1CT:1CT	1CT:1CT	-1.1	-18	-15.5	-13.5	-10	-38
NS0068	1CT:1CT	1CT:1CT	-1.0	-	-	-	-	-
NS0068A	1CT:1CT	1CT:1CT	-1.0	-	-	-	-	-
NS0068B	1CT:1CT	1CT:1CT	-1.0	-	-	-	-	-
NS0068C	1CT:1CT	1CT:1CT	-1.0	-	-	-	-	-
NS0068D	1CT:1CT	1CT:1CT	-1.0	-	-	-	-	-

Continue

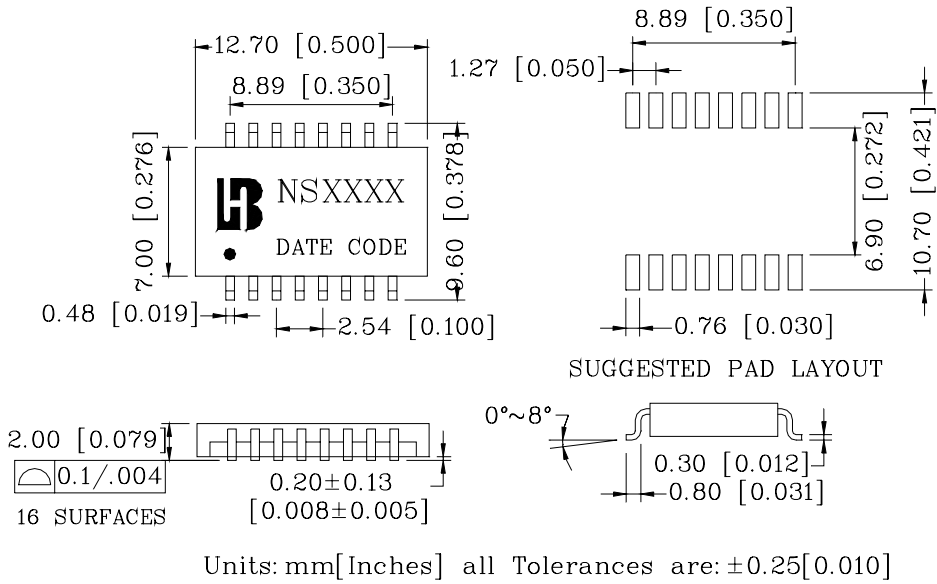
Part Number	OCL(Uh Min) @ 100KHz/0.1V with 8.0Ma DC	HI-POT (Vrms)	Cw/w (pF Max)	Mech	DCMR(Db Min)	
					0.3-60 MHz	0.3-100 MHz
NS0013	350	1500	15	NS-A	-33	-26
NS0013A	440	1500	15	NS-A	-33	-26
NS0013B	350	1500	15	NS-A	-33	-26
NS0013BX	350	1500	50	NS-A	-33	-26
NS0013C	350	1500	15	NS-A	-33	-26
NS0013X	350	1500	30	NS-A	-33	-26
NS0068	350	1500	25	NS-B	-	-
NS0068B	350	1500	25	NS-B	-	-
NS0068C	350	1500	25	NS-B	-	-
NS0068D	350	1500	25	NS-B	-	-

For customized parts or more detailed information, please log on www.bothhand.com.tw or write to sales@bothhand.com.tw.

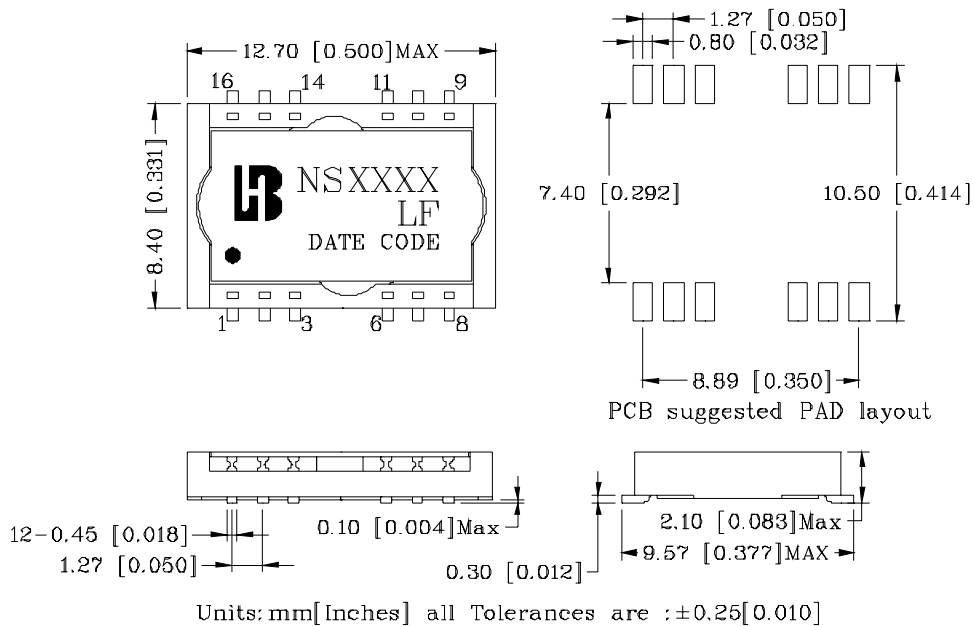
www.DataSheet4U.com

Mechanicals

NS-A



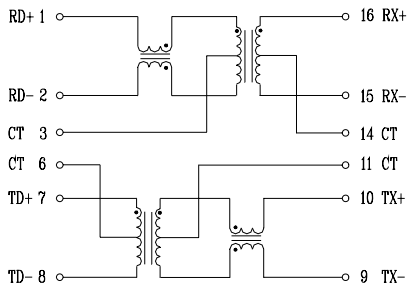
NS-B



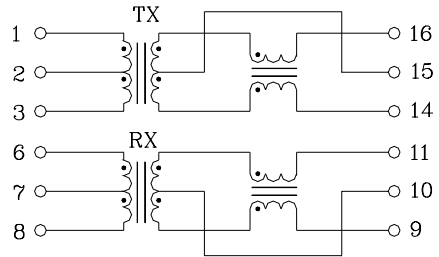
Specification	Packing Manner	Q'ty per Tube/Reel	Q'ty/ Inner box	Q'ty/ Carton
NS-A	TUBE	39	6240	24960
	REEL	1400	1400	7000
NS-B	TUBE	39	6240	24960
	REEL	1500	1500	7500

www.DataSheet4U.com
Schematics

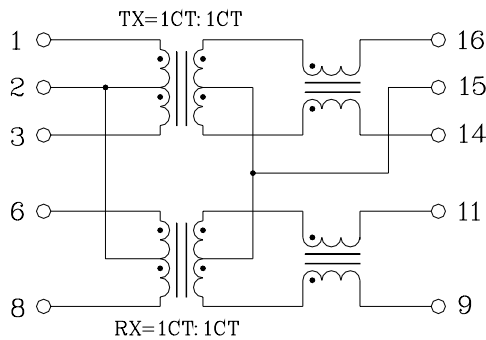
NS0013/NS0013A/NS0068D



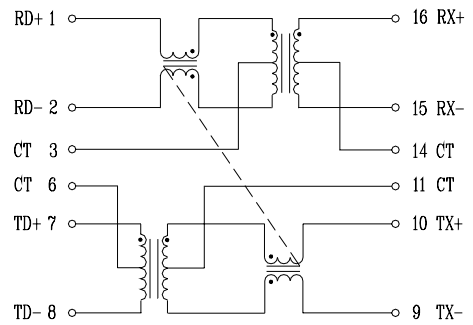
NS0013B/NS0068C



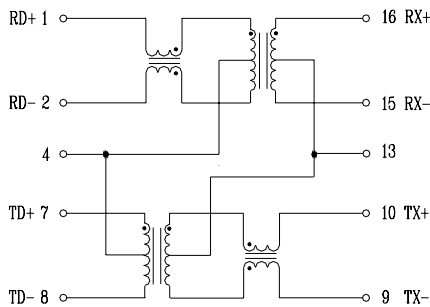
NS0013BX



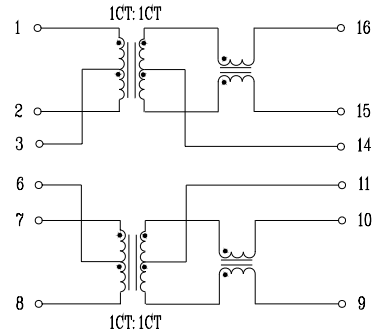
NS0013C



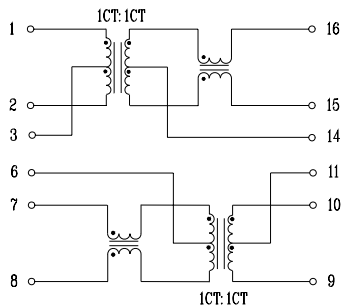
NS0013X



NS0068



NS0068A



NS008B

