

NS2009 DataSheet V1.1

ShenZhen Nsiway Technology Co., Ltd

201108

CONTENTS

Change History	2
General Description.....	5
Features	5
Applications.....	5
Typical Application Circuit.....	5
Absolute Maximum Ratings.....	6
Electrical Characteristics	7
Pin Layout	8
Pin Discription.....	9
Typical Characteristics	9
Theory of Operation.....	11
The Basic Principle.....	11
Analog Input Characteristics	11
Differential Mode	12
Application Recommendations of Touch Screen.....	12
Pressure Measurement.....	12
Digital Interface.....	13
Write Command	13
Read Command	14
High-Speed Mode.....	14
Digital Timing.....	14
Data Format.....	16
PENIRQ Output.....	16
Application Note	17
Physical Size of Chip Package	18
MSOP-10 Package.....	18
QFN(3×3)-16L Package.....	19

FIGURE LISTS

Figure 1. NS2009 Typical Application Circuit	5
Figure 2. MSOP-10 Package Pin Distribution (top view)	8
Figure 3. QFN(3×3)-16L Package Pin Distribution (top view).....	8
Figure 4. NS2009 Analog Input Schematic.....	11
Figure 5. Differential reference mode diagram (C3 = 1, Y direction drive switch closure, XP as an analog input).....	12
Figure 6. Pressure Measurement Block Diagram.....	12
Figure 7. I2C interface write command timing diagram	13
Figure 8. I2C Interface Read Command Timing Schematic	14
Figure 9. NS2009 Digital Interface	14
Figure 10. Ideal Input Voltages and Output Codes	16
Figure 11. PENIRQ Function Schematic	16
Figure 12. MSOP-10 Package Size	18
Figure 13. QFN(3×3)-16L Package Size.....	19

TABLE LISTS

Table 1 Chip Limit Parameter Table	6
Table 2 NS2009 Electrical Characteristics Table	7
Table 3 ADC Input Configuration	11
Table 4 address byte.....	13
Table 5 Command Byte	13
Table 6 PD0 Control Bit.....	13
Table 7 timing specification	15

General Description

The NS2009 is a 4-wire resistive touch screen controller with I²C Interface, includes 12-bit resolution A / D converter. The NS2009 through the implementation of the two A / D conversion has been identified by the location of the screen, in addition to measurable increase in pressure on the touch screen. 2.7V typical work in the state, the closure of the reference voltage, power consumption can be less than 0.75mW.

Features

- Operating voltage range of 2.0V ~ 5.5V
- Touch-pressure measurement
- 2-wire I²C communication interface
- With automatic power down feature
- MSOP10 and QFN(3×3)-16L package
- -40 ~ 85 °C Operating Temperature Range

Applications

- Mobile phone (cell phone, etc.)
- Touch screen displays, personal digital assistant (PDA)
- Portable equipment, POS terminal machine equipment, etc.

Typical Application Circuit

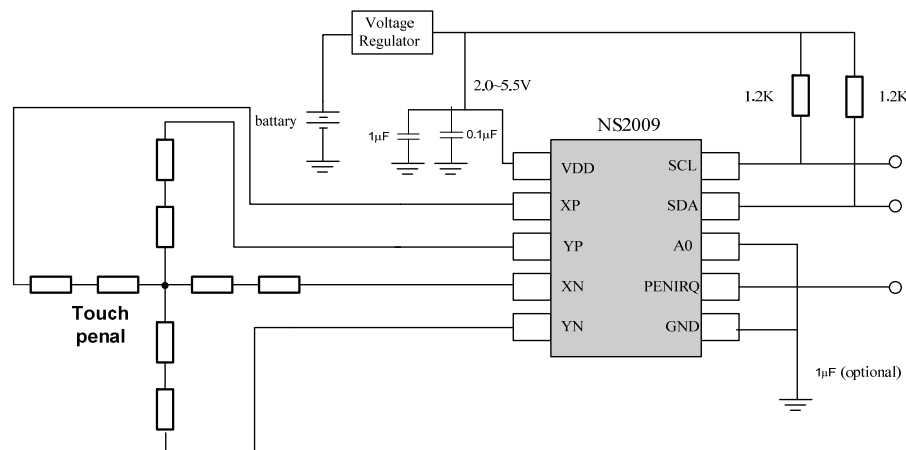


Figure1. NS2009 Typical Application Circuit

Absolute Maximum Ratings

Table 1 Chip Limit Parameter Table

Name	Parameter
VDD Voltage	-0.3V To +5.5V
Analog Input Voltage	-0.3V To +VDD+0.3V
Digital Input Voltage	-0.3V To +VDD+0.3V
Consumption	1W
Maximum Junction Temperature	+150°C
Operating Temperature	-40°C ~ +85°C
Storage Temperature	-65°C ~ +150°C
Welding Temperature (less than 10 seconds)	+260°C
ESD	+/- 8000V (HMD)
Latch Up	+/- 100mA

WARNING: In addition to limits or any other conditions, the chip may be damaged.

Electrical Characteristics

Qualification: VS = +2.5 V ~ +5.5 V, TA = - 40 °C ~ +85 °C, VDD = +2.7 V, 12bits standard mode (100K), or fast mode (400K), the digital input ground or VDD.

Table 2 NS2009 Electrical Characteristics Table

Parameter	Condition	Min	Typ	Max	Unit
Analog Input:					
Differential Input	Cathode Input - Negative Input	0		V _{REF}	V
Single-ended Input	Cathode Input	-0.2		+VDD+0.2	V
	Negative Input	-0.2		+0.2	V
Input Capacitance			25		pF
Leakage current			0.1		μA
ADC System Performance:					
Resolution			12		Bits
No missing Code		10			Bits
Integral Linearity Error				±2	LSB ¹
Imbalance Error				±6	LSB
Gain Error	External Vref			±4	LSB
Noise Performance	Including Internal Vref		70		μV _{rms}
PSRR			70		dB
Switch Driver					
Switch On-Resistance					
YP、XP			5		Ω
YN、XN			5		Ω
Driver Current(2)	Duration 100ms			50	mA
Digital Input/Output					
Logic Type			CMOS		
Capacitance	All Digital Control Input Pins		5	15	pF
V _{IH}	I _{IH} ≤ +5μA	VDD*0.7		VDD+0.3	V
V _{IL}	I _{IL} ≤ +5μA	-0.3		0.3*VDD	V
V _{OH}	I _{OH} = -250μA	VDD*0.8			V
V _{OL}	I _{OL} = 250μA			0.4	V
Data Format		Straight Binary			
Power Requirement					
VDD	Operating Range	2.0		5.5	V
Quiescent Current	Internal Vref Off		100	150	μA
	Internal Vref On		300		μA
	Power-Down State			3	μA
Temperature Range	—				
Feature		-40		+85	°C

Notes:

1. LSB that the least significant bit
2. In order to ensure reliable chip, X, Y can not be larger than the drive current 50mA

Pin Configuration

Pin Layout

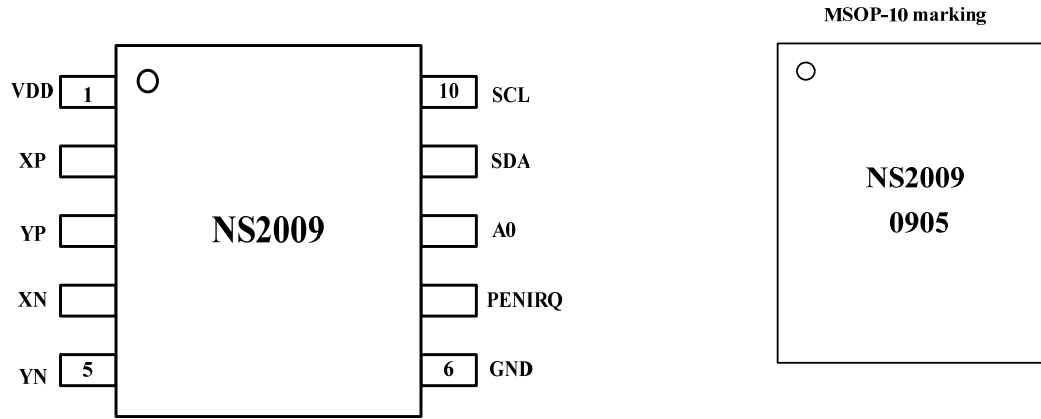


Figure 2. MSOP-10 Package Pin Distribution (top view)

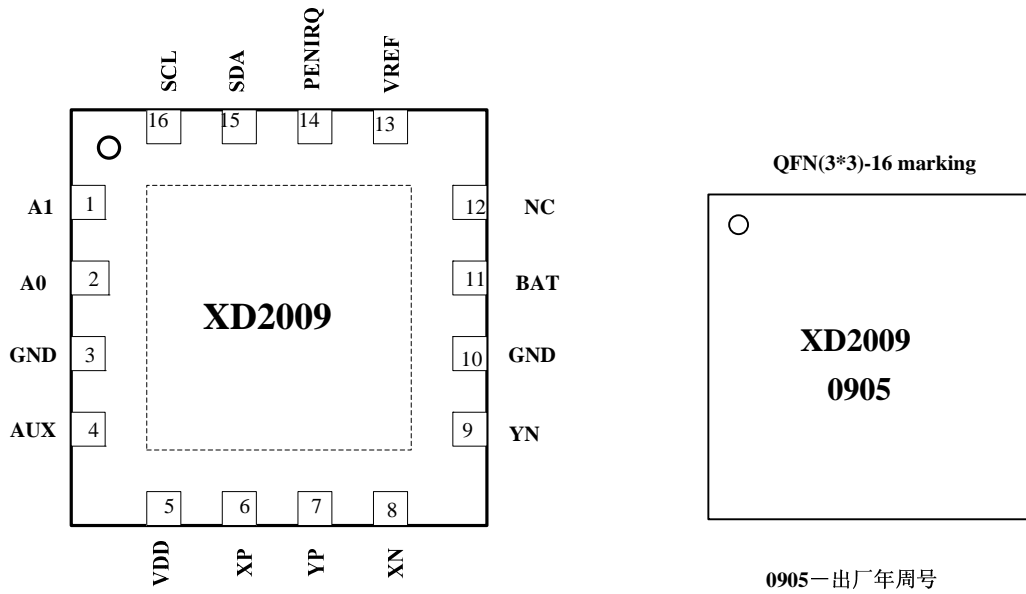


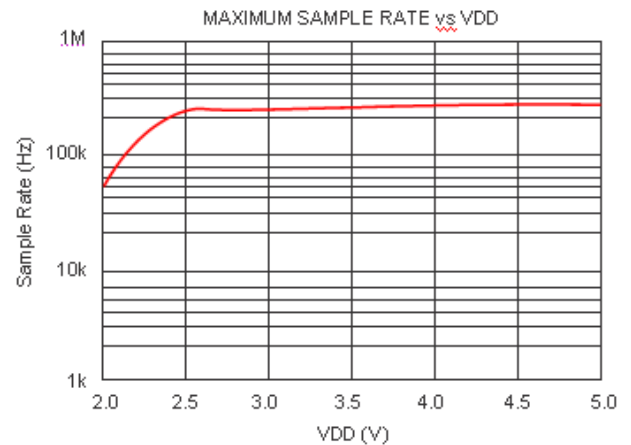
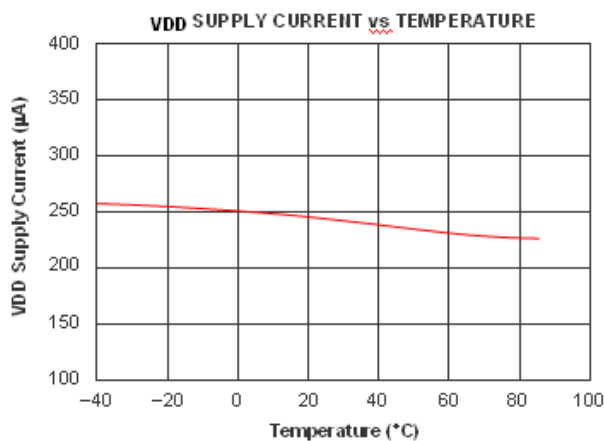
Figure 3. QFN(3×3)-16L Package Pin Distribution (top view)

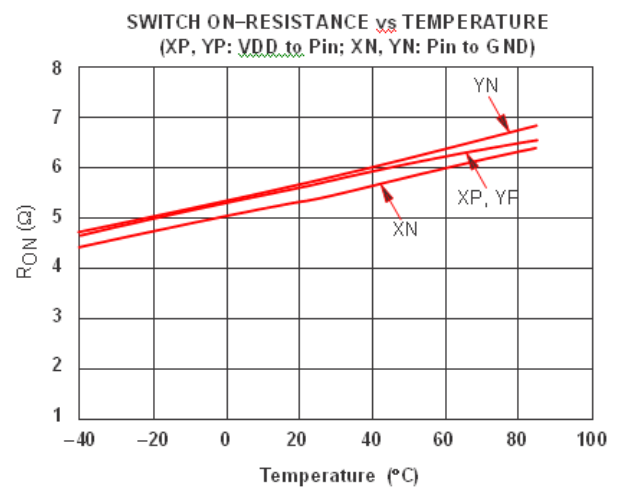
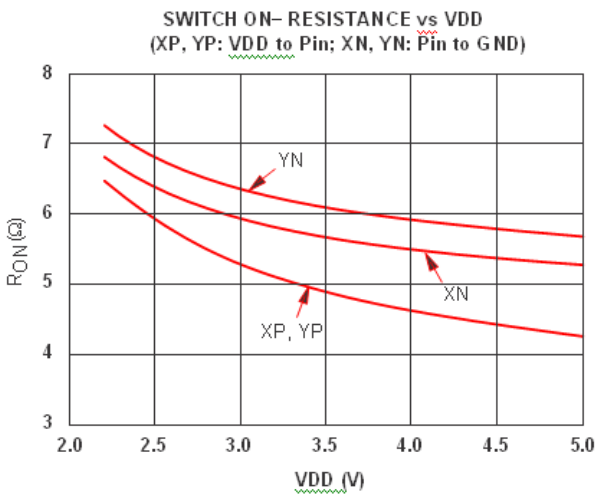
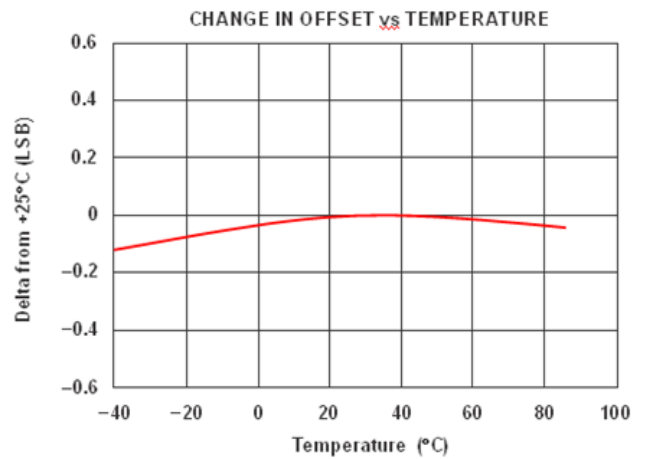
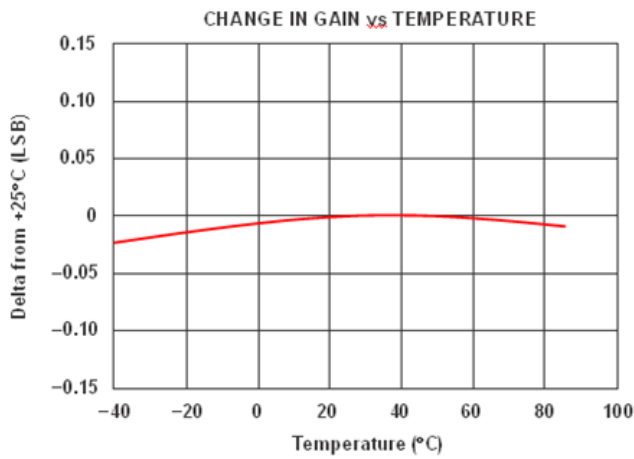
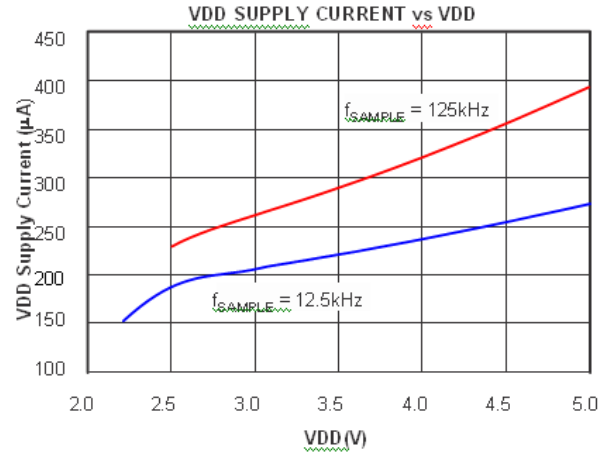
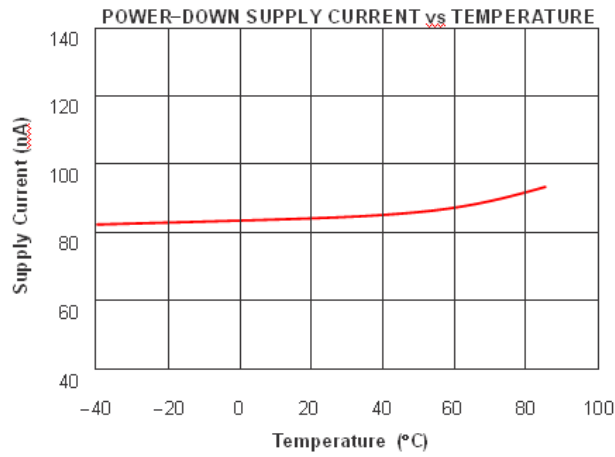
Pin Discription

PIN#		NAME	DISCRIPTION
QFN(3×3)-16L	MSOP-10		
1	--	A1	I2C Address Input1
2	8	A0	I2C Address Input0
3	6	GND	Ground
4	--	AUX	Auxiliary Input
5	1	VDD	Power Supply
6	2	XP	XP Position Input
7	3	YP	YP Position Input
8	4	XN	XN Position Input
9	5	YN	YN Postion Input
10	--	GND	Ground
11	--	BAT	Battery Monitor Input
12	--	NC	
13	--	VREF	Reference Voltage Input/Output
14	7	PENIRQ	Pen Interrupt Pin
15	9	SDA	I2C Data Interface
16	10	SCL	I2C Clock Interface

Typical Characteristics

Conditions: TA = 25 °C, VDD = +2.7 V, 12-bit mode; PD0 = 0





Theory of Operation

The Basic Principle

NS2009 is a typical type of successive approximation ADC (SAR ADC), contains a sample / hold, analog-to-digital conversion, I2C data output functions. Single power supply, power supply voltage range of 2.0V ~ 5.5V. The analog inputs (X,

Y, Z) via control register enter the ADC, as a touch screen application, it should be configured as a differential mode, which can effectively eliminate the parasitic resistance of the driver switch and external interference caused by measurement error and improve the conversion accuracy.

Analog Input Characteristics

Figure 5 describes MUX, ADC's analog input as well as the I2C interface circuit. Table 3 shows the control byte order bit C3, C2, C1, C0 and the relationship of configuration between NS2009.

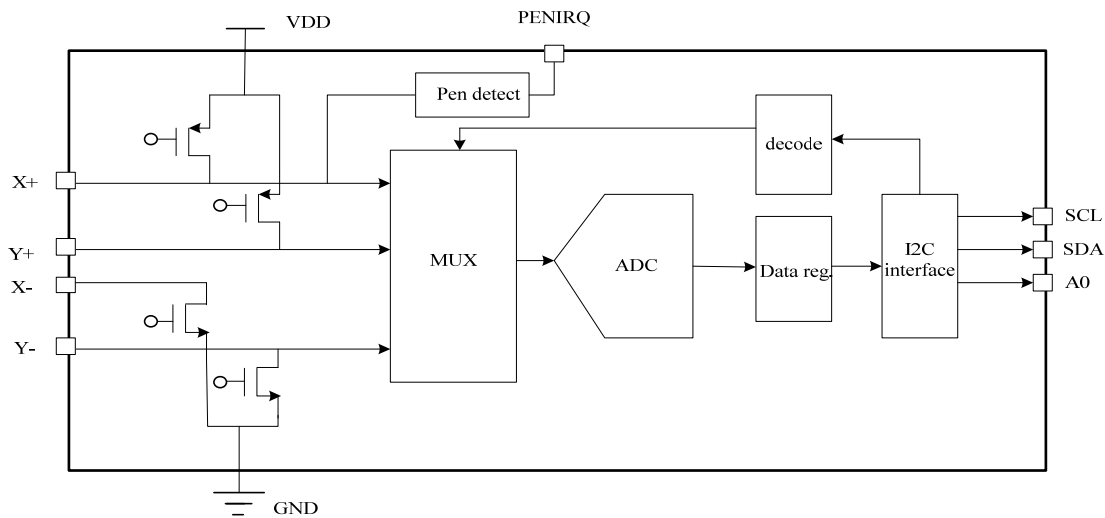


Figure 4. NS2009 Analog Input Schematic

Table 3 ADC Input Configuration

C3	C2	C1	C0	BAT1	AUX1	TEMP	YN	XP	YP	Y- Position	X- Position	Z1- Position	Z2- Position	X- Driver	Y- Driver
0	-	-	-	-	-	-	-	-	-	-	-	-	-	-	-
1	0	0	0	Long driver, Accelerate mode					+IN		meas			On	Off
1	0	0	1	Long driver, Accelerate mode				+IN		meas				Off	On
1	0	1	0	Long driver, Accelerate mode				+IN				meas		XN On	YP On
1	0	1	1	Long driver, Accelerate mode			+IN						meas	XN On	YP On
1	1	0	0	Short driver, auto power down, low power mode					+IN		meas			On	Off
1	1	0	1	Short driver, auto power down, low power mode				+IN		meas				Off	On
1	1	1	0	Short driver, auto power down, low power mode				+IN				meas		XN On	YP On
1	1	1	1	Short driver, auto power down, low power mode			+IN						meas	XN On	YP On

Differential Mode

When the command control bit C3 is high, NS2009 is in the measurement mode of X, Y, Z, the internal ADC reference voltage source is the differential mode, shown in Figure 8. The advantage of differential mode: + REF and -REF input directly to the YP, YN, Which can eliminate measurement error because of the switch on-resistance. The disadvantage is that: both the ample or conversion process, the driver will need to be on, relative to single-ended mode, the power consumption increased.

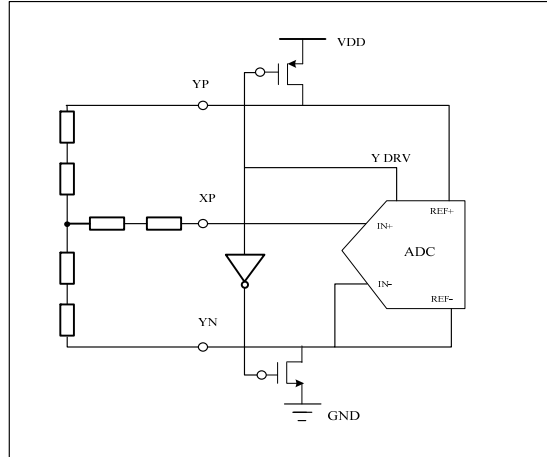


Figure 5. Differential reference mode diagram (C3 = 1, Y direction drive switch closure, XP as an analog input)

Application Recommendations of Touch Screen

In the application, it is recommended to add some external capacitor across the touch screen in order to filter the noise from touch-screen (such as: the noise from backlight and LCD circuit). Capacitors and resistors form a low-pass filter to suppress noise. Too large capacitance value may lead to an increase in set-up time, there gain error. So capacitance should be taken into consideration to choose the input signal bandwidth requirements.

Pressure Measurement

NS2009 can also measure the pressure of touch, that is written in Table 3 Measurement of Z direction. In general, the performance of such measurements do not ask for much, so the use of 8-bit resolution mode (however, the calculation is the following 12-bit resolution mode) can be. There are several different ways to achieve the pressure measurements. The first method needs to know X panel of the resistance, X the location of the measurement, touch screen panel attached between the two measured values (Z1 and Z2), as shown in Figure 11. Formula can be used (3) calculate the touch resistance:

$$R_{touch} = R_{X-Plate} \cdot \frac{X\text{Position}}{4096} \left(\frac{Z2}{Z1} - 1 \right) \dots \dots \dots (3)$$

The second approach requires the detection of X and Y panels panel resistance, X and Y position, and the Z1 position. Formula can be (4) Calculation of touch resistance:

$$R_{touch} = \frac{R_{X-Plate} \cdot X\text{-Position}}{4096} \left(\frac{4096}{Z1} - 1 \right) - R_{Y-Plate} \left(1 - \frac{Y\text{-Position}}{4096} \right) \dots \dots (4)$$

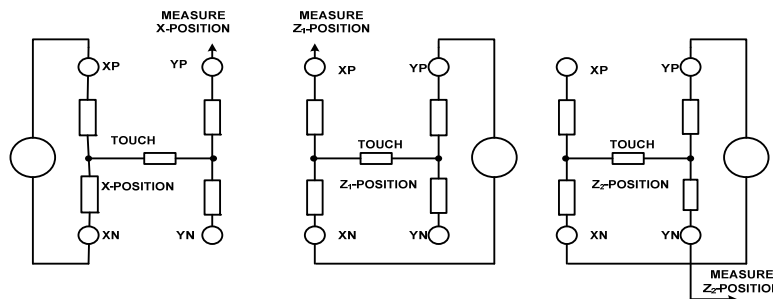


Figure 6. Pressure Measurement Block Diagram

Digital Interface

NS2009 data interface is I2C serial interface, I2C interface to meet the agreement, can realize the standard mode (100K), fast mode (400K) or high-speed mode (3.4M), divided into the control of NS2009 writing, reading two command format, write command is used to enter an address and command bytes, so that work in the designated NS2009 configuration and mode, NS2009 read command is used to output data of ADC conversion in order to obtain information related to measurement.

Write Command

Command timing, as shown in Figure 12.

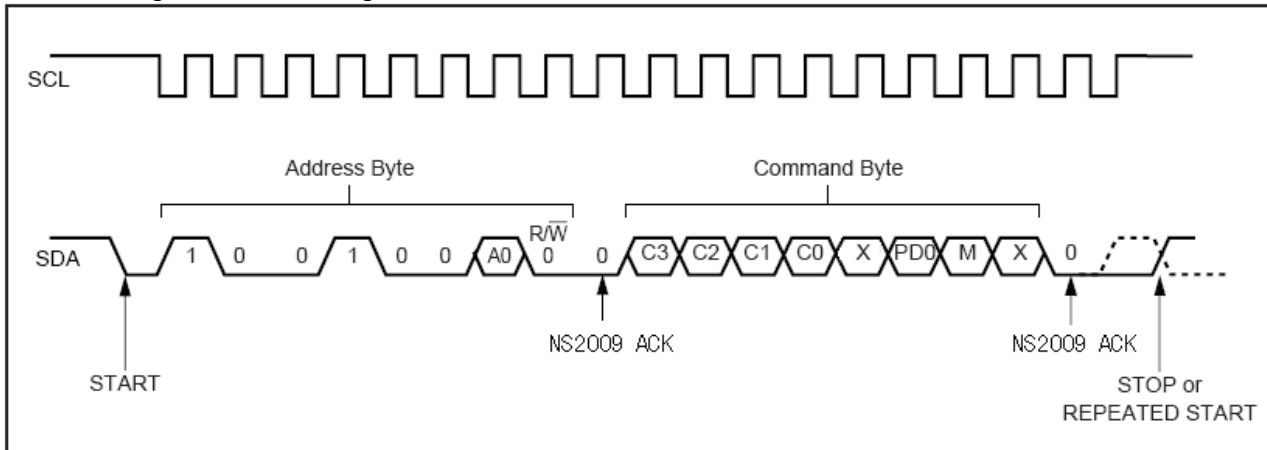


Figure 7. I2C interface write command timing diagram

First byte for address byte:

Table 4 address byte

Bit7 (MSB)	Bit6	Bit5	Bit4	Bit3	Bit2	Bit1	Bit0(LSB)
1	0	0	1	0	0	A0	R/W

The lowest R / W (bit0), 0 means write command, 1 means read command A0 (Bit1) control bit for the hardware address, which must be in line-level with 8 pin to the corresponding NS2009. The highest 5-bit address for the software, you must enter a fixed code "10010", as shown in Figure 7. After the first byte has been received, NS2009 issue response signal ACK (0-level) at the 9th clock cycle, indicating that the data has been received.

Second byte for command byte:

Table 5 Command Byte

Bit7 (MSB)	Bit6	Bit5	Bit4	Bit3	Bit2	Bit1	Bit0(LSB)
C3	C2	C1	C0	X	PD0	M	X

C3, C2, C1, C0 - decided NS2009 configuration of the input signal and the corresponding measurement function specifically as shown in table 3.

PD1, PD0 - used to control the internal reference voltage source and the pen interrupt signal, as shown in table 6:

Table 6 PD0 Control Bit

PD0	PENIRQ	Function Discription
0	Enable	Saving mode, only after the second byte of write command, the internal ADC circuit starts work, until the ADC data conversion is completed, the chip automatically enter the power down state, ADC data saves in internal registers of the data to wait to be read.
1	Disable	ADC always on.

M - Mode Selection, and to set the resolution of ADC. MODE = 0, ADC is a 12-bit mode; MODE = 1, ADC is an 8-bit mode. The lowest bit (bit0) is set aside, and can be set up, the general set to 0
 After the second byte has been received , NS2009 will issue the response signal ACK(0-level) at the 18th clock cycle, indicating that the data has been received.

Read Command

Command Timing, Shown in Figure 13:

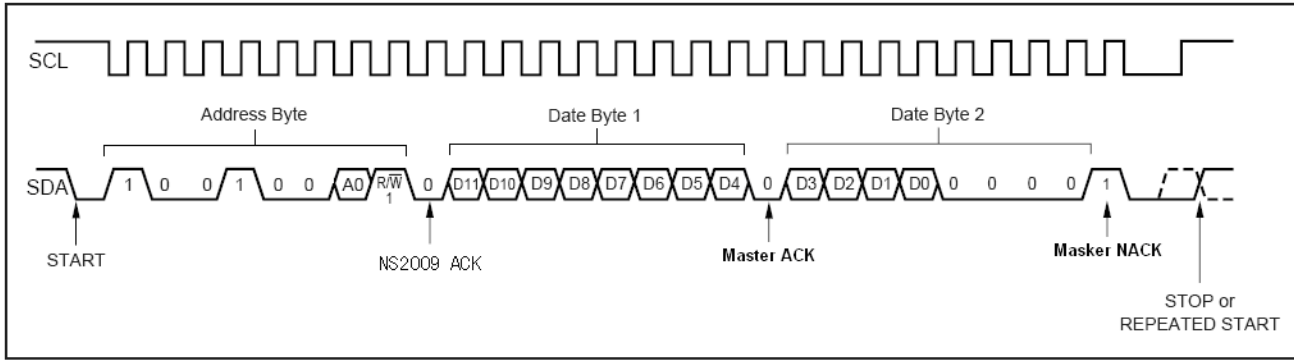


Figure 8. I2C Interface Read Command Timing Schematic

Reading command contains 3-byte , the first byte is address , similar to the write command only for bit0 is high; the next 2 bytes is the 12bit from NS2009 (if 8bits mode, it is only 1 bytes of data), redundant 4bits zero. After NS2009 received the first byte of the address data, then issue response signal ACK (0-level) at the 9th clock cycle, then started to output the first byte of data,after the host received the first byte of data then should issue response master ACK (0-level), After NS2009 received masker ACK then started to send second byte of data,after the host received the second byte of data, do not answer ,at this time ,SDA will be pulled high , which is shown on the masker Not ACK signal.

High-Speed Mode

When the host send data "00001XXX", which was received by NS2009 then the host doesn't need wait for the response, NS2009 will enter the high-speed mode (serial rate can 3.4Mhz), until the host issued a STOP signal. High-speed mode, the read/write command format is the same as the standard mode and speed mode. But STOP signal can not be made, otherwise high-speed mode will be ended.

Digital Timing

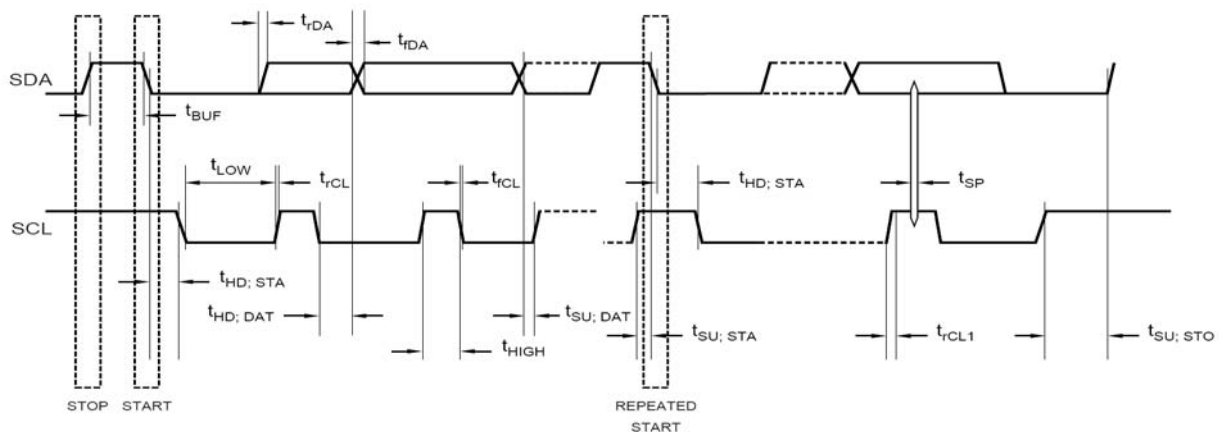


Figure 9. NS2009 Digital Interface

Table 7 timing specification

Serial Number	Instruction	Test Condition	+VDD = 2.7V, C _{LOAD} = 50pF		Unit
			Min	Max	
fSCL	SCL Clock Frequency	Standard Mode	0	100	kHz
		Fast Mode	0	400	kHz
		High-Speed Mode, C _b = 100pF max	0	3.4	MHz
		High-Speed Mode, C _b = 400pF max	0	1.7	MHz
tBUF	Bus Free Time Between a STOP and Start Condition	Standard Mode	4.7		μs
		Fast Mode	1.3		μs
tHD; STA	Hold Time (Repeated) START Condition	Standard Mode	4.0		μs
		Fast Mode	600		ns
		High-Speed Mode	160		ns
tLOW	LOW Period of the SCL Clock	Standard Mode	4.7		μs
		Fast Mode	1.3		μs
		High-Speed Mode, C _b = 100pF max	160		ns
		High-Speed Mode, C _b = 400pF max	320		ns
tHIGH	HIGH Period of the SCL Clock	Standard Mode	4.0		μs
		Fast Mode	600		ns
		High-Speed Mode, C _b = 100pF max	60		ns
		High-Speed Mode, C _b = 400pF max	120		ns
tSU; STA	Setup Time for a Repeated START Condition	Standard Mode	4.7		μs
		Fast Mode	600		ns
		High-Speed Mode	160		ns
tSU; DAT	Data Setup Time	Standard Mode	250		ns
		Fast Mode	100		ns
		High-Speed Mode	10		ns
tHD; DAT	Data Hold Time	Standard Mode	0	3.45	μs
		Fast Mode	0	0.9	μs
		High-Speed Mode, C _b = 100pF max	0	70	ns
		High-Speed Mode, C _b = 400pF max	0	150	ns
trCL	Rise Time of SCL Signal	Standard Mode		1000	ns
		Fast Mode	20 + 0.1C _b	300	ns
		High-Speed Mode, C _b = 100pF max	10	40	ns
		High-Speed Mode, C _b = 400pF max	20	80	ns
trCL1	Rise Time of SCL Signal After a Repeated START Condition and After an Acknowledge Bit	Standard Mode		1000	ns
		Fast Mode	20 + 0.1C _b	300	ns
		High-Speed Mode, C _b = 100pF max	10	80	ns
		High-Speed Mode, C _b = 400pF max	20	160	ns
tfCL	Fall Time of SCL Signal	Standard Mode		300	ns
		Fast Mode	20 + 0.1C _b	300	ns
		High-Speed Mode, C _b = 100pF max	10	40	ns
		High-Speed Mode, C _b = 400pF max	20	80	ns
trDA	Rise Time of SDA Signal	Standard Mode		1000	ns
		Fast Mode	20 + 0.1C _b	300	ns
		High-Speed Mode, C _b = 100pF max	10	80	ns
		High-Speed Mode, C _b = 400pF max	20	160	ns
tfDA	Fall Time of SDA Signal	Standard Mode		300	ns
		Fast Mode	20 + 0.1C _b	300	ns
		High-Speed Mode, C _b = 100pF max	10	80	ns
		High-Speed Mode, C _b = 400pF max	20	160	ns
tSU; STO	Setup Time for STOP Condition	Standard Mode	4.0		μs
		Fast Mode	600		ns
		High-Speed Mode	160		ns
C _b	Capacitive Load for SDA or SCL Line	Standard Mode		400	pF
		Fast Mode		400	pF
		High-Speed Mode, SCL = 1.7MHz		400	pF
		High-Speed Mode, SCL = 3.4MHz		100	pF
tSP	Pulse Width of Spike Suppressed	Fast Mode	0	50	ns
		High-Speed Mode	0	10	ns

VnH	Noise Margin at the HIGH Level for Each Connected Device (Including Hysteresis)	Standard Mode Fast Mode High-Speed Mode	0.2VDD		V
VnL	Noise Margin at LOW Level for Each Connected Device (Including Hysteresis)	Standard Mode Fast Mode High-Speed Mode	0.1VDD		V

Data Format

NS2009 output data format is a standard binary format. The following figure gives a different output voltage corresponding to the ideal encoding.

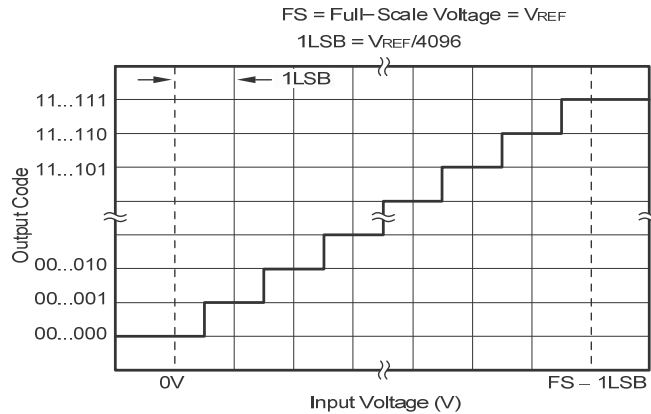


Figure 10. Ideal Input Voltages and Output Codes

PENIRQ Output

The PENIRQ can be set through PD0 (see table 6), pen interrupt output function shown in Figure 9. when PD0 = 0, YN-driven open, the Y-touch screen panel to be connected to GND. PENIRQ output is connected to XP through two switches. In the standby mode, when there is a touch-screen action, XP input drop-down to ground through the touch-screen, PENIRQ output low. when there is no movement touch screen disconnect to GND, PENIRQ high output. Through the disruption of the functional pen set PD0 (see Table 6), pen interrupt output functions shown in Figure 9.

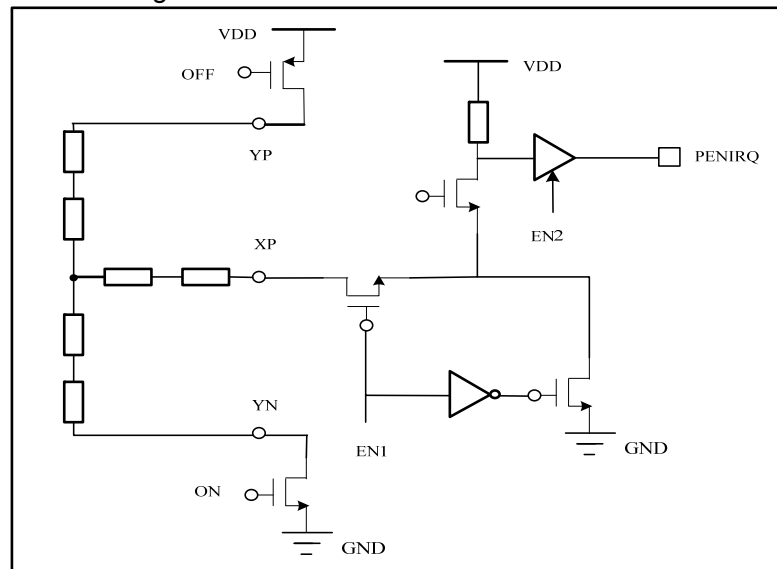


Figure 11. PENIRQ Function Schematic

In the measurement process of X, Y and Z, PENIRQ output low; PD0 = 1, the pen interrupt function have been banned, can not monitor the touch movement on the touch screen. If you want to re-enable interrupt function pen, need to control PD0 = 0 to write to NS2009, if the last control word contains PD0 = 0, pen interrupt output will be enable after the completion of the command. In order to avoid false triggering, it is proposed, when the processor is sending command to NS2009, mask interrupt PENIRQ.

Application Note

Follow the following rules then the NS2009 can be brought into full play the advantages. There are many contradictions about power, cost, size and weight in the most design of portable system. Generally, the vast majority of chips for portable systems need to have considerable clean power and ground, this is because most of its internal very low power consumption devices. This will mean that fewer and fewer total bypass and ground. Moreover, the circumstances vary, so should pay attention to the following recommendations and requirements.

To enable the chip to optimum performance, do take extra care to deal with the physical connection of NS 2009 circuit. SAR basic structure is very sensitive to the pulse interference, and the mutation of power supply voltage, reference voltage, ground connection, and the digital input which only occurred before the analog comparator output latch. Thus, in n-bit SAR converter conversion at any one time, there will have n "window" that external transient voltage formed affect the outcome of the conversion. Similar pulse interference may come from switching power supplies, digital logic circuits, and high-power devices. These disturbances on digital logic output error depends on the reference voltage, layout wiring and external timing. The changes of input clock timing affect the error of the digital logic output too.

For the interference effects of the above considerations, NS2009 power supply must be clean, and there is a good bypass. As far as possible close to the chip, plus a 0.1 μ F ceramic capacitor. If the impedance is high between VDD and power supply, it should also add a 1 μ F ~ 10 μ F capacitance. Leakage current of all capacitors must be small enough to avoid consume additional power when the NS2009 down to the system. In general, VREF pin does not require additional bypass capacitor, because the internal reference voltage has been output through internal operational amplifier buffer. However, if you use an external reference voltage source, need to add bypass capacitor, and to ensure that does not cause oscillation. NS2009 has no the repress ability for external reference voltage input, if the input reference voltage sourced directly connected with the power supply, power supply noise and ripple will directly affect the accuracy of the conversion. Despite the high-frequency noise can be filtered, but it is very difficult to filter interference of power frequency, which should be regarded in the design.

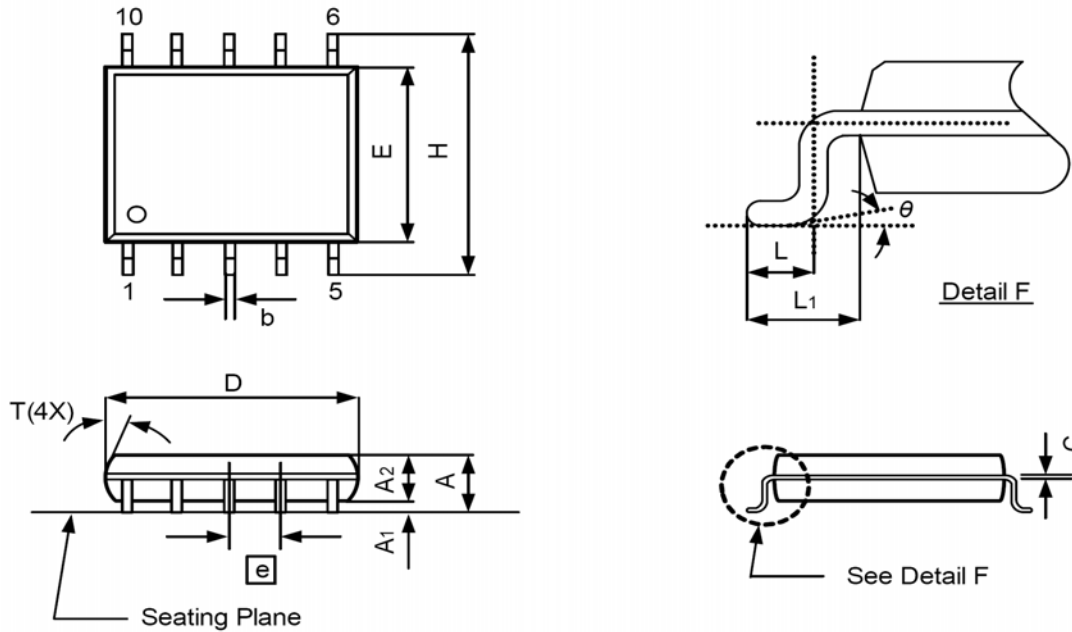
GND of NS2009 is simulate, the pin must be connected to a very clean GND, to avoid to near the ground of micro-controller or digital signal processor. If possible, it would be preferable to connect the converter ground to the power supply internal ground (or batteries). The will be the best to place converter and other analog circuits in the same plane.

In particular, when using resistive touch screen, pay attention to the connection between touch screen and NS2009. Because the resistance of resistive touch screen is relatively small, so the connection between NS2009 the screen is as small as possible. Long connection will bring more of the error, which, as the switch on-resistance. In addition, the welding point relaxation, as well as a not solid point will bring the error to the application.

In addition to the above, the noise will cause error in other touch screen applications (for example, used the LCD panel backlight) too. EMI noise coupled the noise to touch screen through the LCD panel, caused instability in output, there are "glitches", and so can not be calibrated. Minimize these errors, there are several possible ways: increase a metal shield at the bottom of the touch screen, shield to ground; respectively, place the filter capacitor between XP, YP, XN, YN and ground; but it must be noted These settings will impact the touch screen response time, especially in single-ended mode at the same time data transmission and relatively high speed applications.

Physical Size of Chip Package

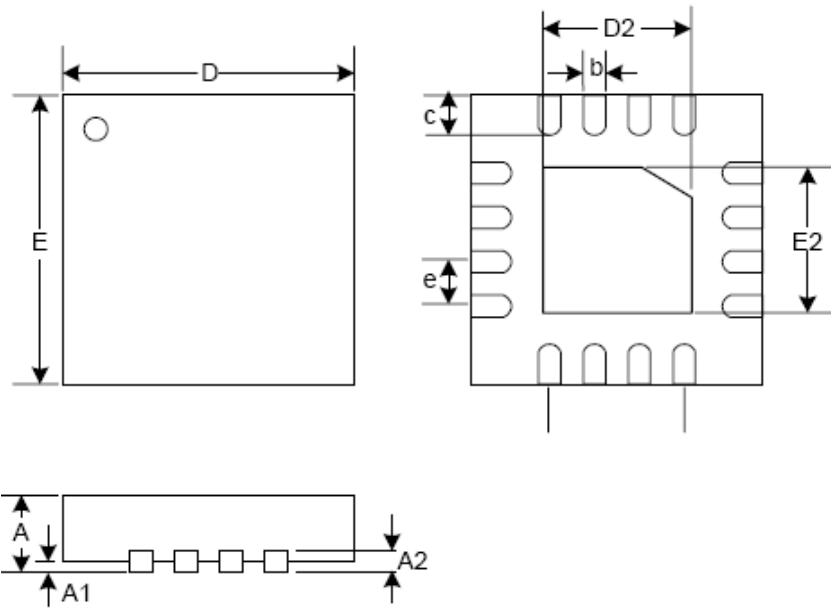
MSOP-10 Package



SYMBOLS	DIMENSION (MM)			DIMENSION (MIL)		
	MIN	NOM	MAX	MIN	NOM	MAX
A	0.81	1.02	1.12	32	40	44
A1	0.05	-	0.15	2	-	6
A2	0.76	0.86	0.97	30	34	38
b	0.15	0.20	0.30	6	8	12
C	0.13	0.15	0.23	5	6	9
D	2.90	3.00	3.10	114	118	122
E	2.90	3.00	3.10	114	118	122
H	4.70	4.90	5.10	185	193	201
e	-	0.50	-	-	19.7	-
L	0.40	0.53	0.66	16	21	26
L1	0.85	0.95	1.05	33	37	41
θ	0°	-	6°	0°	-	6°

图1

Figure 12. MSOP-10 Package Size

QFN(3×3)-16L Package


QFN-16L				
Symbol	Min	Typ	Max	Unit
A	0.800	0.850	0.900	mm
A1	0.000		0.050	
A2	0.203(BSC)			
b	0.200	0.250	0.300	
c	0.300	0.350	0.450	
D	2.950	3.000	3.050	
D2	1.600	1.650	1.700	
e	0.500(BSC)			
E	2.950	3.000	3.050	
E2	1.600	1.650	1.700	

Figure 13.QFN(3×3)-16L Package Size

Notice: Shenzhen Nsiway Co. LTD. Reserve the right to modify the datasheet at anytime, and without notice, Only Shenzhen Nsiway Co. LTD. have the right to explain the content in this datasheet.