



# 10/100 Base-T Single Port Transformer Module

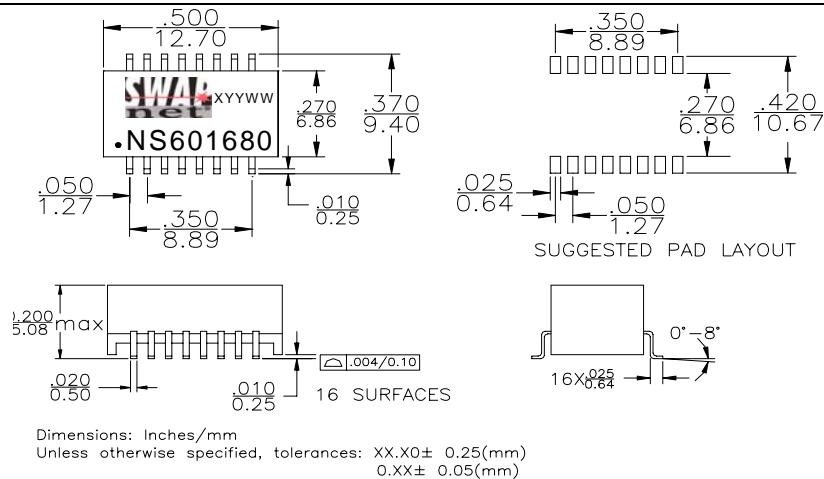
P/N: NS601680

- ★ Designed to meet IEEE802.3u requirement
- ★ Lead-Free & Designed to meet RoHS requirement
- ★ Designed to meet IR 255°C peak Requirement.
- ★ Primary inductance 350μH min. with 8mA DC Bias
- ★ Operating temperature range: 0°C to +70°C
- ★ Storage temperature range: 0°C to +85°C

## Electrical Specifications @ 25°C

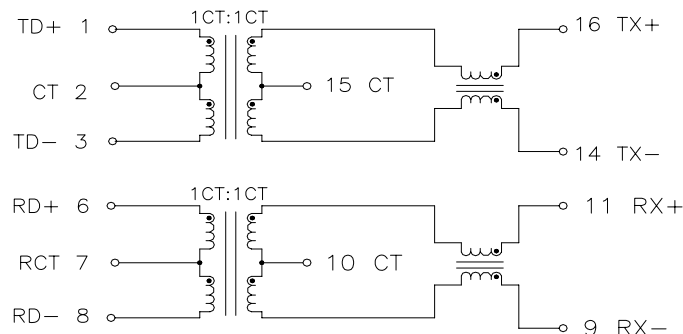
Part Number	Turn Ratio	Insertion Loss 0.3-100MHz (dB Max)	Return Loss (dB Min)			Cross Talk (dB Min)			DCMR (dB Min)			Hi-Pot (Vrms MIN)
			30MHz	50MHz	80MHz	300KHz	60MHz	100MHz	300KHz	60MHz	100MHz	
NS601680	1CT:1CT	-1.1	-18	-14.5	-12	-50	-40	-33	-38	-38	-30	1500

## Mechanical



Data sheet subject to change without notice

## Schematic



Headquarter: 13F, No. 111-5, Hsing Te Rd., Sun Chung City, Taipei Taiwan R.O.C

TEL: +886-2-85123848 FAX: +886-2-85123862

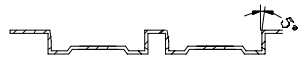
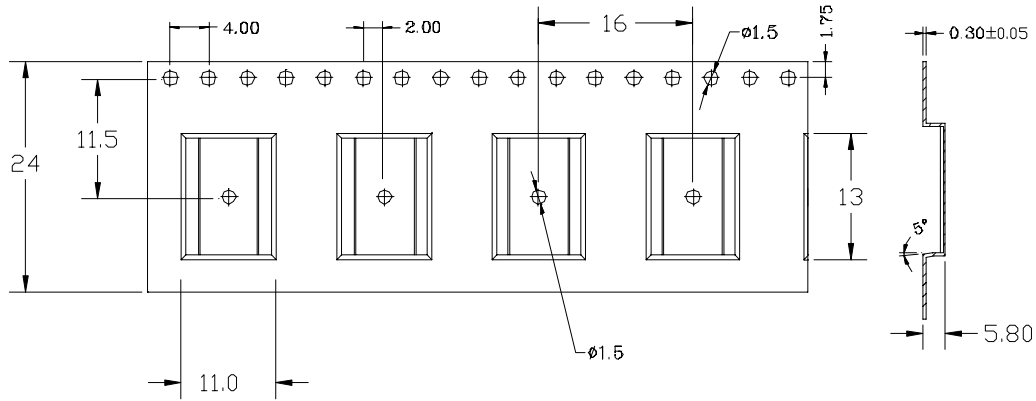
Overseas Operation Office:

Hong Kong Shanghai Shenzhen



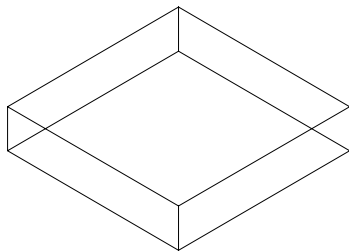
# 10/100 Base-T Single Port Transformer Module

P/N: NS601680

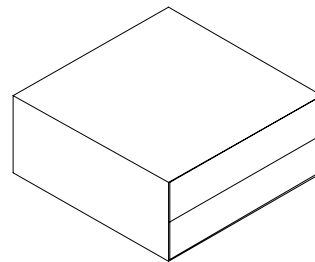


Units: mm Tolerances: ±0.10

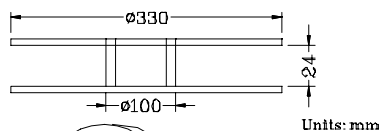
## REEL MECHANICAL DIMENSION



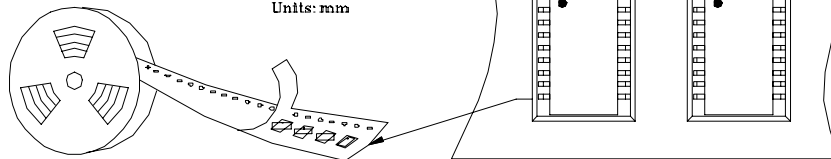
INNER CARTON: 340(L)x340(W)x100(H)



EXPORT CARTON: 360(L)x360(W)x250(H)



Units: mm



1. ONE ROLL: 600PCS
2. THREE ROLL BOX: 1800PCS
3. TWO BOX CARTON: 3600PCS

Headquarter: 13F, No. 111-5, Hsing Te Rd., Sun Chung City, Taipei Taiwan R.O.C

TEL: +886-2-85123848 FAX: +886-2-85123862

Overseas Operation Office:

Hong Kong Shanghai Shenzhen