



# 10/100/1000Base-T Single Port Transformer Module

P/N: NS602408

- ★ Designed to meet IEEE802.3ab requirement
- ★ Lead-Free & Designed to meet RoHS requirement
- ★ Designed to meet IR 255°C peak Requirement.
- ★ Primary inductance 350μH min. with 8mA DC Bias
- ★ Operating temperature range: 0°C to +70°C
- ★ Storage temperature range: 0°C to +85°C

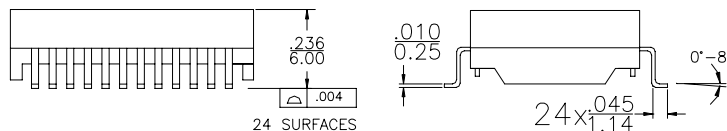
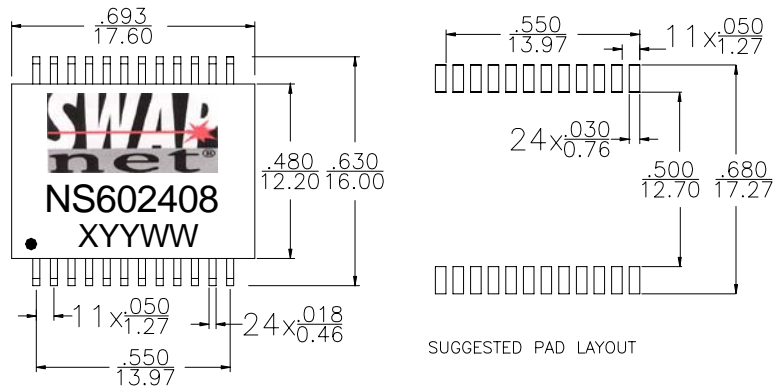
## Electrical Specifications @ 25°C

Part Number	Turn Ratio	Insertion Loss 1~100MHz (dB Max)	Return Loss (dB Min)				
			1-15MHz	15-40MHz	40-60MHz	60-80MHz	80-100MHz
NS602408	1CT:1CT	-1.3	-18.0	-18.0	-14.5	-12.0	-10.1

## Continue

Cross Talk (dB Min)					DCMR (dB Min)					Hi-Pot (Vrms Min)
1-15MHz	15-40MHz	40-60MHz	60-80MHz	80-100MHz	1-15MHz	15-40MHz	40-60MHz	60-80MHz	80-100MHz	
-35.0	-35.0	-30.0	-30.0	-30.0	-46.0	-46.0	-42.0	-40.0	-35.0	1500

## Mechanical



Dimensions: Inches/mm

Unless otherwise specified, tolerances: xx.x0 ± 0.25(mm)

0.xx ± 0.05(mm)

Data sheet subject to change without notice

Headquarter: 13F, No. 111-5, Hsing Te Rd., Sun Chung City, Taipei Taiwan R.O.C.

TEL: +886-2-85123848 FAX: +886-2-85123862

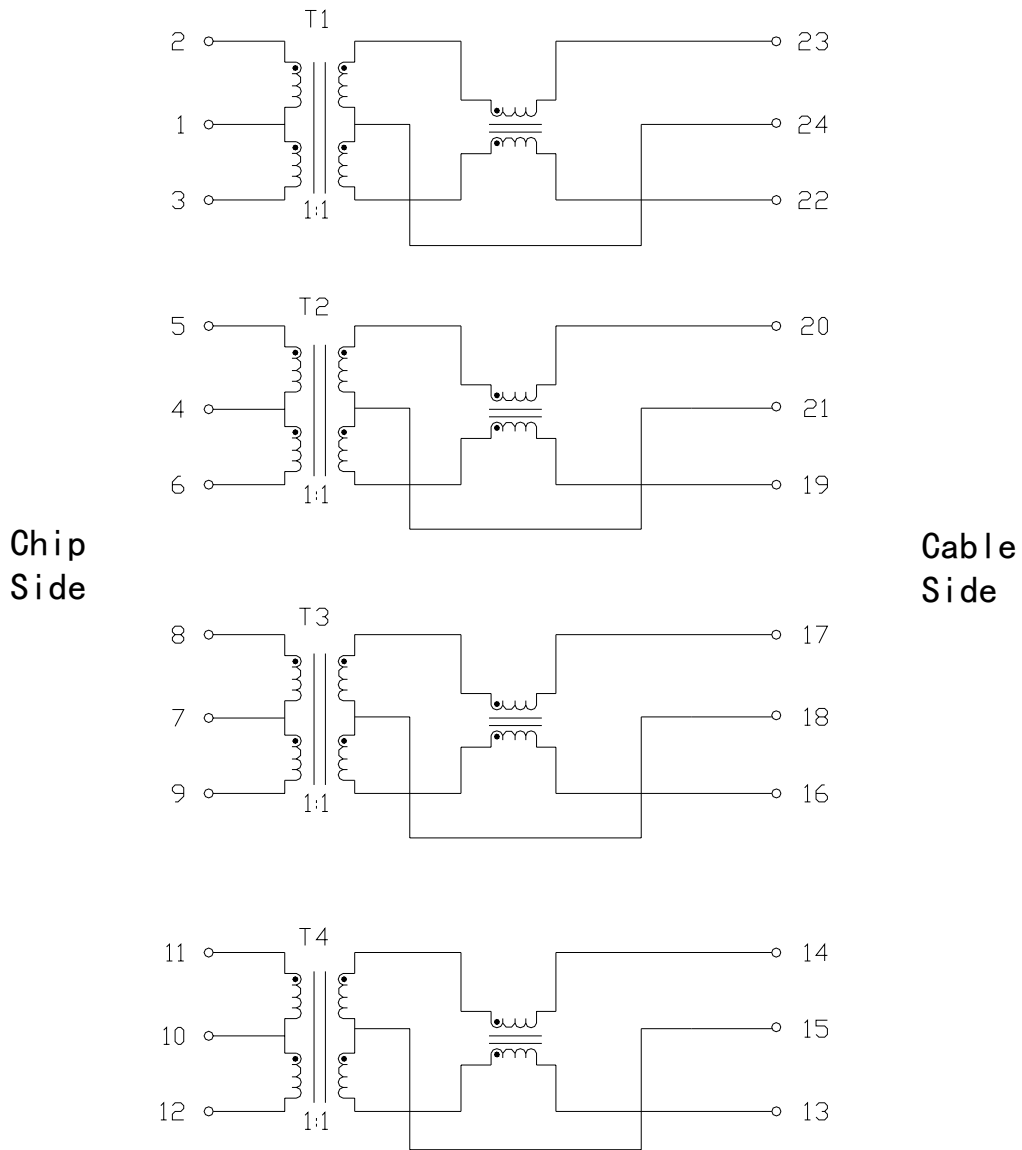
Overseas Operation Office:

Hong Kong Shanghai Shenzhen



P/N: NS602408

# 10/100/1000Base-T Single Port Transformer Module



Headquarter: 13F, No. 111-5, Hsing Te Rd., Sun Chung City, Taipei Taiwan R.O.C.

TEL: +886-2-85123848 FAX: +886-2-85123862

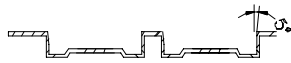
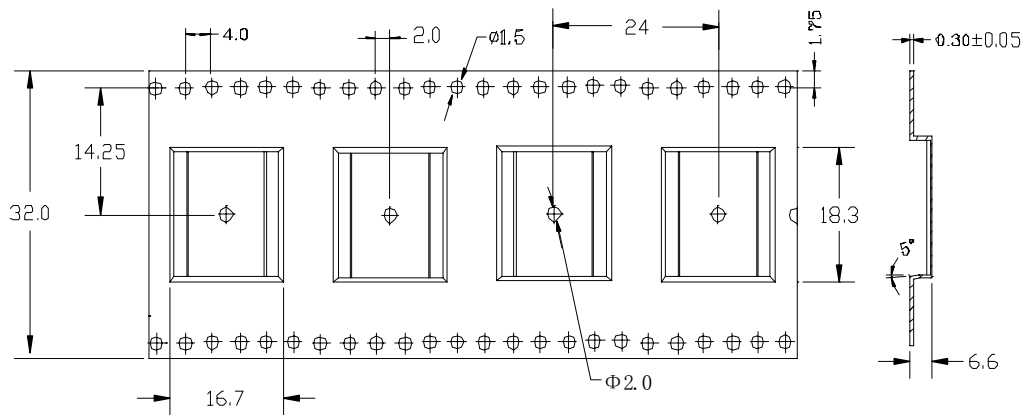
Overseas Operation Office:

Hong Kong Shanghai Shenzhen



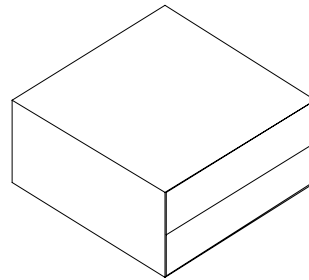
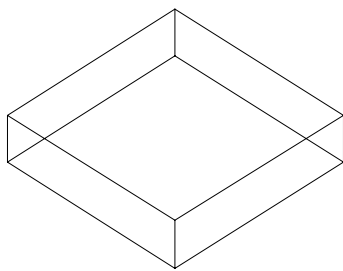
# 10/100/1000Base-T Single Port Transformer Module

P/N: NS602408



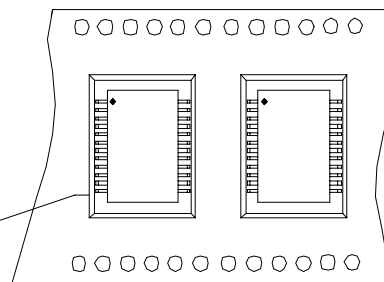
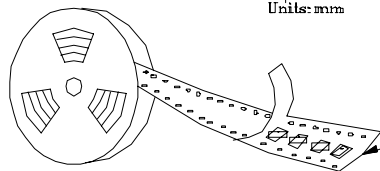
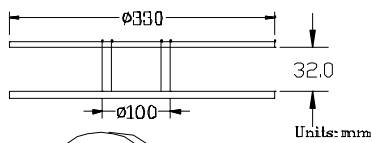
Units: mm Tolerances:  $\pm 0.10$

## REEL MECHANICAL DIMENSION



INNER CARTON: 340(L) x 340(W) x 100(H)

EXPORT CARTON: 360(L) x 360(W) x 250(H)



1. ONE ROLL: 400PCS
2. TWO ROLL BOX: 800PCS
3. TWO BOX CARTON: 1600PCS

Headquarter: 13F, No. 111-5, Hsing Te Rd., Sun Chung City, Taipei Taiwan R.O.C.

TEL: +886-2-85123848 FAX: +886-2-85123862

Overseas Operation Office:

Hong Kong Shanghai Shenzhen