



10/100/1000Base-T Dual Port Transformer Module

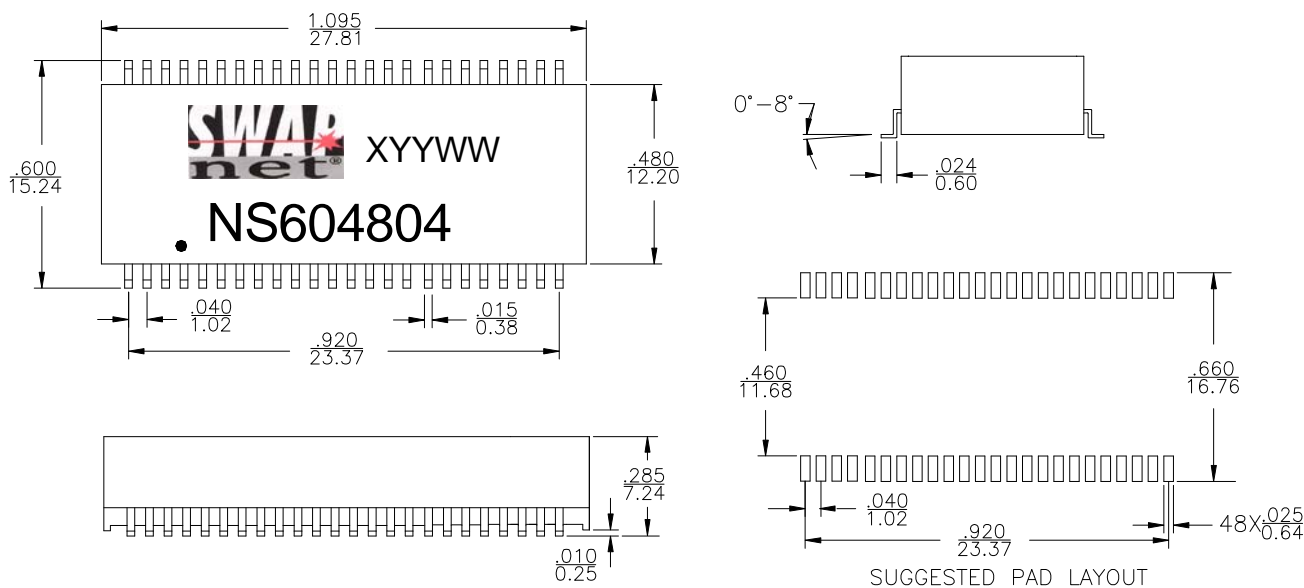
P/N: NS604804

- ★ Designed to meet IEEE 802.3ab Requirement
- ★ Lead-Free & Designed to meet RoHS requirement
- ★ Designed to meet IR 255°C peak Requirement
- ★ Primary inductance 350μH min. with 8mA DC Bias
- ★ Operating temperature range: 0°C to +70°C
- ★ Storage temperature range: 0°C to +85°C

Electrical Specifications @ 25°C

Part Number	Turn Ratio	Insertion Loss 1~100MHz (dB Max)	Return Loss (dB Min)				Cross Talk (dB Min)		DCMR (dB Min)		Hi-Pot (Vrms MIN)
			1-30MHz	40MHz	60-80MHz	100MHz	1-60MHz	60-100MHz	1-60MHz	60-100MHz	
NS604804	1CT:1CT	-1.0	-19	-14	-12	-10	-35	-30	-37	-28	1500

Mechanical



Dimensions: Inches/mm

Unless otherwise specified, tolerances: $xx.x0 \pm 0.25$ (mm)

$0.xx \pm 0.127$ (mm)

Data sheet subject to change without notice

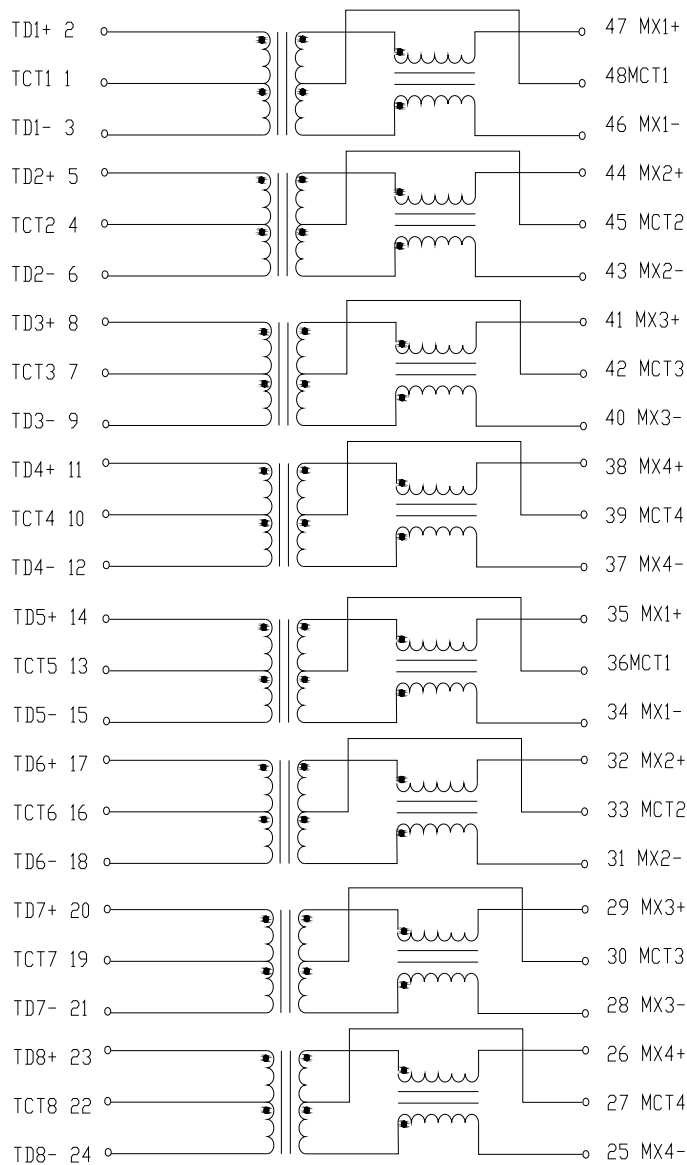
Headquarter: 13F, No. 111-5, Hsing Te Rd., Sun Chung City, Taipei Taiwan R.O.C.
 TEL: +886-2-85123848 FAX: +886-2-85123862
 Overseas Operation Office:
 Hong Kong Shanghai Shenzhen



P/N: NS604804

10/100/1000Base-T Dual Port Transformer Module

Schematics



Headquarter: 13F, No. 111-5, Hsing Te Rd., Sun Chung City, Taipei Taiwan R.O.C.

TEL: +886-2-85123848 FAX: +886-2-85123862

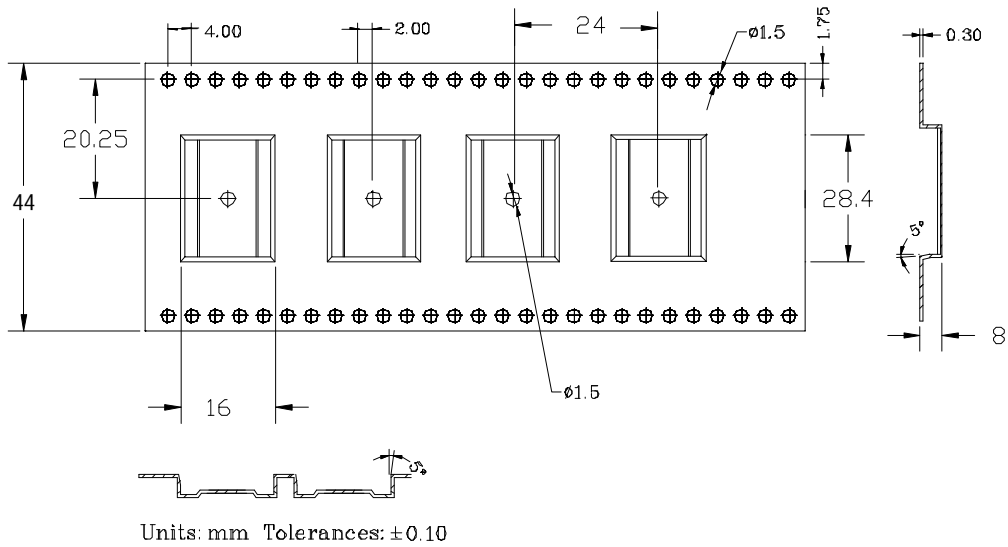
Overseas Operation Office:

Hong Kong Shanghai Shenzhen

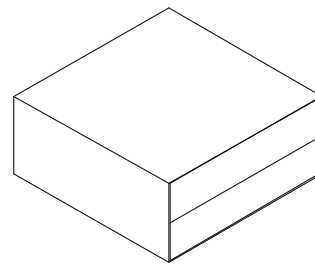
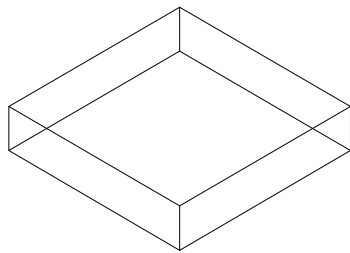


10/100/1000Base-T Dual Port Transformer Module

P/N: NS604804

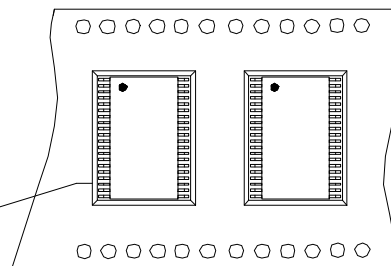
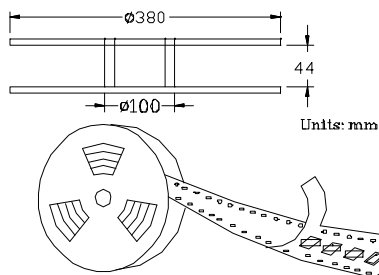


REEL MECHANICAL DIMENSION



INNER CARTON: 390(L)x390(W)x100(H)

EXPORT CARTON: 410(L)x410(W)x250(H)



1. ONE ROLL: 400PCS
2. TWO ROLL BOX: 800 PCS
3. TWO BOX CARTON: 1600PCS

Headquarter: 13F, No. 111-5, Hsing Te Rd., Sun Chung City, Taipei Taiwan R.O.C.
 TEL: +886-2-85123848 FAX: +886-2-85123862
 Overseas Operation Office:
 Hong Kong Shanghai Shenzhen