



10/100/1000Base-T Single Port Transformer Module

P/N: NS692417

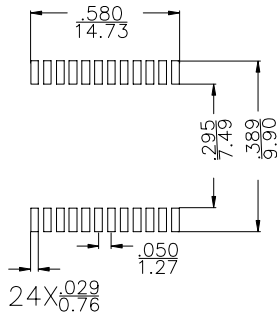
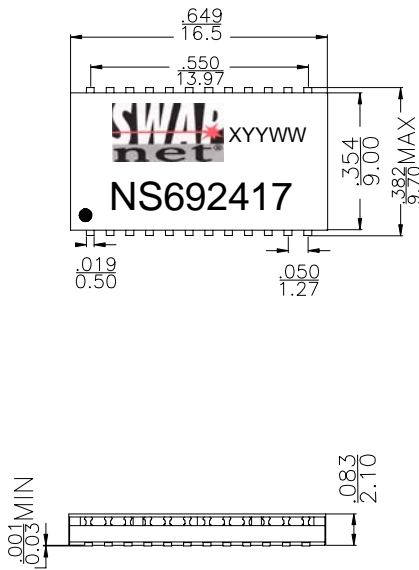
- ★ Designed to meet IEEE802.3ab requirement
- ★ Lead-Free & Designed to meet RoHS requirement
- ★ Designed to meet IR 255°C peak Requirement.
- ★ Primary inductance 350μH min.
- ★ Single Port for NIC Application
- ★ Operating temperature range: 0°C to +70°C
- ★ Storage temperature range: 0°C to +85°C

Electrical Specifications @25°C

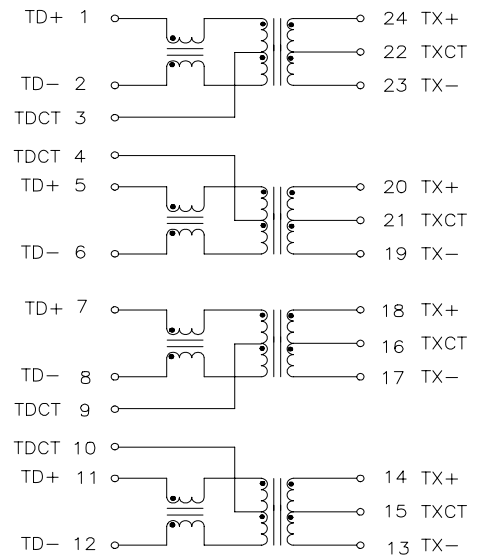
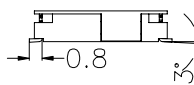
Part Number	Turn Ratio	Insertion Loss 1~100MHz (dB Max)	Return Loss (dB Min)					Cross Talk (dB Min)			DCMR (dB Min)			Hi-Pot (Vrms Min)
			1-30MHz	40MHz	50MHz	60-80MHz	100MHz	30MHz	60MHz	100MHz	30MHz	60MHz	100MHz	
NS692417	1CT: 1CT	-1.0	-18	-16	-16	-12	-10	-45	-40	-35	-43	-37	-33	1500

Mechanical

Schematics



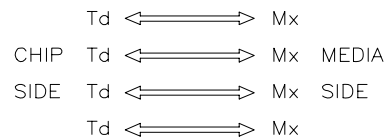
SUGGESTED PCB PAD LAYOUT



Dimensions: Inches/mm

Unless otherwise specified, tolerances: xx.x0 ± 0.25(mm)

0.xx ± 0.10(mm)



LEGEND

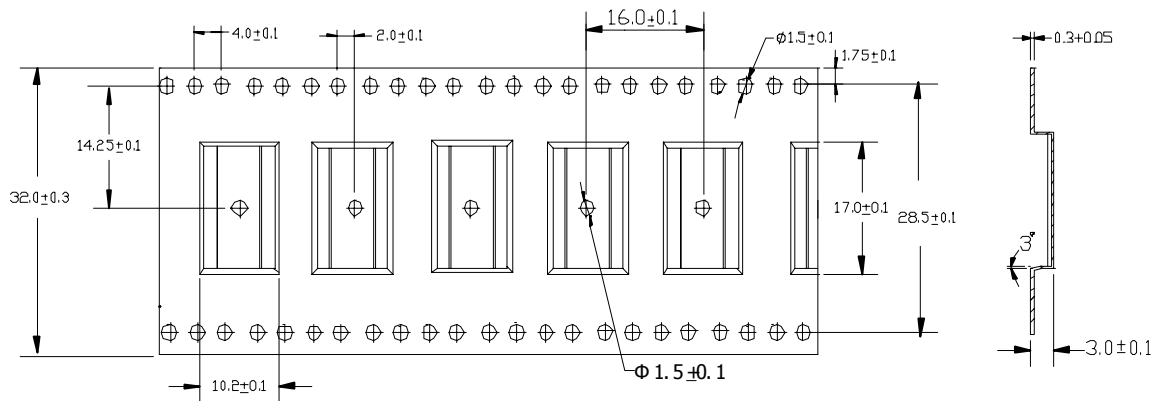
Data sheet subject to change without notice

Headquarter: 13F, No. 111-5, Hsing Te Rd., Sun Chung City, Taipei Taiwan R.O.C.
 TEL: +886-2-85123848 FAX: +886-2-85123862
 Overseas Operation Office:
 Hong Kong Shanghai Shenzhen



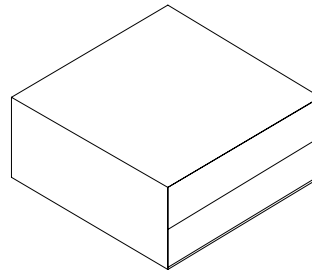
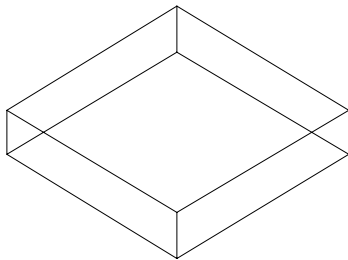
10/100/1000Base-T Single Port Transformer Module

P/N: NS692417



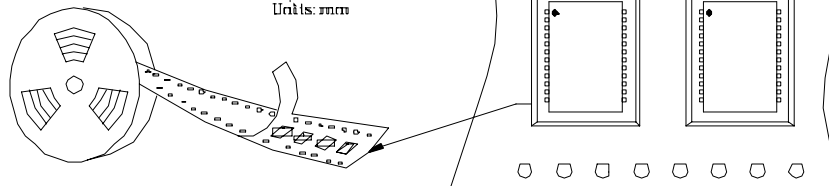
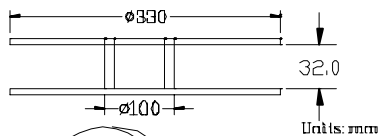
Units:mm Tolerances: ±0.10

REEL MECHANICAL DIMENSION



INNER CARTON:340(L) x340(W)x100(H)

EXPORT CARTON:360(L) x360(W)x250(H)



1. ONE ROLL:1500PCS
2. TWO ROLL BOX:3000PCS
3. TWO BOX CARTON:6000PCS

Headquarter: 13F, No. 111-5, Hsing Te Rd., Sun Chung City, Taipei Taiwan R.O.C.
 TEL: +886-2-85123848 FAX: +886-2-85123862
 Overseas Operation Office:
 Hong Kong Shanghai Shenzhen