



**PROPRIETARY NOTE**

THIS SPECIFICATION IS THE PROPERTY OF BOEDT AND SHALL NOT BE REPRODUCED OR COPIED WITHOUT THE WRITTEN PERMISSION OF BOEDT AND MUST BE RETURNED TO BOEDT UPON ITS REQUEST

SPEC. NUMBER

PRODUCT GROUP  
TFT-LCD

Rev.O

ISSUE DATE

PAGE  
1 OF 21

**TITLE : NT116WHM-N23 Preliminary  
Product Specification Rev.O**

Beijing BOE Display Technology Co., Ltd



**PRODUCT GROUP**

REV

ISSUE DATE

TFT- LCD PRODUCT

O

SPEC. NUMBER

NT116WHQ-N23 Preliminary Product Specification  
Rev.0

PAGE  
2 OF 31

**REVISION HISTORY**

REV.	ECN No.	DESCRIPTION OF CHANGES	DATE	PREPARED
0		Initial Release	2015.2.4	解宇



## Contents

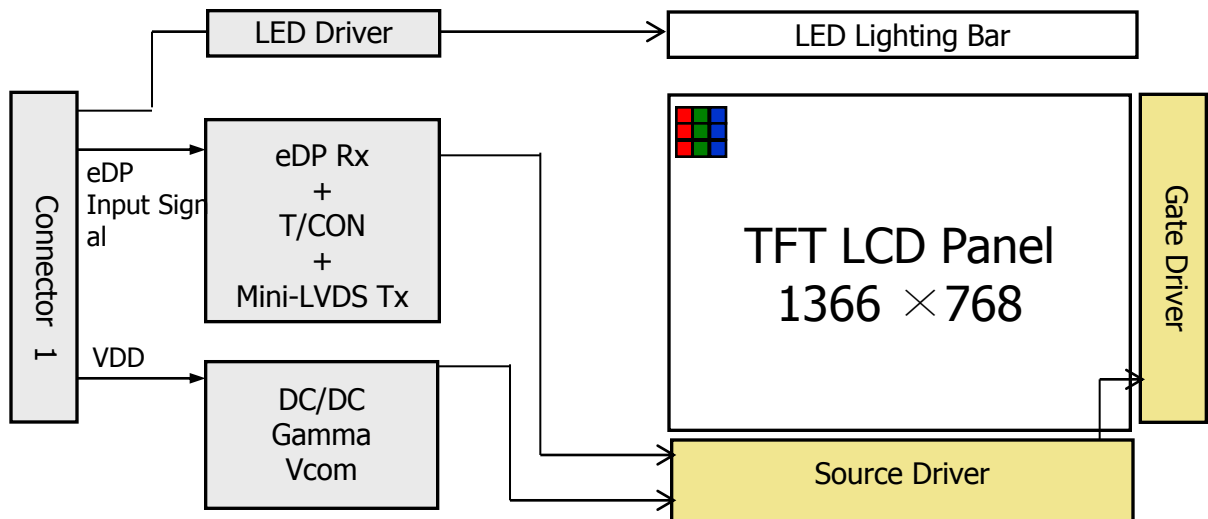
No.	Items	Page
1.0	General Description	4
2.0	Absolute Maximum ratings	6
3.0	Electrical specifications.	7
4.0	Optical specifications.	9
5.0	Interface Connection	14
6.0	Signal Timing Specification	18
7.0	Signal Timing waveforms	20
8.0	Input Signals, Display Colors & Gray Scale of Colors	22
9.0	Power Sequence	23
10.0	Connector description	24
11.0	Mechanical Characteristics	25
12.0	Reliability Test	26
13.0	Handling & Cautions.	26
14.0	Label	27
15.0	Packing information	29
16.0	Mechanical Outline Dimension	30
17.0	EDID Table	32

## 1.0 GENERAL DESCRIPTION

### 1.1 Introduction

NT116WHM-N23 is a color active matrix TFT LCD single cell using amorphous silicon TFT's (Thin Film Transistors) as an active switching devices. This module has a 11.6inch diagonally measured active area with WXGA resolutions ( 1366 horizontal by 768 vertical pixel array). Each pixel is divided into RED, GREEN, BLUE dots which are arranged in vertical stripe and this module can display 262,144 colors. The TFT-LCD panel used for this module is adapted for a low reflection and higher color type. Therefore, this module is suitable for Notebook PC. The LED Driver for back-light driving is built in this model.

All input signals are eDP interface compatible.



### 1.2 Features

- 1 lane eDP Interface with 2.7Gbps Link Rates
- Thin and light weight
- 6-bit color depth, display 262K colors
- Single LED Lighting Bar. (Top side/Horizontal Direction)
- Data enable signal mode
- Side Mounting Frame
- Green Product (RoHS & Halogen free product)
- On board LED Driving circuit
- Low driving voltage and low power consumption
- On board EDID chip

### 1.3 Application

- Notebook PC (Wide type)

### 1.4 General Specification

The followings are general specifications at the Module NT116WHM-N23.

<Table 1. General Specifications>

Parameter	Specification	Unit	Remarks
Active area	256.125 (H) × 144.00 (V)	mm	
Number of pixels	1366 (H) × 768 (V)	pixels	
Pixel pitch	0.1875(H) × 0.1875(V)	mm	
Pixel arrangement	RGB Vertical stripe		
Display colors	262K	colors	
Display mode	Normally White		
Dimensional outline	268.5(H)*157.8(V)*3(Max)	mm	
Weight	210(Max.)	g	
Surface treatment	3H,Glare		
Back-light	Upper edge side, 1-LED Lighting Bar type		Note 1
Power consumption	P <sub>D</sub> : 0.7 (max)	W	Note 2
	P <sub>B</sub> L : 1.8 (max)	W	
	P <sub>total</sub> :2.5(max)	W	

Notes : 1. LED Lighting Bar (24\*LED Array)

Notes: 2. Typical Measurement Condition : Mosaic 8X8

## 2.0 ABSOLUTE MAXIMUM RATINGS

The followings are maximum values which, if exceed, may cause faulty operation or damage to the unit. The operational and non-operational maximum voltage and current values are listed in Table 2.

< Table 2. Absolute Maximum Ratings >

Ta=25+/-2°C

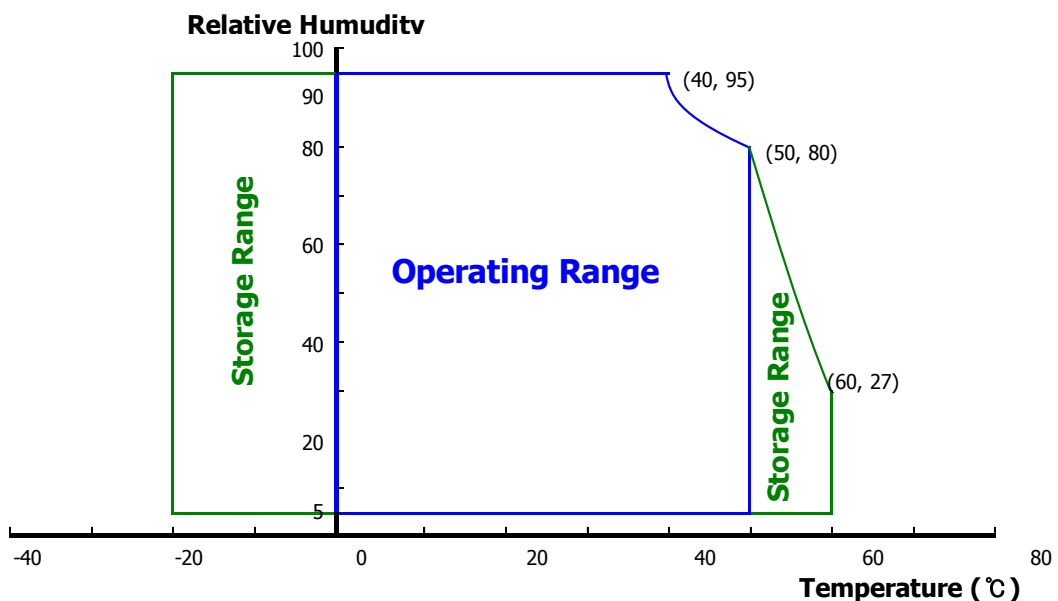
Parameter	Symbol	Min.	Max.	Unit	Remarks
Power Supply Voltage	V <sub>DD</sub>	-0.3	4.0	V	Note 1
Logic Supply Voltage	V <sub>IN</sub>	V <sub>SS</sub> -0.3	V <sub>DD</sub> +0.3	V	
Operating Temperature	T <sub>OP</sub>	0	+50	°C	Note 2
Storage Temperature	T <sub>ST</sub>	-20	+60	°C	

Notes : 1. Permanent damage to the device may occur if maximum values are exceeded functional operation should be restricted to the condition described under normal operating conditions.

2. Temperature and relative humidity range are shown in the figure below.

95 % RH Max. ( 40 °C ≥ Ta)

Maximum wet - bulb temperature at 39 °C or less. (Ta > 40 °C) No condensation.



### 3.0 ELECTRICAL SPECIFICATIONS

#### 3.1 Electrical Specifications

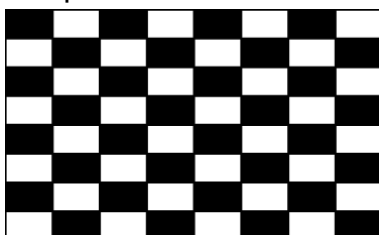
< Table 4. Electrical specifications >

Ta=25+/-2°C

Parameter		Min.	Typ.	Max.	Unit	Remarks
Power Supply Voltage	V <sub>DD</sub>	3.0	3.3	3.6	V	Note 1
Permissible Input Ripple Voltage	V <sub>RF</sub>	-	-	100	mV	At V <sub>DD</sub> = 3.3V
Power Supply Current	I <sub>DD</sub>	-	212	-	mA	Note 1
Positive-going Input Threshold Voltage	V <sub>IT+</sub>	-	-	100	mV	V <sub>cm</sub> = 1.2V typ.
Negative-going Input Threshold Voltage	V <sub>IT-</sub>	-100	-	-	mV	
Differential Input Voltage	V <sub>ID</sub>	380	-	1200	mV	
Power Consumption	P <sub>D</sub>	-	-	0.7	W	Note 1
	P <sub>BL</sub>	-	-	1.8	W	Note 2
	P <sub>total</sub>	-	-	2.5	W	

Notes : 1. The supply voltage is measured and specified at the interface connector of LCM.  
The current draw and power consumption specified is for 3.3V at 25°C.

- a) Typ : Cross Talk 255 Pattern
- b) Max : 8X8checkboard pattern



2. Calculated value for reference (V<sub>LED</sub> × I<sub>LED</sub>)

### 3.2 Backlight Unit

< Table 5. LED Driving guideline specifications >

Ta=25+/-2°C

Parameter		Min.	Typ.	Max.	Unit	Remarks
LED Forward Voltage	$V_F$	-	-	3.0	V	-
LED Forward Current	$I_F$	-	21.6		mA	-
LED Power Consumption	$P_{LED}$		-	1.8	W	Note 1
LED Life-Time	N/A	15,000	-	-	Hour	$I_F = 20mA$
Power supply voltage for LED Driver	$V_{LED}$	5	12	21	V	
EN Control Level	Backlight on	2.2		5.0	V	
	Backlight off	0		0.6	V	
PWM Control Level	PWM High Level	2.2		5.0	V	
	PWM Low Level	0		0.6	V	
PWM Control Frequency	$F_{PWM}$	120	-	10,000	Hz	
Duty Ratio	-	1	-	100	%	

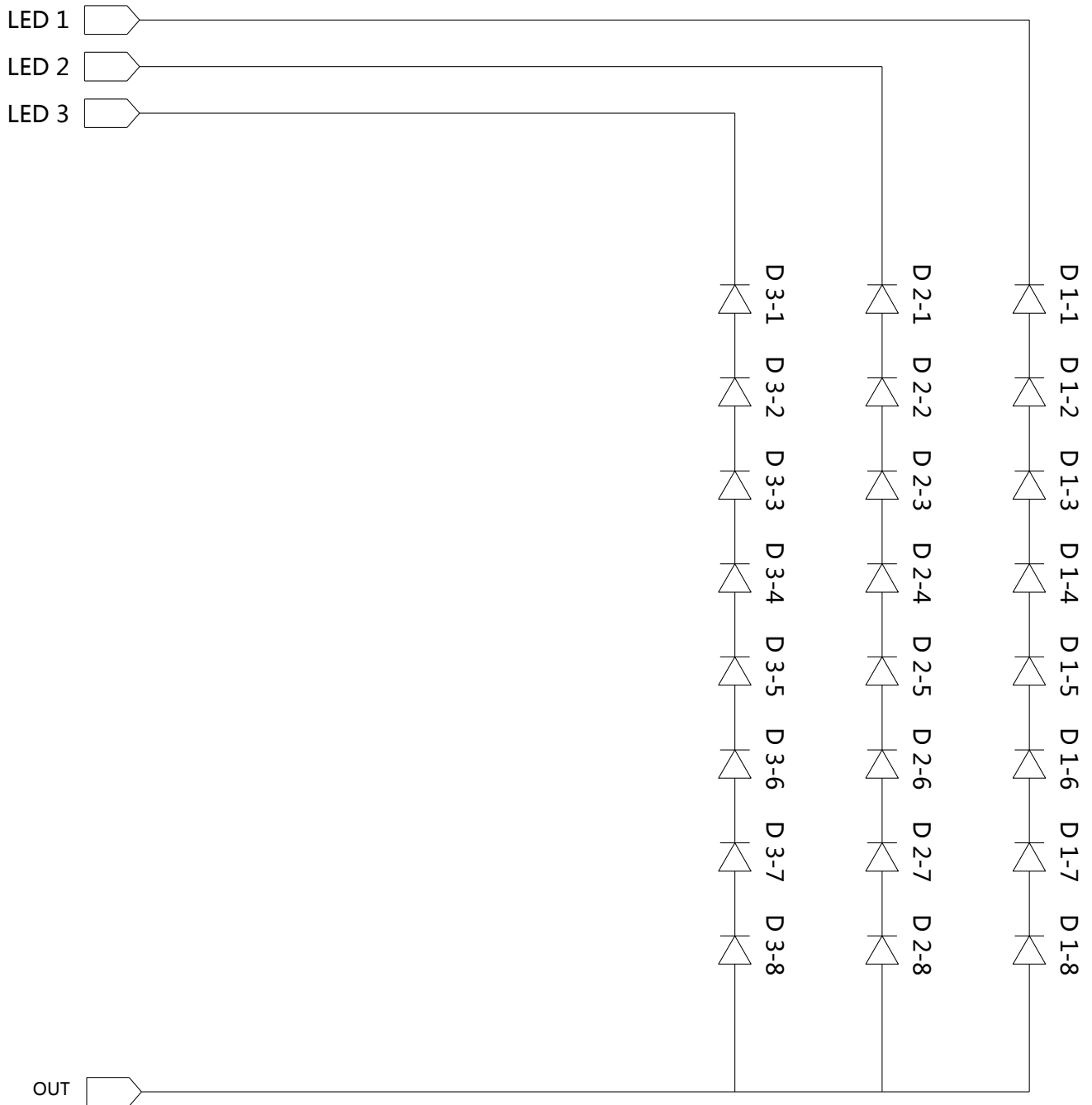
Notes : 1. Power supply voltage 12V for LED Driver, Driver efficiency 87%,

Calculator Value for reference  $I_F \times V_F \times 24 / 0.87 = P_{LED}$

2. The LED Life-time define as the estimated time to 50% degradation of initial luminous.



**3.3 LED structure 3\*8**



## 4.0 OPTICAL SPECIFICATION

### 4.1 Overview

The test of Optical specifications shall be measured in a dark room (ambient luminance  $\leq 1$  lux and temperature =  $25 \pm 2^\circ\text{C}$ ) with the equipment of Luminance meter system (Goniometer system and PR 730) and test unit shall be located at an approximate distance 50cm from the LCD surface at a viewing angle of  $\theta$  and  $\Phi$  equal to  $0^\circ$ . We refer to  $\theta\emptyset=0$  ( $=\theta_3$ ) as the 3 o'clock direction (the "right"),  $\theta\emptyset=90$  ( $=\theta_{12}$ ) as the 12 o'clock direction ("upward"),  $\theta\emptyset=180$  ( $=\theta_9$ ) as the 9 o'clock direction ("left") and  $\theta\emptyset=270$  ( $=\theta_6$ ) as the 6 o'clock direction ("bottom"). While scanning  $\theta$  and/or  $\emptyset$ , the center of the measuring spot on the Display surface shall stay fixed. The backlight should be operating for 30 minutes prior to measurement. VDD shall be  $3.3 \pm 0.3\text{V}$  at  $25^\circ\text{C}$ . Optimum viewing angle direction is 6 'clock.

### 4.2 Optical Specifications

<Table 6. Optical Specifications>

Parameter		Symbol	Condition	Min.	Typ.	Max.	Unit	Remark
Viewing Angle range	Horizontal	$\theta_3$	CR > 10	40	45	-	Deg.	Note 1
		$\theta_9$		40	45	-	Deg.	
	Vertical	$\theta_{12}$		15	20	-	Deg.	
		$\theta_6$		30	40	-	Deg.	
Luminance Contrast ratio		CR	$\Theta = 0^\circ$	380	500			Note 2
Luminance of White	5 Points	$Y_w$	$\Theta = 0^\circ$ $I_{LED} = 21.6\text{mA}$	187	220	-	$\text{cd/m}^2$	Note 3
White Luminance uniformity	5 Points	$\Delta Y_5$		80%	-	-		Note 4
	13 Points	$\Delta Y_{13}$	65%	-	-			
White Chromaticity		$x_w$	$\Theta = 0^\circ$	0.283	0.313	0.343		Note 5
		$y_w$		0.299	0.329	0.359		
Reproduction of color	Red	$x_R$	$\Theta = 0^\circ$	Typ-0.03	0.58	Typ+0.03		
		$y_R$			0.357			
	Green	$x_G$			0.343			
		$y_G$			0.58			
	Blue	$x_B$			0.162			
		$y_B$			0.11			
Color Gamut				-	45	-	%	
Response Time (Rising + Falling)		$T_{RT}$	$T_a = 25^\circ\text{C}$ $\Theta = 0^\circ$	-	12	16	ms	Note 6
Cross Talk		CT	$\Theta = 0^\circ$	-	-	2.0	%	Note 7

**Notes :**

1. Viewing angle is the angle at which the contrast ratio is greater than 10. The viewing angles are determined for the horizontal or 3, 9 o'clock direction and the vertical or 6, 12 o'clock direction with respect to the optical axis which is normal to the LCD surface (see FIGURE 1).

2. Contrast measurements shall be made at viewing angle of  $\Theta = 0$  and at the center of the LCD surface. Luminance shall be measured with all pixels in the view field set first to white, then to the dark (black) state .  
(see FIGURE 1) Luminance Contrast Ratio (CR) is defined mathematically.

$$CR = \frac{\text{Luminance when displaying a white raster}}{\text{Luminance when displaying a black raster}}$$

3. (with TP) Center Luminance of white is defined as luminance values of 5 point average across the LCD surface. Luminance shall be measured with all pixels in the view field set first to white. This measurement shall be taken at the locations shown in FIGURE 2 for a total of the measurements per display.

4. The White luminance uniformity on LCD surface is then expressed as :  $\Delta Y = \text{Minimum Luminance of 5(or 13) points} / \text{Maximum Luminance of 5(or 13) points}$ .  
(see FIGURE 2 and FIGURE 3).

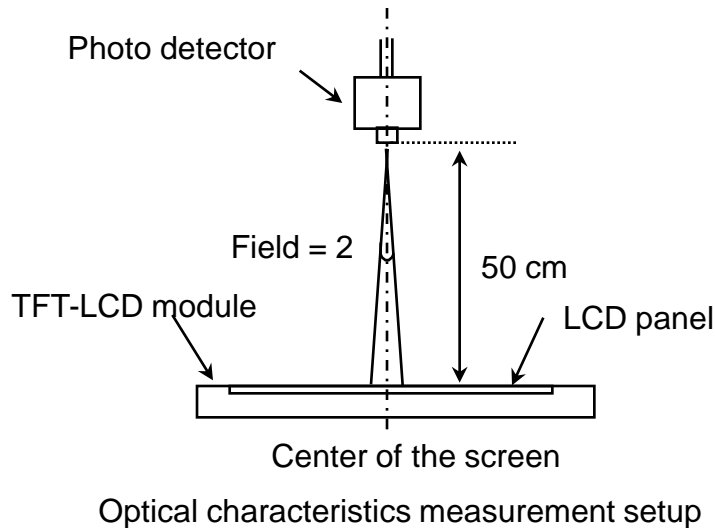
5. The color chromaticity coordinates specified in Table 5 shall be calculated from the spectral data measured with all pixels first in red, green, blue and white. Measurements shall be made at the center of the panel.

6. The electro-optical response time measurements shall be made as FIGURE 4 by switching the "data" input signal ON and OFF. The times needed for the luminance to change from 10% to 90% is  $T_r$ , and 90% to 10% is  $T_d$ .

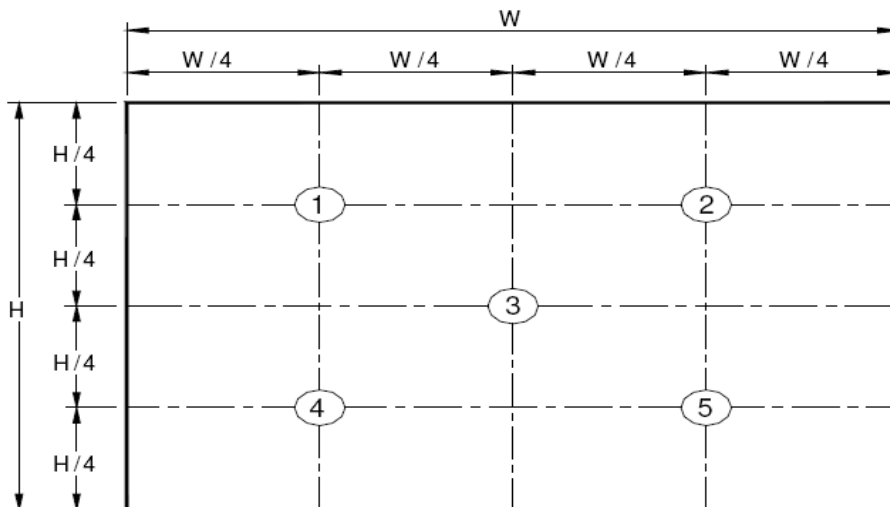
7. Cross-Talk of one area of the LCD surface by another shall be measured by comparing the luminance (YA) of a 25mm diameter area, with all display pixels set to a gray level, to the luminance (YB) of that same area when any adjacent area is driven dark.  
(See FIGURE 5).

### 4.3 Optical measurements

**Figure 1. Measurement Set Up**

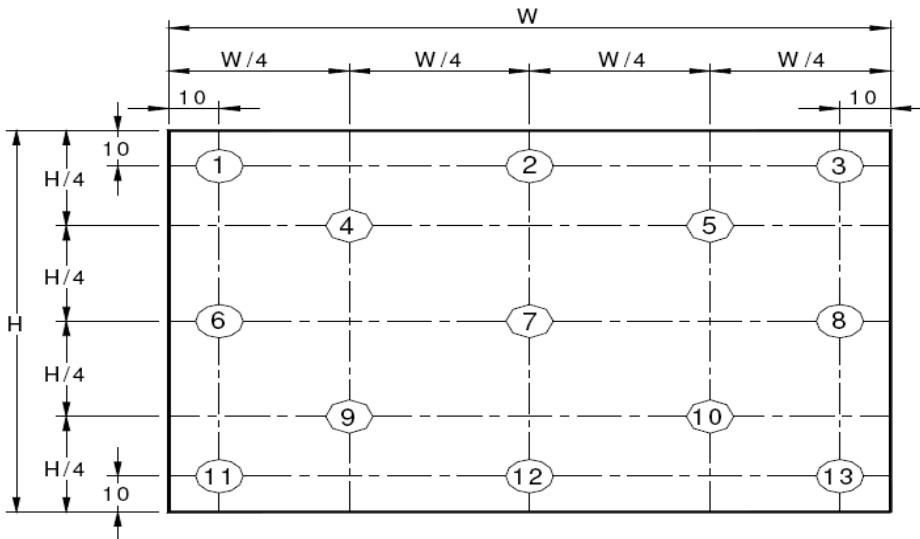


**Figure 2. White Luminance and Uniformity Measurement Locations (5 points)**



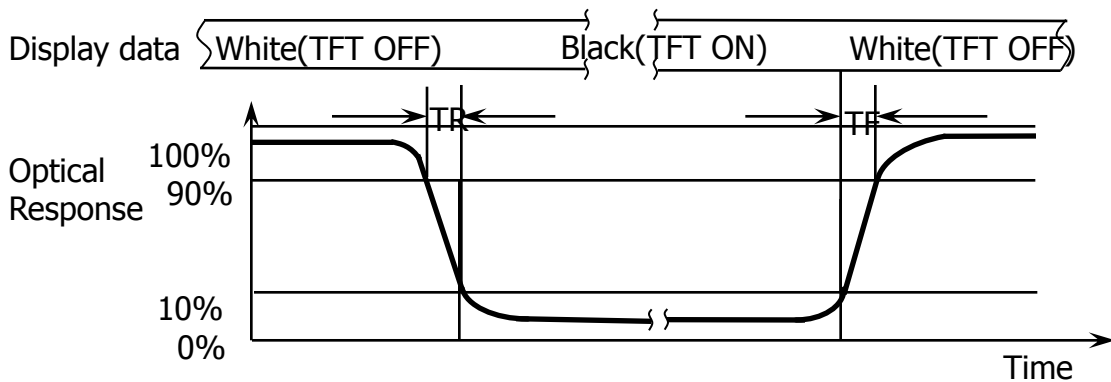
Center Luminance of white is defined as luminance values of center 5 points across the LCD surface. Luminance shall be measured with all pixels in the view field set first to white. This measurement shall be taken at the locations shown in FIGURE 2 for a total of the measurements per display.

**Figure 3. Uniformity Measurement Locations (13 points)**

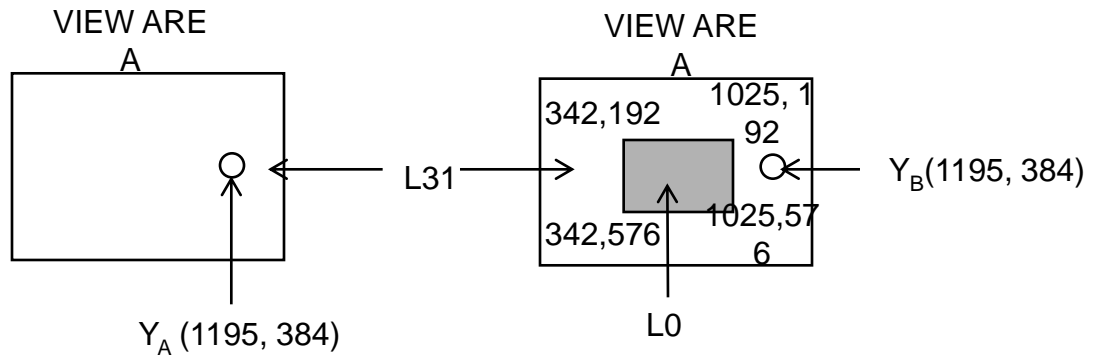


The White luminance uniformity on LCD surface is then expressed as :  $\Delta Y_5 = \text{Minimum Luminance of five points} / \text{Maximum Luminance of five points}$  (see FIGURE 2) ,  $\Delta Y_{13} = \text{Minimum Luminance of 13 points} / \text{Maximum Luminance of 13 points}$  (see FIGURE 3).

**Figure 4. Response Time Testing**



The electro-optical response time measurements shall be made as shown in FIGURE 4 by switching the “data” input signal ON and OFF. The times needed for the luminance to change from 10% to 90% is  $T_d$  and 90% to 10% is  $T_r$ .

**Figure 5. Cross Modulation Test Description**


$$\text{Cross-Talk (\%)} = \left| \frac{Y_B - Y_A}{Y_A} \right| \times 100$$

Where:

$Y_A$  = Initial luminance of measured area ( $\text{cd/m}^2$ )

$Y_B$  = Subsequent luminance of measured area ( $\text{cd/m}^2$ )

The location measured will be exactly the same in both patterns

Cross-Talk of one area of the LCD surface by another shall be measured by comparing the luminance ( $Y_A$ ) of a 25mm diameter area, with all display pixels set to a gray level, to the luminance ( $Y_B$ ) of that same area when any adjacent area is driven dark (Refer to FIGURE 5).

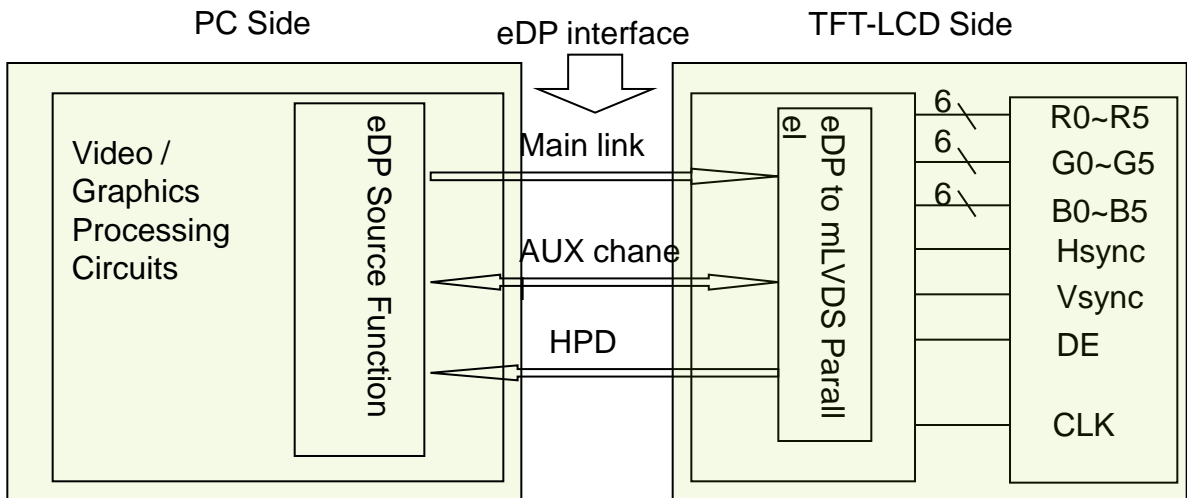
**5.0 INTERFACE CONNECTION.**
**5.1 Electrical Interface Connection**

The electronics interface connector is STM. The mating connector part number is I-PEX 20454-030T The connector interface pin assignments are listed in Table 6.

<Table 6. Pin Assignments for the Interface Connector>

<b>Terminal</b>	<b>Symbol</b>	<b>Functions</b>
Pin No.	Symbol	Description
1	CABC_ENABLE	test enable
2	H_GND	Ground
3	NC	No Connection
4	NC	No Connection
5	H_GND	Ground
6	LANE0_N	eDP RX channel 0 negative
7	LANE0_P	eDP RX channel 0 positive
8	H_GND	Ground
9	AUX_CH_P	eDP AUX CH positive
10	AUX_CH_N	eDP AUX CH negative
11	H_GND	Ground
12	LCD_VCC	Power Supply, 3.3V (typ.)
13	LCD_VCC	Power Supply, 3.3V (typ.)
14	LCD_Self_Test	Panel self test enable
15	H_GND	Ground
16	H_GND	Ground
17	HPD	Hot plug detect output
18	BL_GND	LED Ground
19	BL_GND	LED Ground
20	BL_GND	LED Ground
21	BL_GND	LED Ground
22	BL_ENABLE	LED enable pin(+3.3V Input)
23	BL_PWM	System PWM Signal Input
24	NC	No Connection
25	COLOR_ENABLE	test enable
26	BL_POWER	LED Power Supply 5V-21V
27	BL_POWER	LED Power Supply 5V-21V
28	BL_POWER	LED Power Supply 5V-21V
29	BL_POWER	LED Power Supply 5V-21V
30	NC	No Connection

## 5.2. eDP Interface



Note. Transmitter : Parade DP501 or equivalent.  
Transmitter is not contained in Module.



### 5.3.eDP Input signal

Lane0	
R0-5:0	G0-5:4
G0-3:0	B0-5:2
B0-1:0	R1-5:0
G1-5:0	B1-5:4
B1-3:0	R2-5:2
R2-1:0	G2-5:0
B2-5:0	R3-5:4
R3-3:0	G3-5:2
G3-1:0	B3-5:0

### 5.4 Back-light & LCM Interface Connection

Interface Connector: PF040-B09B-C09

<Table 7. Pin Assignments for the BLU & LCM Connector>

Pin No.	Symbol	Description	Pin No.	Symbol	Description
1	LED1	LED cathode connection	6	NC	No Connection
2	LED2	LED cathode connection	7	Vout	LED anode connection
3	LED3	LED cathode connection	8	Vout	LED anode connection
4	NC	No Connection	9	Vout	LED anode connection
5	NC	No Connection			

**6.0 SIGNAL TIMING SPECIFICATION**
**6.1 The NT116WHM-N23 is operated by the DE only.**

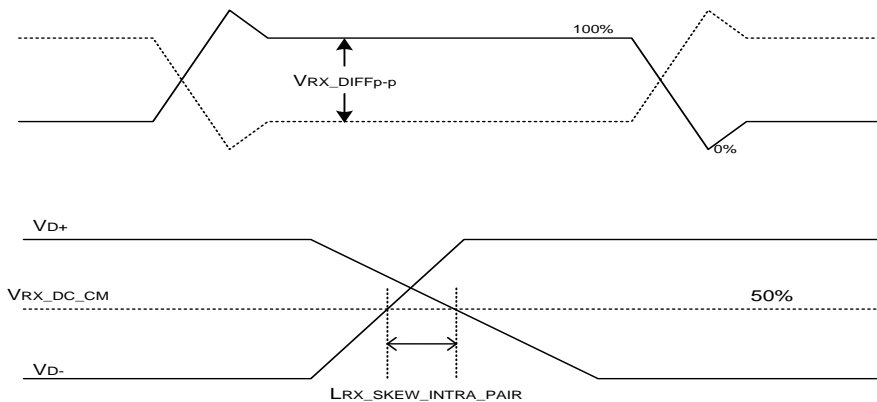
Item		Symbols	Min	Typ	Max	Unit
Clock	Frequency	1/Tc	67.5	70.12	76.3	MHz
	High Time	Tch	-	4/7	-	Tc
	Low Time	Tcl	-	3/7	-	Tc
Frame Period		Tv	778	787	802	lines
			-	60	-	Hz
			-	16.7	-	ms
Vertical Display Period		Tvd	768	768	768	lines
One line Scanning Period		Th	1446	1485	1586	clocks
Horizontal Display Period		Thd	1366	1366	1366	clocks

### 6.2 eDP Rx Interface Timing Parameter

The specification of the eDP Rx interface timing parameter is shown in Table 9.

<Table 9. eDP Rx Interface Timing Specification>

Item	Symbol	Min	Typ	Max	Unit	Remark
Spread spectrum clock	SSC		0.5		%	
Differential peak-to-peak input voltage at package pins	VRX-DIFFp-p	100	0	1320	mV	
Rx input DC common mode voltage	VRX_DC_CM	-	GND	-	V	
Differential termination resistance	RRX-DIFF	80	100	120	$\Omega$	
Single-ended termination resistance	RRX-SE	40	50	60	$\Omega$	
Rx short circuit current limit	IRX_SHORT	-	-	20	mA	
Intra-pair skew at Rx package pins (HBR) RX intra-pair skew tolerance at HBR	LRX_SKEW_INTRA_PAIR	-	-	150	ps	

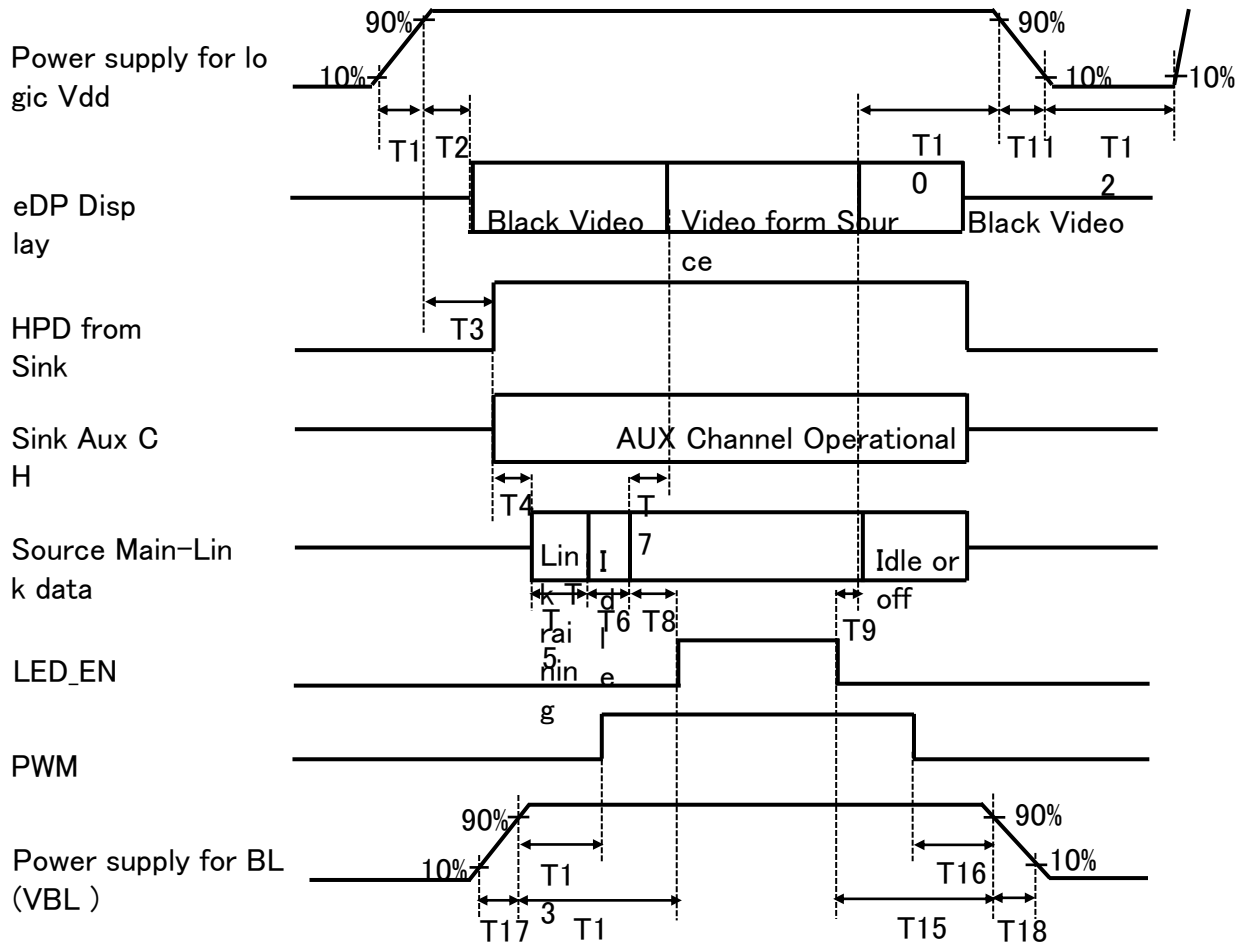


**7.0 INPUT SIGNALS, BASIC DISPLAY COLORS & GRAY SCALE OF COLORS**

	Colors & Gray scale	Data signal																	
		R0	R1	R2	R3	R4	R5	G0	G1	G2	G3	G4	G5	B0	B1	B2	B3	B4	B5
Basic colors	Black	0	0	0	0	0	0	0	0	0	0	0	0	0	0	0	0	0	0
	Blue	0	0	0	0	0	0	0	0	0	0	0	0	1	1	1	1	1	1
	Green	0	0	0	0	0	0	1	1	1	1	1	1	0	0	0	0	0	0
	Light Blue	0	0	0	0	0	0	1	1	1	1	1	1	1	1	1	1	1	1
	Red	1	1	1	1	1	1	0	0	0	0	0	0	0	0	0	0	0	0
	Purple	1	1	1	1	1	1	0	0	0	0	0	0	1	1	1	1	1	1
	Yellow	1	1	1	1	1	1	1	1	1	1	1	1	0	0	0	0	0	0
	White	1	1	1	1	1	1	1	1	1	1	1	1	1	1	1	1	1	1
Gray scale of Red	Black	0	0	0	0	0	0	0	0	0	0	0	0	0	0	0	0	0	0
	△	1	0	0	0	0	0	0	0	0	0	0	0	0	0	0	0	0	0
	Darker	0	1	0	0	0	0	0	0	0	0	0	0	0	0	0	0	0	0
	△	↑			↓			↑			↓			↑			↓		
	▽	↓			↑			↓			↑			↓			↑		
	Brighter	1	0	1	1	1	1	0	0	0	0	0	0	0	0	0	0	0	0
	▽	0	1	1	1	1	1	0	0	0	0	0	0	0	0	0	0	0	0
Red	1	1	1	1	1	1	0	0	0	0	0	0	0	0	0	0	0	0	
Gray scale of Green	Black	0	0	0	0	0	0	0	0	0	0	0	0	0	0	0	0	0	0
	△	0	0	0	0	0	0	1	0	0	0	0	0	0	0	0	0	0	0
	Darker	0	0	0	0	0	0	0	1	0	0	0	0	0	0	0	0	0	0
	△	↑			↓			↑			↓			↑			↓		
	▽	↓			↑			↓			↑			↓			↑		
	Brighter	0	0	0	0	0	0	1	0	1	1	1	1	0	0	0	0	0	0
	▽	0	0	0	0	0	0	0	1	1	1	1	1	0	0	0	0	0	0
Green	0	0	0	0	0	0	1	1	1	1	1	1	0	0	0	0	0	0	
Gray scale of Blue	Black	0	0	0	0	0	0	0	0	0	0	0	0	0	0	0	0	0	0
	△	0	0	0	0	0	0	0	0	0	0	0	0	1	0	0	0	0	0
	Darker	0	0	0	0	0	0	0	0	0	0	0	0	0	1	0	0	0	0
	△	↑			↓			↑			↓			↑			↓		
	▽	↓			↑			↓			↑			↓			↑		
	Brighter	0	0	0	0	0	0	0	0	0	0	0	0	1	0	1	1	1	1
	▽	0	0	0	0	0	0	0	0	0	0	0	0	0	1	1	1	1	1
Blue	0	0	0	0	0	0	0	0	0	0	0	0	1	1	1	1	1	1	
Gray scale of White & Black	Black	0	0	0	0	0	0	0	0	0	0	0	0	0	0	0	0	0	0
	△	1	0	0	0	0	0	1	0	0	0	0	0	1	0	0	0	0	0
	Darker	0	1	0	0	0	0	0	1	0	0	0	0	0	1	0	0	0	0
	△	↑			↓			↑			↓			↑			↓		
	▽	↓			↑			↓			↑			↓			↑		
	Brighter	1	0	1	1	1	1	1	0	1	1	1	1	1	0	1	1	1	1
▽	0	1	1	1	1	1	0	1	1	1	1	1	0	1	1	1	1	1	
White	1	1	1	1	1	1	1	1	1	1	1	1	1	1	1	1	1	1	

## 8.0 POWER SEQUENCE

To prevent a latch-up or DC operation of the LCD module, the power on/off sequence shall be as shown in below



- |                      |                      |
|----------------------|----------------------|
| ● 0.5ms ≤ T1 ≤ 10 ms | 4 ● 0ms ≤ T7 ≤ 50ms  |
| ● 0ms ≤ T2 ≤ 200 ms  | ● 0ms ≤ T10 ≤ 500 ms |
| ● 0ms ≤ T3 ≤ 200 ms  | ● 0 ms ≤ T11 ≤ 10 ms |
| ● 0ms ≤ T13          | ● 500ms ≤ T12        |
| ● 0ms ≤ T14          | ● 0ms ≤ T15          |
| ● 0ms ≤ T17          | ● 0ms ≤ T16          |
|                      | ● 0ms ≤ T18          |

**Notes:**

- When the power supply VDD is 0V, keep the level of input signals on the low or keep high impedance.
- Do not keep the interface signal high impedance when power is on. Back Light must be turn on after power for logic and interface signal are valid.

## 9.0 Connector Description

Physical interface is described as for the connector on LCM.

These connectors are capable of accommodating the following signals and will be following components.

### 9.1 TFT LCD Module

Connector Name /Description	For Signal Connector
Manufacturer	STM
Type/ Part Number	MSAK24025P30
Mating housing/ Part Number	I-PEX 20454-030T

## 10.0 MECHANICAL CHARACTERISTICS

### 10.1 Dimensional Requirements

FIGURE 6 shows mechanical outlines for the model 11.6 Ultra Slim.  
Other parameters are shown in Table 10.

<Table 10. Dimensional Parameters>

Parameter	Specification	Unit
Active Area	256.125 (H) × 144 (V)	
Number of pixels	1366 (H) X 768 (V)	
Pixel pitch	0.1875 (H) X 0.1875 (V)	
Pixel arrangement	RGB Vertical stripe	
Display colors	262K	
Display mode	Normally white	
Dimensional outline	268 typ.*157.5 typ. (W/O Bracket & PCB)	mm
Weight	210 (max)	gram
Back Light	Connector :PF040-B09B-C09 or Compatible	
	LED, Horizontal-LED Array type	

### 10.2 Mounting

See FIGURE 6.

### 10.3 Anti-Glare and Polarizer Hardness.

The surface of the LCD has an AG coating to minimize reflection and a coating to reduce scratching.

### 10.4 Light Leakage

There shall not be visible light from the back-lighting system around the edges of the screen as seen from a distance 50cm from the screen with an overhead light level of 350lux.

## 11.0 RELIABILITY TEST

The Reliability test items and its conditions are shown in below.

<Table 11. Reliability test>

No	Test Items	Conditions
1	High temperature storage test	Ta = 60 °C , 240 hrs
2	Low temperature storage test	Ta = -20 °C , 240 hrs
3	High temperature & high humidity operation test	Ta = 50 °C , 80%RH, 240 hrs
4	High temperature operation test	Ta = 50 °C , 240 hrs
5	Low temperature operation test	Ta = 0 °C , 240 hrs
6	Thermal shock	Ta = -20 °C ↔ 60 °C (0.5 hr), 100 cycle
7	Vibration test (non-operating)	1.5G, 10~500Hz,Half Sine X,Y,Z / Sweep rate : 1 hour
8	Shock test (non-operating)	220G, Half Sine Wave 2msec ± X, ± Y, ± Z Once for each direction
9	Electro-static discharge test (non-operating)	Air : 150 pF, 330Ω, 15 KV Contact : 150 pF, 330Ω, 8 KV

## 12.0 HANDLING & CAUTIONS

### (1) Cautions when taking out the module

- Pick the pouch only, when taking out module from a shipping package.

### (2) Cautions for handling the module

- As the electrostatic discharges may break the LCD module, handle the LCD module with care. Peel a protection sheet off from the LCD panel surface as slowly as possible.
- As the LCD panel and back - light element are made from fragile glass material, impulse and pressure to the LCD module should be avoided.
- As the surface of the polarizer is very soft and easily scratched, use a soft dry cloth without chemicals for cleaning.
- Do not pull the interface connector in or out while the LCD module is operating.
- Put the module display side down on a flat horizontal plane.
- Handle connectors and cables with care.

### (3) Cautions for the operation

- When the module is operating, do not lose CLK, ENAB signals. If any one of these signals is lost, the LCD panel would be damaged.
- Obey the supply voltage sequence. If wrong sequence is applied, the module would be damaged.



**(4) Cautions for the atmosphere**

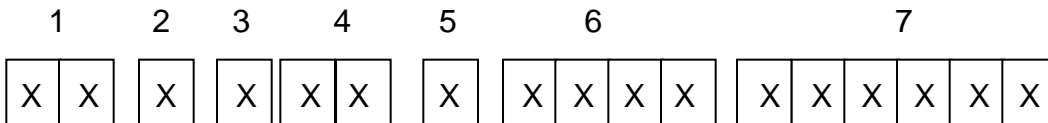
- Dew drop atmosphere should be avoided.
- Do not store and/or operate the LCD module in a high temperature and/or humidity atmosphere. Storage in an electro-conductive polymer packing pouch and under relatively low temperature atmosphere is recommended.

**(5) Cautions for the module characteristics**


- Do not apply fixed pattern data signal to the LCD module at product aging.
- Applying fixed pattern for a long time may cause image sticking.

**(6) Other cautions**

- Do not disassemble and/or re-assemble LCD module.
- Do not re-adjust variable resistor or switch etc.
- When returning the module for repair or etc., Please pack the module not to be broken. We recommend to use the original shipping packages.

**13.0 LABEL**
**(1) Product label**

**Type designation**
**No 5. Month (1, 2, 3, ..., 9, X, Y, Z)**
**No 1. Control Number**
**No 6. Product Identification (FG)**
**No 2. Rank / Grade**
**No 7. Serial Number**
**No 3. Line classification**
**No 4. Year (10 : 2010, 11: 2011, ...)**

**(2) High voltage caution label**

	<b>HIGH VOLTAGE CAUTION</b>	COLD CATHODE FLUORESCENT LAMP IN LCD PANEL CONTAINS A SMALL AMOUNT OF MERCURY. PLEASE FOLLOW LOCAL OR- DINANCES OR REGULATIONS FOR DISPOSAL.
	RISK OF ELECTRIC SHOCK. DISCONNECT THE ELECTRIC POWER BEFORE SERVICING	

**(3) Box label**

Label Size: 110 mm (L) × 56 mm (W)

Contents

Model: NT116WHM-XXX

Q`ty: Module Q`ty in one box

Serial No.: Box Serial No. See next figure for detail description.

Date: Packing Date

Internal use of Product



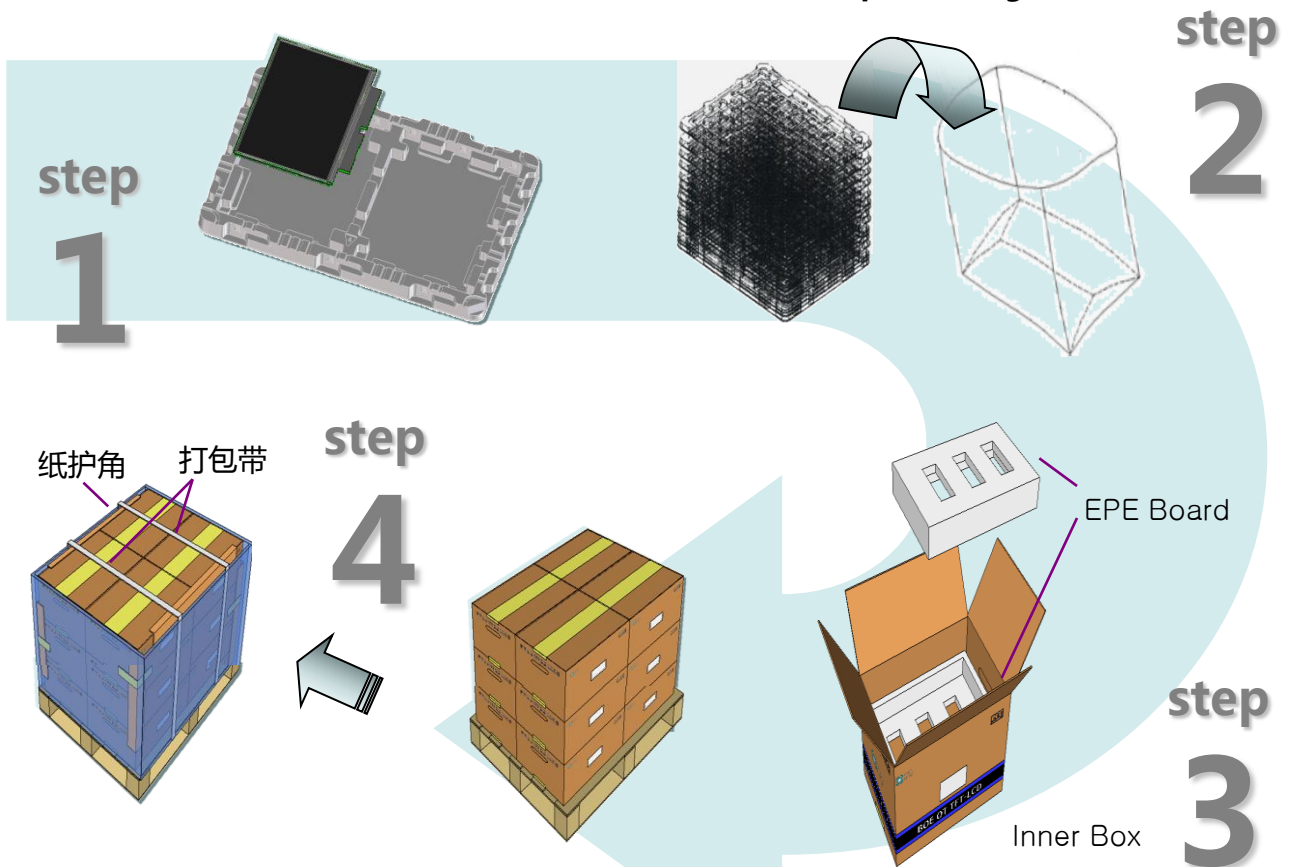
<u>00</u>	<u>0</u>	<u>0</u>	<u>00</u>	<u>0</u>	<u>0000</u>	<u>000000</u>
Type	Grade	Line	Year	Month	Internal use	Serial No

## 14.0 PACKING INFORMATION

### 14.1 Packing order

- 将 2pcs MDL 平放入Tray, Panel 面向上放置
- 容量: 2pcs/Tray

- 将21pcs PET Tray 平放入PE Bag
- 人工方式 ;
- 容量: 40pcs/PE Bag



- 每个Pallet上放3层Box, 1层4箱,共计12ea Box
- Pallet 四边及打包带位置放置纸护角后,以缠绕膜包裹
- 容量: 480pcs/Pallet

- 将PET Tray堆码后平放入Inner Box,上下放置EPE Board
- 人工方式
- 容量 : 40pcs/Inner Box

### 14.2 Notes

- Box Dimension: 496mm(W) x 396mm(D) x 290mm(H)
- Package Quantity in one Box: 20pcs
- Total Weight: TBD

### 15.0 MECHANICAL OUTLINE DIMENSION

Figure 6. TFT-LCD Module Outline Dimension (Front View)

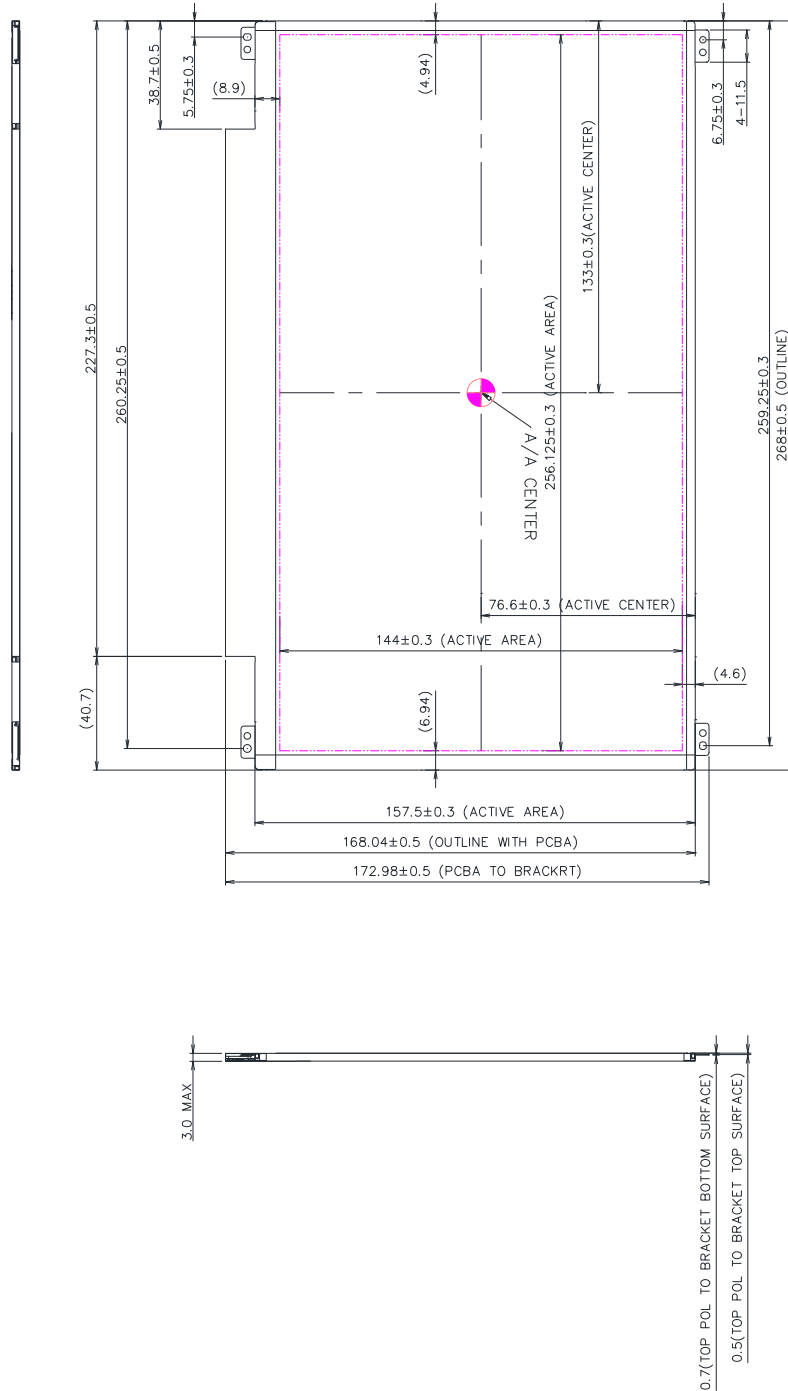
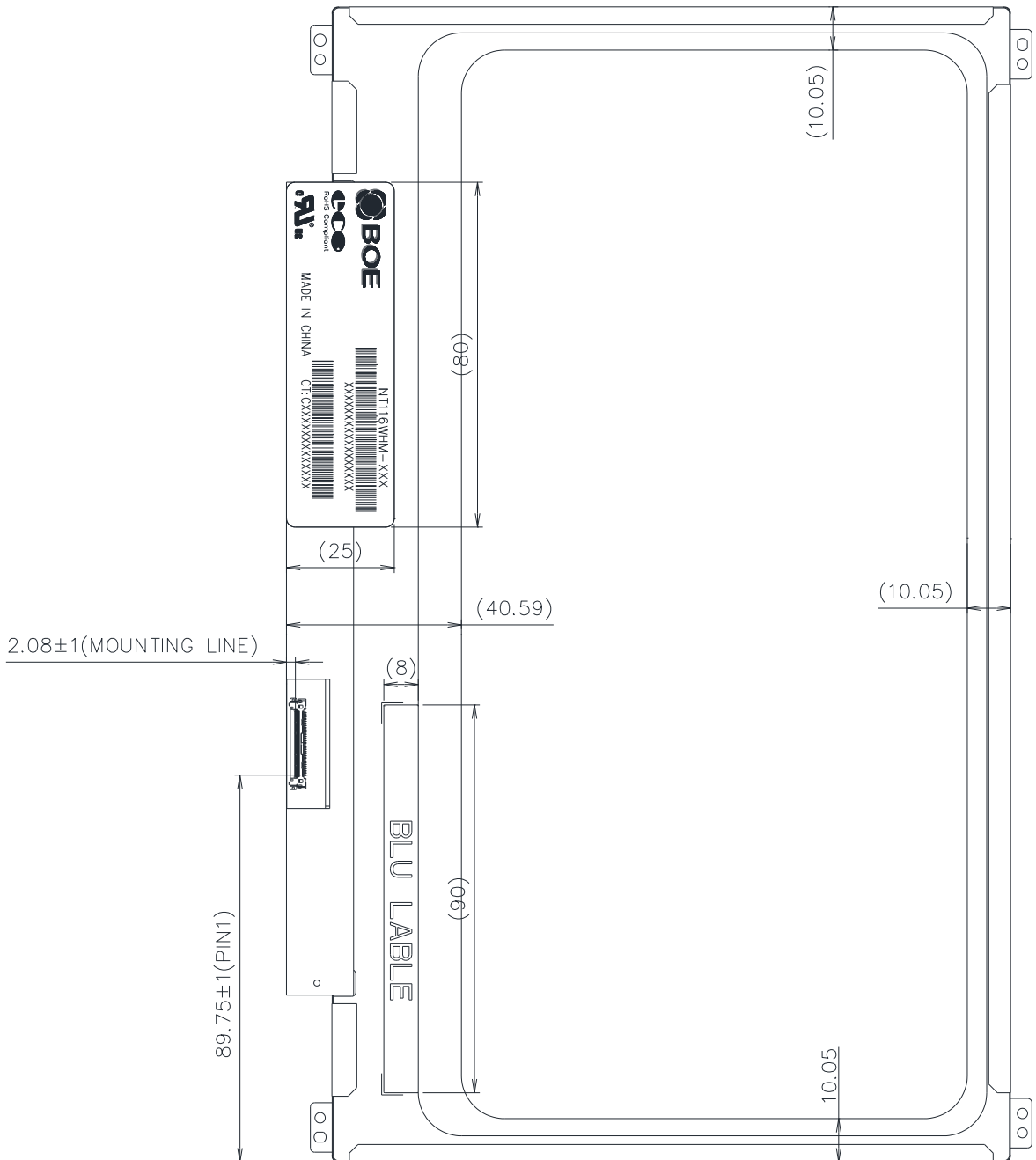


Figure 7. TFT-LCD Module Outline Dimensions (Rear view)



**16.0 EDID Table**

Address (HEX)	Function	Hex	Dec	crc	Input values.	Notes
00	Header	00	0		0	EDID Header
01		FF	255		255	
02		FF	255		255	
03		FF	255		255	
04		FF	255		255	
05		FF	255		255	
06		FF	255		255	
07		00	0		0	
08	ID Manufacturer Name	09	9		BOE	ID = BOE
09		E5	229			
0A	ID Product Code	6B	107		1643	ID = 1643
0B		06	6			
0C	32-bit serial No.	00	0		0	
0D		00	0		0	
0E		00	0		0	
0F		00	0		0	
10	Week of manufacture	01	1		1	
11	Year of Manufacture	19	25		2015	Manufactured in 2015
12	EDID Structure Ver.	01	1		1	EDID Ver 1.0
13	EDID revision #	04	4		4	EDID Rev. 0.4
14	Video input definition	95	149		-	Refer to right table
15	Max H image size	1A	26		26	26 cm (Approx)
16	Max V image size	0E	14		14	14 cm (Approx)
17	Display Gamma	78	120		2.2	Gamma curve = 2.2
18	Feature support	02	2		-	Refer to right table
19	Red/Green low bits	5D	93		-	Red / Green Low Bits
1A	Blue/White low bits	40	64		-	Blue / White Low Bits
1B	Red x high bits	94	148	593	0.58	Red (x) = 10010100 (0.58)
1C	Red y high bits	5B	91	365	0.357	Red (y) = 01011011 (0.357)
1D	Green x high bits	57	87	351	0.343	Green (x) = 01010111 (0.343)
1E	Green y high bits	94	148	593	0.58	Green (y) = 10010100 (0.58)
1F	Blue x high bits	29	41	165	0.162	Blue (x) = 00101001 (0.162)
20	BLue y high bits	1C	28	112	0.11	Blue (y) = 00011100 (0.11)
21	White x high bits	50	80	320	0.313	White (x) = 01010000 (0.313)
22	White y high bits	54	84	336	0.329	White (y) = 01010100 (0.329)
23	Established timing 1	00	0		-	Refer to right table
24	Established timing 2	00	0		-	
25	Established timing 3	00	0		-	
26	Standard timing #1	01	1			Not Used
27		01	1			
28	Standard timing #2	01	1			Not Used
29		01	1			
2A	Standard timing #3	01	1			Not Used
2B		01	1			
2C	Standard timing #4	01	1			Not Used
2D		01	1			
2E	Standard timing #5	01	1			Not Used
2F		01	1			
30	Standard timing #6	01	1			Not Used
31		01	1			
32	Standard timing #7	01	1			Not Used
33		01	1			
34	Standard timing #8	01	1			Not Used
35		01	1			

Address (HEX)	Function	Hex	Dec	crc	Input values.	Notes	
36	Detailed timing/monitor descriptor #1	3E	62		72.3	72.3MHz Main clock	
37		1C	28				
38		56	86		1366	Hor Active = 1366	
39		A0	160		160	Hor Blanking = 160	
3A		50	80		-	4 bits of Hor. Active + 4 bits of Hor. Blanking	
3B		00	0		768	Ver Active = 768	
3C		16	22		22	Ver Blanking = 22	
3D		30	48		-	4 bits of Ver. Active + 4 bits of Ver. Blanking	
3E		30	48		48	Hor Sync Offset = 48	
3F		20	32		32	H Sync Pulse Width = 32	
40		36	54		3	V sync Offset = 3 line	
41		00	0		6	V Sync Pulse width : 6 line	
42		00	0		256	Horizontal Image Size = 256 mm (Low 8 bits)	
43		90	144		144	Vertical Image Size = 144 mm (Low 8 bits)	
44		10	16		-	4 bits of Hor Image Size + 4 bits of Ver Image Size	
45		00	0		0	Hor Border (pixels)	
46		00	0		0	Vertical Border (Lines)	
47		1A	26		-	Refer to right table	
48		Detailed timing/monitor descriptor #2	00	0		0	0MHz Main clock
49			00	0		0	
4A			00	0		0	Hor Active = 0
4B	00		0		0	Hor Blanking = 0	
4C	00		0		-	4 bits of Hor. Active + 4 bits of Hor. Blanking	
4D	00		0		0	Ver Active = 768	
4E	00		0		0	Ver Blanking = 0	
4F	00		0		-	4 bits of Ver. Active + 4 bits of Ver. Blanking	
50	00		0		0	Hor Sync Offset = 0	
51	00		0		0	H Sync Pulse Width = 0	
52	00		0		0	V sync Offset = 0 line	
53	00		0		0	V Sync Pulse width : 0 line	
54	00		0		0	Horizontal Image Size = 0 mm (Low 8 bits)	
55	00		0		0	Vertical Image Size = 0 mm (Low 8 bits)	
56	00		0		-	4 bits of Hor Image Size + 4 bits of Ver Image Size	
57	00		0		0	Hor Border (pixels)	
58	00		0		0	Vertical Border (Lines)	
59	1A		26		-	Refer to right above table	
5A	Detailed timing/monitor descriptor #3		00	0			Indicates descriptor #3 is a display Descriptor
5B			00	0			
5C			00	0			Reserved
5D		FE	254			Tag : ASCII String	
5E		00	0			Reserved	
5F		42	66		B	Manufacture name : BOEDT	
60		4F	79		O		
61		45	69		E		
62		20	32				
63		44	68		D		
64		54	84		T		
65		0A	10				
66		20	32				
67		20	32				
68		20	32				
69		20	32				
6A		20	32				
6B	20	32					
6C	Detailed timing/monitor descriptor #4	00	0		Indicates descriptor #4 is a display Descriptor		
6D		00	0				
6E		00	0		Reserved		
6F		FE	254			Tag : ASCII String	
70		00	0			Reserved	
71		4E	78		N	Model name : NT116WHM-N23	
72		54	84		T		
73		31	49		I		
74		31	49		1		
75		36	54		6		
76		57	87		W		
77	48	72		H			
78	4D	77		M			
79	2D	45		-			
7A	4E	78		N			
7B	32	50		2			
7C	33	51		3			
7D	0A	10					
7E	Extension flag	00	0		1	0 : 1個EDID : N-1 : N個EDID	
7F	Checksum	3D	61	61	-		