



ELECTRONICS, INC.  
 44 FARRAND STREET  
 BLOOMFIELD, NJ 07003  
 (973) 748-5089  
<http://www.nteinc.com>

## NTE1056 Integrated Circuit FM Stereo Multiplex Demodulator

**Description:**

The NTE1056 is a monolithic integrated circuit FM multiplex stereo demodulator designed for use in FM stereos, phonographs and radio receivers. A multiplex stereo demodulator circuit generally consists of four main circuits, a composite signal amplifier, 19KHz pilot signal filter, 38KHz subcarrier generator and either a matrix or a switching circuit which separates the composite signal into the right and left audio channels. In addition to these circuits, an automatic stereo-monaural switching circuit, stereo signal indicator circuit, muting circuit, separation control circuit and SCA circuit are also included as supplemental circuits. The NTE 1056 is designed to include both main stereo demodulator circuits and supplemental circuits on a common monolithic substrate, and is supplied in a 14 lead DIP.

**Features:**

- Separation Control
- On, Off Level Control
- Monoaural Muting
- Either Positive or Negative Grounding are Available

**Absolute Maximum Ratings:** ( $T_A = +25^\circ\text{C}$  unless otherwise specified)

Supply Voltage, $V_{2-12}$ .....	12V
Total Current Consumption, $I_{tot}$ .....	25mA
Total Power Dissipation ( $T_A \leq 75^\circ\text{C}$ ), $P_T$ .....	250mW
Operating Temperature Range, $T_{opr}$ .....	$-20^\circ$ to $+75^\circ\text{C}$
Storage Temperature Range, $T_{stg}$ .....	$-65^\circ$ to $+150^\circ\text{C}$

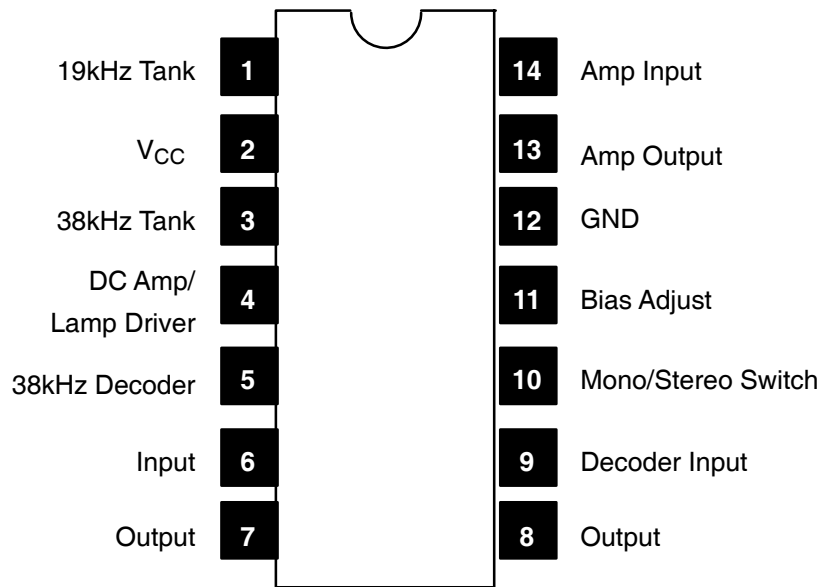
**Electrical Characteristics:** ( $T_A = +25^\circ\text{C}$ ,  $V_{CC} = 9\text{V}$ , unless otherwise specified)

Parameter	Symbol	Test Conditions	Min	Typ	Max	Unit
Supply Voltage	$V_{2-12}$		6	9	12	V
Circuit Current Stereo	$I_{tot}$	$V_{IN} = 300\text{mV}$	6	9	13	mA
Monoaural			6	9	13	mA
Channel Separation $f = 1\text{kHz}$		$V_{IN} = 300\text{mV}$	35	45	-	dB
$f = 10\text{kHz}$			25	29	-	dB
Channel Balance	ch. B	$V_{IN} = 300\text{mV}$	-	-	2	dB
Voltage Gain	$G_V$		-2.5	-1.5	-0.5	dB

**Electrical Characteristics (Cont'd):** ( $T_A = +25^\circ\text{C}$ ,  $V_{CC} = 9\text{V}$ , unless otherwise specified)

Parameter	Symbol	Test Conditions	Min	Typ	Max	Unit
Resistance	$V_{10-12}$	$I_{10-12} = 100\mu\text{A}$	-	3.8	-	$\text{k}\Omega$
Collector-Base Voltage ( $T_1$ )	$V_{13-14}$		18	30	-	V
Emitter-Base Voltage ( $T_2$ )	$V_{1-2}$		5	-	-	V

**Pin Connection Diagram**  
(Front View)



www.DataSheet4U.com

