

NTP-8230

**High Performance, High Fidelity Power
Driver Integrated Full Digital Audio Amplifier**

**Datasheet
Revision 0.1**



General Description

The NTP-8230 is a single chip full digital audio amplifier including power stage for stereo amplifier system. NTP-8230 is integrated with versatile digital audio signal processing functions, high-performance, high-fidelity fully digital PWM modulator, a stereo headphone amplifier and two high-power full-bridge MOSFET power stages.

The NTP-8230 receives digital serial audio data with sampling frequency from 8kHz through 192kHz. It delivers 2 x 30 watts in stereo mode without heat sink.

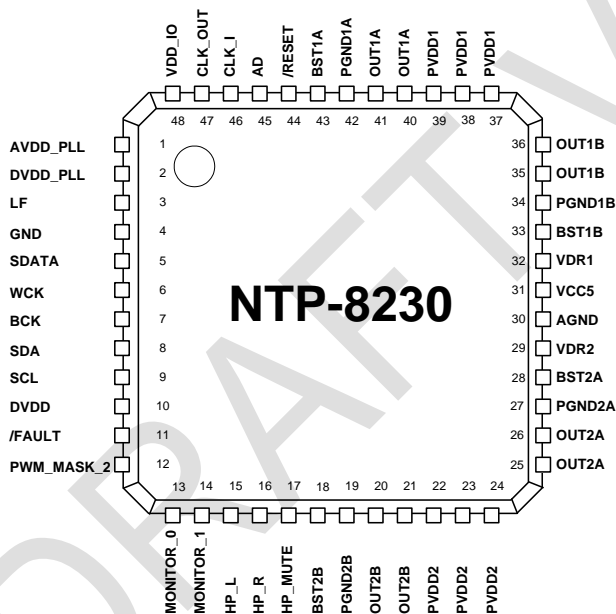
The NTP-8230 has a mixer and Bi-Quad filters which can be used to implement the essential audio signal processing functions like loudness control, compensation of a loud speaker response and parametric equalization.

All the functions of the NTP-8230 can be controlled by internal register values via I2C host interface bus.

Features

- 2 CH Stereo (30W x 2 @28V,8Ω)
- 2.1 channel (10W x 2 + 25W @24V,8Ω)
- Wide Operating Supply Voltage Range (7V to 28V)
- Floating Point Operation
- 25 Programmable Bi-Quad Filters
 - ✓ Speaker Compensation
 - ✓ LPF, HPF
 - ✓ Parametric Equalizer
 - ✓ Loudness Control
- 100dB Dynamic Range
- 2 Band Dynamic Range Control
- 5 Band Graphic Equalizer
- 3D Surround
- Protection Circuit
 - ✓ OCP(Over Current Protection)
 - ✓ OTP(Over Temperature Protection)
 - ✓ UVP(Under Voltage Protection)
- High Efficiency
- DC cut filter

Package



(48 pin MLF 7mm x 7mm Package)

Applications

- PDP TV or LCD TV
- Docking Station
- Mini-Component Audio Solution

Ordering Information

Product ID	Package Type	Pin	Size
NTP-8230	MLF	48	7 x 7mm

NeoFidelity, Inc. #1901, Ace High-End Tower 2, 222-14, Guro-dong, Guro-gu, Seoul 152-848 Korea, Phone +82-2-6340-1000, Fax +82-2-6675-1109, Email info@neofidelity.com, Web www.neofidelity.com

Disclaimer

NeoFidelity, Inc. reserves the right to make changes without notice in the product described in this datasheet including circuits, software and ICs, described herein for the purpose of improvement of design and performance. NeoFidelity, Inc. assumes no responsibilities and liabilities for the use of the product, conveys no license under any patent or copyright, and makes no warranties that the product is free from patent or copyright infringement, unless otherwise specified.

Table of Contents

1. BLOCK DIAGRAM	4
2. PIN ASSIGNMENTS	4
3. PIN DESCRIPTIONS	5
4. CHARACTERISTICS AND SPECIFICATIONS	7
4.1. Absolute Maximum Ratings	7
4.2. Recommended Operating Conditions	7
4.3. DC Electrical Characteristics	7
4.4. Performance Specification	8
4.5. Switching Characteristics – I2C Control	9
4.6. Switching Characteristics – Audio Interface	9
5. I2C BUS OF NTP-8230	10
5.1. General Description of I2C Bus	10
5.1.1. Writing Operation	11
5.1.2. Reading Operation	12
5.1.3. I2C Glitch Filter	13
6. CLOCK, RESET & CONTROL	14
6.1. System Clock	14
6.2. Reset Timing	14
7. AUDIO INPUT	15
7.1. I2S and Serial Audio Interface	15
8. MIXER	17
9. PRE-PROCESSING	18
9.1. Pre Bi-Quad Filter Chain	18
9.2. 3D Surround	18
9.3. Configurable Graphic Equalizer	19
9.4. Post Bi-Quad Filter Chain	19
9.5. Loudness Control	20
10. VOLUME & DYNAMIC RANGE CONTROL	21
10.1. Master Volume Control	21
10.2. Channel Volume Control	21
10.3. Master Volume Fine Control	21
10.4. Mute and Soft Volume Change	21
10.5. Auto Mute	21
10.6. Dynamic Range Control	22
11. OUTPUT INTERFACE	23
11.1. Output Configuration	23
11.2. AM Interference Relief Mode	23
11.3. PWM Output Mapper	23
11.4. Switching Output Mode	23
11.5. Soft start	24
12. TYPICAL APPLICATION SCHEMATICS (2CH Stereo)	25
13. TYPICAL APPLICATION SCHEMATICS (2.1 Channel)	26
14. APPENDIX	27
A. Configuration Register Summary	27
B. ROM address for BiQuads Coefficients and Parameters (Refer to Reg 0x7E)	43
C. Configuration Register Value Reference	48
D. Outline and Mechanical Data	54

1. BLOCK DIAGRAM

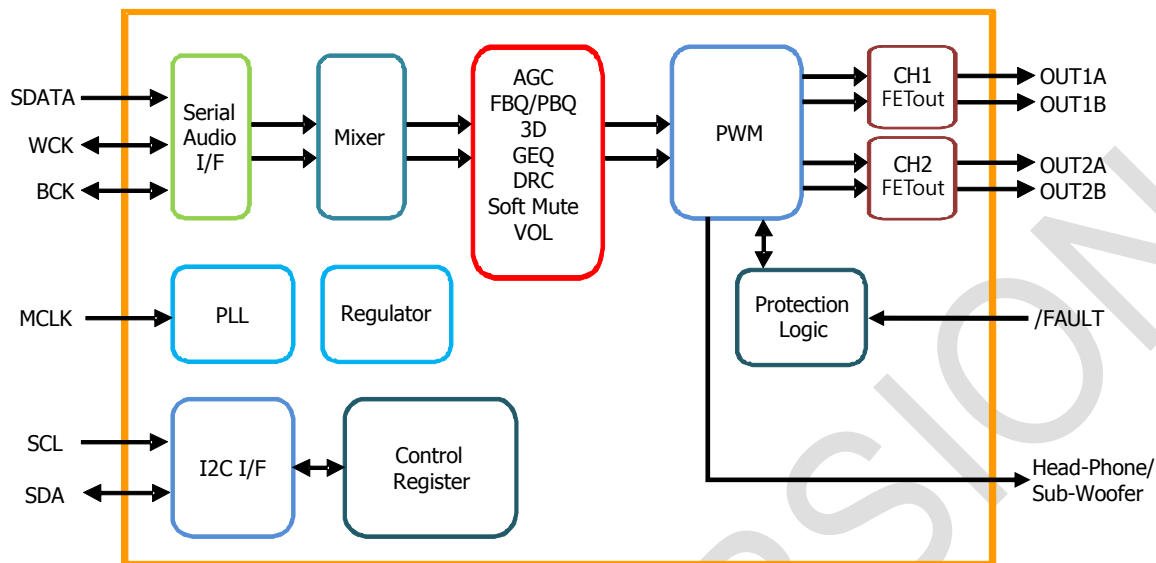


Figure 1. NTP-8230 Block Diagram

2. PIN ASSIGNMENTS

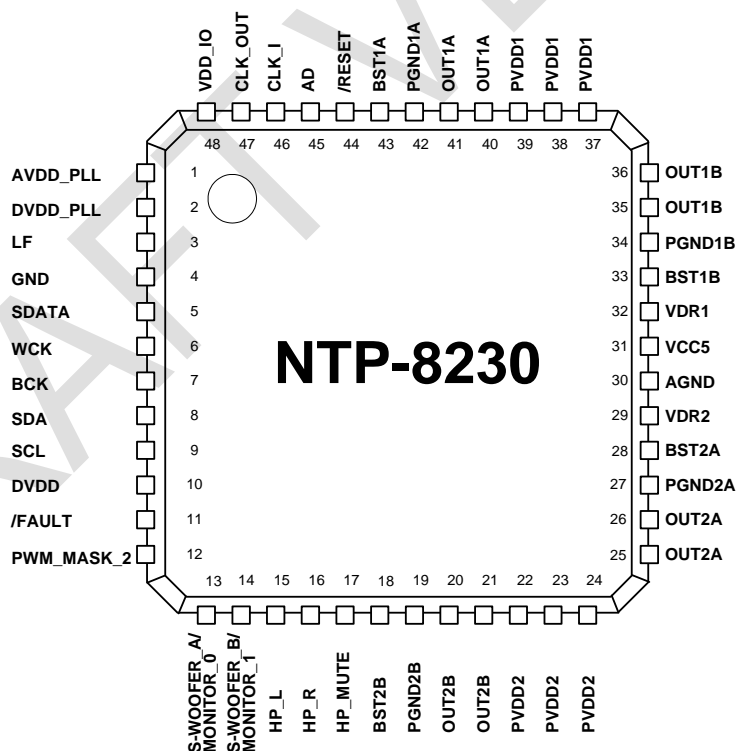


Figure 2. NTP-8230 Pin Assignments

3. PIN DESCRIPTIONS

PIN	NAME	TYPE	DESCRIPTION
1	AVDD_PLL	P	Regulator output for PLL analog block, 1.8V
2	DVDD_PLL	P	Regulator output for PLL digital block, 1.8V
3	LF	I/O	External PLL loop filter
4	GND	P	This pin should be connected to Ground
5	SDATA	I	I2S serial data input
6	WCK	I/O	I2S word clock
7	BCK	I/O	I2S bit clock
8	SDA	I/O	I2C data
9	SCL	I	I2C clock
10	DVDD	P	Regulator output for Core block, 1.8V
11	/FAULT	I	Input from external power device
12	PWM_MASK_2	O	External power device on/off control to protect
13	S_WOOFER_A/ MONITOR_0	O	Monitoring signal out from processor block
14	S_WOOFER_B/ MONITOR_1	O	Monitoring signal out from processor block
15	HP_L	O	Left audio channel Headphone signal
16	HP_R	O	Right audio channel Headphone signal
17	HP_MUTE	O	External Headphone mute signal
18	BST2B	P	Bootstrap supply, external capacitor to OUT2B is required
19	PGND2B	P	Ground
20	OUT2B	O	Power stage PWM output 2B
21	OUT2B	O	Power stage PWM output 2B
22	PVDD2	P	Power supply for PWM Power stage 2A, 2B
23	PVDD2	P	Power supply for PWM Power stage 2A, 2B
24	PVDD2	P	Power supply for PWM Power stage 2A, 2B
25	OUT2A	O	Power stage PWM output 2A
26	OUT2A	O	Power stage PWM output 2A
27	PGND2A	P	Ground
28	BST2A	P	Bootstrap supply, external capacitor to OUT2A is required
29	VDR2	P	Gate drive voltage regulator decoupling pin, capacitor to GND is required
30	AGND	P	Ground
31	VCC5	P	Logic voltage decoupling pin, capacitor to GND is required
32	VDR1	P	Gate drive voltage regulator decoupling pin, capacitor to GND is required
33	BST1B	P	Bootstrap supply, external capacitor to OUT1B is required
34	PGND1B	P	Ground
35	OUT1B	O	Power stage PWM output 1B
36	OUT1B	O	Power stage PWM output 1B
37	PVDD1	P	Power supply for PWM Power stage 1A, 1B
38	PVDD1	P	Power supply for PWM Power stage 1A, 1B
39	PVDD1	P	Power supply for PWM Power stage 1A, 1B
40	OUT1A	O	Power stage PWM output 1A

PIN	NAME	TYPE	DESCRIPTION
41	OUT1A	O	Power stage PWM output 1A
42	PGND1A	P	Ground
43	BST1A	P	Bootstrap supply, external capacitor to OUT1A is required
44	/RESET	I	Active low to reset NTP-8230, Schmitt trigger input
45	AD	I	I2C device address selection
46	CLK_I	I	System master clock input
47	CLK_OUT	O	System master clock output
48	VDD_IO	P	Power supply for digital interface I/O, 3.3V

P = Power Supply or Ground, I = Input, O = Output, I/O = Input/Output

Table 1. NTP-8230 Pin Description

4. CHARACTERISTICS AND SPECIFICATIONS

4.1. Absolute Maximum Ratings

Parameter	Reference	Rating	Unit
DVDD voltage	DGND	-0.3 ~ 2.5	V
VDD_IO voltage	GND_IO	-0.3 ~ 4.4	V
Logic Input voltage	GND	-0.3 ~ 5.5	V
Logic output voltage	GND	-0.3 ~ 4.4	V
PVDDXX voltage	PGNDXX	31	V
OUTXX voltage	PGNDXX	-0.3 ~ PVDDXX	V
BSTXX voltage	PGNDXX	37.6	V
VDRX voltage	PGNDXX	-0.3 ~ 6.6	V
VCC5 voltage	GND	0.3 ~ 5.5	V
Storage Temperature	Tstg	-55 ~ 150	°C
Junction Temperature	Tj	150	°C
ESD	HBM	2000	V
	MM	200	V
	CDM	-	V

4.2. Recommended Operating Conditions

Parameter	Reference	Rating	Unit
VDD_IO voltage	GND_IO	3.0 ~ 3.6	V
PVDDXX voltage	PGNDXX	7 ~ 28	V
VDRX voltage	PGNDXX	6.1	V
VCC5 voltage	GND	5.3	V
Ambient Operating temperature	T _{AMB}	0~85	°C
Thermal resistance	θ _{Ja}	-	°C/W
Thermal resistance	θ _{Jc}	-	°C/W
Power dissipation		-	W
Load condition	Speaker	8	Ω

4.3. DC Electrical Characteristics

Parameter	Symbol	Condition	Min	Typ	Max	Unit
Logic Block (VDD_IO=3.3V, T _A =+25°C, unless otherwise specified.)						
Input High Voltage	V _{ih}	-	2.0			V
Input Low Voltage	V _{il}	-	-0.3		0.8	V
Input Current	I _I	VDD_IO=MAX, 0V ≤ Vin ≤ 5.5V			±10	uA
		40kΩ pull down	40		160	uA
		40kΩ pull up	-160		-40	uA
Output Low Voltage	V _{ol}	I _{ol} =2,4,...28mA			0.4	V
Output High Voltage	V _{oh}	I _{oh} =-2,-4,...-28mA	2.4			V
Output Low Current	I _{ol}	V _{ol} =0.4V, 4mA	4.7	8.0	10	mA
Output High Current	I _{oh}	V _{oh} =2.4V, 4mA	5.6	11.9	19	mA
Output Current Limit		Sourcing & Sinking		-		A

Threshold point	V_t	-		1.09		V
Input leakage current	I_{LEAK}			-		uA
Tri-state leakage current	I_{LEAKT}			-		uA
Schmitt trig. Low to High threshold point	V_{t+}	-	1.4		2.0	V
Schmitt trig. High to Low threshold point	V_{t-}	-	0.8		1.2	V
Pull up resistance	R_{PU}			-		K Ω
Pull down resistance	R_{PD}			-		K Ω
Power Driver Block (PVDDXX=20V, $T_A=+25^\circ\text{C}$, unless otherwise specified.)						
FET turn on resistance	R_{dson}	PVDDXX=10V, without bonding		120		m Ω
Current consumption	I_{CC}	VDD_IO=3.3V, No Input, No Load		35		mA
	I_{PVDD}	PVDD=24V, No Input, 8 Ω Load with 10uH		100		
LDO output voltage	V_{LDO}			1.8		V
Peak Current Limit	OCP	-		5.5		A
Thermal Shutdown Temperature	OTP			150		$^\circ\text{C}$
Under Voltage protection Limit	UVP	-		7		V

4.4. Performance Specification

Parameter	Condition	Min	Typ	Max	Unit
Gain	Master volume		100		dB
	Channel volume		-		dB
	Gain matching		-		%
SNR	AES17, A-weighting filter		100		dB
THD+N	1W, 1kHz		0.01		%
P_{OUT}	PVDD=24V @8 Ω , THD 1% (Continuous Output power, 1 min.)		15		W
	Peak output power, 10msec		30		W
Cross talk	PVDD=24V, Output Power=1W@ 8 Ω		70		dB
DC offset voltage	No input		-		mV
Output noise voltage	No input		-		uV
Start up time			-		mSec
Efficiency	$P_{VDD}=18\text{V}$, $P_{OUT}=1\text{W}@ 8\Omega$ LC filter 22uH, 470nF, 100nF		-		%
PWM frequency			384		KHz
PSRR	VRIPPLE=200mVrms, Pout= 1W		-		dB

4.5. Switching Characteristics – I²C Control

Parameter	Symbol	Condition	Min	Max	Unit
I²C Control Port					
SCL clock frequency	F_{scl}		-	400	kHz
Hold time for START condition	T_{hdsta}		600	-	ns
Low period of the SCL clock	T_{low}		1300	-	ns
High period of the SCL clock	T_{high}		600	-	ns
Rise time of SDA and SCL signals	T_{rise}		-	300	ns
Fall time of SDA and SCL signals	T_{fall}		-	300	ns
Setup time for STOP condition	T_{susto}		600	-	ns

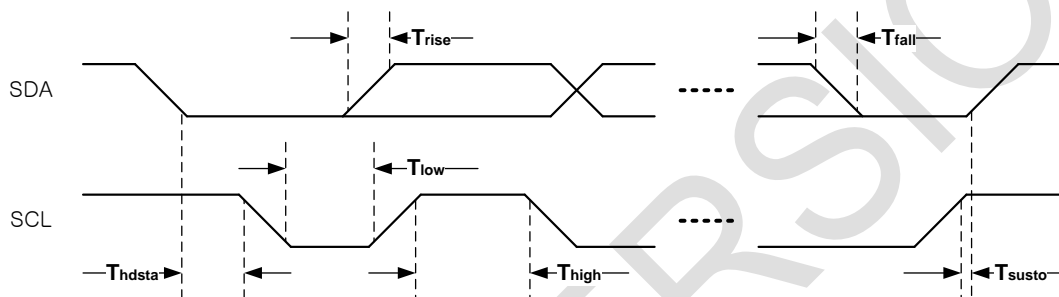


Figure 3. I²C Mode Timing

4.6. Switching Characteristics – Audio Interface

Parameters	Symbol	min	max	units
BCK high time	t_{bh}	20	-	ns
BCK low time	t_{bl}	20	-	ns
SDATA setup time before BCK rising edge	t_{ds}	10	-	ns
SDATA hold time after BCK rising edge	t_{dh}	10	-	ns
WCK setup time before BCK rising edge	t_{ws}	20	-	ns
BCK rising edge before WCK edge	t_{wh}	20	-	ns

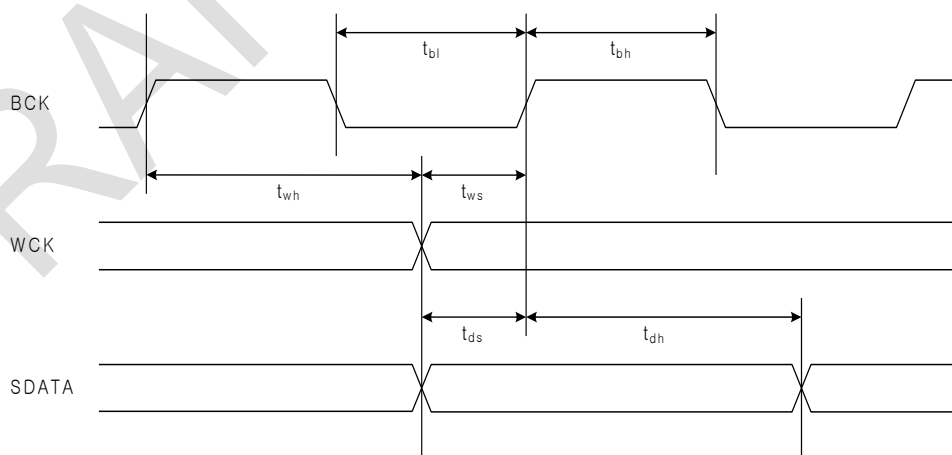


Figure 4. Audio Interface Timing

5. I2C BUS OF NTP-8230

The NTP-8230 uses an industry standard Inter IC Control (I2C) bus to communicate with host IC. A host IC can write or read internal registers of the NTP-8230 via the I2C bus.

5.1. General Description of I2C Bus

The I2C bus uses two signal lines – a serial clock line (SCL) and a serial data line (SDA). Because the SDA line is open-drain type port, both the NTP-8230 and a host IC can only drive these pins low or leave them open.

In I2C bus, a master device means the device which generates serial clock on the SCL. A slave device means the device which receives serial clock. There can be many master and slave devices on an I2C bus. But, when one master device works on the bus, the other master devices should not generate signal on the lines. These unexpected interrupts can make other slave devices to fail to communicate with the mater device.

The NTP-8230 supports only slave mode of I2C bus. So, the NTP-8230 always receives serial clock from a host IC. The slave mode is enough to write/read data to/from the NTP-8230.

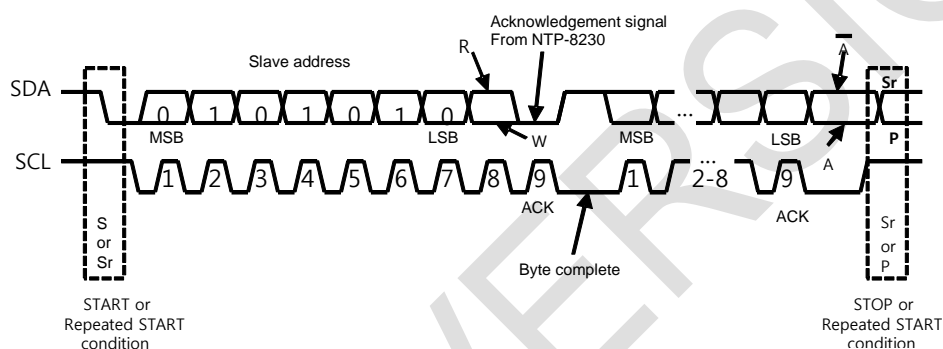


Figure 5. Basic signaling elements of I2C bus

If there are no communication on I2C bus, lines must keep in high state. I2C bus begins communication with the start condition and ends communication with the stop condition. The start condition can be generated by changing the SDA state high to low, during the SCL state remains in high. The stop condition can be generated by changing the SDA state low to high during the SCL remains in high state. Be aware that the stop condition always reset the internal status of I2C bus control logic. Except these two conditions, the SDA may not change during the SCL in high state. Otherwise, abnormal start or stop condition will be generated.

I2C bus transfers the MSB of a byte on 1st data slot and the LSB of a byte on 8th data slot. I2C bus checks success or fail of transfer on every 1 byte transfer. The device which found an expected data on SDA must generate acknowledgement (keep low on SDA) on 9th clock. If there is no acknowledgement on 9th clock, the device which generated a data on SDA may stop transfer. The NTP-8230 will generate acknowledgement for every successful data transfer of 1 byte in write mode. But, in read mode, because data is generated by the NTP-8230, the NTP-8230 will not generate an acknowledgement. In this case, on the contrary, the NTP-8230 will check SDA state on 9th clock that the master device received a read data properly.

Because there can be many other slave device on the I2C bus, the master device sends a target slave address on the 1st byte. 7 bits from 1st to 7th bit of 1st byte are used for the slave address. The NTP-8230 will response with slave address 0101010 or 0101011. If the AD pin was on low state in low to high transient of the RESET pin, the NTP-8230 will use 0101010 for a slave address. Else if the AD pin was on high state in low to high transient of the RESET pin, the NTP-8230 will use 0101011 for a slave address.

AD	I2C Address
0	0x54
1	0x56

Table 2. I2C Address

Last 8th bit of the 1st byte is used to indicate whether the master device want to write or read data.

5.1.1. Writing Operation

When last 8th bit of the 1st byte is set to low state, the writing operation of I2C bus begins. The NTP-8230 supports 3 kind of writing operations which presented on **Figure 6**

The type presented on **Figure 6-(a)** is single byte write operation. “Sub address” on 2nd byte means the internal register address of the NTP-8230. The “Data” on 3rd byte will be written into the internal register address on “Sub address”. If stop condition is not generated, writing “data” on specific “sub address” can be repeated like **Figure 6-(b)**. “Data #n” will be written on “sub address #n”.

The type presented on **Figure 6-(c)** is burst byte write operation under address auto increment mode. The AIF is the address Auto Increment Flag which is 1st bit of 2nd byte of I2C packet. On SDA, if AIF is set to high state, the NTP-8230 starts auto incrementing the address with respect to given “sub address” and host send write data continuously over SDA. In AIF mode, access to the register addresses 0x3B~0x49, 0x4F and 0x5E are automatically skipped.

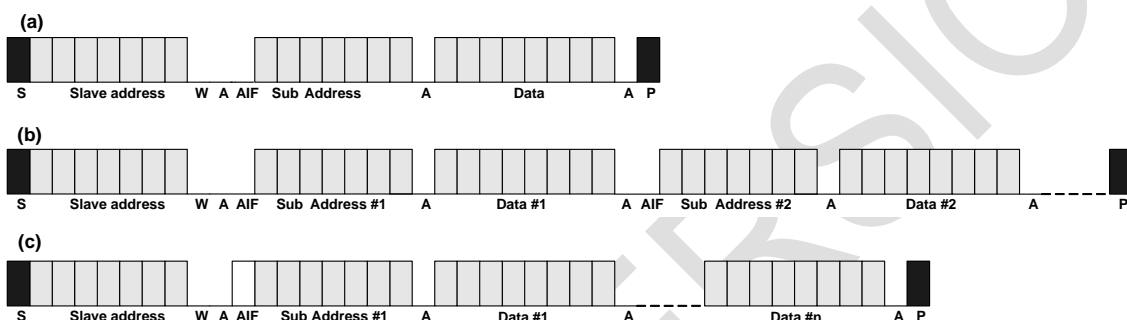


Figure 6. Single Byte Write Mode Sequence

Figure 7-(a), **Figure 7-(b)**, and **Figure 7-(c)** represent 4 byte writing operations. Coefficient Mode Register address 0x00~0x6B are used to configure Bi-Quad filter coefficients, Low Shelf BQ filter coefficients, Loudness gains and DRC clip down gain. The data size of these coefficients and gains is 4 byte for each. The difference between 4byte writing operation and single byte writing operation is only the size of transferring data. So, after sending “Sub address”, 4 sequential bytes must be transferred from the MSB(most significant byte) to the LSB(least significant byte) sequence.

The type presented on **Figure 7-(c)** is quad byte write operation under address auto increment mode, AIF function. Please compare the data transfer size between **Figure 6** and **Figure 7**.

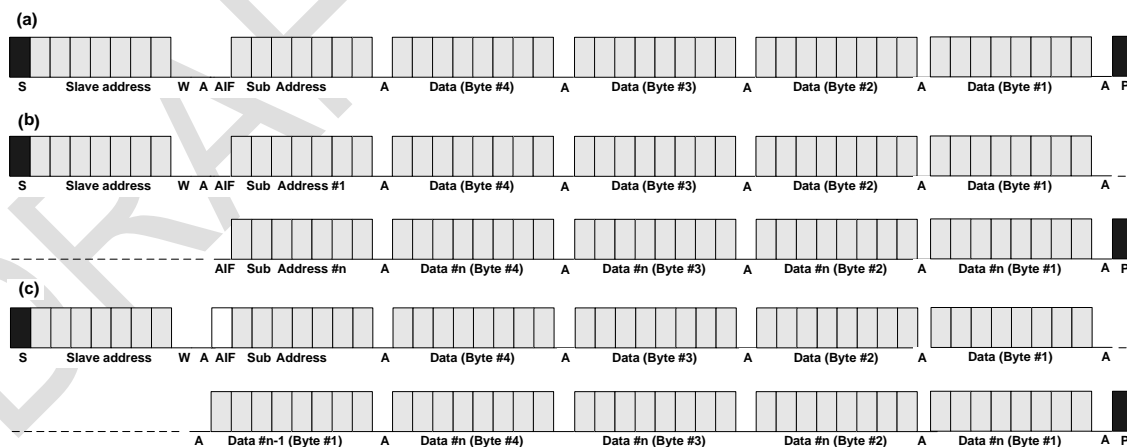


Figure 7. Quad Byte Write Mode Sequences

In write operation, the register 0x7E value needs to be set first for performing the configuration of the registers belong to all channels. The 0x7E register also support to configuring byte writes operation and word i.e. 4 byte writes operation.

If 0x7E register is configure to 0x00, it support byte write operation and for word i.e. 4 byte write operation for each channel it needs to configure as 0x01 for channel 1, 0x02 for channel 2, 0x04 for

channel 3 and 0x08 for PEQ. Also to configure channel1 and channel2 with the same values, the 0x7E register needs to configure as 0x03. So the same values get sets for both the channel with only one write operation.

The register addresses from 0x00 to 0x3B and from 0x41 to 0x63 are used for the Bi-Quad filter coefficients in the coefficient mode. Each Bi-Quad filter uses 5 coefficients. Any unexpected coefficient value changes on any part of 5 coefficients can generate unstable Bi-Quad filter response. For example, if only one of 5 coefficients for a Bi-quad filter is changed and downloaded, its combined 5-coefficient set can have unstable operation while old and new coefficients are mixed together. Therefore to prevent this kind of problem, the NTP-8230 writes coefficients to coefficient registers only when the last 5th coefficients of each Bi-Quad filter are downloaded, which means all of 5 coefficients are fully ready. Please refer to 9.1 for more detailed operation.

5.1.2. Reading Operation

Figure 8-(a) represents single byte reading operation from the NTP-8230. To read data from the NTP-8230, generate start condition to start transfer. After then, send “slave address” with write mode flag and send the register address(sub address). By regenerating start condition (Sr) again and transferring “slave address” with read mode flag, reading operation begins. The NTP-8230 will generate data on SDA signal synchronizing with serial clocks on the SCL. Because the SDA signal generated from the NTP-8230, the master device must generate ACK on 9th slot to confirm that the master received read 1 byte successfully. However, if this is just one byte reading operation, NAK (not acknowledged) signal must be generated. Then stop condition must be generated to end transfer.

When AIF set to high on sub address like **Figure 8-(b)**, data will be read continuously with register addresses which are increased from initial “sub address” for every byte. In continue reading operation, the master must generate ACK signal on every 9th bit of the packet to confirm that master has received 1 byte successfully. Otherwise, reading operation will be terminated.

At the end of AIF reading operation, the NAK should be generated on 9th bit of the last data read to stop the AIF continuous reading operation. Also in reading operation access to the register mention in the “Write Operation’ are skipped.

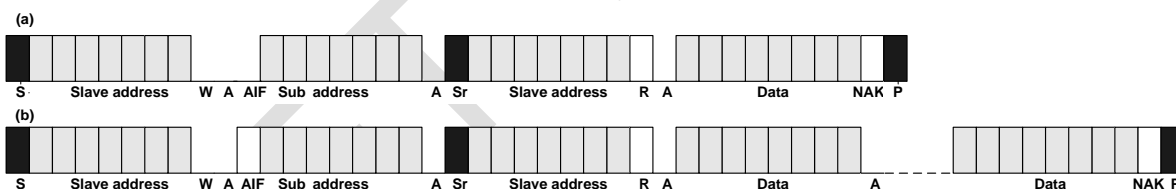


Figure 8. Single Byte Read Mode Sequence

Figure 9 represents quad byte reading operation. The difference between quad byte reading operation and single byte reading operation is only the size of receiving data. So, after sending “Sub address”, 4 sequential bytes must be received from the MSB to the LSB sequence.

The type presented on **Figure 9-(b)** is quad byte read operation under address auto increment mode, AIF function. Please compare the data receive size between **Figure 8** and **Figure 9**.

Before reading operation, the value of register 0x7E should be set first. In case single byte reading operation, set the register 0x7E to “0000”. In case 4 byte reading operation, set the register 0x7E to “0001” for channel1, “0010” for channel2, “0100” for channel3, or “1000” for PEQ.

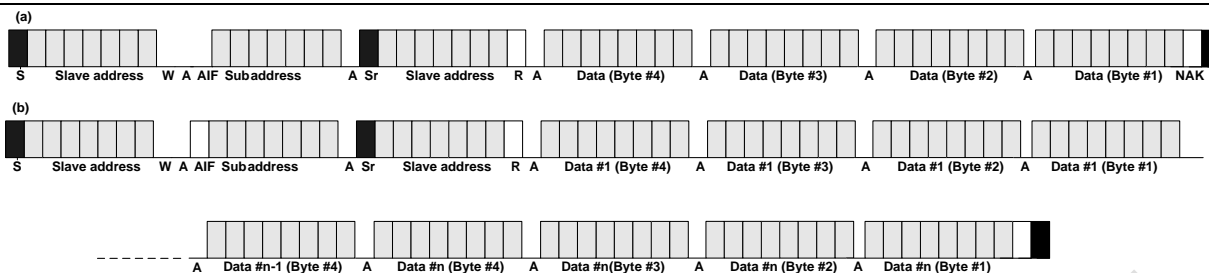


Figure 9. Quad Byte Read Mode Sequence

In read operation, the register 0x7E value needs to be set first for performing the configuration of the registers belong to all channels. The 0x7E register also support to configuring byte reads operation and word i.e. 4 byte reads operation.

If 0x7E register is configure to 0x00, it support byte read operation and for word i.e. 4 byte read operation for each channel it needs to configure as 0x01 for channel 1, 0x02 for channel 2, 0x04 for channel 3 and 0x08 for PEQ. Also to configure channel1 and channel2 with the same values, the 0x7E register needs to configure as 0x03. So the same values get sets for both the channel with only one read operation.

5.1.3. I2C Glitch Filter

To clean out the threats of noise in today’s high-speed-board system, the NTP-8230 has a glitch elimination filter on the I2C ports. Glitches in the transmission lines of the I2C port can be safely removed with this function. Please refer to the register 0x3A.

6. CLOCK, RESET & CONTROL

6.1. System Clock

The internal system clock of the NTP-8230 is generated from an external master clock by the on-chip PLL. The NTP-8230 supports external master clock frequency from 2.048 MHz to 24.576MHz. For proper operation, the registers for the PLL should be set correctly according to master clock frequency (Address 0x02).

6.2. Reset Timing

For proper initialization of NTP-8230, the reset signal should be low more than 0.1usec when the 3.3V I/O supply is stabilized as shown in **Figure 10**.

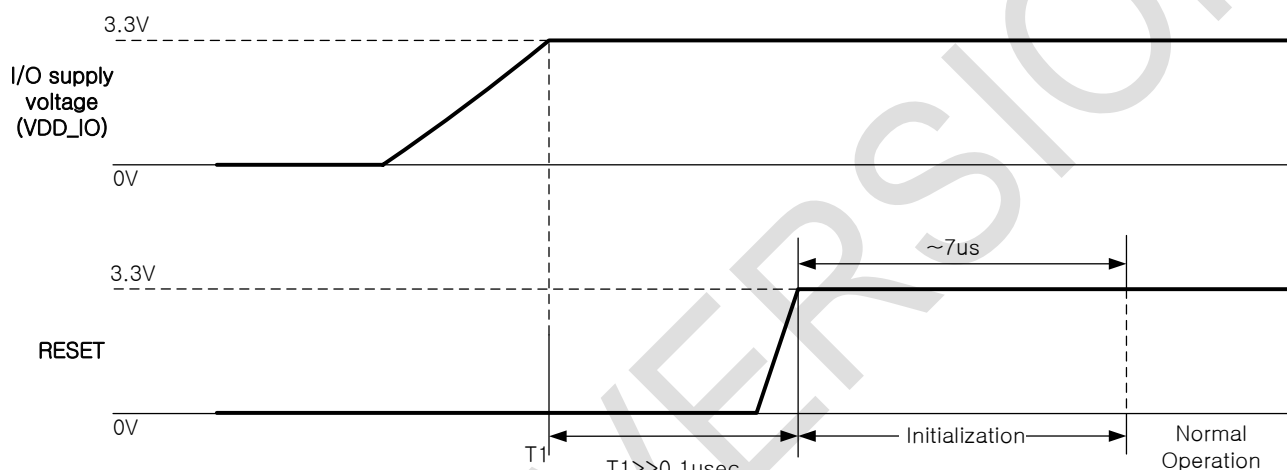


Figure 10. Reset Timing

While in normal operation, if /RESET pin is set to a low state, the NTP-8230 enters the reset state to bring up the actions as follows.

- 1) Each control register resets to the default value.
- 2) All the internal registers, multipliers, adders, counters, and etc. are cleared to zero.
- 3) All of the output pins keep low state as long as the /RESET is active.

The /RESET pin should be maintained in the low state more than 0.1usec, and it takes around $7 \mu\text{s}$ to initialize the NTP-8230 after the reset pin is raised to the high state as shown in **Figure 10**.

7. AUDIO INPUT

7.1. I2S and Serial Audio Interface

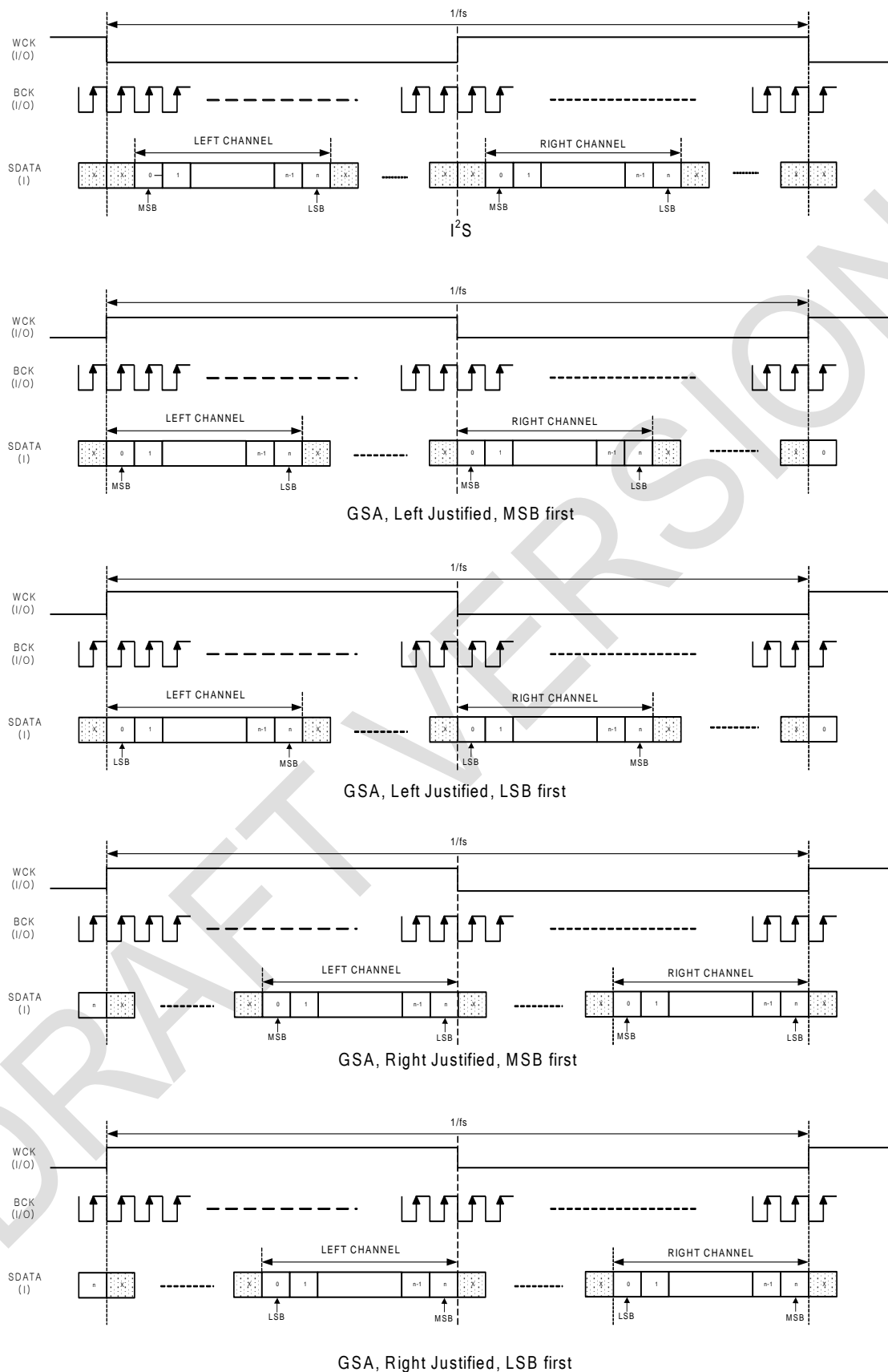
NTP-8230 receives audio data through digital audio interface. There are 2 different formats generally used in digital audio interface - the Inter-IC Sound (I2S) Interface and General Serial Audio Interface (GSA). These two interfaces have some common features.

These interfaces use 2 clock lines and 1 data line to transfer audio data. One of these clock lines is the WCK. A period of the WCK is same with sampling period of audio data. This property enables the clock receiving device to synchronize data word-wise transmitting or receiving timing with clock generating device. Another functional aspect of the WCK is indication of current channel. In I2S mode, low state of the WCK indicates 1st channel or left channel, and high state of the WCK means 2nd channel or right channel.

The other clock line is BCK. This clock line is used to synchronize bit-wise timing. The number of clock for one WCK period can be selected on BCKS(Bit Clock Size Select) of register address 0x01.

NTP-8230 functions as a slave on the bus. In slave mode, NTP-8230 receives WCK and BCK from external source. The data transfer is done via SDATA line. The data being synchronized with the BCK must be loaded on this line. NTP-8230 reads data on the rising edge of the BCK. NTP-8230 reads data from defined bit range of WCK period. The bit range is selected by the interface type.

The bit range for I2S is predefined. GSA interface can select a bit range with LRJ, MLF and BS of register address 0x01. Please refer to in **Figure 11**



GSA, Right Justified, LSB first
Figure 11. Serial audio interface format

8. MIXER

Channel mixer can be used in lots of application needs like pseudo stereo and etc. User can mix input channels into each output channels with designated gains and polarity. Step size of mixer gain is variable according to the gain level as shown below.

Volume Range (dB)	Step (dB)
+18 ~ +6	1
+5.5 ~ -5.5	0.5
-6 ~ -32	1
≤ 32	-∞

Table 3. Variable step mixing gain

In total, 6 mixing gain coefficients denoted as M[0x03], M[0x04], M[0x05], ... M[0x08] are defined as shown in the equation below. Each Mxx stores volume value in dB scale, and the number values versus gain in dB are shown in the **Appendix C**. There are some places in the mixing matrix that are considered as trivial connections and thus predefined as -∞ dB.

$$[\text{Output Channels}] = [\text{Mixer Matrix}] \times [\text{Input Channels}]$$

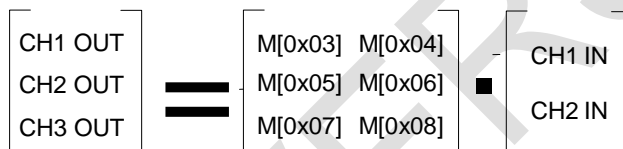


Figure 12. Mixer Matrix

In order to load mixer coefficients into internal memory, send the index value in the gain value table to the register address 0x03~ 0x08.

9. PRE-PROCESSING

9.1. Pre Bi-Quad Filter Chain

NTP-8230 has two kinds of Bi-Quad filter chains. One is Pre Bi-Quad filter chain and the other is Post Bi-Quad filter chain for bass management, loudness control, loud-speaker EQ, etc.

The former is called pre Bi-Quad filter chain and two 2nd order floating point Bi-Quad filters are connected serially to all the three channels. The structure is shown in **Figure 13**.

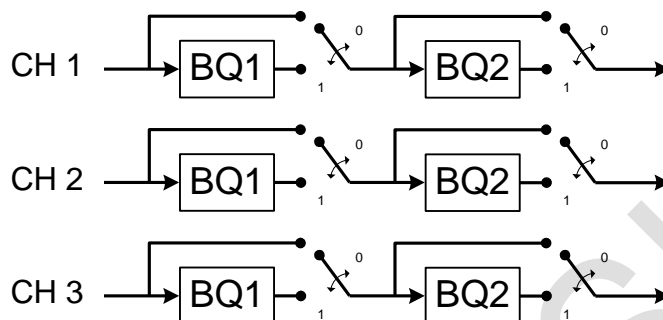


Figure 13. Pre Bi-Quad Filter Structure

Filter coefficients are 32-bit floating point numbers and can be downloaded thru I2C interface. To download the pre Bi-Quad filter coefficients to internal memory of NTP-8230, designer should change the flags of register Address 0x7E to 'enable coefficient write' status.

When CH1(or CH2 or CH3) Flag of register Address 0x7E is set to 1, BQ ROM Address 0x00~0x04 designates coefficients of 1st pre Bi-Quad filter chain of channel 1(or channel 2 or channel 3) and indicates b_0, b_1, b_2, a_1, a_2 respectively. BQ ROM Address 0x05~0x09 designates the coefficients of 2nd chain of channel 1(channel 2 or channel 3).

The Bi-Quad filter structure is shown in **Figure 14**.

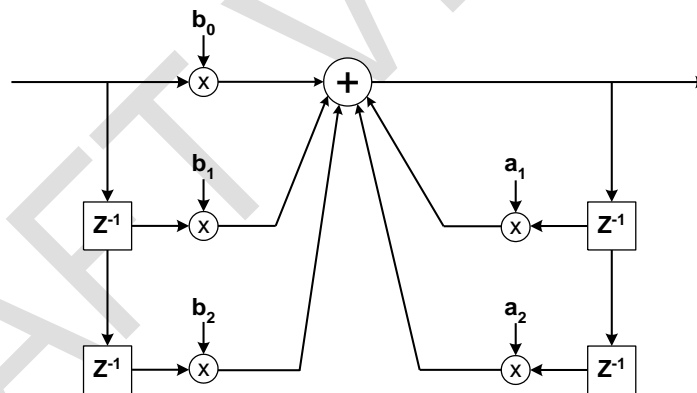


Figure 14. Bi-Quad Filter Structure

9.2. 3D Surround

3D surround expands the sound field of two channel stereo to the extent that is wider than the actual speaker spacing. Because this feature is acoustically valid for two channel signal, no other channels except channel 1/2 have this internal block.

NTP-8230 realizes the 3D effect by combining delay and band-pass filter. At first, define the size of delay by using register Address 0x0D. Possible maximum delay is 40 samples delay and this is about 0.4msec based on 96kHz signal input.

And then download the band-pass filter coefficients to internal memory of NTP-8230 (same with the Bi-Quad filter coefficient download procedure). The BPF is two 2nd order IIR filter. Each channel can have different BPF. Change the 3D flag status of register Address 0x7E to 'enable coefficient write' status and write the actual coefficient values to ten register Addresses 0x0A~ 0x13. Also, internal 2x2 mixer helps ease of design. For using 3D mixer, download the gain values to two register Addresses 0x3C~0x3D.

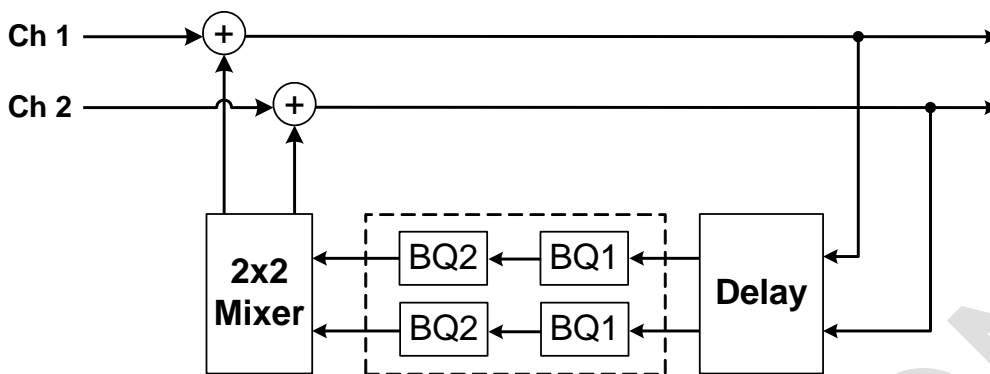


Figure 15. 3D Surround Structure

9.3. Configurable Graphic Equalizer

NTP-8230 provides 5 band graphic equalizer and PEQ to 1/2 channel. EQ on/off can be selected by EQ flag of register Address 0x0F.

The gains for each band can be controlled by writing the gain values (refer Graphic equalizer band gain table in **Appendix C**) to register Addresses 0x10~14 respectively.

In PEQ the BQ1 ~ BQ5 can be used as programmable Bi-Quad filters.

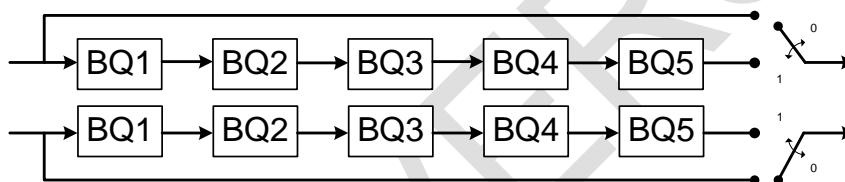


Figure 16. Configurable Graphic Equalizer

9.4. Post Bi-Quad Filter Chain

The post Bi-Quad filter chains of NTP-8230 can be used in various purposes - bass management, loudness control, parametric EQ, loud-speaker EQ, etc. Independent filter design for 1, 2 channels are possible and five 2nd order floating point parametric filters are linked serially. Especially for loudness control, as shown in **Figure 17**, last 3 filters are different from first 2 filters.

Filter coefficients are 32-bit floating point numbers and can be downloaded thru I2C interface. To download post Bi-Quad filter coefficients to NTP-8230, select download channel by using CH flag in register Address 0x7E first. And then write actual coefficient values to 55 BQ ROM Addresses, from 0x14 to 0x3B for Ch1&2 Control (or 40 BQ ROM Addresses, from 0x0A to 0x18 for Ch3 control).

BQ ROM Address 0x14~0x18 designates 1st chain coefficients and means b0, b1, b2, a1, a2 in sequence. Address 0x19~0x1D designates 2nd chain, and so on. The enable/disable operation of these Bi-Quads can be made by using BQF flag in register Addresses 0x17~0x1B(include Ch3 control). (refer register Address table in **Appendix A** and refer BQ ROM Address table in **Appendix B**)

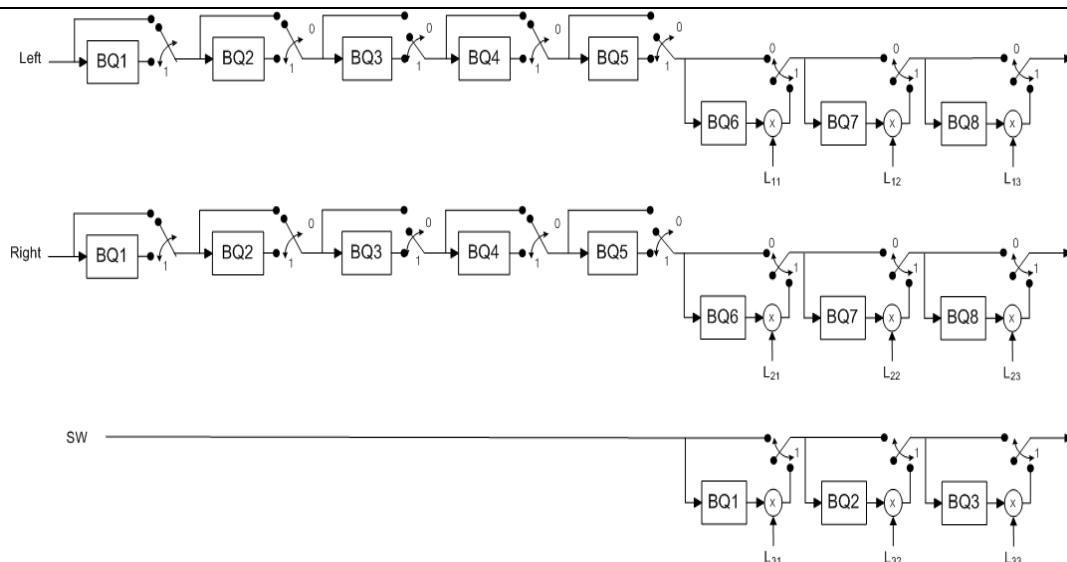


Figure 17. Post Bi-Quad Filter Structure

For the enhancement of 3D effect or redirection of Bass signal back into Main channel, Ch3 fire back structure is integrated like **Figure 17**.

9.5. Loudness Control

NTP-8230 provides loudness control function using post Bi-Quad filter chains. Loudness control means the compensation of frequency characteristics in low volume level to fit the acoustic characteristics of human ears

There are 3 Bi-Quad filters for loudness gain per each channel. To download a loudness gain of each Bi-Quad, the page flag register 0x7E should be set as same in the case of downloading the filter coefficients. The loudness gain values are applied for both channel 1 and 2 and when downloading the loudness gain values, a user should set the register 0x7E as 0x03.

loudness gains of CH1/CH2	BQ ROM Address		
	0x3E	0x3F	0x40
register Address 0x7E= 0x03 case	L1	L2	L3

loudness gains of CH3	BQ ROM Address		
	0x1E	0x1F	0x20
register Address 0x7E= 0x04 case	L1	L2	L3

Table 4. Address for Loudness Gain

10. VOLUME & DYNAMIC RANGE CONTROL

Master and channel volumes of the NTP-8230 are independently controlled and softly changed. The system register address 0x2E is the master volume control that affects 3 channels simultaneously and the address 0x2F, 0x30 and 0x31 correspond to the channel volume control register for channel 1, 2 and 3 respectively.

The possible Maximum Gain is +48.375dB with using master volume fine control, master volume and channel volume because the master volume applies the gain to an input signal independent from a channel volume. However, in such a case, a clipping might occur to prevent a signal overflow error if the magnitude of the input signal is large enough to exceed 0dB under the combined volume setting.

10.1. Master Volume Control

By setting volume control register (address 0x2E), master volume is controlled from negative infinity through 24dB with selectable step size as follows. For details on the master volume setting, see the register value table shown in **Appendix C**.

Step	Range
0.5 dB	+24 ~ -100 dB
10 dB	-100 ~ -150 dB

Table 5. Level dependent master volume steps

10.2. Channel Volume Control

By setting volume control registers (address 0x2F~0x31), channel volumes are independently controlled from negative infinity through +24dB with two selectable step sizes as described below, and in the **Appendix C**, exact values for channel volume setting are described.

Step	Range
0.5 dB	+24 ~ -100 dB
10 dB	-100 ~ -150 dB

Table 6. Level dependent Channel volume steps

10.3. Master Volume Fine Control

Fine control for master volume is possible (+0.0625dB step up to maximum +0.4375dB boost). Refer the system register Address 0x2D in the **Appendix A**.

10.4. Mute and Soft Volume Change

The NTP-8230 enters mute state by setting soft mute flag of register Address 0x26. Soft mute is implemented so that the volume gradually increases or decreases when mute is turned off or on respectively. Also the soft mute speed and soft volume change speed rates are programmable. Designers can minimize the pop noise by controlling the soft mute speed and volume change intervals. Refer SMH flag of register Address 0x26 and SVI flag of register Address 0x32.

10.5. Auto Mute

The NTP-8230 can mute the sound automatically when the level of input audio signal is lower than the register-controlled threshold value. The mute can be done by soft mute or PWM switching with 50 % duty ratio or PWM switching off.

Auto mute is supported for internal channels 1~3 after 2x3 mixer block. Refer register Address 0x33 and 0x34.

10.6. Dynamic Range Control

Dynamic range control can be turned on or off with programmable compression threshold and attack/release rates. The threshold parameters of DRC can be controlled separately for channel 1/2 and channel 3. For detailed setting, please refer to the system register Addresses 0x1C~0x25 and refer to the BQ ROM addresses in Table 7.

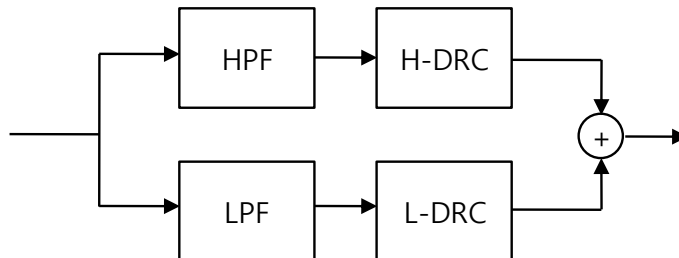


Figure 18. Block diagram of dynamic range control.

2B' DRC BQ ROM Address	0x46 ~ 0x4A	0x4B ~ 0x4F	0x50 ~ 0x54	0x55 ~ 0x59	0x5A ~ 0x5E	0x5F ~ 0x63
Register Address 0x7E = 0x03	BQ1	BQ2	BQ3	BQ4	Attack Low	Attack High

0x64	0x65	0x66	0x67	0x68	0x69	0x6A	0x6B
Release Gain Low	Release Gain High	THD Gain Low	THD Gain High	PowerMeter Gain	Attack Gain Low	Attack Gain High	Attack Gain Post

Table 7. BQ ROM address map for dynamic range control

11. OUTPUT INTERFACE

11.1. Output Configuration

The output mode of NTP-8230 is 2.0 stereo reproduction mode and 2.1 reproduction mode. To produce proper output signal, register 0x35~0x37 should be set to appropriate values.

11.2. AM Interference Relief Mode

The NTP-8230 has AM interference reduction mode. In this mode SNR performance of NTP-8230 can be degrade down to 90 dB and the PWM switching frequency is spread from 384kHz through 768kHz.

11.3. PWM Output Mapper

Any internal channel that produces a PWM output can be assigned to any PWM output hardware port (or pin) by mapping output port register. This feature is very helpful for the hardware designer because it can relieve difficulties in the power stage signal routing and channel assignment if the output channel order is fixed. See the system register address 0x35~0x37 in the **Appendix A**.

11.4. Switching Output Mode

There are two selectable switching output modes in NTP-8230. The difference between two output modes lies in the relationship of the relative signal pattern between PWM OUTxA and PWM OUTxB for a channel x. The first one is called as AD mode. This AD mode can be applied to both half bridge and full bridge output stage.

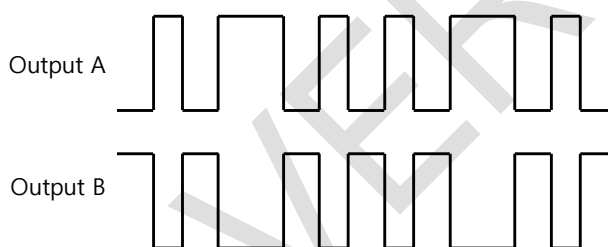


Figure 19. PWM Output Signals in AD Mode

AD asynchronous pair means the normal AD mode PWM output. In other words, A output and B output of each PWM output pair are mutually complementary. In the case of AD synchronous pair, A output and B output is perfectly identical, and its relation is not complementary. This is useful in some special case including single-ended power stage design.

The other one is called as NTX (Neo Trinity Amplification), which is D-BTL mode. This mode is applied only for BTL, and its operation is dynamically-biased BTL, compared to the normal BTL. An example of output signals in D-BTL mode is shown in **Figure 20**

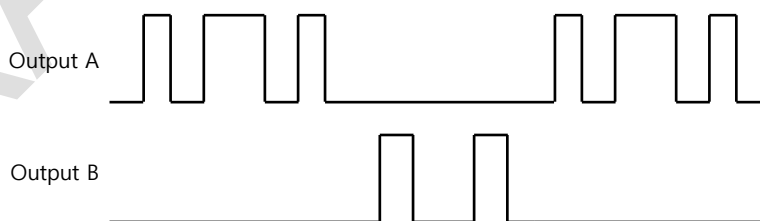


Figure 20. PWM Output Signals in D-BTL mode

For D-BTL mode, there are two additional parameters, which are MLP (Minimum Linear Pulse Length) and MPC (Maximum Pulse Length to Compensate). MLP defines the minimum pulse length that can guarantee a linear relationship between the input and output pulse length. Generally, the width of the output pulse is proportional to that of the input pulse. However, as the width of input pulse becomes narrower, such linear relation is not maintained due to the characteristic of a power device. The minimum MLP value is preferred as long as linear relationship between the input and the output pulse is satisfied. In addition, in terms of power consumption, a minimal MLP value is preferred. MPC determines the width of compensation pulse. In other words, since a short-length pulse tends to have non-linear relationship between input and output, an input pulse which has the equal or less length of MPC is counterbalanced using compensation pulse. Whereas, an input pulse which exceeds the length of MPC has no compensation. This compensation is illustrated in **Figure 21**, when the input data is equal or less than the MPC width.

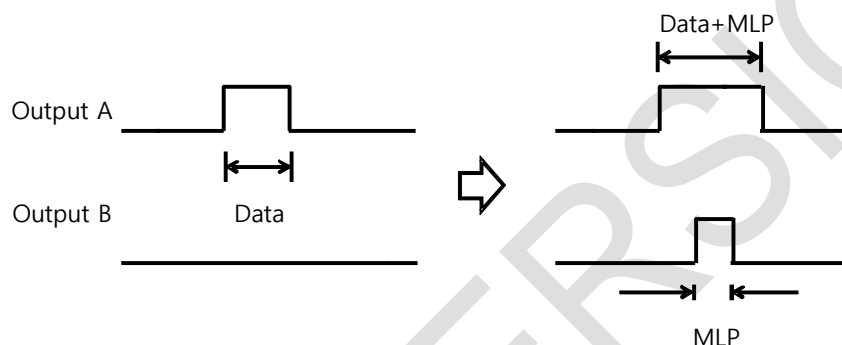


Figure 21. Compensation by MPC and MLP

11.5. Soft start

The `soft_start` reduces pop noise by controlling rapidly increased energy of PWM. To begin `soft_start` operation, PWM soft start enable register (0x52: PSE) should be set to high, and then PWM switching on/off register (0x27: POF) should be set to low. The duty ratio of PWM output increases from 127:1 (Low:High) to 50:50 (Low:High). Step repeat time register (0x52: SRT) means repeat number of PWM output. Soft_start operation with 17 repetitions is shown in the **Figure 22**.

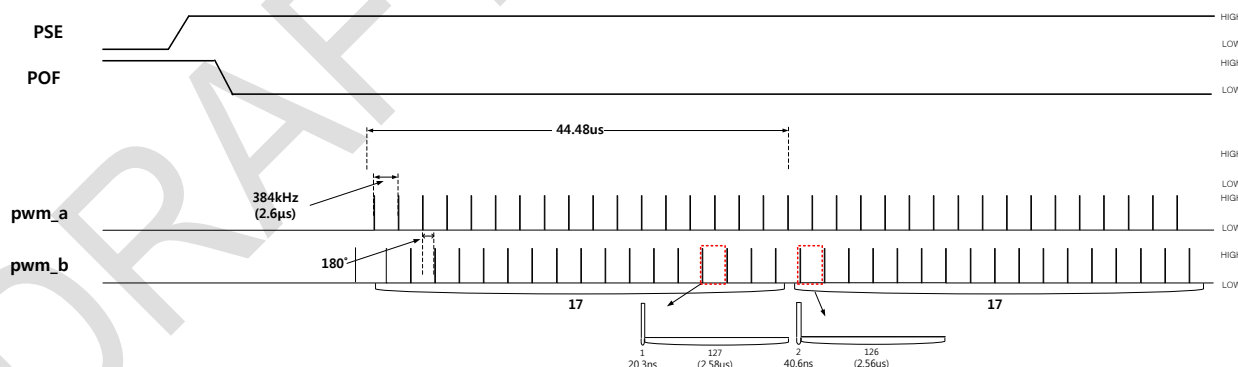
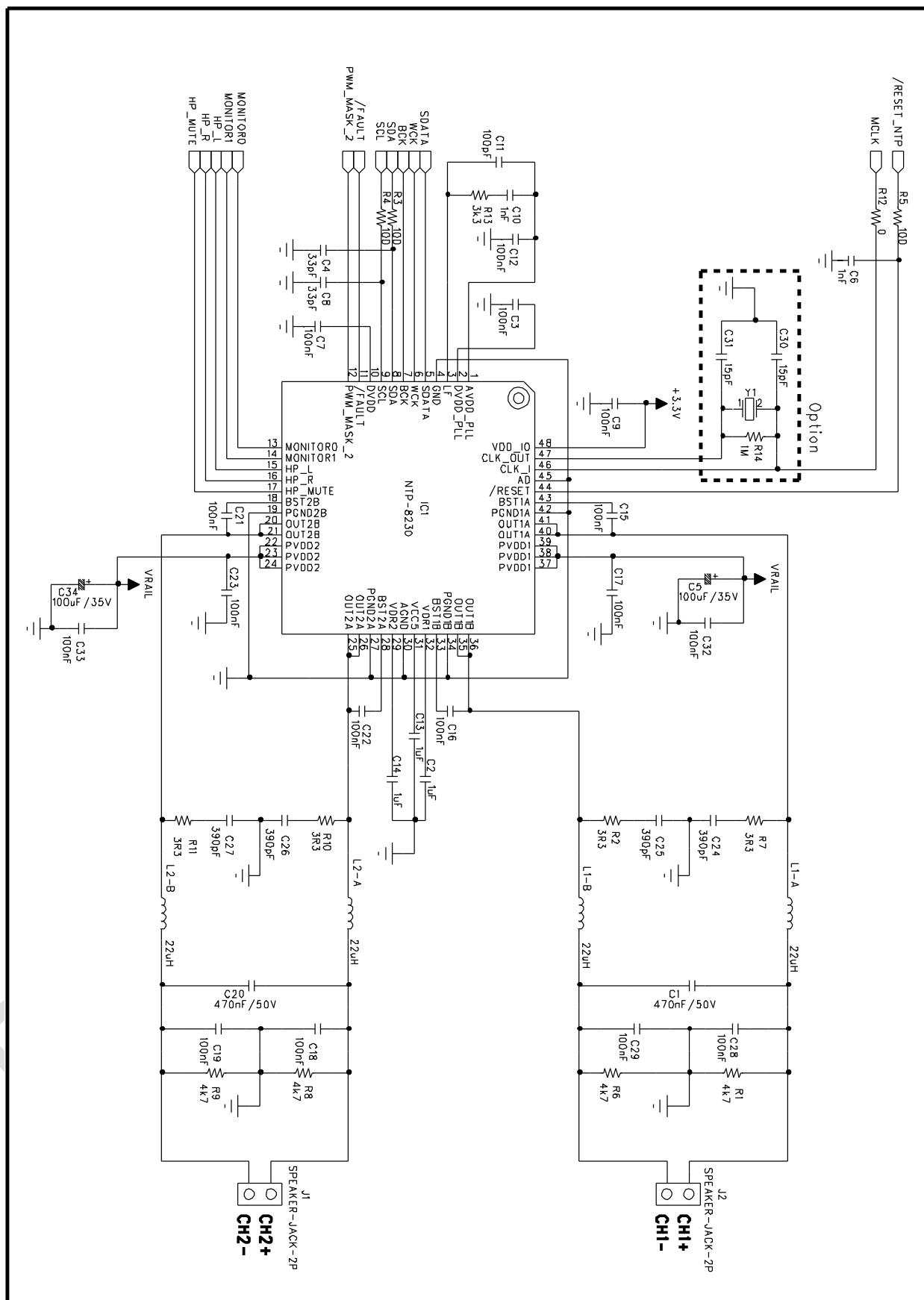
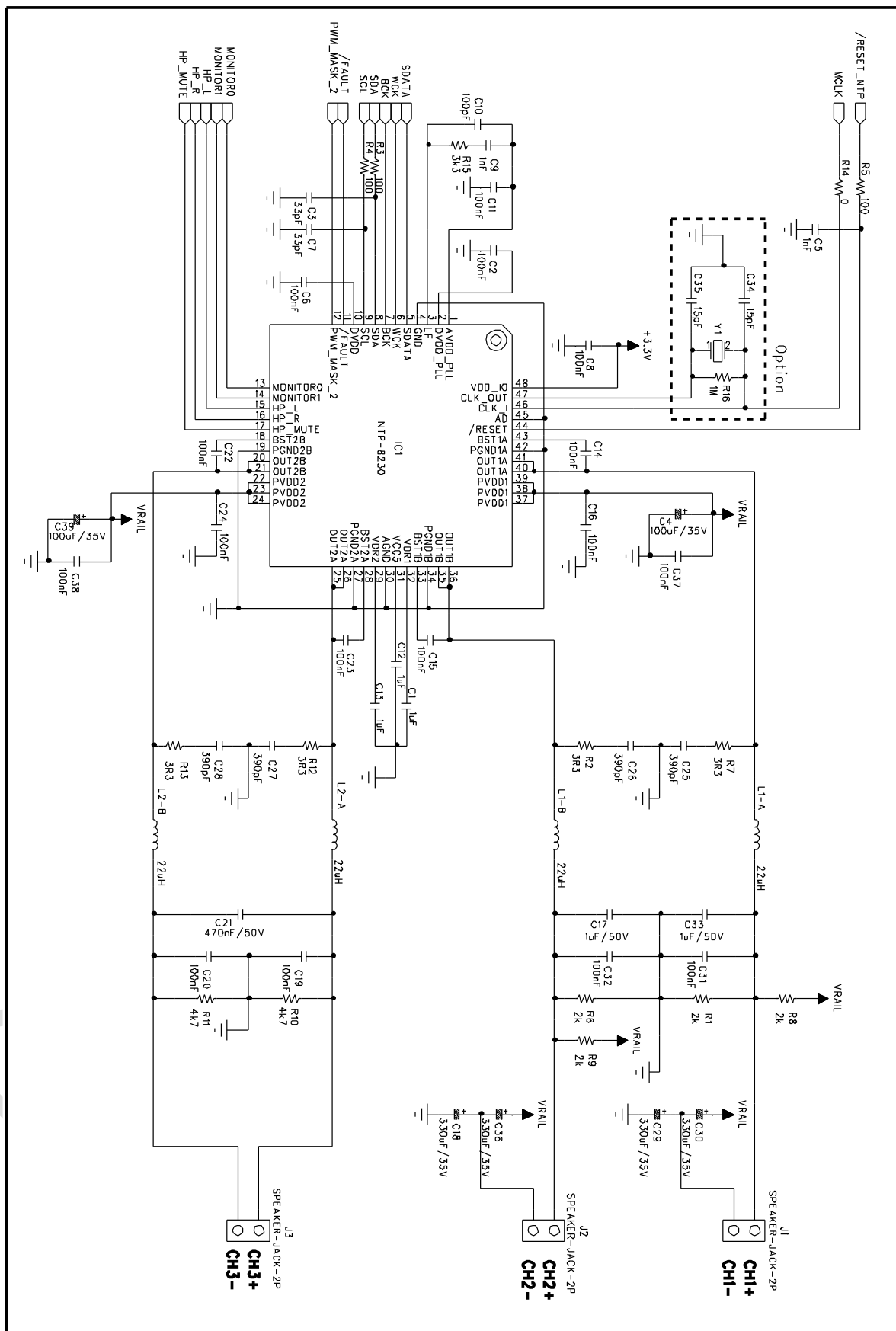


Figure 22. Soft start operation timing

12. TYPICAL APPLICATION SCHEMATICS (2CH Stereo)



13. TYPICAL APPLICATION SCHEMATICS (2.1 Channel)



14. APPENDIX

A. Configuration Register Summary

Addr 0x00: Audio Input Format

Bit	7	6	5	4	3	2	1	0
Name	X	X	X	FSM			INS	

Name	Description	Value	Meaning	Ref.
INS	Input format	b'00	I ² S, slave mode	
		b'01	I ² S, master mode	
		b'10	General serial audio, slave mode	
		b'11	General serial audio, master mode	
FSM	Sampling Frequency in Master mode IIS	b'000	48 kHz	
		b'001	8 kHz	
		b'010	16 kHz	
		b'011	32 kHz	
		b'100	12 kHz	
		b'101	24 kHz	
		b'110	96 kHz	
		b'111	192 kHz	

Addr 0x01: General Serial Audio Format

Bit	7	6	5	4	3	2	1	0
Name	X	X	BCKS		BS		MLF	LRJ

Name	Description	Value	Meaning	Ref.
LRJ	Serial data justify	b'0	Left justify	
		b'1	Right justify	
MLF	Serial bit order	b'0	MSB first	
		b'1	LSB first	
BS	Serial bit size	b'00	24 bit	
		b'01	20 bit	
		b'10	18 bit	
		b'11	16 bit	
BCKS	Bit clock size select	b'00	64 BCK/WCK	
		b'01	48 BCK/WCK	
		b'10	32 BCK/WCK	

Addr 0x02: Master Clock Frequency Control

Bit	7	6	5	4	3	2	1	0
Name	X	X	X	X	X	X	MCF	

Name	Description	Value	Meaning	Ref.
MCF	Master Clock Frequency	b'00	12.288 MHz	
		b'01	24.576 MHz	
		b'10	18.432 MHz	
		b'11	User defined frequency. Required to set address 0x63 and address 0x64 first	

Addr 0x03~0x08: Mixer Gain

Bit	7	6	5	4	3	2	1	0
Name	X	MG						

Name	Description	Value	Meaning	Ref.
MG	Mixer gain	b'0000000 ~ b'1111111	Mixer gain (refer to gain table)	

Reserved addr 0x09~0x0B

Addr 0x0C : Front Bi-quad Filter Chain (FBQ) Configurations for Ch 1&2&3

Bit	7	6	5	4	3	2	1	0
Name	X	X	FBQ32	FBQ31	FBQ22	FBQ21	FBQ12	FBQ11

Name	Description	Value	Meaning	Ref.
FBQ11	1 st FBQ flag for CH1	b'0	Bypass	
		b'1	Enable	
FBQ12	2nd FBQ flag for CH1	b'0	Bypass	
		b'1	Enable	
FBQ21	1 st FBQ flag for CH2	b'0	Bypass	
		b'1	Enable	
FBQ22	2nd FBQ flag for CH2	b'0	Bypass	
		b'1	Enable	
FBQ31	1 st FBQ flag for CH3	b'0	Bypass	
		b'1	Enable	
FBQ32	2nd FBQ flag for CH3	b'0	Bypass	
		b'1	Enable	

Addr 0x0D: 3D delay amount

Bit	7	6	5	4	3	2	1	0
Name	X	X	3D_Delay					

Name	Description	Value	Meaning	Ref.
3D_Delay	3D_Delay	b'000001	0 ~ 40 (unsigned decimal)	

Addr 0x0E: 3D effect control configuration

Bit	7	6	5	4	3	2	1	0
Name	X	X	X	X	X	X	X	3DEN

Name	Description	Value	Meaning	Ref.
3DEN	3D Bypass Flag	b'0	3D off	
		b'1	3D on	

Addr 0x0F : Equalizer (EQ) Configuration

Bit	7	6	5	4	3	2	1	0
Name	X	X	X	X	X	X	EQ	

Name	Description	Value	Meaning	Ref.
EQ	Graphic equalizer configuration	b'00	Bypass	
		b'01	5-band graphic equalizer (GEQ) mode (0x10~0x14 let GEQ choose preset BQ coeffs)	
		b'11	Programmable Graphic Equalizer (PEQ) 5 biquad chain is programmed for application-specific equalizer (refer to 0x7E register to program)	

Addr 0x10~0x14: GEQ Gain for Band 1 ~ 5

Bit	7	6	5	4	3	2	1	0
Name	X	X	X	BG				

Name	Description	Value	Meaning	Ref.
BG	Band Gain		See register value table.	

Name	Address	Band	Default	GEQ Default Frequency	Ref.
BG	0x10	BQ1	b'00000	100Hz	
	0x11	BQ2	b'00000	300Hz	
	0x12	BQ3	b'00000	1kHz	
	0x13	BQ4	b'00000	3kHz	
	0x14	BQ5	b'00000	10kHz	

Addr 0x15: CH1&CH2 Prescaler Value Configuration

Bit	7	6	5	4	3	2	1	0
Name	PS							

Name	Description	Value	Meaning	Ref.
PS	Prescaler	b'0000000 ~ b'11111111	208 (0xD0)default	

Addr 0x16: CH3 Prescaler Value Configuration

Bit	7	6	5	4	3	2	1	0
Name	PS							

Name	Description	Value	Meaning	Ref.
PS	Prescaler	b'0000000 ~ b'11111111	208 (0xD0)default	

Addr 0x17~0x18: Post Biquad Filter (PBQ) Configuration₀ for Ch 1 and Ch2, respectively

Bit	7	6	5	4	3	2	1	0
Name	X	X	X	BQ5	BQ4	BQ3	BQ2	BQ1

Name	Description	Value	Meaning	Ref.
BQ1	On/off Bi-Quad 1	b'0	Bypass Bi-Quad 1 of channel n	

	of ch. n (n= 1,2)	b'1	Enable Bi-Quad 1 of channel n
BQ2	On/off Bi-Quad 2 of ch. n (n= 1,2)	b'0	Bypass Bi-Quad 2 of channel n
		b'1	Enable Bi-Quad 2 of channel n
BQ3	On/off Bi-Quad 3 of ch. n (n = 1,2)	b'0	Bypass Bi-Quad 3 of channel n
		b'1	Enable Bi-Quad 3 of channel n
BQ4	On/off Bi-Quad 4 of ch. n (n = 1,2)	b'0	Bypass Bi-Quad 4 of channel n
		b'1	Enable Bi-Quad 4 of channel n
BQ5	On/off Bi-Quad 5 of ch. n (n = 1,2)	b'0	Bypass Bi-Quad 5 of channel n
		b'1	Enable Bi-Quad 5 of channel n

Addr 0x19~0x1A : Post Biquad Filter (PBQ) Configuration1 for Ch 1 and Ch 2, respectively

Bit	7	6	5	4	3	2	1	0
Name	X	X	BQ8		BQ7		BQ6	

Name	Description	Value	Meaning	Ref.
BQ6	On/off Bi-Quad 6 of ch. n (n = 1,2)	b'00	Bypass Bi-Quad 6 of channel n	
		b'01	Enable Bi-Quad 6 of channel n	
		b'10	Enable Bi-Quad 6 as Loudness Filter	
BQ7	On/off Bi-Quad 7 of ch. n (n = 1,2)	b'00	Bypass Bi-Quad 7 of channel n	
		b'01	Enable Bi-Quad 7 of channel n	
		b'10	Enable Bi-Quad 7 as Loudness Filter	
BQ8	On/off Bi-Quad 8 of ch. n (n = 1,2)	b'00	Bypass Bi-Quad 8 of channel n	
		b'01	Enable Bi-Quad 8 of channel n	
		b'10	Enable Bi-Quad 8 as Loudness Filter	

Addr 0x1B : Post Biquad Filter (PBQ) Configuration for Ch 3

Bit	7	6	5	4	3	2	1	0
Name	X	X	BQ3		BQ2		BQ1	

Name	Description	Value	Meaning	Ref.
BQ1	On/off Bi-Quad 1 of ch 3	b'00	Bypass Bi-Quad 1 of channel n	
		b'01	Enable Bi-Quad 1 of channel n	
		b'10	Enable Bi-Quad 1 as Loudness Filter	
BQ2	On/off Bi-Quad 2 of ch 3	b'00	Bypass Bi-Quad 2 of channel n	
		b'01	Enable Bi-Quad 2 of channel n	
		b'10	Enable Bi-Quad 2 as Loudness Filter	
BQ3	On/off Bi-Quad 3 of ch 3	b'00	Bypass Bi-Quad 3 of channel n	
		b'01	Enable Bi-Quad 3 of channel n	
		b'10	Enable Bi-Quad 3 as Loudness Filter	

Addr 0x1C: DRC Control 0

Bit	7	6	5	4	3	2	1	0
Name	CPR_L	CTS_L						

Name	Description	Value	Meaning	Ref.
CTS_L	DRC threshold for low band	b'0000000 ~ b'1111111	-57 ~ 12dB unsigned 7-bit DRC threshold for 1 band mode. In 2 band mode, it will control the threshold of low band. Refer to DRC threshold value table for threshold values.	
CPR_L	DRC enable for	b'0	Dynamic Range Compression off	

	low band	b'1	Dynamic Range Compression on	
--	----------	-----	------------------------------	--

Addr 0x1D : DRC Control 1

Bit	7	6	5	4	3	2	1	0
Name	X	C1C_L			X	A1C_L		

Name	Description	Value	Meaning	Ref.
A1C_L	DRC attack time (low band)	b'000 ~ b'111	Attack time control for 1 band mode. In 2 band mode, it will control the attack time of low band. (See attack time table below.) (default = b'001)	
C1C_L	DRC release time (low band)	b'000 ~ b'111	Release time control for 1 band mode. In 2 band mode, it will control the release time of low band. (See release time table below.)	

Value of Register	Attack time 6dB, fs = 96,000
011	30 msec
010	15 msec
001	8 msec
000	4 msec
111	2 msec
110	1 msec
101	0.5 msec
100	0.25 msec

Table 8. DRC Attack Time Table

Value of Register	Release time 6dB, fs = 96,000
011	5.0 sec
010	2.0 sec
001	1.0 sec
000	0.5 sec
111	0.2 sec
110	0.1 sec
101	0.05sec
100	0.025sec

Table 9. DRC Release Time Table

Addr 0x1E : DRC Control 2

Bit	7	6	5	4	3	2	1	0
Name	CPR_H	CTS_H						

Name	Description	Value	Meaning	Ref.
CTS_H	DRC threshold for high band	b'0000000 ~ b'1111111	-57 ~ 12dB unsigned 7-bit DRC threshold for high band. It has effect only in 2 band mode. Refer to DRC threshold value table for threshold values.	
CPR_H	DRC enable for high band	b'0	Dynamic Range Compression off	
		b'1	Dynamic Range Compression on	

Addr 0x1F : DRC Control3

Bit	7	6	5	4	3	2	1	0
Name	X	C1C_H			X	A1C_H		

Name	Description	Value	Meaning	Ref.
A1C_H	DRC attack time (high band)	b'000 ~ b'111	Attack time control for high band mode. It has effect only in 2 band mode. (default = b'001) (See attack time table in Addr 0x1D.)	
C1C_H	DRC release time (high band)	b'000 ~ b'111	Release time control for high band mode. It has effect only in 2 band mode. (See release time table in Addr 0x1D.)	

Addr 0x20 : DRC Control 4

Bit	7	6	5	4	3	2	1	0
Name	CPR_SW	CTS_SW						

Name	Description	Value	Meaning	Ref.
CTS_SW	DRC threshold	b'0000000 ~ b'1111111	Sub-woofer uses 1-band DRC -57 ~ 12dB unsigned 7-bit DRC threshold When ch1 and ch2 is working in 2band mode, this will be effective.	
CPR_SW	DRC enable for high band	b'0	Dynamic Range Compression off	
		b'1	Dynamic Range Compression on	

Addr 0x21: DRC Control 5

Bit	7	6	5	4	3	2	1	0
Name	X	C1C_SW			X	A1C_SW		

Name	Description	Value	Meaning	Ref.
A1C_SW	DRC attack time	b'000 ~ b'111	Attack time control for sub-woofer. (default = b'001) When ch1 and ch2 is in 2band mode, it will be effective. (See attack time table in Addr 0x1D.)	
C1C_SW	DRC release time	b'000 ~ b'111	Release time control for sub-woofer. When ch1 and ch2 is in 2band mode, it will be effective. (See release time table in Addr 0x1D.)	

Addr 0x22 : DRC Control 6

Bit	7	6	5	4	3	2	1	0
Name	CPR_P	CTS_P						

Name	Description	Value	Meaning	Ref.
CTS_P	DRC threshold for post- band	b'0000000 ~ b'1111111	-57 ~ 12dB unsigned 7-bit DRC threshold Refer to DRC threshold value table.	
CPR_P	DRC enable for post-band	b'0	Dynamic Range Compression off	
		b'1	Dynamic Range Compression on	

Addr 0x23: DRC Control 7

Bit	7	6	5	4	3	2	1	0
Name	X	C1C_P			X	A1C_P		

Name	Description	Value	Meaning	Ref.
A1C_P	DRC attack time (post-DRC)	b'000 ~ b'111	Attack time (default = b'001)	
C1C_P	DRC release time (post-DRC)	b'000 ~ b'111	Release time (default = b'100)	

Addr 0x24 : DRC Control 8

Bit	7	6	5	4	3	2	1	0
Name	X	X	X	DLL				

Name	Description	Value	Meaning	Ref.
DLL	Delay line length	b'00000~ b'10100	Delay line length. 0~20(decimal)	

Addr 0x25 : DRC Control 9

Bit	7	6	5	4	3	2	1	0
Name	CCO	DTS1	DTS2	2BM	ASB	RSB	TSB	CAS

Name	Description	Value	Meaning	Ref.
CAS	Coupled Allpass Structure enable	b'0	Enable coupled allpass structure	
		b'1	Disable coupled allpass structure	
TSB	Threshold parameter select bit	b'0	Uses Threshold parameters in Table	
		b'1	Uses Threshold parameters from external loading	
RSB	Release parameter select bit	b'0	Uses Release parameters in Table	
		b'1	Uses Release parameters from external loading	
ASB	Attack parameter select bit	b'0	Uses Attack parameters in Table	
		b'1	Uses Attack parameters from external loading	
2BM	2band mode enable	b'0	1 band DRC	
		b'1	2 band DRC	
DTS2	P-DRC type select	b'0	P-DRC new mode	
		b'1	P-DRC old mode	
DTS1	LH-DRC type select	b'0	LH-DRC new mode	
		b'1	LH-DRC old mode	
CCO	Clip control option	b'0	Clip on	
		b'1	Clip off	

Addr 0x26 : Soft mute Control 0

Bit	7	6	5	4	3	2	1	0
Name	SMH	X	X	X	X	SM3	SM2	SM1

Name	Description	Value	Meaning	Ref.
SMn	Softmute	b'0	increase for channel n	
		b'1	decrease for channel n	
SMH	Softmute speed	b'0	42/46 msec(at 96/88.2kHz))	
		b'1	Hard change	

Addr 0x27 : PWM Switching On/Off Control

Bit	7	6	5	4	3	2	1	0
Name	X	X	X	X	X	POF3	POF2	POF1

Name	Description	Value	Meaning	Ref.
POFn	Switching output On/off control	b'0	Channel n PWM switching on	
		b'1	Channel n PWM switching off	

Addr 0x28 : PWM_MASK Control 0

Bit	7	6	5	4	3	2	1	0
Name	X	X	X	X	SRD	FPMLD	PWMM	

Name	Description	Value	Meaning	Ref.
PWMM	PWM MASK register	b'10	PWM MASK output is low. (reset default)	
		otherwise	PWM MASK output is high.	
FPMLD	Permanent PWM_MASK Low disable flag	b'0	No effect	
		b'1	Reset the auto_PWM_MASK_restore_counter to 0	
SRD	FAULT disable	b'0	FAULT is effect for PROTECT	
		b'1	FAULT is ineffective for PROTECT	

Addr 0x29: PWM_MASK Control 1

Bit	7	6	5	4	3	2	1	0
Name	X	X	X	X	X	X	APM	POF

Name	Description	Value	Meaning	Ref.
POF	PWM off flag	b'0	Even if Auto PWM_MASK condition is met, the PWM output of all channel is not affected.	
		b'1	When Auto PWM_MASK condition is met, the PWM output of all channel goes to the defined state which is set by the PWM off state control register (Addr 0x1E).	
APM	PWM_MASK flag	b'0	Even if Auto PWM_MASK condition is met, the PWM_MASK output of all channel is not affected.	
		b'1	When Auto PWM_MASK condition is met, the PWM_MASK output goes to Low state.	

Addr 0x2A : PWM_MASK Control 2

Bit	7	6	5	4	3	2	1	0
Name	VMSK3	VMSK2	VMSK1	VMSK0	PMSK3	PMSK2	PMSK1	PMSK0

Name	Description	Value	Meaning	Ref.
PMSK	Masking bit of PWM off control	b'0	Mask bit indicating the validity of n-th bit of Addr 0x5E system register: If the n-th bit of this register is zero, the n-th bit of Addr 0x5E system register is invalid. The n-th bit of Addr 0x5E is valid only when the n-th mask bit is one.	
		b'1		
VMSK	Masking bit of PWM_MASK signal	b'0		
		b'1		

Addr 0x2B : PWM_MASK Control 3

Bit	7	6	5	4	3	2	1	0
Name	IRC		AVRCT			PHT		

Name	Description	Value	Meaning	Ref.
PHT	PWM_MASK Low Hold Time	b'000	0.5 msec Hold Time	
		b'001	1 msec Hold Time	
		b'010	2 msec Hold Time	
		b'011	4 msec Hold Time (Default)	
		b'100	8 msec Hold Time	
		b'101	16msec Hold Time	
AVRCT	Auto PWM_MASK Restore Counter Threshold	b'000	4	
		b'001	10 (Default)	
		b'010	20	
		b'011	30	
		b'100	40	
		b'101	50	
		b'110	60	
IRC	Auto PWM_MASK Restore Interval Ratio Control	b'00	2 (Default)	
		b'01	4	

Addr 0x2C: PWM_MASK Control 4

Bit	7	6	5	4	3	2	1	0
Name	SHE	POE	X	X	X	HT2		

Name	Description	Value	Meaning	Ref.
HT2	Hold Time 2 apply start point (restore counter)	b'000	100 msec Hold Time	
		b'001	200 msec Hold Time	
		b'010	400 msec Hold Time	
		b'011	600 msec Hold Time (Default)	
		b'100	800 msec Hold Time	
		b'101	1 sec Hold Time	
		b'110	2 sec Hold Time	
POE	PWM off when Fault detected and PWM on when PWM_MASK Recover	b'0	Disable	
		b'1	Enable (Default)	
SHE	Second Hold time Enable	b'0	Disable (Default)	
		b'1	Enable	

Addr 0x2D: Master Volume Fine Control

Bit	7	6	5	4	3	2	1	0
Name	X	X	X	X	X	MVFC		

Name	Description	Value	Meaning	Ref.
MVFC	Master volume fine control	b'000 ~ b'111	0 dB ~ 0.5 dB with 0.0625 dB step	

Addr 0x2E~0x31: Master Volume, and Ch1/2/3 volume, respectively

Bit	7	6	5	4	3	2	1	0
Name	VOL							

Name	Description	Value	Meaning	Ref.
VOL	Volume control	b'00000000 ~ b'11111111	See volume control register tables. Reset default is 0 (0x00) (= -∞ dB)for Master and 207 (0xCF) for Channel	

Addr 0x32: Soft Volume Control

Bit	7	6	5	4	3	2	1	0
Name	X	X	X	X	X	X	SVI	

Name	Description	Value	Meaning	Ref.
SVI	Soft volume change	b'00	Medium speed	
		b'01	High speed	
		b'10	Low speed	
		b'11	soft volume change disable	

Addr 0x33: Auto-mute Control for CH1 & CH2

Bit	7	6	5	4	3	2	1	0
Name	X	EAMC	II		AT			

Name	Description	Value	Meaning	Ref.
AT	Auto-mute detection threshold	b'0000 ~ b'1111	Unsigned integer between 0 and 15	
II	Auto-mute response time	b'00	5 msec	
		b'01	50 msec	
		b'10	500 msec	
		b'11	2 sec	
EAMC	Effect of Auto-mute condition	b'0	Auto mute disable(No-Effect)	
		b'1	Continue switching if auto-mute	

Addr 0x34: Auto-mute Control for CH3

Bit	7	6	5	4	3	2	1	0
Name	X	EAMC	II		AT			

Name	Description	Value	Meaning	Ref.
AT	Auto-mute detection threshold	b'0000 ~ b'1111	Unsigned integer between 0 and 15	
II	Auto-mute response time	b'00	5 msec	
		b'01	50 msec	
		b'10	500 msec	
		b'11	2 sec	
EAMC	Effect of Auto-mute condition	b'0	Auto mute disable(No-Effect)	
		b'1	Continue switching if auto-mute	

Addr 0x35 : PWM output port Control for PWM port 1A & 1B

Bit	7	6	5	4	3	2	1	0
Name	X	X	OPM1B			OPM1A		

Name	Description	Value	Meaning	Ref.
OPM1A	Select source channel for PWM output port 1A	000	PWM1A is connected to PWM port 1A	
		001	PWM1B is connected to PWM port 1A	
		010	PWM2A is connected to PWM port 1A	
		011	PWM2B is connected to PWM port 1A	
		100	PWM3A is connected to PWM port 1A	
		101	PWM3B is connected to PWM port 1A	
OPM1B	Select source channel for PWM output port 1B	000	PWM1A is connected to PWM port 1B	
		001	PWM1B is connected to PWM port 1B	
		010	PWM2A is connected to PWM port 1B	
		011	PWM2B is connected to PWM port 1B	
		100	PWM3A is connected to PWM port 1B	
		101	PWM3B is connected to PWM port 1B	

Addr 0x36 : PWM output port Control for PWM port 2A & 2B

Bit	7	6	5	4	3	2	1	0
Name	X	X	OPM2B			OPM2A		

Name	Description	Value	Meaning	Ref.
OPM2A	Select source channel for PWM output port 2A	000	PWM1A is connected to PWM port 2A	
		001	PWM1B is connected to PWM port 2A	
		010	PWM2A is connected to PWM port 2A	
		011	PWM2B is connected to PWM port 2A	
		100	PWM3A is connected to PWM port 2A	
		101	PWM3B is connected to PWM port 2A	
OPM2B	Select source channel for PWM output port 2B	000	PWM1A is connected to PWM port 2B	
		001	PWM1B is connected to PWM port 2B	
		010	PWM2A is connected to PWM port 2B	
		011	PWM2B is connected to PWM port 2B	
		100	PWM3A is connected to PWM port 2B	
		101	PWM3B is connected to PWM port 2B	

Addr 0x37 : PWM output port Control for PWM port 3A & 3B

Bit	7	6	5	4	3	2	1	0
Name	X	X	OPM3B			OPM3A		

Name	Description	Value	Meaning	Ref.
OPM3A	Select source channel for PWM output port 3A	000	PWM1A is connected to PWM port 3A	
		001	PWM1B is connected to PWM port 3A	
		010	PWM2A is connected to PWM port 3A	
		011	PWM2B is connected to PWM port 3A	
		100	PWM3A is connected to PWM port 3A	
		101	PWM3B is connected to PWM port 3A	
OPM3B	Select source channel for PWM output port 3B	000	PWM1A is connected to PWM port 3B	
		001	PWM1B is connected to PWM port 3B	
		010	PWM2A is connected to PWM port 3B	
		011	PWM2B is connected to PWM port 3B	

		100	PWM3A is connected to PWM port 3B	
		101	PWM3B is connected to PWM port 3B	

Addr 0x38: Miscellaneous PWM Control

Bit	7	6	5	4	3	2	1	0
Name	X	X	X	POL	BHL	AHL	MD	

Name	Description	Value	Meaning	Ref.
MD	PWM output mode	b'00	AD mode with asynchronous signal pair	
		b'01	AD mode with synchronous signal pair	
		b'10	PWM D-BTL MODE (see 0x4E)	
		b'11	AM Interference mode	
AHL	A-out state When switching off	b'0	Low	
		b'1	High	
BHL	B-out state when switching off	b'0	Low	
		b'1	High	
POL	Ch3 polarity Control	b'0	Normal	
		b'1	Inverse	

Addr 0x39: I2C Glitch filter

Bit	7	6	5	4	3	2	1	0
Name	GFO	DUR						

Name	Description	Value	Meaning	Ref.
DUR	glitch width	b'0000000 ~ b'1111111	minimum pulse width = DUR + 20 ns reset default = 15 * 10 ns (DUR default = b'0001111)	
GFO	Glitch filter enable/disable	b'0	Glitch filter on	
		b'1	Bypass	

Addr 0x3A : Headphone Mute Control

Bit	7	6	5	4	3	2	1	0
Name	X	X	X	X	X	X	X	HP_MUTE

Name	Description	Value	Meaning	Ref.
HP_MUTE	Use this register to mute external headphone	b'0	Default. External headphone is muted by active low signal	
		b'1	External headphone is muted by active high signal.	

Reserved addr 0x3B~0x49

Addr 0x4A : SE Soft Start Control 0

Bit	7	6	5	4	3	2	1	0
Name	X	X	X	X	X	X	X	SSE

Name	Description	Value	Meaning	Ref.
SSE	SE_STE	b'0	SE Soft Start Disable (SE Normal Start)	
		b'1	SE Soft Start Enable	

Addr 0x4B : SE Soft Start Control 1

Bit	7	6	5	4	3	2	1	0
Name	X	SSC						

Name	Description	Value	Meaning	Ref.
SSC	SE_CHARGE_TIME	0x00~0x7F	PWM output delay time from point of PWM STBY signal to high. The unit of 1bit is 10ns. (default : 0x22)	

Addr 0x4C : SE Soft Start Control 2

Bit	7	6	5	4	3	2	1	0
Name	SSR							

Name	Description	Value	Meaning	Ref.
SSR	SE_REAPEAT	0x01 ~ 0xFF	The repeat time of se soft start (default: 1 – means repeat 1 times)	

Addr 0x4D : SE Soft Start Control 3

Bit	7	6	5	4	3	2	1	0
Name	SPD							

Name	Description	Value	Meaning	Ref.
SPD	SE_PERIOD	0x01 ~ 0x7E	Half period of PWM output start point. The unit of 1bit is 10ns. (default : 0x01 – means half period 20ns)	

Addr 0x4E : PWM D-BTL MODE Control 0

Bit	7	6	5	4	3	2	1	0
Name	X	MLP						

Name	Description	Value	Meaning	Ref.
MLP	Minimum Linear pulse length	b'0001000	Unsigned 0~127	

Reserved addr 0x4F

Addr 0x50 : PWM D-BTL Mode Control 1

Bit	7	6	5	4	3	2	1	0	
Name	X							NSS	

Name	Description	Value	Meaning	Ref.
NSS	NS Select	b'00	7bits NS (AD mode)	
		b'01	Reserved	
		b'10	8bits NS	
		b'11	New 8bits NS (D-BTL mode)	

Addr 0x51 : PWM Phase Control

Bit	7	6	5	4	3	2	1	0
Name	PPC				PFC			

Name	Description	Value	Meaning	Ref.
PFC	PWM phase Fine Control	b'0000 ~ b'1001	PPC level 1.66° step	In Single ended mode, fixed as PFC = b'0000, and PPC = b' 0110 (90°)
PPC	PWM Phase Control	b'0000 ~ b'1100	b'0000 (0°) ~ b'1100(180°), width:15° default : b'0110	

Addr 0x52 : PWM Soft start

Bit	7	6	5	4	3	2	1	0
Name	PSE	SRT						

Name	Description	Value	Meaning	Ref.
SRT	Step Repeat Time	b'000000 ~ b'111111	The repeat time of each step (default : b'0010000 – means repeat 17 times)	
PSE	BTL PWM soft start Enable	b'0	Disable	In Single Ended Mode, should be disabled
		b'1	Enable (Default)	

Addr 0x53: Power Meter Control

Bit	7	6	5	4	3	2	1	0
Name	X	X	X	PDPOS	X	X	PDCH	

Name	Description	Value	Meaning	Ref.
PDCH	Power meter Detect Channel	00	L+R (default)	
		01	L channel	
		10	R channel	
		11	reserved	
PDPOS	Power meter Detect Position	0	After volume (default)	
		1	Before volume	

Addr 0x54: Power Meter (read-only)

Bit	7	6	5	4	3	2	1	0
Name	0	0	0	0	0	0	0	0

Addr 0x55: Modulation Index & NS-Type Control

Bit	7	6	5	4	3	2	1	0
Name	X	M0		NT	MD3		MD12	

Name	Description	Value	Meaning	Ref.
MD12	Modulation index	b'11	Minimum pulse width = 2	

	control by Minimum pulse width for Ch 1&2	b'10	Minimum pulse width = 4
		b'01	Minimum pulse width = 6
		b'00	Minimum pulse width = 8
MD3	Modulation index control by Minimum pulse width for Ch 3	b'11	Minimum pulse width = 2
		b'10	Minimum pulse width = 4
		b'01	Minimum pulse width = 6
		b'00	Minimum pulse width = 8
NT	Noise shaping Type for Ch 1&2	b'0	Type 1 (fourth order)
		b'1	Type 2 (fifth order)
M0	Dither Position Selector	b'00	No left shift on dither value = Dither off
		b'01	1bit left shift on dither value
		b'10	2bit left shift on dither value
		b'11	3bit left shift on dither value

Reserved addr 0x56~0x5D

Addr 0x5E: System Error Status (Read-only)

Bit	7	6	5	4	3	2	1	0
Name	FSI				MPW	LSRC	ULCK	PPM

Name	Description	Value	Meaning	Ref.
PPM	Permanent PWM_MASK Indication flag	b'0		
		b'1	Indicated that PWM_MASK is in Permanent LOW state	
ULCK	Sampled PLL Unlock error	b'0	PLL is locked state.	
		b'1	PLL is unlocked state.	
LSRC	SRC lock status	b'0	SRC is unlocked state.	
		b'1	SRC is locked state	
MPW	MCK/WCK Ratio error	b'0	Ratio is incorrect.	
		b'1	Ratio is correct.	
FSI	Sampling Frequency Information	b'0000	8 kHz	
		b'0001	11.025 KHz	
		b'0010	12 kHz	
		b'0011	16 kHz	
		b'0100	22.025kHz	
		b'0101	24 kHz	
		b'0110	32 kHz	
		b'0111	44.1 kHz	
		b'1000	48 kHz	
		b'1001	88.2 kHz	
		b'1010	96 kHz	
		b'1011	192 kHz	

Reserved addr 0x5F~0x60

Addr 0x61: I2S Glitch filter

Bit	7	6	5	4	3	2	1	0
Name	GFE	WTH						

Name	Description	Value	Meaning	Ref.
------	-------------	-------	---------	------

WTH	glitch width	b'0000000 ~ b'1111111	minimum pulse width = WTH + 20 ns reset default = 1 * 10 ns (WTH default = b'0000001)
GFE	Glitch filter enable/disable	b'0	Glitch filter on
		b'1	Bypass

Addr 0x62: Driver Control

Bit	7	6	5	4	3	2	1	0
Name	X	X	X	SB	PM		KMS	X

Name	Description	Value	Meaning	Ref.
KMS	Fault glitch elimination	b'0	fault glitch elimination filter off	
		b'1	fault glitch elimination filter on	
PM	PWM Mode	00	Normal Operation	
		01	1 chip 2.1 channel mode (Single Ended Mode) cf) Should be disable 0x52 PSE	
		10	1 chip 2.0 channel mode or 2.1 channel with external power stage (BTL Mode) cf) Should be disable 0x4A SSE	
SB	Stand-by in 2 channel mode	0	Stand-by	
		1	No stand-by	

Reserved addr 0x63~0x7D

Addr 0x7E: Bi-Quad Filter Coefficient Page

Bit	7	6	5	4	3	2	1	0
Name	X	X	X	X	PEQ	CH3	CH2	CH1

Name	Description	Value	Meaning	Ref.
CH1	Coefficient write enable	b'0	Disable coefficient write for ch1	
		b'1	Enable coefficient write for ch1	
CH2	Coefficient write enable	b'0	Disable coefficient write for ch2	
		b'1	Enable coefficient write for ch2	
CH3	Coefficient write enable	b'0	Disable coefficient write for ch3	
		b'1	Enable coefficient write for ch3	
PEQ	Coefficient write enable	b'0	Disable coefficient write for PEQ	
		b'1	Enable coefficient write for PEQ	

Ref) In convenience, a device programmer can write same biquad filter coefficients for CH1 and CH2 at a single time by setting Reg 0x7E as "x03". See the next pages to know register map and biquad filter.

Addr 0x7F: Chip ID 0x99

B. ROM address for BiQuads Coefficients and Parameters (Refer to Reg 0x7E)

CH1&CH2 BiQuad Coefficients & Parameters

The value of Reg 0x7E should be 0x01, 0x02 to program BiQuad coefficients and parameters only for channel 1 and channel 2, respectively. In case of Reg 0x7E = "0x03", same values will be applied to channel 1 and 2.

Caution! To program one BiQuad filter, five coefficients (b0,b1,b2,a1,a2) should be written consecutively in incremental address. Otherwise, the chip may be in malfunction mode. Same rule will be applied for channel 3 and Tone Control programming.

Address (decimal)	Address (hexadecimal)	REG 0x7E			description	default in hex
		CH1 only	CH2 only	Both		
0	0x00	0x01	0x02	x03	FBQ1 b0	0x11000000
1	0x01	0x01	0x02	x03	FBQ1 b1	0x20000000
2	0x02	0x01	0x02	x03	FBQ1 b2	0x20000000
3	0x03	0x01	0x02	x03	FBQ1 a1	0x20000000
4	0x04	0x01	0x02	x03	FBQ1 a2	0x20000000
5	0x05	0x01	0x02	x03	FBQ2 b0	0x11000000
6	0x06	0x01	0x02	x03	FBQ2 b1	0x20000000
7	0x07	0x01	0x02	x03	FBQ2 b2	0x20000000
8	0x08	0x01	0x02	x03	FBQ2 a1	0x20000000
9	0x09	0x01	0x02	x03	FBQ2 a2	0x20000000
10	0x0A	0x01	0x02	x03	3D BQ1 b0	0x11000000
11	0x0B	0x01	0x02	x03	3D BQ1 b1	0x20000000
12	0x0C	0x01	0x02	x03	3D BQ1 b2	0x20000000
13	0x0D	0x01	0x02	x03	3D BQ1 a1	0x20000000
14	0x0E	0x01	0x02	x03	3D BQ1 a2	0x20000000
15	0x0F	0x01	0x02	x03	3D BQ2 b0	0x11000000
16	0x10	0x01	0x02	x03	3D BQ2 b1	0x20000000
17	0x11	0x01	0x02	x03	3D BQ2 b2	0x20000000
18	0x12	0x01	0x02	x03	3D BQ2 a1	0x20000000
19	0x13	0x01	0x02	x03	3D BQ2 a2	0x20000000
20	0x14	0x01	0x02	x03	PBQ1 b0	0x11000000
21	0x15	0x01	0x02	x03	PBQ1 b1	0x20000000
22	0x16	0x01	0x02	x03	PBQ1 b2	0x20000000
23	0x17	0x01	0x02	x03	PBQ1 a1	0x20000000
24	0x18	0x01	0x02	x03	PBQ1 a2	0x20000000
25	0x19	0x01	0x02	x03	PBQ2 b0	0x11000000
26	0x1A	0x01	0x02	x03	PBQ2 b1	0x20000000
27	0x1B	0x01	0x02	x03	PBQ2 b2	0x20000000
28	0x1C	0x01	0x02	x03	PBQ2 a1	0x20000000
29	0x1D	0x01	0x02	x03	PBQ2 a2	0x20000000
30	0x1E	0x01	0x02	x03	PBQ3 b0	0x11000000
31	0x1F	0x01	0x02	x03	PBQ3 b1	0x20000000
32	0x20	0x01	0x02	x03	PBQ3 b2	0x20000000
33	0x21	0x01	0x02	x03	PBQ3 a1	0x20000000
34	0x22	0x01	0x02	x03	PBQ3 a2	0x20000000
35	0x23	0x01	0x02	x03	PBQ4 b0	0x11000000
36	0x24	0x01	0x02	x03	PBQ4 b1	0x20000000

Address (decimal)	Address (hexadecimal)	REG 0x7E			description	default in hex
		CH1 only	CH2 only	Both		
37	0x25	0x01	0x02	x03	PBQ4 b2	0x20000000
38	0x26	0x01	0x02	x03	PBQ4 a1	0x20000000
39	0x27	0x01	0x02	x03	PBQ4 a2	0x20000000
40	0x28	0x01	0x02	x03	PBQ5 b0	0x11000000
41	0x29	0x01	0x02	x03	PBQ5 b1	0x20000000
42	0x2A	0x01	0x02	x03	PBQ5 b2	0x20000000
43	0x2B	0x01	0x02	x03	PBQ5 a1	0x20000000
44	0x2C	0x01	0x02	x03	PBQ5 a2	0x20000000
45	0x2D	0x01	0x02	x03	PBQ6 b0	0x11000000
46	0x2E	0x01	0x02	x03	PBQ6 b1	0x20000000
47	0x2F	0x01	0x02	x03	PBQ6 b2	0x20000000
48	0x30	0x01	0x02	x03	PBQ6 a1	0x20000000
49	0x31	0x01	0x02	x03	PBQ6 a2	0x20000000
50	0x32	0x01	0x02	x03	PBQ7 b0	0x11000000
51	0x33	0x01	0x02	x03	PBQ7 b1	0x20000000
52	0x34	0x01	0x02	x03	PBQ7 b2	0x20000000
53	0x35	0x01	0x02	x03	PBQ7 a1	0x20000000
54	0x36	0x01	0x02	x03	PBQ7 a2	0x20000000
55	0x37	0x01	0x02	x03	PBQ8 b0	0x11000000
56	0x38	0x01	0x02	x03	PBQ8 b1	0x20000000
57	0x39	0x01	0x02	x03	PBQ8 b2	0x20000000
58	0x3A	0x01	0x02	x03	PBQ8 a1	0x20000000
59	0x3B	0x01	0x02	x03	PBQ8 a2	0x20000000
60	0x3C	0x01	0x02	x03	3D Mixer M1	0x20000000
61	0x3D	0x01	0x02	x03	3D Mixer M2	0x20000000
62	0x3E	0x01	0x02	x03	Loudness gain 1	0x20000000
63	0x3F	0x01	0x02	x03	Loudness gain 2	0x20000000
64	0x40	0x01	0x02	x03	Loudness gain 3	0x20000000
65	0x41			x03	AGC BQ b0	0x11000000
66	0x42			x03	AGC BQ b1	0x20000000
67	0x43			x03	AGC BQ b2	0x20000000
68	0x44			x03	AGC BQ a1	0x20000000
69	0x45			x03	AGC BQ a2	0x20000000
70	0x46			x03	QMF_BQ1 b0	0x0D31EAD7
71	0x47			x03	QMF_BQ1 b1	0x0B1404D4
72	0x48			x03	QMF_BQ1 b2	0x0A140503
73	0x49			x03	QMF_BQ1 a1	0x1164C41A
74	0x4A			x03	QMF_BQ1 a2	0x10D27EE0
75	0x4B			x03	QMF_BQ2 b0	0x0D31EAD7
76	0x4C			x03	QMF_BQ2 b1	0x0D31EA65
77	0x4D			x03	QMF_BQ2 b2	0x20000000
78	0x4E			x03	QMF_BQ2 a1	0x10521801
79	0x4F			x03	QMF_BQ2 a2	0x20000000
80	0x50			x03	QMF_BQ3 b0	0x10680650
81	0x51			x03	QMF_BQ3 b1	0x11E8069C
82	0x52			x03	QMF_BQ3 b2	0x106806E8
83	0x53			x03	QMF_BQ3 a1	0x1164C41A
84	0x54			x03	QMF_BQ3 a2	0x10D27EE0
85	0x55			x03	QMF_BQ4 b0	0x10680650
86	0x56			x03	QMF_BQ4 b1	0x10E805B8
87	0x57			x03	QMF_BQ4 b2	0x20000000
88	0x58			x03	QMF_BQ4 a1	0x10521801
89	0x59			x03	QMF_BQ4 a2	0x20000000

Address (decimal)	Address (hexadecimal)	REG 0x7E			description	default in hex
		CH1 only	CH2 only	Both		
90	0x5A			x03	Attack_low BQ b0	0x0318B4A4
91	0x5B			x03	Attack_low BQ b1	0x0418B4A4
92	0x5C			x03	Attack_low BQ b2	0x0318B4A4
93	0x5D			x03	Attack_low BQ a1	0x117BA189
94	0x5E			x03	Attack_low BQ a2	0x10F75628
95	0x5F			x03	Attack_high BQ b0	0x0318B4A4
96	0x60			x03	Attack_high BQ b1	0x0418B4A4
97	0x61			x03	Attack_high BQ b2	0x0318B4A4
98	0x62			x03	Attack_high BQ a1	0x117BA189
99	0x63			x03	Attack_high BQ a2	0x10F75628
100	0x64			x03	Release Gain L	0x107FFF0F
101	0x65			x03	Release Gain H	0x107FFF0F
102	0x66			x03	THD Gain L	0x11000000
103	0x67			x03	THD Gain H	0x11000000
104	0x68			x03	PowerMeter_Gain	0x107FFB49
105	0x69			x03	Attack Gain Low	0x11000000
106	0x6A			x03	Attack Gain High	0x11000000
107	0x6B			x03	Attack Gain Post	0x11000000

CH3 BiQuad Coefficients & Parameters

To program BiQuad filter coefficients and parameters for channel 3, the value of Reg 0x7E should be "0x04". Also, five coefficients should be consecutively in incremental address form to program one BiQuad filter.

Address (decimal)	Address (hexadecimal)	REG 0x7E	description	default in hex
0	0x00	0x04	FBQ1 b0	0x11000000
1	0x01	0x04	FBQ1 b1	0x20000000
2	0x02	0x04	FBQ1 b2	0x20000000
3	0x03	0x04	FBQ1 a1	0x20000000
4	0x04	0x04	FBQ1 a2	0x20000000
5	0x05	0x04	FBQ2 b0	0x11000000
6	0x06	0x04	FBQ2 b1	0x20000000
7	0x07	0x04	FBQ2 b2	0x20000000
8	0x08	0x04	FBQ2 a1	0x20000000
9	0x09	0x04	FBQ2 a2	0x20000000
10	0x0A	0x04	PBQ1 b0	0x11000000
11	0x0B	0x04	PBQ1 b1	0x20000000
12	0x0C	0x04	PBQ1 b2	0x20000000
13	0x0D	0x04	PBQ1 a1	0x20000000
14	0x0E	0x04	PBQ1 a2	0x20000000
15	0x0F	0x04	PBQ2 b0	0x11000000
16	0x10	0x04	PBQ2 b1	0x20000000
17	0x11	0x04	PBQ2 b2	0x20000000
18	0x12	0x04	PBQ2 a1	0x20000000
19	0x13	0x04	PBQ2 a2	0x20000000
20	0x14	0x04	PBQ3 b0	0x11000000

Address (decimal)	Address (hexadecimal)	REG 0x7E	description	default in hex
21	0x15	0x04	PBQ3 b1	0x20000000
22	0x16		PBQ3 b2	0x20000000
23	0x17		PBQ3 a1	0x20000000
24	0x18		PBQ3 a2	0x20000000
25	0x19	0x04	Attack SW BQ b0	0x0318B4A4
26	0x1A		Attack SW BQ b1	0x0418B4A4
27	0x1B		Attack SW BQ b2	0x0318B4A4
28	0x1C		Attack SW BQ a1	0x117BA189
29	0x1D		Attack SW BQ a2	0x10F75628
30	0x1E	0x04	Loudness gain 1	0x20000000
31	0x1F		Loudness gain 2	0x20000000
32	0x20		Loudness gain 3	0x20000000
33	0x21		Release Gain SW	0x107FFE1D
34	0x22		THD Gain SW	0x11000000
35	0x23	0x04	Attack Gain SW	0x11000000

BiQuad Coefficients for Programmable Equalizer (PEQ)

PEQ BiQuad filters are programmed after setting Reg 0x7E as “0x08”. Also, five coefficients should be consecutively in incremental address form to program one BiQuad filter.

address (decimal)	address (hexadecimal)	REG 0x7E	description	default in hex
		PEQ		
0	0x00	0x08	PEQ CH1 BQ1 b0	0x11000000
1	0x01		PEQ CH1 BQ1 b1	0x20000000
2	0x02		PEQ CH1 BQ1 b2	0x20000000
3	0x03		PEQ CH1 BQ1 a1	0x20000000
4	0x04		PEQ CH1 BQ1 a2	0x20000000
5	0x05	0x08	PEQ CH1 BQ2 b0	0x11000000
6	0x06		PEQ CH1 BQ2 b1	0x20000000
7	0x07		PEQ CH1 BQ2 b2	0x20000000
8	0x08		PEQ CH1 BQ2 a1	0x20000000
9	0x09		PEQ CH1 BQ2 a2	0x20000000
10	0x0A	0x08	PEQ CH1 BQ3 b0	0x11000000
11	0x0B		PEQ CH1 BQ3 b1	0x20000000
12	0x0C		PEQ CH1 BQ3 b2	0x20000000
13	0x0D		PEQ CH1 BQ3 a1	0x20000000
14	0x0E		PEQ CH1 BQ3 a2	0x20000000
15	0x0F	0x08	PEQ CH1 BQ4 b0	0x11000000
16	0x10		PEQ CH1 BQ4 b1	0x20000000
17	0x11		PEQ CH1 BQ4 b2	0x20000000
18	0x12		PEQ CH1 BQ4 a1	0x20000000
19	0x13		PEQ CH1 BQ4 a2	0x20000000
20	0x14	0x08	PEQ CH1 BQ5 b0	0x11000000
21	0x15		PEQ CH1 BQ5 b1	0x20000000
22	0x16		PEQ CH1 BQ5 b2	0x20000000
23	0x17		PEQ CH1 BQ5 a1	0x20000000
24	0x18		PEQ CH1 BQ5 a2	0x20000000
25	0x19	0x08	PEQ CH2 BQ1 b0	0x11000000

address (decimal)	address (hexadecimal)	REG 0x7E		description	default in hex
		PEQ			
26	0x1A		0x08	PEQ CH2 BQ1 b1	0x20000000
27	0x1B		0x08	PEQ CH2 BQ1 b2	0x20000000
28	0x1C		0x08	PEQ CH2 BQ1 a1	0x20000000
29	0x1D		0x08	PEQ CH2 BQ1 a2	0x20000000
30	0x1E		0x08	PEQ CH2 BQ2 b0	0x11000000
31	0x1F		0x08	PEQ CH2 BQ2 b1	0x20000000
32	0x20		0x08	PEQ CH2 BQ2 b2	0x20000000
33	0x21		0x08	PEQ CH2 BQ2 a1	0x20000000
34	0x22		0x08	PEQ CH2 BQ2 a2	0x20000000
35	0x23		0x08	PEQ CH2 BQ3 b0	0x11000000
36	0x24		0x08	PEQ CH2 BQ3 b1	0x20000000
37	0x25		0x08	PEQ CH2 BQ3 b2	0x20000000
38	0x26		0x08	PEQ CH2 BQ3 a1	0x20000000
39	0x27		0x08	PEQ CH2 BQ3 a2	0x20000000
40	0x28		0x08	PEQ CH2 BQ4 b0	0x11000000
41	0x29		0x08	PEQ CH2 BQ4 b1	0x20000000
42	0x2A		0x08	PEQ CH2 BQ4 b2	0x20000000
43	0x2B		0x08	PEQ CH2 BQ4 a1	0x20000000
44	0x2C		0x08	PEQ CH2 BQ4 a2	0x20000000
45	0x2D		0x08	PEQ CH2 BQ5 b0	0x11000000
46	0x2E		0x08	PEQ CH2 BQ5 b1	0x20000000
47	0x2F		0x08	PEQ CH2 BQ5 b2	0x20000000
48	0x30		0x08	PEQ CH2 BQ5 a1	0x20000000
49	0x31		0x08	PEQ CH2 BQ5 a2	0x20000000

C. Configuration Resistor Value Reference

Master & Channel Volume

Index	dB	Index	dB	Index	dB	Index	dB	Index	dB	Index	dB
FF	24	D4	2.5	A9	-19	7E	-40.5	53	-62	28	-83.5
FE	23.5	D3	2	A8	-19.5	7D	-41	52	-62.5	27	-84
FD	23	D2	1.5	A7	-20	7C	-41.5	51	-63	26	-84.5
FC	22.5	D1	1	A6	-20.5	7B	-42	50	-63.5	25	-85
FB	22	D0	0.5	A5	-21	7A	-42.5	4F	-64	24	-85.5
FA	21.5	CF	0	A4	-21.5	79	-43	4E	-64.5	23	-86
F9	21	CE	-0.5	A3	-22	78	-43.5	4D	-65	22	-86.5
F8	20.5	CD	-1	A2	-22.5	77	-44	4C	-65.5	21	-87
F7	20	CC	-1.5	A1	-23	76	-44.5	4B	-66	20	-87.5
F6	19.5	CB	-2	A0	-23.5	75	-45	4A	-66.5	1F	-88
F5	19	CA	-2.5	9F	-24	74	-45.5	49	-67	1E	-88.5
F4	18.5	C9	-3	9E	-24.5	73	-46	48	-67.5	1D	-89
F3	18	C8	-3.5	9D	-25	72	-46.5	47	-68	1C	-89.5
F2	17.5	C7	-4	9C	-25.5	71	-47	46	-68.5	1B	-90
F1	17	C6	-4.5	9B	-26	70	-47.5	45	-69	1A	-90.5
F0	16.5	C5	-5	9A	-26.5	6F	-48	44	-69.5	19	-91
EF	16	C4	-5.5	99	-27	6E	-48.5	43	-70	18	-91.5
EE	15.5	C3	-6	98	-27.5	6D	-49	42	-70.5	17	-92
ED	15	C2	-6.5	97	-28	6C	-49.5	41	-71	16	-92.5
EC	14.5	C1	-7	96	-28.5	6B	-50	40	-71.5	15	-93
EB	14	C0	-7.5	95	-29	6A	-50.5	3F	-72	14	-93.5
EA	13.5	BF	-8	94	-29.5	69	-51	3E	-72.5	13	-94
E9	13	BE	-8.5	93	-30	68	-51.5	3D	-73	12	-94.5
E8	12.5	BD	-9	92	-30.5	67	-52	3C	-73.5	11	-95
E7	12	BC	-9.5	91	-31	66	-52.5	3B	-74	10	-95.5
E6	11.5	BB	-10	90	-31.5	65	-53	3A	-74.5	0F	-96
E5	11	BA	-10.5	8F	-32	64	-53.5	39	-75	0E	-96.5
E4	10.5	B9	-11	8E	-32.5	63	-54	38	-75.5	0D	-97
E3	10	B8	-11.5	8D	-33	62	-54.5	37	-76	0C	-97.5
E2	9.5	B7	-12	8C	-33.5	61	-55	36	-76.5	0B	-98
E1	9	B6	-12.5	8B	-34	60	-55.5	35	-77	0A	-98.5
E0	8.5	B5	-13	8A	-34.5	5F	-56	34	-77.5	9	-99
DF	8	B4	-13.5	89	-35	5E	-56.5	33	-78	8	-99.5
DE	7.5	B3	-14	88	-35.5	5D	-57	32	-78.5	7	-100
DD	7	B2	-14.5	87	-36	5C	-57.5	31	-79	6	-110
DC	6.5	B1	-15	86	-36.5	5B	-58	30	-79.5	5	-120
DB	6	B0	-15.5	85	-37	5A	-58.5	2F	-80	4	-130
DA	5.5	AF	-16	84	-37.5	59	-59	2E	-80.5	3	-140
D9	5	AE	-16.5	83	-38	58	-59.5	2D	-81	2	-150
D8	4.5	AD	-17	82	-38.5	57	-60	2C	-81.5	1	-150
D7	4	AC	-17.5	81	-39	56	-60.5	2B	-82	0	-150
D6	3.5	AB	-18	80	-39.5	55	-61	2A	-82.5		
D5	3	AA	-18.5	7F	-40	54	-61.5	29	-83		

Mixer Gain & Polarity

Index	Polarity	dB	Index	Polarity	dB	Index	Polarity	dB	Index	Polarity	dB
7E	+	18	7D	-	18	3E	+	-4	3D	-	-4
7C	+	17	7B	-	17	3C	+	-4.5	3B	-	-4.5
7A	+	16	79	-	16	3A	+	-5	39	-	-5
78	+	15	77	-	15	38	+	-5.5	37	-	-5.5
76	+	14	75	-	14	36	+	-6	35	-	-6
74	+	13	73	-	13	34	+	-7	33	-	-7
72	+	12	71	-	12	32	+	-8	31	-	-8
70	+	11	6F	-	11	30	+	-9	2F	-	-9
6E	+	10	6D	-	10	2E	+	-10	2D	-	-10
6C	+	9	6B	-	9	2C	+	-11	2B	-	-11
6A	+	8	69	-	8	2A	+	-12	29	-	-12
68	+	7	67	-	7	28	+	-13	27	-	-13
66	+	6	65	-	6	26	+	-14	25	-	-14
64	+	5.5	63	-	5.5	24	+	-15	23	-	-15
62	+	5	61	-	5	22	+	-16	21	-	-16
60	+	4.5	5F	-	4.5	20	+	-17	1F	-	-17
5E	+	4	5D	-	4	1E	+	-18	1D	-	-18
5C	+	3.5	5B	-	3.5	1C	+	-19	1B	-	-19
5A	+	3	59	-	3	1A	+	-20	19	-	-20
58	+	2.5	57	-	2.5	18	+	-21	17	-	-21
56	+	2	55	-	2	16	+	-22	15	-	-22
54	+	1.5	53	-	1.5	14	+	-23	13	-	-23
52	+	1	51	-	1	12	+	-24	11	-	-24
50	+	0.5	4F	-	0.5	10	+	-25	0F	-	-25
4E	+	0	4D	-	0	0E	+	-26	0D	-	-26
4C	+	-0.5	4B	-	-0.5	0C	+	-27	0B	-	-27
4A	+	-1	49	-	-1	0A	+	-28	09	-	-28
48	+	-1.5	47	-	-1.5	08	+	-29	07	-	-29
46	+	-2	45	-	-2	06	+	-30	05	-	-30
44	+	-2.5	43	-	-2.5	04	+	-31	03	-	-31
42	+	-3	41	-	-3	02	+	-32	01	-	-32
40	+	-3.5	3F	-	-3.5	00	+	-150			

Dynamic Range Control Threshold

dB	Value	dB	Value	dB	Value	dB	Value
-57	FF	-5.5	BF	-2.3	7F	0.9	3F
-54	FD	-5.4	BD	-2.2	7D	1	3D
-51	FB	-5.3	BB	-2.1	7B	1.25	3B
-48	F9	-5.2	B9	-2	79	1.5	39
-45	F7	-5.1	B7	-1.9	77	1.75	37
-42	F5	-5	B5	-1.8	75	2	35
-39	F3	-4.9	B3	-1.7	73	2.25	33
-36	F1	-4.8	B1	-1.6	71	2.5	31
-33	EF	-4.7	AF	-1.5	6F	2.75	2F
-30	ED	-4.6	AD	-1.4	6D	3	2D
-27	EB	-4.5	AB	-1.3	6B	3.25	2B
-24	E9	-4.4	A9	-1.2	69	3.5	29
-21	E7	-4.3	A7	-1.1	67	3.75	27
-18	E5	-4.2	A5	-1	65	4	25
-15	E3	-4.1	A3	-0.9	63	4.25	23
-12	E1	-4	A1	-0.8	61	4.5	21
-11.5	DF	-3.9	9F	-0.7	5F	4.75	1F
-11	DD	-3.8	9D	-0.6	5D	5	1D
-10.5	DB	-3.7	9B	-0.5	5B	5.5	1B
-10	D9	-3.6	99	-0.4	59	6	19
-9.5	D7	-3.5	97	-0.3	57	6.5	17
-9	D5	-3.4	95	-0.2	55	7	15
-8.5	D3	-3.3	93	-0.1	53	7.5	13
-8	D1	-3.2	91	0	51	8	11
-7.5	CF	-3.1	8F	0.1	4F	8.5	0F
-7	CD	-3	8D	0.2	4D	9	0D
-6.5	CB	-2.9	8B	0.3	4B	9.5	0B
-6	C9	-2.8	89	0.4	49	10	09
-5.9	C7	-2.7	87	0.5	47	10.5	07
-5.8	C5	-2.6	85	0.6	45	11	05
-5.7	C3	-2.5	83	0.7	43	11.5	03
-5.6	C1	-2.4	81	0.8	41	12	01

※ CPR bit = 1

※

Auto Mute Detection Threshold Table

Name	Description	Value	dB
AT	Auto-mute Detection threshold	0000	-126
		0001	-120
		0010	-114
		0011	-108
		0100	-102
		0101	-96
		0110	-90
		0111	-84
		1000	-78
		1001	-72
		1010	-66
		1011	-60
		1100	-54
		1101	-48
		1110	-42
1111	Auto-mute		

※ Do not use value 1111.

Power Meter Reading Table

addr 0x54 (Decimal)	addr 0x54 (Hex)	dB	addr 0x54 (Decimal)	addr 0x54 (Hex)	dB	addr 0x54 (Decimal)	addr 0x54 (Hex)	dB	addr 0x54 (Decimal)	addr 0x54 (Hex)	dB
0	0x00	-0.0	64	0x40	-32.0	128	0x80	-64.0	192	0xC0	-96.0
1	0x01	-0.5	65	0x41	-32.5	129	0x81	-64.5	193	0xC1	-96.5
2	0x02	-1.0	66	0x42	-33.0	130	0x82	-65.0	194	0xC2	-97.0
3	0x03	-1.5	67	0x43	-33.5	131	0x83	-65.5	195	0xC3	-97.5
4	0x04	-2.0	68	0x44	-34.0	132	0x84	-66.0	196	0xC4	-98.0
5	0x05	-2.5	69	0x45	-34.5	133	0x85	-66.5	197	0xC5	-98.5
6	0x06	-3.0	70	0x46	-35.0	134	0x86	-67.0	198	0xC6	-99.0
7	0x07	-3.5	71	0x47	-35.5	135	0x87	-67.5	199	0xC7	-99.5
8	0x08	-4.0	72	0x48	-36.0	136	0x88	-68.0	200	0xC8	-100.0
9	0x09	-4.5	73	0x49	-36.5	137	0x89	-68.5	201	0xC9	-100.5
10	0x0A	-5.0	74	0x4A	-37.0	138	0x8A	-69.0	202	0xCA	-101.0
11	0x0B	-5.5	75	0x4B	-37.5	139	0x8B	-69.5	203	0xCB	-101.5
12	0x0C	-6.0	76	0x4C	-38.0	140	0x8C	-70.0	204	0xCC	-102.0
13	0x0D	-6.5	77	0x4D	-38.5	141	0x8D	-70.5	205	0xCD	-102.5
14	0x0E	-7.0	78	0x4E	-39.0	142	0x8E	-71.0	206	0xCE	-103.0
15	0x0F	-7.5	79	0x4F	-39.5	143	0x8F	-71.5	207	0xCF	-103.5
16	0x10	-8.0	80	0x50	-40.0	144	0x90	-72.0	208	0xD0	-104.0
17	0x11	-8.5	81	0x51	-40.5	145	0x91	-72.5	209	0xD1	-104.5
18	0x12	-9.0	82	0x52	-41.0	146	0x92	-73.0	210	0xD2	-105.0
19	0x13	-9.5	83	0x53	-41.5	147	0x93	-73.5	211	0xD3	-105.5
20	0x14	-10.0	84	0x54	-42.0	148	0x94	-74.0	212	0xD4	-106.0
21	0x15	-10.5	85	0x55	-42.5	149	0x95	-74.5	213	0xD5	-106.5
22	0x16	-11.0	86	0x56	-43.0	150	0x96	-75.0	214	0xD6	-107.0
23	0x17	-11.5	87	0x57	-43.5	151	0x97	-75.5	215	0xD7	-107.5
24	0x18	-12.0	88	0x58	-44.0	152	0x98	-76.0	216	0xD8	-108.0
25	0x19	-12.5	89	0x59	-44.5	153	0x99	-76.5	217	0xD9	-108.5
26	0x1A	-13.0	90	0x5A	-45.0	154	0x9A	-77.0	218	0xDA	-109.0
27	0x1B	-13.5	91	0x5B	-45.5	155	0x9B	-77.5	219	0xDB	-109.5
28	0x1C	-14.0	92	0x5C	-46.0	156	0x9C	-78.0	220	0xDC	-110.0
29	0x1D	-14.5	93	0x5D	-46.5	157	0x9D	-78.5	221	0xDD	-110.5
30	0x1E	-15.0	94	0x5E	-47.0	158	0x9E	-79.0	222	0xDE	-111.0
31	0x1F	-15.5	95	0x5F	-47.5	159	0x9F	-79.5	223	0xDF	-111.5
32	0x20	-16.0	96	0x60	-48.0	160	0xA0	-80.0	224	0xE0	-112.0
33	0x21	-16.5	97	0x61	-48.5	161	0xA1	-80.5	225	0xE1	-112.5
34	0x22	-17.0	98	0x62	-49.0	162	0xA2	-81.0	226	0xE2	-113.0
35	0x23	-17.5	99	0x63	-49.5	163	0xA3	-81.5	227	0xE3	-113.5
36	0x24	-18.0	100	0x64	-50.0	164	0xA4	-82.0	228	0xE4	-114.0
37	0x25	-18.5	101	0x65	-50.5	165	0xA5	-82.5	229	0xE5	-114.5
38	0x26	-19.0	102	0x66	-51.0	166	0xA6	-83.0	230	0xE6	-115.0
39	0x27	-19.5	103	0x67	-51.5	167	0xA7	-83.5	231	0xE7	-115.5
40	0x28	-20.0	104	0x68	-52.0	168	0xA8	-84.0	232	0xE8	-116.0
41	0x29	-20.5	105	0x69	-52.5	169	0xA9	-84.5	233	0xE9	-116.5
42	0x2A	-21.0	106	0x6A	-53.0	170	0xAA	-85.0	234	0xEA	-117.0
43	0x2B	-21.5	107	0x6B	-53.5	171	0xAB	-85.5	235	0xEB	-117.5
44	0x2C	-22.0	108	0x6C	-54.0	172	0xAC	-86.0	236	0xEC	-118.0
45	0x2D	-22.5	109	0x6D	-54.5	173	0xAD	-86.5	237	0xED	-118.5

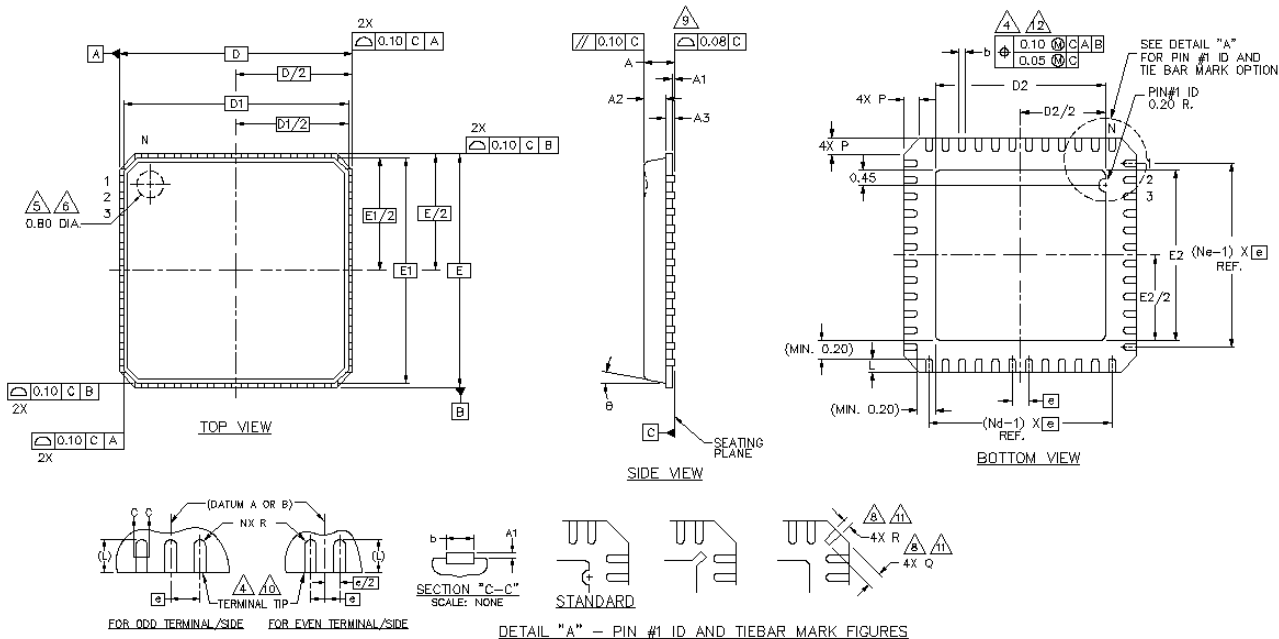
addr 0x54 (Decimal)	addr 0x54 (Hex)	dB	addr 0x54 (Decimal)	addr 0x54 (Hex)	dB	addr 0x54 (Decimal)	addr 0x54 (Hex)	dB	addr 0x54 (Decimal)	addr 0x54 (Hex)	dB
46	0x2E	-23.0	110	0x6E	-55.0	174	0xAE	-87.0	238	0xEE	-119.0
47	0x2F	-23.5	111	0x6F	-55.5	175	0xAF	-87.5	239	0xEF	-119.5
48	0x30	-24.0	112	0x70	-56.0	176	0xB0	-88.0	240	0xF0	-120.0
49	0x31	-24.5	113	0x71	-56.5	177	0xB1	-88.5	241	0xF1	-120.5
50	0x32	-25.0	114	0x72	-57.0	178	0xB2	-89.0	242	0xF2	-121.0
51	0x33	-25.5	115	0x73	-57.5	179	0xB3	-89.5	243	0xF3	-121.5
52	0x34	-26.0	116	0x74	-58.0	180	0xB4	-90.0	244	0xF4	-122.0
53	0x35	-26.5	117	0x75	-58.5	181	0xB5	-90.5	245	0xF5	-122.5
54	0x36	-27.0	118	0x76	-59.0	182	0xB6	-91.0	246	0xF6	-123.0
55	0x37	-27.5	119	0x77	-59.5	183	0xB7	-91.5	247	0xF7	-123.5
56	0x38	-28.0	120	0x78	-60.0	184	0xB8	-92.0	248	0xF8	-124.0
57	0x39	-28.5	121	0x79	-60.5	185	0xB9	-92.5	249	0xF9	-124.5
58	0x3A	-29.0	122	0x7A	-61.0	186	0xBA	-93.0	250	0xFA	-125.0
59	0x3B	-29.5	123	0x7B	-61.5	187	0xBB	-93.5	251	0xFB	-125.5
60	0x3C	-30.0	124	0x7C	-62.0	188	0xBC	-94.0	252	0xFC	-126.0
61	0x3D	-30.5	125	0x7D	-62.5	189	0xBD	-94.5	253	0xFD	-126.5
62	0x3E	-31.0	126	0x7E	-63.0	190	0xBE	-95.0	254	0xFE	-127.0
63	0x3F	-31.5	127	0x7F	-63.5	191	0xBF	-95.5	255	0xFF	-127.5 under

※ Output 8bit value : (-dB * 2)

n dB = output 8bit *0.5

D. Outline and Mechanical Data

C.1 48-pin MLF Package Dimension



SYMBOL	PITCH VARIATION D			NOTE
	MIN.	NOM.	MAX.	
[E]	0.50 BSC			
N	48			3
Nd	12			3
Ne	12			3
L	0.30	0.40	0.50	
b	0.18	0.23	0.30	4
D2	SEE EXPOSED PAD VARIATION: C,F,G,H,J			
E2	SEE EXPOSED PAD VARIATION: C,F,G,H,J			

SYMBOL	COMMON DIMENSIONS			NOTE
	MIN.	NOM.	MAX.	
A	0.80	0.85	0.90	
A1	0.00	0.01	0.05	10
A2	0.60	0.65	0.70	
A3	0.20 REF.			
D	7.00 BSC			
D1	6.75 BSC			
E	7.00 BSC			
E1	6.75 BSC			
θ	0	-	12°	
P	0.24	0.42	0.60	
Q	0.30	0.40	0.65	8,11
R	0.13	0.17	0.23	8,11

<STANDARD>

SYMBOLS	D2			E2			NOTE
	MIN	NOM	MAX	MIN	NOM	MAX	
EXPOSED PAD VARIATIONS	5.2	5.3	5.4	4.9	5.0	5.1	

GENERAL ; NOMINAL EXPOSED PAD(D2/E2) DIMENSION = NOMINAL DIE ATTACH PAD DIMENSION-0.20



- NOTES:
1. DIE THICKNESS ALLOWABLE IS 0.305mm MAXIMUM(.012 INCHES MAXIMUM)
 2. DIMENSIONING & TOLERANCES CONFORM TO ASME Y14.5M. – 1994.
 3. N IS THE NUMBER OF TERMINALS.
Nd IS THE NUMBER OF TERMINALS IN X-DIRECTION &
Ne IS THE NUMBER OF TERMINALS IN Y-DIRECTION.
 4. DIMENSION b APPLIES TO PLATED TERMINAL AND IS MEASURED BETWEEN 0.15 AND 0.30mm FROM TERMINAL TIP.
 5. THE PIN #1 IDENTIFIER MUST BE EXISTED ON THE TOP SURFACE OF THE PACKAGE BY USING INDENTATION MARK OR OTHER FEATURE OF PACKAGE BODY.
 6. EXACT SHAPE AND SIZE OF THIS FEATURE IS OPTIONAL.
 7. ALL DIMENSIONS ARE IN MILLIMETERS.
 8. THE SHAPE SHOWN ON FOUR CORNERS ARE NOT ACTUAL I/O.
 9. BILATERAL COPLANARITY ZONE APPLIES TO THE EXPOSED PAD AS WELL AS THE TERMINALS.
 10. APPLIED ONLY FOR TERMINALS.
 11. Q AND R APPLIES ONLY FOR STRAGHT TIEBAR SHAPES.
 12. FOR 0.40mm LEAD PITCH, THE LEAD POSITION TOLERANCE MUST BE 0.07mm AT THE ACTUAL MEAN VALUE OF BODY SIZE.
 13. MOLD FLASH OR PLATING COVERAGE ON THE RING PAD AREA SHALL BE ALLOWABLE