

NEOFIDELITY

# NTP8910A

High Performance, High Fidelity Power Driver Integrated Full Digital Audio Amplifier

Datasheet  
Preliminary ver. 0.1

CONFIDENTIAL

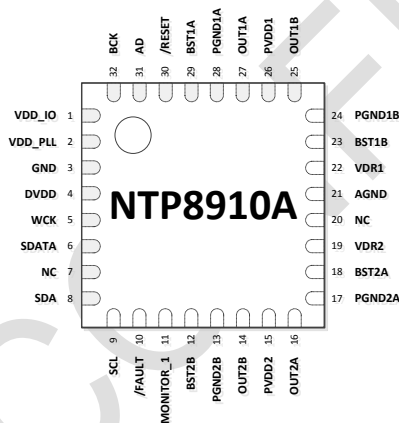
## General Description

The NTP8910A is a single chip full digital audio amplifier including power stage for stereo amplifier system. NTP8910A is integrated with versatile digital audio signal processing functions, high-performance, high-fidelity fully digital PWM modulator and two high-power full-bridge MOSFET power stages. The NTP8910A receives digital serial audio data with sampling frequencies of 32kHz, 44.1kHz, 48kHz, and 96kHz. It delivers 2 x 10 watts in stereo mode without heat sink.

The NTP8910A has a mixer and Bi-Quad filters which can be used to implement the essential audio signal processing functions like loudness control, compensation of a loud speaker response and parametric equalization.

All the functions of the NTP8910A can be controlled by internal register values via I<sup>2</sup>C host interface bus.

## Package



( 32 pin QFN 5mm x 5mm Package )

## Features

- 2 CH Stereo (10W x 2 BTL)
- Wide Operating Supply Voltage Range (4.5V to 20V)
- SDATA Generator (I<sup>2</sup>S output)
- Floating Point Operation
- 32 Programmable Bi-Quad Filters
  - ✓ Speaker Compensation
  - ✓ LPF, HPF, DC Cut
  - ✓ Advanced Parametric Equalizer
- IBB(Intelligent BASS Boost)
- 3 Band Dynamic Range Control
- RS(Reinforced Sound) DRC
- Loudness Control
- Protection Circuit
  - ✓ OCP(Over Current Protection)
  - ✓ OTP(Over Temperature Protection)
  - ✓ UVP(Under Voltage Protection)
  - ✓ BQ/DRC Checksum
- Vol/Soft Mute/Power Meter/NS Feedback
- Smart PWM Switch on/off
- High Efficiency
- DC protection
  - ✓ DC cut filter
  - ✓ Coefficient memory checksum
  - ✓ Modulation Index check

## Applications

- OLED/UHD/FUD TV or Monitor TV
- Docking Station
- Mini-Component Audio Solution

## Ordering Information

Product ID	Package Type	Pin	Size
NTP8910A	QFN	32	5 x 5mm

### Disclaimer

NeoFidelity, Inc. reserves the right to make changes without notice in the product described in this datasheet including circuits, software and ICs, described herein for the purpose of improvement of design and performance. NeoFidelity, Inc. assumes no responsibilities and liabilities for the use of the product, conveys no license under any patent or copyright, and makes no warranties that the product is free from patent or copyright infringement, unless otherwise specified.

## Table of Contents

<b>1.</b>	<b>BLOCK DIAGRAM</b> .....	<b>4</b>
<b>2.</b>	<b>PIN ASSIGNMENTS</b> .....	<b>4</b>
<b>3.</b>	<b>PIN DESCRIPTIONS</b> .....	<b>5</b>
<b>4.</b>	<b>CHARACTERISTICS AND SPECIFICATIONS</b> .....	<b>6</b>
	4.1. Absolute Maximum Ratings .....	6
	4.2. Recommended Operating Conditions .....	6
	4.3. DC Electrical Characteristics .....	6
	4.4. Performance Specification .....	7
	4.5. Switching Characteristics – I <sup>2</sup> C Control.....	8
	4.6. Switching Characteristics – Audio Interface.....	8
<b>5.</b>	<b>I<sup>2</sup>C BUS OF NTP8910A</b> .....	<b>9</b>
	5.1. General Description of I <sup>2</sup> C Bus .....	9
	5.1.1. Writing Operation .....	9
	5.1.2. Reading Operation .....	11
	5.1.3. I <sup>2</sup> C Glitch Filter .....	11
	5.1.4. I <sup>2</sup> C Slave Address.....	11
<b>6.</b>	<b>CLOCK, RESET &amp; CONTROL</b> .....	<b>12</b>
	6.1. System Clock.....	12
	6.2. Timing Sequence .....	12
	6.2.1. Power-Up & Initialization Sequence .....	12
	6.2.2. Power-Down Sequence.....	12
	6.3. Sound On/Off Sequence .....	13
<b>7.</b>	<b>AUDIO INPUT</b> .....	<b>14</b>
	7.1. I <sup>2</sup> S .....	14
	7.2. SDATA Generator .....	14
<b>8.</b>	<b>MIXER</b> .....	<b>15</b>
<b>9.</b>	<b>PRE-PROCESSING</b> .....	<b>16</b>
	9.1. Bi-Quad Filter Chain.....	16
	9.2. Loudness Control .....	17
	9.3. Advanced Parametric Equalizer.....	17
	9.3. IBB Control .....	18
<b>10.</b>	<b>VOLUME &amp; DYNAMIC RANGE CONTROL</b> .....	<b>19</b>
	10.1. Master Volume Control .....	19
	10.2. Channel Volume Control.....	19
	10.3. Master Volume Fine Control.....	19
	10.4. Mute and Soft Volume Change.....	19
	10.5. Auto Mute.....	19
	10.6. Dynamic Range Control.....	20
	10.6.1. Reinforced Sound Dynamic Range Control (RS DRC).....	20
	10.7. Power Meter .....	20
<b>11.</b>	<b>OUTPUT INTERFACE</b> .....	<b>21</b>
	11.1. Output Configuration .....	21
	11.2. PWM Output Mapper .....	21
	11.3. Switching Output Mode .....	21
	11.4. Soft Start .....	22
<b>12.</b>	<b>DC PROTECTION</b> .....	<b>23</b>
	12.1 Memory Checksum .....	23
	12.2 Modulation Index Check .....	24
	12.3 Hard-wired DC cut.....	24
<b>13.</b>	<b>TYPICAL APPLICATION SCHEMATICS</b> .....	<b>25</b>
<b>14.</b>	<b>APPENDIX</b> .....	<b>26</b>
	A. Configuration Register Summary .....	26
	B. Configuration Register Value Reference.....	49
	C. Package Outline .....	55

## 1. BLOCK DIAGRAM

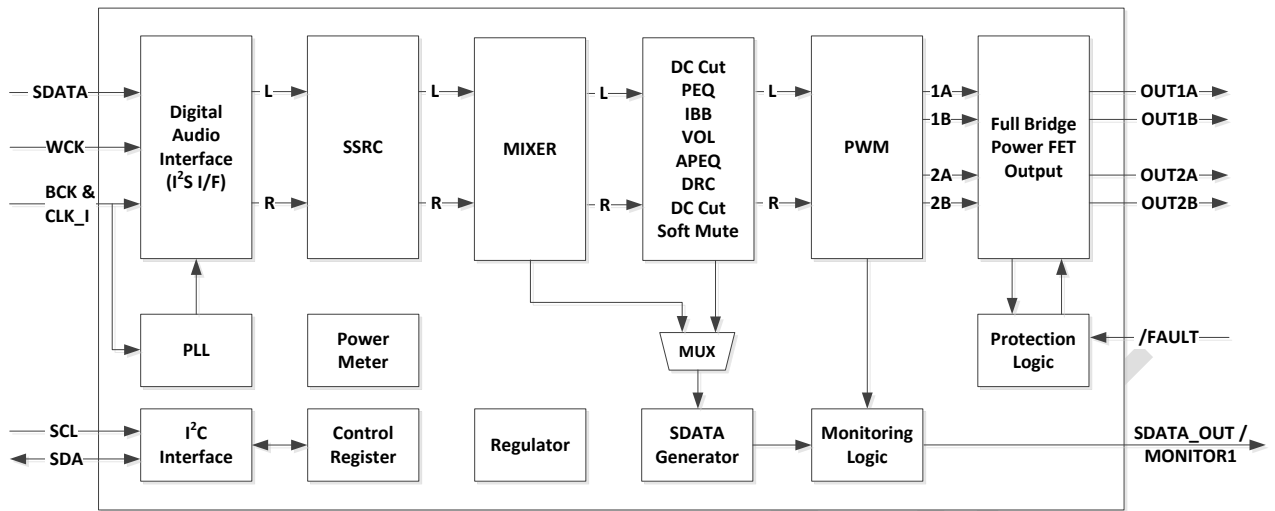


Figure 1. NTP8910A Block Diagram

## 2. PIN ASSIGNMENTS

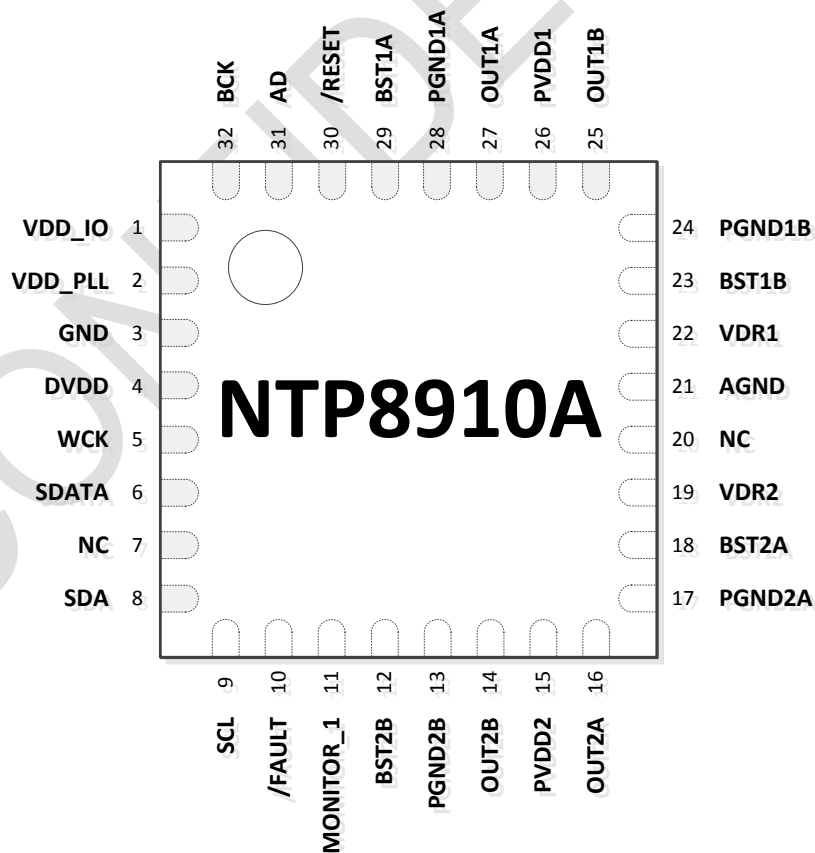


Figure 2. NTP8910A Pin Assignments

### 3. PIN DESCRIPTIONS

PIN	NAME	TYPE	DESCRIPTION
1	VDD_IO	P	Power supply for digital interface I/O, 3.3V
2	VDD_PLL	-	Not connected
3	GND	P	This pin should be connected to Ground
4	DVDD	P	Regulator output for Core block, 1.2V
5	WCK	I	I <sup>2</sup> S word clock
6	SDATA	I	I <sup>2</sup> S serial data input
7	NC	-	Not connected
8	SDA	I/O	I <sup>2</sup> C data
9	SCL	I	I <sup>2</sup> C clock
10	/FAULT	I	Active low to reset internal power stage, Pull-up
11	MONITOR_1	O	monitoring signal out from processor block / I <sup>2</sup> S output (SDATA word) / I <sup>2</sup> C slave addr2 <refer to 5.1.4>
12	BST2B	P	Bootstrap supply, external capacitor to OUT2B is required
13	PGND2B	P	Ground
14	OUT2B	O	Power stage PWM output 2B
15	PVDD2	P	Power supply for PWM Power stage 2A/2B
16	OUT2A	O	Power stage PWM output 2A
17	PGND2A	P	Ground
18	BST2A	P	Bootstrap supply, external capacitor to OUT2A is required
19	VDR2	P	Gate drive voltage regulator decoupling pin, capacitor to GND is required
20	NC	-	Not connected
21	AGND	P	Ground
22	VDR1	P	Gate drive voltage regulator decoupling pin, capacitor to GND is required
23	BST1B	P	Bootstrap supply, external capacitor to OUT1B is required
24	PGND1B	P	Ground
25	OUT1B	O	Power stage PWM output 1B
26	PVDD1	P	Power supply for PWM Power stage 1A/1B
27	OUT1A	O	Power stage PWM output 1A
28	PGND1A	P	Ground
29	BST1A	P	Bootstrap supply, external capacitor to OUT1A is required
30	/RESET	I	Active low to reset NTP8910A, Schmitt trigger input, pull down PAD
31	AD	I	I <sup>2</sup> C device address selection
32	BCK	I	System master clock, Schmitt trigger input
-	Thermal Pad	P	This pad should be connected to Ground

P = Power or Ground, I = Input, O = Output, I/O = Input / Output

**Table 1. NTP8910A Pin Description**

## 4. CHARACTERISTICS AND SPECIFICATIONS

### 4.1. Absolute Maximum Ratings

Parameter	Reference	Rating	Unit
DVDD voltage	DGND	-0.3 ~ 1.5	V
VDD_IO voltage	GND_IO	-0.3 ~ 5.25	V
Logic input voltage	GND	-0.3 ~ 5.25	V
Logic output voltage	GND	-0.3 ~ 5.25	V
PVDDXX voltage	PGNDXX	24	V
OUTXX voltage	PGNDXX	-0.3 ~ PVDDXX	V
BSTXX voltage	PGNDXX	30	V
VDRX voltage	PGNDXX	-0.3 ~ 6.0	V
Junction temperature	T <sub>j</sub>	150	°C

### 4.2. Recommended Operating Conditions

Parameter	Reference	Rating	Unit
VDD_IO voltage	GND_IO	3.0 ~ 3.6	V
PVDDXX voltage	PGNDXX	4.5 ~ 20	V
VDRX voltage	PGNDXX	4.7    5.1    5.5	V
Ambient operating temperature	T <sub>a</sub>	-40 ~ 85	°C
Load impedance (BTL)	Output Filter L : 10uH, C : 470nF	6    8	Ω
Load impedance (PBTL)	Output Filter L : 10uH, C : 470nF	4	Ω

### 4.3. DC Electrical Characteristics

Parameter	Symbol	Condition	Min	Typ	Max	Unit
<b>Logic Block</b> (VDD_IO=3.3V, T <sub>A</sub> =+25°C, unless otherwise specified.)						
Input High voltage	V <sub>IH</sub>	-	2.0			V
Input Low voltage	V <sub>IL</sub>	-	-0.5		0.8	V
Schmitt trig. Low to High threshold point	V <sub>T+</sub>	-	2		3.6	V
Schmitt trig. High to Low threshold point	V <sub>T-</sub>	-	-0.5		0.8	V
Input current	I <sub>I</sub>	V <sub>IN</sub> =V <sub>IL</sub> MAX, DVDD=MIN	-50			uA
		V <sub>IN</sub> =V <sub>IH</sub> MIN, DVDD=MIN			50	uA
Input leakage current	I <sub>L</sub>	V <sub>IN</sub> =VSS, DVDD=MIN	-10		10	uA
Output Low voltage	V <sub>OL</sub>	I <sub>OL</sub> = -4mA	0		0.4	V
Output High voltage	V <sub>OH</sub>	I <sub>OH</sub> = 4mA	2.4		3.6	V
LDO output voltage	V <sub>LDO</sub>	DVDD	1.08		1.32	V
<b>Driver Block</b> (PVDDXX=13V, T <sub>A</sub> =+25°C, unless otherwise specified.)						
Current consumption		VDD_IO=3.3V, No Input, No Load		23		mA
		PVDD=13V, No Input, 8 Ω Load with 10uH, DBTL		30		
Peak current limit	OCP	-		6		A
Thermal shutdown temperature	OTP			155		°C
Under voltage lockout	UVP			4.2		V

#### 4.4. Performance Specification

Parameter	Condition	Min	Typ	Max	Unit
<b>Speaker Amplifier</b>					
SNR	A-weighting filter		101		dB
THD+N	$P_{OUT}=1W, R=8\Omega$		0.1		%
Cross talk	1kHz		-96		dB

CONFIDENTIAL

### 4.5. Switching Characteristics – I<sup>2</sup>C Control

Parameter	Symbol	Condition	Min	Max	Unit
<b>I<sup>2</sup>C Control Port</b>					
SCL clock frequency	F <sub>scl</sub>		-	400	kHz
Hold time for START condition	T <sub>hdsta</sub>		600	-	ns
Low period of the SCL clock	T <sub>low</sub>		1300	-	ns
High period of the SCL clock	T <sub>high</sub>		600	-	ns
Rise time of SDA and SCL signals	T <sub>rise</sub>		-	300	ns
Fall time of SDA and SCL signals	T <sub>fall</sub>		-	300	ns
Setup time for STOP condition	T <sub>susto</sub>		600	-	ns

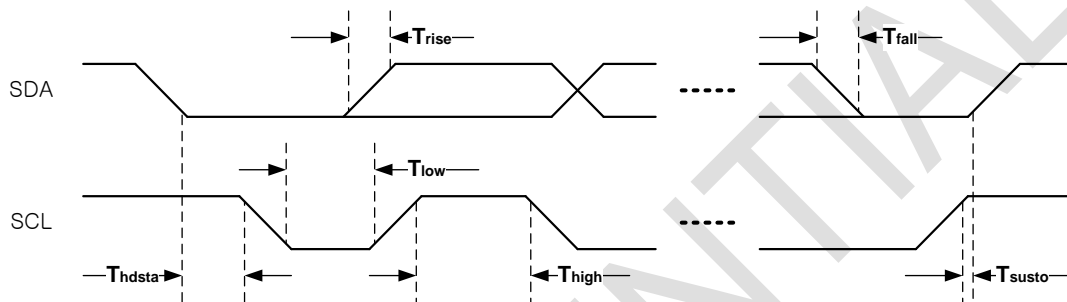


Figure 3. I<sup>2</sup>C Mode Timing

### 4.6. Switching Characteristics – Audio Interface

Parameters	Symbol	Min	Max	Unit
BCK high time	t <sub>bh</sub>	20	-	ns
BCK low time	t <sub>bl</sub>	20	-	ns
SDATA setup time before BCK rising edge	t <sub>ds</sub>	10	-	ns
SDATA hold time after BCK rising edge	t <sub>dh</sub>	10	-	ns
WCK setup time before BCK rising edge	t <sub>ws</sub>	20	-	ns
BCK rising edge before WCK edge	t <sub>wh</sub>	20	-	ns
BCK falling edge before WCK edge	t <sub>wl</sub>	-20	20	ns
Rising/Falling time for BCK/WCK	t <sub>br</sub> /t <sub>bf</sub> /t <sub>wrf</sub>	-	50	ns

※ Schmitt trigger characteristics (V<sub>SIH</sub> Min = 2.0V, V<sub>SIH</sub> Max = 0.8V)

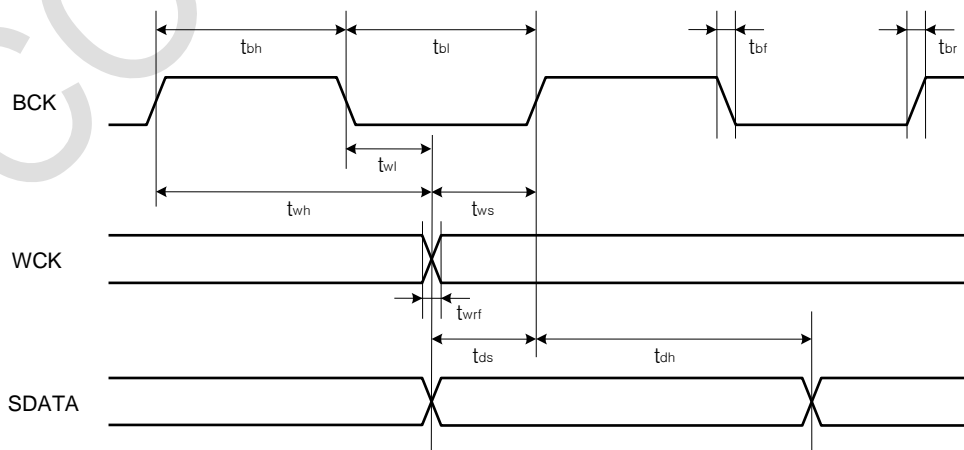


Figure 4. Audio Interface Timing



## 5. I<sup>2</sup>C BUS OF NTP8910A

The NTP8910A uses an industry standard Inter IC Control (I<sup>2</sup>C) bus to communicate with host IC. A host IC can write or read internal registers of the NTP8910A via the I<sup>2</sup>C bus.

### 5.1. General Description of I<sup>2</sup>C Bus

The I<sup>2</sup>C bus uses two signal lines – a serial clock line (SCL) and a serial data line (SDA). Because the SDA line is open-drain type port, both the NTP8910A and a host IC can only drive these pins low or leave them open.

In I<sup>2</sup>C bus, a master device means the device which generates serial clock on the SCL. A slave device means the device which receives serial clock. There can be many master and slave devices on an I<sup>2</sup>C bus. But, when one master device works on the bus, the other master devices should not generate signal on the lines. These unexpected interrupts can make other slave devices to fail to communicate with the mater device.

The NTP8910A supports only slave mode of I<sup>2</sup>C bus. So, the NTP8910A always receives serial clock from a host IC. The slave mode is enough to write/read data to/from the NTP8910A.

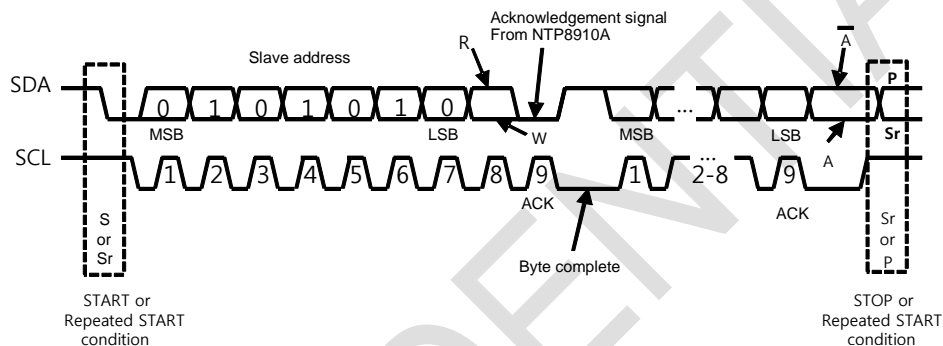


Figure 5. Basic Signaling Elements of I<sup>2</sup>C Bus

If there are no communication on I<sup>2</sup>C bus, lines must keep in high state. I<sup>2</sup>C bus begins communication with the start condition and ends communication with the stop condition. The start condition can be generated by changing the SDA state high to low, during the SCL state remains in high. The stop condition can be generated by changing the SDA state low to high during the SCL remains in high state. Be aware that the stop condition always reset the internal status of I<sup>2</sup>C bus control logic. Except these two conditions, the SDA may not change during the SCL in high state. Otherwise, abnormal start or stop condition will be generated.

I<sup>2</sup>C bus transfers the MSB of a byte on 1st data slot and the LSB of a byte on 8th data slot. I<sup>2</sup>C bus checks success or fail of transfer on every 1 byte transfer. The device which found an expected data on SDA must generate acknowledgement (keep low on SDA) on 9th clock. If there is no acknowledgement on 9th clock, the device which generated a data on SDA may stop transfer. The NTP8910A will generate acknowledgement for every successful data transfer of 1 byte in write mode. But, in read mode, because data is generated by the NTP8910A, the NTP8910A will not generate an acknowledgement. In this case, on the contrary, the NTP8910A will check SDA state on 9th clock that the master device received a read data properly.

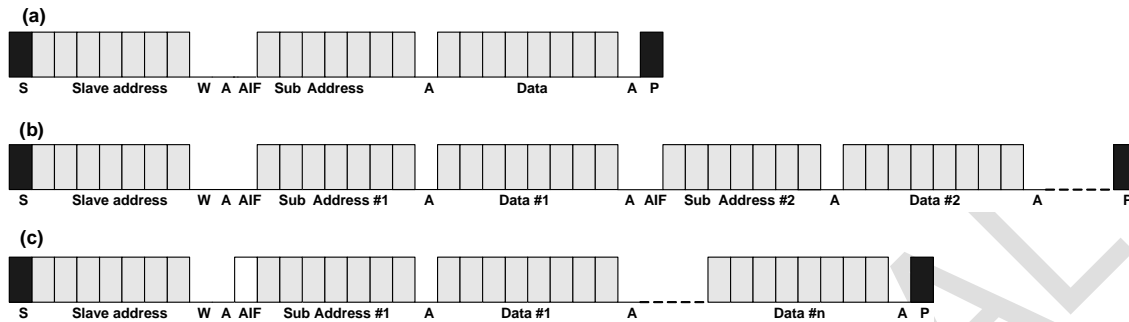
Last 8th bit of the 1st byte is used to indicate whether the master device want to write or read data.

#### 5.1.1. Writing Operation

When last 8th bit of the 1st byte is set to low state, the writing operation of I<sup>2</sup>C bus begins. The NTP8910A supports 3 kind of writing operations which presented on **Figure 6**.

The type presented on **Figure 6-(a)** is single byte write operation. “Sub address” on 2nd byte means the internal register address of the NTP8910A. The “Data” on 3rd byte will be written into the internal register address on “Sub address”. If stop condition is not generated, writing “data” on specific “sub address” can be repeated like **Figure 6-(b)**. “Data #n” will be written on “sub address #n”.

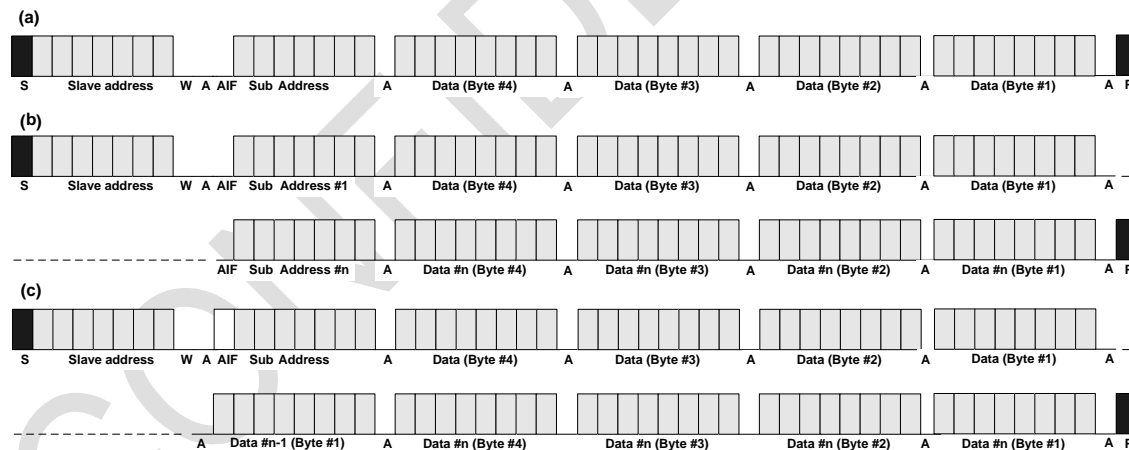
The type presented on **Figure 6-(c)** is single byte write operation under address auto increment mode. The AIF on 1st bit of 2nd byte is the address auto increment flag. If SDA is set to high state on AIF slots, the NTP8910A write data continuously with register addresses which increased from initial “sub address” for every byte; “Data #n” will be written on “sub address” + n – 1. The internal address will cycle automatically.



**Figure 6. Single Byte Write Mode Sequence**

**Figure 7-(a)**, **Figure 7-(b)**, and **Figure 7-(c)** represent 4 byte writing operations. Coefficient Mode Register address 0x00~0x5B are used to configure Bi-Quad filter coefficients, those are BQ, QMF\_BQ, Loudness filter gain, attack gain, power meter gain and BQ/DRC check. The data size of these coefficients and gains is 4 byte for each. The difference between 4byte writing operation and single byte writing operation is only the size of transferring data. So, after sending “Sub address”, 4 sequential bytes must be transferred from the MSB(most significant byte) to the LSB(least significant byte) sequence.

The type presented on **Figure 7-(c)** is quad byte write operation under address auto increment mode, AIF function. Please compare the data transfer size between **Figure 6** and **Figure 7**.



**Figure 7. Quad Byte Write Mode Sequence**

The coefficient mode register address from 0x00 to 0x31 and from 0x5C to 0x65 are used for the Bi-Quad filter coefficients in the coefficient mode. Each Bi-Quad filter uses 5 coefficients. Any unexpected coefficient value changes on any part of 5 coefficients can generate unstable Bi-Quad filter response. For example, if only one of 5 coefficients for a Bi-quad filter is changed and downloaded, its combined 5-coefficient set can have unstable operation while old and new coefficients are mixed together. Therefore to prevent this kind of problem, the NTP8910A writes coefficients to coefficient registers only when the last 5th coefficients of each Bi-quad filter are downloaded, which means all of 5 coefficients are fully ready. Please refer to 9.1 for more detailed operation.

### 5.1.2. Reading Operation

**Figure 8-(a)** represents single byte reading operation from the NTP8910A. To read data from the NTP8910A, generate start condition to start transfer. After then, send “slave address” with write mode flag and send the register address(sub address). By regenerating start condition (Sr) again and transferring “slave address” with read mode flag, reading operation begins. The NTP8910A will generate data on SDA signal synchronizing with serial clocks on the SCL. Because the SDA signal generated from the NTP8910A, the master device must generate ACK on 9th slot to confirm that the master received read 1 byte successfully. However, if this is just one byte reading operation, NAK (not acknowledged) signal must be generated. Then stop condition must be generated to end transfer.

When AIF set to high on sub address like **Figure 8-(b)**, data will be read continuously with register addresses which are increased from initial “sub address” for every byte. To continue reading operation in this case, the master must generate ACK signal on every 9th slot to confirm that master received 1 byte successfully. Otherwise, reading operation will be terminated. To end address auto incrementing reading operation, generate NAK on 9th slot and generate stop condition.

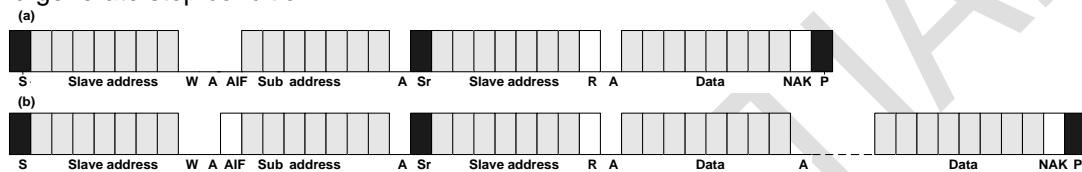


Figure 8. Single Byte Read Mode Sequence

**Figure 9** represents quad byte reading operation. The difference between quad byte reading operation and single byte reading operation is only the size of receiving data. So, after sending “Sub address”, 4 sequential bytes must be received from the MSB to the LSB sequence.

The type presented on **Figure 9-(b)** is quad byte read operation under address auto increment mode, AIF function. Please compare the data receive size between **Figure 8** and **Figure 9**.

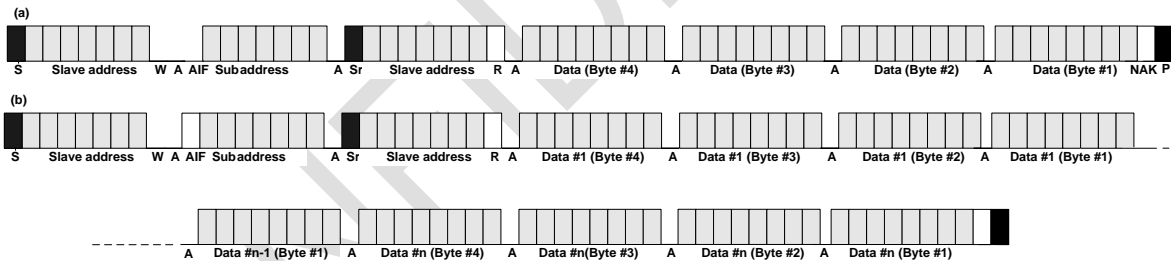


Figure 9. Quad Byte Read Mode Sequence

### 5.1.3. I<sup>2</sup>C Glitch Filter

To clean out the threats of noise in today’s high-speed-board system, the NTP8910A has a glitch elimination filter on the I<sup>2</sup>C ports. Glitches in the transmission lines of the I<sup>2</sup>C port can be safely removed with this function. Please refer to the register 0x66.

### 5.1.4. I<sup>2</sup>C Slave Address

The NTP8910A supports up to four slave address. A master device sends the target slave address on the 1st byte. MSB 7 bits of the 1st byte data are used for the slave address. So, four NTP8910A can be connected to the same MCU at the same time. For multi-chip operation, use the proper I<sup>2</sup>C slave address according to AD pin and the initial state of MONITOR\_1 pin as shown in **Table 2**.

		MONITOR_1 Pin		
Pin name	Value	Pull-down ('L')	Pull-up ('H')	No pd / pu (default: 'L')
AD	0	Addr : 0x54	Addr : 0x58	Addr : 0x54
	1	Addr : 0x56	Addr : 0x5A	Addr : 0x56

Table 2. I<sup>2</sup>C Slave Address

## CLOCK, RESET & CONTROL

### 6.1. System Clock

The internal system clock of the NTP8910A is generated from an external master clock by the on-chip PLL. The NTP8910A supports external master clock frequency from 3.072 MHz to 24.576MHz. For proper operation, the registers for the PLL should be set correctly according to master clock frequency (Address 0x02).

### 6.2. Timing Sequence

For proper power up, initialization and power down of NTP8910A, it is recommend to use the following sequence as shown in **Figure 10**.

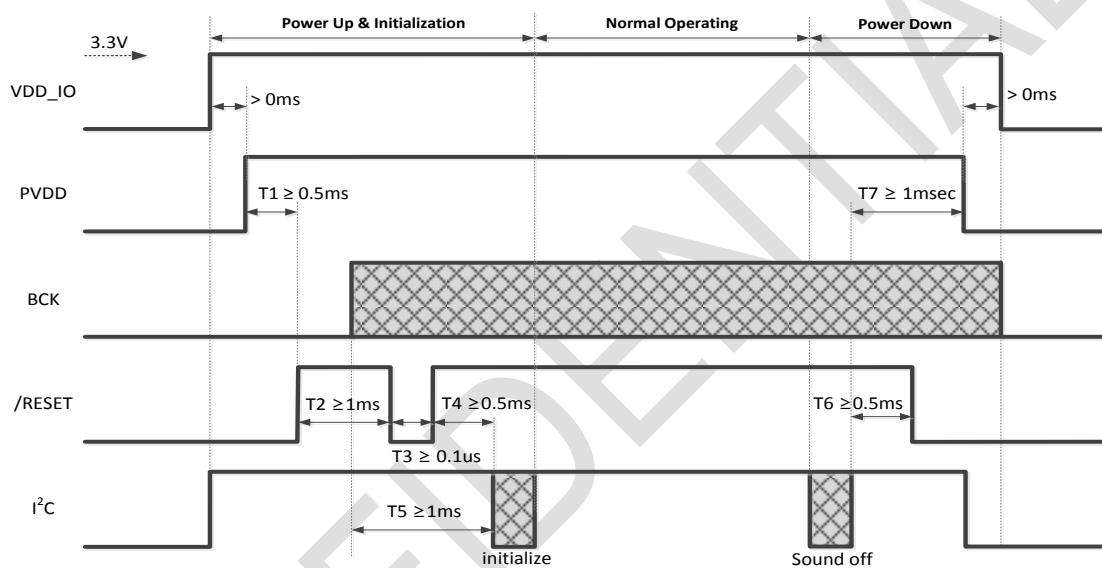


Figure 10. Timing Sequence 1

#### 6.2.1. Power-Up & Initialization Sequence

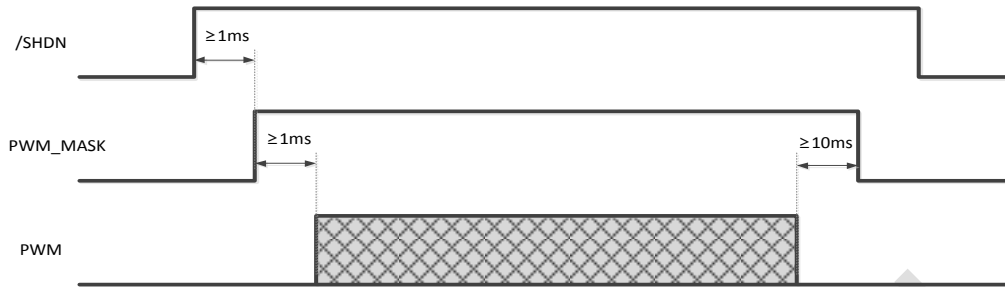
- 1) Ramp up VDD\_IO to at least 3.3V.
- 2) Ramp up PVDD.
- 3) After 0.5msec ( $T1 \geq 0.5\text{msec}$ ), drive /RESET = High, and then wait for at least 1msec ( $T2 \geq 1\text{msec}$ ).
- 4) Hold /RESET Low for at least 0.1usec ( $T3 \geq 0.1\text{usec}$ )
- 5) Drive /RESET = High, and then wait for at least 0.5msec for I2C communication ( $T4 \geq 0.5\text{msec}$ ).
- 6) BCK signal should arrive at least 1msec before I2C initialization sequence ( $T5 \geq 1\text{msec}$ ).
- 7) Execute both amp initialization sequence (e.g. clock, volume, DRC, PEQ setup) and Sound on sequence.

#### 6.2.2. Power-Down Sequence

- 1) When both DC and AC power are off, make sure to execute sound off sequence.
- 2) Switch /RESET to Low at least 0.5 msec after sound off sequence ( $T6 \geq 0.5\text{msec}$ ).
- 3) Ramp down PVDD at least 1 msec after sound off sequence ( $T7 \geq 1\text{msec}$ ).
- 4) After I<sup>2</sup>C is Low, ramp down VDD\_IO.

### 6.3. Sound On/Off Sequence

For proper sound on/off of NTP8910A, use the following sequence as shown in **Figure 11**.



**Figure 11. Sound On & Off Sequence**

To prevent pop noise when enabling or disabling the amplifier, the following sequences are recommended.

CONFIDENTIAL

## 6. AUDIO INPUT

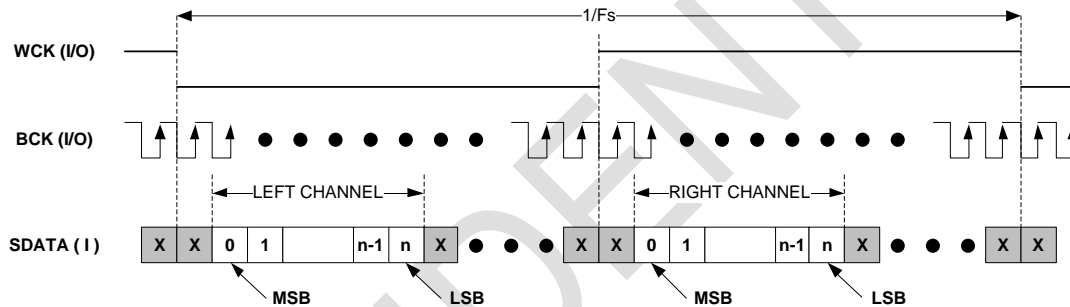
### 7.1. I<sup>2</sup>S

NTP8910A receives audio data through digital audio interface. There is a standard digital audio interface - the Inter-IC Sound (I<sup>2</sup>S) Interface.

These interfaces use 2 clock lines and 1 data line to receive the audio data. One of these clock lines is the WCK. A period of the WCK is same with sampling period of audio data i.e. 64bits (32bits for each channel). One of the main function of WCK to define the channels, the low state of WCK indicates the 1<sup>st</sup> channel i.e. left channel and the high state indicate the 2<sup>nd</sup> channel i.e. right channel. This feature enable the clock receiving device to synchronize the data word-wise for transmitting or receiving from clock generating device.

The other clock line is BCK. This clock line used to synchronize the bit-wise data. The number of clock for one WCK period is 64 clock of BCK. The name of data transfer line is SDATA. The data being synchronized with the BCK must be loaded on this line. NTP8910A receive data on rising edge of the BCK. The bit range for I<sup>2</sup>S is predefined.

NTP8910A can only work as a slave on bus. In slave mode, NTP8910A receives WCK and BCK from external source. Please refer the following **Figure 12**.



**Figure 12. I<sup>2</sup>S Audio Interface Format**

### 7.2. SDATA Generator

The SDATA generator of NTP8910A sends out I<sup>2</sup>S out signal. In order for SDATA out process to function stably, the falling of BCK should either synchronize or occur ahead of falling or rising of WCK.

Refer to the register Address 0x76 and 0x7C in the **Appendix A** and refer to the **4.6. Switching Characteristics – Audio Interface**.

SDATA Generator (Sdata out)	Register value
	0x0F
Register Address 0x76	Sdata out => Monitor 1 pin

**Table 3. SDATA Generator Control**

## 7. MIXER

Channel mixer can be used in lots of application needs like pseudo stereo and etc. User can mix input channels into each output channels with designated gains and polarity. Step size of mixer gain is variable according to the gain level as shown below.

Volume Range (dB)	Step (dB)
+18 ~ +6	1
+5.5 ~ -5.5	0.5
-6 ~ -32	1
≤ 32	-∞

Table 4. Variable Step Mixing Gain

In total, 4 mixing gain coefficients denoted as M00, M01, M10 and M11 are defined as shown in the equation below. Each Mxx stores volume value in dB scale, and the number values versus gain in dB are shown in the **Appendix B**. By default, each input channel connected to each output channel directly; M00 and M11 are set as 0 dB in plus polarity, M01 and M10 are set as -∞ dB.

$$[\text{Output Channels}] = [\text{Mixer Matrix}] \times [\text{Input Channels}]$$

$$\begin{bmatrix} \text{CH1 OUT} \\ \text{CH2 OUT} \end{bmatrix} = \begin{bmatrix} \text{M00} & \text{M01} \\ \text{M10} & \text{M11} \end{bmatrix} \cdot \begin{bmatrix} \text{CH1 IN} \\ \text{CH2 IN} \end{bmatrix}$$

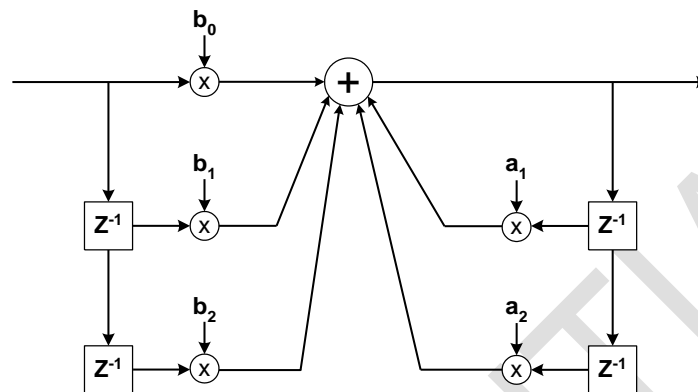
Figure 13. Serial Mixer Matrix

In order to load mixer coefficients into internal memory, send the index value in the gain value table to the register address 0x03~0x06. Each address matched to M00, M01, M10 and M11 sequentially.

## 8. PRE-PROCESSING

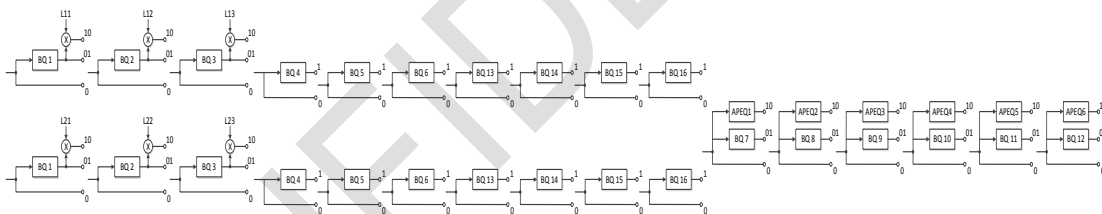
### 9.1. Bi-Quad Filter Chain

The Bi-Quad filter means 2nd order IIR filter. NTP8910A implemented a serial chain of Bi-Quad filters with proprietary floating point operation schemes. The Bi-Quad filter chains can be used in various purposes; loudness control, parametric EQ, loud-speaker EQ, APEQ and etc. The Bi-Quad filter structure is shown in **Figure 14**.



**Figure 14. Bi-Quad Filter Structure**

Sixteen Bi-Quad filters are linked serially for one channel. The Bi-Quad filters can be configured differently for each filter. As shown in **Figure 15**, first three filters can be used for loudness control, last six filters for APEQ control.



**Figure 15. Bi-Quad Filter Chain**

Filter coefficients are 32-bit floating point numbers and can be downloaded thru I<sup>2</sup>C interface. To download Bi-Quad filter coefficients to NTP8910A, select download channel by using CH flag in register Address 0x7E first. Then, write actual coefficient values to register addresses, from 0x00 to 0x79 in the coefficient register addresses.

The coefficient mode register addresses from 0x00 through 0x04 designate the five coefficients of the first Bi-Quad (BQ1) and represent coefficients b0, b1, b2, a1, a2 respectively. The coefficient mode register addresses from 0x05 through 0x09 designate coefficients of the 2nd Bi-Quad (BQ2) filter, and so on. The enable/disable operation of these Bi-Quad filters can be made by using BQF flag in register addresses of 0x0E~0x15.



Coefficient Mode register	0x00 ~ 0x04	0x05 ~ 0x09	0x0A ~ 0x0E	0x0F ~ 0x13	0x14 ~ 0x18	0x19 ~ 0x1D	
When system address 0x7E = 0x01 0x7E = 0x02	BQ1 of CH1/2	BQ2 of CH1/2	BQ3 of CH1/2	BQ4 of CH1/2	BQ5 of CH1/2	BQ6 of CH1/2	
Coefficient Mode register	0x1E ~ 0x22	0x23 ~ 0x27	0x28 ~ 0x2C	0x2D ~ 0x31	0x50 ~ 0x52	0x5C ~ 0x60	0x61 ~ 0x65
When system address 0x7E = 0x01	BQ7	BQ8	BQ9	BQ10	Loudness Gain	BQ11	BQ12
Coefficient Mode register	0x66 ~ 0x6A	0x6B ~ 0x6F	0x70 ~ 0x74	0x75 ~ 0x79			
When system address 0x7E = 0x01	BQ13	BQ14	BQ15	BQ16			

Coefficient Mode register	0x00 ~ 0x05	0x06 ~ 0x0B	0x0C ~ 0x11	0x12 ~ 0x17	0x1F ~ 0x24
When system address 0x7E = 0x08	Coefficient 0 of APEQ 1 ~ 6	Coefficient 1 of APEQ 1 ~ 6	Coefficient 2 of APEQ 1 ~ 6	Coefficient 3 of APEQ 1 ~ 6	Coefficient 4 of APEQ 1 ~ 6

Table 5. Address of Coefficients for Bi-Quad Filter Chain

### 9.2. Loudness Control

NTP8910A provides loudness control function using coefficient values. Loudness control means the compensation of frequency characteristics in low volume level to fit the acoustic characteristics of human ears.

There are 3 coefficient values for loudness gain per each channel. To download a loudness gain of each coefficient, the page flag register 0x7E should be set as same in the case of downloading the filter coefficients. The loudness gain values are applied for both channel 1 and 2, and when downloading the loudness gain values, a user should set the register 0x7E as 0x03.

loudness gains of CH1/CH2	Coefficient Mode Register Address		
	0x50	0x51	0x52
Register Address 0x7E= 0x03 case	L1	L2	L3

Table 6. Address for Loudness Gain

### 9.3. Advanced Parametric Equalizer

NTP8910A has a new scheme for APEQ function using coefficient values. APEQ function means the compensation of frequency characteristics based on input signal level to fit the acoustic characteristics of human ears.

APEQ needs a Bi-Quad filter coefficient and five additional coefficients, which comprise a gain coefficient and a threshold coefficient. To download each coefficient, the page flag register 0x7E should be set as same in the case of downloading the filter coefficients. The coefficient values are applied for both channel 1 and 2.

APEQ coefficient of CH1/CH2	Coefficient mode register address				
	0x00 ~ 0x05	0x06 ~ 0x0B	0x0C ~ 0x11	0x12 ~ 0x17	0x1F ~ 0x24
Register Address 0x7E = 0x08 case	Coefficient 0 f(Gain)	Coefficient 1 f(Gain)	Coefficient 2 f(Gain)	Coefficient 3 f(Gain)	Coefficient 4 f(Threshold)

Table 7. Address for APEQ Coefficient

#### 9.4. IBB Control

IBB enriches the sound of low frequency of audio signal without clipping and distortion. IBB is to compensate the characteristics of human loudness perception. For instance, when the volume level is low, the gain of the low frequency band is boosted. On the other hand, when the volume level closes to the maximum, the gain can be minimized to avoid sound clipping. All these scenarios can be set by user by selecting up to four inflection points in the volume-gain curve. While applying the adaptive gain control according to the volume, enhanced bass sound is to be reproduced without sound clipping at the high volume level.

The gain boosting depending on volume level can be changed by rewriting the IBB parameter table which consists of 5 volume levels, 5 gain levels, and 4 slopes. In order to access the parameter table, two registers (0x31 and 0x32) are used. The first register (0x31) contains the index of the corresponding parameter, and the second register (0x32) contains the value of the indexed parameter. IBB calculates adaptive gains based on the parameter table whenever the volume level is changed.

CONFIDENTIAL

## 10. VOLUME & DYNAMIC RANGE CONTROL

Master and channel volumes of the NTP8910A are independently controlled and softly changed. The system register address 0x0C is the master volume control that affects both channels simultaneously and the address 0x17 and 0x18 correspond to the channel volume control register for channel 1 and 2 respectively.

The possible Maximum Gain is +48.375dB with using master volume fine control, master volume and channel volume because the master volume applies the gain to an input signal independent from a channel volume. However, in such a case, a clipping might occur to prevent a signal overflow error if the magnitude of the input signal is large enough to exceed 0dB under the combined volume setting.

### 10.1. Master Volume Control

By setting volume control register (address 0x0C), master volume is controlled from negative infinity through 0dB with selectable step size as follows. For details on the master volume setting, see the register value table shown in **Appendix B**.

Step	Range
0.5 dB	0 ~ -125 dB

Table 8. Level Dependent Master Volume Steps

### 10.2. Channel Volume Control

By setting volume control registers (address 0x17 and 0x18), channel volumes are independently controlled from negative infinity through +48dB with two selectable step sizes as described below, and in the **Appendix B**, exact values for channel volume setting are described.

Step	Range
0.5 dB	+48 ~ -79 dB

Table 9. Level Dependent Channel Volume Steps

### 10.3. Master Volume Fine Control

Fine control for master volume is possible (+0.125dB step up to maximum +0.375dB boost). Refer the system register Address 0x16 in the **Appendix A**.

### 10.4. Mute and Soft Volume Change

The NTP8910A enters mute state by setting soft mute flag of register Address 0x33. Soft mute is implemented so that the volume gradually increases or decreases when mute is turned off or on respectively. Also the soft mute speed and soft volume change speed rates are programmable. Designers can minimize the pop noise by controlling the soft mute speed and volume change intervals. Refer SM flag of register Address 0x33 and SVI flag of register Address 0x30.

### 10.5. Auto Mute

The NTP8910A can mute the sound automatically when the level of input audio signal is lower than the register-controlled threshold value. The mute can be done by PWM switching with 50% duty ratio in AD mode or with a high pulse duration of MLP width in D-BTL mode as shown in **Figure 19**.

Auto mute is supported for internal channels 1~2 after 2x2 mixer block. Refer register Address 0x3A.

### 10.6. Dynamic Range Control

NTP8910A has a new scheme for dynamic range control, which comprise a high band DRC, a low band DRC, a sub band DRC and a post DRC. The input data is filtered by HPF, LPF and SPF, and then processed by H-DRC, L-DRC and S-DRC respectively. Three processed results are merged and followed by post DRC, which produces the output data with the fully controlled dynamic range. For detailed setting of the DRC registers, please refer to the system register addresses in **Table 10**.

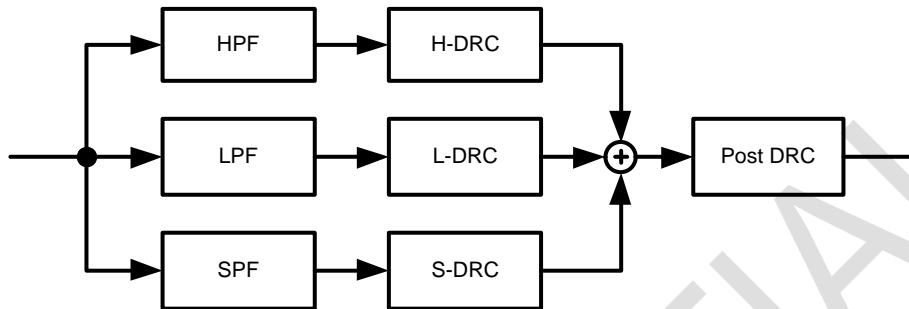


Figure 16. Block Diagram of Dynamic Range Control

3B' DRC Coefficient mode register	0x32 ~ 0x36	0x37 ~ 0x3B	0x3C ~ 0x40	0x41 ~ 0x45	0x46 ~ 0x4A	0x4B ~ 0x4F
When System Address 0x7E = 0x03	LPF1 of L-DRC	LPF2 of L-DRC	HPF1 of H-DRC	HPF2 of H-DRC	SPF1 of S-DRC	SPF2 of S-DRC

Table 10. Coefficient Register Map for Dynamic Range Control

#### 10.6.1. Reinforced Sound Dynamic Range Control (RS DRC)

RS DRC controls its gain based on RMS (Root-Mean Square) level detection. When DRC controls its gain according RMS level detection, the gain transition tends to be more smooth and natural due to averaging function of RMS level detection. Thus, RS DRC gives more natural sound from the point of human perception of loudness, whereas gain control based on peak level provides more tight peak control and better reliability for speakers. Users can freely choose either of the DRC types depending on their needs by setting registers properly in NTP8910A.

### 10.7. Power Meter

The power meter measures the energy of the internally processed signal which is specified through register address 0x2E, and the measured value can be read through register address 0x2F. (refer to the **Table 21. Power Meter Reading Table**)

Because audio signals swing very rapidly in process of time, a user can use the power meter gain to get stable value of energy. The more power meter gain approaches to maximum value, the more value of energy changes slowly.

Power meter gain is 32-bit floating point numbers and can be downloaded thru I<sup>2</sup>C interface. To download power meter gain, page flag register 0x7E should be set 0x01 or 0x03. And then write gain value to 0x58 register address.

## 11. OUTPUT INTERFACE

### 11.1. Output Configuration

The output of NTP8910A has various options. To produce proper output signal, register 0x34, 0x35, 0x3E, 0x3F and 0x43 should be set to appropriate values.

### 11.2. PWM Output Mapper

Any internal channel that produces a PWM output can be assigned to any PWM output hardware port (or pin) by mapping output port register. This feature is very helpful for the hardware designer because it can relieve difficulties in the power stage signal routing and channel assignment if the output channel order is fixed. See the system register address 0x3E and 0x3F in the **Appendix A**.

### 11.3. Switching Output Mode

There are two selectable switching output modes in NTP8910A. The difference between two output modes lies in the relationship of the relative signal pattern between PWM OUTxA and PWM OUTxB for a channel x. The first one is called as AD mode. This AD mode can be applied to both half bridge and full bridge output stage.

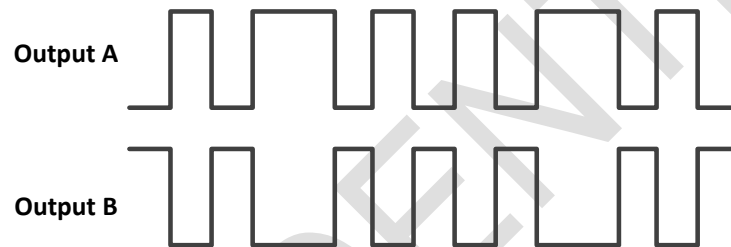


Figure 17. PWM Output Signals in AD Mode

AD asynchronous pair means the normal AD mode PWM output. In other words, A output and B output of each PWM output pair are mutually complementary. In the case of AD synchronous pair, A output and B output is perfectly identical, and its relation is not complementary. This is useful in some special case including single-ended power stage design.

The other one is called as NTX (Neo Trinity Amplification), which is D-BTL mode. This mode is applied only for BTL, and its operation is dynamically-biased BTL, compared to the normal BTL. An example of output signals in D-BTL mode is shown in **Figure 18**.

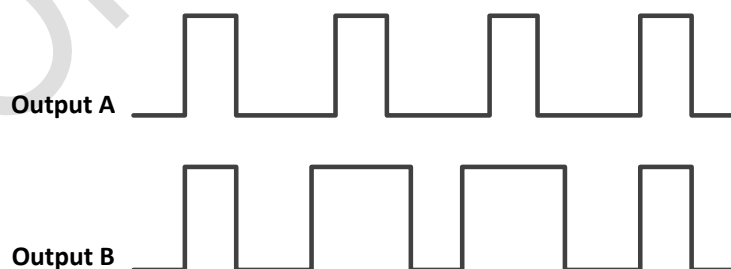
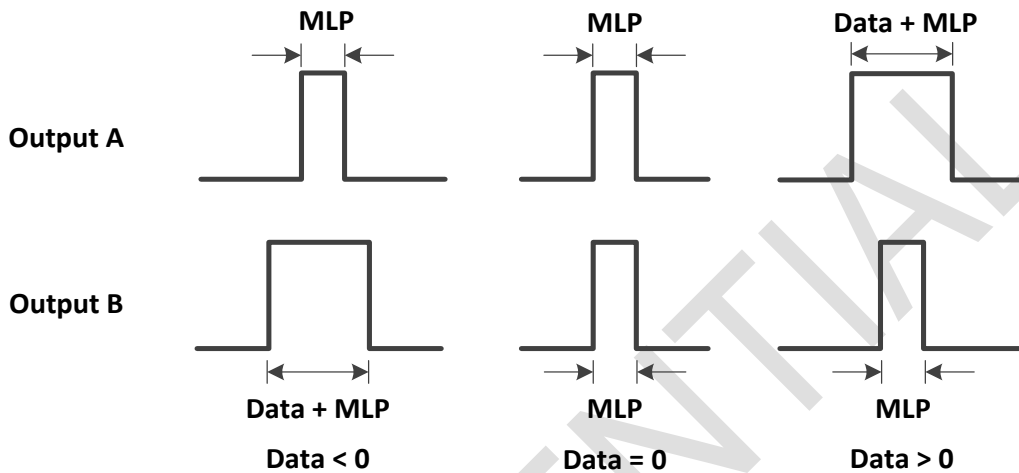


Figure 18. PWM Output Signals in D-BTL Mode

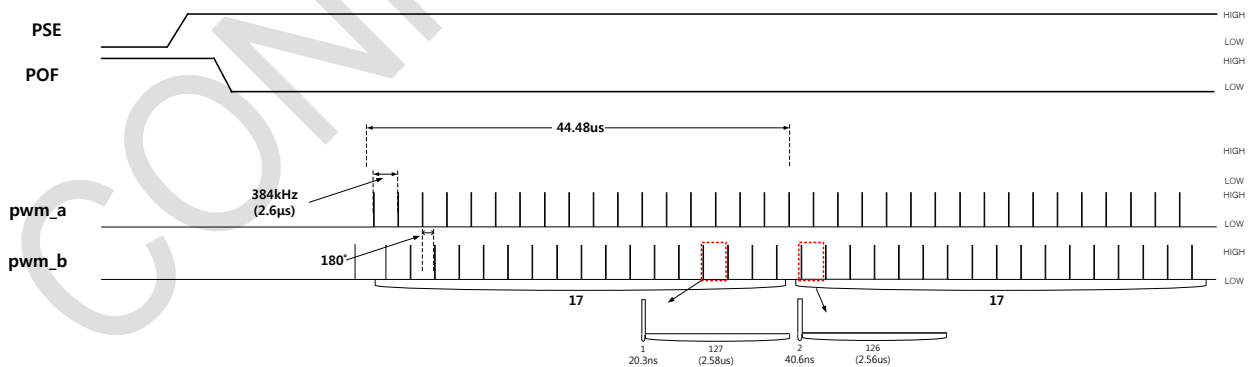
The MLP (Minimum Linear Pulse Length) is a key parameter in D-BTL mode. MLP defines the minimum pulse length that can guarantee a linear relationship between the input and output pulse length. Generally, the width of the output pulse is proportional to that of the input pulse. However, as the width of input pulse becomes narrower, such linear relation is not maintained due to the characteristic of a power device. The minimum MLP value is preferred as long as linear relationship between the input and the output pulse is satisfied. In addition, in terms of power consumption, a minimal MLP value is preferred. This compensation is illustrated in **Figure 19**.



**Figure 19. Compensation by MLP**

**11.4. Soft Start**

The soft\_start reduces pop noise by controlling rapidly increased energy of PWM in AD mode. To begin soft\_start operation, PWM soft start enable register (0x4A: PSE) should be set to high, and then PWM switching on/off register (0x34: POF) should be set to low. The duty ratio of PWM output increases from 127:1 (Low:High) to 50:50 (Low:High). Step repeat time register (0x4A: SRT) means repeat number of PWM output in one duty sector. Soft\_start operation with 17 repetitions is shown in the **Figure 20**.



**Figure 20. Soft Start Operation Timing**

## 12. DC PROTECTION

This DC protection block prevents the system from outputting DC signal, which can cause a speaker unit burnt. Three sub functions are employed to prevent DC output, which are monitoring a memory checksum, observing a modulation index, and cutting DC output via hard-wired filters. Except for the hard-wired DC cut filter, the other two blocks only reports the error status, and external MCU may reset the amplifier chip by setting the DC soft reset register to high.

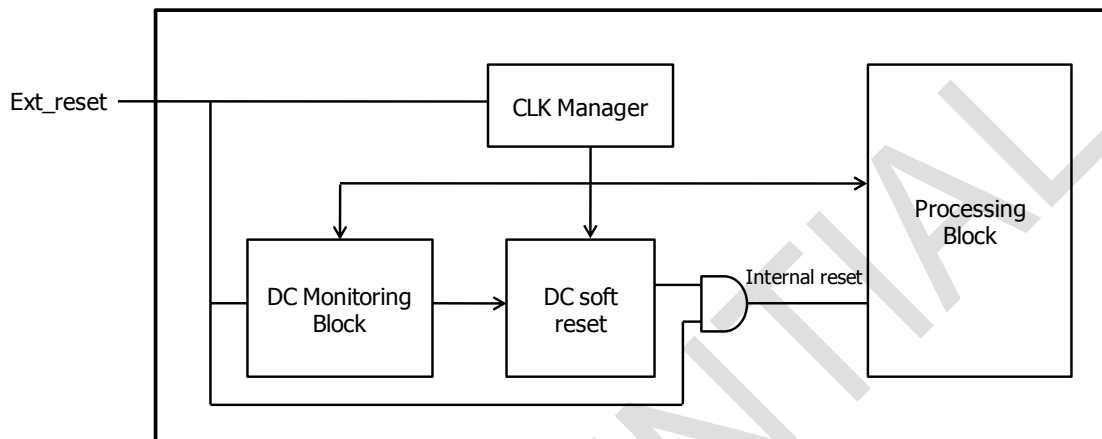


Figure 21. Block Diagram for DC PROTECTION

### 12.1 Memory Checksum

While initializing the system, the checksum data of coefficients are downloaded from the external MCU from the address 0x53 through 0x5A. This memory checksum block compares the checksum data of current memory block and the checksum data at the initial time. If there happens a discrepancy between two values due to some memory fault, the error flag of address 0x5B is set to high. The external MCU can monitor this error flag and reset the chip by setting the DC soft reset to high at address 0x52. This DC soft reset will initialize the whole chip, and initialization process of the memory should be done thereafter.

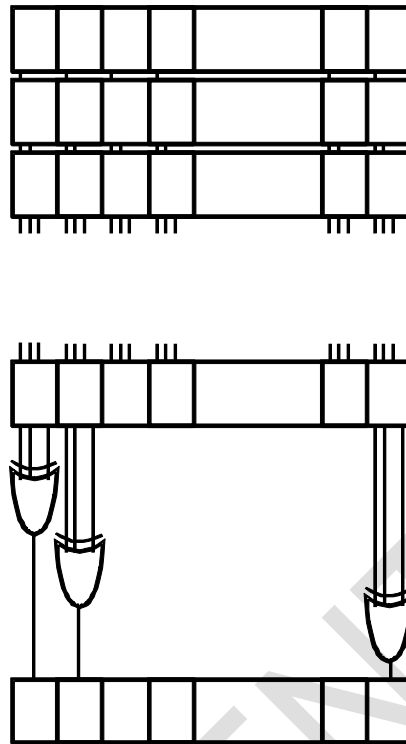


Figure 22. Structure of Memory Checksum

### 12.2 Modulation Index Check

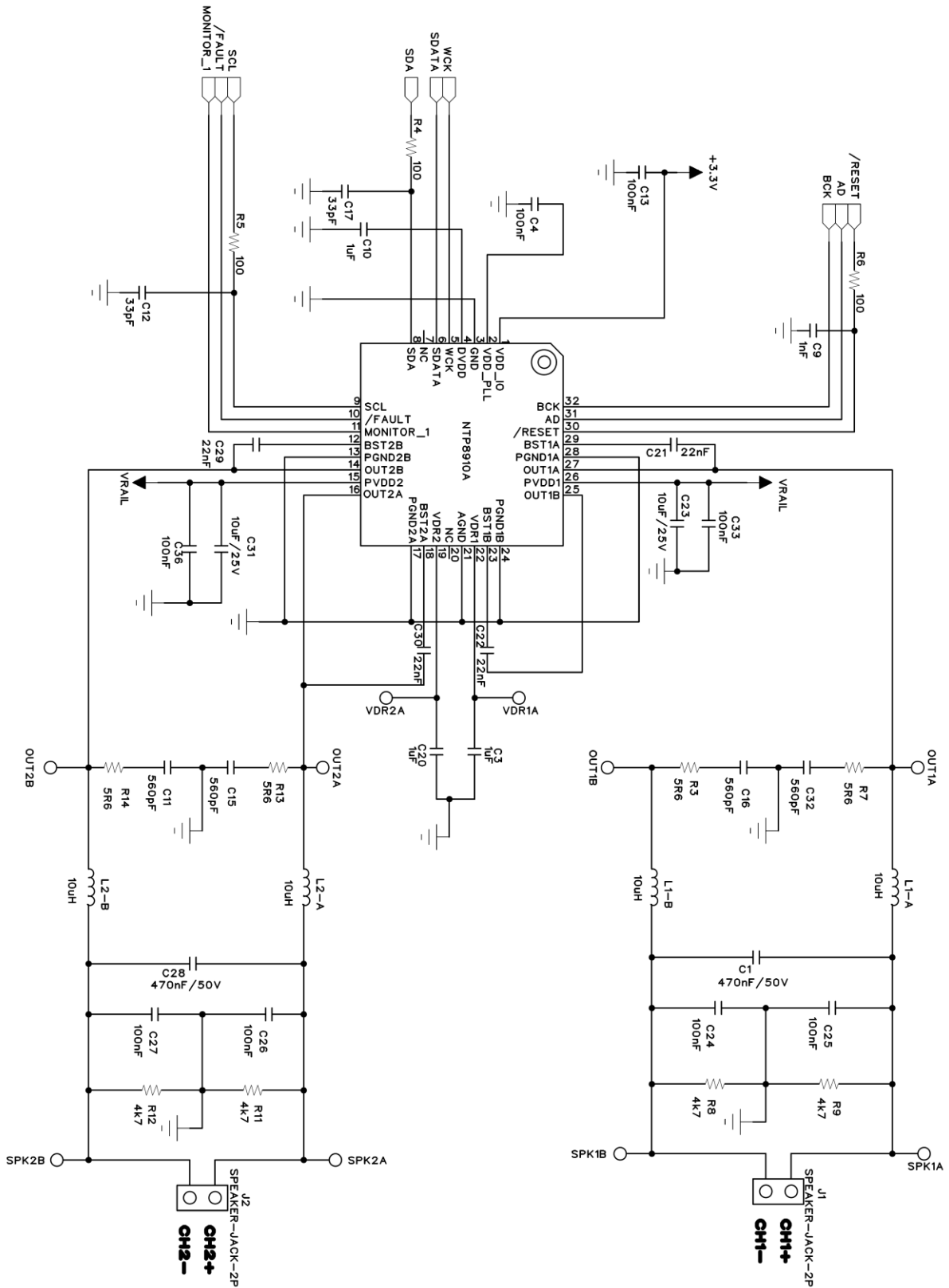
When there is a DC component in the output, the modulation index tends to stay over or under certain value. The modulation index check block constantly monitors the PWM modulation index, and if the index value continues to stay over or under certain period of time, it sets modulation index error flag of address 0x5B to high. The external MCU can monitor this error flag and reset the chip by setting the DC soft reset the register value of address 0x52 to high. The PWM modulation duty at address 0x51 can be set to decide the level of DC monitoring.

### 12.3 Hard-wired DC cut

The hard-wired DC cut filters prevent the system from outputting the signal of less than 1Hz frequency. The hard-wired DC cut filters exist in the Bi-quad filter chain.



### 13. TYPICAL APPLICATION SCHEMATICS



## 14. APPENDIX

### A. Configuration Register Summary

#### Addr 0x00: Audio Input Format

Bit	7	6	5	4	3	2	1	0
Name	X	X	X	X	X	X	X	INS

Name	Description	Value	Meaning	Ref.
INS	Input format	b'0	I <sup>2</sup> S, slave mode	
		b'1	General serial audio, slave mode	

#### Addr 0x01: General Serial Audio Format

Bit	7	6	5	4	3	2	1	0
Name	X	X	BCKS		BS		MLF	LRJ

Name	Description	Value	Meaning	Ref.
LRJ	Serial data justify	b'0	Left justify	
		b'1	Right justify	
MLF	Serial bit order	b'0	MSB first	
		b'1	LSB first	
BS	Serial bit size	b'00	24 bit	
		b'01	20 bit	
		b'10	18 bit	
		b'11	16 bit	
BCKS	Bit clock size select	b'00	64 BCK/WCK	
		b'01	48 BCK/WCK	
		b'10	32 BCK/WCK	

#### Addr 0x02: Master Clock Frequency Control

Bit	7	6	5	4	3	2	1	0
Name	X	X	X	X	X	MCF		

Name	Description	Value	Meaning	Ref.
MCF	Master Clock Frequency	b'000	3.072 MHz (WCK 48 kHz) / 2.8224 MHz (WCK 44.1 kHz)	
		b'001	6.144 MHz (WCK 96 kHz)	
		b'010	2.048 MHz (WCK 32 kHz)	

#### Addr 0x03~0x06: Mixer Gain

Bit	7	6	5	4	3	2	1	0
Name	X	MG						

Name	Description	Value	Meaning	Ref.
MG	Mixer gain	h'00 ~ h'7E	Mixer gain (refer to gain table)	

$$\begin{bmatrix} mixer\_ch1\_output \\ mixer\_ch2\_output \end{bmatrix} = \begin{bmatrix} 0x03 & 0x04 \\ 0x05 & 0x06 \end{bmatrix} \cdot \begin{bmatrix} I2S\_ch1\_input \\ I2S\_ch2\_input \end{bmatrix}$$

Mixer equation

$$\begin{bmatrix} mixer\_ch1\_output \\ mixer\_ch2\_output \end{bmatrix} = \begin{bmatrix} 0dB(0x4E) & -\infty dB(0x00) \\ -\infty dB(0x00) & 0dB(0x4E) \end{bmatrix} \cdot \begin{bmatrix} I2S\_ch1\_input \\ I2S\_ch2\_input \end{bmatrix}$$

Reset default

**Addr 0x07 : RS DRC Control 8**

Bit	7	6	5	4	3	2	1	0
Name	Post_S	High_S	Low_S	Sub_S	X	X	X	Rel_En

Name	Description	Value	Meaning	Ref.
Rel_En	RS DRC Release Filter Enable	b'0	Bypass	
		b'1	Release Filter Enable (Attack Filter Bypass)	
Sub_S	DRC Ver. Selection for Sub-Band	b'0	Old Version (Peak Detection)	
		b'1	New Version (Vrms Detection)	
Low_S	DRC Ver. Selection for Low-Band	b'0	Old Version (Peak Detection)	
		b'1	New Version (Vrms Detection)	
High_S	DRC Ver. Selection for High-Band	b'0	Old Version (Peak Detection)	
		b'1	New Version (Vrms Detection)	
Post_S	DRC Ver. Selection for Post-Band	b'0	Old Version (Peak Detection)	
		b'1	New Version (Vrms Detection)	

**Addr 0x08 : TV Volume**

Bit	7	6	5	4	3	2	1	0
Name	X	TV_VOL						

Name	Description	Value	Meaning	Ref.
TV_VOL	Volume of TV-Set	b'00000000 ~ b'1100100	0 ~ 100	

**Reserved Address 0x09 ~ 0x0A**

**Addr 0x0B: Soft Reset Control**

Bit	7	6	5	4	3	2	1	0
Name	X	X	X	X	X	X	X	SW_RST

Name	Description	Value	Meaning	Ref.
SW_RST	Soft Reset	b'0	Normal operation mode	
		b'1	Reset all functions and return to '0' automatically thereafter	

**Addr 0x0C: Master Volume & SPK PWM Switching On/Off Control**

Bit	7	6	5	4	3	2	1	0
Name	MVOL						SPOF	

Name	Description	Value	Meaning	Ref.
SPOF	Smart Switching Output on/off Control	b'00000000	PWM off (softmute on → pwm off → pwm_mask low)	
		b'00000001	PWM off (softmute on → pwm off → pwm_mask high)	
		b'00000010	PWM on (softmute on → pwm_mask high → pwm on)	
		b'00000011	PWM on (pwm_mask high → pwm on → softmute off)	
MVOL	Volume control	b'00000100 ~ b'11111111	refer to master volume table. Reset default is 0x00 (= -∞ dB). 0xFF means 0dB with 0.5dB step	

**Reserved Address 0x0D**

**Addr 0x0E~0x0F: PEQ Filter Control 0 for Ch1 and Ch2 respectively**

Bit	7	6	5	4	3	2	1	0
Name	X	X	BQ3		BQ2		BQ1	

Name	Description	Value	Meaning	Ref.
BQ1	On/off Bi-Quad 1 of ch. n (n= 1,2)	<b>b'00</b>	Bypass Bi-Quad 1 of channel n	
		b'01	Enable Bi-Quad 1 of channel n	
		b'10	Enable Bi-Quad 1 as Loudness Filter	
BQ2	On/off Bi-Quad 2 of ch. n (n= 1,2)	<b>b'00</b>	Bypass Bi-Quad 2 of channel n	
		b'01	Enable Bi-Quad 2 of channel n	
		b'10	Enable Bi-Quad 2 as Loudness Filter	
BQ3	On/off Bi-Quad 3 of ch. n (n= 1,2)	<b>b'00</b>	Bypass Bi-Quad 3 of channel n	
		b'01	Enable Bi-Quad 3 of channel n	
		b'10	Enable Bi-Quad 3 as Loudness Filter	

**Addr 0x10~0x11: PEQ Filter Control 1 for Ch1, Ch2 respectively**

Bit	7	6	5	4	3	2	1	0
Name	X	X	X	X	X	BQ6	BQ5	BQ4

Name	Description	Value	Meaning	Ref.
BQ4	On/off Bi-Quad 4 of ch. n (n= 1,2)	<b>b'0</b>	Bypass Bi-Quad 4 of channel n	
		b'1	Enable Bi-Quad 4 of channel n	
BQ5	On/off Bi-Quad 5 of ch. n (n= 1,2)	<b>b'0</b>	Bypass Bi-Quad 5 of channel n	
		b'1	Enable Bi-Quad 5 of channel n	
BQ6	On/off Bi-Quad 6 of ch. n (n= 1,2)	<b>b'0</b>	Bypass Bi-Quad 6 of channel n	
		b'1	Enable Bi-Quad 6 of channel n	

**Addr 0x12~0x13: APEQ Filter Control 0 for Ch1 and Ch2 respectively**

Bit	7	6	5	4	3	2	1	0
Name	BQ10		BQ9		BQ8		BQ7	

Name	Description	Value	Meaning	Ref.
BQ7	On/off Bi-Quad 7 of ch. n (n= 1,2)	<b>b'00</b>	Bypass Bi-Quad 7 of channel n	
		b'01	Enable Bi-Quad 7 of channel n	
		b'10	Enable Bi-Quad 7 of channel n as APEQ	
		b'11	Reserved	
BQ8	On/off Bi-Quad 8 of ch. n (n= 1,2)	<b>b'00</b>	Bypass Bi-Quad 8 of channel n	
		b'01	Enable Bi-Quad 8 of channel n	
		b'10	Enable Bi-Quad 8 of channel n as APEQ	
		b'11	Reserved	
BQ9	On/off Bi-Quad 9 of ch. n (n= 1,2)	<b>b'00</b>	Bypass Bi-Quad 9 of channel n	
		b'01	Enable Bi-Quad 9 of channel n	
		b'10	Enable Bi-Quad 9 of channel n as APEQ	
		b'11	Reserved	
BQ10	On/off Bi-Quad 10 of ch. n (n= 1,2)	<b>b'00</b>	Bypass Bi-Quad 10 of channel n	
		b'01	Enable Bi-Quad 10 of channel n	
		b'10	Enable Bi-Quad 10 of channel n as APEQ	
		b'11	Reserved	

**Addr 0x14~0x15: APEQ Filter Control 1 for Ch1 and Ch2 respectively**

Bit	7	6	5	4	3	2	1	0
Name	BQ16	BQ15	BQ14	BQ13	BQ12		BQ11	

Name	Description	Value	Meaning	Ref.
BQ11	On/off Bi-Quad 11 of ch. n (n = 1,2)	<b>b'00</b>	Bypass Bi-Quad 11 of channel n	
		b'01	Enable Bi-Quad 11 of channel n	
		b'10	Enable Bi-Quad 11 of channel n as APEQ	
		b'11	Reserved	
BQ12	On/off Bi-Quad 12 of ch. n (n = 1,2)	<b>b'00</b>	Bypass Bi-Quad 12 of channel n	
		b'01	Enable Bi-Quad 12 of channel n	
		b'10	Enable Bi-Quad 12 of channel n as APEQ	
		b'11	Reserved	
BQ13	On/off Bi-Quad 13 of ch. n (n = 1,2)	<b>b'0</b>	Bypass Bi-Quad 13 of channel n	
		b'1	Enable Bi-Quad 13 of channel n	
BQ14	On/off Bi-Quad 14 of ch. n (n = 1,2)	<b>b'0</b>	Bypass Bi-Quad 14 of channel n	
		b'1	Enable Bi-Quad 14 of channel n	
BQ15	On/off Bi-Quad 15 of ch. n (n = 1,2)	<b>b'0</b>	Bypass Bi-Quad 15 of channel n	
		b'1	Enable Bi-Quad 15 of channel n	
BQ16	On/off Bi-Quad 16 of ch. n (n = 1,2)	<b>b'0</b>	Bypass Bi-Quad 16 of channel n	
		b'1	Enable Bi-Quad 16 of channel n	

**Addr 0x16: Master Volume Fine Control**

Bit	7	6	5	4	3	2	1	0
Name	X	X	X	X	X	X		MVFC

Name	Description	Value	Meaning	Ref.
MVFC	Master volume fine control	<b>b'00</b> ~ b'11	0 dB ~ 0.375 dB with 0.125 dB step	

**Addr 0x17~0x18: Ch1/2 Volume, respectively**

Bit	7	6	5	4	3	2	1	0
Name	VOL							

Name	Description	Value	Meaning	Ref.
VOL	Volume control	b'00000000 ~ b'11111111	refer to channel volume table. Reset default is <b>0x9F</b> (= 0dB). 0xFF means 48dB with 0.5dB step.	

**Addr 0x19: APEQ Path Option**

Bit	7	6	5	4	3	2	1	0
Name	X	X	X	X	X			OPT

Name	Description	Value	Meaning	Ref.
Opt	APEQ Path Option	<b>b'000</b>	cut1=>Vol=>PEQ6=>APEQ6=>DRC=>cut2	Set b'000 for APEQ op. (Same effect btw b'000 & b'010)
		b'001	Reserved	
		b'010	cut1=>PEQ6=>Vol=>APEQ6=>DRC=>cut2	
		b'011	Reserved	
		<b>b'100</b>	cut1=>PEQ6=>APEQ6=>Vol=>DRC=>cut2	
		b'101	Reserved	

**Addr 0x1A: APEQ Filter Control 2 for APEQ1 (BQ7)**

Bit	7	6	5	4	3	2	1	0
Name	X	C1C_DP1			A1C_DP1			

Name	Description	Value	Meaning	Ref.
A1C_DP1	APEQ attack time	<b>b'0000</b> b'1010	~ Attack time control (refer to APEQ attack time table below)	
C1C_DP1	APEQ release time	<b>b'000</b> b'111	~ Release time control (refer to APEQ release time table below)	

Value of Register	Attack time 6dB, fs = 96,000
0011	15msec
0010	8msec
0001	4msec
0000	2msec
0111	1msec
0110	0.5msec
0101	0.25msec
0100	0.125msec
1000	2.5msec
1001	3msec
1010	3.5msec

**Table 11. APEQ Attack Time Table**

Value of Register	Release time 6dB, fs = 96,000
011	5.0sec
010	2.0sec
001	1.0sec
000	0.5sec
111	0.2sec
110	0.1sec
101	0.05sec
100	0.025sec

**Table 12. APEQ Release Time Table**

**Addr 0x1B: APEQ Filter Control 3 for APEQ2 (BQ8)**

Bit	7	6	5	4	3	2	1	0
Name	X	C1C_DP2			A1C_DP2			

Name	Description	Value	Meaning	Ref.
A1C_DP2	APEQ attack time	<b>b'0000</b> b'1010	~ Attack time control (refer to APEQ attack time table in Addr 0x1A)	
C1C_DP2	APEQ release time	<b>b'000</b> b'111	~ Release time control (refer to APEQ release time table in Addr 0x1A)	

**Addr 0x1C: APEQ Filter Control 4 for APEQ3 (BQ9)**

Bit	7	6	5	4	3	2	1	0
Name	X	C1C_DP3			A1C_DP3			

Name	Description	Value	Meaning	Ref.
A1C_DP3	APEQ attack time	<b>b'0000</b> b'1010	~ Attack time control (refer to APEQ attack time table in Addr 0x1A)	
C1C_DP3	APEQ release time	<b>b'000</b> b'111	~ Release time control (refer to APEQ release time table in Addr 0x1A)	

**Addr 0x1D: APEQ Filter Control 5 for APEQ4 (BQ10)**

Bit	7	6	5	4	3	2	1	0
Name	X	C1C_DP4			A1C_DP4			

Name	Description	Value	Meaning	Ref.
A1C_DP4	APEQ attack time	<b>b'0000</b> b'1010	~ Attack time control (refer to APEQ attack time table in Addr 0x1A)	
C1C_DP4	APEQ release time	<b>b'000</b> b'111	~ Release time control (refer to APEQ release time table in Addr 0x1A)	

**Addr 0x1E: APEQ Filter Control 6 for APEQ5 (BQ11)**

Bit	7	6	5	4	3	2	1	0
Name	X	C1C_DP5			A1C_DP5			

Name	Description	Value	Meaning	Ref.
A1C_DP5	APEQ attack time	<b>b'0000</b> b'1010	~ Attack time control (refer to APEQ attack time table in Addr 0x1A)	
C1C_DP5	APEQ release time	<b>b'000</b> b'111	~ Release time control (refer to APEQ release time table in Addr 0x1A)	

**Addr 0x1F: APEQ Filter Control 7 for APEQ6 (BQ12)**

Bit	7	6	5	4	3	2	1	0
Name	X	C1C_DP6			A1C_DP6			

Name	Description	Value	Meaning	Ref.
A1C_DP6	APEQ attack time	<b>b'0000</b> b'1010	~ Attack time control (refer to APEQ attack time table in Addr 0x1A)	
C1C_DP6	APEQ release time	<b>b'000</b> b'111	~ Release time control (refer to APEQ release time table in Addr 0x1A)	

**Addr 0x20: DRC Control 0**

Bit	7	6	5	4	3	2	1	0
Name	CPR_L	CTS_L						

Name	Description	Value	Meaning	Ref.
CTS_L	DRC threshold for Low band	<b>b'0000000</b> ~ b'1111111	-57 ~ 12dB unsigned 7-bit DRC threshold for 1 band mode. In 2 band mode, It will control the threshold of low band. Refer to DRC threshold table for threshold values.	
CPR_L	DRC enable for Low band	<b>b'0</b>	Dynamic Range Compression off	
		b'1	Dynamic Range Compression on	

**Addr 0x21: DRC Control 1**

Bit	7	6	5	4	3	2	1	0
Name	X	C1C_L			A1C_L			

Name	Description	Value	Meaning	Ref.
A1C_L	DRC attack time (Low band)	b'0000 ~ b'1010	Attack time control for 1 band mode. In 2 band mode, it will control the attack time of low band. (refer to DRC attack time table below) default = <b>b'0001</b>	
C1C_L	DRC release time (Low band)	b'000 ~ b'111	Release time control for 1 band mode. In 2 band mode, it will control the release time of low band. (refer to DRC release time table below)	

Value of Register	Attack time 6dB, fs = 96,000
0011	30msec
0010	15msec
0001	8msec
0000	4msec
0111	2msec
0110	1msec
0101	0.5msec
0100	0.25msec
1000	5msec
1001	6msec
1010	7msec

**Table 13. DRC Attack Time Table**

Value of Register	Release time 6dB, fs = 96,000
011	5.0sec
010	2.0sec
001	1.0sec
000	0.5sec
111	0.2sec
110	0.1sec
101	0.05sec
100	0.025sec

**Table 14. DRC Release Time Table**

**Addr 0x22: DRC Control 2**

Bit	7	6	5	4	3	2	1	0
Name	CPR_H	CTS_H						

Name	Description	Value	Meaning	Ref.
CTS_H	DRC threshold for High band	b'0000000 ~ b'1111111	-57 ~ 12dB unsigned 7-bit DRC threshold for high band. It has effect only in 2 band mode. Refer to DRC threshold value table for threshold values.	
CPR_H	DRC enable for High band	b'0	Dynamic Range Compression off	
		b'1	Dynamic Range Compression on	



**Addr 0x23: DRC Control 3**

Bit	7	6	5	4	3	2	1	0
Name	X	C1C_H			A1C_H			

Name	Description	Value	Meaning	Ref.
A1C_H	DRC attack time (High band)	b'0000 ~ b'1010	Attack time control for high band mode. It has effect only in 2 band mode. (See DRC attack time table in Addr 0x21) default = <b>b'0001</b>	
C1C_H	DRC release time (High band)	b'000 ~ b'111	Release time control for high band mode. It has effect only in 2 band mode. (refer to DRC release time table in Addr 0x21)	

**Addr 0x24: RS DRC Control 0**

Bit	7	6	5	4	3	2	1	0
Name	RS_EN	X	X	X	X	X	X	X

Name	Description	Value	Meaning	Ref.
RS_EN	RS DRC Enable	b'0	Disable RS DRC	
		b'1	Enable RS DRC	

**Addr 0x25: RS DRC Control 1**

Bit	7	6	5	4	3	2	1	0
Name	Period_L(7:0)							

Name	Description	Value	Meaning	Ref.
Period_L	Vrms Period for Low-Band	<b>h'0A</b>	Period of Vrms calculation for High-Band. Roughly, the step between 1 and 10 is 0.1ms, and between 11 and 127 is 0.7ms. Over 128 is meaningless. Ex) 0x28 represents about 22ms. (22ms = 0.1ms*10 + 0.7ms*30)	

**Addr 0x26: DRC Control 6**

Bit	7	6	5	4	3	2	1	0
Name	CPR_P	CTS_P						

Name	Description	Value	Meaning	Ref.
CTS_P	DRC threshold for Post band	b'0000000 ~ b'1111111	-57 ~ 12dB unsigned 7-bit DRC threshold Refer to DRC threshold table.	
CPR_P	DRC enable for Post band	b'0	Dynamic Range Compression off	
		b'1	Dynamic Range Compression on	

**Addr 0x27: DRC Control 7**

Bit	7	6	5	4	3	2	1	0
Name	X	C1C_P			A1C_P			

Name	Description	Value	Meaning	Ref.
A1C_P	DRC attack time (Post band)	b'0000 ~ b'1010	Attack time control (refer to DRC attack time table in Addr 0x21) default = <b>b'0001</b>	
C1C_P	DRC release time (Post band)	b'000 ~ b'111	Release time control (refer to DRC release time table in Addr 0x21) default = <b>b'100</b>	

**Addr 0x28: DRC Control 8**

Bit	7	6	5	4	3	2	1	0
Name	X	X	X	DLL				

Name	Description	Value	Meaning	Ref.
DLL	Delay line length	b'00000~ b'10100	Delay line length. 0~20(decimal)	

**Addr 0x29: DRC Control 9**

Bit	7	6	5	4	3	2	1	0
Name	CCO	DTS1	DTS2	2BM	X	X	X	CAS

Name	Description	Value	Meaning	Ref.
CAS	Coupled All pass Structure enable	b'0	Enable coupled all pass structure	
		b'1	Disable coupled all pass structure	
2BM	2band mode enable	b'0	1 band DRC	
		b'1	2 band DRC	
DTS2	P-DRC type select	b'0	P-DRC new mode	
		b'1	P-DRC old mode	
DTS1	LH-DRC type select	b'0	LH-DRC new mode	
		b'1	LH-DRC old mode	
CCO	Clip control option	b'0	Clip off	
		b'1	Clip on	

**Addr 0x2A: DRC Control 10**

Bit	7	6	5	4	3	2	1	0
Name	CPR_S	CTS_S						

Name	Description	Value	Meaning	Ref.
CTS_S	DRC threshold for Sub band	b'0000000 ~ b'1111111	-57 ~ 12dB unsigned 7-bit DRC threshold for Sub band. It has effect only in 3 band mode. Refer to DRC threshold table for threshold values. default= <b>b'1101010</b>	
CPR_S	DRC enable for Sub band	b'0	Dynamic Range Compression off	
		b'1	Dynamic Range Compression on	

**Addr 0x2B: DRC Control 11**

Bit	7	6	5	4	3	2	1	0
Name	X	C1C_S			A1C_S			

Name	Description	Value	Meaning	Ref.
A1C_S	DRC attack time (Sub band)	b'0000 ~ b'1010	Attack time control for sub band mode. It has effect only in 3 band mode. (Refer to DRC attack time table in Addr 0x21.) default = <b>b'0001</b>	
C1C_S	DRC release time (Sub band)	b'000 ~ b'111	Release time control for sub band mode. It has effect only in 3 band mode. (refer to DRC release time table in Addr 0x21.)	

**Addr 0x2C: DRC Control 12**

Bit	7	6	5	4	3	2	1	0
Name	X	X	X	X	X	X	DTS3	SBM

Name	Description	Value	Meaning	Ref.
SBM	Sub band mode enable	b'0	Sub band mode Disable	
		b'1	Sub band mode Enable	
DTS3	Sub DRC type select	b'0	Sub DRC new mode	
		b'1	Sub DRC old mode	

**Addr 0x2D: Threshold Table Mapping Coefficient for RS DRC**

Bit	7	6	5	4	3	2	1	0
Name	X	X	X	COEF_SEL				

Name	Description	Value	Meaning	Ref.
COEF_SEL	Threshold Table Mapping	<b>d'10</b>	Default Value : 10 (= 2.0) The range is between 0 and 20, and the step unit is 0.1. For example, 0x0F means 2.5.	

**Addr 0x2E : Power Meter Control**

Bit	7	6	5	4	3	2	1	0
Name	X	X	X	PDPOS	X	X	PDCH	

Name	Description	Value	Meaning	Ref.
PDCH	Power meter Detect Channel	<b>b'00</b>	L+R (default)	
		b'01	L channel	
		b'10	R channel	
PDPOS	Power meter Detect Position	<b>b'0</b>	After volume (default)	
		b'1	Before volume (from digital input)	

**Addr 0x2F : Power Meter (read only)**

Bit	7	6	5	4	3	2	1	0
Name	Power meter							

**Addr 0x30: Soft Volume Control**

Bit	7	6	5	4	3	2	1	0
Name	X	X	X	X	X	X	SVI	

Name	Description	Value	Meaning	Ref.
SVI	Soft volume change	<b>b'00</b>	Medium speed	
		b'01	High speed	
		b'10	Low speed	
		b'11	soft volume change disable	

**Addr 0x31 : IBB Parameter Selection**

Bit	7	6	5	4	3	2	1	0
Name	X	X	X	X	P_SEL			

Name	Description	Value	Meaning	Ref.
P_SEL	Volume Parameter	0x00	Volume0	Before writing values at the register of 0x32, the relevant parameters in P_SEL should be written.
		0x01	Volume1	
		0x02	Volume2	
		0x03	Volume3	
		0x04	Volume4	
	Gain Parameters	0x05	Gain0 (dB)	
		0x06	Gain1 (dB)	
		0x07	Gain2 (dB)	
		0x08	Gain3 (dB)	
		0x09	Gain4 (dB)	
	Slope Parameters	0x0A	Slope0 = (Gain1 – Gain0)/(Vol1 – Vol0)	
		0x0B	Slope1 = (Gain2 – Gain1)/(Vol2 – Vol1)	
		0x0C	Slope2 = (Gain3 – Gain2)/(Vol3 – Vol2)	
0x0D		Slope3 = (Gain4 – Gain3)/(Vol4 – Vol3)		

**Addr 0x32 : IBB Parameter Value**

Bit	7	6	5	4	3	2	1	0
Name	P_VAL							

Name	Description	Value	Meaning	Ref.
P_VAL	Volume	0 ~ 100	Set volume of each inflection point. The relevant point should be selected in the 0x31 register as one of 0x0 ~ 0x4.	Up to four inflection points can set, and its relevant selection, P_SEL, in the 0x31 register should be properly written before writing P_VAL
	Gain (dB)	0 ~ 90	Set gain of each inflection point. The relevant point should be selected in the 0x31 register as one of 0x5 ~ 0x9.	
	Slope (dB)	0x00 ~ 0xFF	Set slope value between adjacent inflection points. The relevant interval should be selected in the 0x31 register as one of 0xA ~ 0xD. (Data format is sx.xxxxx. e.g. for the slope value of -1, the relevant register value is 11000000b)	

Volume	Gain (dB)	Slope
10	15	0xDA
20	9	0xFA
50	6	0xF6
80	1	0xFD
100	0	-

**Table 15. Default IBB Parameter Table**

**Addr 0x33 : Soft Mute Control**

Bit	7	6	5	4	3	2	1	0
Name	SMH	X	X	X	X	X	SM2	SM1

Name	Description	Value	Meaning	Ref.
SMn	Softmute	b'0	increase for channel n	
		b'1	decrease for channel n	
SMH	Soft Mute Change speed	b'0	42/46 msec (at 96/88.2kHz)	
		b'1	Hard change	

**Addr 0x34 : PWM Switching On/Off Control**

Bit	7	6	5	4	3	2	1	0
Name	X	X	X	X	X	X	POF2	POF1

Name	Description	Value	Meaning	Ref.
POFn	Switching output On/off control	b'0	Channel n PWM switching on	
		b'1	Channel n PWM switching off	

**Addr 0x35 : PWM\_MASK Control 0**

Bit	7	6	5	4	3	2	1	0
Name	X	X	X	X	SRD	FPMLD	PWMM	

Name	Description	Value	Meaning	Ref.
PWMM	PWM MASK register	b'10	PWM MASK output is low.	
		Otherwise	PWM MASK output is high.	
FPMLD	Permanent PWM_MASK Low disable flag	b'0	No effect	
		b'1	Reset the Auto PWM_MASK restore counter to 0	
SRD	FAULT disable	b'0	FAULT is effective for PROTECT	
		b'1	FAULT is ineffective for PROTECT	

**Addr 0x36 : PWM\_MASK Control 1**

Bit	7	6	5	4	3	2	1	0
Name	X	X	X	X	X	X	APM	POF

Name	Description	Value	Meaning	Ref.
POF	PWM off flag	b'0	Even if Auto PWM_MASK condition is met, the PWM output of all channels is not affected.	
		b'1	When Auto PWM_MASK condition is met, the PWM output of all channels goes to the defined state which is set by the PWM off state control registers (Addr 0x37 & 0x6F).	
APM	PWM_MASK flag	b'0	Even if Auto PWM_MASK condition is met, the PWM_MASK output of all channels is not affected.	
		b'1	When Auto PWM_MASK condition is met, the PWM_MASK output goes to Low state.	

**Addr 0x37 : PWM\_MASK Control 2**

Bit	7	6	5	4	3	2	1	0
Name	X	VMSK2	VMSK1	VMSK0	X	PMSK2	PMSK1	PMSK0

Name	Description	Value	Meaning	Ref.
PMSKn	Masking bit of PWM off control	b'0	Mask bit indicating the validity of n-th bit of Addr 0x75 system register: If the n-th bit of this register is zero, the n-th bit of Addr 0x75 system register is invalid. The n-th bit of Addr 0x75 is valid only when the n-th mask bit is one.	
		b'1		
VMSKn	Masking bit of PWM_MASK signal	b'0		
		b'1		

**Addr 0x38 : PWM\_MASK Control 3**

Bit	7	6	5	4	3	2	1	0
Name	IRC		AVRCT			PHT		

Name	Description	Value	Meaning	Ref.
PHT	PWM_MASK Low Hold Time	b'000	0.5 msec Hold Time	
		b'001	1 msec Hold Time	
		b'010	2 msec Hold Time	
		<b>b'011</b>	4 msec Hold Time (Default)	
		b'100	8 msec Hold Time	
		b'101	16msec Hold Time	
AVRCT	Auto PWM_MASK Restore Counter Threshold	b'000	2	
		<b>b'001</b>	5 (Default)	
		b'010	10	
		b'011	15	
		b'100	20	
		b'101	25	
		b'111	Infinity	
IRC	Auto PWM_MASK Restore Interval Ratio Control	<b>b'00</b>	2 (Default)	
		b'01	4	

**Addr 0x39 : PWM\_MASK Control 4**

Bit	7	6	5	4	3	2	1	0
Name	SHE	POE	X	X	X	HT2		

Name	Description	Value	Meaning	Ref.
HT2	Hold Time 2 apply start point (restore counter)	b'000	100 msec Hold Time	
		b'001	200 msec Hold Time	
		b'010	400 msec Hold Time	
		<b>b'011</b>	600 msec Hold Time (Default)	
		b'100	800 msec Hold Time	
		b'101	1 sec Hold Time	
		b'110	2 sec Hold Time	
		b'111	4 sec Hold Time	
POE	PWM off when PWM_MASK off and PWM on when PWM_MASK recovers	b'0	Disable	
		<b>b'1</b>	Enable (Default)	
SHE	Second Hold time Enable	<b>b'0</b>	Disable	
		b'1	Enable	

**Addr 0x3A: Auto-Mute Control for CH1 & CH2**

Bit	7	6	5	4	3	2	1	0
Name	X	EAMC	II		AT			

Name	Description	Value	Meaning	Ref.
AT	Auto-mute detection threshold	<b>b'0000 ~ b'1111</b>	Unsigned integer between 0 and 15 Refer to Auto Mute detection threshold table for threshold values.	
II	Auto-mute response time	<b>b'00</b>	5 msec	
		b'01	50 msec	
		b'10	500 msec	
		b'11	2 sec	
EAMC	Effect of Auto-mute condition	<b>b'0</b>	Auto mute disable (No-Effect)	
		b'1	Stop PWM switching when auto-mute condition is met.	

**Reserved Address 0x3B**

**Addr 0x3C: CH1&CH2 Prescaler Value Control**

Bit	7	6	5	4	3	2	1	0
Name	PS12							

Name	Description	Value	Meaning	Ref.
PS12	Prescaler value	b'00000000 ~ b'11111111	default = <b>0x4C</b>	

**Addr 0x3D: WCK Synchronization Control**

Bit	7	6	5	4	3	2	1	0
Name	SYN_En	X	X	X	X	X	X	X

Name	Description	Value	Meaning	Ref.
SYN_En	WCK Synchronization	<b>b'0</b>	Disable	
		b'1	Enable	

**Addr 0x3E: PWM Output Port Control for PWM Port 1A & 1B**

Bit	7	6	5	4	3	2	1	0
Name	X	X	OPM1B			OPM1A		

Name	Description	Value	Meaning	Ref.
OPM1A	Select source channel for PWM output port 1A	<b>b'000</b>	PWM1A is connected to PWM port 1A	
		b'001	PWM1B is connected to PWM port 1A	
		b'010	PWM2A is connected to PWM port 1A	
		b'011	PWM2B is connected to PWM port 1A	
OPM1B	Select source channel for PWM output port 1B	b'000	PWM1A is connected to PWM port 1B	
		<b>b'001</b>	PWM1B is connected to PWM port 1B	
		b'010	PWM2A is connected to PWM port 1B	
		b'011	PWM2B is connected to PWM port 1B	

**Addr 0x3F: PWM Output Port Control for PWM Port 2A & 2B**

Bit	7	6	5	4	3	2	1	0
Name	X	X	OPM2B			OPM2A		

Name	Description	Value	Meaning	Ref.
OPM2A	Select source channel for PWM output port 2A	b'000	PWM1A is connected to PWM port 2A	
		b'001	PWM1B is connected to PWM port 2A	
		<b>b'010</b>	PWM2A is connected to PWM port 2A	
		b'011	PWM2B is connected to PWM port 2A	
OPM2B	Select source channel for PWM output port 2B	b'000	PWM1A is connected to PWM port 2B	
		b'001	PWM1B is connected to PWM port 2B	
		b'010	PWM2A is connected to PWM port 2B	
		<b>b'011</b>	PWM2B is connected to PWM port 2B	

**Addr 0x40: NS Soft Mute Control**

Bit	7	6	5	4	3	2	1	0
Name	X	X	Time_Lim	Enable	CNT_THR			

Name	Description	Value	Meaning	Ref.
CNT_THR	Minimum counting value	b'0000~ b'1111	Minimum counting value of continuous zeros for forcing NS_OUT as 0. default = <b>b'0110</b>	
Enable	Enable NS soft mute	b'0	Disable	
		b'1	Enable	
Time_Lim	Time limit on finding continuous zeros	b'0	Time Limit = 200ms	
		b'1	Time Limit = 400ms	

**Addr 0x41: Modulation Index & NS-Type Control**

Bit	7	6	5	4	3	2	1	0
Name	X	M0		FB	X	NTF_Order	MD12	

Name	Description	Value	Meaning	Ref.
MD12	Modulation index control by Minimum pulse width for Ch 1&2	b'00	Minimum pulse width = 80 ns	
		b'01	Minimum pulse width = 60 ns	
		b'10	Minimum pulse width = 40 ns	
		b'11	Minimum pulse width = 20 ns	
NTF_Order	Select NTF Order	b'0	NTF Order = 4	
		b'1	NTF Order = 5	
FB	Feed Back on/off	b'0	NS Feed Back off	
		b'1	NS Feed Back on	
M0	Dither Position Selector	b'00	No left shift on dither value = Dither off	
		b'01	1bit left shift on dither value	
		b'10	2bit left shift on dither value	
		b'11	3bit left shift on dither value	

**Addr 0x42: NS Feedback Limit**

Bit	7	6	5	4	3	2	1	0
Name	X	FBMAX						

Name	Description	Value	Meaning	Ref.
FBMAX	Feedback on/off	b'0000000 ~b'1111111	Feedback limit, default = <b>0x04</b>	

**Addr 0x43: Miscellaneous PWM Control**

Bit	7	6	5	4	3	2	1	0
Name	X	X	X	X	BHL	AHL	MD	

Name	Description	Value	Meaning	Ref.
MD	PWM output mode	b'00	Reserved	
		b'10	PWM D-BTL MODE (see 0x45)	
AHL	A-out state When switching off	b'0	Low	
		b'1	High	
BHL	B-out state when switching off	b'0	Low	
		b'1	High	

**Addr 0x44: PWM D-BTL MODE Control 0**

Bit	7	6	5	4	3	2	1	0
Name	X	MLP						

Name	Description	Value	Meaning	Ref.
MLP	Minimum Linear pulse length	b'0001110	Unsigned 0~64	



**Addr 0x45: PWM D-BTL MODE Control 1**

Bit	7	6	5	4	3	2	1	0
Name	X	X	X	X	X	X	NSS	

Name	Description	Value	Meaning	Ref.
NSS	NS Select	<b>b'00</b>	7bits NS (AD mode)	
		b'01	Reserved	
		b'10	8bits NS	
		b'11	New 8bits NS (D-BTL mode)	

**Reserved Address 0x46 ~ 0x49**

**Addr 0x4A: Soft Start Control 0**

Bit	7	6	5	4	3	2	1	0
Name	PSE	SRT						

Name	Description	Value	Meaning	Ref.
SRT	Step Repeat Time	b'000000 ~b'111111	Repeat time of each step (default = <b>b'0010000</b> – means repeat 17 times)	
PSE	PWM soft start Enable	b'0	Disable	
		b'1	Enable (only under AD mode)	

**Addr 0x4B: Soft Start Control 1**

Bit	7	6	5	4	3	2	1	0
Name	X	X	X	X	X	X	MP_PD	

Name	Description	Value	Meaning	Ref.
MP_PD	Soft start minimum pulse of Power device	b'00	First pulse width = 20 ns	
		b'01	First pulse width = 40 ns	
		b'10	First pulse width = 60 ns	
		b'11	First pulse width = 80 ns	

**Reserved Address 0x4C**

**Addr 0x4D: RS DRC Control 5**

Bit	7	6	5	4	3	2	1	0
Name	Period_H (7:0)							

Name	Description	Value	Meaning	Ref.
Period_H	Vrms Period for High-Band	<b>h'0A</b>	Period of Vrms calculation for High-Band. Roughly, the step between 1 and 10 is 0.1ms, and between 11 and 127 is 0.7ms. Over 128 is meaningless. Ex) 0x28 represents about 22ms. (22ms = 0.1ms*10 + 0.7ms*30)	

**Addr 0x4E: RS DRC Control 6**

Bit	7	6	5	4	3	2	1	0
Name	Period_S (7:0)							

Name	Description	Value	Meaning	Ref.
Period_S	Vrms Period for Sub-Band	<b>h'0A</b>	Period of Vrms calculation for High-Band. Roughly, the step between 1 and 10 is 0.1ms, and between 11 and 127 is 0.7ms. Over 128 is meaningless. Ex) 0x28 represents about 22ms. (22ms = 0.1ms*10 + 0.7ms*30)	

**Addr 0x4F: RS DRC Control 7**

Bit	7	6	5	4	3	2	1	0
Name	Period_P (7:0)							

Name	Description	Value	Meaning	Ref.
Period_P	Vrms Period for Post-Band	<b>h'0A</b>	Period of Vrms calculation for High-Band. Roughly, the step between 1 and 10 is 0.1ms, and between 11 and 127 is 0.7ms. Over 128 is meaningless. Ex) 0x28 represents about 22ms. (22ms = 0.1ms*10 + 0.7ms*30)	

**Addr 0x50: AD DC Protection Control 0**

Bit	7	6	5	4	3	2	1	0
Name	PDH				PDL			

Name	Description	Value	Meaning	Ref.
PDL	PWM Duty Low for Modulation Index Error	b'0000	40%	
		b'0001	35%	
		<b>b'0010</b>	30%	
		b'0011	25%	
		b'0100	20%	
		b'0101	15%	
		b'0110	10%	
		b'0111	5%	
PDH	PWM Duty High for Modulation Index Error	b'1000	45%	
		b'0000	60%	
		b'0001	65%	
		<b>b'0010</b>	70%	
		b'0011	75%	
		b'0100	80%	
		b'0101	85%	
		b'0110	90%	
b'0111	95%			
b'1000	55%			

**Addr 0x51: D-BTL DC Protection Control 1**

Bit	7	6	5	4	3	2	1	0
Name	X	X	X	X	MLPA			

Name	Description	Value	Meaning	Ref.
MLPA	D-BTL Duty High for Modulation Index Error	<b>b'0000</b>	5%	
		b'0001	10%	
		b'0010	15%	
		b'0011	20%	
		b'0100	25%	
		b'0101	30%	
		b'0110	35%	
		b'0111	40%	
		b'1000	45%	
b'1001	50%			

**Addr 0x52: DC Protection Control 2**

Bit	7	6	5	4	3	2	1	0
Name	X	X	X	X	X	PFE	DFE	MFE

Name	Description	Value	Meaning	Ref.
MFE	Modulation Index Error Enable	b'0	Modulation Index Error Disable	
		b'1	Modulation Index Error Enable	
DFE	DRC Coefficient Error Enable	b'0	MDRC Coefficient Error Disable	
		b'1	MDRC Coefficient Error Enable	
PFE	PEQ Coefficient Error Enable	b'0	PEQ Coefficient Error Disable	
		b'1	PEQ Coefficient Error Enable	

**Addr 0x53: DC Protection Control 3**

Bit	7	6	5	4	3	2	1	0
Name	X	X	PCS3					

Name	Description	Value	Meaning	Ref.
PCS3	PEQ RX Checksum(29:24)		default = <b>0x36</b>	

**Addr 0x54: DC Protection Control 4**

Bit	7	6	5	4	3	2	1	0
Name	PCS2							

Name	Description	Value	Meaning	Ref.
PCS2	PEQ RX Checksum (23:16)		default = <b>0x00</b>	

**Addr 0x55: DC Protection Control 5**

Bit	7	6	5	4	3	2	1	0
Name	PCS1							

Name	Description	Value	Meaning	Ref.
PCS1	PEQ RX Checksum (15:8)		default = <b>0x00</b>	

**Addr 0x56: DC Protection Control 6**

Bit	7	6	5	4	3	2	1	0
Name	PCS0							

Name	Description	Value	Meaning	Ref.
PCS0	PEQ RX Checksum (7:0)		default = <b>0x00</b>	

**Addr 0x57: DC Protection Control 7**

Bit	7	6	5	4	3	2	1	0
Name	X	X	DCS3					

Name	Description	Value	Meaning	Ref.
DCS3	MDRC RX Checksum (29:24)		default = <b>0x14</b>	

**Addr 0x58: DC Protection Control 8**

Bit	7	6	5	4	3	2	1	0
Name	DCS2							

Name	Description	Value	Meaning	Ref.
DCS2	MDRC RX Checksum (23:16)		default = <b>0x8E</b>	

**Addr 0x59: DC Protection Control 9**

Bit	7	6	5	4	3	2	1	0
Name	DCS1							

Name	Description	Value	Meaning	Ref.
DCS1	MDRC RX Checksum (15:8)		default = <b>0x9C</b>	

**Addr 0x5A: DC Protection Control 10**

Bit	7	6	5	4	3	2	1	0
Name	DCS0							

Name	Description	Value	Meaning	Ref.
DCS0	MDRC RX Checksum (7:0)		default = <b>0x10</b>	

**Addr 0x5B: DC Protection Control 11 (read only)**

Bit	7	6	5	4	3	2	1	0
Name	X	X	X	X	X	PEF	DEF	MEF

Name	Description	Value	Meaning	Ref.
MEF	Modulation Index Error Flag	b'0		
		b'1	Modulation Index Error	
DEF	DRC Coefficient Error Flag	b'0		
		b'1	MDRC Coefficient Error	
PEF	PEQ Coefficient Error Flag	b'0		
		b'1	PEQ Coefficient Error	

**Addr 0x5C: Checksum Download Type Control**

Bit	7	6	5	4	3	2	1	0
Name	X	X	X	X	X	X	X	CDT

Name	Description	Value	Meaning	Ref.
CDT	Checksum download type	b'0	1byte * 4 (addr 0x53~0x56, 0x57~0x5A)	
		b'1	4byte (Coefficient mode)	

**Addr 0x5D: Driver Control**

Bit	7	6	5	4	3	2	1	0
Name	X	X	X	X	X	X	PWM MASK_SEL	SHDN

Name	Description	Value	Meaning	Ref.
SHDN	Shutdown	b'0	SHDN pin go to low	
		b'1	SHDN pin go to high	
PWM MASK_SEL	PWM MASK output select	b'0	PWM_MASK0,1 pin <= PWM_MASK0,1	
		b'1	PWM_MASK0,1 pin <= SHDN	

**Reserved Address 0x5E ~ 0x5F**

**Addr 0x60: SSRC Control 0**

Bit	7	6	5	4	3	2	1	0
Name	X	X	DCESW	X	FSFHM	FSFSM	X	X

Name	Description	Value	Meaning	Ref.
FSFSM	frequency stable effect on soft mute flag	b'0	no effect on soft mute flag	
		b'1	soft mute flag = 1 when unstable state	
FSFHM	frequency stable effect on hard mute flag	b'0	no effect on hard mute flag	
		b'1	hard mute flag = 1 when unstable state	
DCESW	DC Check Enable of SRC WCK	b'0	DC Check Disable in SRC WCK	
		b'1	DC Check Enable in SRC WCK	

**Addr 0x61: SSRC Control 1**

Bit	7	6	5	4	3	2	1	0
Name	X	X	X	X	FVT			

Name	Description	Value	Meaning	Ref.
FVT	Frequency variation threshold	b'0000 ~ b'1111	threshold value for frequency stable check (unsigned integer) default : <b>b'0111</b>	

**Reserved Address 0x62 ~ 0x65**

**Addr 0x66: I<sup>2</sup>C Glitch Filter**

Bit	7	6	5	4	3	2	1	0
Name	GFO	DUR						

Name	Description	Value	Meaning	Ref.
DUR	glitch width	b'0000000 ~ b'1111111	minimum pulse width = DUR + 20 ns reset default = 15 * 10 ns (DUR default = <b>b'0001111</b> )	
GFO	Glitch filter enable/disable	b'0	Glitch filter on	
		b'1	Bypass	

**Reserved Address 0x67**

**Addr 0x68: PWM Phase Control**

Bit	7	6	5	4	3	2	1	0
Name	PPC				PFC			

Name	Description	Value	Meaning	Ref.
PFC	PWM phase Fine Control	b'0000 ~ b'1001	Range is 0°~14.94° with 1.66° step	In Single ended mode, fixed as PFC = b'0000, and PPC = b'0110 (90°)
PPC	PWM Phase Control	b'0000 ~ b'1100	Range is 0°~180° with 15° step. default = <b>b'0110</b> (90°)	

**Reserved Address 0x69 ~ 0x6D**

**Addr 0x6E Watch Dog Error System Status (read only)**

Bit	7	6	5	4	3	2	1	0
Name	X	X	X	X	MEF	IWK	IBK	WDE

Name	Description	Value	Meaning	Ref.
WDE	Watch Dog Ratio Error	b'0		
		b'1	Watch Dog Error	
IBK	IIS BCK Ratio Error	b'0		
		b'1	IIS BCK Ratio Error	
IWK	IIS WCK Ratio Error	b'0		
		b'1	IIS WCK Ratio Error	
MEF	Modulation Index Error Flag	b'0		
		b'1	Modulation Index Error	

**Addr 0x6F: PWM\_MASK Control 5**

Bit	7	6	5	4	3	2	1	0
Name	VMSK3	VMSK2	VMSK1	VMSK0	PMSK3	PMSK2	PMSK1	PMSK0

Name	Description	Value	Meaning	Ref.
PMSKn	Masking bit of PWM off control	b'0	Mask bit indicating the validity of n-th bit of Addr 0x6E system register: If the n-th bit of this register is zero, the n-th bit of Addr 0x6E system register is invalid. The n-th bit of Addr 0x6E is valid only when the n-th mask bit is one.	
		b'1		
VMSKn	Masking bit of PWM_MASK signal	b'0		
		b'1		

**Addr 0x70: System Status Register (0x6E, 0x75) Holding Control 1**

Bit	7	6	5	4	3	2	1	0
Name	HIWK	HIBK	HWDE	X	HMEF	HMPW	HULCK	X

Name	Description	Value	Meaning	Ref.
HULCK	Enable bit of Holding the ULCK status	b'0	Update the new value without holding the ULCK status bit of 0x75	
		b'1	Hold the first different value	
HMPW	Enable bit of Holding the MPW status	b'0	Update the new value without holding the MPW status bit of 0x75	
		b'1	Hold the first different value	
HMEF	Enable bit of Holding the MEF status	b'0	Update the new value without holding the MEF status bit of 0x6E	
		b'1	Hold the first different value	
HWDE	Enable bit of Holding the WDE status	b'0	Update the new value without holding the WDE status bit of 0x6E	
		b'1	Hold the first different value	
HIBK	Enable bit of Holding the IBK status	b'0	Update the new value without holding the IBK status bit of 0x6E	
		b'1	Hold the first different value	
HIWK	Enable bit of Holding the IWK status	b'0	Update the new value without holding the IWK status bit of 0x6E	
		b'1	Hold the first different value	

**Addr 0x71: POP Control 0**

Bit	7	6	5	4	3	2	1	0
Name	RST							

Name	Description	Value	Meaning	Ref.
RST	Release Time	unsigned 0x10	WDE becomes 0 if Watch Dog detects no error during RST*10msec after WDE has been occurred.	

**Addr 0x72: POP Control 1**

Bit	7	6	5	4	3	2	1	0
Name	ULM[15:8]							

Name	Description	Value	Meaning	Ref.
ULM		unsigned 0x00	Upper limit on ratio of BCK to CLK_FR_4	

**Addr 0x73: POP Control 2**

Bit	7	6	5	4	3	2	1	0
Name	ULM[7:0]							

Name	Description	Value	Meaning	Ref.
ULM	Upper Limit	unsigned 0x20	Upper limit on ratio of BCK to CLK_FR_4	

**Addr 0x74: POP Control 3**

Bit	7	6	5	4	3	2	1	0
Name	LLM[3:0]			0	0	0	0	WON

Name	Description	Value	Meaning	Ref.
LLM	Lower Limit	<b>unsigned b'1001</b>	Lower limit on ratio of BCK to CLK_FR_4	
WON	Watch-dog On	b'0	OFF	
		b'1	ON	

**Addr 0x75: System Error Status (read only)**

Bit	7	6	5	4	3	2	1	0
Name	FSI	PSB	PDM	MPW	ULCK	PPM		

Name	Description	Value	Meaning	Ref.
PPM	Permanent PWMMASK Indication flag	b'0		
		b'1	Indicated that PWM_MASK is in Permanent LOW state	
ULCK	Sampled PLL Unlock error	b'0	PLL is locked state.	
		b'1	PLL is unlocked state.	
MPW	MCK/WCK Ratio error	b'0	Ratio is incorrect.	
		b'1	Ratio is correct.	
PDM	Power Die Monitor (Temperature, Current, Voltage, Protection Error)	b'00	Current protection error	
		b'01	Voltage protection error	
		b'10	Temperature protection error	
		b'11	Normal state	
PSB	PWM switching on/off State Bit	b'0	PWM switching off state	
		b'1	PWM switching on state	
FSI	Sampling Frequency Information	b'00	48 kHz (44.1kHz)	
		b'01	96 kHz	
		b'10	32 kHz	

**Addr 0x76: Monitor**

Bit	7	6	5	4	3	2	1	0
Name	X	X	X	X	Monitor1			

Name	Description	Value	Meaning	Ref.
Monitor 1	This output doesn't come through Power Device.	b'0000	Reserved	
		<b>b'0001</b>	Pwm1a=> Monitor 1 pin	
		b'0010	Pwm1b => Monitor 1 pin	
		b'0011	pwm2a => Monitor 1 pin	
		b'0100	Pwm2b => Monitor 1 pin	
		b'1111	SDATA out => Monitor 1 pin	

**Reserved Address 0x77 ~ 0x7B**

**Addr 0x7C: IIS Sdata\_Out Control**

Bit	7	6	5	4	3	2	1	0
Name	X	X	X	X	X	X	X	OUT_SEL

Name	Description	Value	Meaning	Ref.
OUT_SEL	Select data for IIS OUT	b'0	Data after soft mute stage is selected	
		b'1	Data before EQ stage is selected	

**Reserved Address 0x7D**

**Addr 0x7E: Bi-Quad Filter Coefficient Page**

Bit	7	6	5	4	3	2	1	0
Name	X	X	X	X	APEQ_P	X	CH2	CH1

Name	Description	Value	Meaning	Ref.
CH1	Coefficient write enable	b'0	Disable coefficient write for ch1	
		b'1	Enable coefficient write for ch1	
CH2	Coefficient write enable	b'0	Disable coefficient write for ch2	
		b'1	Enable coefficient write for ch2	
APEQ_P	Coefficient write enable for APEQ Parameters	b'0	Disable coefficient write for APEQ Para.	
		b'1	Enable coefficient write for APEQ Para.	

Note : When writing into BQ1~BQ6 coefficients, Should write for both ch1 and ch2 separately.  
 When writing into BQ7~BQ16 coefficients, Just write for ch1.  
 (BQ7~BQ16 coefficients are same for both CH1 and CH2)  
 When writing into APEQ Parameters, Just write for APEQ\_P.

**Coefficient Mode:**

0x00 ~ 0x31: BQ1 ~BQ10
0x32 ~ 0x4F: QMF_BQ1 ~ 6
0x50 ~ 0x52: Loudness filter gain 1 ~ 3
0x53 ~ 0x57 : Reserved
0x58 : Power Meter Gain
0x59 : Reserved
0x5A : BQ Checksum
0x5B : DRC Checksum
0x5C ~ 0x79: BQ11 ~ BQ16
0x00 ~ 0x24: APEQ Parameters



**B. Configuration Register Value Reference**

**Table 166. Master Volume**

Index	dB	Index	dB	Index	dB	Index	dB	Index	dB	Index	dB
0xFF	0.0	0xD4	-21.5	0xA9	-43.0	0x7E	-64.5	0x53	-86.0	0x28	-107.5
0xFE	-0.5	0xD3	-22.0	0xA8	-43.5	0x7D	-65.0	0x52	-86.5	0x27	-108.0
0xFD	-1.0	0xD2	-22.5	0xA7	-44.0	0x7C	-65.5	0x51	-87.0	0x26	-108.5
0xFC	-1.5	0xD1	-23.0	0xA6	-44.5	0x7B	-66.0	0x50	-87.5	0x25	-109.0
0xFB	-2.0	0xD0	-23.5	0xA5	-45.0	0x7A	-66.5	0x4F	-88.0	0x24	-109.5
0xFA	-2.5	0xCF	-24.0	0xA4	-45.5	0x79	-67.0	0x4E	-88.5	0x23	-110.0
0xF9	-3.0	0xCE	-24.5	0xA3	-46.0	0x78	-67.5	0x4D	-89.0	0x22	-110.5
0xF8	-3.5	0xCD	-25.0	0xA2	-46.5	0x77	-68.0	0x4C	-89.5	0x21	-111.0
0xF7	-4.0	0xCC	-25.5	0xA1	-47.0	0x76	-68.5	0x4B	-90.0	0x20	-111.5
0xF6	-4.5	0xCB	-26.0	0xA0	-47.5	0x75	-69.0	0x4A	-90.5	0x1F	-112.0
0xF5	-5.0	0xCA	-26.5	0x9F	-48.0	0x74	-69.5	0x49	-91.0	0x1E	-112.5
0xF4	-5.5	0xC9	-27.0	0x9E	-48.5	0x73	-70.0	0x48	-91.5	0x1D	-113.0
0xF3	-6.0	0xC8	-27.5	0x9D	-49.0	0x72	-70.5	0x47	-92.0	0x1C	-113.5
0xF2	-6.5	0xC7	-28.0	0x9C	-49.5	0x71	-71.0	0x46	-92.5	0x1B	-114.0
0xF1	-7.0	0xC6	-28.5	0x9B	-50.0	0x70	-71.5	0x45	-93.0	0x1A	-114.5
0xF0	-7.5	0xC5	-29.0	0x9A	-50.5	0x6F	-72.0	0x44	-93.5	0x19	-115.0
0xEF	-8.0	0xC4	-29.5	0x99	-51.0	0x6E	-72.5	0x43	-94.0	0x18	-115.5
0xEE	-8.5	0xC3	-30.0	0x98	-51.5	0x6D	-73.0	0x42	-94.5	0x17	-116.0
0xED	-9.0	0xC2	-30.5	0x97	-52.0	0x6C	-73.5	0x41	-95.0	0x16	-116.5
0xEC	-9.5	0xC1	-31.0	0x96	-52.5	0x6B	-74.0	0x40	-95.5	0x15	-117.0
0xEB	-10.0	0xC0	-31.5	0x95	-53.0	0x6A	-74.5	0x3F	-96.0	0x14	-117.5
0xEA	-10.5	0xBF	-32.0	0x94	-53.5	0x69	-75.0	0x3E	-96.5	0x13	-118.0
0xE9	-11.0	0xBE	-32.5	0x93	-54.0	0x68	-75.5	0x3D	-97.0	0x12	-118.5
0xE8	-11.5	0xBD	-33.0	0x92	-54.5	0x67	-76.0	0x3C	-97.5	0x11	-119.0
0xE7	-12.0	0xBC	-33.5	0x91	-55.0	0x66	-76.5	0x3B	-98.0	0x10	-119.5
0xE6	-12.5	0xBB	-34.0	0x90	-55.5	0x65	-77.0	0x3A	-98.5	0x0F	-120.0
0xE5	-13.0	0xBA	-34.5	0x8F	-56.0	0x64	-77.5	0x39	-99.0	0x0E	-120.5
0xE4	-13.5	0xB9	-35.0	0x8E	-56.5	0x63	-78.0	0x38	-99.5	0x0D	-121.0
0xE3	-14.0	0xB8	-35.5	0x8D	-57.0	0x62	-78.5	0x37	-100.0	0x0C	-121.5
0xE2	-14.5	0xB7	-36.0	0x8C	-57.5	0x61	-79.0	0x36	-100.5	0x0B	-122.0
0xE1	-15.0	0xB6	-36.5	0x8B	-58.0	0x60	-79.5	0x35	-101.0	0x0A	-122.5
0xE0	-15.5	0xB5	-37.0	0x8A	-58.5	0x5F	-80.0	0x34	-101.5	0x09	-123.0
0xDF	-16.0	0xB4	-37.5	0x89	-59.0	0x5E	-80.5	0x33	-102.0	0x08	-123.5
0xDE	-16.5	0xB3	-38.0	0x88	-59.5	0x5D	-81.0	0x32	-102.5	0x07	-124.0
0xDD	-17.0	0xB2	-38.5	0x87	-60.0	0x5C	-81.5	0x31	-103.0	0x06	-124.5
0xDC	-17.5	0xB1	-39.0	0x86	-60.5	0x5B	-82.0	0x30	-103.5	0x05	-125.0
0xDB	-18.0	0xB0	-39.5	0x85	-61.0	0x5A	-82.5	0x2F	-104.0	0x04	-125.5
0xDA	-18.5	0xAF	-40.0	0x84	-61.5	0x59	-83.0	0x2E	-104.5	0x03	NA
0xD9	-19.0	0xAE	-40.5	0x83	-62.0	0x58	-83.5	0x2D	-105.0	0x02	NA
0xD8	-19.5	0xAD	-41.0	0x82	-62.5	0x57	-84.0	0x2C	-105.5	0x01	NA
0xD7	-20.0	0xAC	-41.5	0x81	-63.0	0x56	-84.5	0x2B	-106.0	0x00	NA
0xD6	-20.5	0xAB	-42.0	0x80	-63.5	0x55	-85.0	0x2A	-106.5		
0xD5	-21.0	0xAA	-42.5	0x7F	-64.0	0x54	-85.5	0x29	-107.0		

Table 17. Channel Volume

Index	dB	Index	dB	Index	dB	Index	dB	Index	dB	Index	dB
0xFF	48.0	0xD4	26.5	0xA9	5.0	0x7E	-16.5	0x53	-38.0	0x28	-59.5
0xFE	47.5	0xD3	26.0	0xA8	4.5	0x7D	-17.0	0x52	-38.5	0x27	-60.0
0xFD	47.0	0xD2	25.5	0xA7	4.0	0x7C	-17.5	0x51	-39.0	0x26	-60.5
0xFC	46.5	0xD1	25.0	0xA6	3.5	0x7B	-18.0	0x50	-39.5	0x25	-61.0
0xFB	46.0	0xD0	24.5	0xA5	3.0	0x7A	-18.5	0x4F	-40.0	0x24	-61.5
0xFA	45.5	0xCF	24.0	0xA4	2.5	0x79	-19.0	0x4E	-40.5	0x23	-62.0
0xF9	45.0	0xCE	23.5	0xA3	2.0	0x78	-19.5	0x4D	-41.0	0x22	-62.5
0xF8	44.5	0xCD	23.0	0xA2	1.5	0x77	-20.0	0x4C	-41.5	0x21	-63.0
0xF7	44.0	0xCC	22.5	0xA1	1.0	0x76	-20.5	0x4B	-42.0	0x20	-63.5
0xF6	43.5	0xCB	22.0	0xA0	0.5	0x75	-21.0	0x4A	-42.5	0x1F	-64.0
0xF5	43.0	0xCA	21.5	0x9F	0.0	0x74	-21.5	0x49	-43.0	0x1E	-64.5
0xF4	42.5	0xC9	21.0	0x9E	-0.5	0x73	-22.0	0x48	-43.5	0x1D	-65.0
0xF3	42.0	0xC8	20.5	0x9D	-1.0	0x72	-22.5	0x47	-44.0	0x1C	-65.5
0xF2	41.5	0xC7	20.0	0x9C	-1.5	0x71	-23.0	0x46	-44.5	0x1B	-66.0
0xF1	41.0	0xC6	19.5	0x9B	-2.0	0x70	-23.5	0x45	-45.0	0x1A	-66.5
0xF0	40.5	0xC5	19.0	0x9A	-2.5	0x6F	-24.0	0x44	-45.5	0x19	-67.0
0xEF	40.0	0xC4	18.5	0x99	-3.0	0x6E	-24.5	0x43	-46.0	0x18	-67.5
0xEE	39.5	0xC3	18.0	0x98	-3.5	0x6D	-25.0	0x42	-46.5	0x17	-68.0
0xED	39.0	0xC2	17.5	0x97	-4.0	0x6C	-25.5	0x41	-47.0	0x16	-68.5
0xEC	38.5	0xC1	17.0	0x96	-4.5	0x6B	-26.0	0x40	-47.5	0x15	-69.0
0xEB	38.0	0xC0	16.5	0x95	-5.0	0x6A	-26.5	0x3F	-48.0	0x14	-69.5
0xEA	37.5	0xBF	16.0	0x94	-5.5	0x69	-27.0	0x3E	-48.5	0x13	-70.0
0xE9	37.0	0xBE	15.5	0x93	-6.0	0x68	-27.5	0x3D	-49.0	0x12	-70.5
0xE8	36.5	0xBD	15.0	0x92	-6.5	0x67	-28.0	0x3C	-49.5	0x11	-71.0
0xE7	36.0	0xBC	14.5	0x91	-7.0	0x66	-28.5	0x3B	-50.0	0x10	-71.5
0xE6	35.5	0xBB	14.0	0x90	-7.5	0x65	-29.0	0x3A	-50.5	0x0F	-72.0
0xE5	35.0	0xBA	13.5	0x8F	-8.0	0x64	-29.5	0x39	-51.0	0x0E	-72.5
0xE4	34.5	0xB9	13.0	0x8E	-8.5	0x63	-30.0	0x38	-51.5	0x0D	-73.0
0xE3	34.0	0xB8	12.5	0x8D	-9.0	0x62	-30.5	0x37	-52.0	0x0C	-73.5
0xE2	33.5	0xB7	12.0	0x8C	-9.5	0x61	-31.0	0x36	-52.5	0x0B	-74.0
0xE1	33.0	0xB6	11.5	0x8B	-10.0	0x60	-31.5	0x35	-53.0	0x0A	-74.5
0xE0	32.5	0xB5	11.0	0x8A	-10.5	0x5F	-32.0	0x34	-53.5	0x09	-75.0
0xDF	32.0	0xB4	10.5	0x89	-11.0	0x5E	-32.5	0x33	-54.0	0x08	-75.5
0xDE	31.5	0xB3	10.0	0x88	-11.5	0x5D	-33.0	0x32	-54.5	0x07	-76.0
0xDD	31.0	0xB2	9.5	0x87	-12.0	0x5C	-33.5	0x31	-55.0	0x06	-76.5
0xDC	30.5	0xB1	9.0	0x86	-12.5	0x5B	-34.0	0x30	-55.5	0x05	-77.0
0xDB	30.0	0xB0	8.5	0x85	-13.0	0x5A	-34.5	0x2F	-56.0	0x04	-77.5
0xDA	29.5	0xAF	8.0	0x84	-13.5	0x59	-35.0	0x2E	-56.5	0x03	-78.0
0xD9	29.0	0xAE	7.5	0x83	-14.0	0x58	-35.5	0x2D	-57.0	0x02	-78.5
0xD8	28.5	0xAD	7.0	0x82	-14.5	0x57	-36.0	0x2C	-57.5	0x01	-79.0
0xD7	28.0	0xAC	6.5	0x81	-15.0	0x56	-36.5	0x2B	-58.0	0x00	-295.0
0xD6	27.5	0xAB	6.0	0x80	-15.5	0x55	-37.0	0x2A	-58.5		
0xD5	27.0	0xAA	5.5	0x7F	-16.0	0x54	-37.5	0x29	-59.0		

Table 178. Mixer Gain & Polarity

Index	Polarity	dB	Index	Polarity	dB	Index	Polarity	dB	Index	Polarity	dB
7E	+	18	7D	-	18	3E	+	-4	3D	-	-4
7C	+	17	7B	-	17	3C	+	-4.5	3B	-	-4.5
7A	+	16	79	-	16	3A	+	-5	39	-	-5
78	+	15	77	-	15	38	+	-5.5	37	-	-5.5
76	+	14	75	-	14	36	+	-6	35	-	-6
74	+	13	73	-	13	34	+	-7	33	-	-7
72	+	12	71	-	12	32	+	-8	31	-	-8
70	+	11	6F	-	11	30	+	-9	2F	-	-9
6E	+	10	6D	-	10	2E	+	-10	2D	-	-10
6C	+	9	6B	-	9	2C	+	-11	2B	-	-11
6A	+	8	69	-	8	2A	+	-12	29	-	-12
68	+	7	67	-	7	28	+	-13	27	-	-13
66	+	6	65	-	6	26	+	-14	25	-	-14
64	+	5.5	63	-	5.5	24	+	-15	23	-	-15
62	+	5	61	-	5	22	+	-16	21	-	-16
60	+	4.5	5F	-	4.5	20	+	-17	1F	-	-17
5E	+	4	5D	-	4	1E	+	-18	1D	-	-18
5C	+	3.5	5B	-	3.5	1C	+	-19	1B	-	-19
5A	+	3	59	-	3	1A	+	-20	19	-	-20
58	+	2.5	57	-	2.5	18	+	-21	17	-	-21
56	+	2	55	-	2	16	+	-22	15	-	-22
54	+	1.5	53	-	1.5	14	+	-23	13	-	-23
52	+	1	51	-	1	12	+	-24	11	-	-24
50	+	0.5	4F	-	0.5	10	+	-25	0F	-	-25
4E	+	0	4D	-	0	0E	+	-26	0D	-	-26
4C	+	-0.5	4B	-	-0.5	0C	+	-27	0B	-	-27
4A	+	-1	49	-	-1	0A	+	-28	09	-	-28
48	+	-1.5	47	-	-1.5	08	+	-29	07	-	-29
46	+	-2	45	-	-2	06	+	-30	05	-	-30
44	+	-2.5	43	-	-2.5	04	+	-31	03	-	-31
42	+	-3	41	-	-3	02	+	-32	01	-	-32
40	+	-3.5	3F	-	-3.5	00	+	-150			

**Table 189. Dynamic Range Control Threshold**

dB	Value	dB	Value	dB	Value	dB	Value
-57	FF	-5.5	DF	-2.3	BF	0.9	9F
-54	FE	-5.4	DE	-2.2	BE	1	9E
-51	FD	-5.3	DD	-2.1	BD	1.25	9D
-48	FC	-5.2	DC	-2	BC	1.5	9C
-45	FB	-5.1	DB	-1.9	BB	1.75	9B
-42	FA	-5	DA	-1.8	BA	2	9A
-39	F9	-4.9	D9	-1.7	B9	2.25	99
-36	F8	-4.8	D8	-1.6	B8	2.5	98
-33	F7	-4.7	D7	-1.5	B7	2.75	97
-30	F6	-4.6	D6	-1.4	B6	3	96
-27	F5	-4.5	D5	-1.3	B5	3.25	95
-24	F4	-4.4	D4	-1.2	B4	3.5	94
-21	F3	-4.3	D3	-1.1	B3	3.75	93
-18	F2	-4.2	D2	-1	B2	4	92
-15	F1	-4.1	D1	-0.9	B1	4.25	91
-12	F0	-4	D0	-0.8	B0	4.5	90
-11.5	EF	-3.9	CF	-0.7	AF	4.75	8F
-11	EE	-3.8	CE	-0.6	AE	5	8E
-10.5	ED	-3.7	CD	-0.5	AD	5.5	8D
-10	EC	-3.6	CC	-0.4	AC	6	8C
-9.5	EB	-3.5	CB	-0.3	AB	6.5	8B
-9	EA	-3.4	CA	-0.2	AA	7	8A
-8.5	E9	-3.3	C9	-0.1	A9	7.5	89
-8	E8	-3.2	C8	0	A8	8	88
-7.5	E7	-3.1	C7	0.1	A7	8.5	87
-7	E6	-3	C6	0.2	A6	9	86
-6.5	E5	-2.9	C5	0.3	A5	9.5	85
-6	E4	-2.8	C4	0.4	A4	10	84
-5.9	E3	-2.7	C3	0.5	A3	10.5	83
-5.8	E2	-2.6	C2	0.6	A2	11	82
-5.7	E1	-2.5	C1	0.7	A1	11.5	81
-5.6	E0	-2.4	C0	0.8	A0	12	80

※ CPR bit(MSB) = 1

**Table 20. Auto Mute Detection Threshold Table**

Name	Description	Value	dB
AT	Auto-mute Detection threshold	0000	-126
		0001	-120
		0010	-114
		0011	-108
		0100	-102
		0101	-96
		0110	-90
		0111	-84
		1000	-78
		1001	-72
		1010	-66
		1011	-60
		1100	-54
		1101	-48
		1110	-42
		<b>1111</b>	<b>Auto-mute</b>

※ Do not use value 1111.

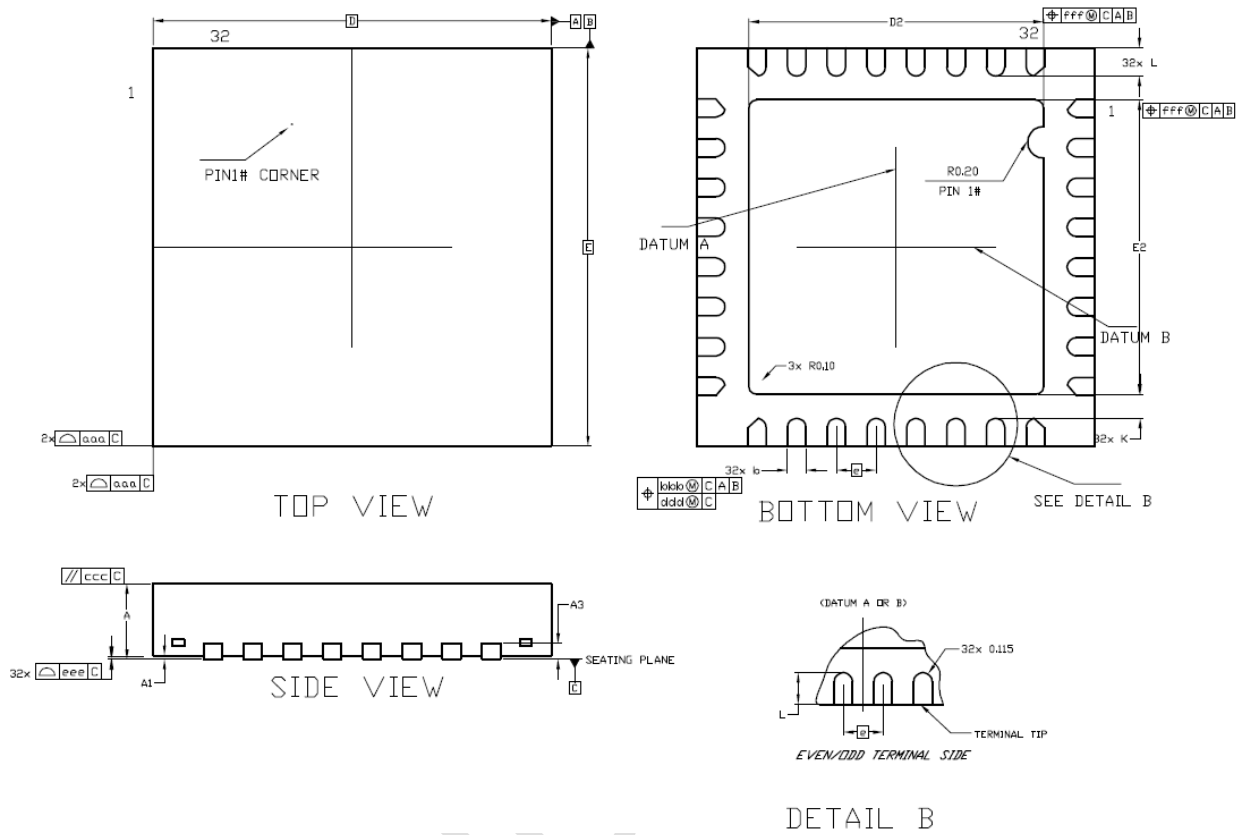
CONFIDENTIAL

Table 191. Power Meter Reading Table

addr 0x54 (Decimal)	addr 0x54 (Hex)	dB	addr 0x54 (Decimal)	addr 0x54 (Hex)	dB	addr 0x54 (Decimal)	addr 0x54 (Hex)	dB	addr 0x54 (Decimal)	addr 0x54 (Hex)	dB
0	0x00	-0.0	64	0x40	-32.0	128	0x80	-64.0	192	0xC0	-96.0
1	0x01	-0.5	65	0x41	-32.5	129	0x81	-64.5	193	0xC1	-96.5
2	0x02	-1.0	66	0x42	-33.0	130	0x82	-65.0	194	0xC2	-97.0
3	0x03	-1.5	67	0x43	-33.5	131	0x83	-65.5	195	0xC3	-97.5
4	0x04	-2.0	68	0x44	-34.0	132	0x84	-66.0	196	0xC4	-98.0
5	0x05	-2.5	69	0x45	-34.5	133	0x85	-66.5	197	0xC5	-98.5
6	0x06	-3.0	70	0x46	-35.0	134	0x86	-67.0	198	0xC6	-99.0
7	0x07	-3.5	71	0x47	-35.5	135	0x87	-67.5	199	0xC7	-99.5
8	0x08	-4.0	72	0x48	-36.0	136	0x88	-68.0	200	0xC8	-100.0
9	0x09	-4.5	73	0x49	-36.5	137	0x89	-68.5	201	0xC9	-100.5
10	0x0A	-5.0	74	0x4A	-37.0	138	0x8A	-69.0	202	0xCA	-101.0
11	0x0B	-5.5	75	0x4B	-37.5	139	0x8B	-69.5	203	0xCB	-101.5
12	0x0C	-6.0	76	0x4C	-38.0	140	0x8C	-70.0	204	0xCC	-102.0
13	0x0D	-6.5	77	0x4D	-38.5	141	0x8D	-70.5	205	0xCD	-102.5
14	0x0E	-7.0	78	0x4E	-39.0	142	0x8E	-71.0	206	0xCE	-103.0
15	0x0F	-7.5	79	0x4F	-39.5	143	0x8F	-71.5	207	0xCF	-103.5
16	0x10	-8.0	80	0x50	-40.0	144	0x90	-72.0	208	0xD0	-104.0
17	0x11	-8.5	81	0x51	-40.5	145	0x91	-72.5	209	0xD1	-104.5
18	0x12	-9.0	82	0x52	-41.0	146	0x92	-73.0	210	0xD2	-105.0
19	0x13	-9.5	83	0x53	-41.5	147	0x93	-73.5	211	0xD3	-105.5
20	0x14	-10.0	84	0x54	-42.0	148	0x94	-74.0	212	0xD4	-106.0
21	0x15	-10.5	85	0x55	-42.5	149	0x95	-74.5	213	0xD5	-106.5
22	0x16	-11.0	86	0x56	-43.0	150	0x96	-75.0	214	0xD6	-107.0
23	0x17	-11.5	87	0x57	-43.5	151	0x97	-75.5	215	0xD7	-107.5
24	0x18	-12.0	88	0x58	-44.0	152	0x98	-76.0	216	0xD8	-108.0
25	0x19	-12.5	89	0x59	-44.5	153	0x99	-76.5	217	0xD9	-108.5
26	0x1A	-13.0	90	0x5A	-45.0	154	0x9A	-77.0	218	0xDA	-109.0
27	0x1B	-13.5	91	0x5B	-45.5	155	0x9B	-77.5	219	0xDB	-109.5
28	0x1C	-14.0	92	0x5C	-46.0	156	0x9C	-78.0	220	0xDC	-110.0
29	0x1D	-14.5	93	0x5D	-46.5	157	0x9D	-78.5	221	0xDD	-110.5
30	0x1E	-15.0	94	0x5E	-47.0	158	0x9E	-79.0	222	0xDE	-111.0
31	0x1F	-15.5	95	0x5F	-47.5	159	0x9F	-79.5	223	0xDF	-111.5
32	0x20	-16.0	96	0x60	-48.0	160	0xA0	-80.0	224	0xE0	-112.0
33	0x21	-16.5	97	0x61	-48.5	161	0xA1	-80.5	225	0xE1	-112.5
34	0x22	-17.0	98	0x62	-49.0	162	0xA2	-81.0	226	0xE2	-113.0
35	0x23	-17.5	99	0x63	-49.5	163	0xA3	-81.5	227	0xE3	-113.5
36	0x24	-18.0	100	0x64	-50.0	164	0xA4	-82.0	228	0xE4	-114.0
37	0x25	-18.5	101	0x65	-50.5	165	0xA5	-82.5	229	0xE5	-114.5
38	0x26	-19.0	102	0x66	-51.0	166	0xA6	-83.0	230	0xE6	-115.0
39	0x27	-19.5	103	0x67	-51.5	167	0xA7	-83.5	231	0xE7	-115.5
40	0x28	-20.0	104	0x68	-52.0	168	0xA8	-84.0	232	0xE8	-116.0
41	0x29	-20.5	105	0x69	-52.5	169	0xA9	-84.5	233	0xE9	-116.5
42	0x2A	-21.0	106	0x6A	-53.0	170	0xAA	-85.0	234	0xEA	-117.0
43	0x2B	-21.5	107	0x6B	-53.5	171	0xAB	-85.5	235	0xEB	-117.5
44	0x2C	-22.0	108	0x6C	-54.0	172	0xAC	-86.0	236	0xEC	-118.0
45	0x2D	-22.5	109	0x6D	-54.5	173	0xAD	-86.5	237	0xED	-118.5
46	0x2E	-23.0	110	0x6E	-55.0	174	0xAE	-87.0	238	0xEE	-119.0
47	0x2F	-23.5	111	0x6F	-55.5	175	0xAF	-87.5	239	0xEF	-119.5
48	0x30	-24.0	112	0x70	-56.0	176	0xB0	-88.0	240	0xF0	-120.0
49	0x31	-24.5	113	0x71	-56.5	177	0xB1	-88.5	241	0xF1	-120.5
50	0x32	-25.0	114	0x72	-57.0	178	0xB2	-89.0	242	0xF2	-121.0
51	0x33	-25.5	115	0x73	-57.5	179	0xB3	-89.5	243	0xF3	-121.5
52	0x34	-26.0	116	0x74	-58.0	180	0xB4	-90.0	244	0xF4	-122.0
53	0x35	-26.5	117	0x75	-58.5	181	0xB5	-90.5	245	0xF5	-122.5
54	0x36	-27.0	118	0x76	-59.0	182	0xB6	-91.0	246	0xF6	-123.0
55	0x37	-27.5	119	0x77	-59.5	183	0xB7	-91.5	247	0xF7	-123.5
56	0x38	-28.0	120	0x78	-60.0	184	0xB8	-92.0	248	0xF8	-124.0
57	0x39	-28.5	121	0x79	-60.5	185	0xB9	-92.5	249	0xF9	-124.5
58	0x3A	-29.0	122	0x7A	-61.0	186	0xBA	-93.0	250	0xFA	-125.0
59	0x3B	-29.5	123	0x7B	-61.5	187	0xBB	-93.5	251	0xFB	-125.5
60	0x3C	-30.0	124	0x7C	-62.0	188	0xBC	-94.0	252	0xFC	-126.0
61	0x3D	-30.5	125	0x7D	-62.5	189	0xBD	-94.5	253	0xFD	-126.5
62	0x3E	-31.0	126	0x7E	-63.0	190	0xBE	-95.0	254	0xFE	-127.0
63	0x3F	-31.5	127	0x7F	-63.5	191	0xBF	-95.5	255	0xFF	-127.5 under

※ Output 8bit value : (-dB \* 2), n dB = output 8bit \*0.5

### C. Package Outline



**NOTES:**

1. DIMENSIONING AND TOLERANCING CONFIRM TO ASME Y14.5M-1994
2. ALL DIMENSIONS ARE IN MILLIMETERS, ANGLES ARE IN DEGREE.
3. UNILATERAL COPLANARITY ZONE APPLIES TO THE EXPOSED HEAT SINK SLUG AS WELL AS THE TERMINALS
4. DIMENSION *b* APPLIES TO METALLIZED TERMINAL AND IS MEASURED BETWEEN 0.150mm TO 0.30mm FROM THE TERMINAL TIP. DIMENSION *b* SHOULD NOT BE MEASURED IN RADIUS AREA.
5. ALL SPEC TAKE JEDEC MO-220 FOR REFERENCE.

DIM SYMBOL	MIN.	NOM.	MAX.
A	0.70	0.75	0.80
A1	0.85	0.90	0.95
A3	0	0.02	0.05
b	-	0.20 REF	-
D	0.18	0.23	0.28
E	5.00BSC		
D2	3.55	3.65	3.75
E2	3.55	3.65	3.75
e	0.50BSC		
L	0.30	0.35	0.40
K	0.20	-	-
aaa	0.15		
bbb	0.10		
ccc	0.10		
ddd	0.05		
eee	0.08		
fff	0.10		