

Service Manual

General Description

Adjustment Procedures

Block / Schematic Diagrams

Exploded Views / Parts List

Video Cassette Recorder

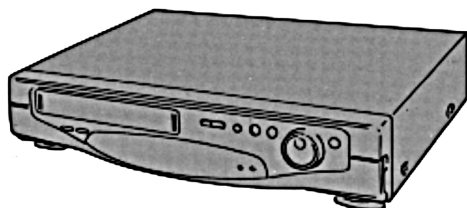
Panasonic **VHS**
PAL NTSC

Hi-Fi HQ

NV-HD650^{EE/AM}_{BD}

NV-HD655AM

K-MECHANISM



SPECIFICATIONS / ТЕХНИЧЕСКИЕ ХАРАКТЕРИСТИКИ
ОБЩИЕ ОПИСАНИЯ

СЕРВИСНАЯ ИНФОРМАЦИЯ
ИНДИКАЦИОННЫЙ ДИСПЛЕЙ САМОТЕСТИРОВАНИЯ
ДИСПЛЕЙ СЕРВИСНОЙ ИНФОРМАЦИИ

МЕТОДИКА РЕГУЛИРОВКИ

МЕТОД РАЗБОРКИ
МЕТОДИКА МЕХАНИЧЕСКОЙ РЕГУЛИРОВКИ
МЕТОДИКА РАЗБОРКИ МЕХАНИЗМА
МЕТОДИКА СБОРКИ МЕХАНИЗМА
МЕТОДИКА ЭЛЕКТРИЧЕСКОЙ РЕГУЛИРОВКИ

BLOCK DIAGRAMS / БЛОК-СХЕМЫ

NICAM DECODER BLOCK DIAGRAM / БЛОК-СХЕМА МОДУЛЯ ДЕКОДИРОВАНИЯ NICAM-СИГНАЛА
SYSTEM CONTROL & SERVO BLOCK DIAGRAM / БЛОК-СХЕМА СИСТЕМЫ УПРАВЛЕНИЯ И СЕРВОПРИВОДА
LUMINANCE & CHROMINANCE BLOCK DIAGRAM (NV-HD650EE) / БЛОК-СХЕМА КАНАЛОВ ЯРКОСТИ И ЦВЕТА (NV-HD650EE)
LUMINANCE & CHROMINANCE BLOCK DIAGRAM (NV-HD650AM/BD, NV-HD655AM) / БЛОК-СХЕМА КАНАЛОВ ЯРКОСТИ И ЦВЕТА (NV-HD650AM/BD, NV-HD655AM)
Hi-Fi AUDIO BLOCK DIAGRAM (NV-HD650EE) / БЛОК-СХЕМА ОБРАБОТКИ АУДИО-СИГНАЛА (NV-HD650EE)
Hi-Fi AUDIO BLOCK DIAGRAM (NV-HD650AM/BD, NV-HD655AM) / БЛОК-СХЕМА ОБРАБОТКИ АУДИО-СИГНАЛА (NV-HD650AM/BD, NV-HD655AM)

SCHEMATIC DIAGRAMS / ПРИНЦИПИАЛЬНЫЕ СХЕМЫ

POWER SUPPLY SECTION IN MAIN SCHEMATIC DIAGRAM (NV-HD650EE) / ПРИНЦИПИАЛЬНАЯ СХЕМА (ОСНОВНАЯ) БЛОКА ПИТАНИЯ (NV-HD650EE)
POWER SUPPLY SECTION IN MAIN SCHEMATIC DIAGRAM (NV-HD650AM/BD, NV-HD655AM) / ПРИНЦИПИАЛЬНАЯ СХЕМА (ОСНОВНАЯ) БЛОКА ПИТАНИЯ (NV-HD650AM/BD, NV-HD655AM)
LUMINANCE/CHROMINANCE & AUDIO SECTION IN MAIN SCHEMATIC DIAGRAM (NV-HD650EE) / ПРИНЦИПИАЛЬНАЯ СХЕМА (ОСНОВНАЯ) КАНАЛОВ ЯРКОСТИ И ЦВЕТА И ОБРАБОТКИ АУДИОСИГНАЛА (NV-HD650EE)
LUMINANCE/CHROMINANCE & AUDIO SECTION IN MAIN SCHEMATIC DIAGRAM (NV-HD650AM/BD, NV-HD655AM) / ПРИНЦИПИАЛЬНАЯ СХЕМА (ОСНОВНАЯ) КАНАЛОВ ЯРКОСТИ И ЦВЕТА И ОБРАБОТКИ АУДИОСИГНАЛА (NV-HD650AM/BD, NV-HD655AM)
RF SECTION IN MAIN SCHEMATIC DIAGRAM / ПРИНЦИПИАЛЬНАЯ СХЕМА (ОСНОВНАЯ) ВЫСОКОЧАСТОТНОГО БЛОКА
SYSTEM CONTROL & SERVO SECTION IN MAIN SCHEMATIC DIAGRAM / ПРИНЦИПИАЛЬНАЯ СХЕМА (ОСНОВНАЯ) СИСТЕМЫ УПРАВЛЕНИЯ И СЕРВОПРИВОДА
MOTOR DRIVE & SUB AUDIO PACK SCHEMATIC DIAGRAM / ПРИНЦИПИАЛЬНАЯ СХЕМА ПРИВОДА ЭЛЕКТРОДВИГАТЕЛЯ И ОБРАБОТКИ АУДИОСИГНАЛА (ДОПОЛНИТЕЛЬНАЯ)
Hi-Fi AUDIO PACK SCHEMATIC DIAGRAM / ПРИНЦИПИАЛЬНАЯ СХЕМА ОБРАБОТКИ АУДИОСИГНАЛА
OSD PACK SCHEMATIC DIAGRAM (NV-HD650EE) / ПРИНЦИПИАЛЬНАЯ СХЕМА БЛОКА ЭКРАННЫХ МЕНЮ (NV-HD650EE)
INPUT/OUTPUT PACK SCHEMATIC DIAGRAM (NV-HD650EE) / ПРИНЦИПИАЛЬНАЯ СХЕМА ПЛАТЫ ВВОДА-ВЫВОДА (NV-HD650EE)
INPUT/OUTPUT PACK SCHEMATIC DIAGRAM (NV-HD650AM/BD, NV-HD655AM) / ПРИНЦИПИАЛЬНАЯ СХЕМА ПЛАТЫ ВВОДА-ВЫВОДА (NV-HD650AM/BD, NV-HD655AM)
HEAD AMP SCHEMATIC DIAGRAM / ПРИНЦИПИАЛЬНАЯ СХЕМА УСИЛИТЕЛЯ ВИДЕОГОЛОВКИ
LUMINANCE & CHROMINANCE PACK SCHEMATIC DIAGRAM / ПРИНЦИПИАЛЬНАЯ СХЕМА КАНАЛОВ ЯРКОСТИ И ЦВЕТА (ДОПОЛНИТЕЛЬНАЯ)
TIMER & OPERATION SCHEMATIC DIAGRAM (NV-HD650EE) / ПРИНЦИПИАЛЬНАЯ СХЕМА ПЛАТЫ УПРАВЛЕНИЯ И ТАЙМЕРА (NV-HD650EE)
TIMER & OPERATION SCHEMATIC DIAGRAM (NV-HD650AM/BD, NV-HD655AM) / ПРИНЦИПИАЛЬНАЯ СХЕМА ПЛАТЫ УПРАВЛЕНИЯ И ТАЙМЕРА (NV-HD650AM/BD, NV-HD655AM)
TV DEMODULATOR PACK SCHEMATIC DIAGRAM (NV-HD650BD) / ПРИНЦИПИАЛЬНАЯ СХЕМА TV ДЕМОДУЛЯТОРА (NV-HD650BD)
TV DEMODULATOR PACK SCHEMATIC DIAGRAM (NV-HD650AM/EE, NV-HD655AM) / ПРИНЦИПИАЛЬНАЯ СХЕМА TV ДЕМОДУЛЯТОРА (NV-HD650AM/EE, NV-HD655AM)
NICAM DECODER PACK SCHEMATIC DIAGRAM (NV-HD650BD, NV-HD655AM) / ПРИНЦИПИАЛЬНАЯ СХЕМА ПЛАТЫ ДЕКОДИРОВАНИЯ NICAM-СИГНАЛА (NV-HD650BD, NV-HD655AM)
DECODER PACK SCHEMATIC DIAGRAM (NV-HD650AM/EE) / ПРИНЦИПИАЛЬНАЯ СХЕМА ПЛАТЫ ДЕКОДИРОВАНИЯ NICAM-СИГНАЛА (NV-HD650AM/EE)

EXPLODED VIEWS & PARTS LIST / СБОРОЧНЫЕ ЧЕРТЕЖИ И СПИСОК ЗАПАСНЫХ ЧАСТЕЙ

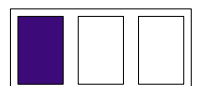
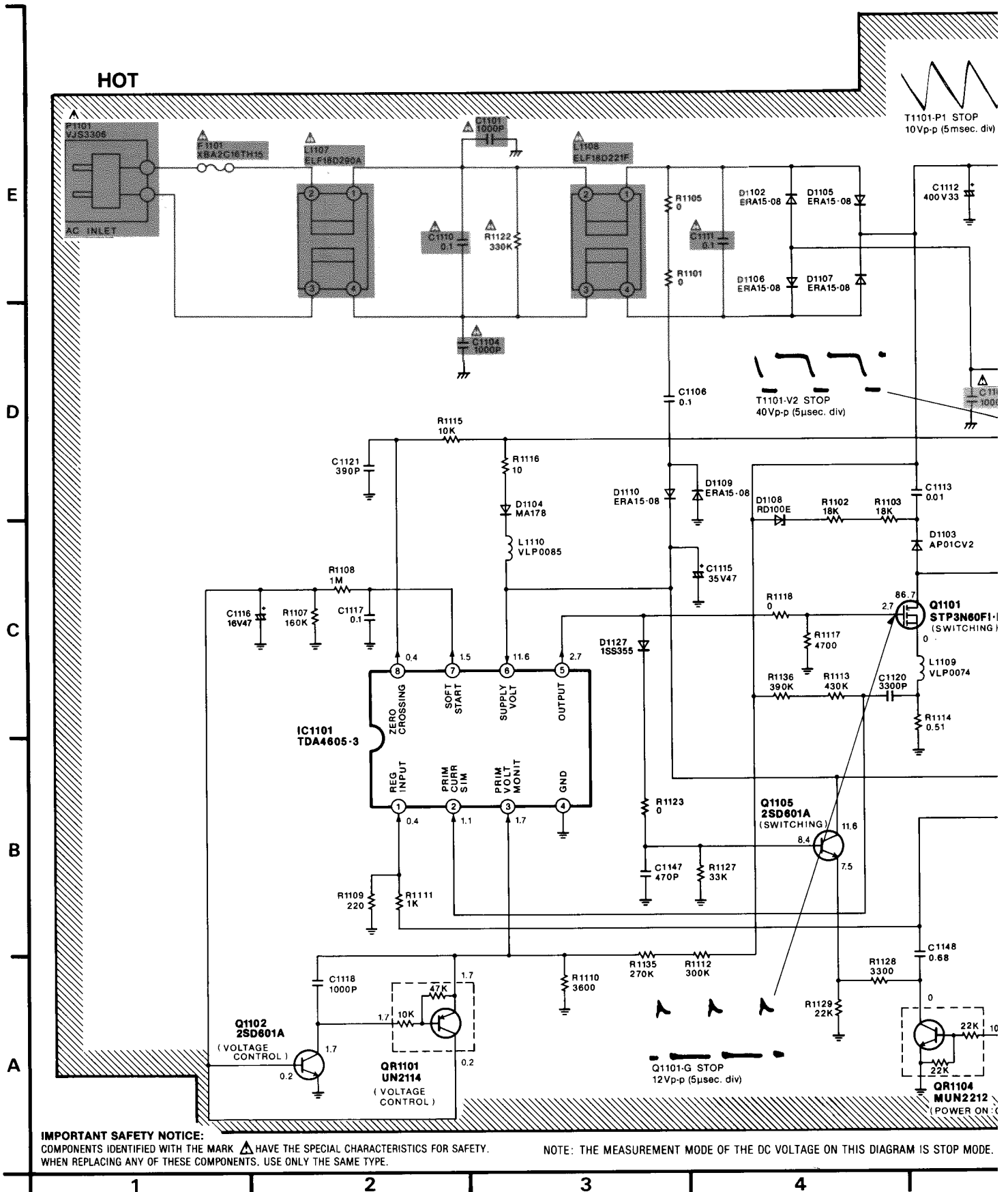
EXPLODED VIEW & MECHANICAL REPLACEMENT PARTS LIST / СБОРОЧНЫЕ ЧЕРТЕЖИ И СПИСОК МЕХАНИЧЕСКИХ ЗАПАСНЫХ ЧАСТЕЙ
CHASSIS PARTS SECTION (1) / ШАССИ (СЕКЦИЯ 1)
CHASSIS PARTS SECTION (2) / ШАССИ (СЕКЦИЯ 2)
CASING PARTS SECTION / КОРПУС
PACKING PARTS SECTION / УПАКОВКА
REMOTE CONTROLLER UNIT / ПУЛЬТ ДИСТАНЦИОННОГО УПРАВЛЕНИЯ
ELECTRICAL REPLACEMENT PARTS LIST / СПИСОК ЭЛЕКТРИЧЕСКИХ ЗАПАСНЫХ ЧАСТЕЙ

Panasonic

© 1995 Matsushita Electric Industrial Co., Ltd.
All rights reserved. Unauthorized copying and distribution is a violation of law.

SECTION 4 SCHEMATIC DIAGRAMS

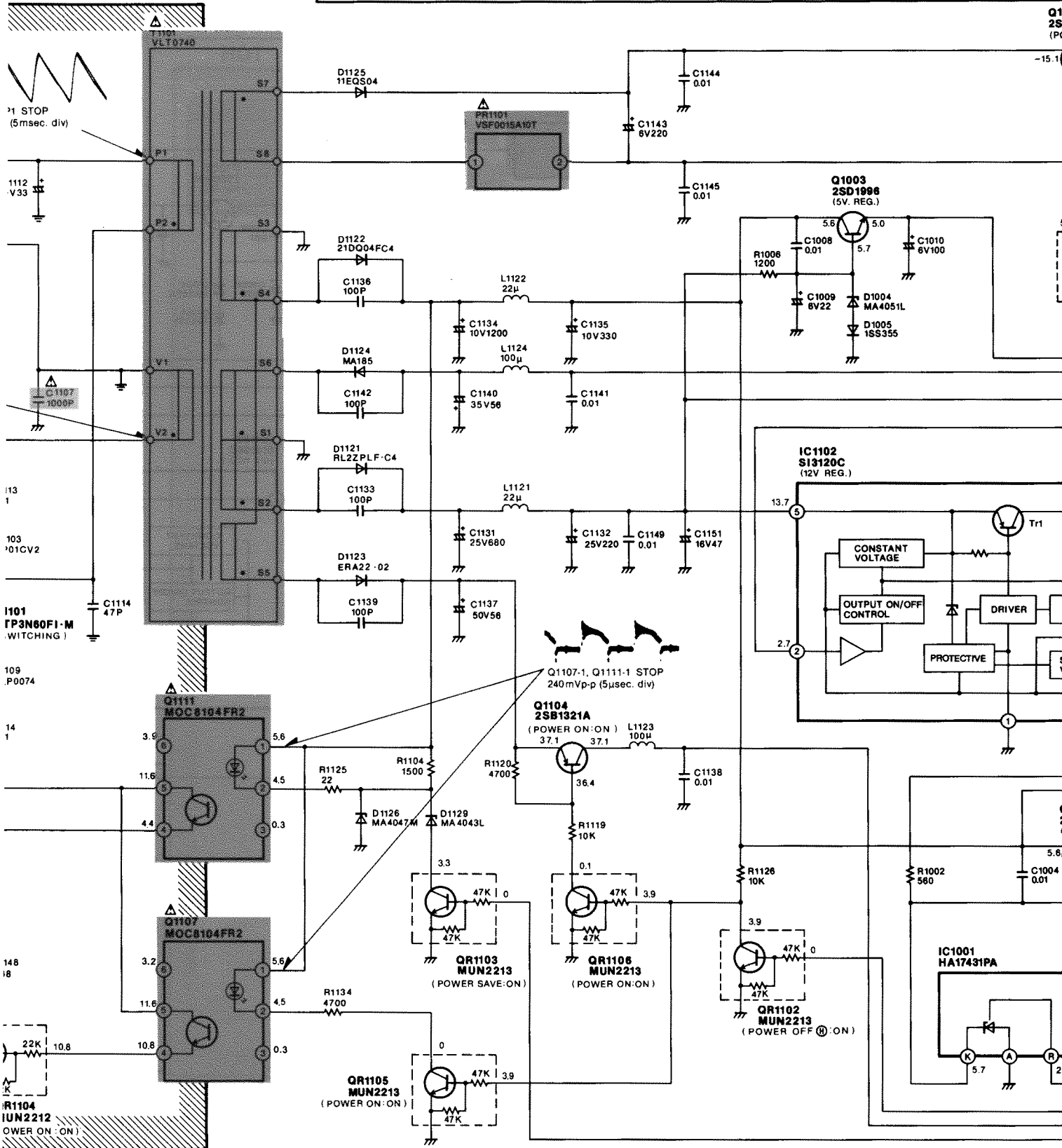
4-1. POWER SUPPLY SECTION IN MAIN SCHEMATIC DIAGRAM (NV-HD650)



D650EE)

CAUTION

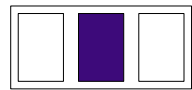
THE RED MARK INDICATES THE PRIMARY CIRCUIT TO DISTINGUISH THE SECONDARY CIRCUIT.
PAY ATTENTION NOT TO RECEIVE AN ELECTRIC SHOCK DURING REPAIR OF THE PRODUCTS.



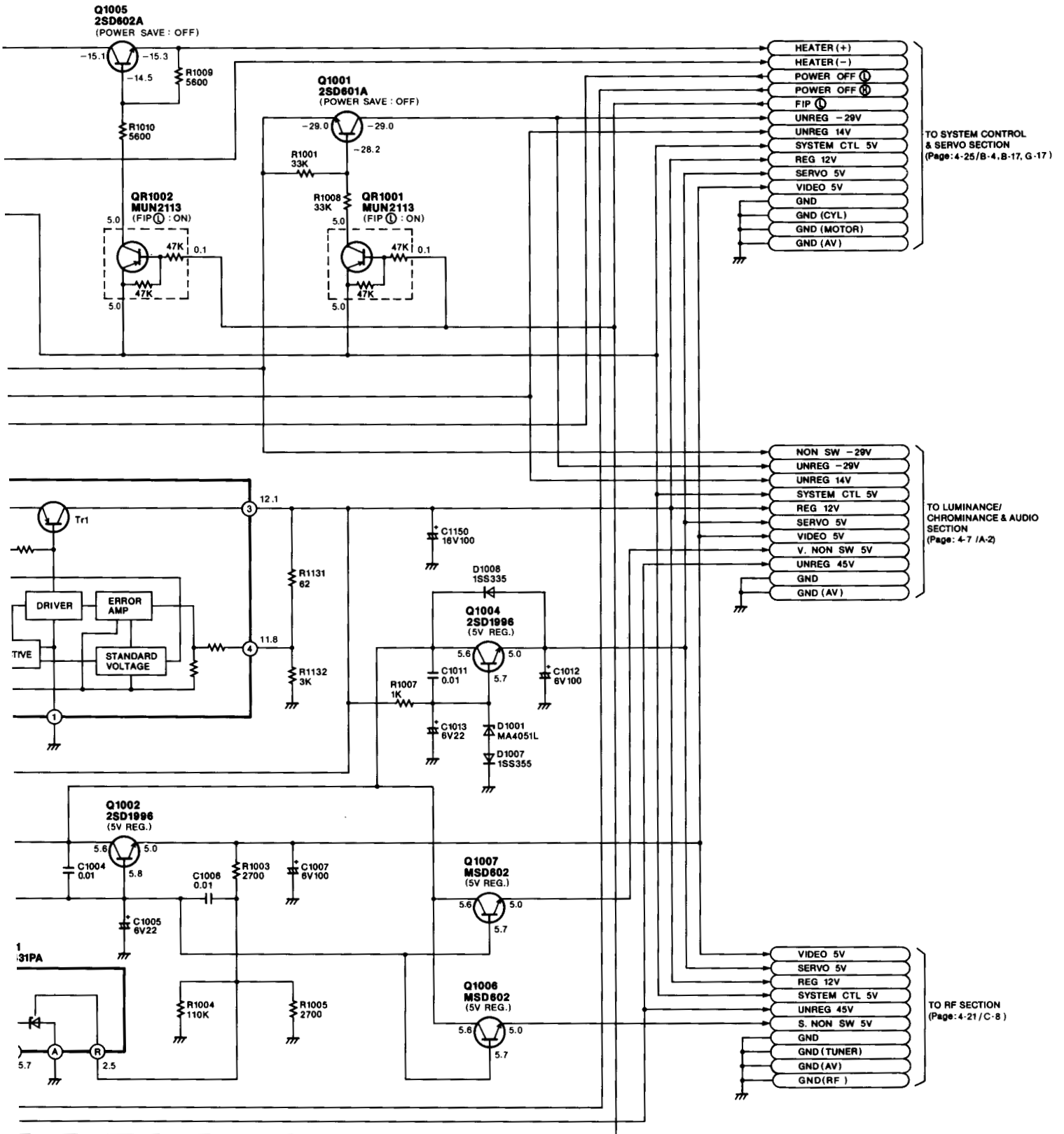
NOTE 1. WHEN MEASURE THE VOLTAGE OR WAVEFORM ON THE POWER TRANSFORMER PRIMARY SIDE ⚡ SECONDARY SIDE ⚡

NOTE 2. THE DC VOLTAGE INPUT AC IS 240V.

TOP MODE. 5 6 7 8 9

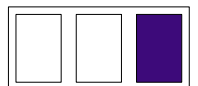


DISTINGUISH THE PRIMARY FROM
DURING REPAIR AND SERVICE OF

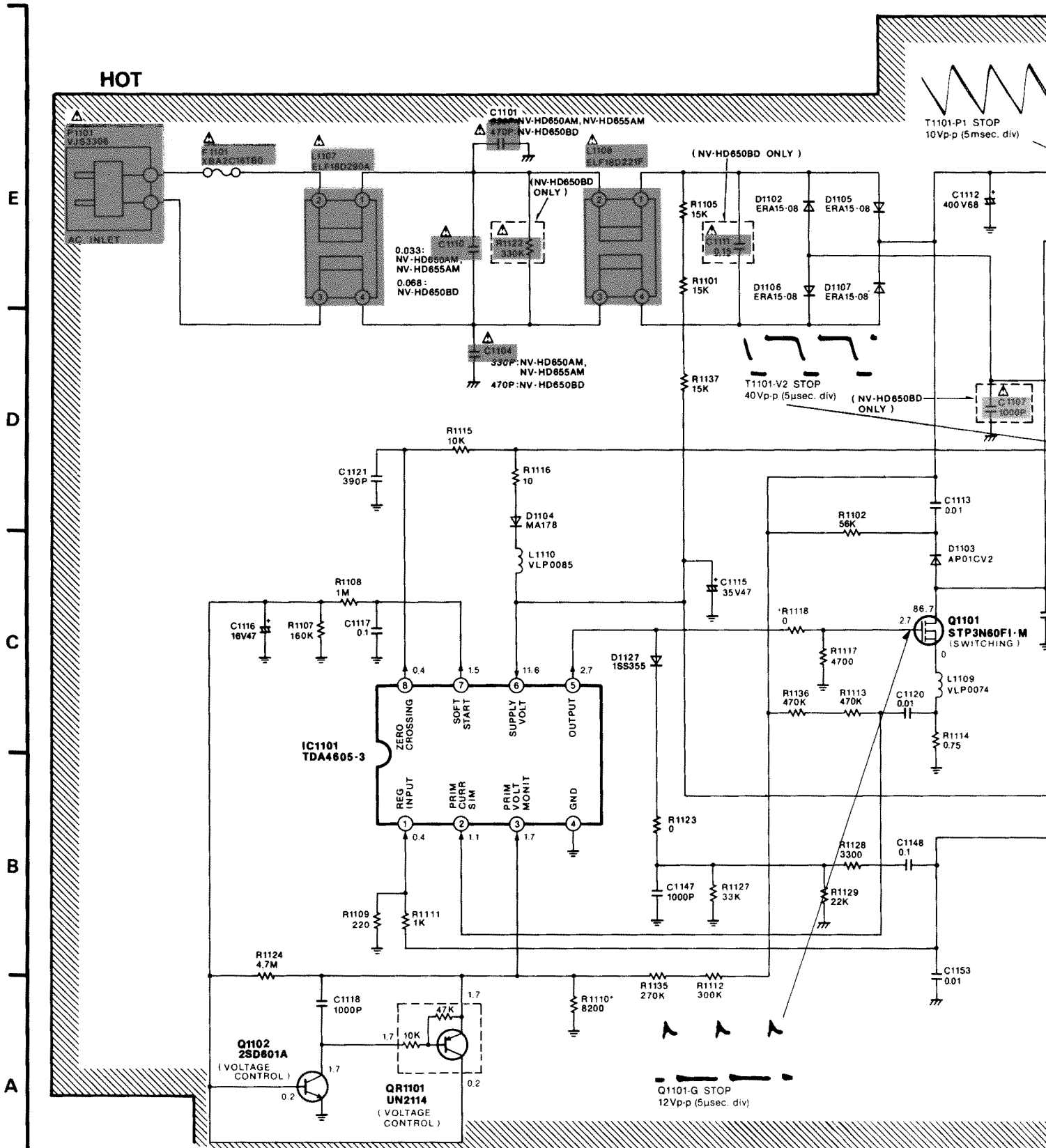


DC VOLTAGE INDICATED IN PRIMARY SIDE IS SHOWN THE VOLTAGE WHEN IT AC IS 240V.

NOTE: DO NOT USE ANY PART NUMBER SHOWN ON THIS SCHEMATIC DIAGRAM FOR ORDERING. WHEN YOU ORDER A PART, PLEASE REFER TO PARTS LIST.

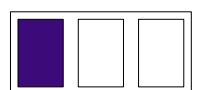


4-2. POWER SUPPLY SECTION IN MAIN SCHEMATIC DIAGRAM (NV-HD650A)



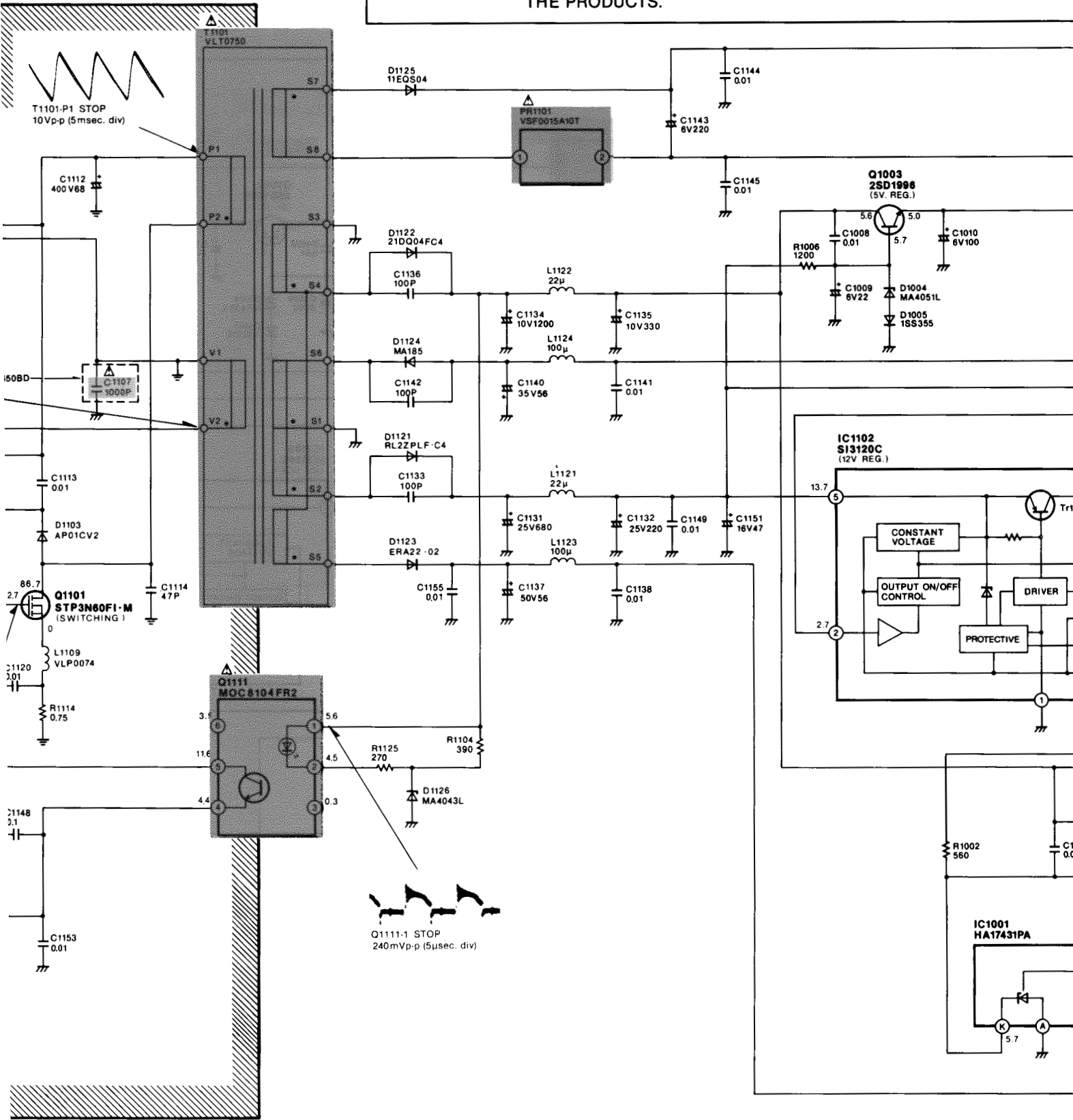
IMPORTANT SAFETY NOTICE: COMPONENTS IDENTIFIED WITH THE MARK Δ HAVE THE SPECIAL CHARACTERISTICS FOR SAFETY. WHEN REPLACING ANY OF THESE COMPONENTS, USE ONLY THE SAME TYPE.

NOTE: THE MEASUREMENT MODE OF THE DC VOLTAGE ON THIS DIAGRAM IS STOP MODE.



(NV-HD650AM/BD,NV-HD655AM)

CAUTION THE RED MARK INDICATES THE PRIMARY CIRCUIT TO DISTINGUISH THE SECONDARY CIRCUIT.
 PAY ATTENTION NOT TO RECEIVE AN ELECTRIC SHOCK DURING REPAIR OF THE PRODUCTS.



GRAM IS STOP MODE.

NOTE 1. WHEN MEASURE THE VOLTAGE OR WAVEFORM ON THE POWER TRANSFORMER CIRCUIT, SET THE GND TERMINAL OF MEASURING POINT AS FOLLOWS.

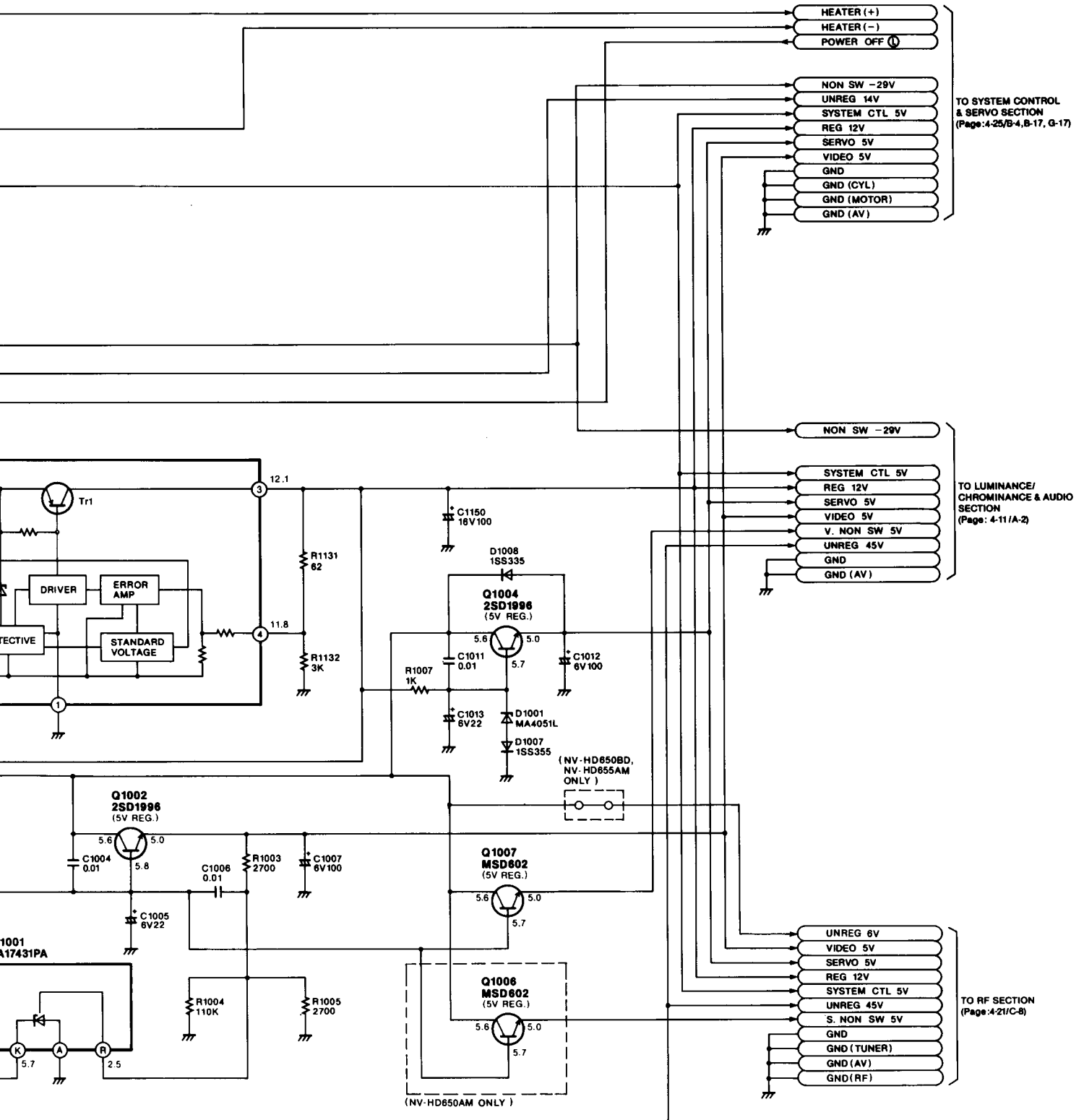
PRIMARY SIDE ≡
 SECONDARY SIDE ⏏

NOTE 2. THE DC VOLTAGE INPUT AC IS 240

5 | 6 | 7 | 8 | 9



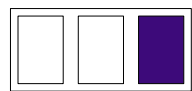
DISTINGUISH THE PRIMARY FROM
DURING REPAIR AND SERVICE OF



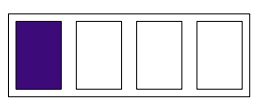
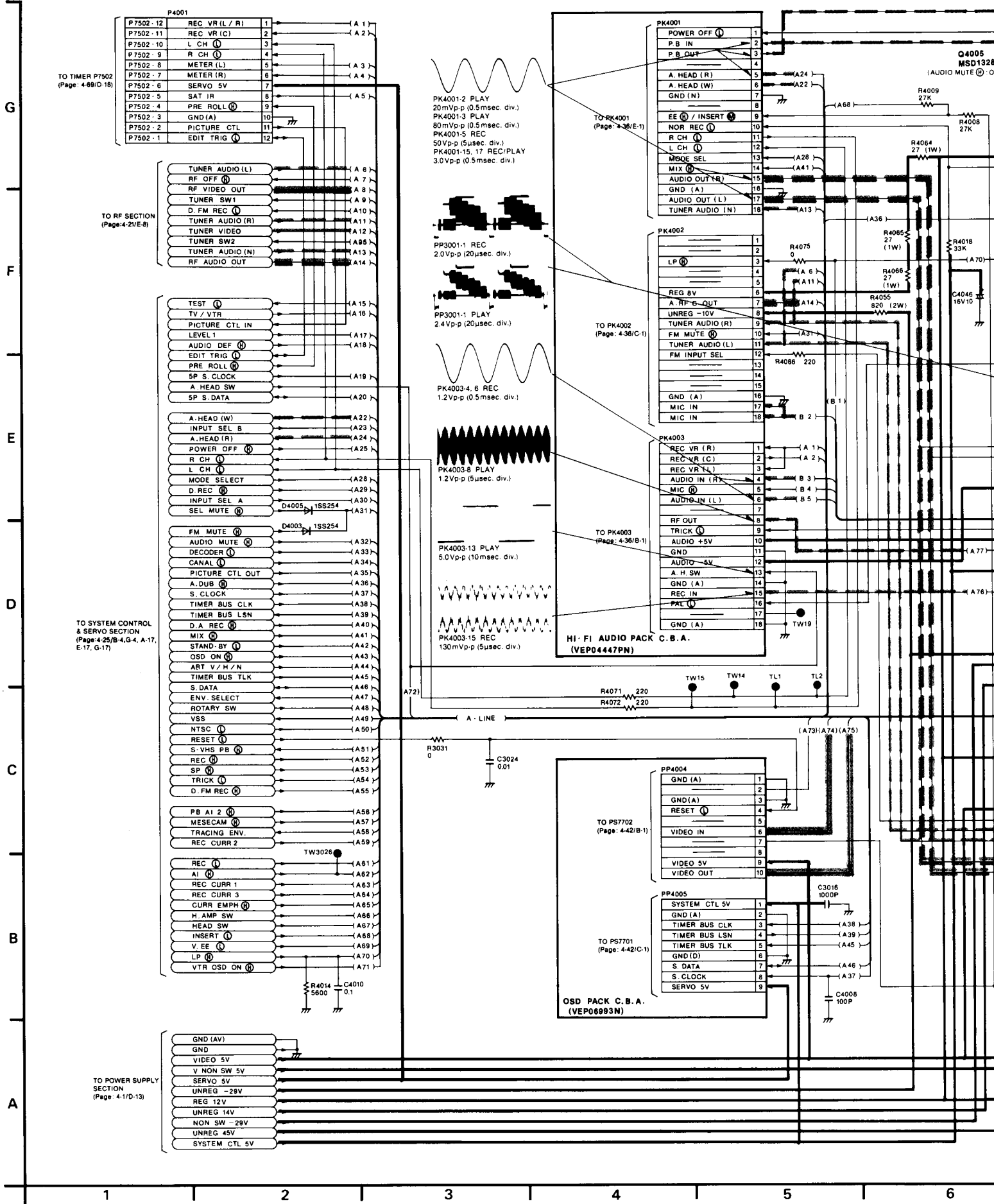
THE DC VOLTAGE INDICATED IN PRIMARY SIDE IS SHOWN THE VOLTAGE WHEN
INPUT AC IS 240V.

NOTE: DO NOT USE ANY PART NUMBER SHOWN ON THIS
SCHEMATIC DIAGRAM FOR ORDERING. WHEN YOU
ORDER A PART, PLEASE REFER TO PARTS LIST.

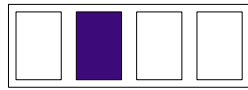
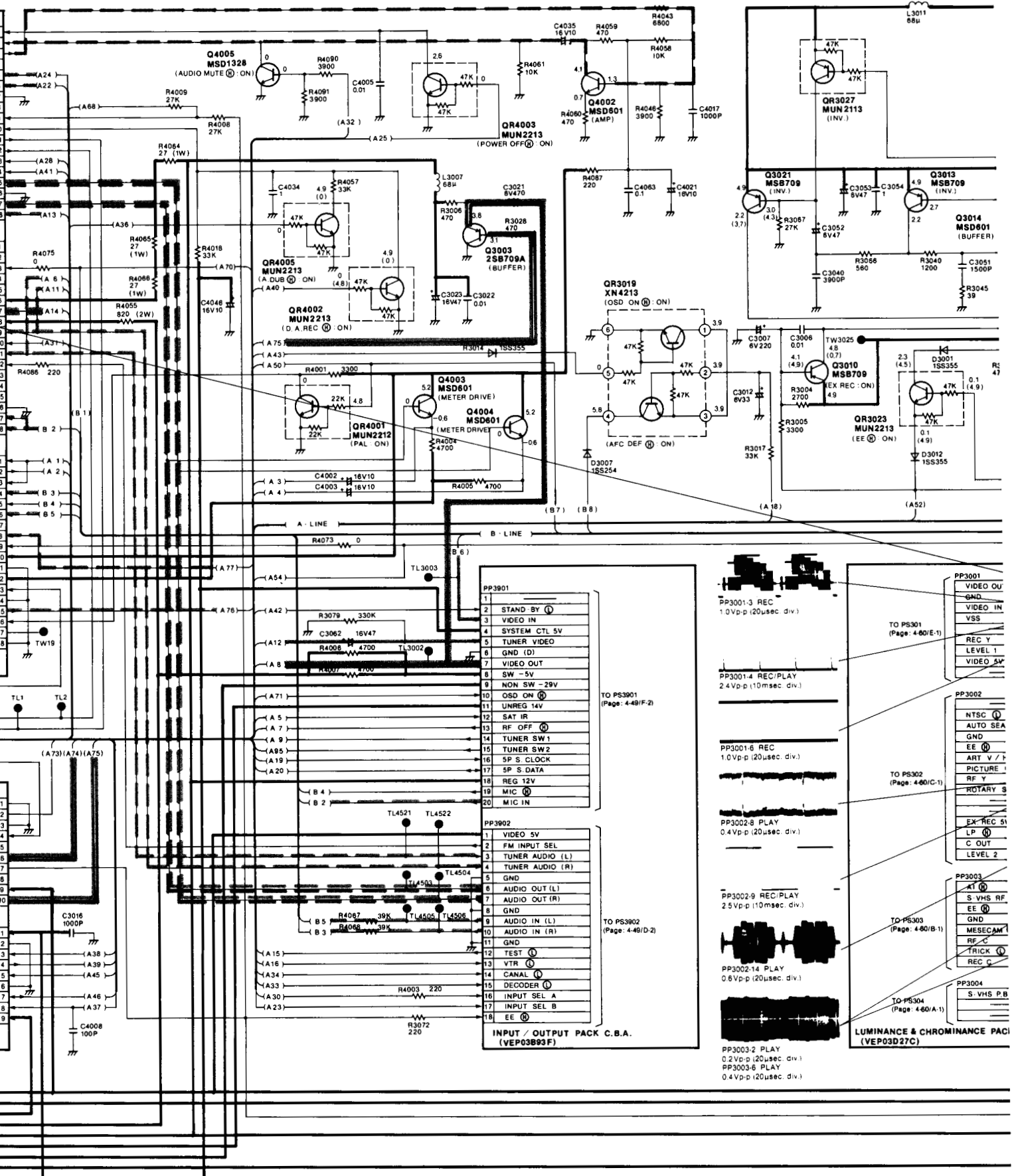
9 | 10 | 11 | 12 | 13

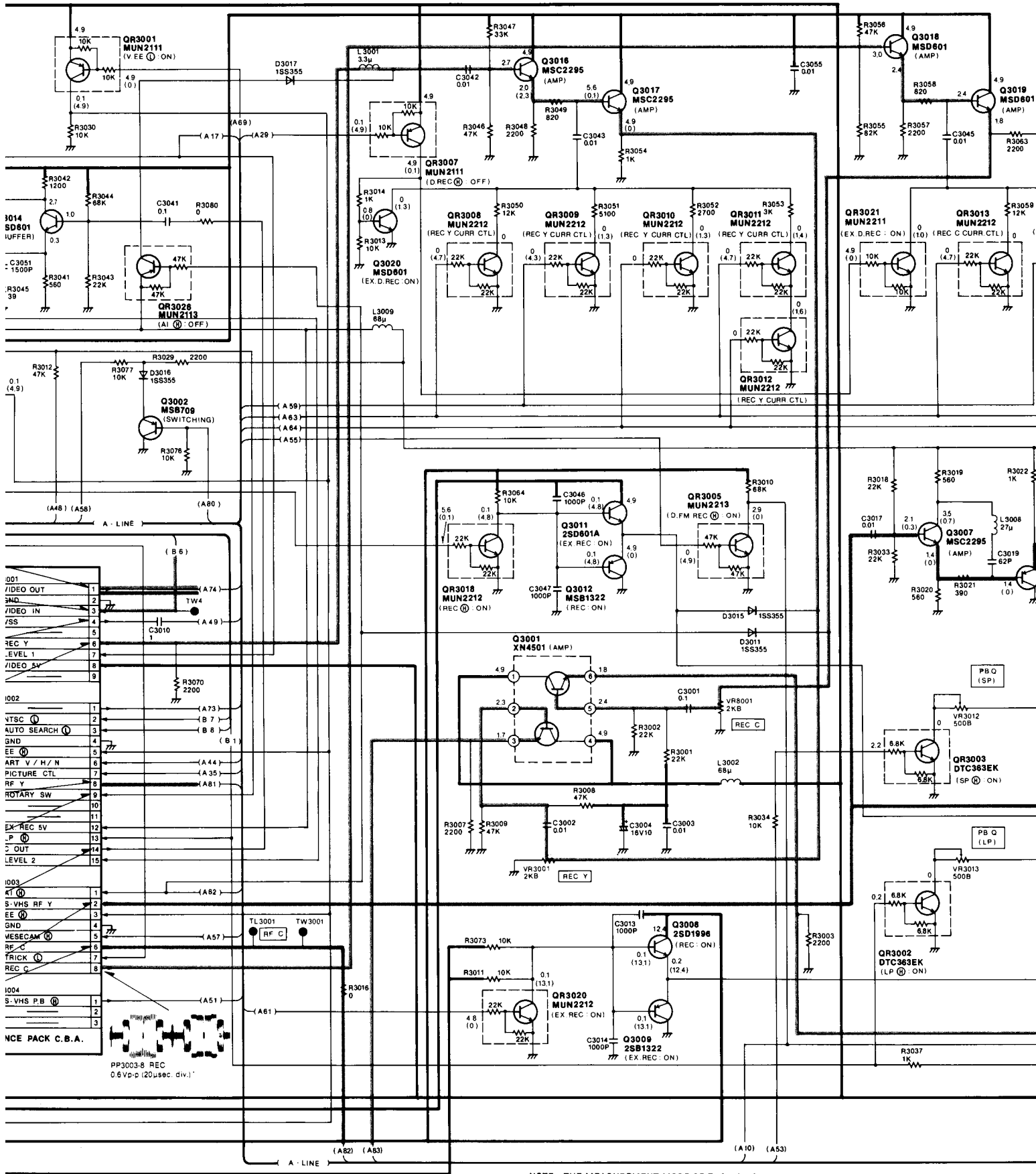


4-3. LUMINANCE/CHROMINANCE & AUDIO SECTION IN MAIN SCHEMATIC



MAIN SCHEMATIC DIAGRAM (NV-HD650EE)





NOTE: THE MEASUREMENT MODE OF THE DC VOLTAGE IN THE BRACKETS () ON THIS DIAGRAM IS RECO WITH PAL COLOUR SIGNAL. (SP MODE)
 THE MEASUREMENT MODE OF THE DC VOLTAGE OUT OF THE BRACKETS ON THIS DIAGRAM IS PLAYBA WITH PAL COLOUR SIGNAL. (SP MODE)

11

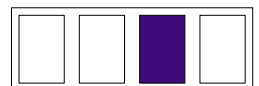
12

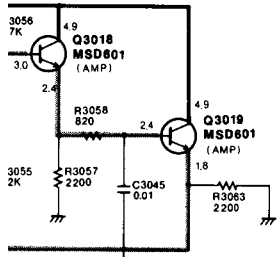
13

14

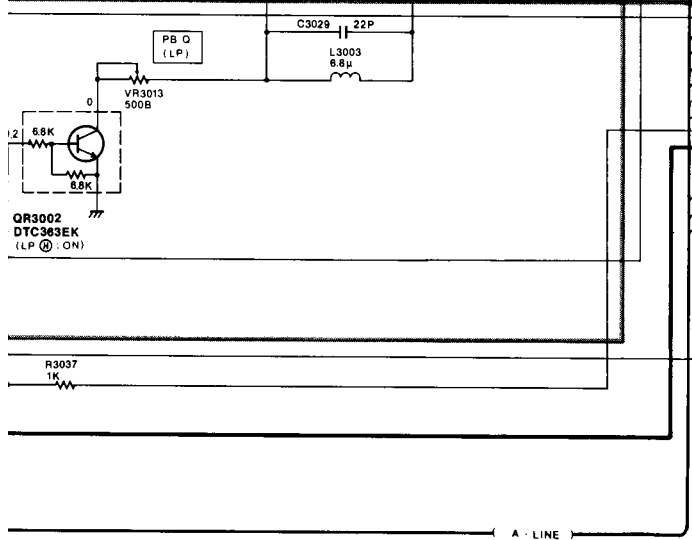
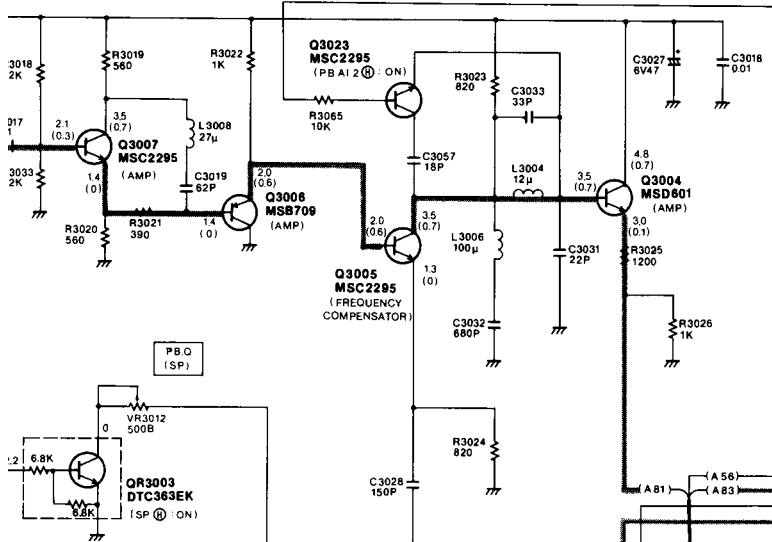
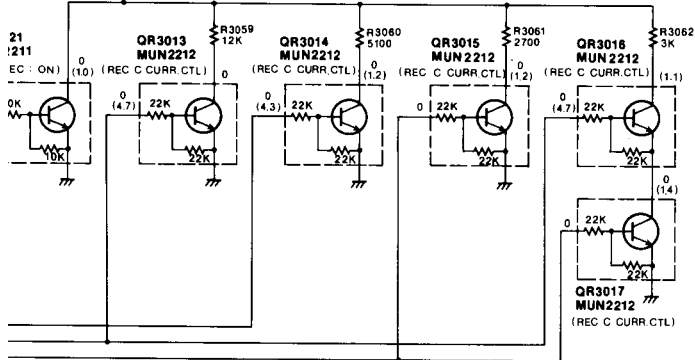
15

16





- - - - - VIDEO MAIN SIGNAL PATH IN REC MODE
 ————— VIDEO MAIN SIGNAL PATH IN PLAYBACK MODE
 - - - - - AUDIO MAIN SIGNAL PATH IN REC MODE
 - - - - - AUDIO MAIN SIGNAL PATH IN PLAYBACK MODE

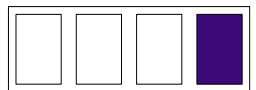


Pin	Signal	Part
20	REC Y	P501 - 1
19	REC 12V	P501 - 2
18	REC C	P501 - 3
17	GND	P501 - 4
16	RF Y	P501 - 5
15	EX. REC 5V	P501 - 6
14	RF C	P501 - 7
13	H. AMP SW	P501 - 8
12	HEAD SW	P501 - 9
11	TRACKING ENV.	P501 - 10
10	ENV. SELECT	P501 - 11
9	CURR EMPH	P501 - 12
8	LP	P501 - 13
7	VIDEO 5V	P501 - 14
6	GND	P501 - 15
5	GND	P501 - 16
4	A. HEAD SW	P501 - 17
3	REC IN	P501 - 18
2	RF OUT	P501 - 19
1	D. FM REC	P501 - 20

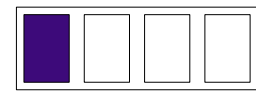
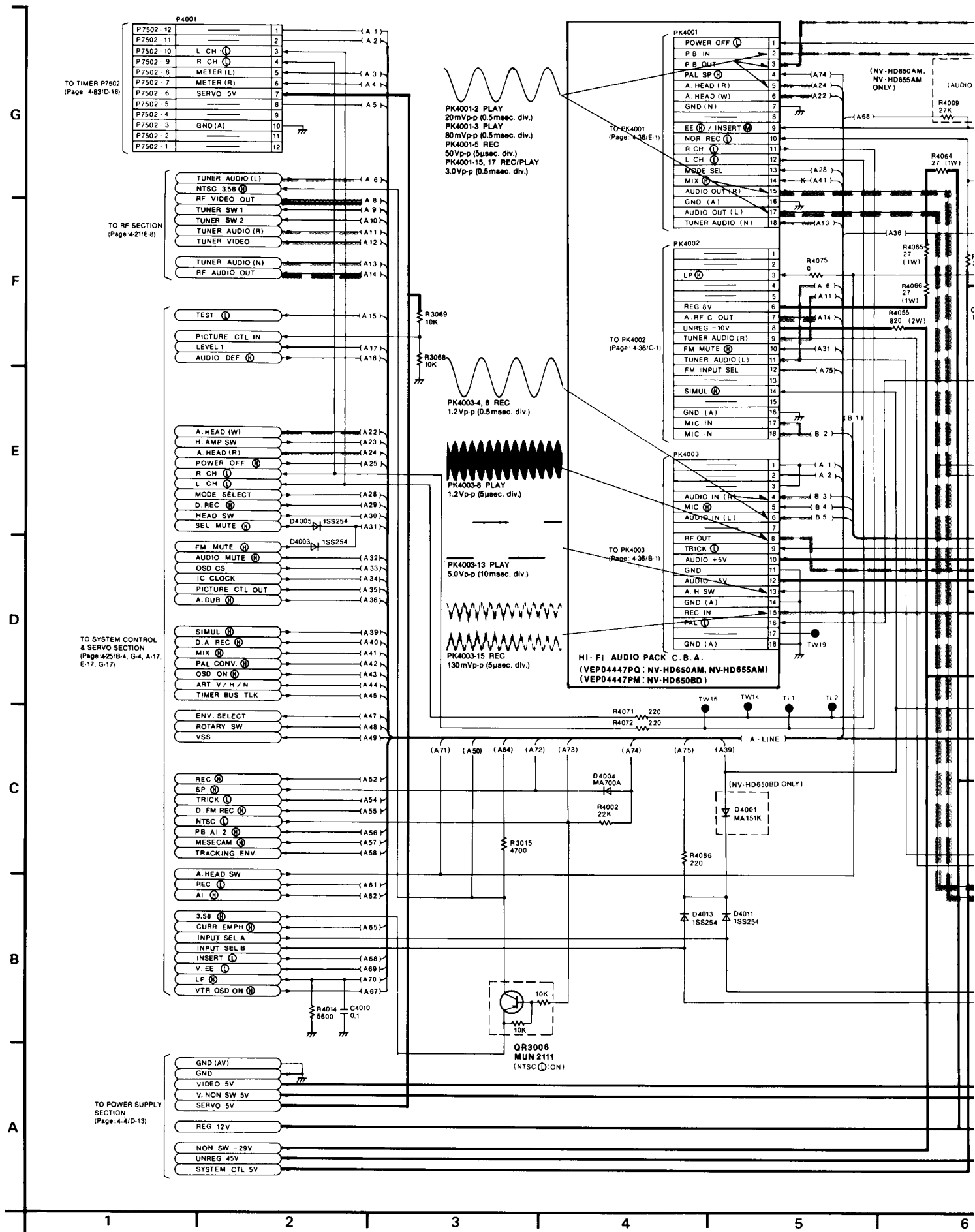
TO HEAD AMP P501
(Page 4-57/E-2)

() ON THIS DIAGRAM IS RECORD MODE
 () ON THIS DIAGRAM IS PLAYBACK MODE

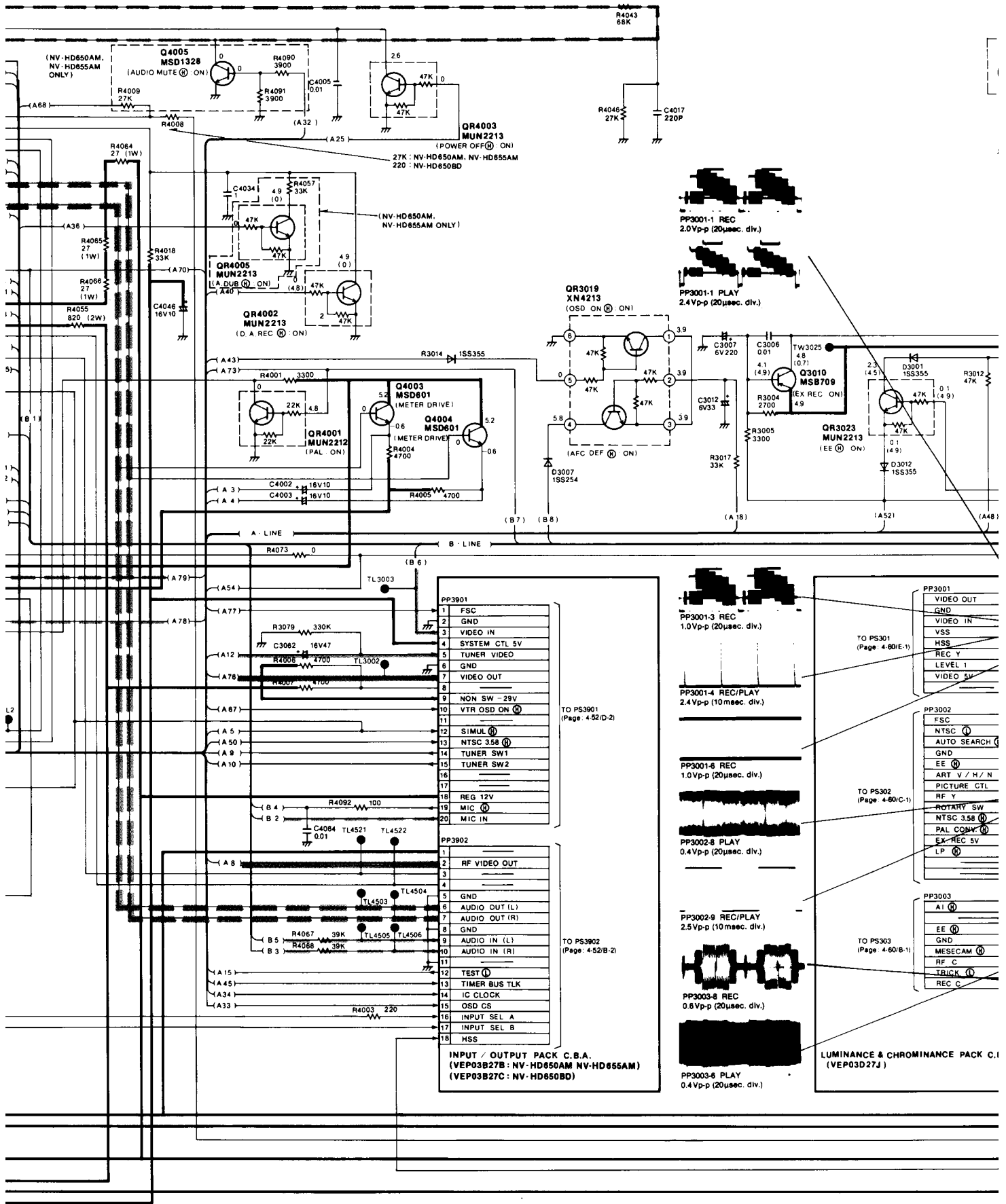
NOTE: DO NOT USE ANY PART NUMBER SHOWN ON THIS SCHEMATIC DIAGRAM FOR ORDERING. WHEN YOU ORDER A PART, PLEASE REFER TO PARTS LIST.



4-4. LUMINANCE/CHROMINANCE & AUDIO SECTION IN MAIN SCHEMATIC



SCHEMATIC DIAGRAM (NV-HD650AM/BD, NV-HD655AM)



PP3901

- 1 FSC
- 2 GND
- 3 VIDEO IN
- 4 SYSTEM CTL 5V
- 5 TUNER VIDEO
- 6 GND
- 7 VIDEO OUT
- 8
- 9 NON SW -29V
- 10 VTR OSD ON
- 11
- 12 SIMUL
- 13 NTSC 3.58
- 14 TUNER SW1
- 15 TUNER SW2
- 16
- 17
- 18 REG 12V
- 19 MIC
- 20 MIC IN

PP3902

- 1 RF VIDEO OUT
- 2
- 3
- 4
- 5 GND
- 6 AUDIO OUT (L)
- 7 AUDIO OUT (R)
- 8 GND
- 9 AUDIO IN (L)
- 10 AUDIO IN (R)
- 11
- 12 TEST
- 13 TIMER BUS TLK
- 14 IC CLOCK
- 15 OSD CS
- 16 INPUT SEL A
- 17 INPUT SEL B
- 18 HSS

PP3903

- 1 A1
- 2
- 3
- 4
- 5
- 6
- 7
- 8
- 9
- 10
- 11
- 12
- 13
- 14
- 15
- 16
- 17
- 18
- 19
- 20
- 21
- 22
- 23
- 24
- 25
- 26
- 27
- 28
- 29
- 30
- 31
- 32
- 33
- 34
- 35
- 36
- 37
- 38
- 39
- 40
- 41
- 42
- 43
- 44
- 45
- 46
- 47
- 48
- 49
- 50
- 51
- 52
- 53
- 54
- 55
- 56
- 57
- 58
- 59
- 60
- 61
- 62
- 63
- 64
- 65
- 66
- 67
- 68
- 69
- 70
- 71
- 72
- 73
- 74
- 75
- 76
- 77
- 78
- 79
- 80
- 81
- 82
- 83
- 84
- 85
- 86
- 87
- 88
- 89
- 90
- 91
- 92
- 93
- 94
- 95
- 96
- 97
- 98
- 99
- 100

INPUT / OUTPUT PACK C.B.A.
 (VEP03B27B: NV-HD650AM NV-HD655AM)
 (VEP03B27C: NV-HD650BD)

PP3001

- VIDEO OUT
- GND
- VIDEO IN
- VSS
- HSS
- REC Y
- LEVEL 1
- VIDEO 5V

PP3002

- FSC
- NTSC 3.58
- AUTO SEARCH
- GND
- EE
- ART V / H / N
- PICTURE CTL
- RF Y
- ROTARY SW
- NTSC 3.58
- PAL CONN
- EX-REC 5V
- LP

PP3003

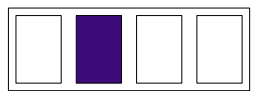
- A1
- GND
- MESECAM
- RF C
- TRIG C
- REC C

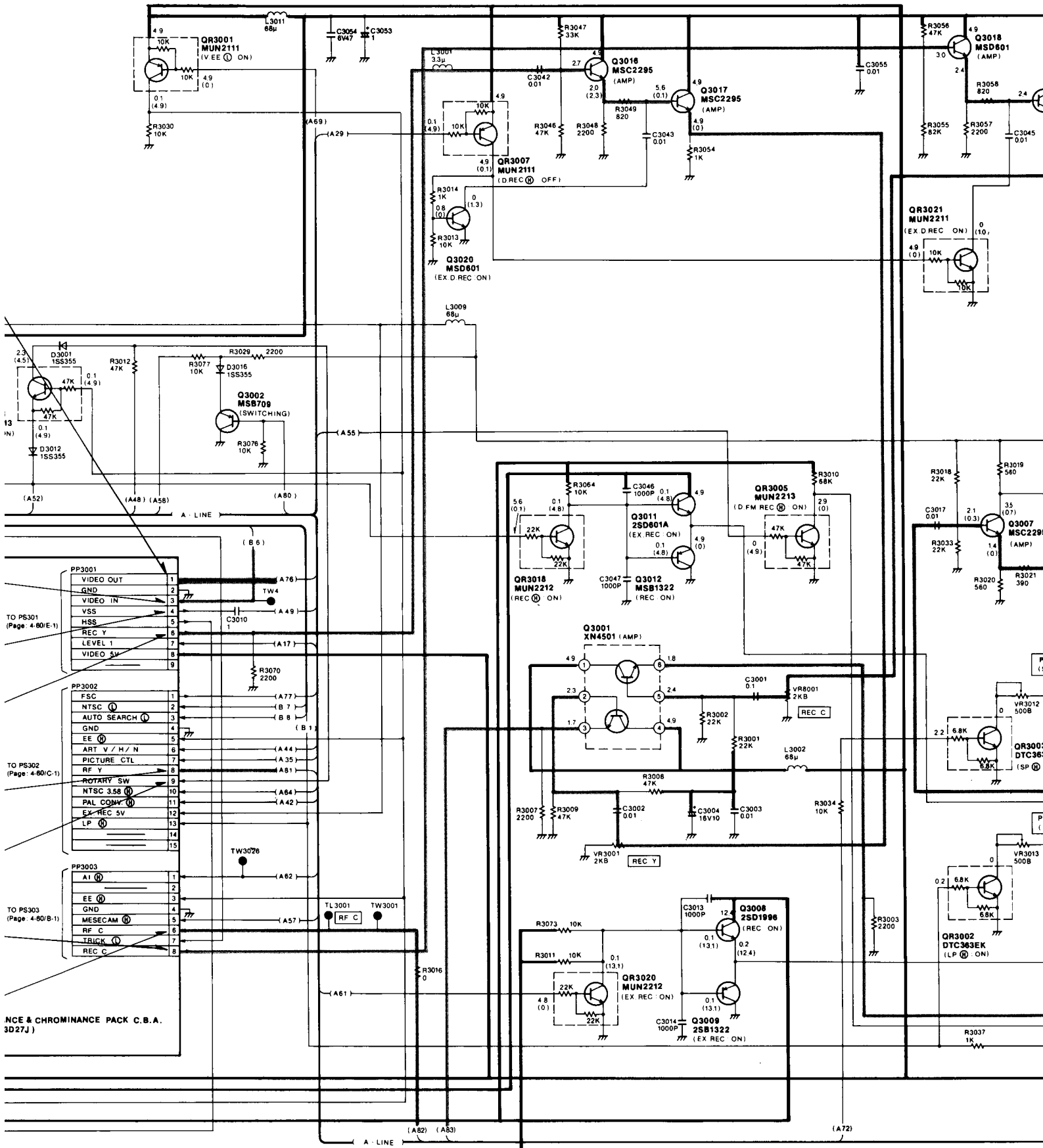
TO PS301 (Page: 4-60/E-1)

TO PS302 (Page: 4-60/C-1)

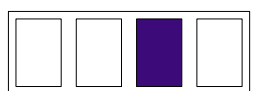
TO PS303 (Page: 4-60/B-1)

LUMINANCE & CHROMINANCE PACK C.I.
 (VEP03D27J)

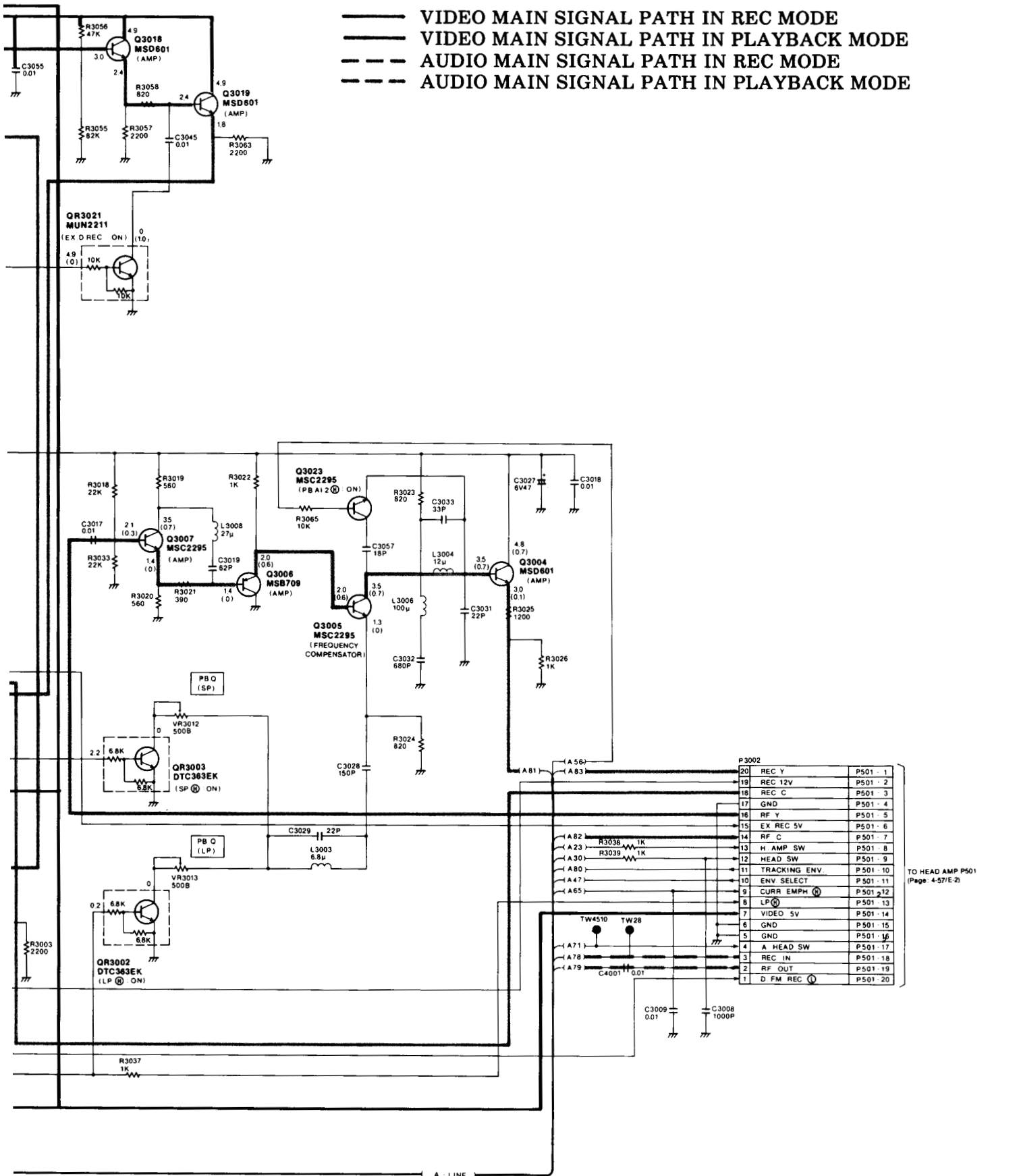




NOTE: THE MEASUREMENT MODE OF THE DC VOLTAGE IN THE BRACKETS () ON THIS DIAGRAM IS WITH PAL COLOUR SIGNAL. (SP MODE)
 THE MEASUREMENT MODE OF THE DC VOLTAGE OUT OF THE BRACKETS ON THIS DIAGRAM IS WITH PAL COLOUR SIGNAL. (SP MODE)

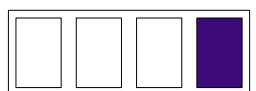


— VIDEO MAIN SIGNAL PATH IN REC MODE
 — VIDEO MAIN SIGNAL PATH IN PLAYBACK MODE
 - - - AUDIO MAIN SIGNAL PATH IN REC MODE
 - - - AUDIO MAIN SIGNAL PATH IN PLAYBACK MODE



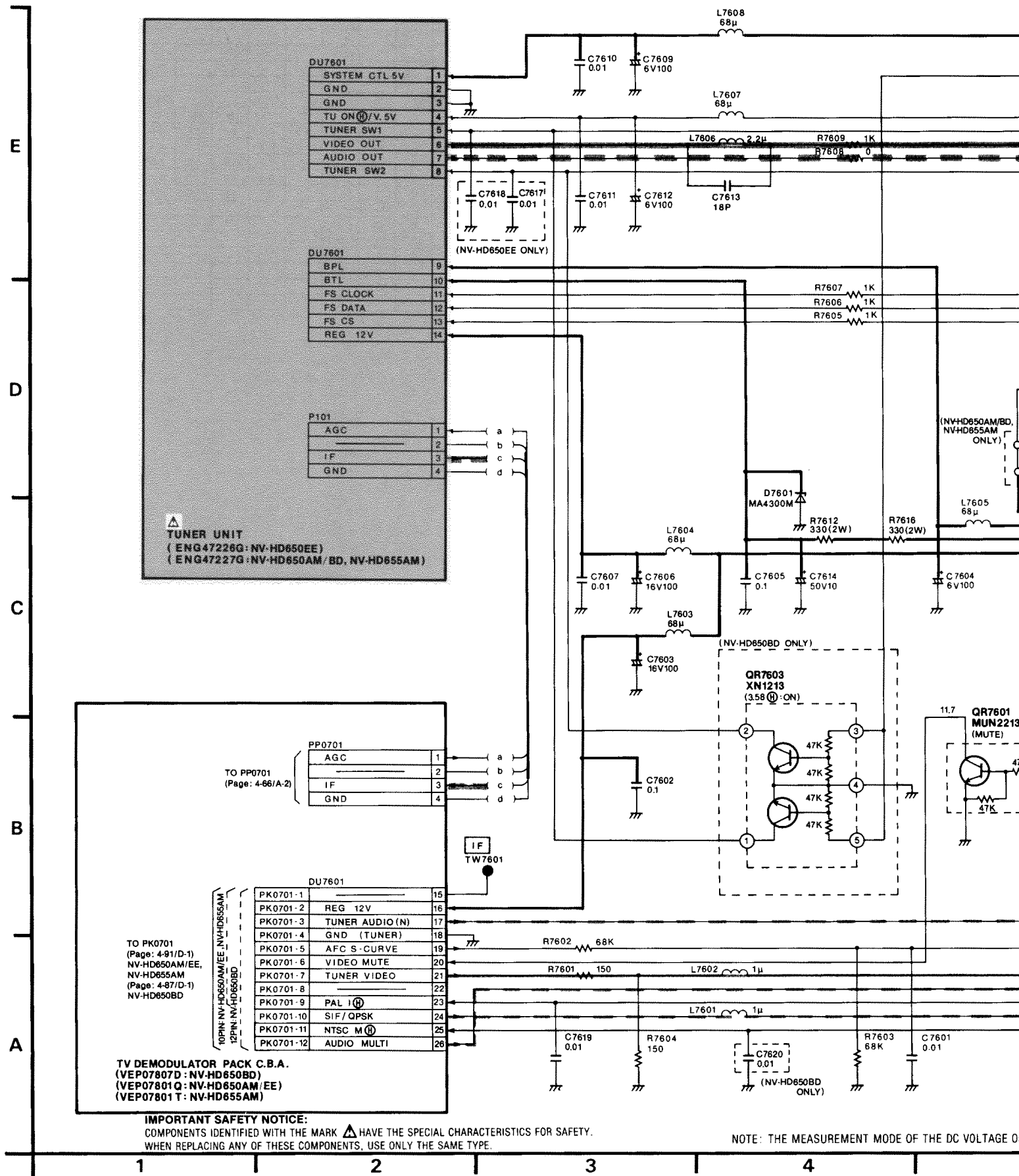
WITHIN THE BRACKETS () ON THIS DIAGRAM IS RECORD MODE
 OUT OF THE BRACKETS ON THIS DIAGRAM IS PLAYBACK MODE

NOTE: DO NOT USE ANY PART NUMBER SHOWN ON THIS SCHEMATIC DIAGRAM FOR ORDERING. WHEN YOU ORDER A PART, PLEASE REFER TO PARTS LIST.



4-7. RF SECTION IN MAIN SCHEMATIC DIAGRAM

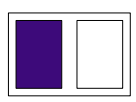
VIDEO MAIN SIGNAL PAT
VIDEO MAIN SIGNAL PAT



IMPORTANT SAFETY NOTICE:
COMPONENTS IDENTIFIED WITH THE MARK HAVE THE SPECIAL CHARACTERISTICS FOR SAFETY.
WHEN REPLACING ANY OF THESE COMPONENTS, USE ONLY THE SAME TYPE.

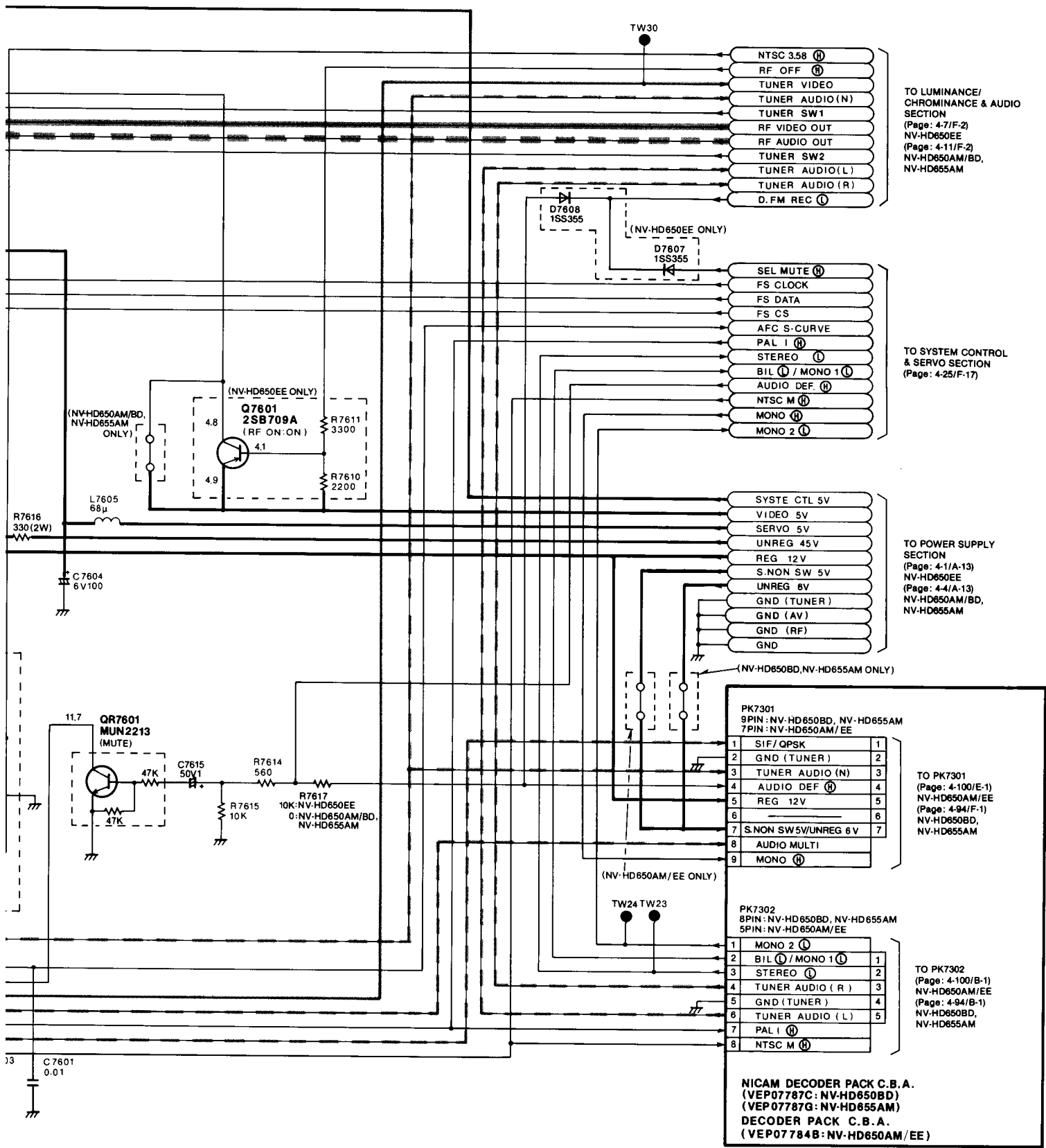
NOTE: THE MEASUREMENT MODE OF THE DC VOLTAGE O

1 2 3 4



IN SIGNAL PATH IN REC MODE
IN SIGNAL PATH IN PLAYBACK MODE

AUDIO MAIN SIGNAL PATH IN REC MODE
AUDIO MAIN SIGNAL PATH IN PLAYBACK MODE



DE OF THE DC VOLTAGE ON THIS DIAGRAM IS STOP MODE.

NOTE: DO NOT USE ANY PART NUMBER SHOWN ON THIS SCHEMATIC DIAGRAM FOR ORDERING. WHEN YOU ORDER A PART, PLEASE REFER TO PARTS LIST.

5

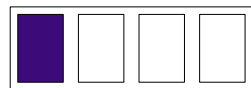
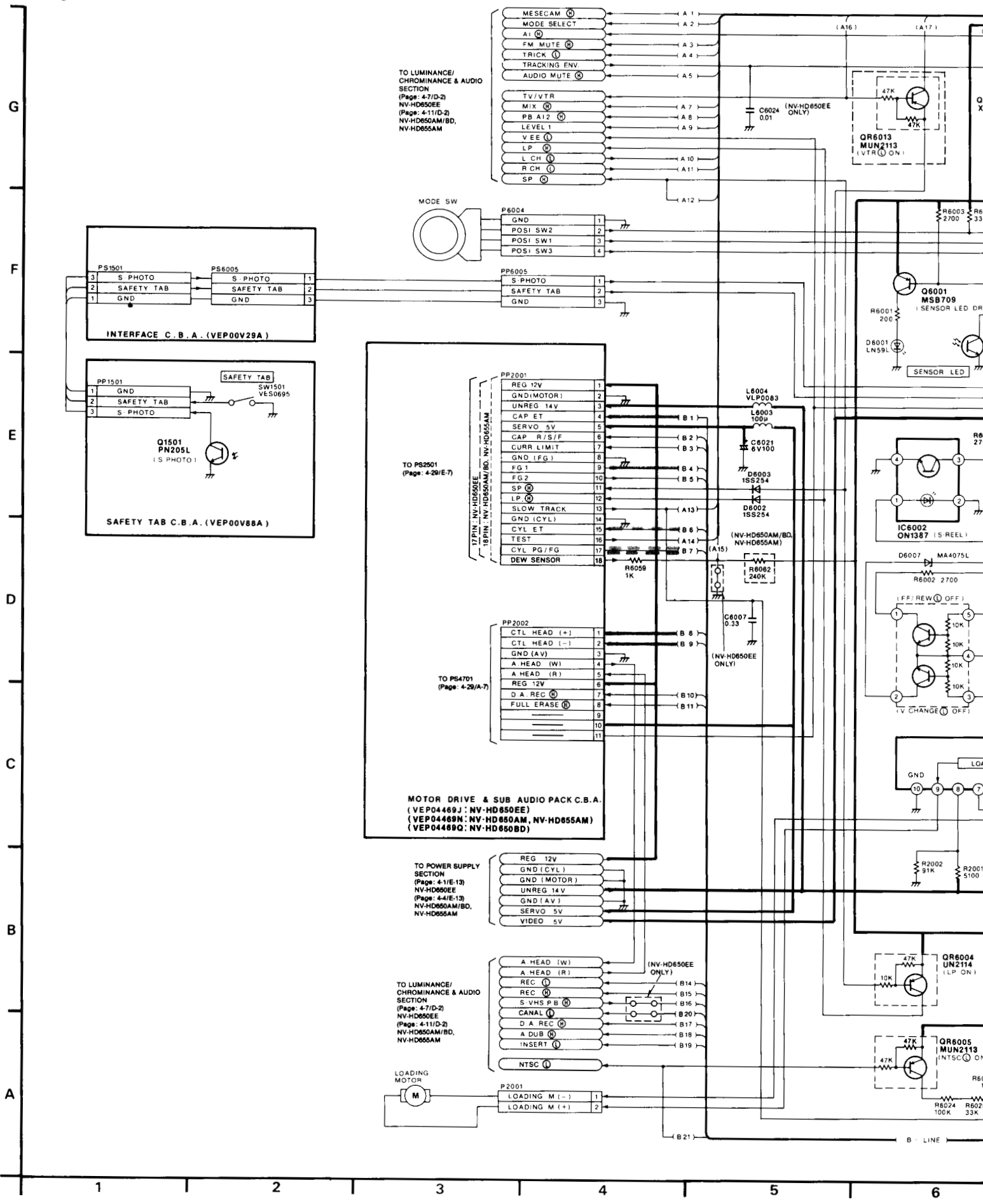
6

7

8

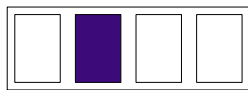
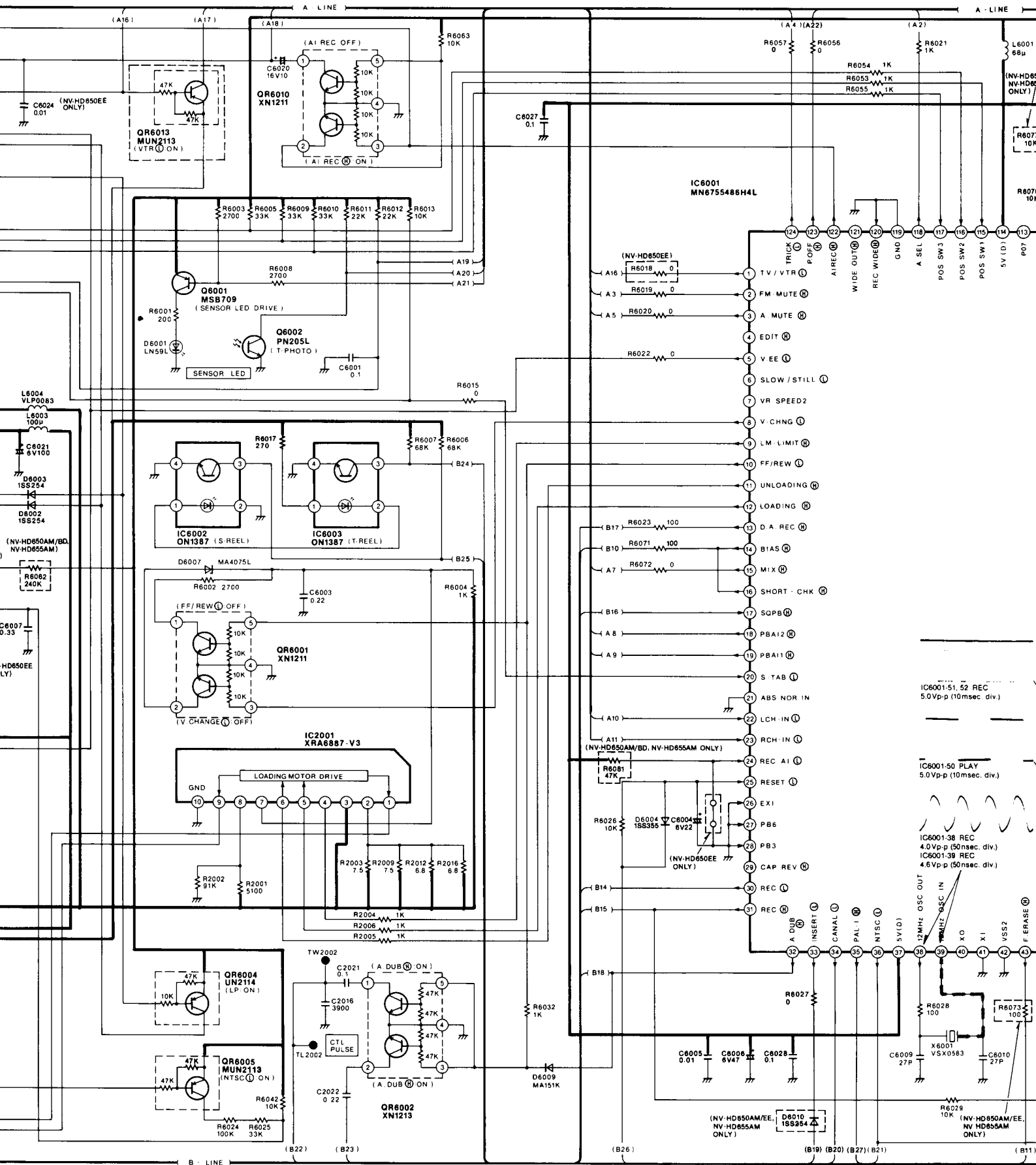


4-8. SYSTEM CONTROL & SERVO SECTION IN MAIN SCHEMATIC DIAGRAM

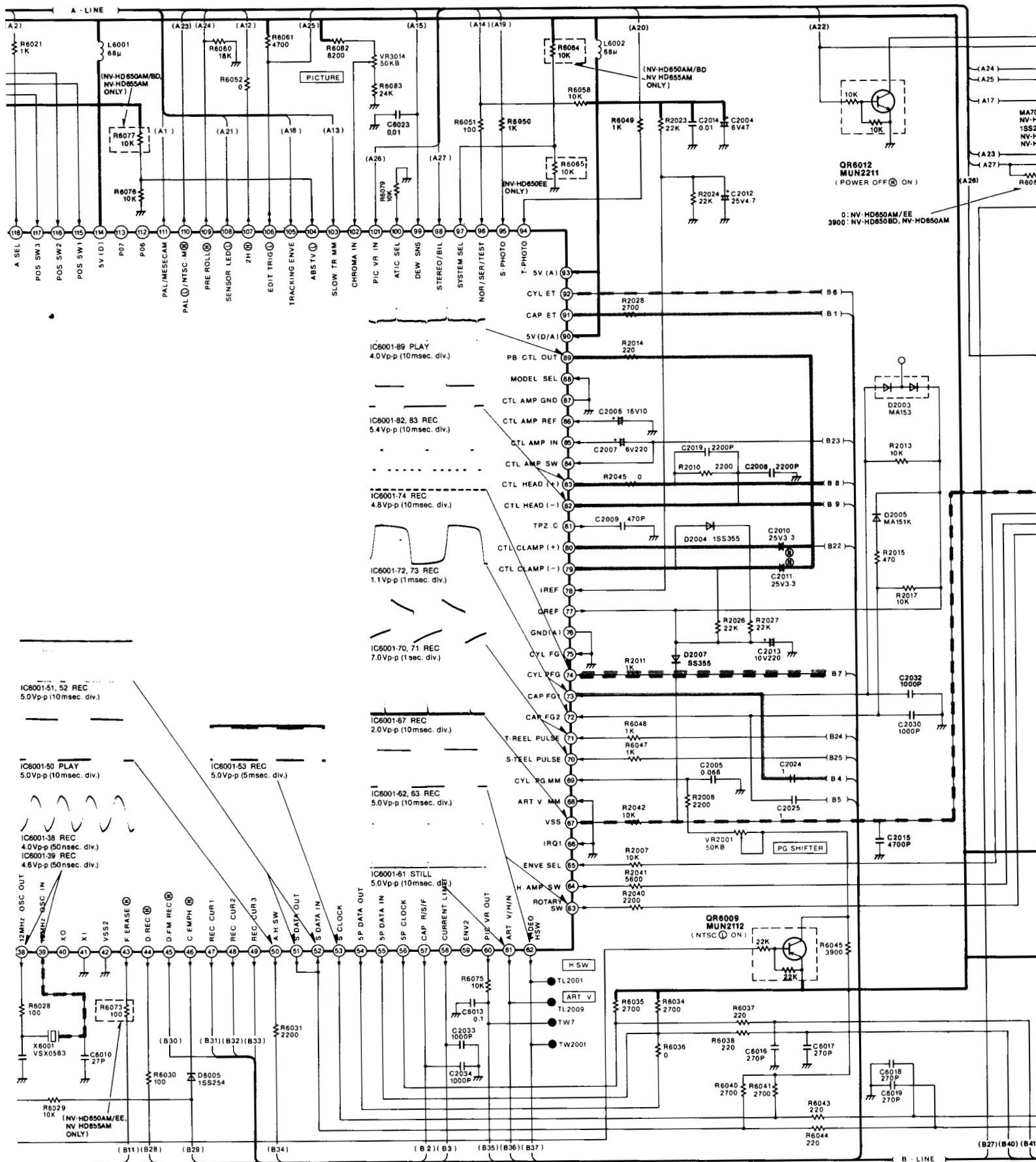


SCHEMATIC DIAGRAM

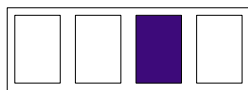
CAPSTAN SERVO SPEAKER



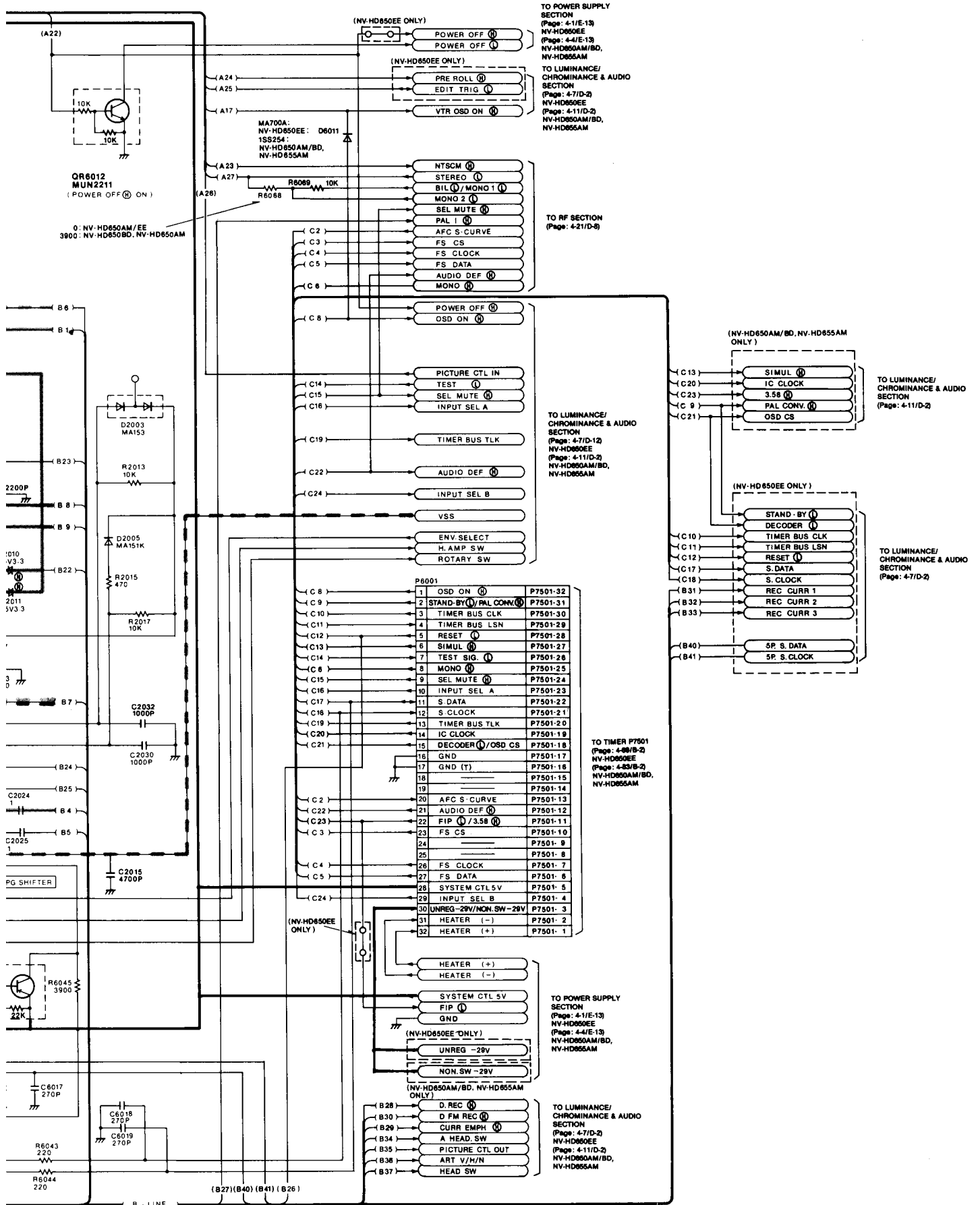
N SERVO SPEED LOOP — CAPSTAN SERVO PHASE LOOP — CYLINDER SERVO SPEED LOOP



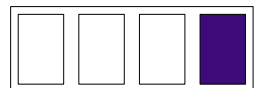
11 12 13 14 15 16



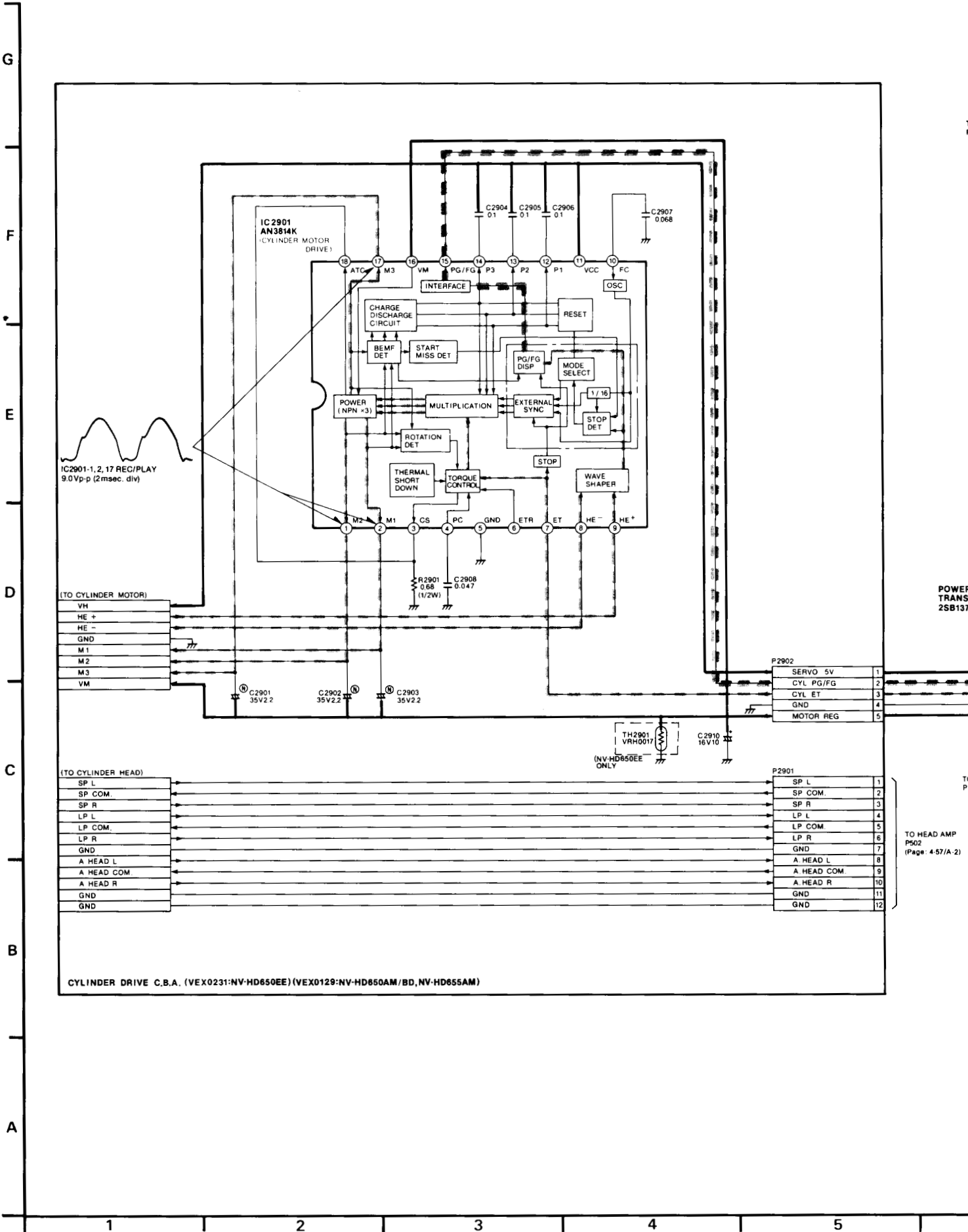
R SERVO SPEED LOOP --- CYLINDER SERVO PHASE LOOP



NOTE: DO NOT USE ANY PART NUMBER SHOWN ON THIS SCHEMATIC DIAGRAM FOR ORDERING. WHEN YOU ORDER A PART, PLEASE REFER TO PARTS LIST.

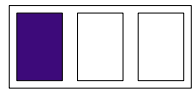


4-9. MOTOR DRIVE & SUB AUDIO PACK SCHEMATIC DIAGRAM



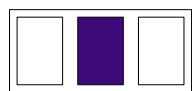
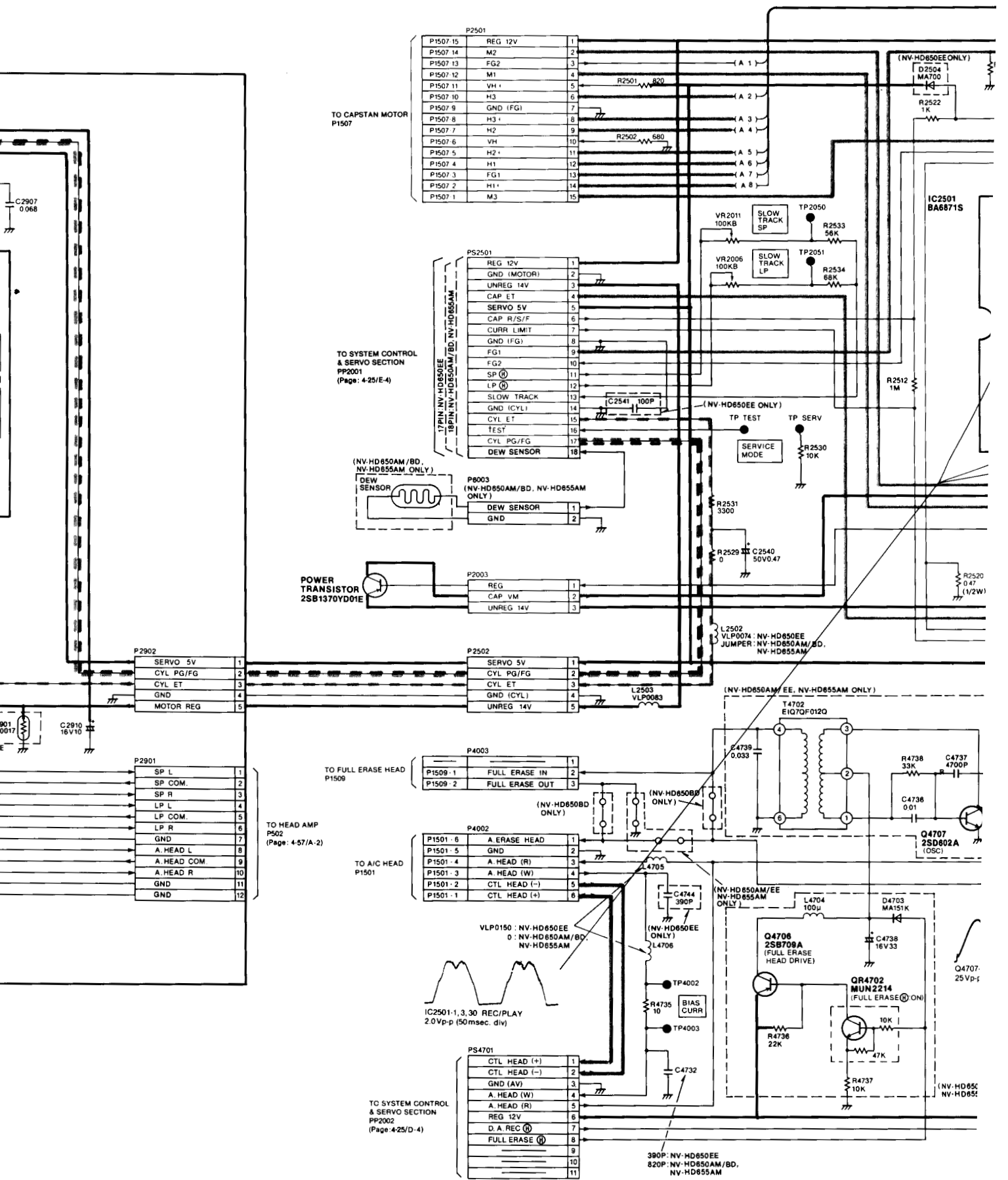
POWER TRANS 2SB137

TO HEAD AMP P502 (Page: 4-57/A-2)

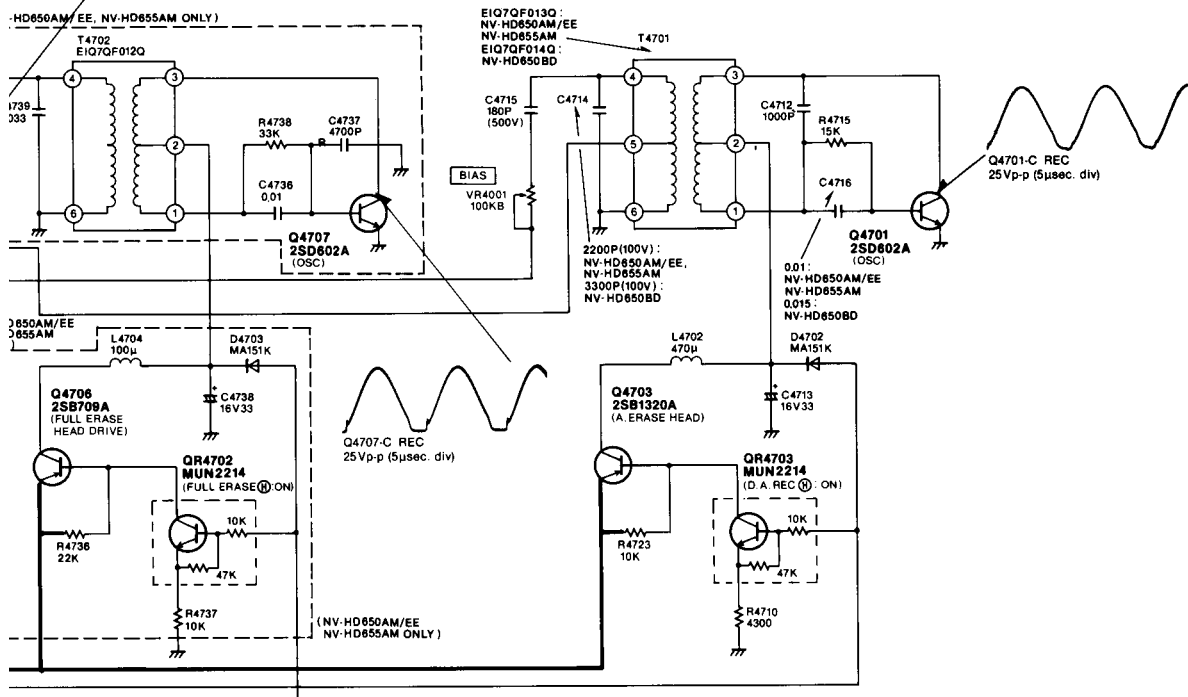
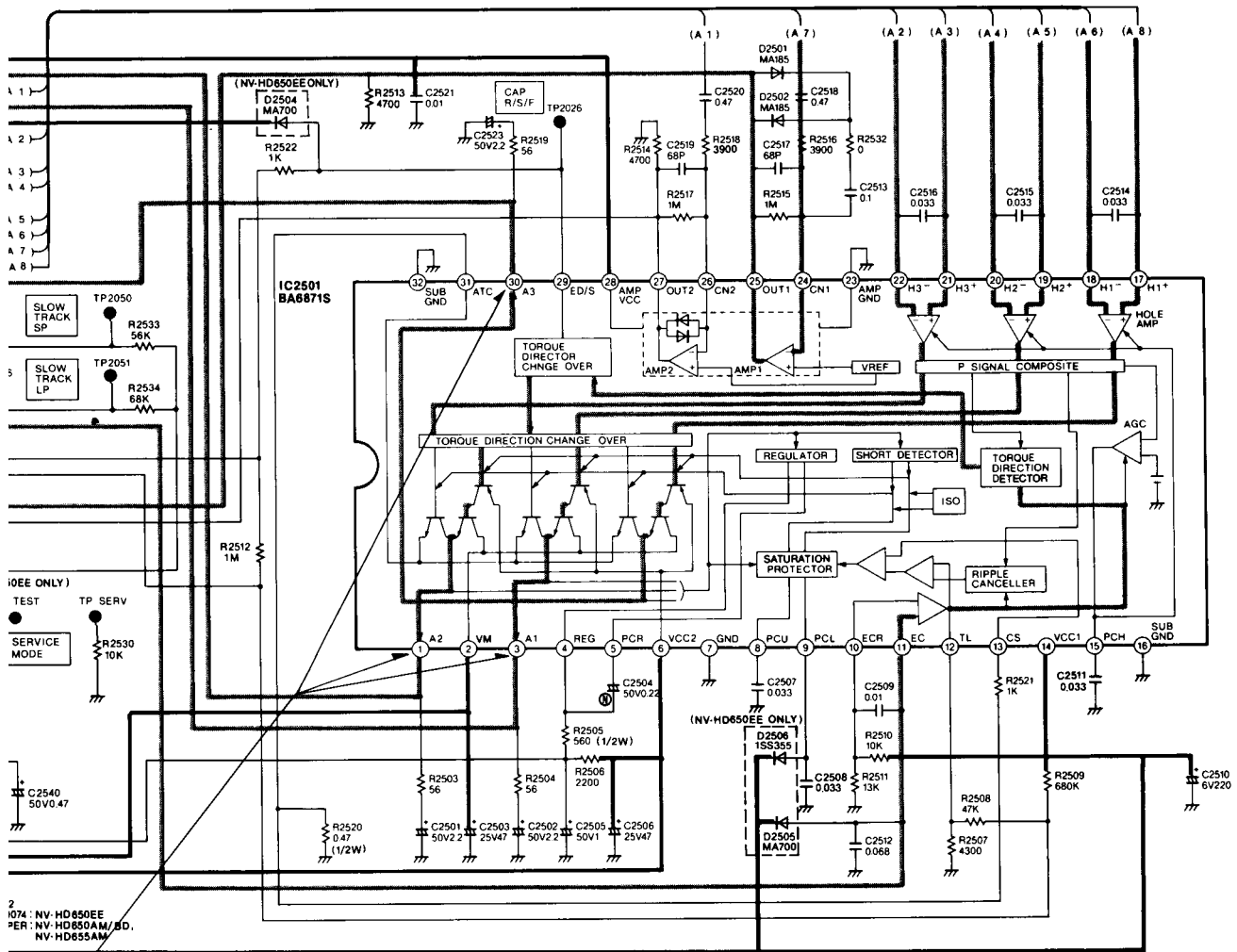


WIRING DIAGRAM

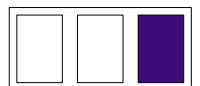
CAPSTAN SERVO
CYLINDER SERVO



——— CAPSTAN SERVO SPEED LOOP ——— CAPSTAN SERVO PHASE LOOP
 - - - CYLINDER SERVO SPEED LOOP - - - CYLINDER SERVO PHASE LOOP



NOTE: DO NOT USE ANY PART NUMBER SHOWN ON THIS SCHEMATIC DIAGRAM FOR ORDERING. WHEN YOU ORDER A PART, PLEASE REFER TO PARTS LIST.



MOTOR DRIVE & SUB AUDIO PACK ICs DC VOLTAGE CHART (SP MODE)

REF. NO.	IC2501																			
MODE	1	2	3	4	5	6	7	8	9	10	11	12	13	14	15	16	17	18	19	20
STOP	0.6	4.4	0.6	13.2	0.1	13.9	0	4.5	0.7	2.8	0.2	0.4	0	4.9	1.5	0	2.3	2.3	2.3	2.2
PLAY	2.6	4.3	2.6	12.4	1.9	13.6	0	0.7	0.7	2.8	2.5	0.4	0.1	4.9	1.5	0	2.3	2.3	2.3	2.3
REC	2.7	4.3	2.7	12.4	2.0	13.6	0	0.7	0.7	2.8	2.5	0.4	0.1	5.0	1.5	0	2.3	2.3	2.3	2.3
F.F	7.5	13.4	7.5	4.3	11.6	13.5	0.1	0.8	0.8	2.8	2.0	0.5	0.2	4.9	1.5	0	2.3	2.3	2.3	2.3
REW	7.0	13.5	7.0	6.9	11.7	13.6	0	0.7	0.8	2.8	2.3	0.5	0.1	4.9	1.5	0	2.3	2.3	2.3	2.3

REF. NO.	IC2501											
MODE	21	22	23	24	25	26	27	28	29	30	31	32
STOP	2.2	2.3	0	6.3	6.3	6.3	6.3	12.3	2.0	0.6	0	0
PLAY	2.3	2.3	0	6.3	6.3	6.3	6.3	12.3	0	2.6	0	0
REC	2.3	2.3	0	6.3	6.3	6.3	6.3	12.3	0	2.6	0.1	0
F.F	2.3	2.3	0	6.3	6.3	6.3	6.3	12.3	0	7.5	0.2	0
REW	2.3	2.3	0	6.3	6.3	6.3	6.3	12.3	4.9	7.4	0.2	0

REF. NO.	IC2901																	
MODE	1	2	3	4	5	6	7	8	9	10	11	12	13	14	15	16	17	18
STOP	13.1	13.1	0.1	0.6	0	2.5	2.4	2.6	2.5	2.6	4.9	3.7	3.6	3.7	1.3	13.8	13.3	0.1
PLAY	13.8	12.8	0.2	0.6	0	2.5	2.4	2.6	2.5	2.7	4.9	3.7	3.7	3.7	1.4	13.6	13.7	0.2
REC	13.7	13.7	0.2	0.6	0	2.5	2.4	2.6	2.5	2.7	4.9	3.8	3.7	3.7	1.5	13.6	13.7	0.2
F.F	13.8	13.8	0.1	0.6	0	2.5	2.4	2.6	2.5	2.7	4.9	3.8	3.7	3.7	1.5	13.5	13.7	0.1
REW	13.8	13.8	0.2	0.6	0	2.5	2.4	2.6	2.5	2.7	4.9	3.7	3.7	3.7	1.5	13.5	13.7	0.2

MOTOR DRIVE & SUB AUDIO PACK PINs DC VOLTAGE CHART (SP MODE)

REF. NO.	PS2501																
MODE	1	2	3	4	5	6	7	8	9	10	11	12	13	14	15	16	17
STOP	12.3	0	13.8	0.2	4.9	2.0	4.9	0	6.3	6.3	4.4	0	0	0	2.4	5.0	1.4
PLAY	12.3	0	13.6	2.5	4.9	0	4.9	0	6.3	6.3	4.4	0	0	0	2.4	4.9	1.4
REC	12.3	0	13.6	2.5	4.9	0	4.9	0	6.3	6.3	4.4	0	0	0	2.4	4.9	1.4
F.F	12.3	0	13.5	2.1	4.9	0	4.9	0	6.3	6.3	4.4	0	0	0	2.4	4.9	1.4
REW	12.3	0	13.5	2.1	4.9	4.9	4.9	0	6.3	6.3	4.4	0	0	0	2.4	4.9	1.4

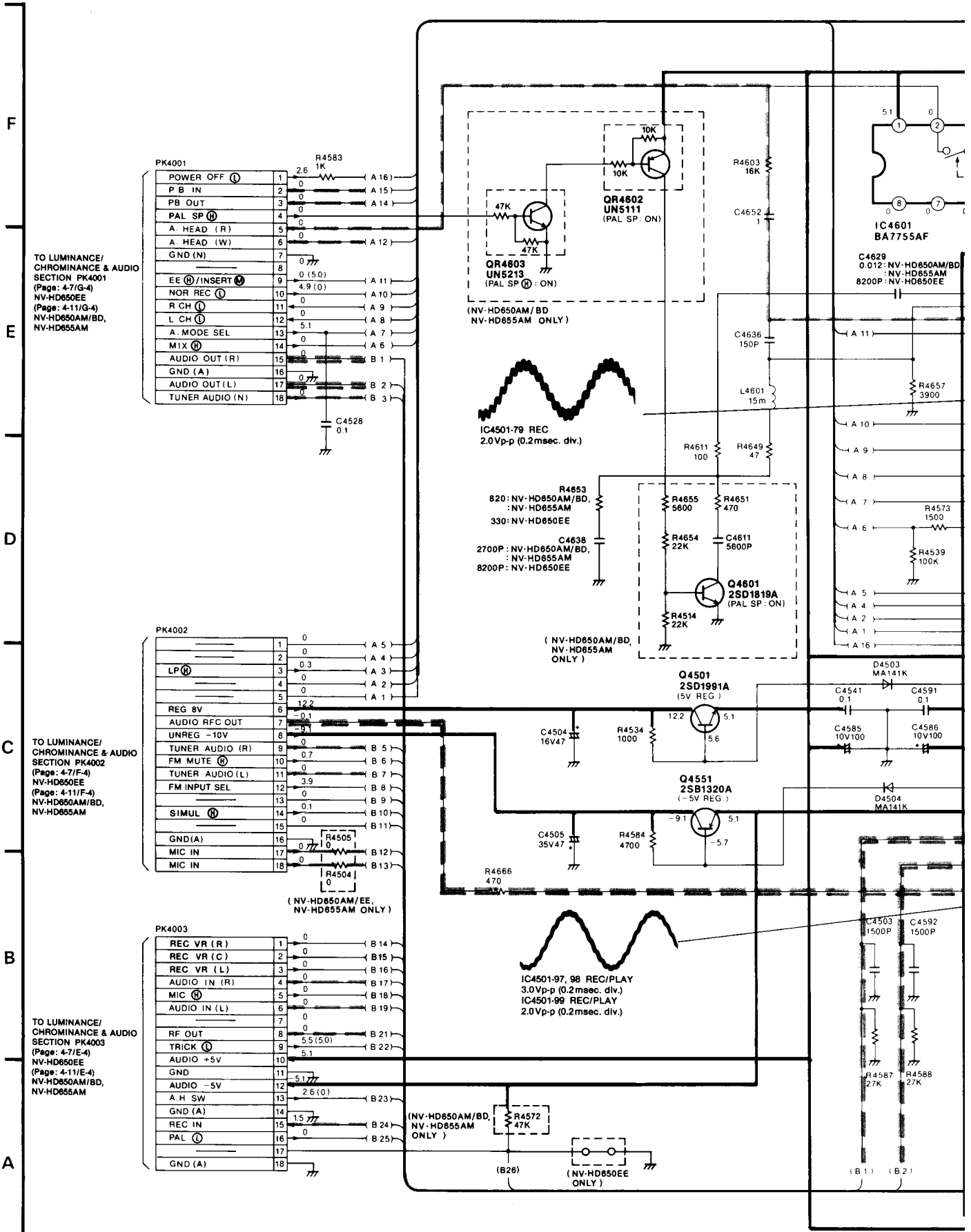
REF. NO.	PS4701										
MODE	1	2	3	4	5	6	7	8	9	10	11
STOP	0	0	0	0	0	12.3	0	0	0	4.9	0
PLAY	0	0	0	0	0	12.3	0	0	0	4.9	0
REC	3.5	3.5	0	0	0	12.3	4.9	4.7	0	4.9	0
F.F	0	0	0	0	0	12.3	0	0	0	4.9	0
REW	0	0	0	0	0	12.3	0	0	0	4.9	0

MOTOR DRIVE & SUB AUDIO PACK TR.s DC VOLTAGE CHART (SP MODE)

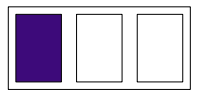
REF. NO.	Q4701			Q4703			Q4706			Q4707		
MODE	E	C	B	E	C	B	E	C	B	E	C	B
STOP	0	0.2	0.2	12.3	0.3	12.3	12.5	0.4	12.5	0	0.4	0.3
PLAY	0	0.3	0.3	12.3	0.3	12.3	12.5	0.4	12.5	0	0.4	0.3
REC	0	11.3	-1.4	12.3	11.9	11.9	12.5	12.5	11.7	0	12.2	0
F.F	0	0.3	0.3	12.3	0.3	12.3	12.5	0.4	12.5	0	0.4	0.3
REW	0	0.3	0.3	12.3	0.3	12.3	12.5	0.4	12.5	0	0.4	0.3

REF. NO.	QR4702			QR4703		
MODE	E	C	B	E	C	B
STOP	0	12.5	0	0	12.3	0
PLAY	0	12.5	0	0	12.3	0
REC	3.6	11.7	4.7	4.1	11.5	4.9
F.F	0	12.5	0	0	12.3	0
REW	0	12.5	0	0	12.3	0

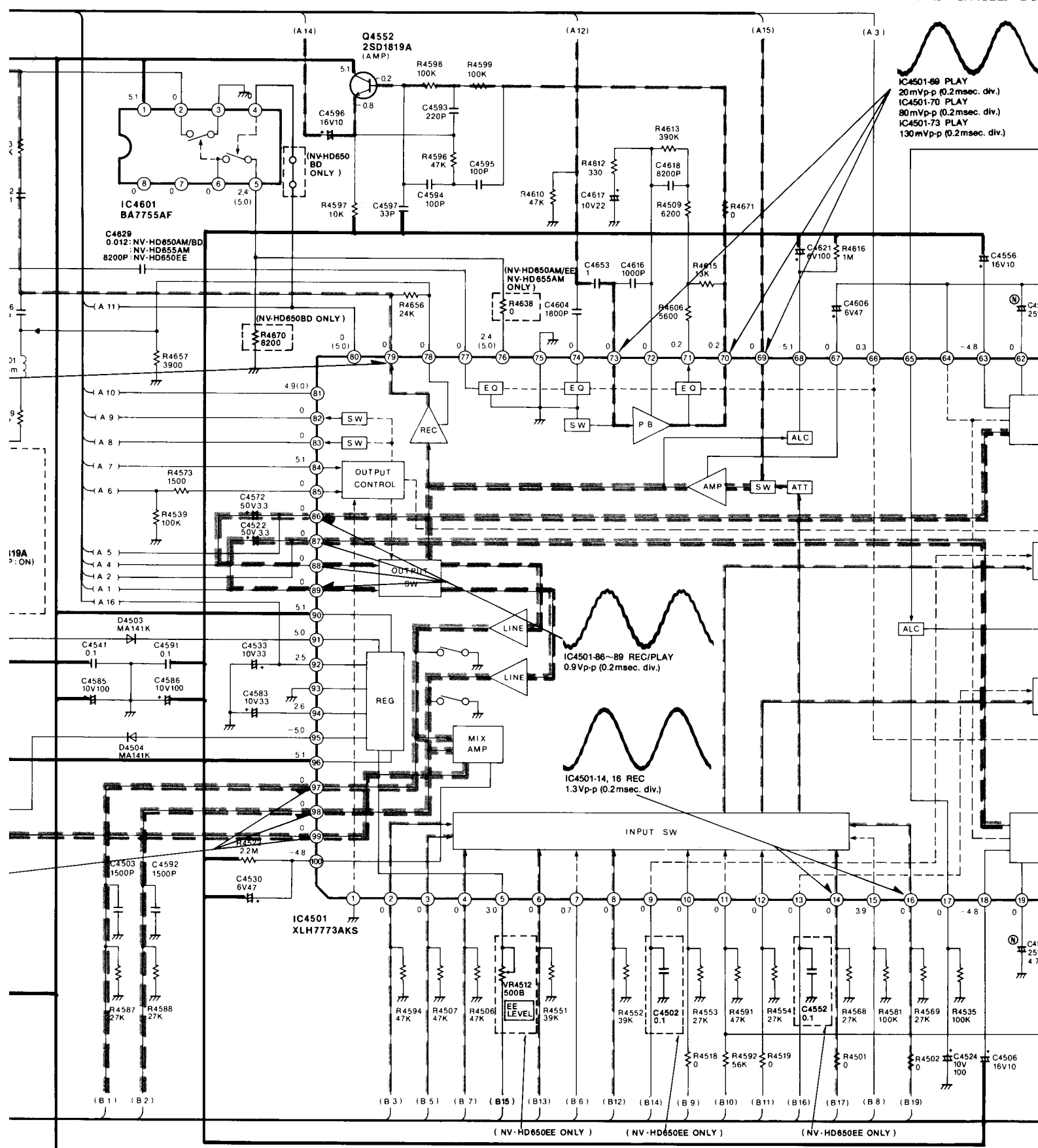
4-11. Hi-Fi AUDIO PACK SCHEMATIC DIAGRAM



NOTE: THE MEASUREMENTS
WITH PAL COLOR



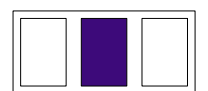
MAIN SIGNAL PA



NOTE: THE MEASUREMENT MODE OF THE DC VOLTAGE IN THE BRACKETS () ON THIS DIAGRAM IS RECORD MODE WITH PAL COLOUR SIGNAL. (SP MODE)

THE MEASUREMENT MODE OF THE DC VOLTAGE OUT OF THE BRACKETS ON THIS D WITH PAL COLOUR SIGNAL. (SP MODE)

5 6 7 8 9



SIGNAL PATH IN REC MODE

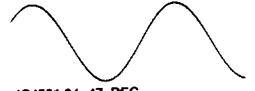
MAIN SIGNAL PATH IN PLAYBACK MODE



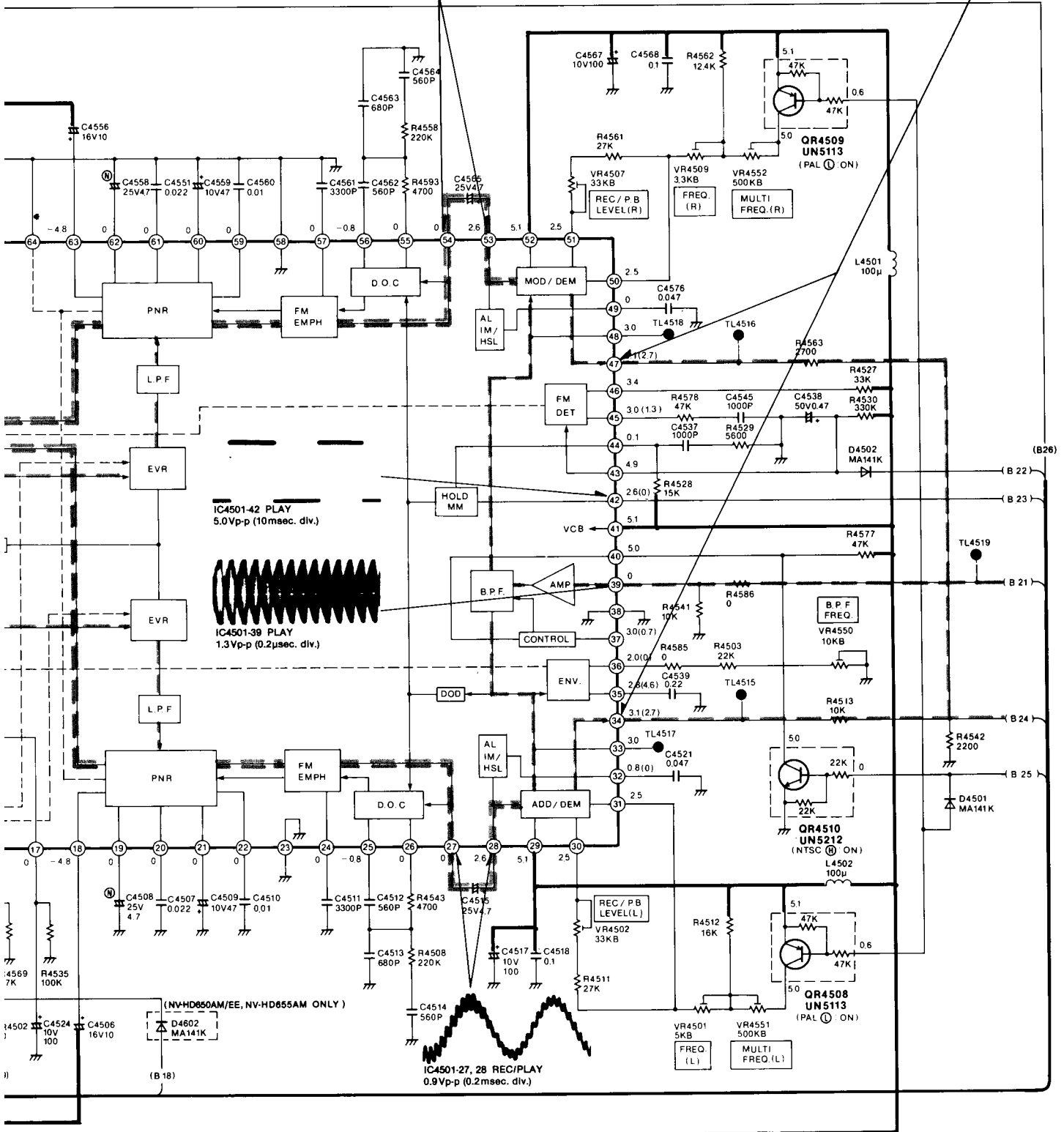
IC4501-69 PLAY
p-p (0.2msec. div.)
IC4501-70 PLAY
p-p (0.2msec. div.)
IC4501-73 PLAY
Vp-p (0.2msec. div.)



IC4501-53, 54 REC/PLAY
0.9Vp-p (0.2msec. div.)



IC4501-34, 47 REC
0.3Vp-p (0.2msec. div.)



IF THE BRACKETS ON THIS DIAGRAM IS PLAYBACK MODE

• LINE IN SIGNAL LEVEL... 10dB 1kHz

NOTE: DO NOT USE ANY PART NUMBER SHOWN ON THIS SCHEMATIC DIAGRAM FOR ORDERING. WHEN YOU ORDER A PART, PLEASE REFER TO PARTS LIST.

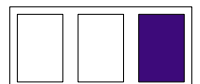
9

10

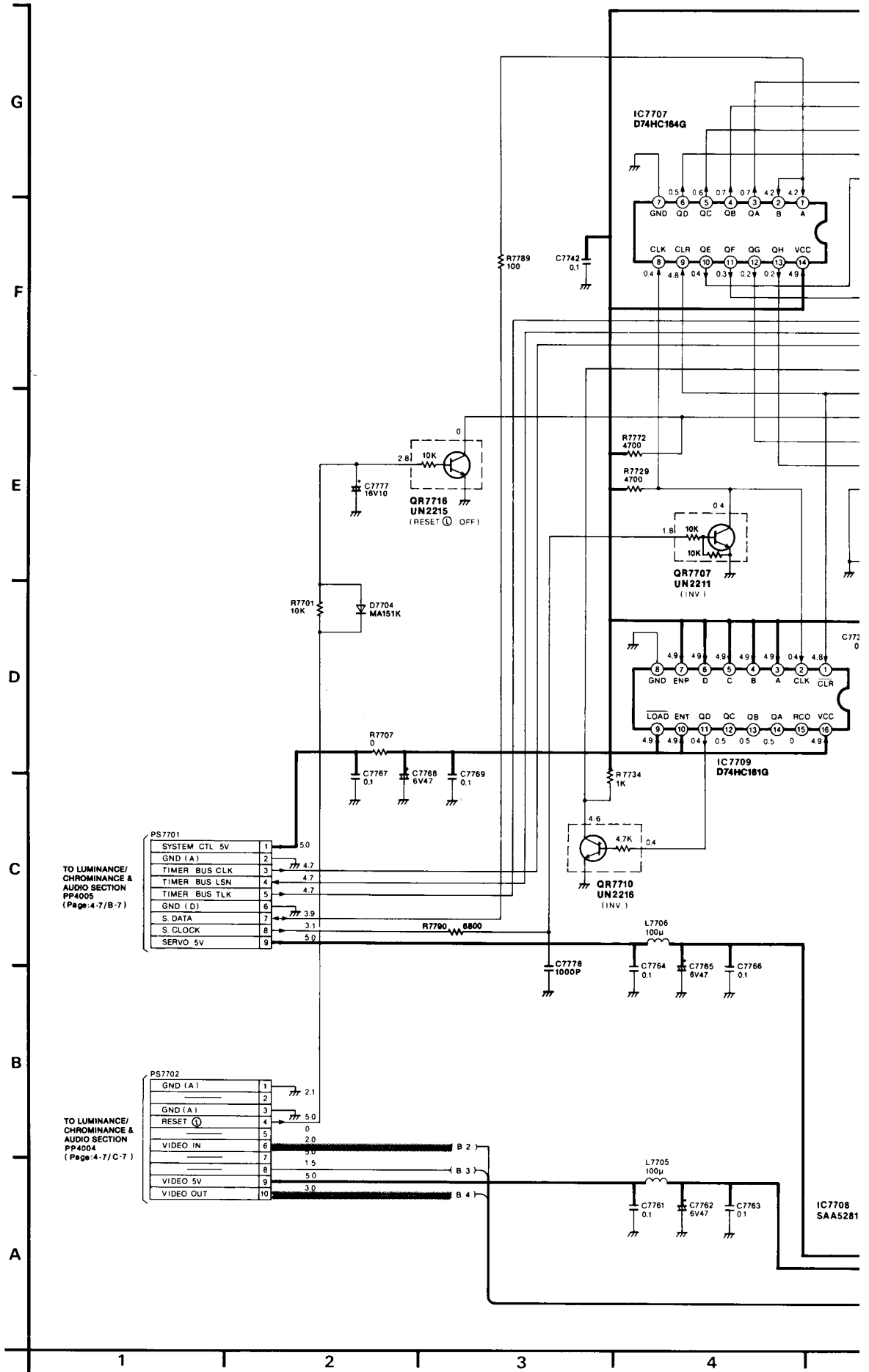
11

12

13

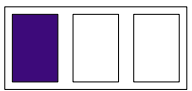


4-13. OSD PACK SCHEMATIC DIAGRAM (NV-HD650EE)

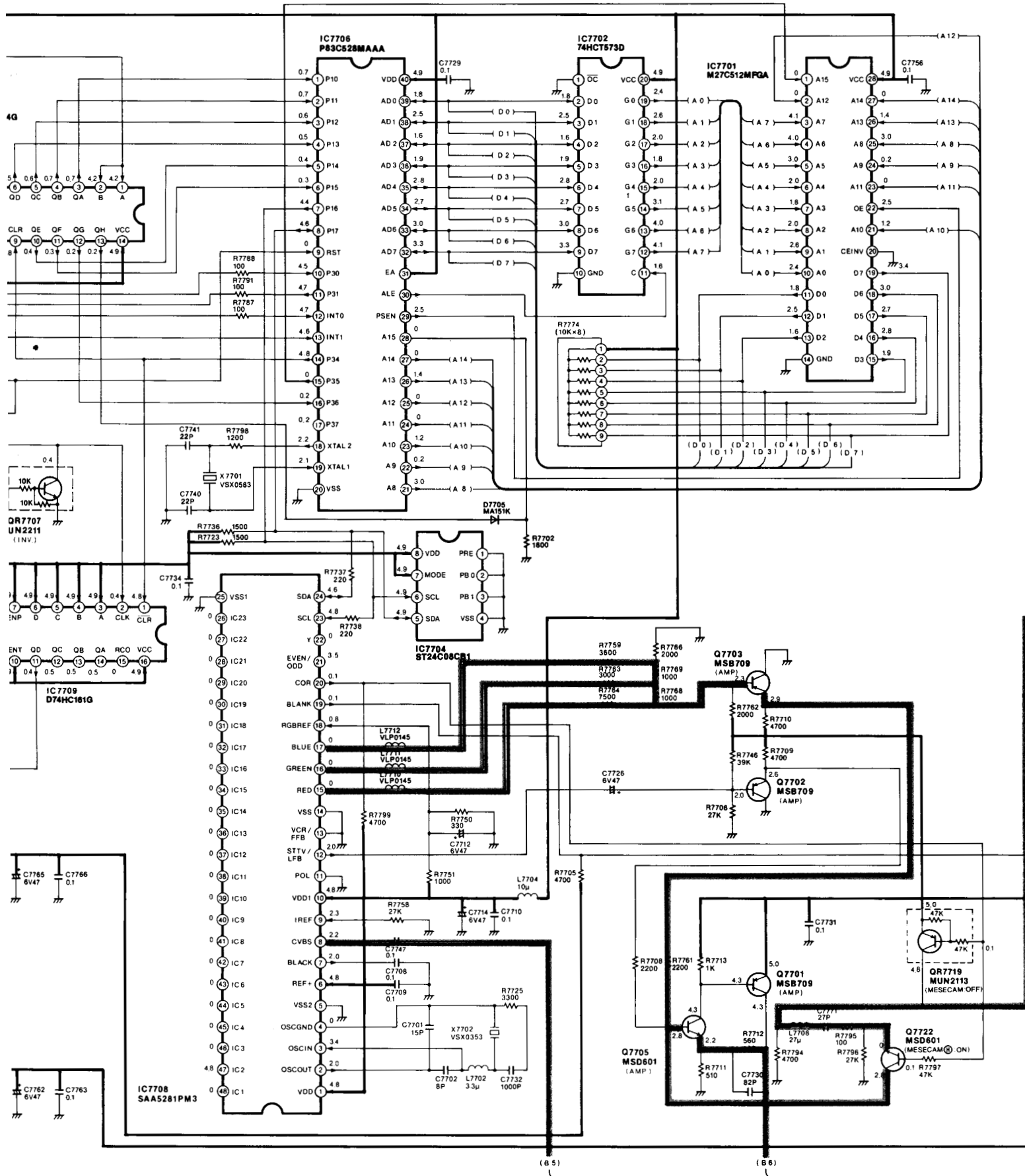


TO LUMINANCE/
CHROMINANCE &
AUDIO SECTION
PP4005
(Page:4-7/B-7)

TO LUMINANCE/
CHROMINANCE &
AUDIO SECTION
PP4004
(Page:4-7/C-7)



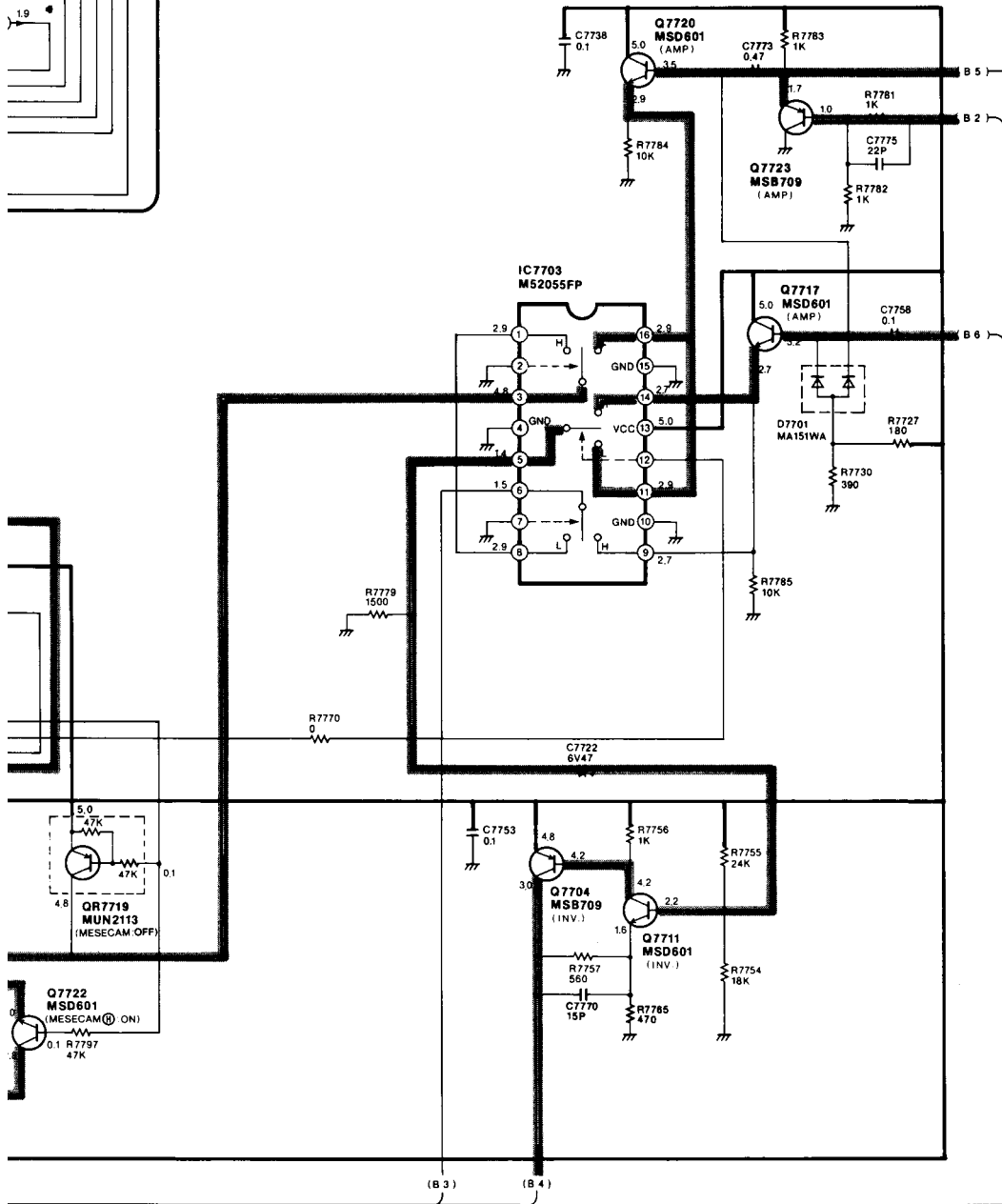
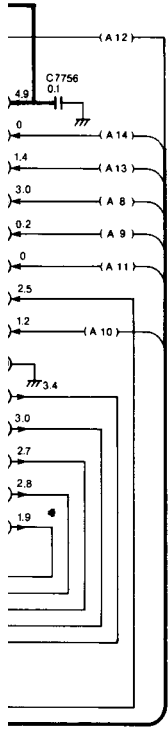
ID650EE)



NOTE: THE MEASUREMENT MODE OF THE DC VOLTAGE ON THIS DIAGRAM IS STOP MODE.

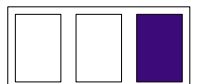


VIDEO MAIN SIGNAL PATH IN REC MODE
 VIDEO MAIN SIGNAL PATH IN PLAYBACK MODE

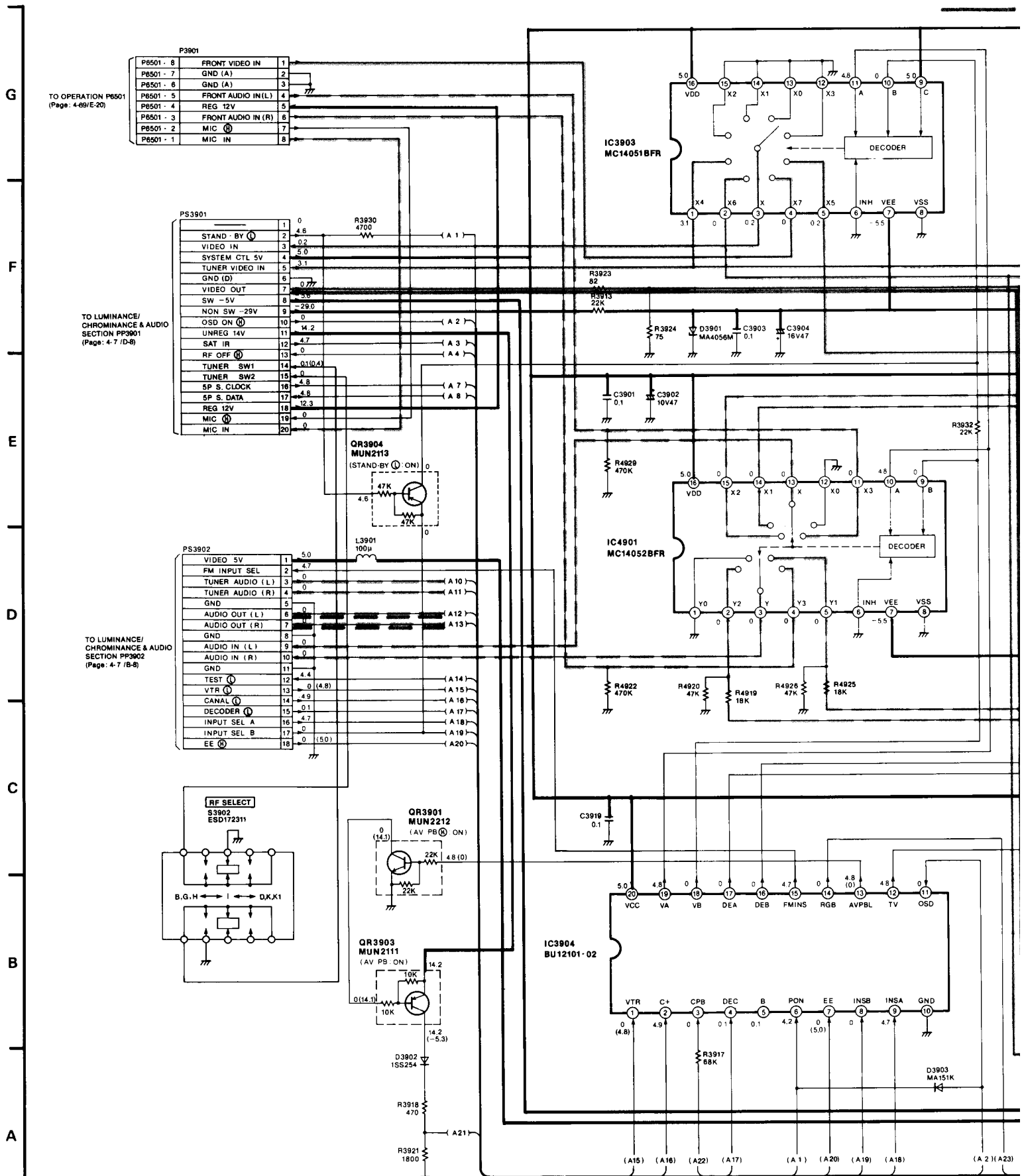


NOTE: DO NOT USE ANY PART NUMBER SHOWN ON THIS SCHEMATIC DIAGRAM FOR ORDERING. WHEN YOU ORDER A PART, PLEASE REFER TO PARTS LIST.

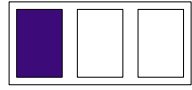
9 | 10 | 11 | 12 | 13



4-16. INPUT/OUTPUT PACK SCHEMATIC DIAGRAM (NV-HD650EE)



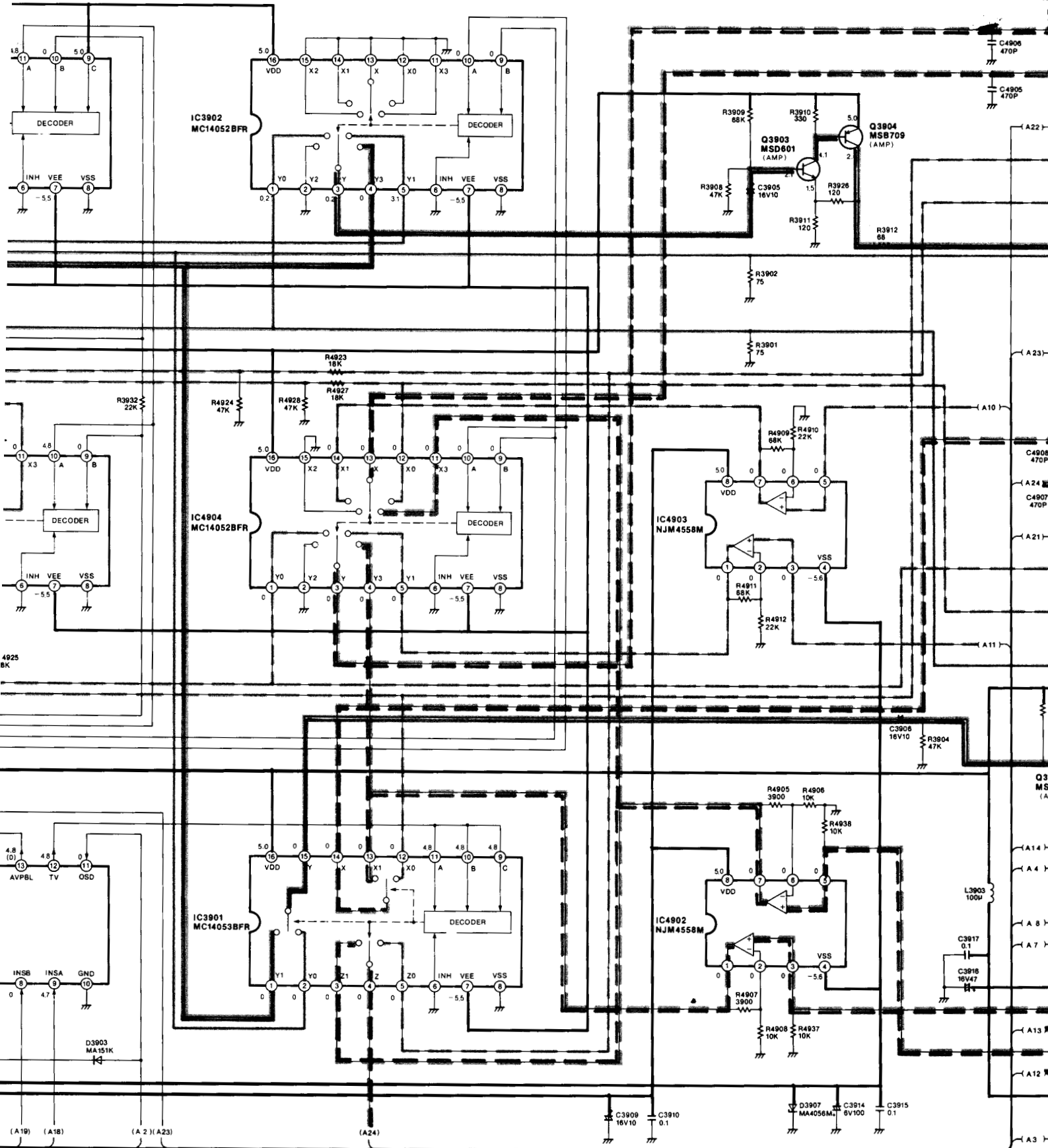
NOTE: THE MEASUREMENT MODE OF THE DC VOLTAGE IN THE BRACKETS () ON THE WITH PAL COLOUR SIGNAL. (SP MODE)



E)

VIDEO MAIN SIGNAL PATH IN REC MODE
VIDEO MAIN SIGNAL PATH IN PLAYBACK MODE

AUDIO MAIN S
AUDIO MAIN S



STAGE IN THE BRACKETS () ON THIS DIAGRAM IS RECORD MODE

THE MEASUREMENT MODE OF THE DC VOLTAGE OUT OF THE BRACKETS ON THIS DIAGRAM IS PLAYBACK MODE WITH PAL COLOUR SIGNAL. (SP MODE)

6

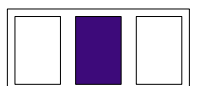
7

8

9

10

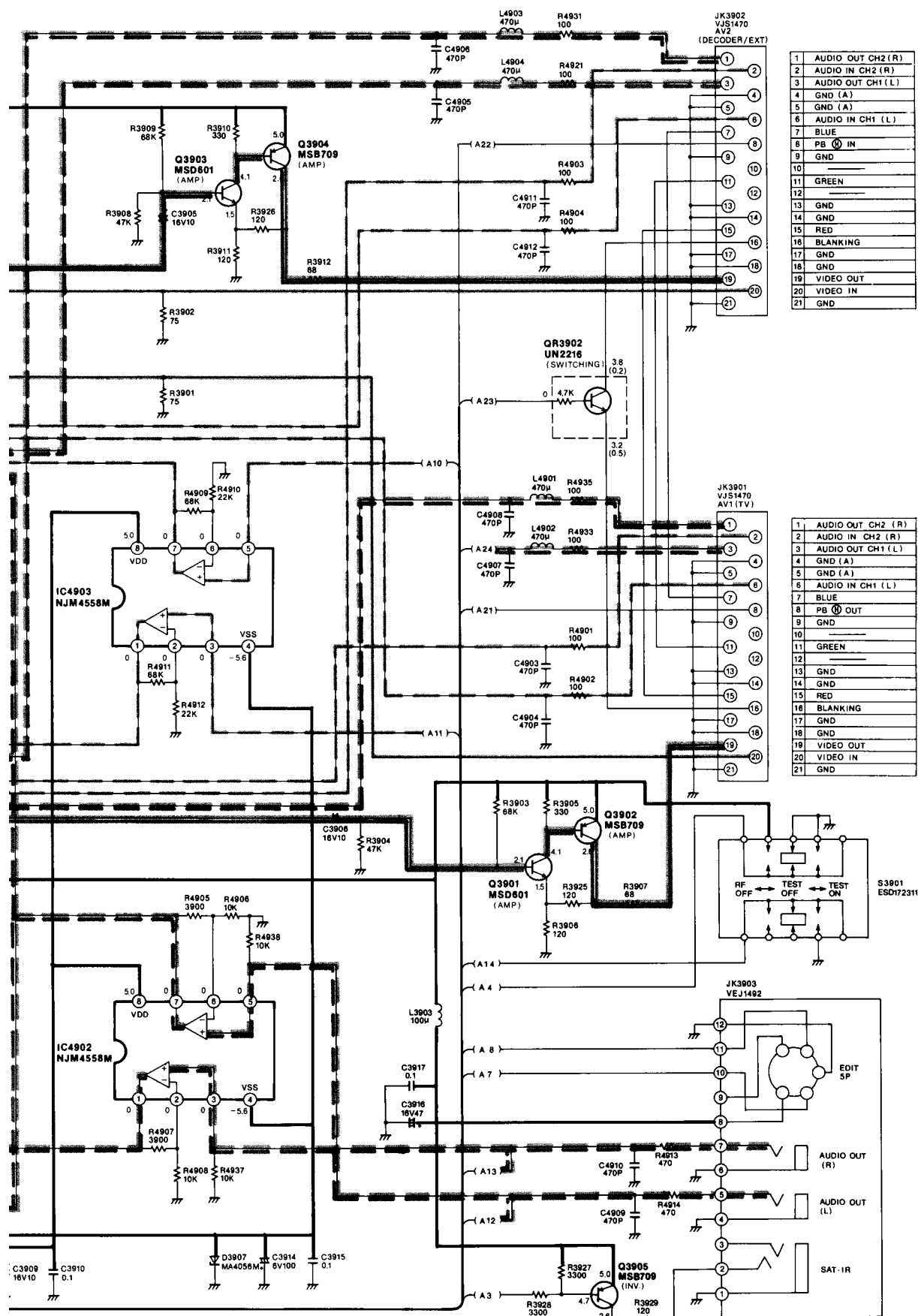
11



DE
CK MODE

020400000 020400000 020400000

AUDIO MAIN SIGNAL PATH IN REC MODE
 --- AUDIO MAIN SIGNAL PATH IN PLAYBACK MODE

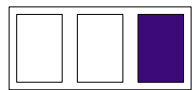


1	AUDIO OUT CH2 (R)
2	AUDIO IN CH2 (R)
3	AUDIO OUT CH1 (L)
4	GND (A)
5	GND (A)
6	AUDIO IN CH1 (L)
7	BLUE
8	PB IN
9	GND
10	
11	GREEN
12	
13	GND
14	GND
15	RED
16	BLANKING
17	GND
18	GND
19	VIDEO OUT
20	VIDEO IN
21	GND

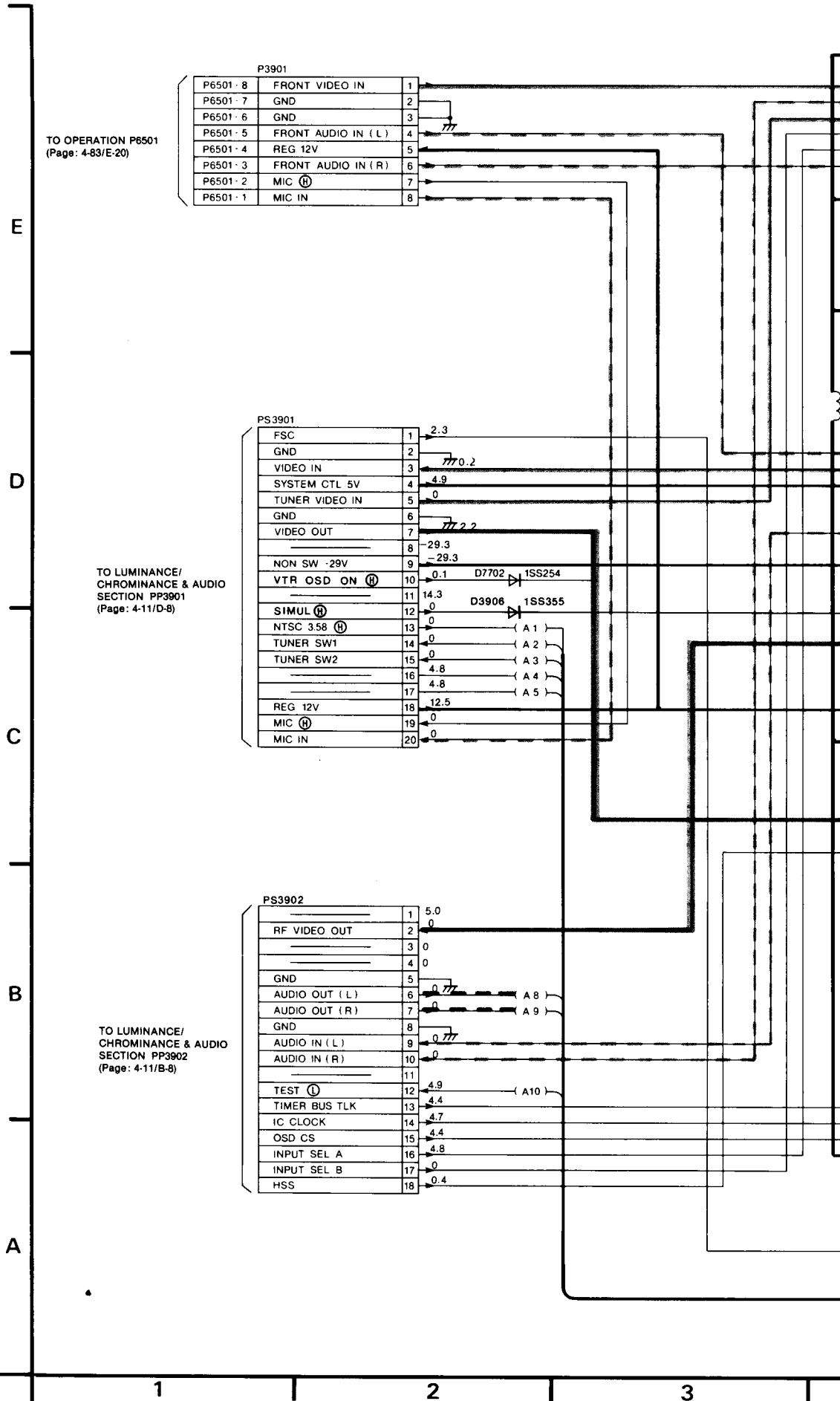
1	AUDIO OUT CH2 (R)
2	AUDIO IN CH2 (R)
3	AUDIO OUT CH1 (L)
4	GND (A)
5	GND (A)
6	AUDIO IN CH1 (L)
7	BLUE
8	PB OUT
9	GND
10	
11	GREEN
12	
13	GND
14	GND
15	RED
16	BLANKING
17	GND
18	GND
19	VIDEO OUT
20	VIDEO IN
21	GND

IF THE BRACKETS ON THIS DIAGRAM IS PLAYBACK MODE

NOTE: DO NOT USE ANY PART NUMBER SHOWN ON THIS SCHEMATIC DIAGRAM FOR ORDERING. WHEN YOU ORDER A PART, PLEASE REFER TO PARTS LIST.



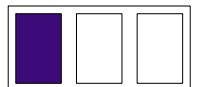
4-17. INPUT/OUTPUT PACK SCHEMATIC DIAGRAM(NV-H)



1

2

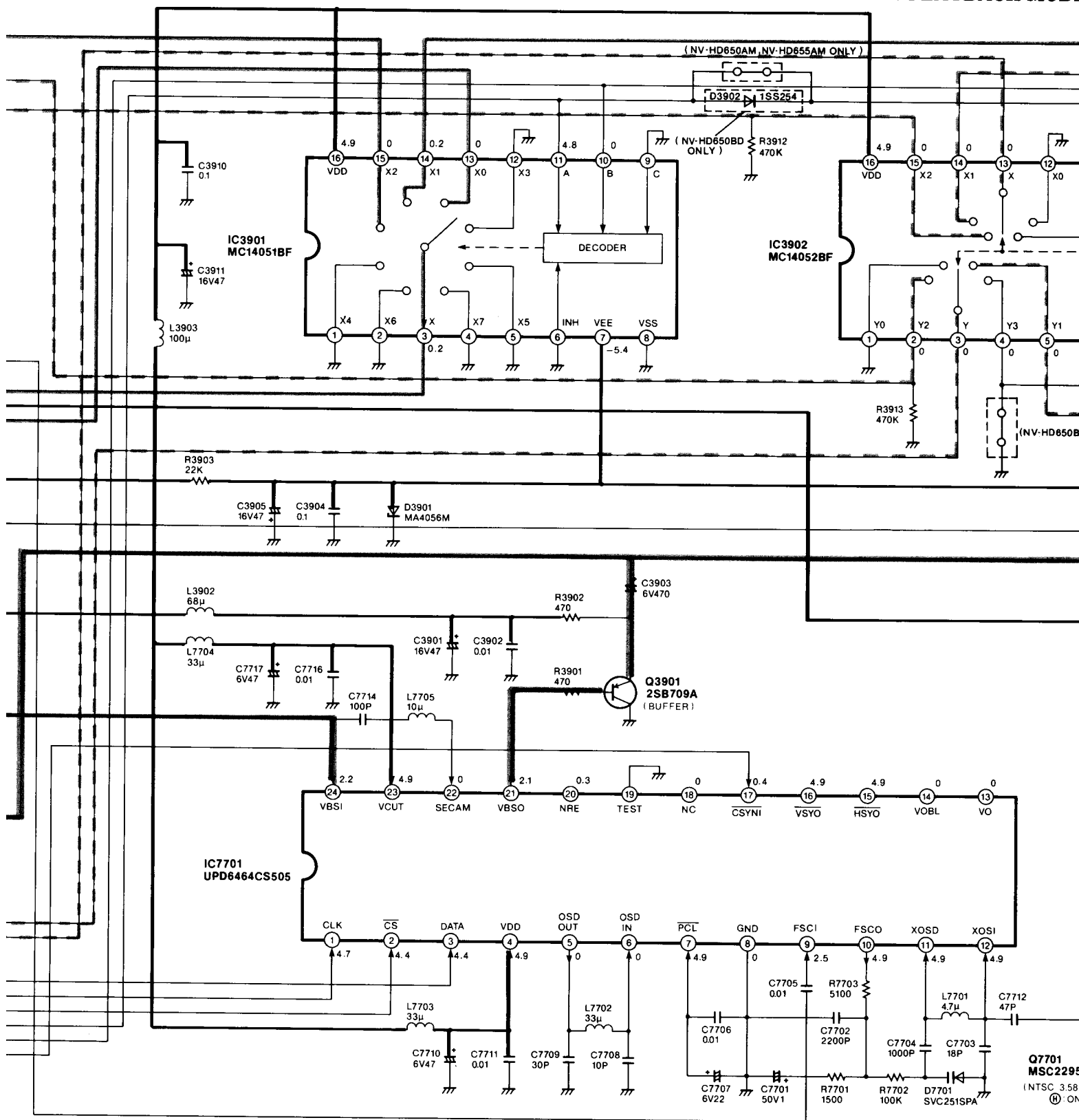
3



GRAM(NV-HD650AM/BD,NV-HD655AM)

VIDEO MAIN SIGNAL PATH IN REC MODE

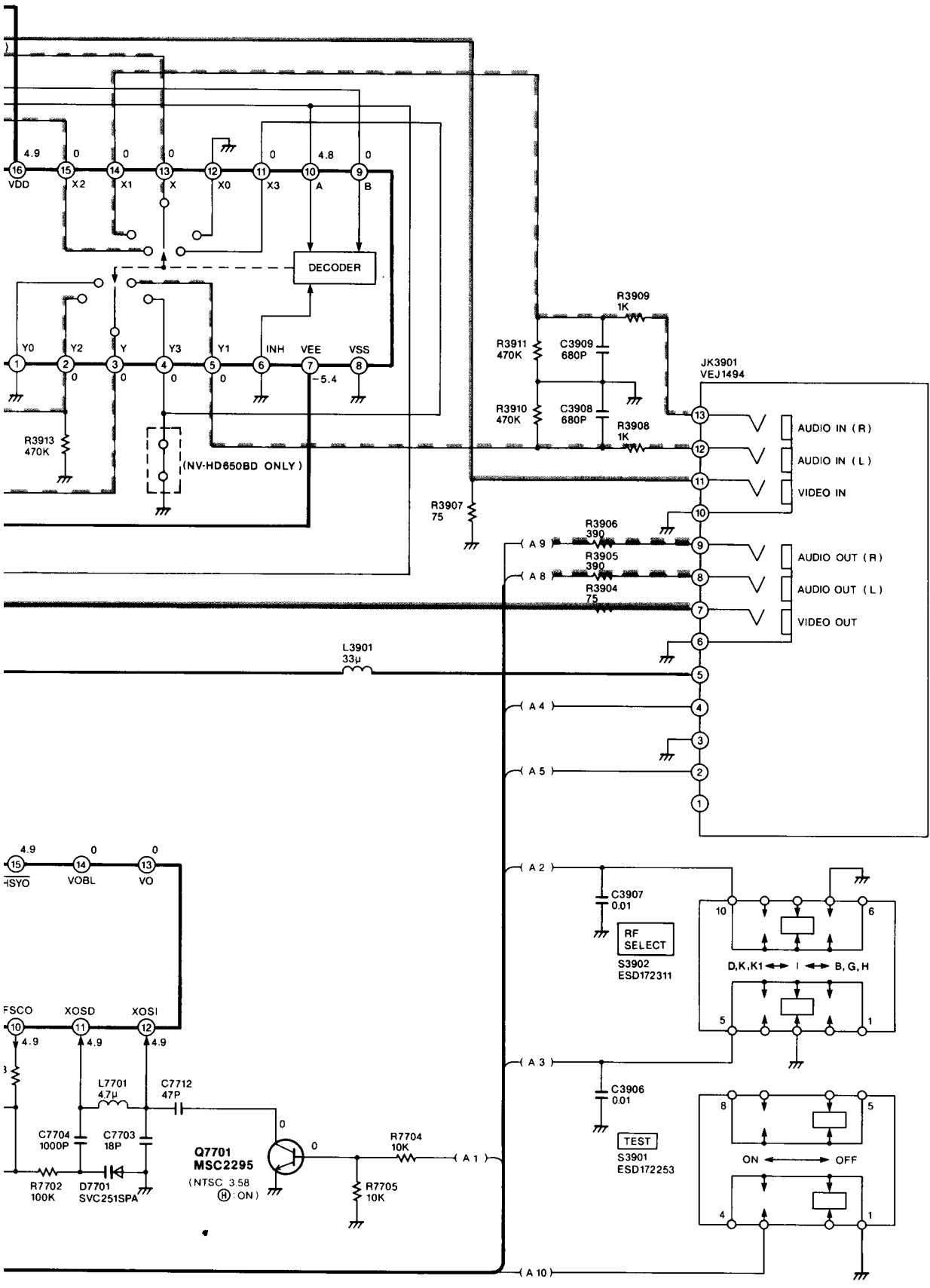
VIDEO MAIN SIGNAL PATH IN PLAYBACK MODE



NOTE: THE MEASUREMENT MODE OF THE DC VOLTAGE IN THE BRACKETS () ON THIS DIAGRAM IS RECORD MODE WITH PAL COLOUR SIGNAL. (SP MODE)
 THE MEASUREMENT MODE OF THE DC VOLTAGE OUT OF THE BRACKETS ON THIS DIAGRAM IS PLAYBACK MODE WITH PAL COLOUR SIGNAL. (SP MODE)

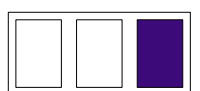
H IN REC MODE
H IN PLAYBACK MODE

--- AUDIO MAIN SIGNAL PATH IN REC MODE
- - - AUDIO MAIN SIGNAL PATH IN PLAYBACK MODE

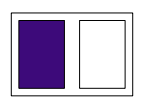
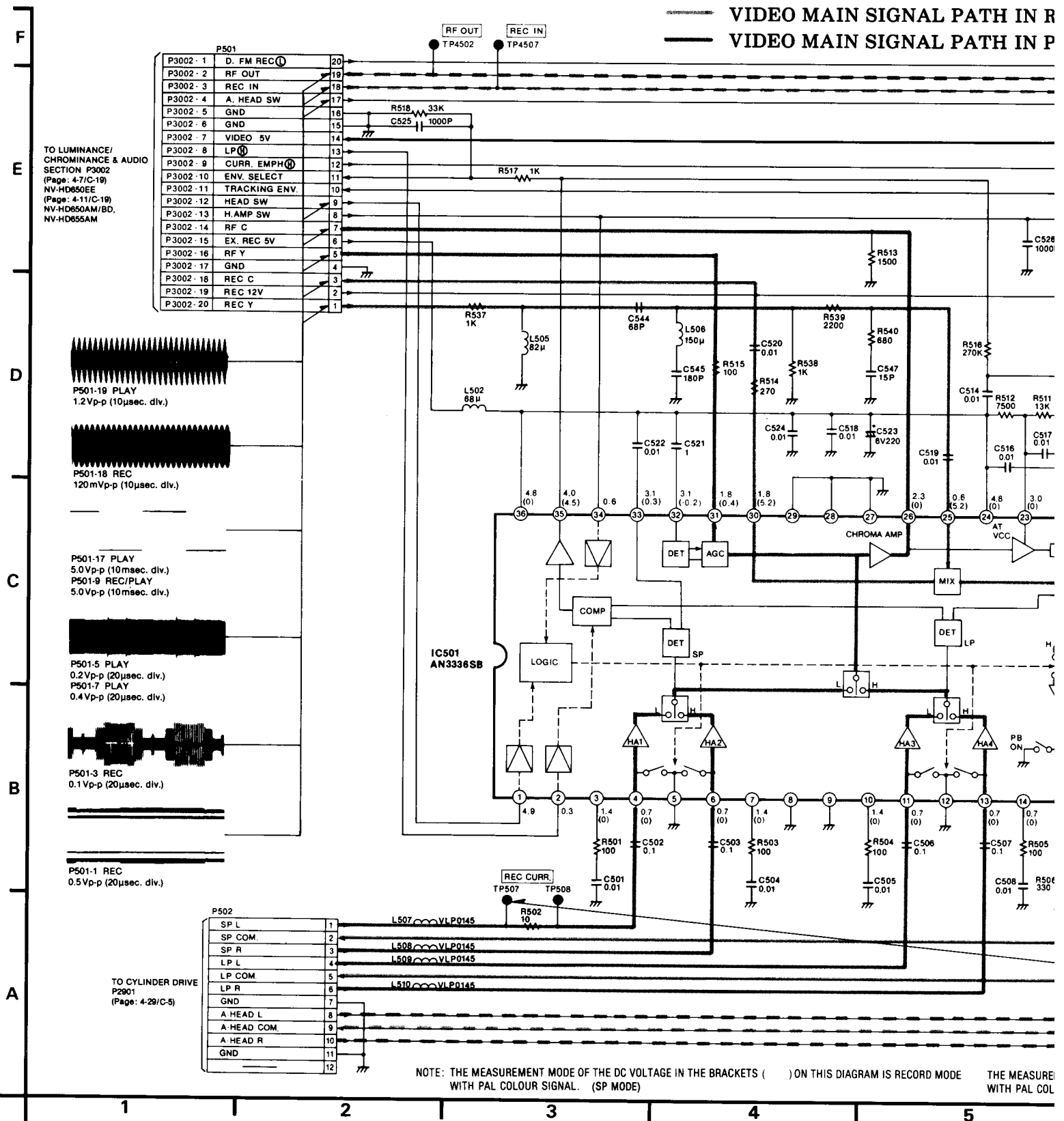


NOTE: DO NOT USE ANY PART NUMBER SHOWN ON THIS SCHEMATIC DIAGRAM FOR ORDERING. WHEN YOU ORDER A PART, PLEASE REFER TO PARTS LIST.

7 | 8 | 9 | 10



4-19. HEAD AMP SCHEMATIC DIAGRAM

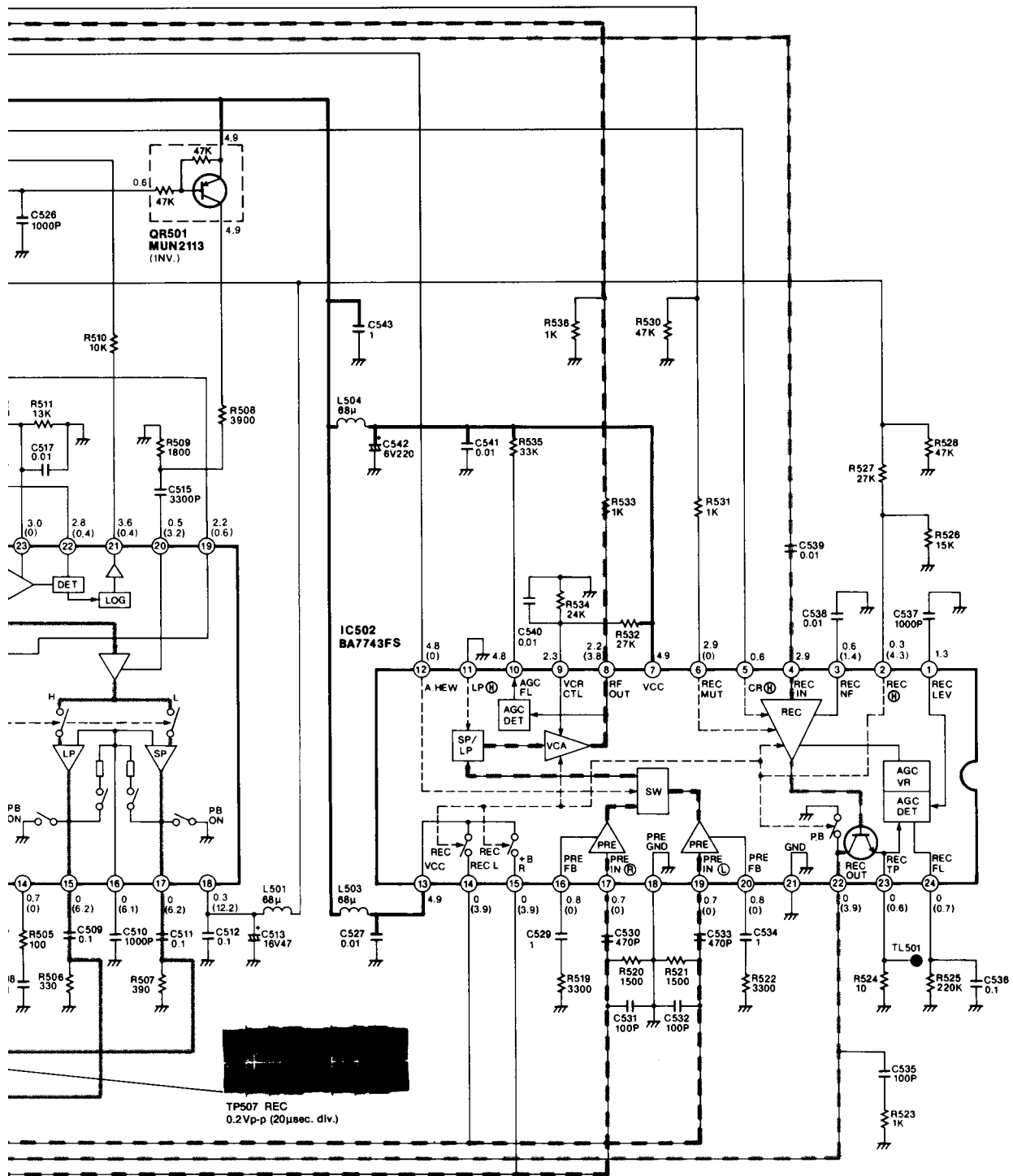


IN REC MODE

----- Hi-Fi AUDIO MAIN SIGNAL PATH IN REC MODE

IN PLAYBACK MODE

- - - - Hi-Fi AUDIO MAIN SIGNAL PATH IN PLAYBACK MODE



MEASUREMENT MODE OF THE DC VOLTAGE OUT OF THE BRACKETS ON THIS DIAGRAM IS PLAYBACK MODE
PAL COLOUR SIGNAL. (SP MODE)

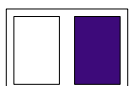
NOTE: DO NOT USE ANY PART NUMBER SHOWN ON THIS SCHEMATIC DIAGRAM FOR ORDERING. WHEN YOU ORDER A PART, PLEASE REFER TO PARTS LIST.

6

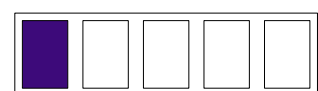
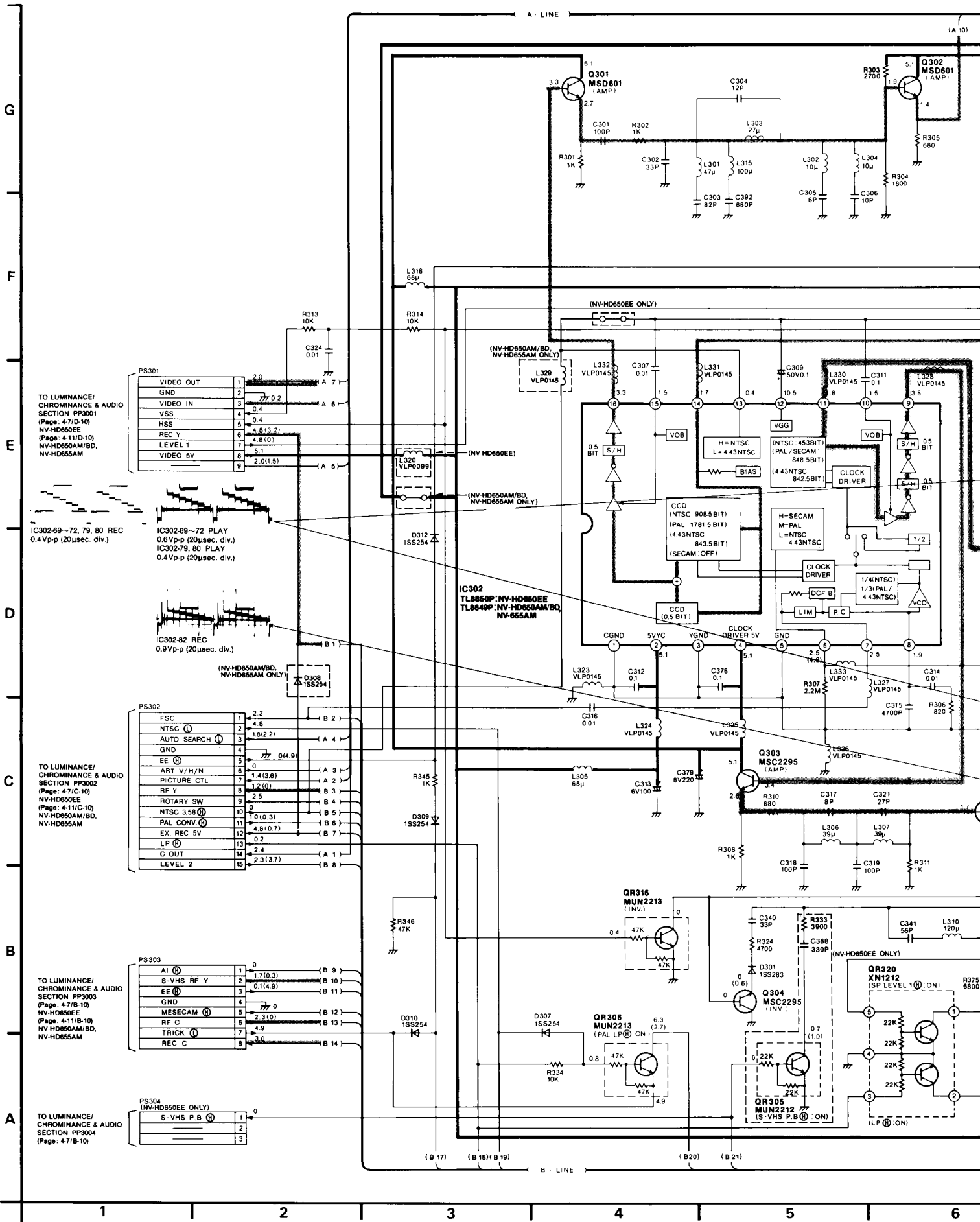
7

8

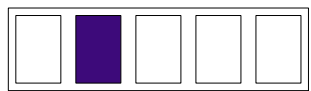
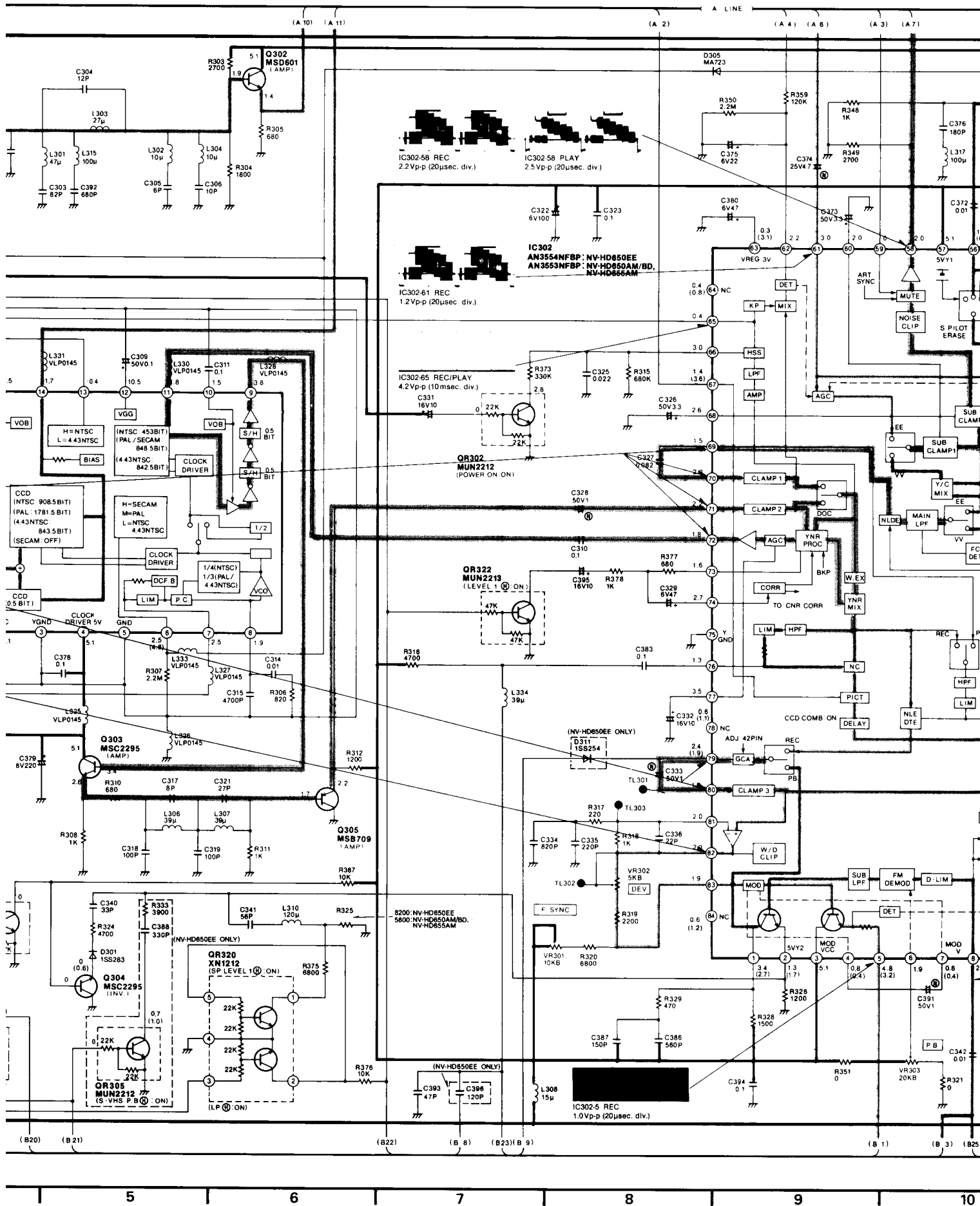
9



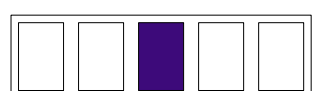
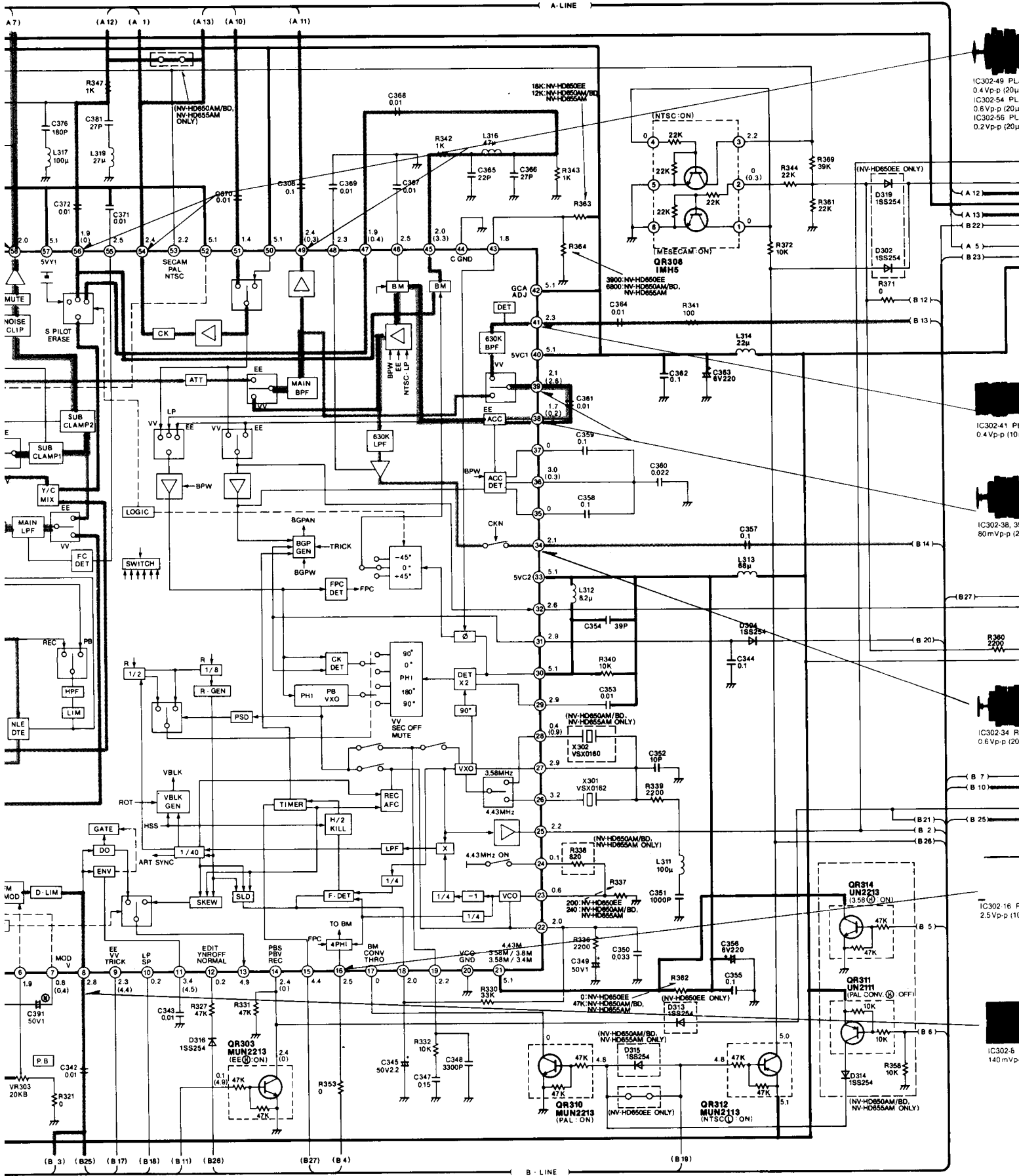
4-21. LUMINANCE & CHROMINANCE PACK SCHEMATIC DIAGRAM



MATIC DIAGRAM



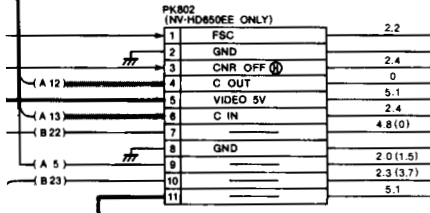
PACK LUMINANCE & CHROMINANCE PACK INPUT/OUTPUT PACK C.B.A. (AM/BD) & HEAD AMP



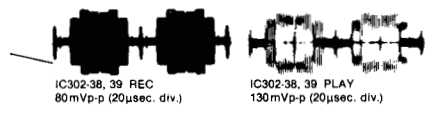
MAIN SIGNAL PATH IN REC
MAIN SIGNAL PATH IN PLAY



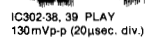
IC302-49 PLAY
 0.4Vp-p (20µsec. div.)
 IC302-54 PLAY
 0.8Vp-p (20µsec. div.)
 IC302-56 PLAY
 0.2Vp-p (20µsec. div.)



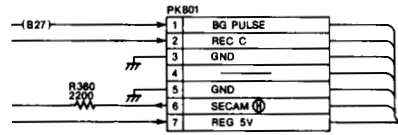
IC302-41 PLAY
 0.4Vp-p (10msec. div.)



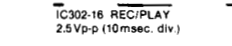
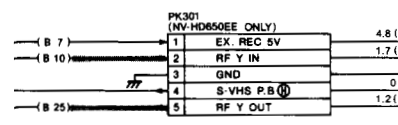
IC302-38, 39 REC
 80mVp-p (20µsec. div.)



IC302-38, 39 PLAY
 130mVp-p (20µsec. div.)



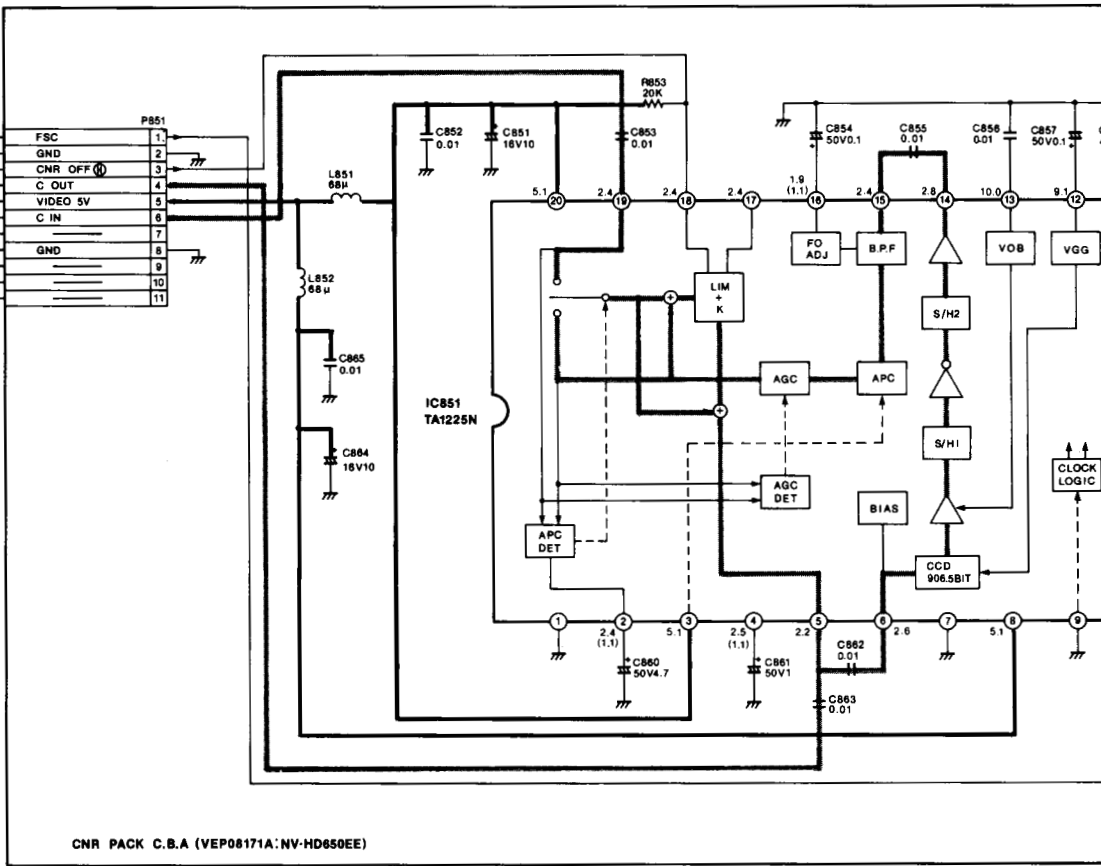
IC302-34 REC
 0.6Vp-p (20µsec. div.)



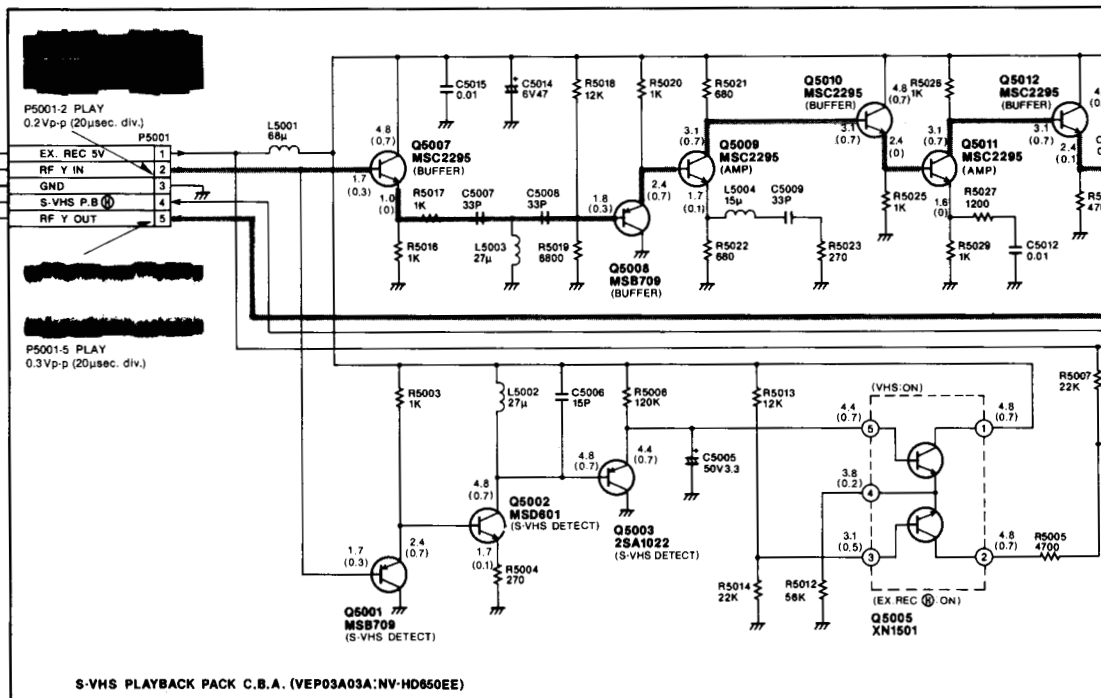
IC302-16 REC/PLAY
 2.5Vp-p (10msec. div.)



IC302-5 PLAY
 140mVp-p (20µsec. div.)



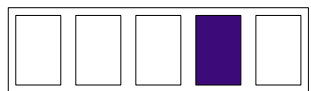
CNR PACK C.B.A. (VEP06171A; NV-HD650EE)



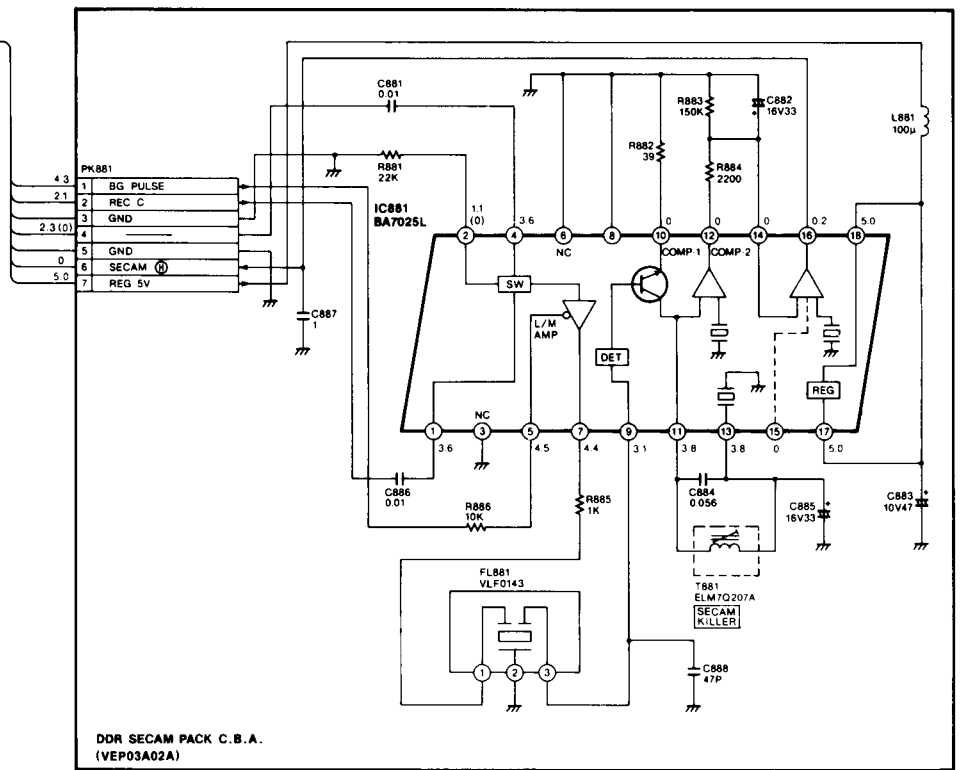
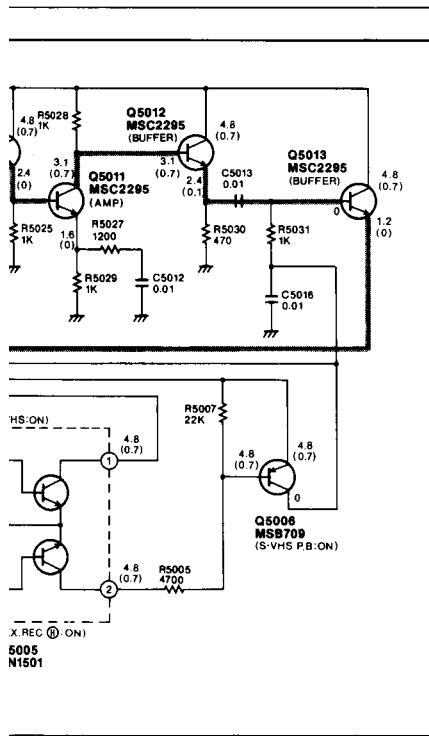
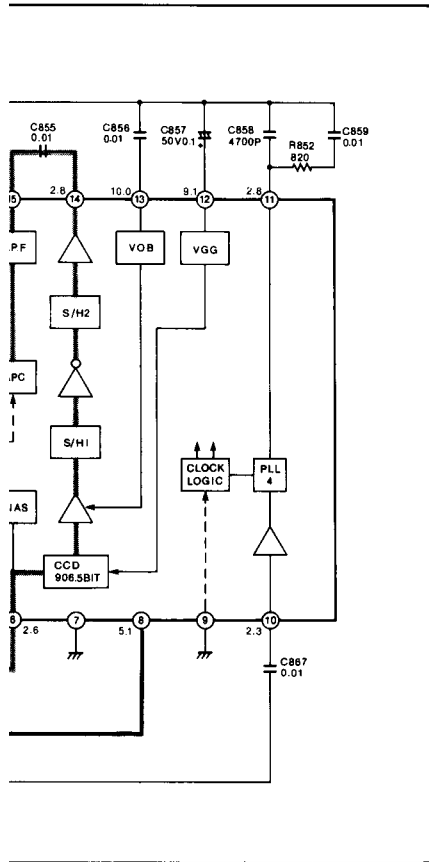
S-VHS PLAYBACK PACK C.B.A. (VEP03A03A; NV-HD650EE)

NOTE: THE MEASUREMENT MODE OF THE DC VOLTAGE IN THE BRACKETS () ON THIS DIAGRAM IS RECORD MODE WITH PAL COLOUR SIGNAL. (SP MODE)
 THE MEASUREMENT MODE OF THE DC VOLTAGE OUT OF THE BRACKETS ON THIS DIAGRAM IS PLAYBACK MODE WITH PAL COLOUR SIGNAL. (SP MODE)

NOTE: DO NOT USE ANY PARTS FROM THIS SCHEMATIC DIAGRAM TO ORDER A PART, PLEASE

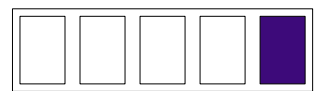


PATH IN REC MODE
PATH IN PLAYBACK MODE

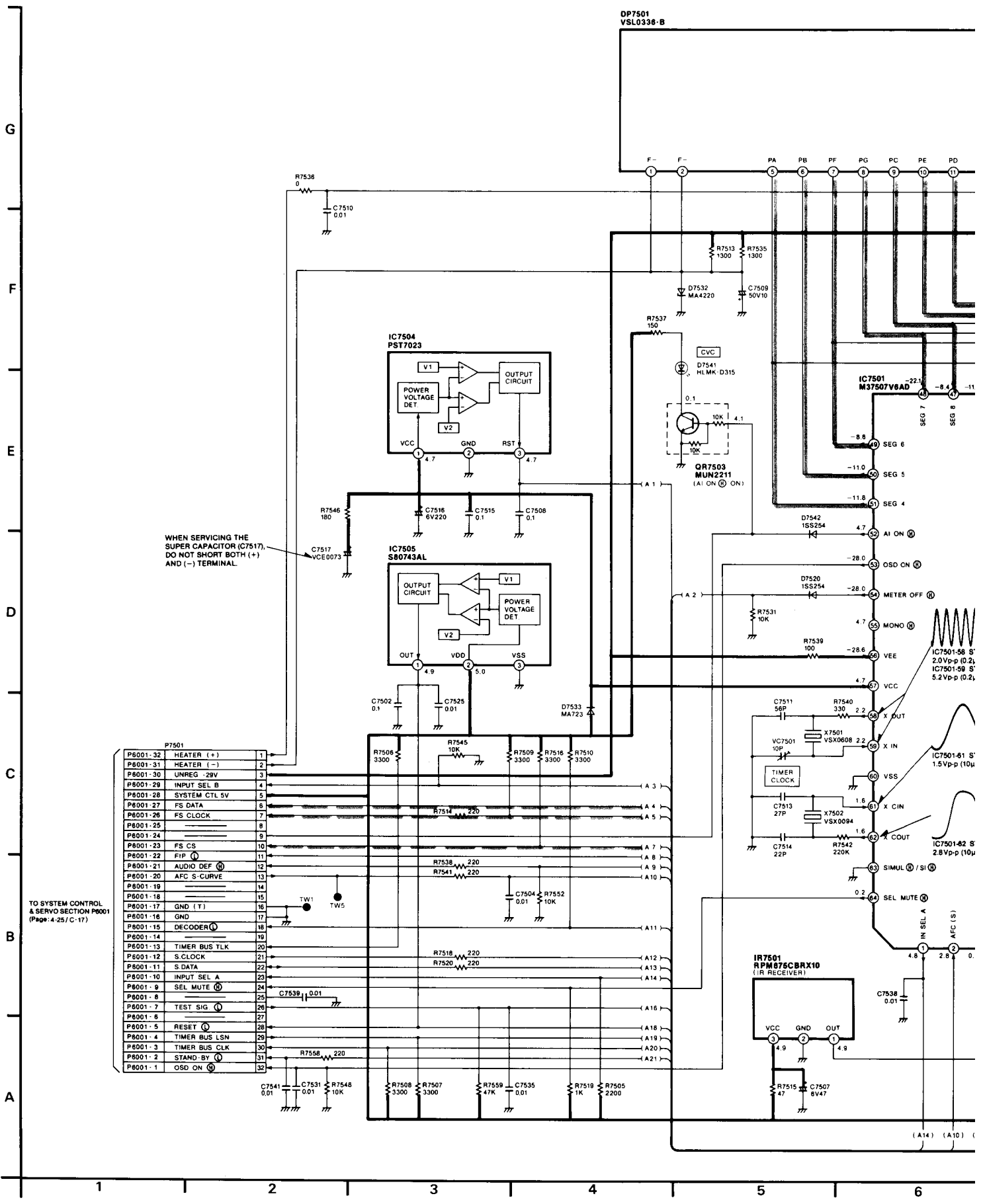


DDR SECAM PACK C.B.A.
 (VEP03A02A)

NOTE: DO NOT USE ANY PART NUMBER SHOWN ON THIS SCHEMATIC DIAGRAM FOR ORDERING. WHEN YOU ORDER A PART, PLEASE REFER TO PARTS LIST.

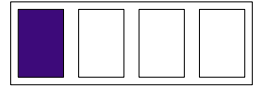


4-23. TIMER & OPERATION SCHEMATIC DIAGRAM (NV-HD650EE)

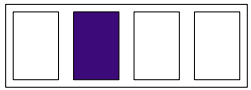
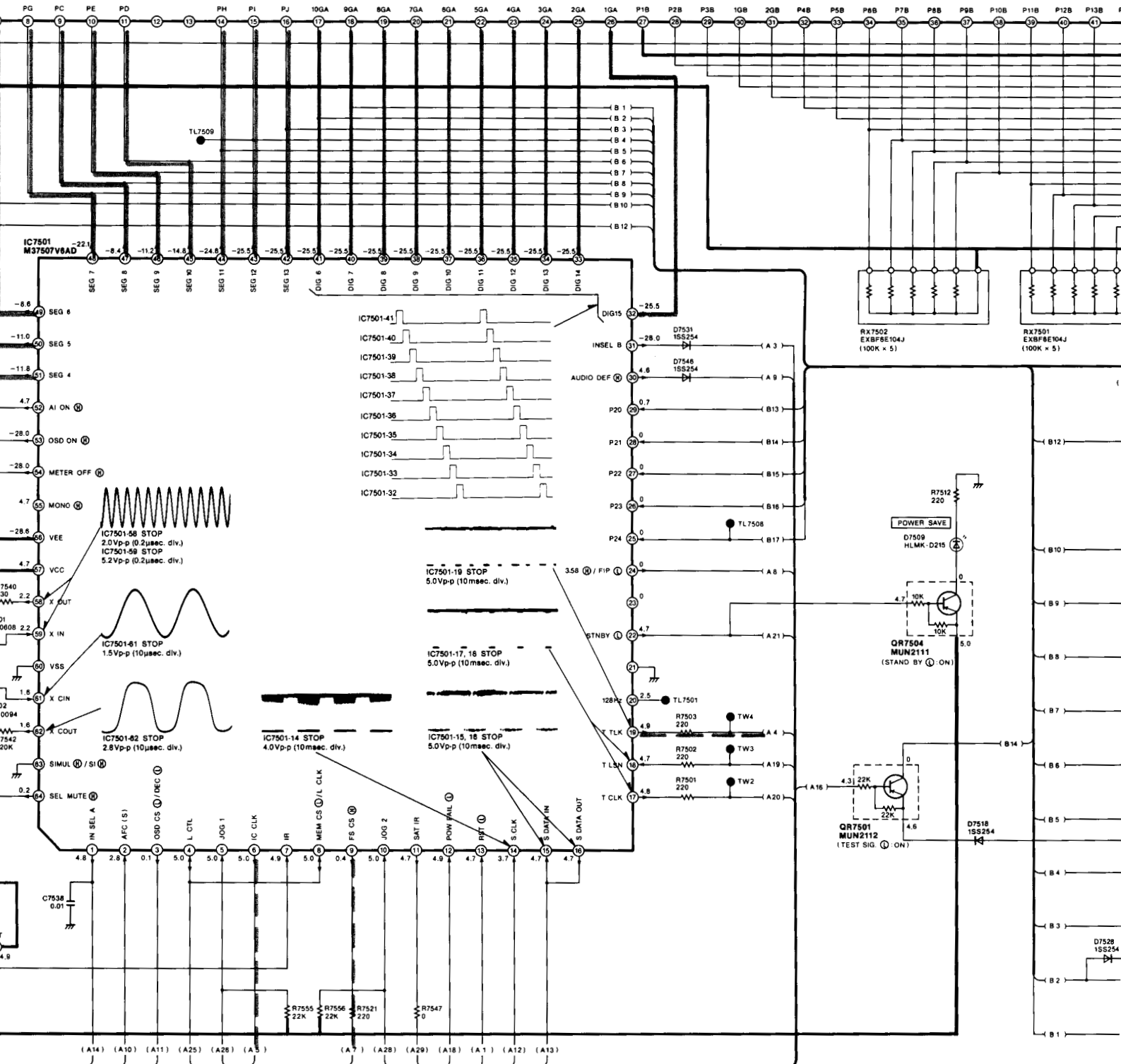
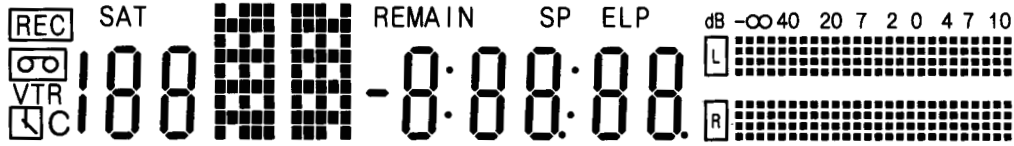


WHEN SERVICING THE SUPER CAPACITOR (C7517), DO NOT SHORT BOTH (+) AND (-) TERMINAL.

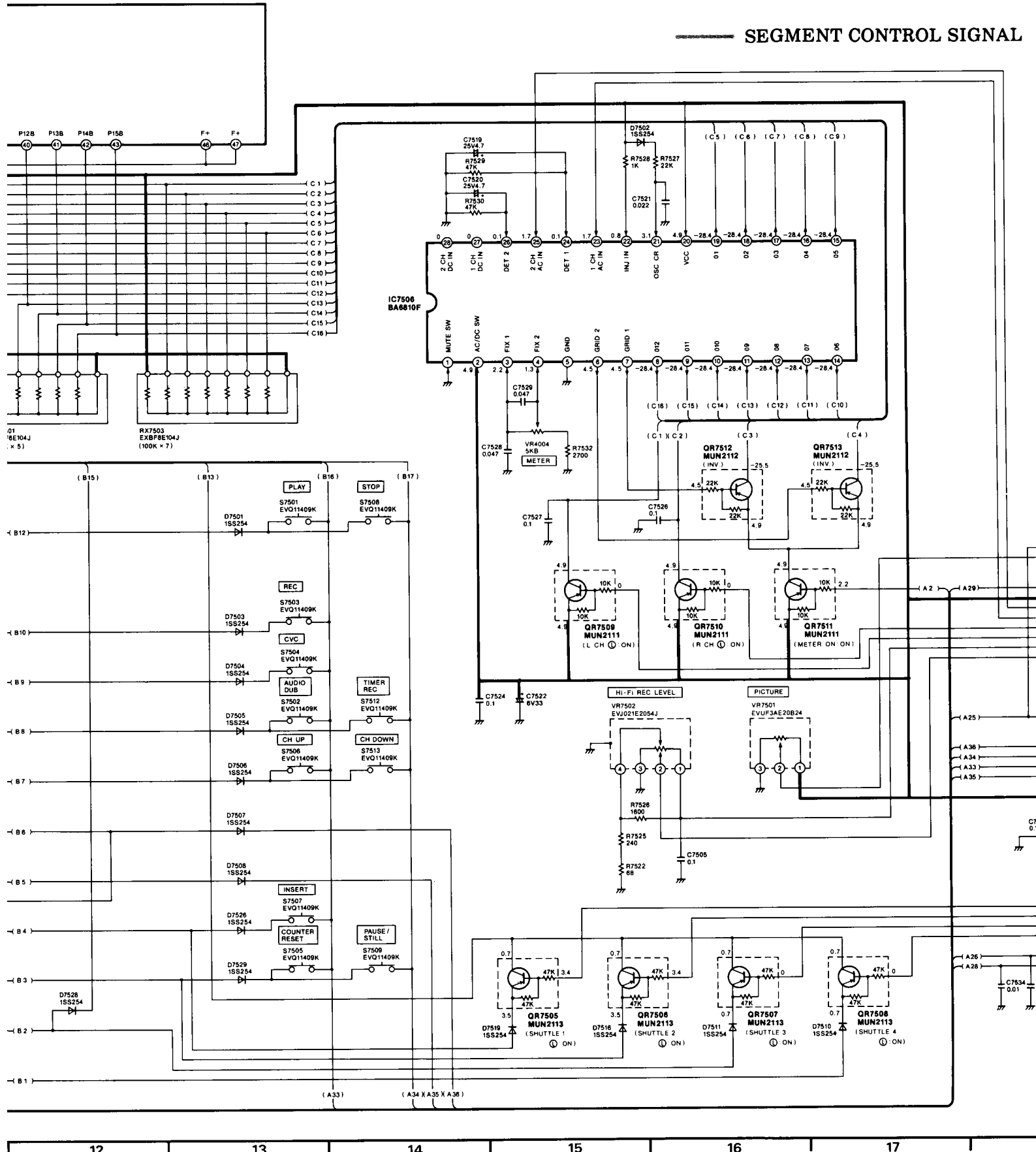
TO SYSTEM CONTROL & SERVO SECTION P6001 (Page: 4-25 / C-17)



EE)



SEGMENT CONTROL SIGNAL



12

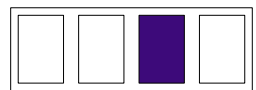
13

14

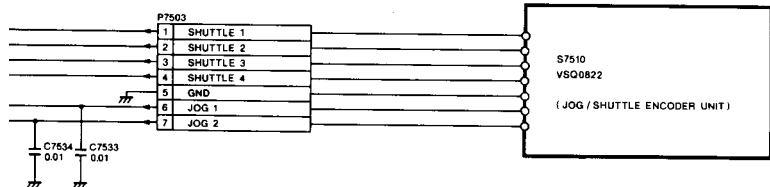
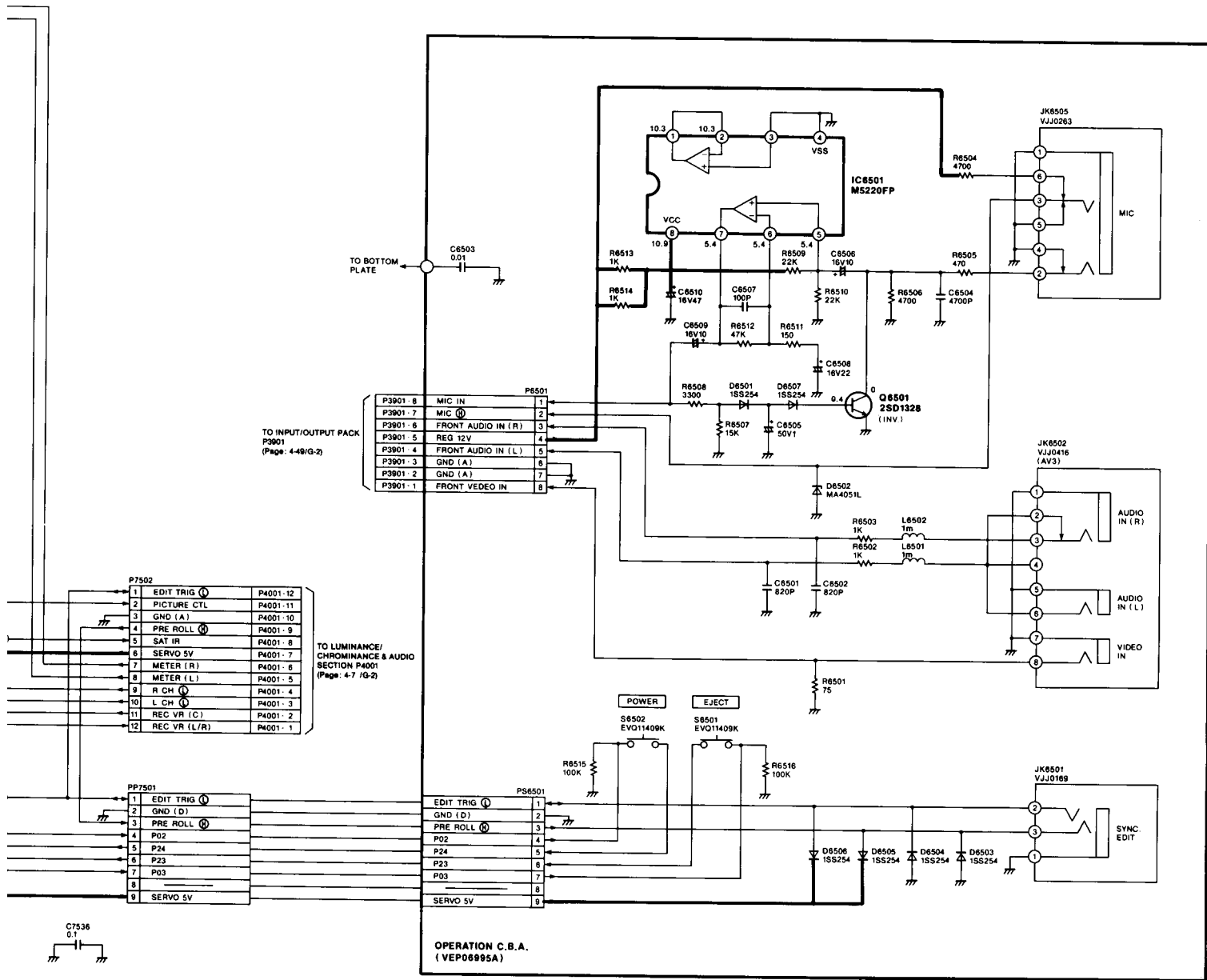
15

16

17

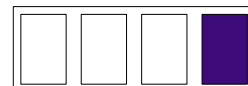


GNAL GRID CONTROL SIGNAL TUNE CONTROL SIGNAL

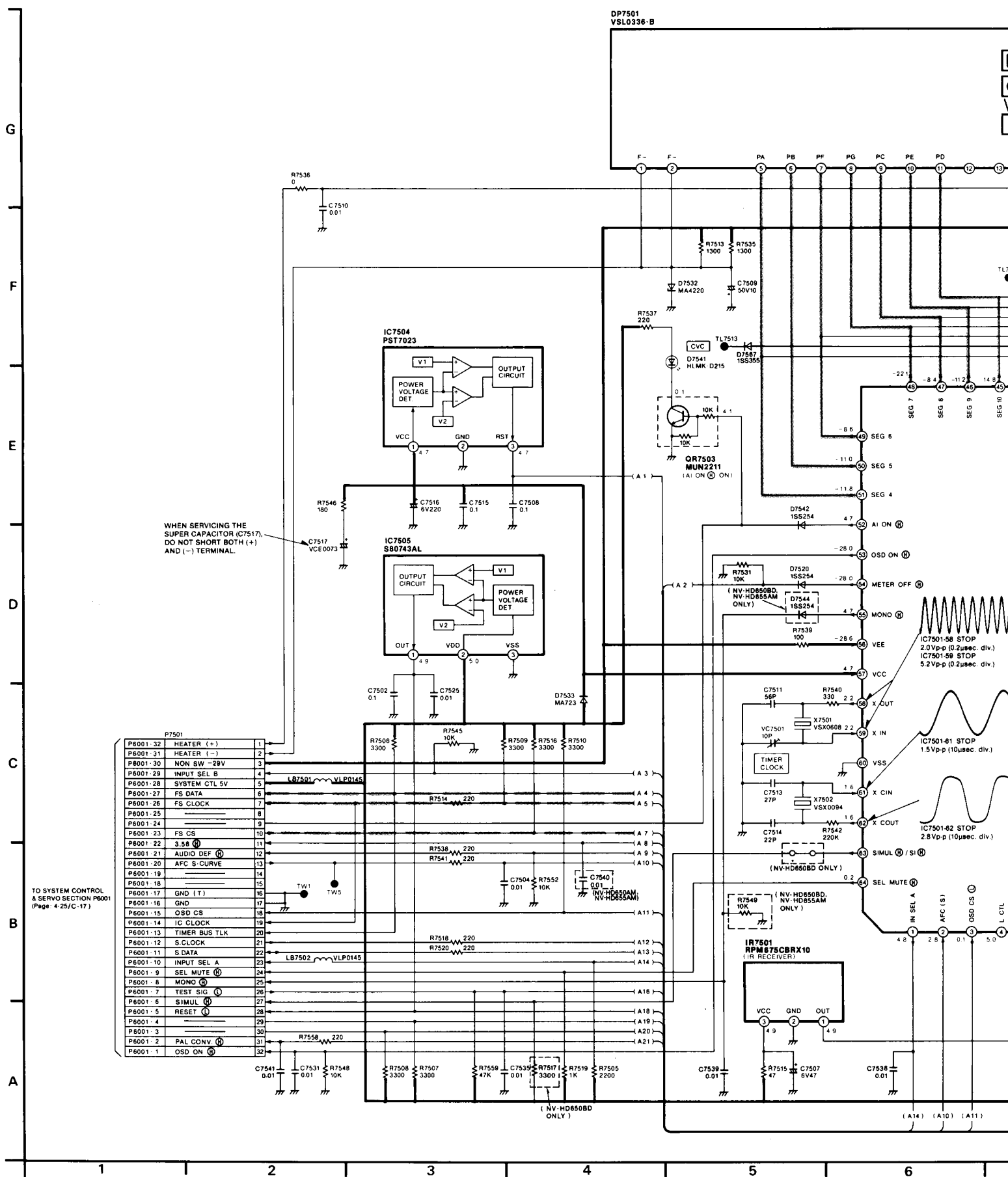


NOTE: THE MEASUREMENT MODE OF THE DC VOLTAGE ON THIS DIAGRAM IS STOP MODE.

NOTE: DO NOT USE ANY PART NUMBER SHOWN ON THIS SCHEMATIC DIAGRAM FOR ORDERING. WHEN YOU ORDER A PART, PLEASE REFER TO PARTS LIST.

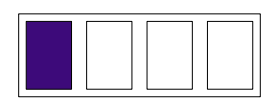


4-26. TIMER & OPERATION SCHEMATIC DIAGRAM (NV-HD650AM/BD, NV-HD650BM/BD)

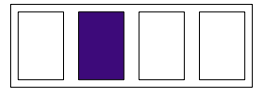
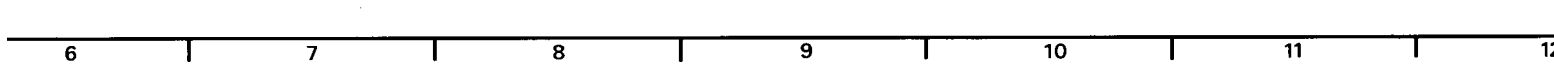
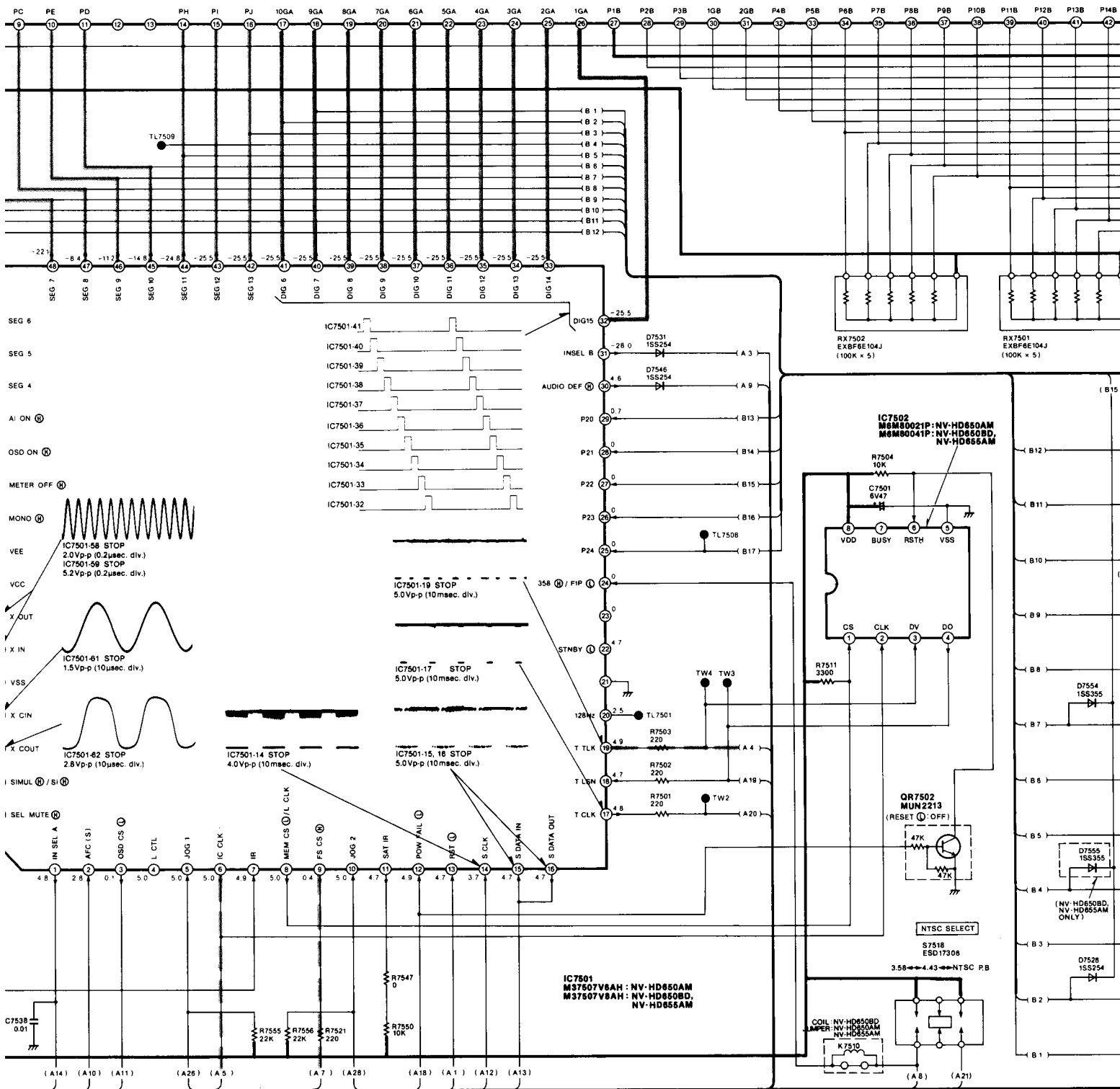
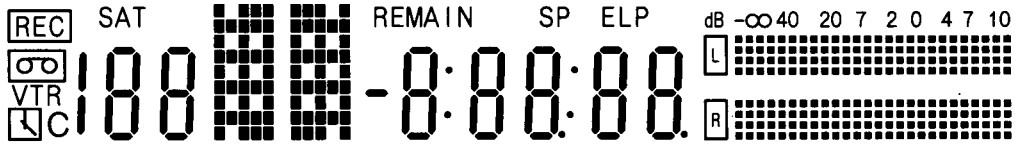


WHEN SERVICING THE SUPER CAPACITOR (C7517), DO NOT SHORT BOTH (+) AND (-) TERMINAL.

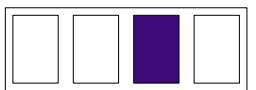
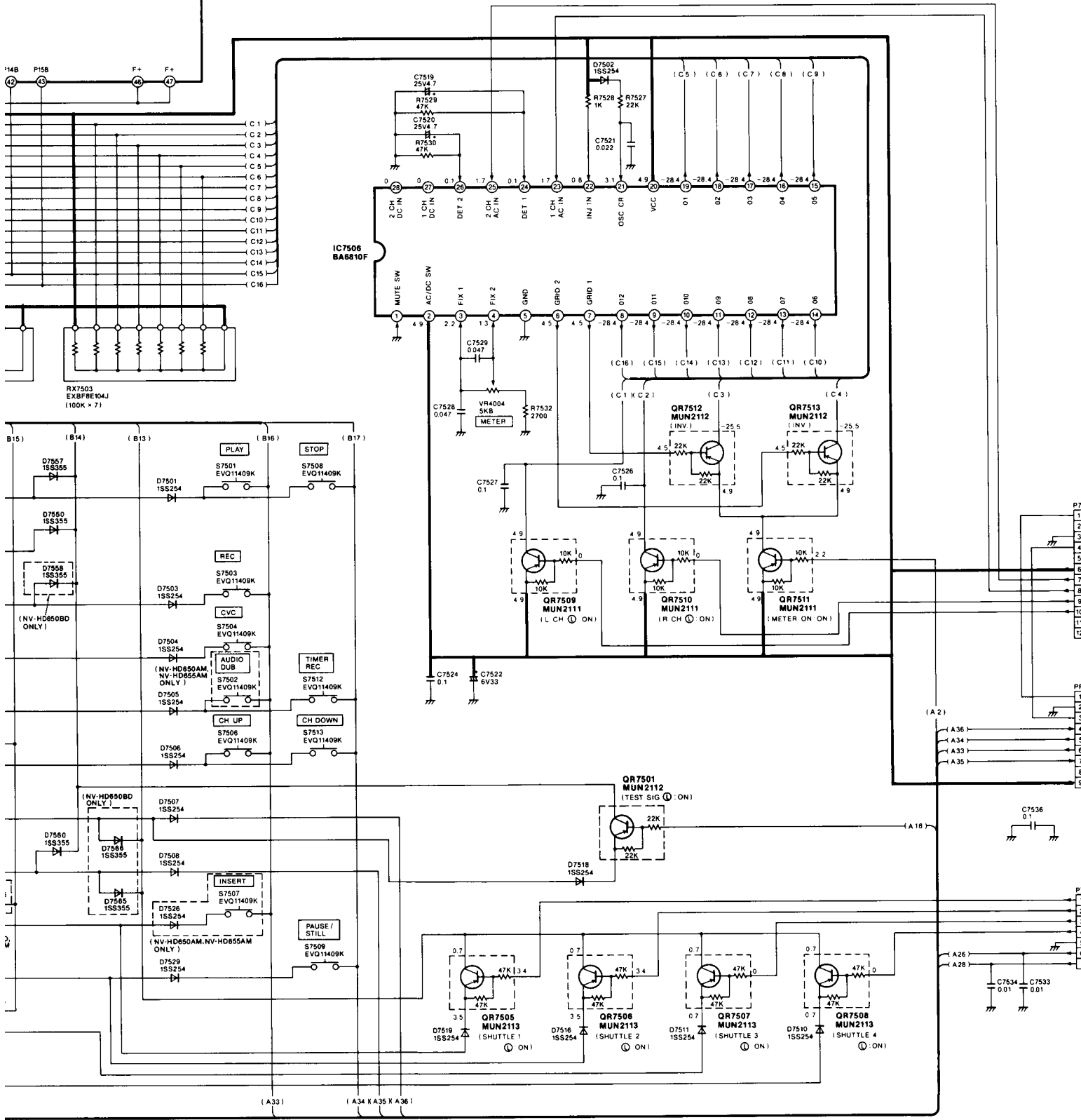
TO SYSTEM CONTROL & SERVO SECTION P6001 (Page 4-25/C-17)

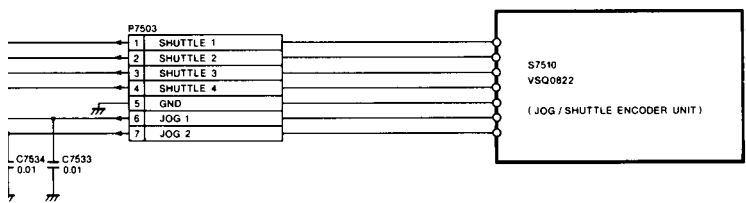
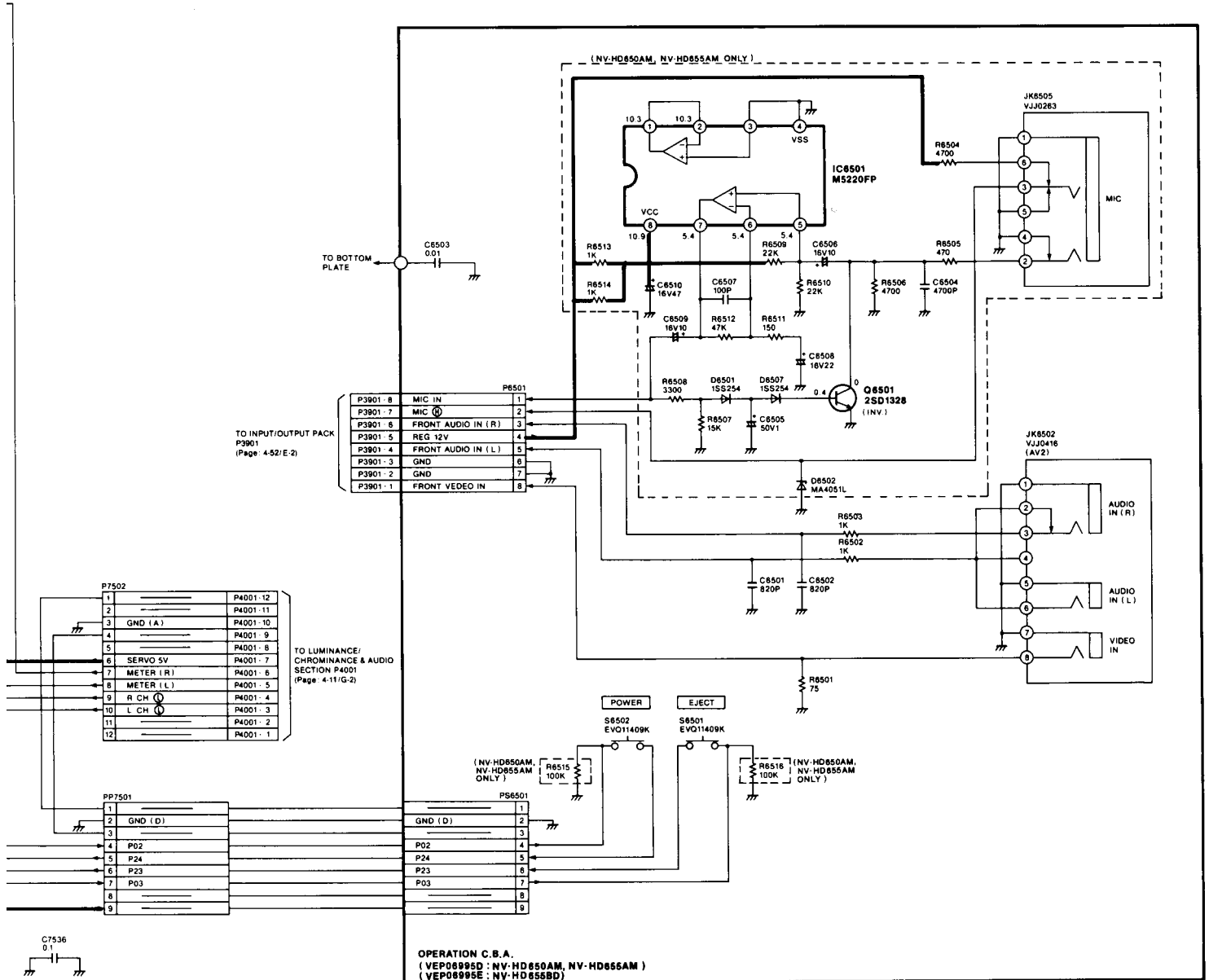


BD,NV-HD655AM)



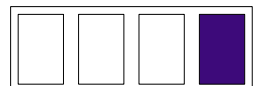
SEGMENT CONTROL SIGNAL



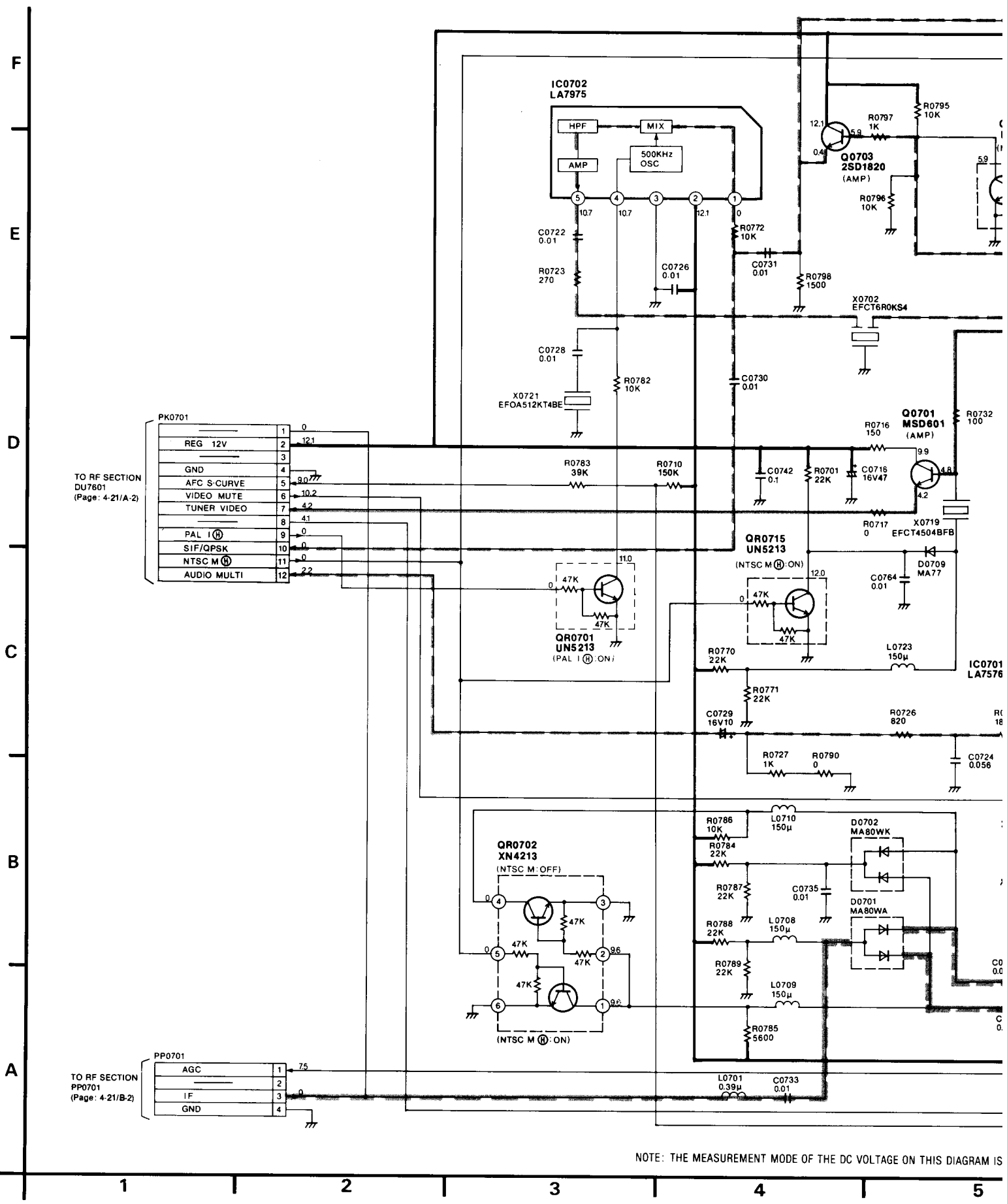


NOTE: THE MEASUREMENT MODE OF THE DC VOLTAGE ON THIS DIAGRAM IS STOP MODE.

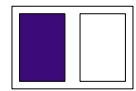
NOTE: DO NOT USE ANY PART NUMBER SHOWN ON THIS SCHEMATIC DIAGRAM FOR ORDERING. WHEN YOU ORDER A PART, PLEASE REFER TO PARTS LIST.



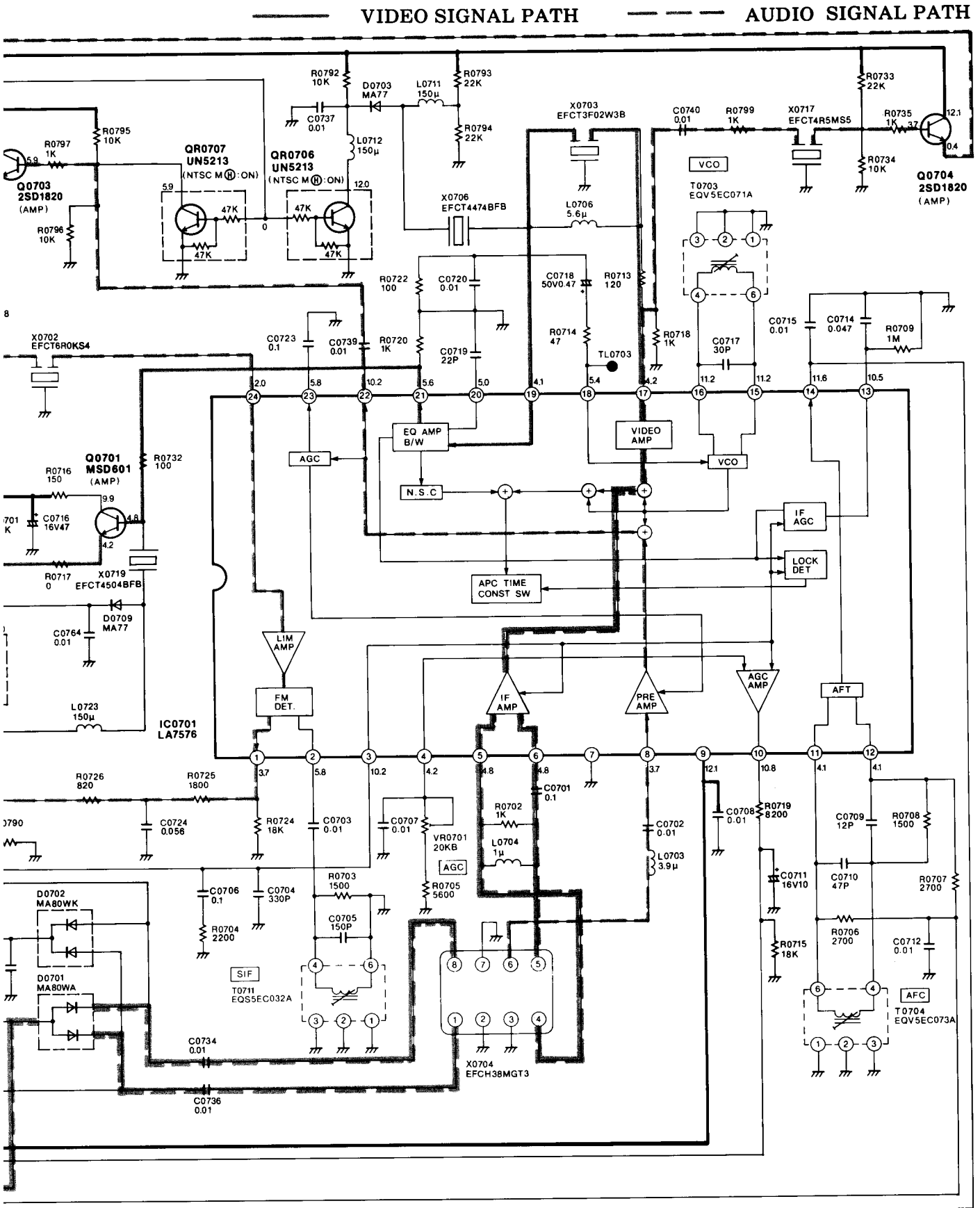
4-27. TV DEMODURATOR PACK SCHEMATIC DIAGRAM (NV-HD650BD)



NOTE: THE MEASUREMENT MODE OF THE DC VOLTAGE ON THIS DIAGRAM IS

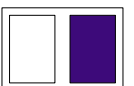


650BD)

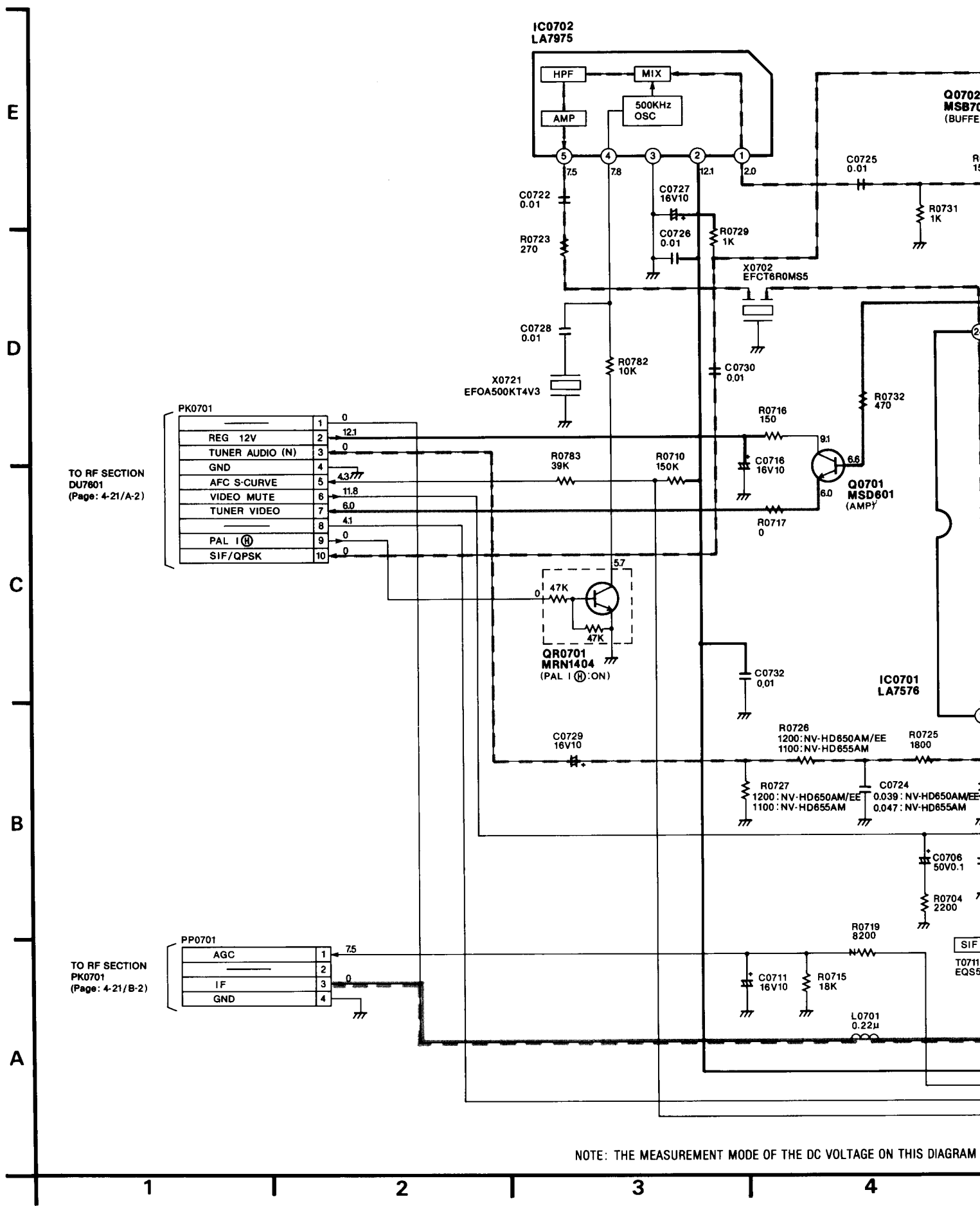


THE DC VOLTAGE ON THIS DIAGRAM IS STOP MODE.

NOTE: DO NOT USE ANY PART NUMBER SHOWN ON THIS SCHEMATIC DIAGRAM FOR ORDERING. WHEN YOU ORDER A PART, PLEASE REFER TO PARTS LIST.



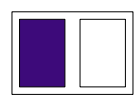
4-29. TV DEMODULATOR PACK SCHEMATIC DIAGRAM (NV-HD650AM/EE, NV-HD855AM)



TO RF SECTION
DU7601
(Page: 4-21/A-2)

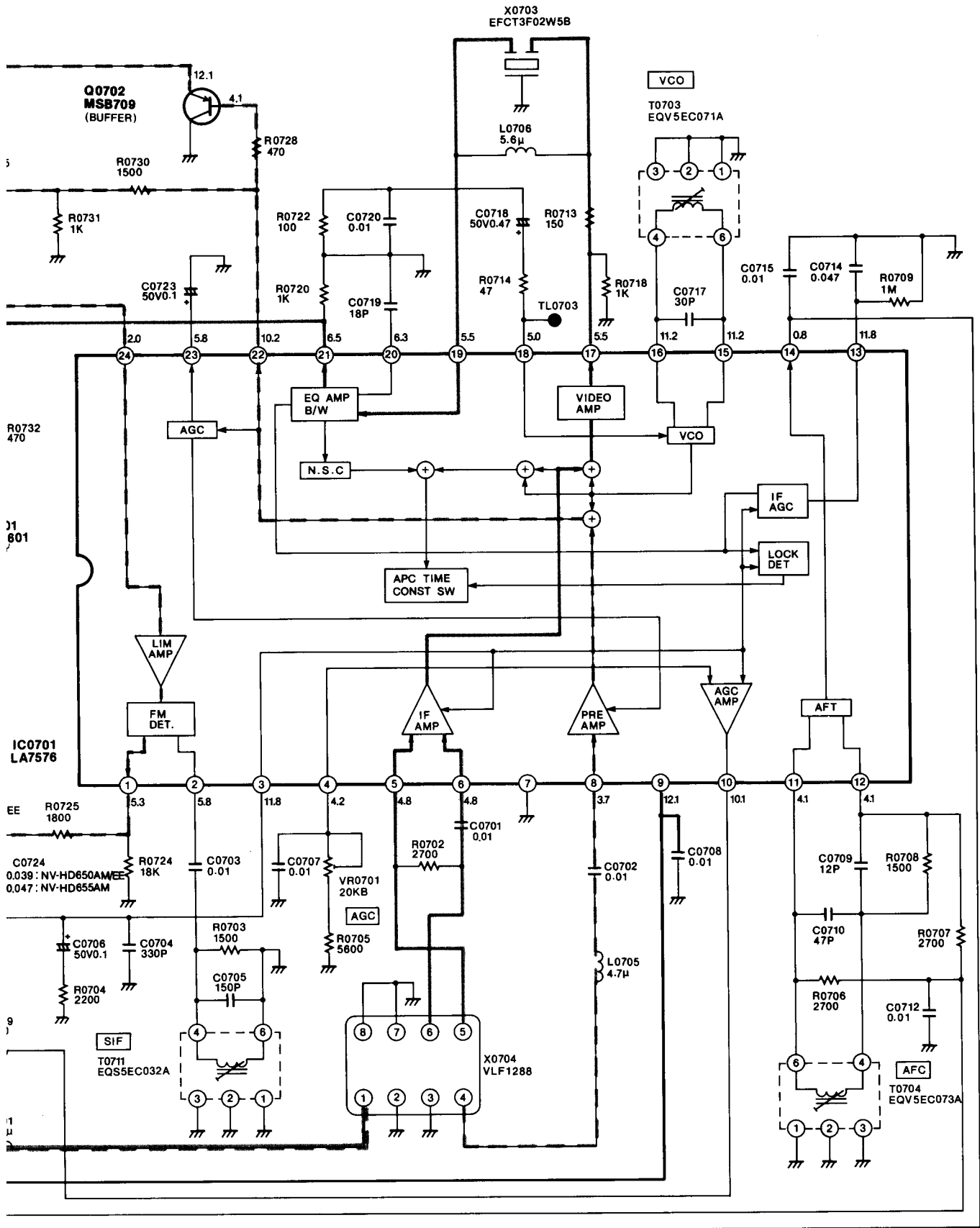
TO RF SECTION
PK0701
(Page: 4-21/B-2)

NOTE: THE MEASUREMENT MODE OF THE DC VOLTAGE ON THIS DIAGRAM



V/EE, NV-HD655AM)

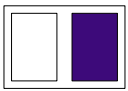
———— VIDEO SIGNAL PATH
 - - - - AUDIO MAIN SIGNAL PATH



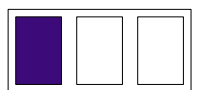
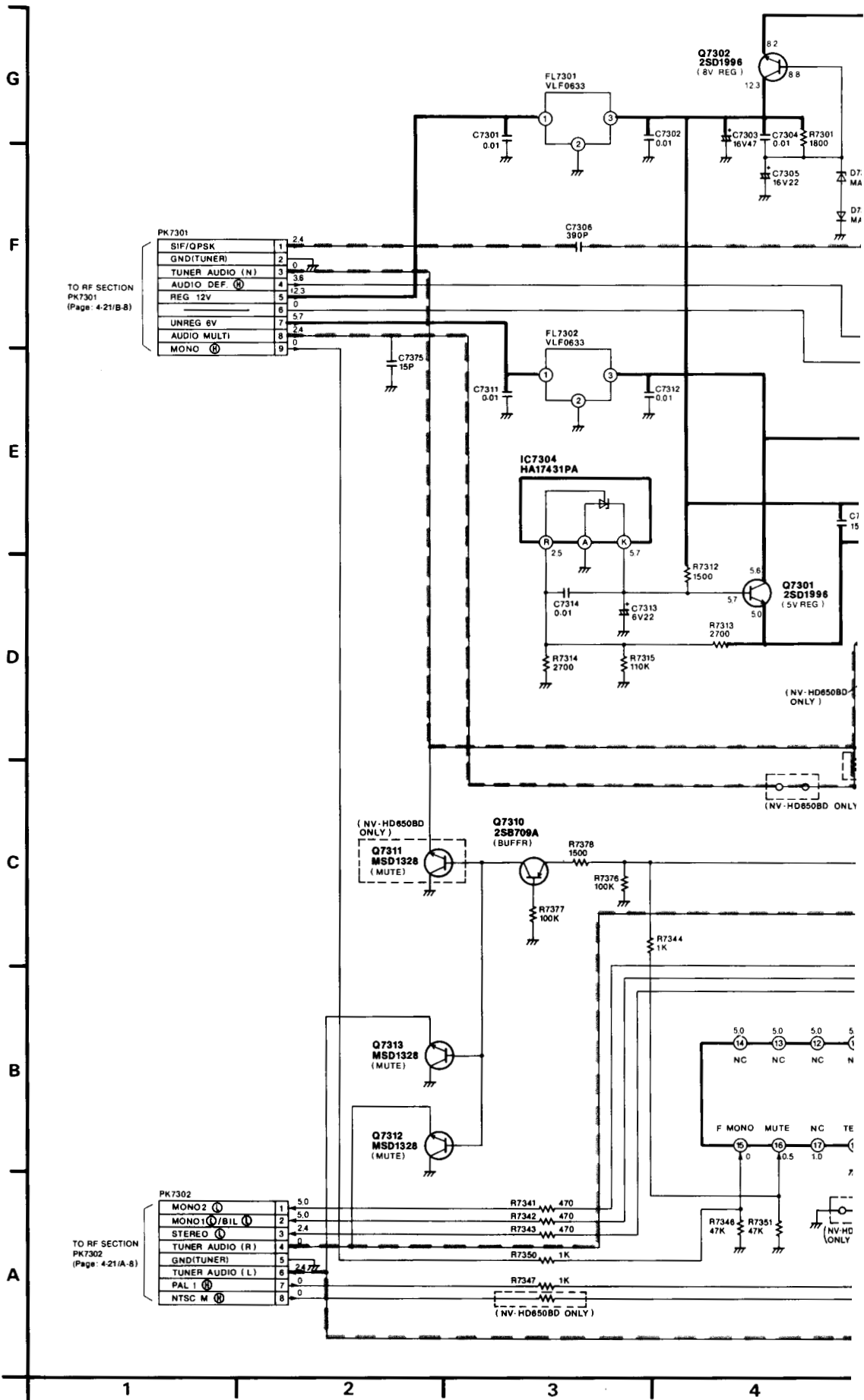
ON THIS DIAGRAM IS STOP MODE.

NOTE: DO NOT USE ANY PART NUMBER SHOWN ON THIS SCHEMATIC DIAGRAM FOR ORDERING. WHEN YOU ORDER A PART, PLEASE REFER TO PARTS LIST.

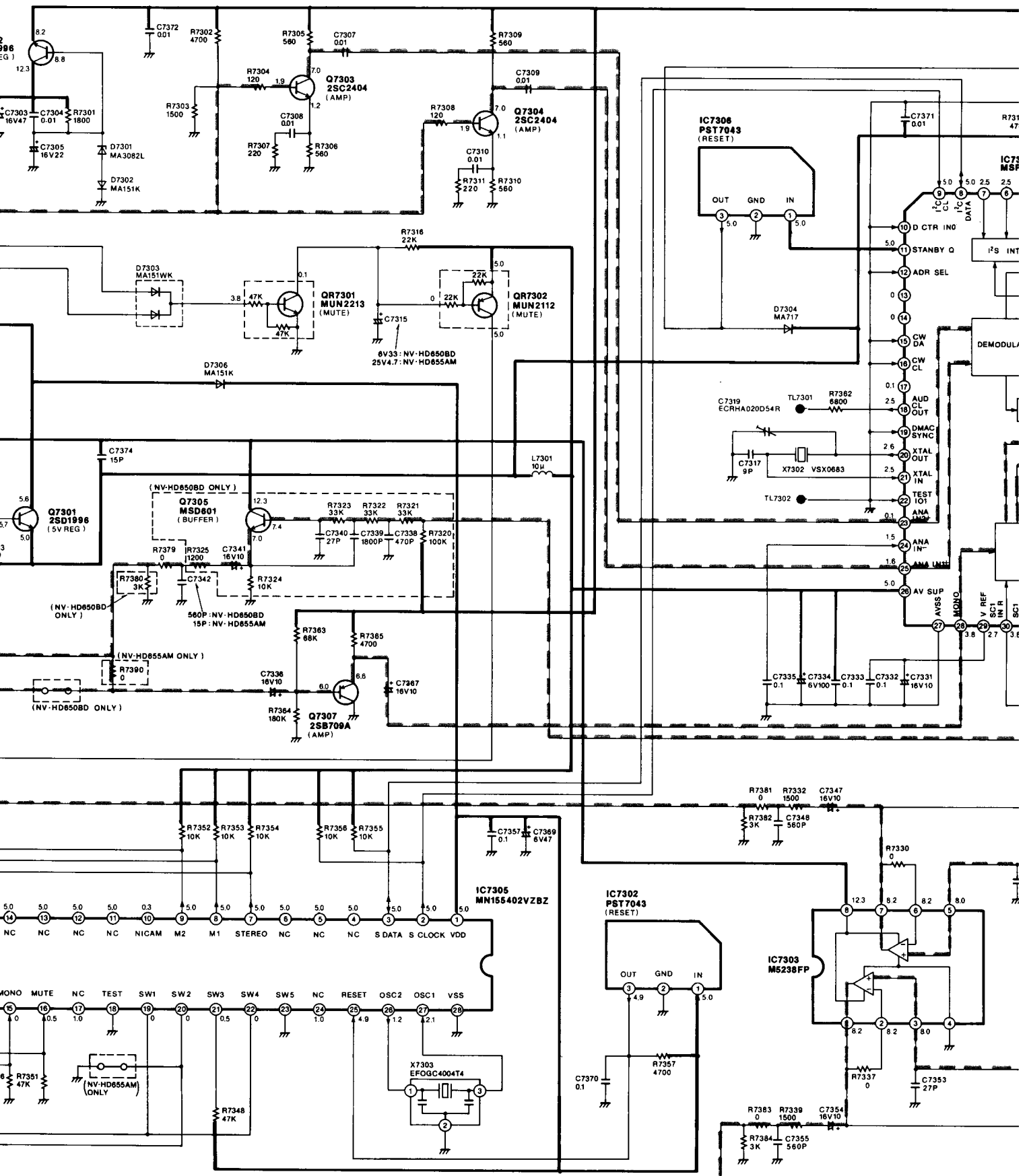
5 | 6 | 7 | 8



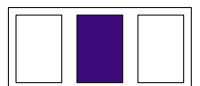
4-31. NICAM DECODER PACK SCHEMATIC DIAGRAM (N)



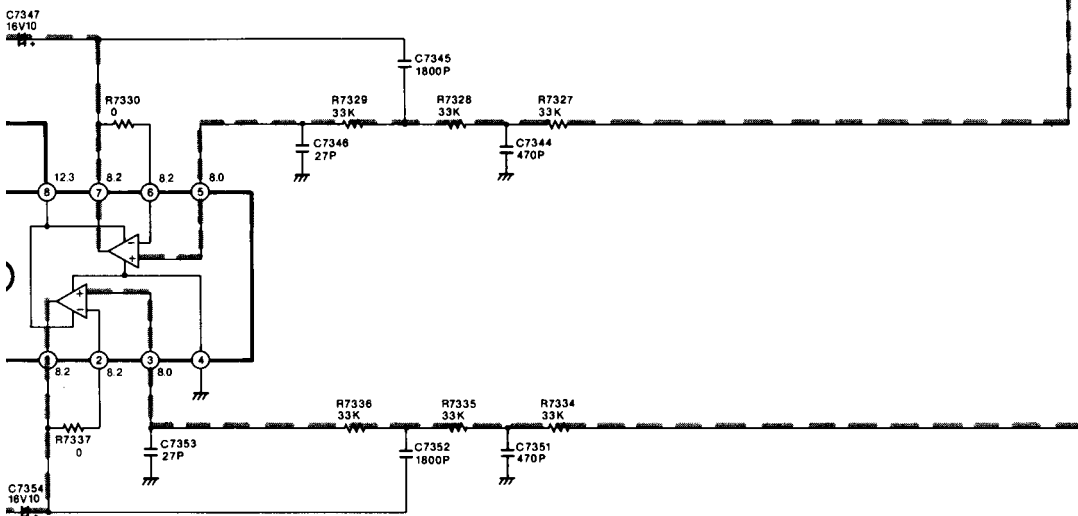
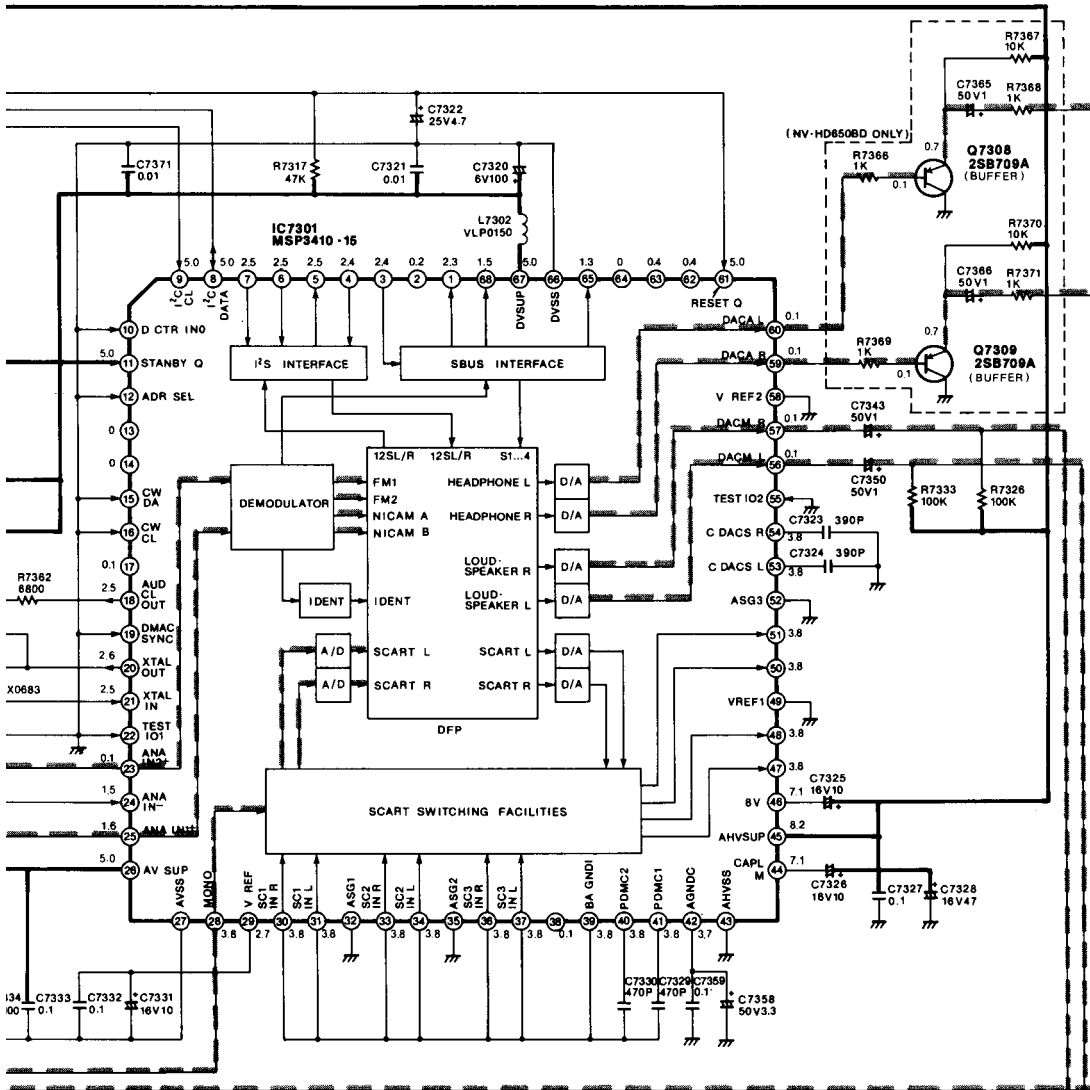
GRAM (NV-HD650BD, NV-HD655AM)



NOTE: THE MEASUREMENT MODE OF THE DC VOLTAGE ON

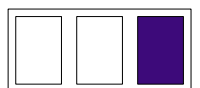


AUDIO SIGNAL PATH

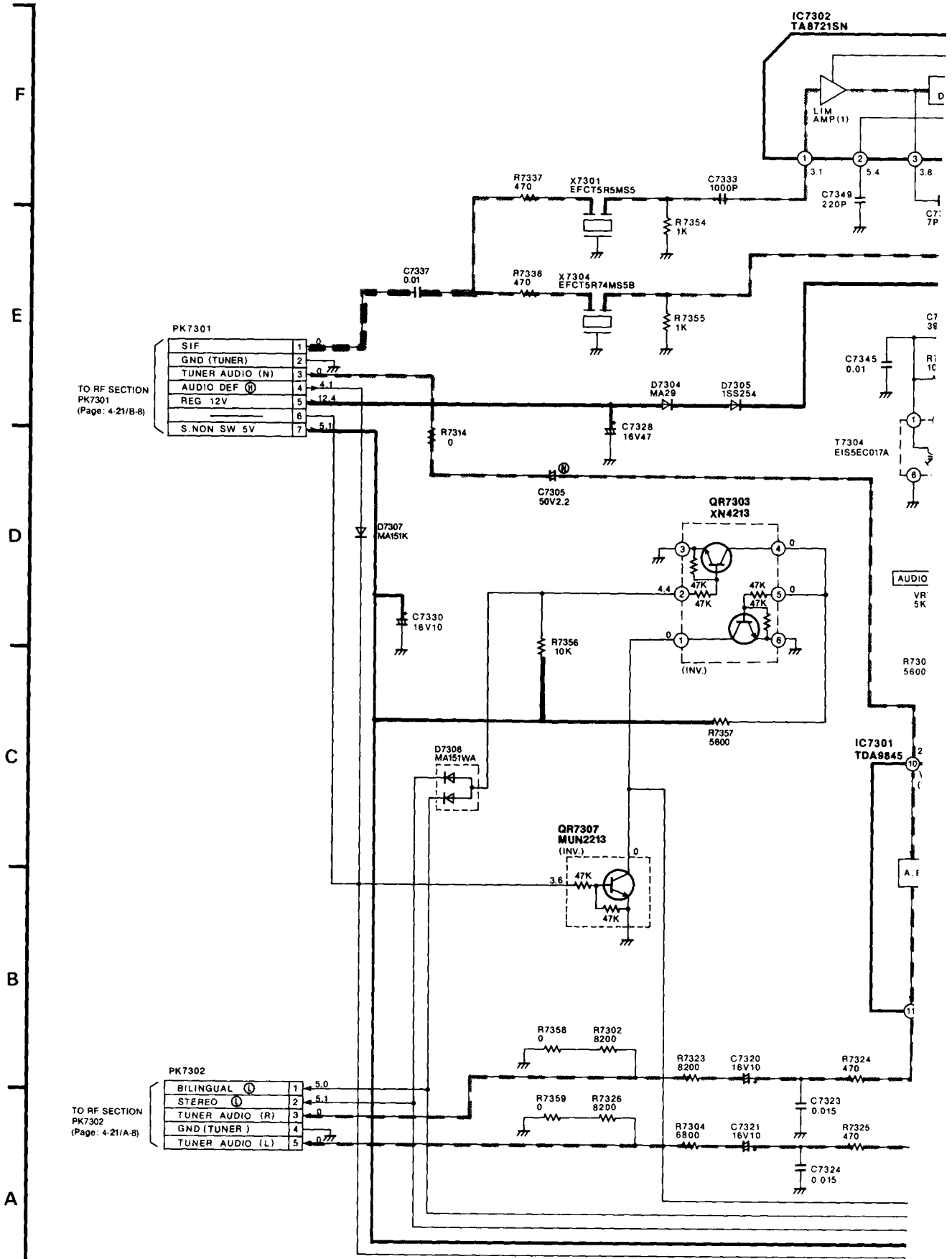


REMENT MODE OF THE DC VOLTAGE ON THIS DIAGRAM IS STOP MODE.

NOTE: DO NOT USE ANY PART NUMBER SHOWN ON THIS SCHEMATIC DIAGRAM FOR ORDERING. WHEN YOU ORDER A PART, PLEASE REFER TO PARTS LIST.



4-33. DECODER PACK SCHEMATIC DIAGRAM (NV-HD650AM/EE)



TO RF SECTION
PK7301
(Page: 4-21/B-8)

TO RF SECTION
PK7302
(Page: 4-21/A-8)

NOTE: DO NOT USE ANY PART NUMBER SHOWN ON THIS SCHEMATIC DIAGRAM FOR ORDERING. WHEN YOU ORDER A PART, PLEASE REFER TO PARTS LIST.

NOTE: THE MEASUREMENT MODE OF THE DC VOLTA

