

**PROPRIETARY NOTE**

THIS SPECIFICATION IS THE PROPERTY OF BOE BJ AND SHALL NOT BE REPRODUCED OR COPIED WITHOUT THE WRITTEN PERMISSION OF BOE BJ AND MUST BE RETURNED TO BOE BJ UPON ITS REQUEST

**BOE**

SPEC. NUMBER

PRODUCT GROUP

Rev.

ISSUE DATE

PAGE

LCM

P0

2016.03.15

1

OF 33

**NV140FHM-N47****Preliminary Product Specification****Rev. P0****(72%CG/EDP1.3/Normal Border size)****CHONGQING BOE OPTOELECTRONICS TECHNOLOGY CO.,LTD**



<b>PRODUCT GROUP</b>		REV	ISSUE DATE	<b>BOE</b>
LCM PRODUCT		P0	2016.01.15	
SPEC. NUMBER	SPEC. TITLE NV140FHM-N47 Preliminary Product Specification			PAGE 2 OF 33

**REVISION HISTORY**

REV.	ECN No.	DESCRIPTION OF CHANGES	DATE	PREPARED
P0	-	Initial Release	2016.03.15	

PRODUCT GROUP

REV

ISSUE DATE

**BOE**

LCM PRODUCT

P0

2016.01.15

SPEC. NUMBER

SPEC. TITLE

PAGE

NV140FHM-N47 Preliminary Product Specification

3 OF 33

## Contents

No.	Items	Page
	REVISION HISTORY	2
	CONTENTS	3
1.0	General Description	4
2.0	Absolute Maximum ratings	6
3.0	Electrical specifications.	7
4.0	Optical specifications.	10
5.0	Interface Connection	15
6.0	Signal Timing Specification	18
7.0	Input Signals, Display Colors & Gray Scale of Colors	20
8.0	Power Sequence	21
9.0	Connector description	22
10.0	Mechanical Characteristics	23
11.0	Reliability Test	25
12.0	Handling & Cautions.	25
13.0	Label	26
14.0	Packing information	28
15.0	Mechanical Outline Dimension	29
16.0	EDID Table	31

## PRODUCT GROUP

REV

ISSUE DATE

BOE

LCM PRODUCT

P0

2016.01.15

SPEC. NUMBER

SPEC. TITLE

PAGE

NV140FHM-N47 Preliminary Product Specification

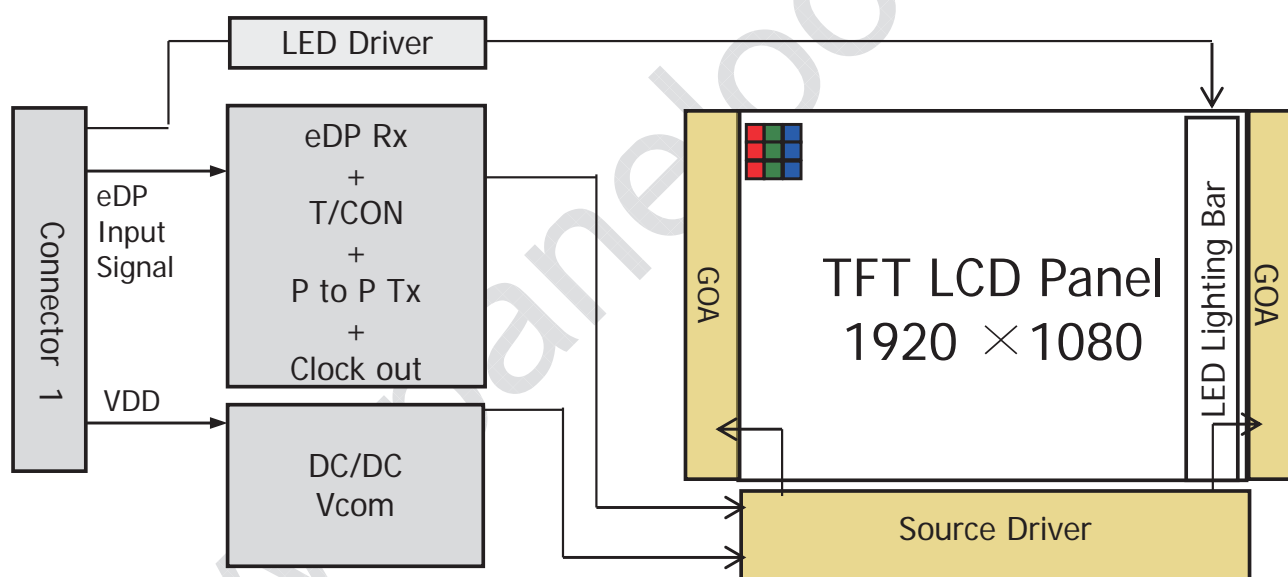
4 OF 33

## 1.0 GENERAL DESCRIPTION

## 1.1 Introduction

NV140FHM-N47 is a color active matrix TFT LCD module using amorphous silicon TFT's (Thin Film Transistors) as an active switching devices. This module has a 14.0 inch diagonally measured active area with FHD resolutions (1920 horizontal by 1080 vertical pixel array). Each pixel is divided into RED, GREEN, BLUE dots which are arranged in vertical Stripe and this module can display 262,144 colors. The TFT-LCD panel used for this module is a low reflection and higher color type. Therefore, this module is suitable for Notebook PC. The LED Driver for back-light driving is built in this model.

All input signals are eDP1.3 interface compatible.



## 1.2 Features

- 2 lane eDP Interface with 2.7Gbps Link Rates
- Thin and light weight
- 6-bit color depth, display 262K colors
- Single LED Lighting Bar. (Down side/Horizontal Direction)
- Green Product (RoHS & Halogen free product)
- On board LED Driving circuit
- Low driving voltage and low power consumption
- On board EDID chip

## PRODUCT GROUP

REV

ISSUE DATE

BOE

LCM PRODUCT

P0

2016.01.15

SPEC. NUMBER

SPEC. TITLE

PAGE

NV140FHM-N47 Preliminary Product Specification

5 OF 33

**1.0 General Description****1.3 Application**

- Notebook PC Without Touch function

**1.4 General Specification**

## 1.4.1.General LCM Specification(Table 1.)

&lt;Table 1. General Specifications&gt;

Parameter	Specification	Unit	Remarks
Active area	309.31 (H) x 173.99 (V)	mm	
Number of pixels	1920 (H) x 1080 (V)	pixels	
Pixel pitch	0.1611 (H) x 0.1611 (V)	mm	
Pixel arrangement	RGB Vertical stripe		
Display colors	262K	colors	
Display mode	Normally Black		
Dimensional outline	320.4(H)*188.2(V) (W/PCB)*5.25(Max) 320.4(H)*187.1(V)(W/O PCB)*3.0(Max)	mm	
Weight	300(max)	g	
Back-light	Lower Down side, 1-LED Lighting Bar type		Note 1
Power consumption	P <sub>D</sub> : 0.9	W	@mosaic pattern
	P <sub>B</sub> L :2.9	W	
	P <sub>T</sub> TOTAL : 3.8 for mosaic pattern , P <sub>T</sub> TOTAL : 4.3 for R/G/B/Black/White patterns	W	

Notes : 1. LED Lighting Bar (36\*LED Array)

PRODUCT GROUP

REV

ISSUE DATE

BOE

LCM PRODUCT

P0

2016.01.15

SPEC. NUMBER

SPEC. TITLE

PAGE

NV140FHM-N47 Preliminary Product Specification

6 OF 33

## 2.0 ABSOLUTE MAXIMUM RATINGS

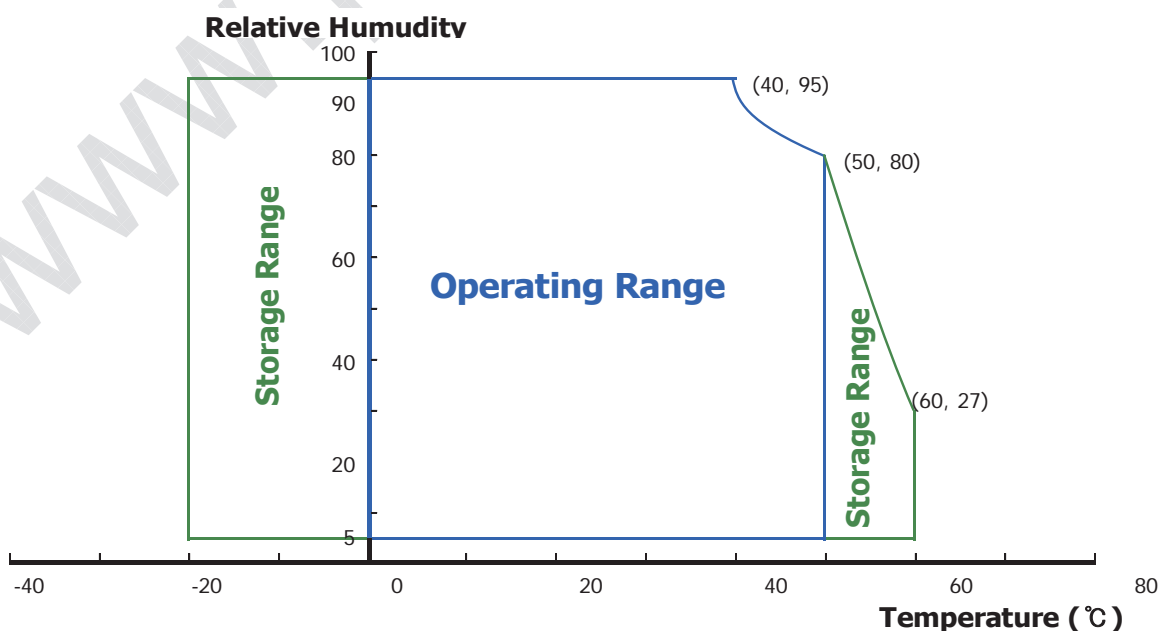
The followings are maximum values which, if exceed, may cause faulty operation or damage to the unit. The operational and non-operational maximum voltage and current values are listed in Table 2.

< Table 2. Absolute Maximum Ratings >

Ta=25+/-2°C

Parameter	Symbol	Min.	Max.	Unit	Remarks
Power Supply Voltage	V <sub>DD</sub>	-0.5	4.0	V	Note 1
Logic Supply Voltage	V <sub>IN</sub>	V <sub>SS</sub> -0.3	V <sub>DD</sub> +0.3	V	
Operating Temperature	T <sub>OP</sub>	0	+50	°C	Note 2
Storage Temperature	T <sub>ST</sub>	-20	+60	°C	

- Notes : 1. Permanent damage to the device may occur if maximum values are exceeded functional operation should be restricted to the condition described under normal operating conditions.
2. Temperature and relative humidity range are shown in the figure below.  
 95 % RH Max. ( 40 °C ≥ Ta)  
 Maximum wet - bulb temperature at 39 °C or less. (Ta > 40 °C) No condensation.



6

## PRODUCT GROUP

REV

ISSUE DATE

BOE

LCM PRODUCT

P0

2016.01.15

SPEC. NUMBER

SPEC. TITLE

PAGE

NV140FHM-N47 Preliminary Product Specification

7 OF 33

**3.0 ELECTRICAL SPECIFICATIONS****3.1 Electrical Specifications**

&lt; Table 3. Electrical specifications &gt;

Ta=25+/-2°C

Parameter		Min.	Typ.	Max.	Unit	Remarks
Power Supply Voltage	V <sub>DD</sub>	3.0	3.3	3.6	V	Note 1
Permissible Input Ripple Voltage	V <sub>RF</sub>	-	-	100	mV	At V <sub>DD</sub> = 3.3V
Power Supply Current	I <sub>DD</sub>	-	TBD	-	mA	Note 1
Differential Input Voltage	V <sub>ID</sub>	120	-	1320	mV	
Power Consumption	P <sub>D</sub>	-	0.9	1.4	W	Note 1
	P <sub>BL</sub>	-	-	2.9	W	Note 2
	P <sub>total</sub>	-	-	4.3	W	

Notes : 1. The supply voltage is measured and specified at the interface connector of LCM.  
The current draw and power consumption specified is for 3.3V at 25°C.

a) Typ. : Mosaic Pattern

b) Max.: R/G/B/Black/White patterns

$$2. IF \times VF \times 40 / \text{efficiency} = P_{LED}$$

## PRODUCT GROUP

REV

ISSUE DATE

BOE

LCM PRODUCT

P0

2016.01.15

SPEC. NUMBER

SPEC. TITLE

PAGE

NV140FHM-N47 Preliminary Product Specification

8 OF 33

## 3.2 Backlight Unit

&lt; Table 4. LED Driving guideline specifications &gt;

Ta=25+/-2°C

Parameter		Min.	Typ.	Max.	Unit	Remarks
LED Forward Voltage	$V_F$	-	-	2.9	V	-
LED Forward Current	$I_F$	-	21.75	-	mA	-
LED Power Consumption	$P_{LED}$		2.9	-	W	Note 1
LED Life-Time	N/A	15,000	-	-	Hour	$I_F = 20mA$
Power supply voltage for LED Driver	$V_{LED}$	6	12	21	V	
EN Control Level	Backlight on	2.0		5.0	V	
	Backlight off	0		0.6	V	
PWM Control Level	PWM High Level	2.0		5.0	V	
	PWM Low Level	0		0.6	V	
PWM Control Frequency	$F_{PWM}$	200	-	10,000	Hz	
Duty Ratio	-	1	-	100	%	

Notes : 1. Power supply voltage 12V for LED Driver

Calculator Value for reference  $I_F \times V_F \times 40 / \text{efficiency} = P_{LED}$ 

2. The LED Life-time define as the estimated time to 50% degradation of initial luminous.

3. 1% duty cycle is achievable with a dimming frequency less than 1KHz.



PRODUCT GROUP

REV

ISSUE DATE

BOE

LCM PRODUCT

P0

2016.01.15

SPEC. NUMBER

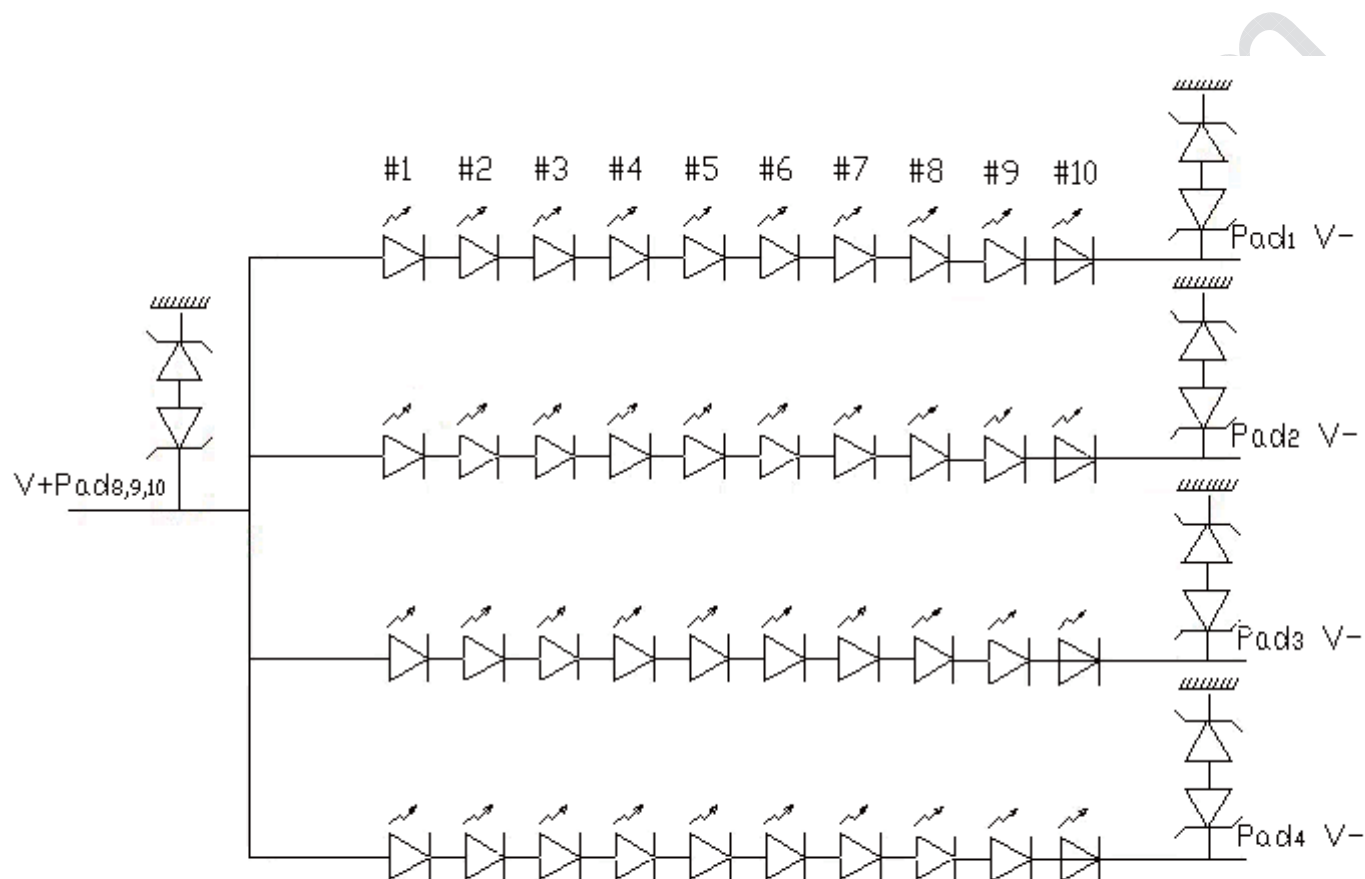
SPEC. TITLE

PAGE

NV140FHM-N47 Preliminary Product Specification

9 OF 33

## 3.3 LED structure



## PRODUCT GROUP

REV

ISSUE DATE

BOE

LCM PRODUCT

P0

2016.01.15

SPEC. NUMBER

SPEC. TITLE

PAGE

NV140FHM-N47 Preliminary Product Specification

10 OF 33

## 4.0 OPTICAL SPECIFICATION

## 4.1 Overview

The test of Optical specifications shall be measured in a dark room (ambient luminance  $\leq 1$  lux and temperature =  $25 \pm 2^\circ\text{C}$ ) with the equipment of Luminance meter system (Goniometer system and TOPCON BM-5) and test unit shall be located at an approximate distance 50cm from the LCD surface at a viewing angle of  $\theta$  and  $\Phi$  equal to  $0^\circ$ . We refer to  $\theta\Phi=0$  ( $=\theta 3$ ) as the 3 o'clock direction (the "right"),  $\theta\Phi=90$  ( $=\theta 12$ ) as the 12 o'clock direction ("upward"),  $\theta\Phi=180$  ( $=\theta 9$ ) as the 9 o'clock direction ("left") and  $\theta\Phi=270$  ( $=\theta 6$ ) as the 6 o'clock direction ("bottom"). While scanning  $\theta$  and/or  $\Phi$ , the center of the measuring spot on the Display surface shall stay fixed. The backlight should be operating for 30 minutes prior to measurement. VDD shall be  $3.3 \pm 0.3\text{V}$  at  $25^\circ\text{C}$ . Optimum viewing angle direction is 6 o'clock.

## 4.2 Optical Specifications

&lt;Table 5. Optical Specifications&gt;

Parameter		Symbol	Condition	Min.	Typ.	Max.	Unit	Remark
Viewing Angle range	Horizontal	$\Theta_3$	CR > 10	-	85	-	Deg.	Note 1
		$\Theta_9$		-	85	-	Deg.	
	Vertical	$\Theta_{12}$		-	85	-	Deg.	
		$\Theta_6$		-	85	-	Deg.	
Luminance Contrast ratio		CR	$\Theta = 0^\circ$	600	700	-	-	
Luminance of White	5 Points	$Y_w$	$\Theta = 0^\circ$ ILED = 21.75mA	-	300	-	-	
White Luminance uniformity	5 Points	$\Delta Y_5$		-	80%	-	-	Type.
	13 Points	$\Delta Y_{13}$		-	65%	-	-	
White Chromaticity		$x_w$	$\Theta = 0^\circ$	0.283	0.313	0.343	-	
		$y_w$		0.299	0.329	0.359	-	
Reproduction of color	Red	$x_R$	$\Theta = 0^\circ$	-0.03	0.649	+0.03	-	
		$y_R$			0.346		-	
	Green	$x_G$			0.329		-	
		$y_G$			0.623		-	
	Blue	$x_B$			0.151		-	
		$y_B$			0.064		-	
Gamut		-	-	68	72	-	%	
Response Time (Rising + Falling)		$T_{RT}$	$T_a = 25^\circ\text{C}$ $\Theta = 0^\circ$	-	30	35	Ms	Note 6
Cross Talk		CT	$\Theta = 0^\circ$	-	-	-	%	

10

PRODUCT GROUP		REV	ISSUE DATE	<b>BOE</b>
LCM PRODUCT		P0	2016.01.15	
SPEC. NUMBER	SPEC. TITLE			PAGE
	NV140FHM-N47 Preliminary Product Specification			11 OF 33

## Notes :

1. Viewing angle is the angle at which the contrast ratio is greater than 10. The viewing angles are determined for the horizontal or 3, 9 o'clock direction and the vertical or 6, 12 o'clock direction with respect to the optical axis which is normal to the LCD surface (see FIGURE 1).

2. Contrast measurements shall be made at viewing angle of  $\Theta = 0$  and at the center of the LCD surface. Luminance shall be measured with all pixels in the view field set first to white, then to the dark (black) state .

(see FIGURE 1) Luminance Contrast Ratio (CR) is defined mathematically.

$$CR = \frac{\text{Luminance when displaying a white raster}}{\text{Luminance when displaying a black raster}}$$

3. Center Luminance of white is defined as luminance values of 5 point average across the LCD surface. Luminance shall be measured with all pixels in the view field set first to white. This measurement shall be taken at the locations shown in FIGURE 2 for a total of the measurements per display.

4. The White luminance uniformity on LCD surface is then expressed as :  $\Delta Y = \text{Minimum Luminance of 5(or 13) points} / \text{Maximum Luminance of 5(or 13) points}$ .

(see FIGURE 2 and FIGURE 3).

5. The color chromaticity coordinates specified in Table 5 shall be calculated from the spectral data measured with all pixels first in red, green, blue and white. Measurements shall be made at the center of the panel.

6. The electro-optical response time measurements shall be made as FIGURE 4 by switching the "data" input signal ON and OFF. The times needed for the luminance to change from 10% to 90% is  $T_r$ , and 90% to 10% is  $T_d$ .

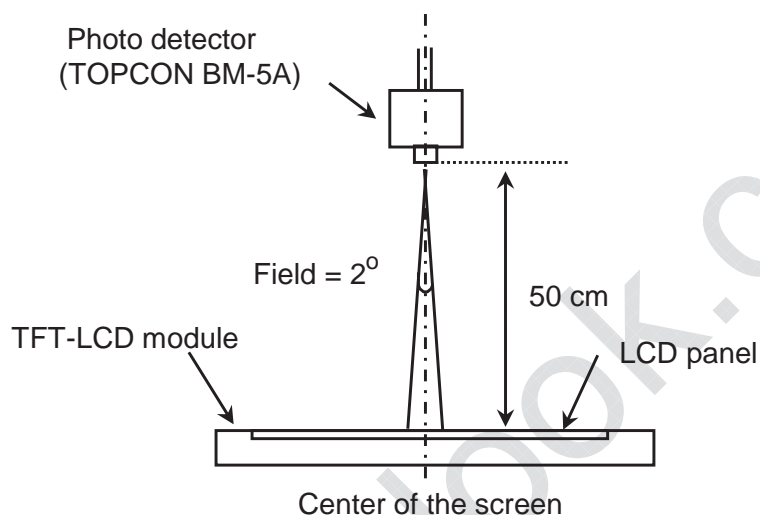
7. Cross-Talk of one area of the LCD surface by another shall be measured by comparing the luminance (YA) of a 25mm diameter area, with all display pixels set to a gray level, to the luminance (YB) of that same area when any adjacent area is driven dark.

(See FIGURE 5).

PRODUCT GROUP		REV	ISSUE DATE	<b>BOE</b>
LCM PRODUCT		P0	2016.01.15	
SPEC. NUMBER	SPEC. TITLE			PAGE
	NV140FHM-N47 Preliminary Product Specification			12 OF 33

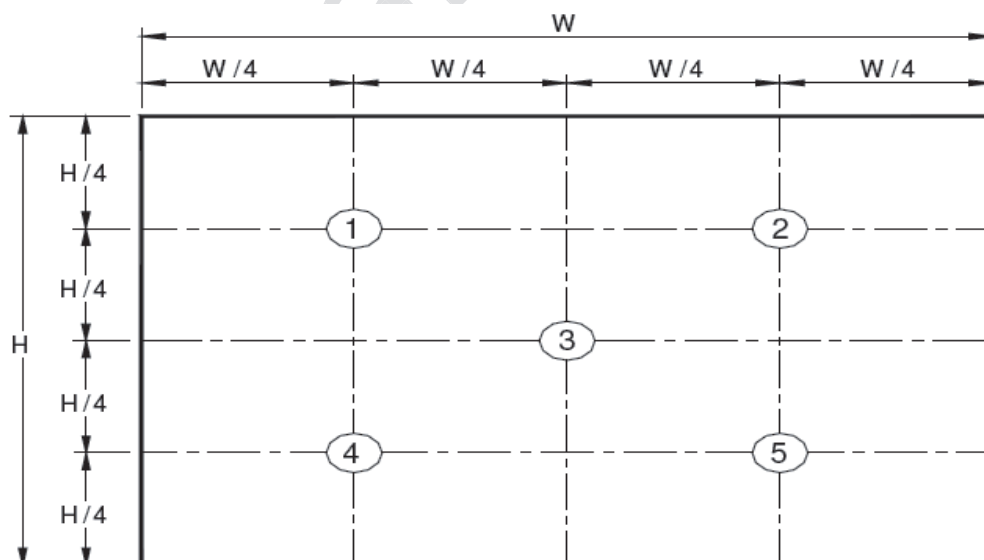
### 4.3 Optical measurements

**Figure 1. Measurement Set Up**



Optical characteristics measurement setup

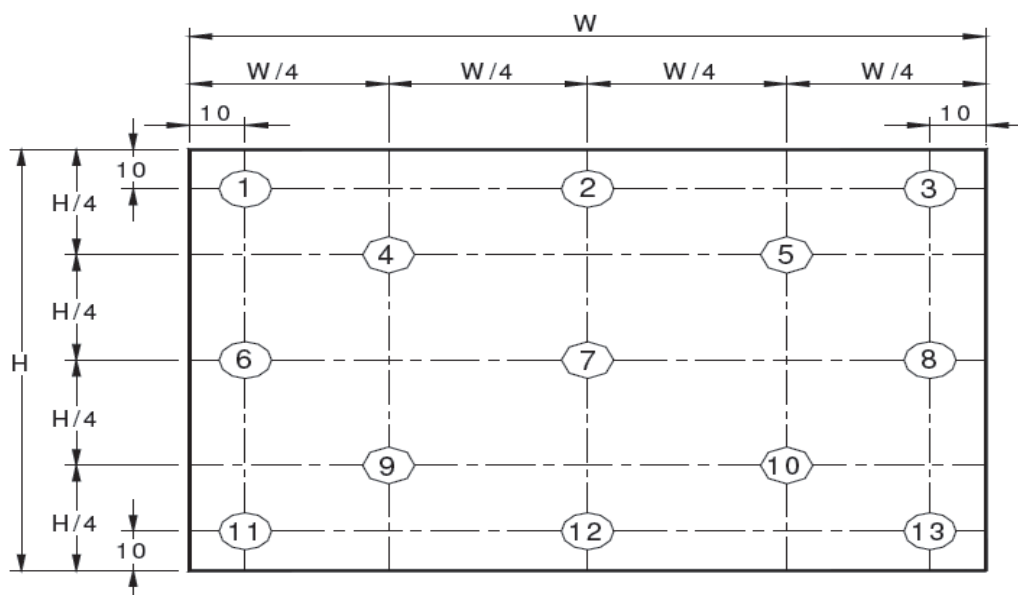
**Figure 2. White Luminance and Uniformity Measurement Locations (5 points)**



Center Luminance of white is defined as luminance values of center 5 points across the LCD surface. Luminance shall be measured with all pixels in the view field set first to white. This measurement shall be taken at the locations shown in FIGURE 2 for a total of the measurements per display.

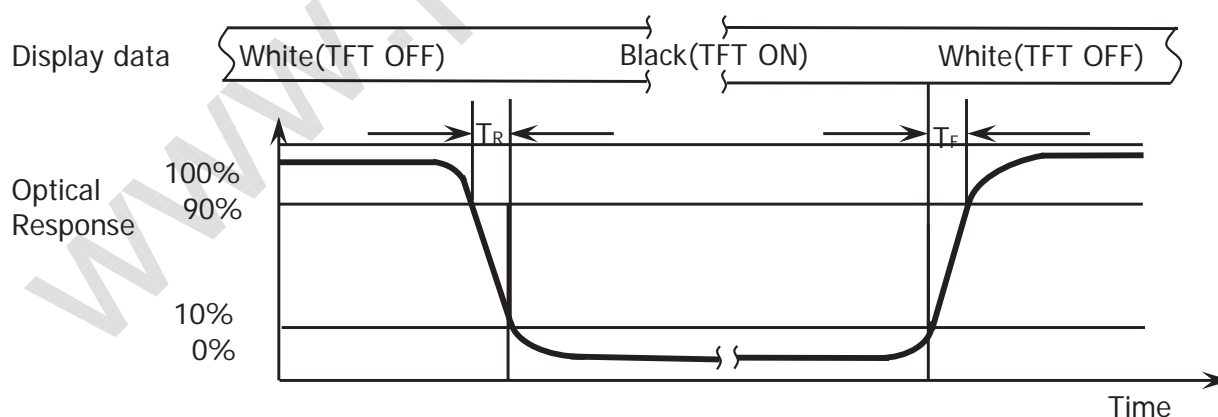
PRODUCT GROUP		REV	ISSUE DATE	<b>BOE</b>
LCM PRODUCT		P0	2016.01.15	
SPEC. NUMBER	SPEC. TITLE			PAGE
	NV140FHM-N47 Preliminary Product Specification			13 OF 33

**Figure 3. Uniformity Measurement Locations (13 points)**



The White luminance uniformity on LCD surface is then expressed as :  $\Delta Y_5 = \text{Minimum Luminance of five points} / \text{Maximum Luminance of five points}$  (see FIGURE 2) ,  $\Delta Y_{13} = \text{Minimum Luminance of 13 points} / \text{Maximum Luminance of 13 points}$  (see FIGURE 3).

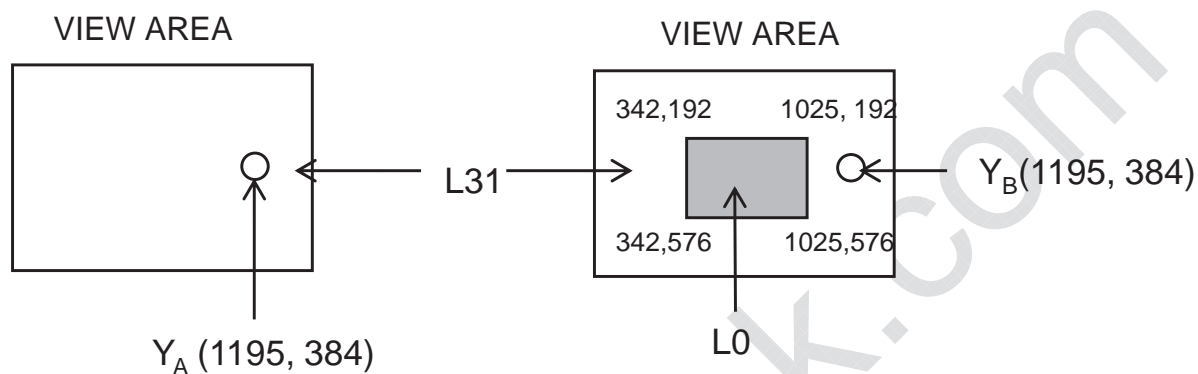
**Figure 4. Response Time Testing**



The electro-optical response time measurements shall be made as shown in FIGURE 4 by switching the “data” input signal ON and OFF. The times needed for the luminance to change from 10% to 90% is  $T_d$  and 90% to 10% is  $T_r$ .

PRODUCT GROUP		REV	ISSUE DATE	<b>BOE</b>
LCM PRODUCT		P0	2016.01.15	
SPEC. NUMBER	SPEC. TITLE			PAGE
	NV140FHM-N47 Preliminary Product Specification			14 OF 33

**Figure 5. Cross Modulation Test Description**



$$\text{Cross-Talk (\%)} = \left| \frac{Y_B - Y_A}{Y_A} \right| \times 100$$

Where:

$Y_A$  = Initial luminance of measured area (cd/m<sup>2</sup>)

$Y_B$  = Subsequent luminance of measured area (cd/m<sup>2</sup>)

The location measured will be exactly the same in both patterns

Cross-Talk of one area of the LCD surface by another shall be measured by comparing the luminance ( $Y_A$ ) of a 25mm diameter area, with all display pixels set to a gray level, to the luminance ( $Y_B$ ) of that same area when any adjacent area is driven dark (Refer to FIGURE 5).

PRODUCT GROUP

REV

ISSUE DATE

**BOE**

LCM PRODUCT

P0

2016.01.15

SPEC. NUMBER

SPEC. TITLE

PAGE

NV140FHM-N47 Preliminary Product Specification

15 OF 33

**5.0 INTERFACE CONNECTION.****5.1 Electrical Interface Connection**

The electronics interface connector is UJU IS050-L30B-C10 or Compatible.

The connector interface pin assignments are listed in Table 6.

<Table 6. Pin Assignments for the Interface Connector>

Terminal	Symbol	Functions
Pin No.	Symbol	Description
1	CABC_ENABLE	CABC_ENABLE
2	H_GND	Ground
3	LANE1_N	eDP RX channel 1 negative
4	LANE1_P	eDP RX channel 1 positive
5	H_GND	Ground
6	LANE0_N	eDP RX channel 0 negative
7	LANE0_P	eDP RX channel 0 positive
8	H_GND	Ground
9	AUX_CH_P	eDP AUX CH positive
10	AUX_CH_N	eDP AUX CH negative
11	H_GND	Ground
12	LCD_VCC	Power Supply, 3.3V (typ.)
13	LCD_VCC	Power Supply, 3.3V (typ.)
14	LCD_Self_Test	Panel self test enable
15	H_GND	Ground
16	H_GND	Ground
17	HPD	Hot plug detect output
18	BL_GND	LED Ground
19	BL_GND	LED Ground
20	BL_GND	LED Ground
21	BL_GND	LED Ground
22	BL_ENABLE	LED enable pin(+3.3V Input)
23	BL_PWM	System PWM Signal Input
24	NC	No Connection
25	NC	No Connection
26	BL_POWER	LED Power Supply 6V-21V
27	BL_POWER	LED Power Supply 6V-21V
28	BL_POWER	LED Power Supply 6V-21V
29	BL_POWER	LED Power Supply 6V-21V
30	COLOR_ENABLE	COLOR_ENABLE

PRODUCT GROUP

REV

ISSUE DATE

BOE

LCM PRODUCT

P0

2016.01.15

SPEC. NUMBER

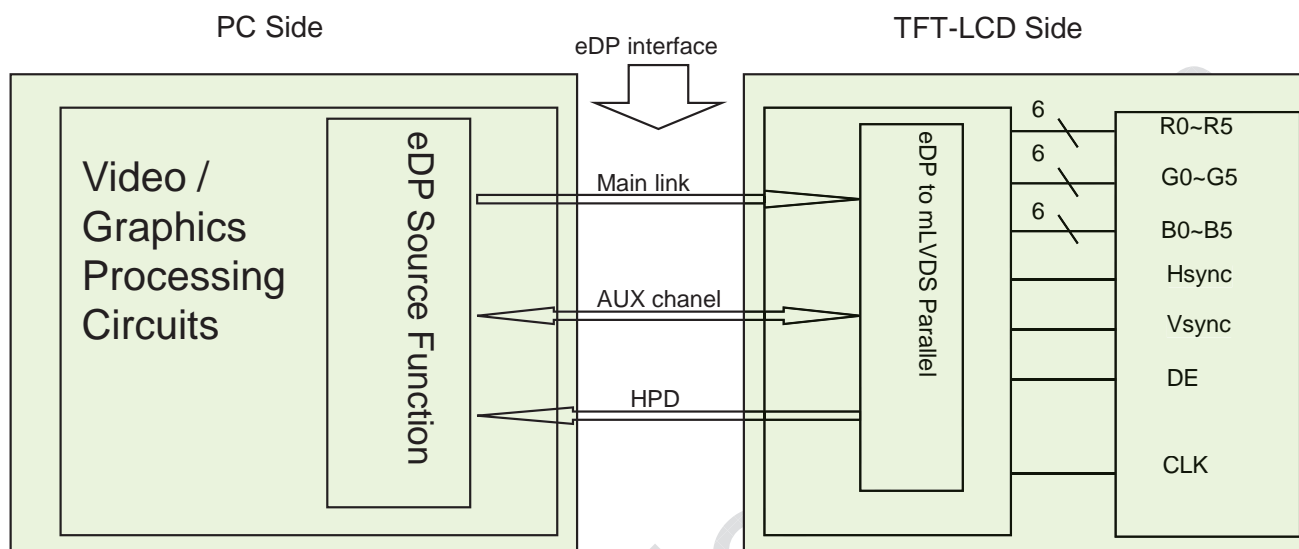
SPEC. TITLE

PAGE

NV140FHM-N47 Preliminary Product Specification

16 OF 33

## 5-2. eDP Interface



Note. Transmitter : DP661A or equivalent.

Transmitter is not contained in Module.



PRODUCT GROUP

REV

ISSUE DATE

BOE

LCM PRODUCT

P0

2016.01.15

SPEC. NUMBER

SPEC. TITLE

PAGE

NV140FHM-N47 Preliminary Product Specification

17 OF 33

**5.3 Back-light & LCM Interface Connection**

&lt;Table 7. Pin Assignments for the BLU &amp; LCM Connector&gt;

Pin No.	Symbol	Description	Pin No.	Symbol	Description
1	LED	LED cathode connection	6	GND	GND
2	LED	LED cathode connection	7	NC	No Connection
3	LED	LED cathode connection	8	Vout	LED anode connection
4	LED	LED cathode connection	9	Vout	LED anode connection
5	NC	No Connection	10	Vout	LED anode connection

## PRODUCT GROUP

REV

ISSUE DATE

BOE

LCM PRODUCT

P0

2016.01.15

SPEC. NUMBER

SPEC. TITLE

PAGE

NV140FHM-N47 Preliminary Product Specification

18 OF 33

**6.0 SIGNAL TIMING SPECIFICATION****6.1 The NV140FHM-N47 is operated by the DE only.**

Item		Symbols	Min	Typ	Max	Unit
Clock	Frequency	1/Tc	100	148.5	160	MHz
Frame Period		Tv	1112	1125	1238	lines
			-	60	-	Hz
			25	16.67	15.15	ms
Vertical Display Period		Tvd	-	1080	-	lines
One line Scanning Period		Th	2080	2200	2400	clocks
Horizontal Display Period		Thd	-	1920	-	clocks

PRODUCT GROUP

REV

ISSUE DATE

BOE

LCM PRODUCT

P0

2016.01.15

SPEC. NUMBER

SPEC. TITLE

PAGE

NV140FHM-N47 Preliminary Product Specification

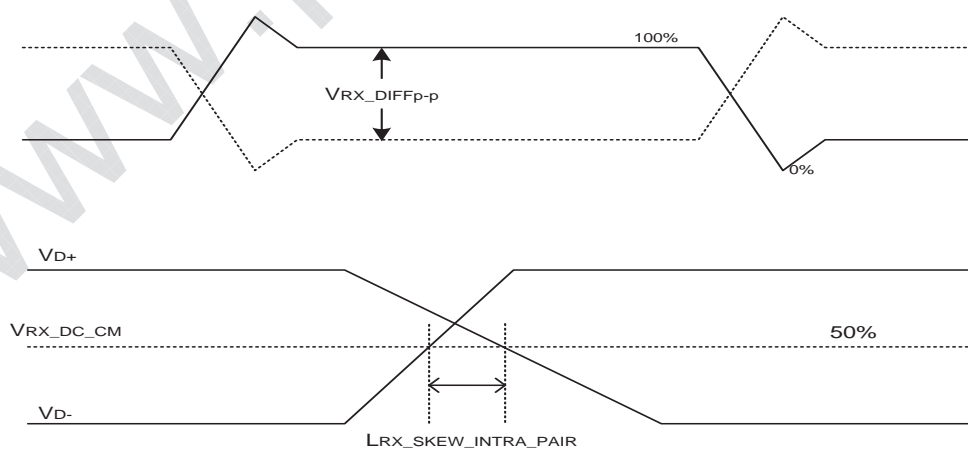
19 OF 33

## 6.2 eDP Rx Interface Timing Parameter

The specification of the eDP Rx interface timing parameter is shown in Table 8.

<Table 9. eDP Rx Interface Timing Specification>

Item	Symbol	Min	Typ	Max	Unit	Remark
Spread spectrum clock	SSC		0.5		%	
Differential peak-to-peak input voltage at package pins	VRX-DIFFp-p	500	0	1000	mV	
Rx input DC common mode voltage	VRX_DC_CM	-	GND	-	V	
Differential termination resistance	RRX-DIFF	80	-	100	$\Omega$	
Single-ended termination resistance	RRX-SE	40	-	60	$\Omega$	
Rx short circuit current limit	IRX_SHORT	-	-	20	mA	
Intra-pair skew at Rx package pins (HBR) RX intra-pair skew tolerance at HBR	LRX_SKEW_INTRA_PAIR	-	-	150	ps	



PRODUCT GROUP

REV

ISSUE DATE

**BOE**

LCM PRODUCT

P0

2016.01.15

SPEC. NUMBER

SPEC. TITLE

PAGE

NV140FHM-N47 Preliminary Product Specification

20 OF 33

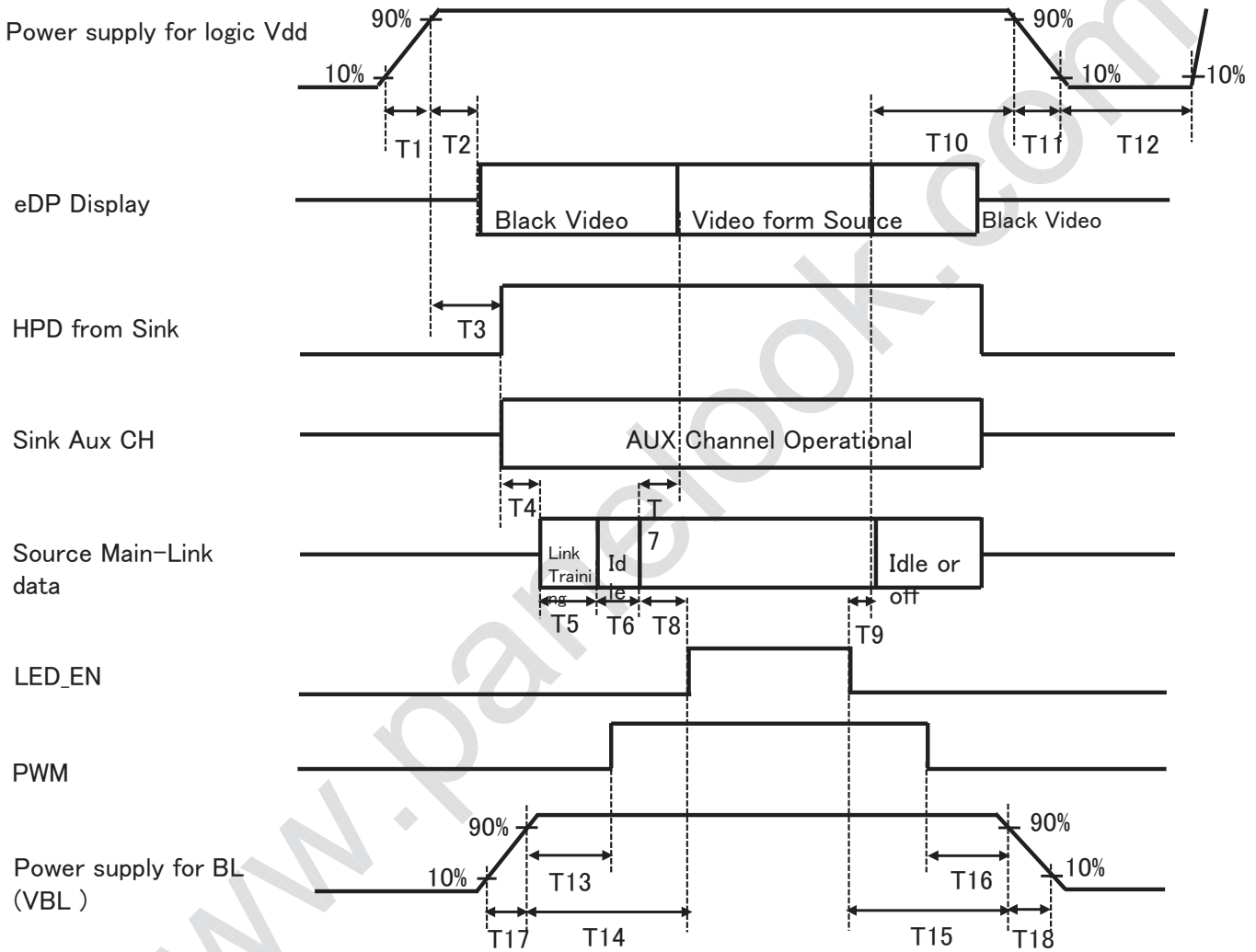
**7.0 INPUT SIGNALS, BASIC DISPLAY COLORS & GRAY SCALE OF COLORS**

	Colors & Gray scale	Data signal																	
		R0	R1	R2	R3	R4	R5	G0	G1	G2	G3	G4	G5	B0	B1	B2	B3	B4	B5
Basic colors	Black	0	0	0	0	0	0	0	0	0	0	0	0	0	0	0	0	0	0
	Blue	0	0	0	0	0	0	0	0	0	0	0	0	1	1	1	1	1	1
	Green	0	0	0	0	0	0	1	1	1	1	1	1	0	0	0	0	0	0
	Light Blue	0	0	0	0	0	0	1	1	1	1	1	1	1	1	1	1	1	1
	Red	1	1	1	1	1	1	0	0	0	0	0	0	0	0	0	0	0	0
	Purple	1	1	1	1	1	1	0	0	0	0	0	0	1	1	1	1	1	1
	Yellow	1	1	1	1	1	1	1	1	1	1	1	1	0	0	0	0	0	0
	White	1	1	1	1	1	1	1	1	1	1	1	1	1	1	1	1	1	1
Gray scale of Red	Black	0	0	0	0	0	0	0	0	0	0	0	0	0	0	0	0	0	0
	△	1	0	0	0	0	0	0	0	0	0	0	0	0	0	0	0	0	0
	Darker	0	1	0	0	0	0	0	0	0	0	0	0	0	0	0	0	0	0
	△																		
	▽																		
	Brighter	1	0	1	1	1	1	0	0	0	0	0	0	0	0	0	0	0	0
	▽	0	1	1	1	1	1	0	0	0	0	0	0	0	0	0	0	0	0
Red	1	1	1	1	1	1	0	0	0	0	0	0	0	0	0	0	0	0	
Gray scale of Green	Black	0	0	0	0	0	0	0	0	0	0	0	0	0	0	0	0	0	0
	△	0	0	0	0	0	0	1	0	0	0	0	0	0	0	0	0	0	0
	Darker	0	0	0	0	0	0	0	1	0	0	0	0	0	0	0	0	0	0
	△																		
	▽																		
	Brighter	0	0	0	0	0	0	1	0	1	1	1	1	0	0	0	0	0	0
	▽	0	0	0	0	0	0	0	1	1	1	1	1	0	0	0	0	0	0
Green	0	0	0	0	0	0	1	1	1	1	1	1	0	0	0	0	0	0	
Gray scale of Blue	Black	0	0	0	0	0	0	0	0	0	0	0	0	0	0	0	0	0	0
	△	0	0	0	0	0	0	0	0	0	0	0	0	1	0	0	0	0	0
	Darker	0	0	0	0	0	0	0	0	0	0	0	0	0	1	0	0	0	0
	△																		
	▽																		
	Brighter	0	0	0	0	0	0	0	0	0	0	0	0	1	0	1	1	1	1
	▽	0	0	0	0	0	0	0	0	0	0	0	0	0	1	1	1	1	1
Blue	0	0	0	0	0	0	0	0	0	0	0	0	1	1	1	1	1	1	
Gray scale of White & Black	Black	0	0	0	0	0	0	0	0	0	0	0	0	0	0	0	0	0	0
	△	1	0	0	0	0	0	1	0	0	0	0	0	1	0	0	0	0	0
	Darker	0	1	0	0	0	0	0	1	0	0	0	0	0	1	0	0	0	0
	△																		
	▽																		
	Brighter	1	0	1	1	1	1	1	0	1	1	1	1	1	0	1	1	1	1
▽	0	1	1	1	1	1	0	1	1	1	1	1	0	1	1	1	1	1	
White	1	1	1	1	1	1	1	1	1	1	1	1	1	1	1	1	1	1	

PRODUCT GROUP		REV	ISSUE DATE	<b>BOE</b>
LCM PRODUCT		P0	2016.01.15	
SPEC. NUMBER	SPEC. TITLE		PAGE	
	NV140FHM-N47 Preliminary Product Specification		21 OF 33	

### 8.0 POWER SEQUENCE

To prevent a latch-up or DC operation of the LCD module, the power on/off sequence shall be as shown in below



- 0.5ms ≤ T1 ≤ 10 ms
- 0ms ≤ T2 ≤ 200 ms
- 0ms ≤ T3 ≤ 200 ms
- 10ms ≤ T13
- 20ms ≤ T14
- 0.5ms ≤ T17 ≤ 20ms
- 0ms ≤ T7 ≤ 50ms
- 0ms ≤ T10 ≤ 500 ms
- 3ms ≤ T11 ≤ 10 ms
- 500ms ≤ T12
- 20ms ≤ T15
- 10ms ≤ T16
- 0.5ms ≤ T18 ≤ 20ms

**Notes:**

- When the power supply VDD is 0V, keep the level of input signals on the low or keep high impedance.
- Do not keep the interface signal high impedance when power is on. Back Light must be turn on after power for logic and interface signal are valid.

## PRODUCT GROUP

REV

ISSUE DATE

BOE

LCM PRODUCT

P0

2016.01.15

SPEC. NUMBER

SPEC. TITLE

PAGE

NV140FHM-N47 Preliminary Product Specification

22 OF 33

**9.0 Connector Description**

Physical interface is described as for the connector on LCM.

These connectors are capable of accommodating the following signals and will be following components.

**9.1 TFT LCD Module**

Connector Name /Description	For Signal Connector
Manufacturer	UJU or Compatible
Type/ Part Number	IS050-L30B-C10 or Compatible
Mating housing/ Part Number	I-PEX 20454-030T or Compatible

## PRODUCT GROUP

REV

ISSUE DATE

BOE

LCM PRODUCT

P0

2016.01.15

SPEC. NUMBER

SPEC. TITLE

PAGE

NV140FHM-N47 Preliminary Product Specification

23 OF 33

**10.0 MECHANICAL CHARACTERISTICS****10.1 Dimensional Requirements**

FIGURE 6 shows mechanical outlines for the model NV140FHM-N47.  
Other parameters are shown in Table 9.

&lt;Table 9. Dimensional Parameters&gt;

Parameter	Specification	Unit
Active Area	309.31 (H) x 173.99 (V)	
Number of pixels	1920 (H) x 1080 (V)	
Pixel pitch	0.1611 (H) x 0.1611 (V)	mm
Pixel arrangement	RGB Vertical stripe	
Display colors	262K	
Display mode	Normally Black	
Dimensional outline	320.4(H)*188.2(V) (W/PCB)*5.25(Max) 320.4(H)*187.1(V)(W/O PCB)*3.0(Max)	mm
Weight	300(max)	gram
Back Light	Connector :TBD	
	LED, Horizontal-LED Array type	

**10.2 Mounting**

See FIGURE 6.

**10.3 AG and Polarizer Hardness.**

The surface of the LCD has a Anti Glare coating to minimize reflection and a coating to reduce scratching.

**10.4 Light Leakage**

There shall not be visible light from the back-lighting system around the edges of the screen as seen from a distance 50cm from the screen with an overhead light level of 350lux.

PRODUCT GROUP		REV	ISSUE DATE	<b>BOE</b>
LCM PRODUCT		P0	2016.01.15	
SPEC. NUMBER	SPEC. TITLE			PAGE
	NV140FHM-N47 Preliminary Product Specification			24 OF 33

## (4) Cautions for the atmosphere

- Dew drop atmosphere should be avoided.
- Do not store and/or operate the LCD module in a high temperature and/or humidity atmosphere. Storage in an electro-conductive polymer packing pouch and under relatively low temperature atmosphere is recommended.

## (5) Cautions for the module characteristics

- Do not apply fixed pattern data signal to the LCD module at product aging.
- Applying fixed pattern for a long time may cause image sticking.

## (6) Other cautions

- Do not disassemble and/or re-assemble LCD module.
- Do not re-adjust variable resistor or switch etc.
- When returning the module for repair or etc., Please pack the module not to be broken. We recommend to use the original shipping packages.



## PRODUCT GROUP

REV

ISSUE DATE

BOE

LCM PRODUCT

P0

2016.01.15

SPEC. NUMBER

SPEC. TITLE

PAGE

NV140FHM-N47 Preliminary Product Specification

25 OF 33

**11.0 RELIABILITY TEST**

The Reliability test items and its conditions are shown in below.

<Table 10. Reliability test>

No	Test Items	Conditions
1	High temperature storage test	Ta = 60 °C, 240 hrs
2	Low temperature storage test	Ta = -20 °C, 240 hrs
3	High temperature & high humidity operation test	Ta = 40 °C, 90%RH, 240 hrs
4	High temperature operation test	Ta = 50 °C, 240 hrs
5	Low temperature operation test	Ta = 0 °C, 240 hrs
6	Thermal shock	Ta = -40 °C ↔ 80 °C (0.5 hr), 100 cycle
7	Drop (non-operating)	60cm/1 corner/3 edges/6 faces
8	Shock test (non-operating)	220G, Half Sine Wave 2msec ± X, ± Y, ± Z Once for each direction
9	Electro-static discharge test (non-operating)	Air : 150 pF, 330Ω, 15 KV Contact : 150 pF, 330Ω, 8 KV

**12.0 HANDLING & CAUTIONS**

## (1) Cautions when taking out the module

- Pick the pouch only, when taking out module from a shipping package.

## (2) Cautions for handling the module

- As the electrostatic discharges may break the LCD module, handle the LCD module with care. Peel a protection sheet off from the LCD panel surface as slowly as possible.
- As the LCD panel and back - light element are made from fragile glass material, impulse and pressure to the LCD module should be avoided.
- As the surface of the polarizer is very soft and easily scratched, use a soft dry cloth without chemicals for cleaning.
- Do not pull the interface connector in or out while the LCD module is operating.
- Put the module display side down on a flat horizontal plane.
- Handle connectors and cables with care.

## (3) Cautions for the operation

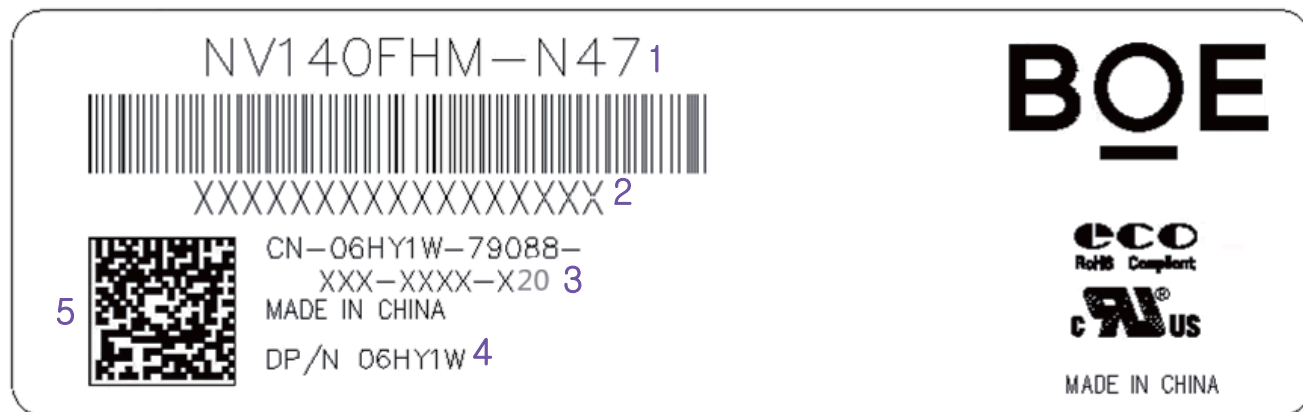
- When the module is operating, do not lose CLK, ENAB signals. If any one of these signals is lost, the LCD panel would be damaged.
- Obey the supply voltage sequence. If wrong sequence is applied, the module would be damaged.

<b>PRODUCT GROUP</b>		REV	ISSUE DATE	<b>BOE</b>
LCM PRODUCT		P0	2016.01.15	
SPEC. NUMBER	SPEC. TITLE			PAGE
	NV140FHM-N47 Preliminary Product Specification			26 OF 33

- (4) Cautions for the atmosphere
  - Dew drop atmosphere should be avoided.
  - Do not store and/or operate the LCD module in a high temperature and/or humidity atmosphere. Storage in an electro-conductive polymer packing pouch and under relatively low temperature atmosphere is recommended.
- (5) Cautions for the module characteristics
  - Do not apply fixed pattern data signal to the LCD module at product aging.
  - Applying fixed pattern for a long time may cause image sticking.
- (6) Other cautions
  - Do not disassemble and/or re-assemble LCD module.
  - Do not re-adjust variable resistor or switch etc.
  - When returning the module for repair or etc., Please pack the module not to be broken. We recommend to use the original shipping packages.

**13.0 LABEL**

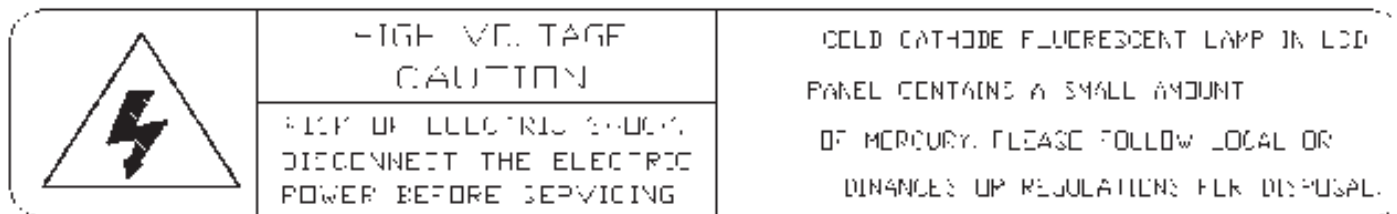
(1) MDL label



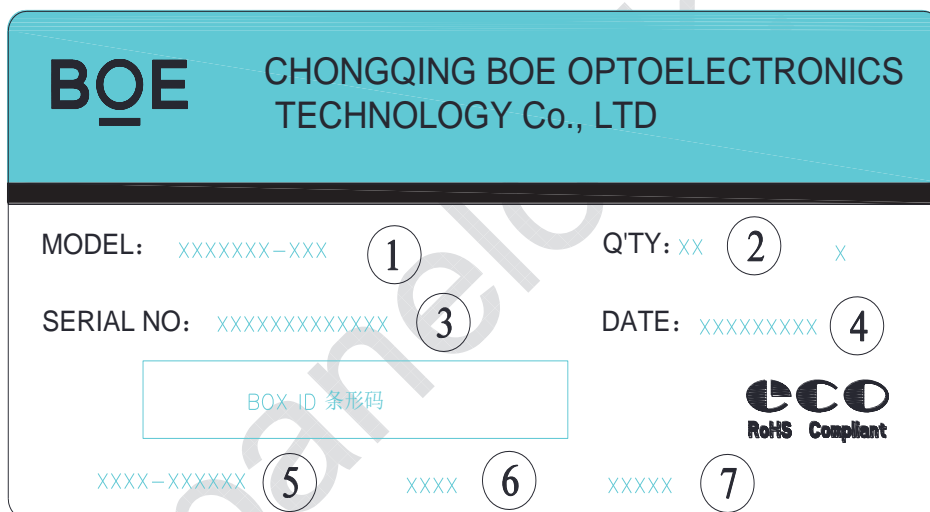
1. BOE module name
2. BOE module ID
3. PPID
4. Dell DPN
5. PPID Quick Response code

PRODUCT GROUP		REV	ISSUE DATE	<b>BOE</b>
LCM PRODUCT		P0	2016.01.15	
SPEC. NUMBER	SPEC. TITLE		PAGE	
	NV140FHM-N47 Preliminary Product Specification		27 OF 33	

(2) High voltage caution label



(3) Box label



序列号标注部分需打印, 说明如下:

1. **FG-CODE(前12位)**
2. **产品数量**
3. **Box ID**
4. **包装日期**
5. **客户端段物料号(客户端)---暂不打印,预留空间**
6. **FG-Code后四位**
7. **供应商代码 ---暂不打印**

**Total Size:110×55mm**

Digit	1	2	3	4	5	6	7	8	9	10	11	12	13
Code	S	L	S	F	1	2	3	D	0	0	0	6	8
Description	Products GBN		Grade	Line	Year		Month	Revision Code	Serial No				

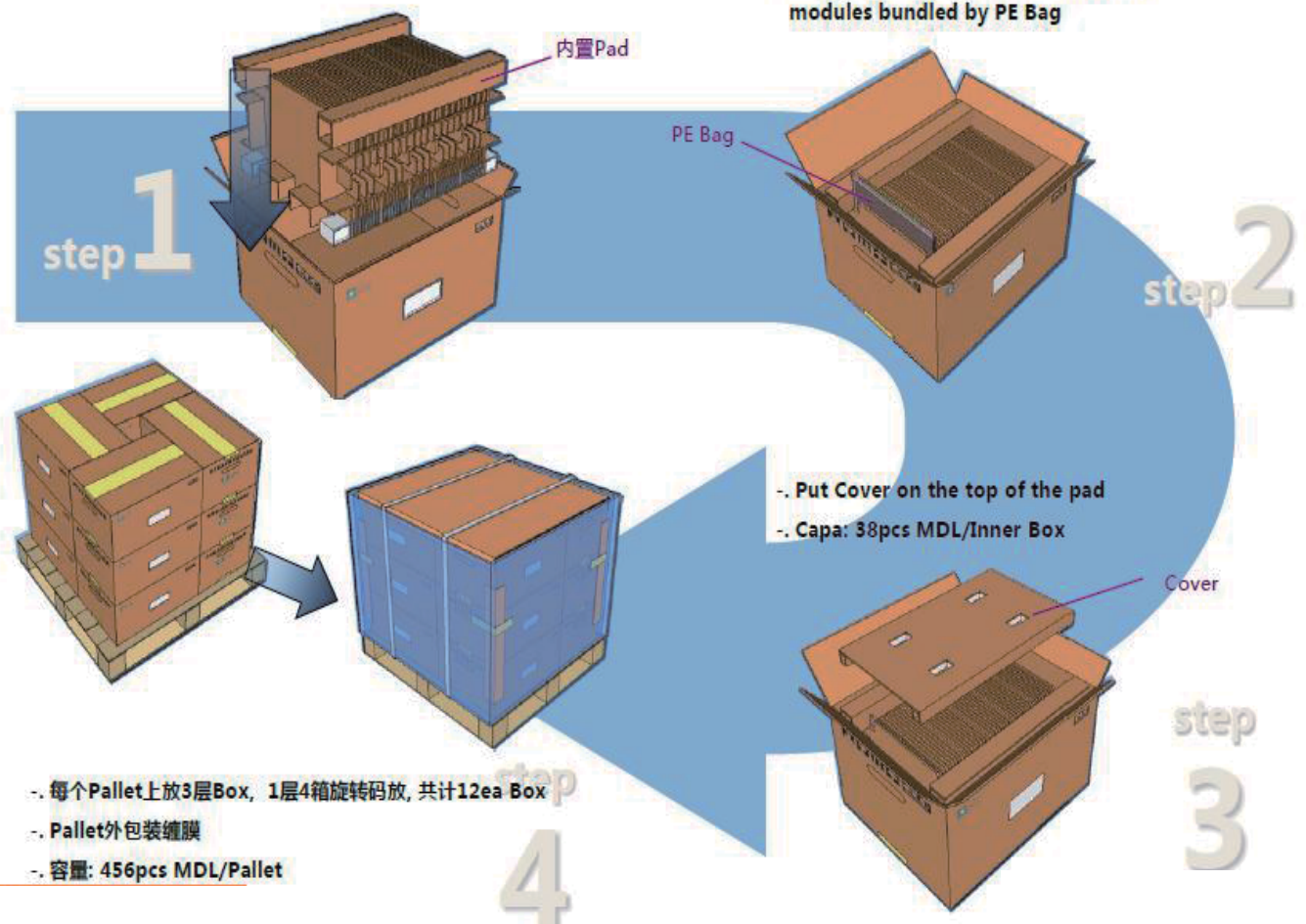
PRODUCT GROUP		REV	ISSUE DATE	<b>BOE</b>
LCM PRODUCT		P0	2016.01.15	
SPEC. NUMBER	SPEC. TITLE			PAGE
	NV140FHM-N47 Preliminary Product Specification			28 OF 33

## 14.0 PACKING INFORMATION

### 14.1 Packing order

- Put Pad into the inner box

- Put module into the paper spacer and modules bundled by PE Bag



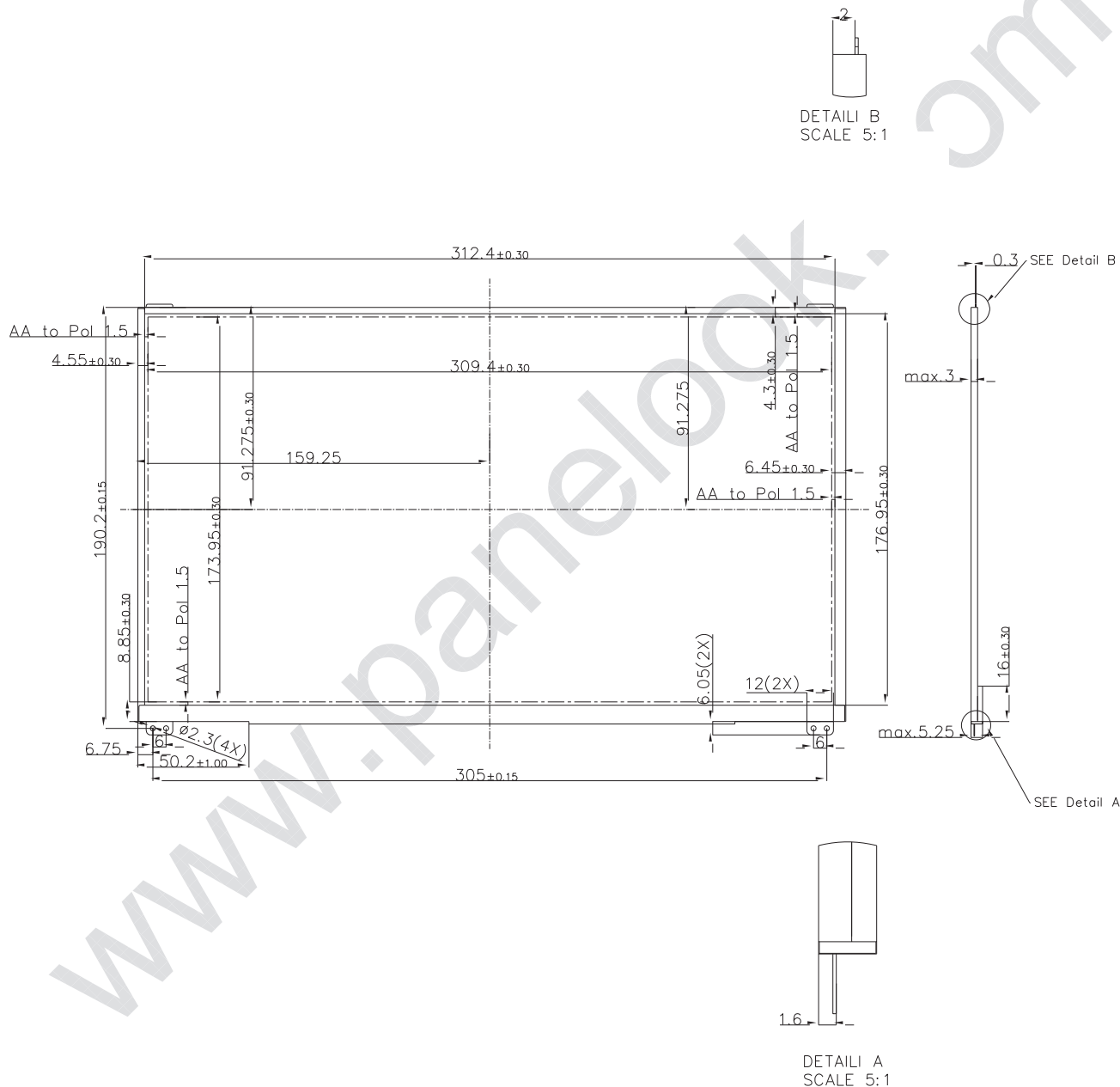
### 14.2 Notes

- Box Dimension: TBD
- Package Quantity in one Box: 25pcs
- Total Weight: TBD

PRODUCT GROUP		REV	ISSUE DATE	<b>BOE</b>
LCM PRODUCT		P0	2016.01.15	
SPEC. NUMBER	SPEC. TITLE			PAGE
	NV140FHM-N47 Preliminary Product Specification			29 OF 33

### 15.0 MECHANICAL OUTLINE DIMENSION

Figure 6. Outline Dimensions (Front view T.B.D)





## PRODUCT GROUP

REV

ISSUE DATE

BOE

LCM PRODUCT

P0

2016.01.15

SPEC. NUMBER

SPEC. TITLE

PAGE

NV140FHM-N47 Preliminary Product Specification

31 OF 33

## 16.0 EDID Table

Address (HEX)	Function	Hex	Dec	crc	Input values.	Notes
00	Header	00	0		0	EDID Header
01		FF	255		255	
02		FF	255		255	
03		FF	255		255	
04		FF	255		255	
05		FF	255		255	
06		FF	255		255	
07		00	0		0	
08	ID Manufacturer Name	09	9		BOE	ID = BOE
09		E5	229			
0A	ID Product Code	EE	238		1774	ID = 1774
0B		06	6			
0C	32-bit serial No.	00	0			
0D		00	0			
0E		00	0			
0F		00	0			
10	Week of manufacture	1	1		1	
11	Year of Manufacture	1A	26		2016	Manufactured in 2016
12	EDID Structure Ver.	01	1		1	EDID Ver 1.0
13	EDID revision #	04	4		4	EDID Rev. 0.4
14	Video input definition	95	149		-	
15	Max H image size	1F	31		31	31 cm (Approx)
16	Max V image size	11	17		17	17 cm (Approx)
17	Display Gamma	78	120		2.2	Gamma curve = 2.2
18	Feature support	0A	10			RGB display, Preferred Timing mode
19	Red/Green low bits	21	33		-	Red / Green Low Bits
1A	Blue/White low bits	90	144		-	Blue / White Low Bits
1B	Red x high bits	A6	166	664	0.649	Red (x) = 10100110 (0.649)
1C	Red y high bits	58	88	354	0.346	Red (y) = 01011000 (0.346)
1D	Green x high bits	54	84	336	0.329	Green (x) = 01010100 (0.329)
1E	Green y high bits	9F	159	637	0.623	Green (y) = 10011111 (0.623)
1F	Blue x high bits	26	38	154	0.151	Blue (x) = 00100110 (0.151)
20	Blue y high bits	10	16	65	0.064	Blue (y) = 00010000 (0.064)
21	White x high bits	50	80	320	0.313	White (x) = 01010000 (0.313)
22	White y high bits	54	84	336	0.329	White (y) = 01010100 (0.329)
23	Established timing 1	00	0		-	
24	Established timing 2	00	0		-	
25	Established timing 3	00	0		-	
26	Standard timing #1	01	1			Not Used
27		01	1			
28	Standard timing #2	01	1			Not Used
29		01	1			
2A	Standard timing #3	01	1			Not Used
2B		01	1			
2C	Standard timing #4	01	1			Not Used
2D		01	1			
2E	Standard timing #5	01	1			Not Used
2F		01	1			
30	Standard timing #6	01	1			Not Used
31		01	1			
32	Standard timing #7	01	1			Not Used
33		01	1			
34	Standard timing #8	01	1			Not Used
35		01	1			

31



<b>PRODUCT GROUP</b>		<b>REV</b>	<b>ISSUE DATE</b>	<b>BOE</b>
<b>LCM PRODUCT</b>		<b>P0</b>	<b>2016.01.15</b>	
<b>SPEC. NUMBER</b>	<b>SPEC. TITLE</b>			<b>PAGE</b>
	<b>NV140FHM-N47 Preliminary Product Specification</b>			<b>32 OF 33</b>

**16.0 EDID Table**

36	Detailed timing/monitor descriptor #1	3C	60		141.40	141.4MHz Main clock	
37		37	55				
38		80	128		1920	Hor Active = 1920	
39		DE	222		222	Hor Blanking = 222	
3A		70	112		-	4 bits of Hor. Active + 4 bits of Hor. Blanking	
3B		38	56		1080	Ver Active = 1080	
3C		14	20		20	Ver Blanking = 20	
3D		40	64		-	4 bits of Ver. Active + 4 bits of Ver. Blanking	
3E		30	48		48	Hor Sync Offset = 48	
3F		20	32		32	H Sync Pulse Width = 32	
40		36	54		3	V sync Offset = 3 line	
41		00	0		6	V Sync Pulse width : 6 line	
42		35	53		309	Horizontal Image Size = 309 mm (Low 8 bits)	
43		AD	173		173	Vertical Image Size = 173 mm (Low 8 bits)	
44		10	16		-	4 bits of Hor Image Size + 4 bits of Ver Image Size	
45		00	0		0	Hor Border (pixels)	
46		00	0		0	Vertical Border (Lines)	
47		1A	26			Refer to right table	
48		Detailed timing/monitor descriptor #2	30	48		113.12	113.12MHz Main clock
49			2C	44			
4A	80		128		1920	Hor Active = 1920	
4B	DE		222		222	Hor Blanking = 222	
4C	70		112		-	4 bits of Hor. Active + 4 bits of Hor. Blanking	
4D	38		56		1080	Ver Active = 1080	
4E	14		20		20	Ver Blanking = 20	
4F	40		64		-	4 bits of Ver. Active + 4 bits of Ver. Blanking	
50	30		48		48	Hor Sync Offset = 48	
51	20		32		32	H Sync Pulse Width = 32	
52	36		54		3	V sync Offset = 3 line	
53	00		0		6	V Sync Pulse width : 6 line	
54	35		53		309	Horizontal Image Size = 309 mm (Low 8 bits)	
55	AD		173		173	Vertical Image Size = 173 mm (Low 8 bits)	
56	10		16		-	4 bits of Hor Image Size + 4 bits of Ver Image Size	
57	00		0		0	Hor Border (pixels)	
58	00		0		0	Vertical Border (Lines)	
59	1A		26				
5A	Detailed timing/monitor descriptor #3		00	0			ASCII Data Sting Tag
5B			00	0			
5C		00	0				
5D		FE	254				
5E		00	0			D/PN:6HY1W	
5F		36	54				6
60		48	72				H
61		59	89				Y
62		31	49		1	BOE PN	
63		57	87		W		
64		14	20		00010100		
65		4E	78		N		
66		56	86		V		
67		31	49		1		
68	34	52		4			
69	4E	78		N			
6A	34	52		4			
6B	37	55		7			





<b>PRODUCT GROUP</b>		REV	ISSUE DATE	<b>BOE</b>
LCM PRODUCT		P0	2016.01.15	
SPEC. NUMBER	SPEC. TITLE			PAGE
	NV140FHM-N47 Preliminary Product Specification			33 OF 33

**16.0 EDID Table**

6C	Detailed timing/monitor descriptor #4	00	0			Product Name Tag (ASCII)
6D		00	0			
6E		00	0			
6F		00	0			
70		00	0			
71		00	0		00000000	6-bit Color Depth & NO FRC
72		41	65		01000001	WLED & singal light bar & one light bar
73		11	17		00010001	Frame rate 40Hz~65Hz
74		9E	158		10011110	Light Controller:PWM & Max. Luminance 300
75		00	0		00000000	Front Surface:Anti-Glare& RGB v-stripe
76		00	0		00010000	with DBC
77		00	0		00000000	no Motion Blur & no Active Gamma
78		00	0		00000000	no Wireless Enhancement & no In-Cell Scanner
79		0A	10		00001010	2 Lane edp1.3
7A	01	1		00000001	Built-In Self Test	
7B	0A	10				
7C	20	32				
7D	20	32				
7E	Extension flag	00	0			
7F	Checksum	12	18	18	-	

www.panelook.com