



PROPRIETARY NOTE

THIS SPECIFICATION IS THE PROPERTY OF BOE BJ AND SHALL NOT BE REPRODUCED OR COPIED WITHOUT THE WRITTEN PERMISSION OF BOE BJ AND MUST BE RETURNED TO BOE BJ UPON ITS REQUEST

SPEC. NUMBER

PRODUCT GROUP

Rev.

ISSUE DATE

PAGE

TFT-LCD

P0

2016.05.06

1 OF 34

**PRODUCT SPECIFICATION
FOR
APPROVAL**

Model Name	NV156QUM-N44
Description	15.6UHD color TFT-LCD with LED backlight / AG surface
Prepared by	
Checked by	
Approved by	

Customer	Lenovo
<p>_____</p> <p>_____</p> <p>_____</p>	
<p>_____</p> <p>_____</p> <p>_____</p>	
<p>Please return one copy for confirmation with your signature and comments</p>	



PROPRIETARY NOTE

THIS SPECIFICATION IS THE PROPERTY OF BOE BJ AND SHALL NOT BE REPRODUCED OR COPIED WITHOUT THE WRITTEN PERMISSION OF BOE BJ AND MUST BE RETURNED TO BOE BJ UPON ITS REQUEST

SPEC. NUMBER

PRODUCT GROUP

Rev.

ISSUE DATE

PAGE

TFT-LCD

P0

2016.05.06

2 OF 34

NV156QUM-N44

Preliminary Product Specification

Rev. P0

HEFEI BOE OPTOELECTRONICS TECHNOLOGY



PRODUCT GROUP

REV

ISSUE DATE

TFT- LCD PRODUCT

P0

2016.05.06

SPEC. NUMBER

SPEC. TITLE

NV156QUM-N44 Preliminary Product Specification

PAGE

3 OF 34

REVISION HISTORY

REV	ECN No.	DESCRIPTION OF CHANGES	DATE	PREPARED
P0	-	Initial Release	2016.05.06	史高飞
P1		LR→AG POL	2016.07.14	史高飞

Contents

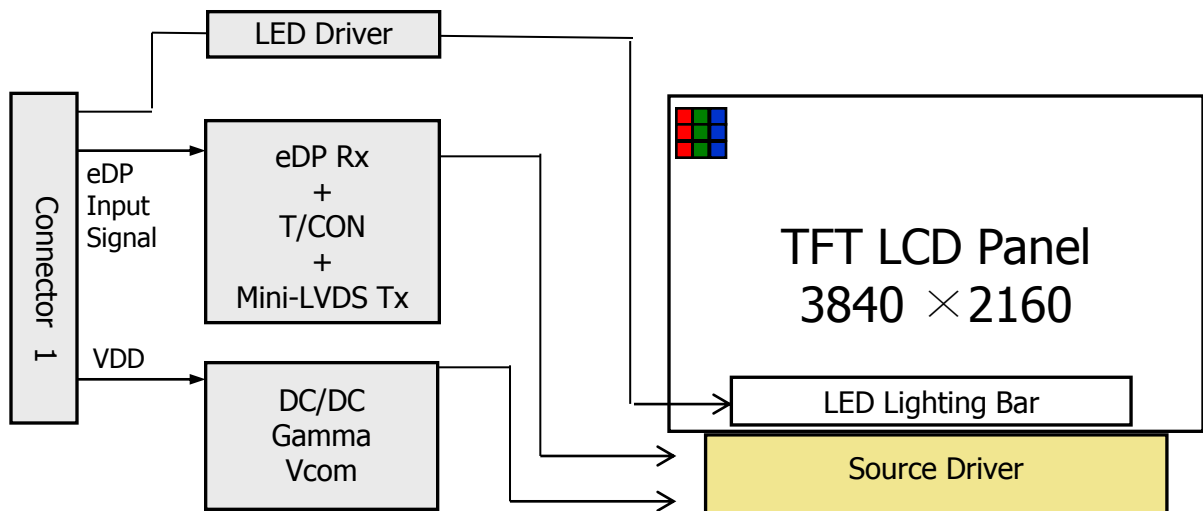
No.	Items	Page
1.0	General Description	5
2.0	Absolute Maximum ratings	7
3.0	Electrical specifications.	8
4.0	Optical specifications.	11
5.0	Interface Connection	16
6.0	Signal Timing Specification	19
7.0	Input Signals, Display Colors & Gray Scale of Colors	21
8.0	Power Sequence	22
9.0	Connector description	23
10.0	Mechanical Characteristics	24
11.0	Reliability Test	25
12.0	Handling & Cautions.	25
13.0	Label	26
14.0	Packing information	28
15.0	Mechanical Outline Dimension	29
16.0	EDID Table	31

1.0 GENERAL DESCRIPTION

1.1 Introduction

NV156QUM-N32 is a color active matrix TFT LCD module using amorphous silicon TFT's (Thin Film Transistors) as an active switching devices. This module has a 15.6 inch diagonally measured active area with Ultra-HD resolutions (3840 horizontal by 2160 vertical pixel array). Each pixel is divided into RED, GREEN, BLUE dots which are arranged in vertical Stripe and this module can display 16.7M colors. The TFT-LCD panel used for this module is a low reflection and higher color type. Therefore, this module is suitable for Notebook PC. The LED Driver for back-light driving is built in this model.

All input signals are eDP interface compatible.



1.2 Features

- 4 lane eDP Interface with 2.7Gbps Link Rates
- Thin and light weight
- 8-bit color depth, display 16.7M colors
- Single LED Lighting Bar. (Bottom side/Horizontal Direction)
- Data enable signal mode
- Green Product (RoHS & Halogen free product)
- On board LED Driving circuit
- Low driving voltage and low power consumption
- On board EDID chip

1.3 Application

- Notebook PC (Wide type)

1.4 General Specification

The followings are general specifications at the model NV156QUM-N32. (listed in Table 1.)

<Table 1. General Specifications>

Parameter	Specification	Unit	Remarks
Active area	345.6(H) × 194.4(V)	mm	
Number of pixels	3840 (H) × 2160 (V)	pixels	
Pixel pitch	0.09(H) × 0.09 (V)	mm	
Pixel arrangement	RGB Vertical stripe		
Display colors	16.7M	colors	
Display mode	Normally Black		
Dimensional outline	351.9 (H) × 206.4(V) × 3.2 (D:max)	mm	
Weight	365 (max)	g	
Surface treatment	HC, 3H, (Front Polarizer)		
Back-light	Bottom edge side, 1-LED Lighting Bar type		Note 1
Power consumption	P_D : 2.0 max	W	Note 2
	P_{BL} : 4.6 max	W	
	P_{total} : 6.6 max	W	

Notes : 1. LED Lighting Bar (63*LED Array)

Notes: 2. Typical Measurement Condition : Mosaic pattern

2.0 ABSOLUTE MAXIMUM RATINGS

The followings are maximum values which, if exceed, may cause faulty operation or damage to the unit. The operational and non-operational maximum voltage and current values are listed in Table 2.

< Table 2. Absolute Maximum Ratings >

Ta=25+/-2°C

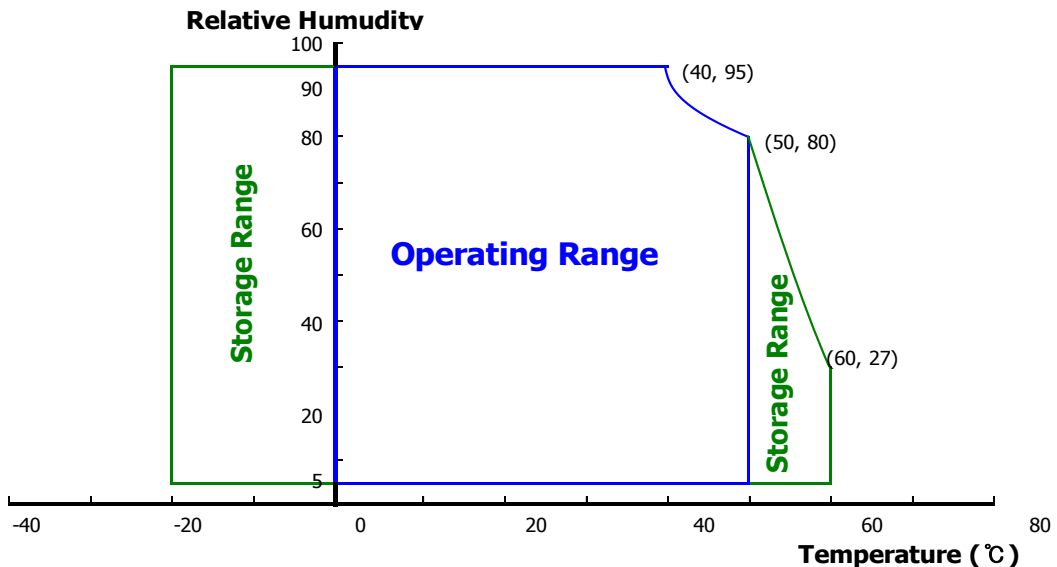
Parameter	Symbol	Min.	Max.	Unit	Remarks
Power Supply Voltage	V _{DD}	5	21	V	Note 1
Logic Supply Voltage	V _{IN}	V _{SS} -0.3	V _{DD} +0.3	V	
Operating Temperature	T _{OP}	0	+50	°C	Note 2
Storage Temperature	T _{ST}	-20	+60	°C	

Notes : 1. Permanent damage to the device may occur if maximum values are exceeded functional operation should be restricted to the condition described under normal operating conditions.

2. Temperature and relative humidity range are shown in the figure below.

95 % RH Max. (40 °C ≥ Ta)

Maximum wet - bulb temperature at 39 °C or less. (Ta > 40 °C) No condensation.



3.0 ELECTRICAL SPECIFICATIONS

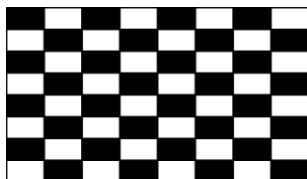
3.1 Electrical Specifications

< Table 3. Electrical specifications >

Ta=25+/-2°C

Parameter		Min.	Typ.	Max.	Unit	Remarks
Power Supply Voltage	V _{DD}	3.0	3.3	3.6	V	Note 1
Permissible Input Ripple Voltage	V _{RF}	-	100	-	mV	At V _{DD} = 3.3V
Power Supply Current	I _{DD}	-	600	1200	mA	Note 1
Positive-going Input Threshold Voltage	V _{IT+}	-	-	100	mV	V _{cm} = 1.2V typ.
Negative-going Input Threshold Voltage	V _{IT-}	-100	-	-	mV	
Differential Input Voltage	V _{ID}	200	-	600	mV	
Power Consumption	P _D	-	-	2.0	W	Note 1
	P _{BL}	-	-	4.6	W	Note 2
	P _{total}	-	-	6.6	W	

Notes : 1. The supply voltage is measured and specified at the interface connector of LCM.
 The current draw and power consumption specified is for 3.3V at 25°C.
 Pattern type : Mosaic 32x32



2. Calculated value for reference (V_{LED} × I_{LED})

3.2 Backlight Unit

< Table 4. LED Driving guideline specifications >

Ta=25+/-2°C

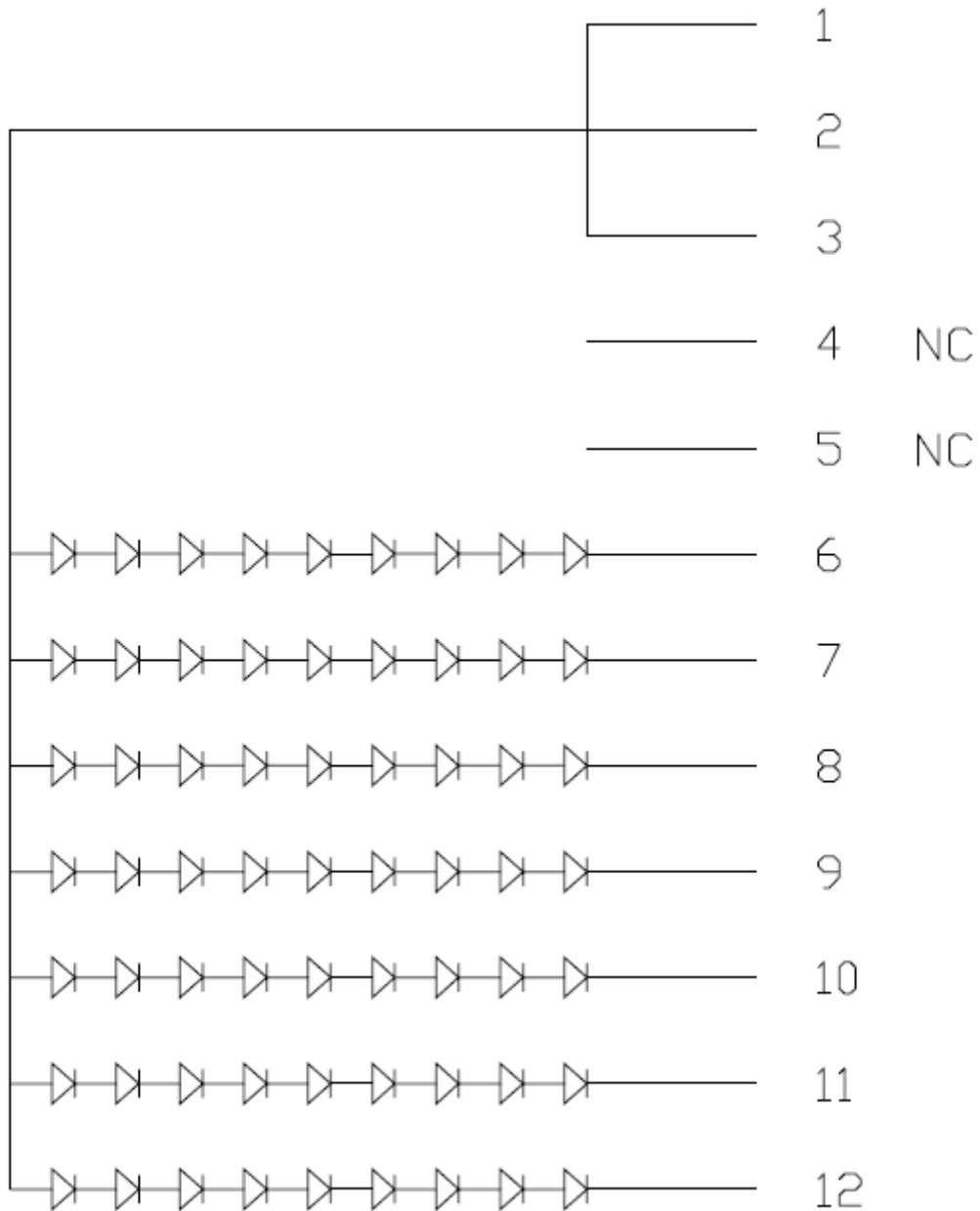
Parameter		Min.	Typ.	Max.	Unit	Remarks	
LED Forward Voltage		V _F	-	-	3.0	V	-
LED Forward Current		I _F	-	21	-	mA	-
LED Power Consumption		P _{LED}	-	-	4.6	W	Note 1
LED Life-Time		N/A	15,000	-	-	Hour	I _F = 20mA
Power supply voltage for LED Driver		V _{LED}	5	12	21	V	
EN Control Level	Backlight on		2.1		5.0	V	
	Backlight off		0		0.8	V	
PWM Control Level	PWM High Level		2.1		5.0	V	
	PWM Low Level		0		0.8	V	
PWM Control Frequency		F _{PWM}	200	-	10,000	Hz	
Duty Ratio		-	1	-	100	%	

Notes : 1. Power supply voltage 12V for LED Driver, Driver efficiency 87%,

Calculator Value for reference $I_F \times V_F \times 40 / 0.87 = P_{LED}$

2. The LED Life-time define as the estimated time to 50% degradation of initial luminous.

3.3 LED structure



4.0 OPTICAL SPECIFICATION

4.1 Overview

The test of Optical specifications shall be measured in a dark room (ambient luminance ≤ 1 lux and temperature = $25 \pm 2^\circ\text{C}$) with the equipment of Luminance meter system (Goniometer system and TOPCON BM-5) and test unit shall be located at an approximate distance 50cm from the LCD surface at a viewing angle of θ and Φ equal to 0° . We refer to $\theta\emptyset=0$ ($=\theta_3$) as the 3 o'clock direction (the "right"), $\theta\emptyset=90$ ($=\theta_{12}$) as the 12 o'clock direction ("upward"), $\theta\emptyset=180$ ($=\theta_9$) as the 9 o'clock direction ("left") and $\theta\emptyset=270$ ($=\theta_6$) as the 6 o'clock direction ("bottom"). While scanning θ and/or \emptyset , the center of the measuring spot on the Display surface shall stay fixed. The backlight should be operating for 30 minutes prior to measurement. VDD shall be $3.3 \pm 0.3\text{V}$ at 25°C . Optimum viewing angle direction is 6 'clock.

4.2 Optical Specifications

<Table 5. Optical Specifications>

Parameter		Symbol	Condition	Min.	Typ.	Max.	Unit	Remark
Viewing Angle range	Horizontal	Θ_3	CR > 10		85	-	Deg.	Note 1
		Θ_9			85	-	Deg.	
	Vertical	Θ_{12}			85	-	Deg.	
		Θ_6			85	-	Deg.	
Luminance Contrast ratio		CR	$\Theta = 0^\circ$	-	1000			Note 2
Luminance of White	5 Points	Y_w	$\Theta = 0^\circ$ ILED = 20mA	255	300	-	cd/m ²	Note 3
White Luminance uniformity	5 Points	ΔY_5		80	-	-		Note 4
	13 Points	ΔY_{13}		60	-	-		
White Chromaticity		x_w	$\Theta = 0^\circ$	0.283	0.313	0.343		Note 5
		y_w		0.299	0.329	0.359		
Reproduction of color	Red	x_R	$\Theta = 0^\circ$	-0.03	TBD	+0.03		
		y_R			TBD			
	Green	x_G			TBD			
		y_G			TBD			
	Blue	x_B			TBD			
		y_B			TBD			
Gamut				68	72	-	%	
Response Time (Rising + Falling)		T_{RT}	Ta = 25°C $\Theta = 0^\circ$	-	30	35	ms	Note 6
Cross Talk		CT	$\Theta = 0^\circ$	-	-	2.0	%	Note 7

Notes :

1. Viewing angle is the angle at which the contrast ratio is greater than 10. The viewing angles are determined for the horizontal or 3, 9 o'clock direction and the vertical or 6, 12 o'clock direction with respect to the optical axis which is normal to the LCD surface (see FIGURE 1).

2. Contrast measurements shall be made at viewing angle of $\Theta = 0$ and at the center of the LCD surface. Luminance shall be measured with all pixels in the view field set first to white, then to the dark (black) state .

(see FIGURE 1) Luminance Contrast Ratio (CR) is defined mathematically.

$$CR = \frac{\text{Luminance when displaying a white raster}}{\text{Luminance when displaying a black raster}}$$

3. Center Luminance of white is defined as luminance values of 5 point average across the LCD surface. Luminance shall be measured with all pixels in the view field set first to white. This measurement shall be taken at the locations shown in FIGURE 2 for a total of the measurements per display.

4. The White luminance uniformity on LCD surface is then expressed as : $\Delta Y = \text{Minimum Luminance of 5(or 13) points} / \text{Maximum Luminance of 5(or 13) points}$.
(see FIGURE 2 and FIGURE 3).

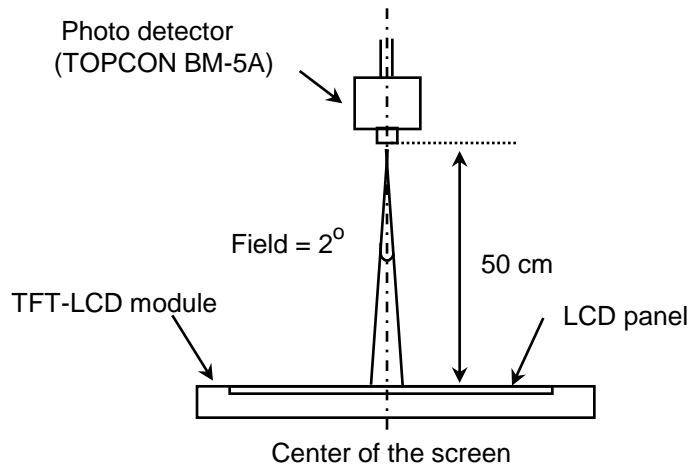
5. The color chromaticity coordinates specified in Table 5 shall be calculated from the spectral data measured with all pixels first in red, green, blue and white. Measurements shall be made at the center of the panel.

6. The electro-optical response time measurements shall be made as FIGURE 4 by switching the "data" input signal ON and OFF. The times needed for the luminance to change from 10% to 90% is T_r , and 90% to 10% is T_d .

7. Cross-Talk of one area of the LCD surface by another shall be measured by comparing the luminance (Y_A) of a 25mm diameter area, with all display pixels set to a gray level, to the luminance (Y_B) of that same area when any adjacent area is driven dark.
(See FIGURE 5).

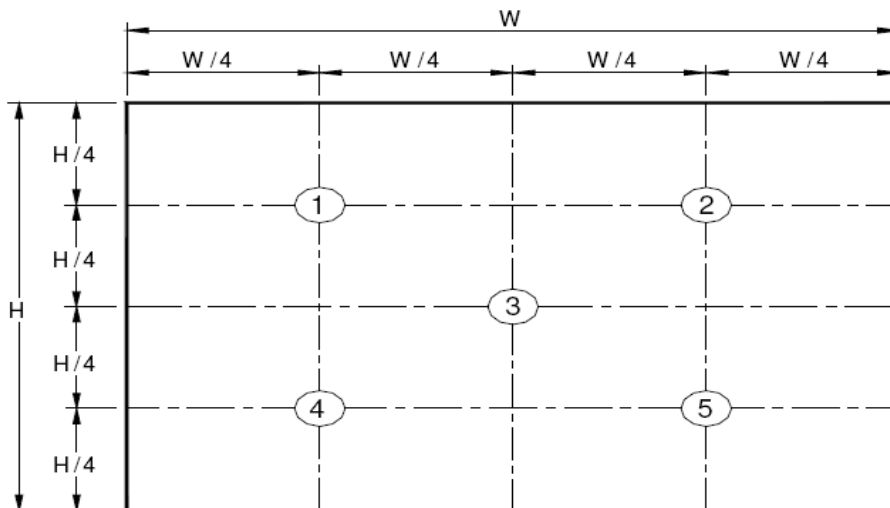
4.3 Optical measurements

Figure 1. Measurement Set Up



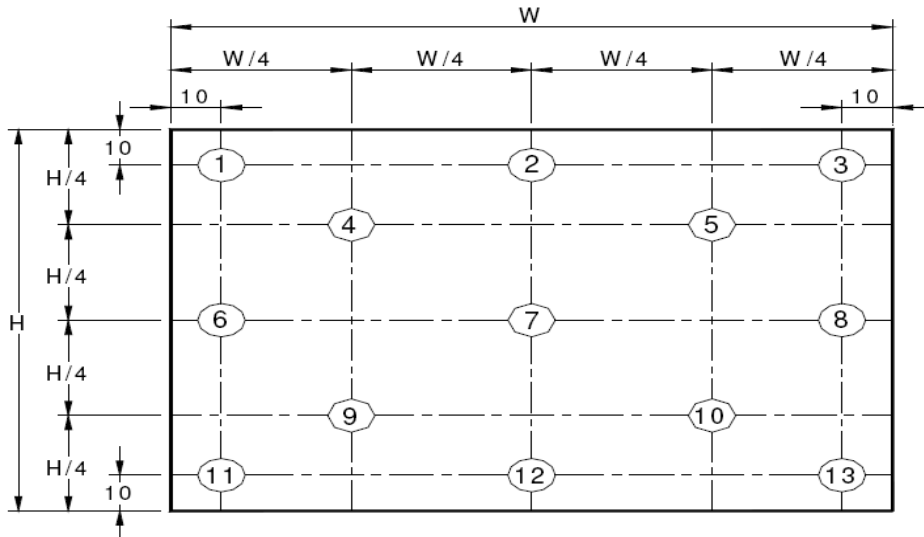
Optical characteristics measurement setup

Figure 2. White Luminance and Uniformity Measurement Locations (5 points)



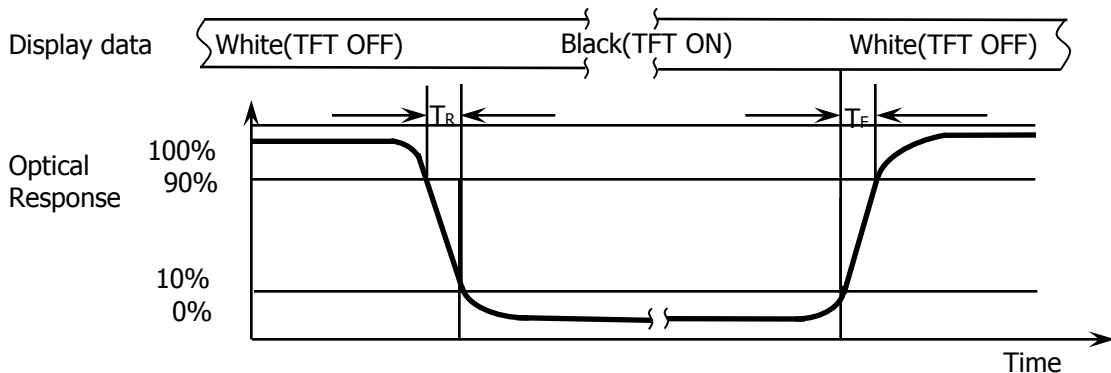
Center Luminance of white is defined as luminance values of center 5 points across the LCD surface. Luminance shall be measured with all pixels in the view field set first to white. This measurement shall be taken at the locations shown in FIGURE 2 for a total of the measurements per display.

Figure 3. Uniformity Measurement Locations (13 points)



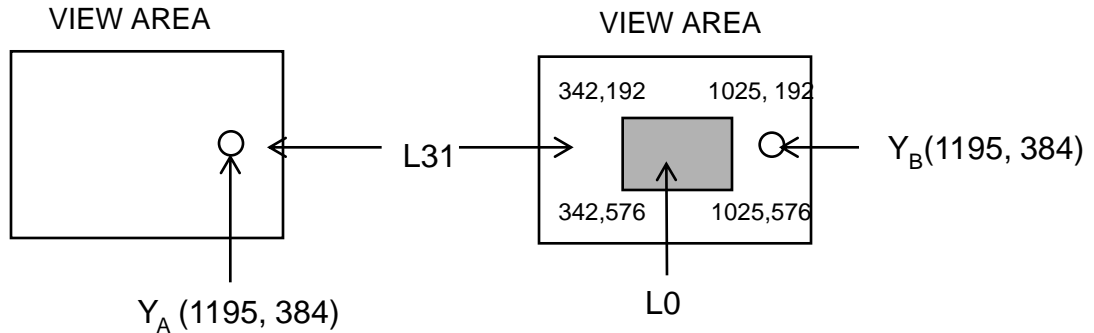
The White luminance uniformity on LCD surface is then expressed as : $\Delta Y5 = \text{Minimum Luminance of five points} / \text{Maximum Luminance of five points}$ (see FIGURE 2) , $\Delta Y13 = \text{Minimum Luminance of 13 points} / \text{Maximum Luminance of 13 points}$ (see FIGURE 3).

Figure 4. Response Time Testing



The electro-optical response time measurements shall be made as shown in FIGURE 4 by switching the “data” input signal ON and OFF. The times needed for the luminance to change from 10% to 90% is T_d and 90% to 10% is T_r .

Figure 5. Cross Modulation Test Description



$$\text{Cross-Talk (\%)} = \left| \frac{Y_B - Y_A}{Y_A} \right| \times 100$$

Where:

Y_A = Initial luminance of measured area (cd/m²)

Y_B = Subsequent luminance of measured area (cd/m²)

The location measured will be exactly the same in both patterns

Cross-Talk of one area of the LCD surface by another shall be measured by comparing the luminance (Y_A) of a 25mm diameter area, with all display pixels set to a gray level, to the luminance (Y_B) of that same area when any adjacent area is driven dark (Refer to FIGURE 5).

5.0 INTERFACE CONNECTION.

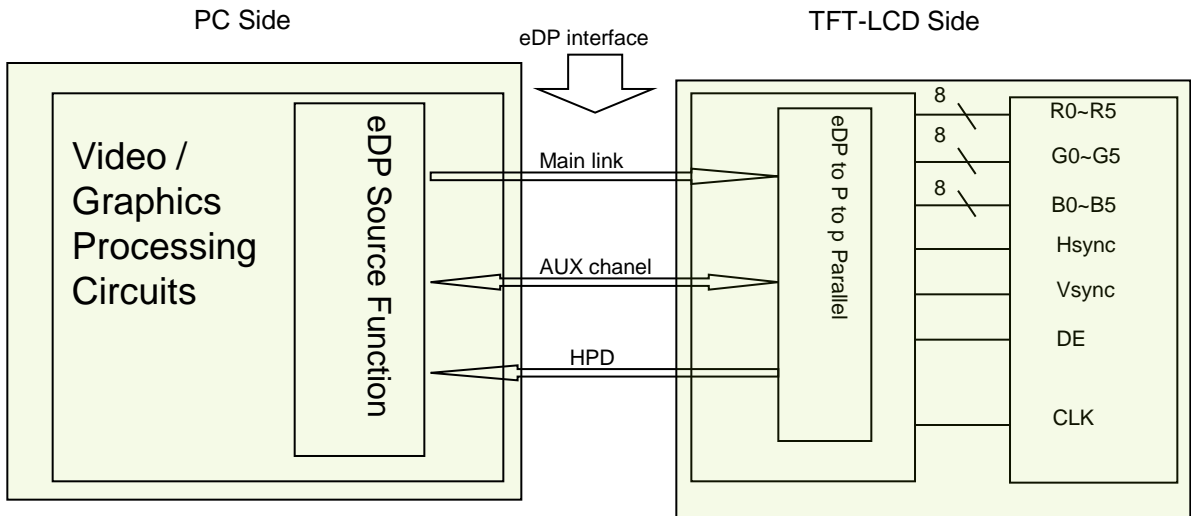
5.1 Electrical Interface Connection

The electronics interface connector is STM. The mating connector part number is STM MSAK24025P40. The connector interface pin assignments are listed in Table 6.

<Table 6. Pin Assignments for the Interface Connector>

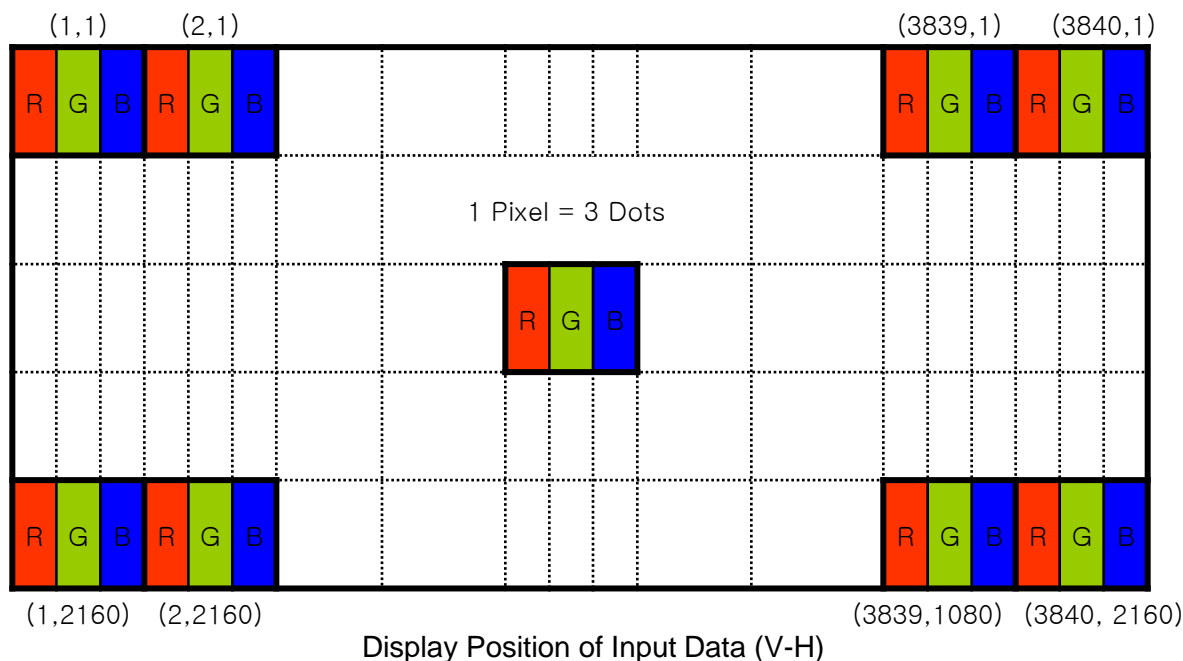
Terminal PIN No.	Symbol	Functions Description
1	G-Sync	G-Sync
2	H_GND	eDP lane Up to 5.4G
3	Lane3_N	
4	Lane3_P	
5	H_GND	
6	Lane2_N	
7	Lane2_P	
8	H_GND	
9	Lane1_1N	
10	Lane1_1P	
11	H_GND	
12	Lane1_0N	
13	Lane1_0P	
14	H_GND	
15	AUX_CH_P	
16	AUX_CH_N	
17	H_GND	
18	LCD_VCC	
19	LCD_VCC	BIST (IN Port)
20	LCD_VCC	
21	LCD_VCC	Logic GND (Connect to GND in Module)
22	LCD_Self_Test(BIST)	
23	LCD_GND	
24	LCD_GND	
25	LCD_GND	
26	LCD_GND	HPD (OUT Port 2.5V/3.3V)
27	HPD	
28	BL_GND	BLU GND (Connect to GND in Module)
29	BL_GND	
30	BL_GND	
31	BL_GND	
32	BL_ENABLE	IN Port
33	BL_PWM	IN Port
34	H_sync	H_sync (OUT Port)
35	NC	NC
36	BL_PWR	BLU Power (5~21V)
37	BL_PWR	
38	BL_PWR	
39	BL_PWR	
40	Color Engine	IN Port

5-2. eDP Interface



5.3 Data Input Format

<Table 6. Pin Assignments for the Interface Connector>



5.4 Back-light & LCM Interface Connection

Interface Connector: MSK24022P12

<Table 7. Pin Assignments for the BLU & LCM Connector>

Pin No.	Symbol	Description	Pin No.	Symbol	Description
1	Vout	LED anode connection	7	LED2	LED cathode connection
2	Vout	LED anode connection	8	LED3	LED cathode connection
3	Vout	LED anode connection	9	LED4	LED cathode connection
4	NC	No Connection	10	LED5	LED cathode connection
5	NC	No Connection	11	LED6	LED cathode connection
6	LED1	LED cathode connection	12	LED7	LED cathode connection

6.0 SIGNAL TIMING SPECIFICATION

6.1 The NV156QUM-N32 is operated by the DE only.

Item		Symbols	Min	Typ	Max	Unit
Clock	Frequency	1/Tc	355.52	533.25	586.6	MHz
	High Time	Tch	-	4/7Tc	-	Tc
	Low Time	Tcl	-	3/7Tc	-	Tc
Frame Period		Tv	3900	4000	4050	lines
			-	60	-	Hz
			25	16.67	15.15	ms
Vertical Display Period		Tvd	-	2160	-	lines
One line Scanning Period		Th	2180	2222	2240	clocks
Horizontal Display Period		Thd	-	3840	-	clocks

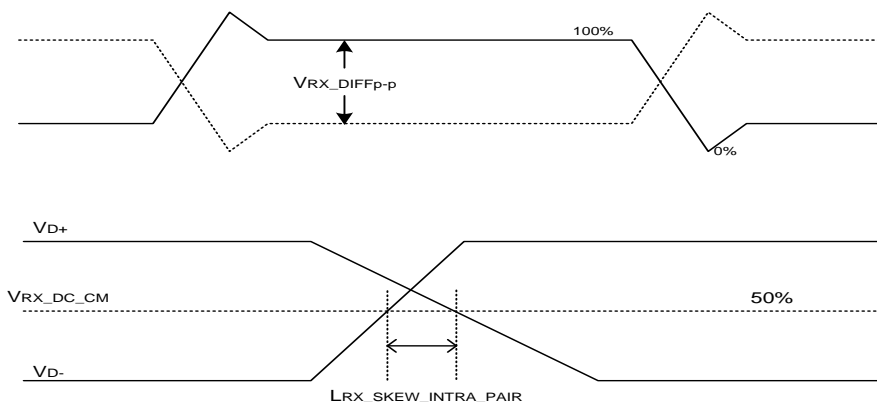
Note : This module can support low frame refresh rate 50Hz&40Hz.

6.2 eDP Rx Interface Timing Parameter

The specification of the eDP Rx interface timing parameter is shown in Table 8.

<Table 8. eDP Rx Interface Timing Specification>

Item	Symbol	Min	Typ	Max	Unit	Remark
Spread spectrum clock	SSC		0.5		%	
Differential peak-to-peak input voltage at package pins	VRX-DIFFp-p	100	0	1320	mV	
Rx input DC common mode voltage	VRX_DC_CM	-	GND	-	V	
Differential termination resistance	RRX-DIFF	80	-	100	Ω	
Single-ended termination resistance	RRX-SE	40	-	60	Ω	
Rx short circuit current limit	IRX_SHORT	-	-	50	mA	
Intra-pair skew at Rx package pins (HBR) RX intra-pair skew tolerance at HBR	LRX_SKEW_INTRA_PAIR HBR2	-	-	50	ps	

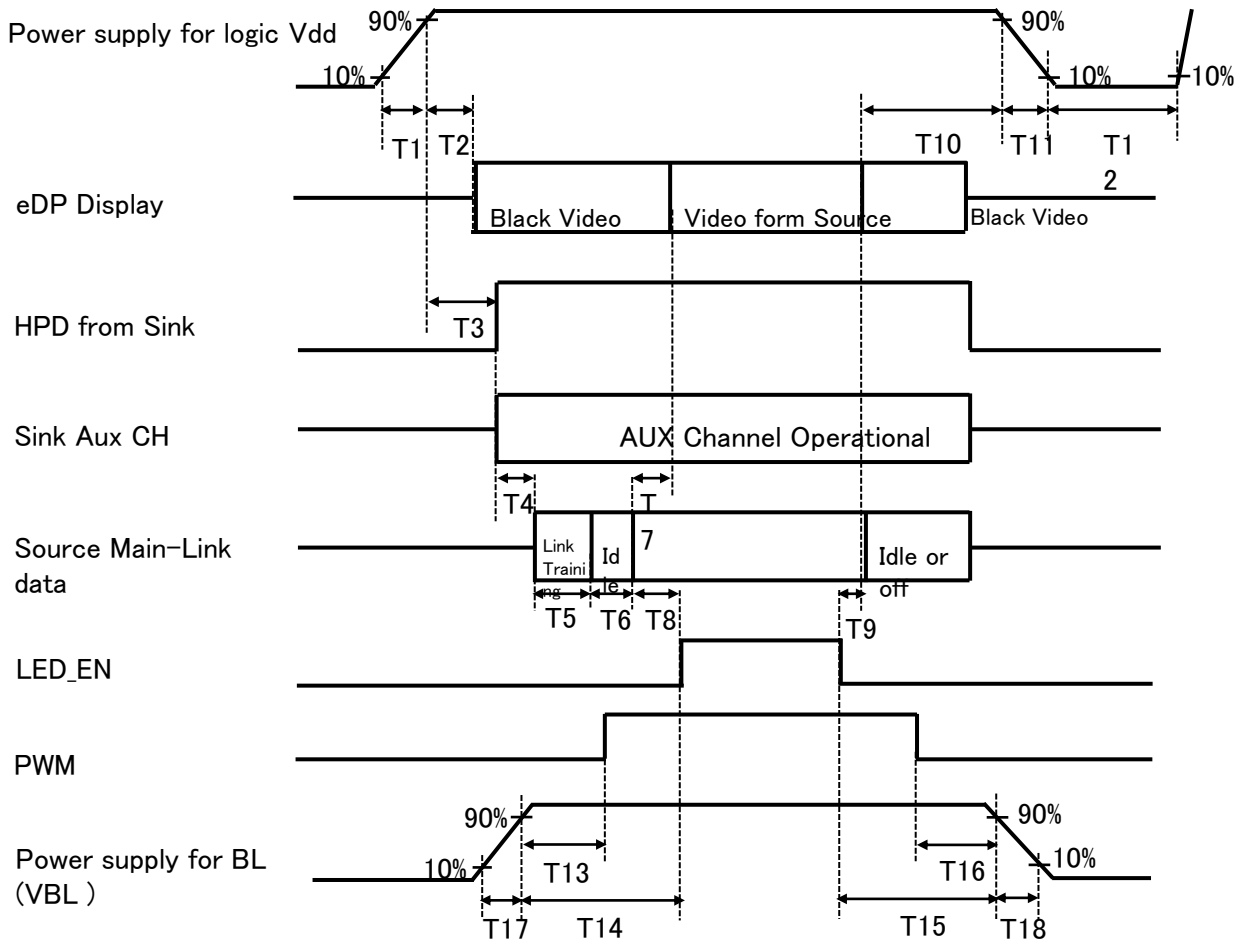


7.0 INPUT SIGNALS, BASIC DISPLAY COLORS & GRAY SCALE OF COLORS

Color & Gray Scale		Input Data Signal																							
		Red Data								Green Data								Blue Data							
		R7	R6	R5	R4	R3	R2	R1	R0	G7	G6	G5	G4	G3	G2	G1	G0	B7	B6	B5	B4	B3	B2	B1	B0
Basic Colors	Black	0	0	0	0	0	0	0	0	0	0	0	0	0	0	0	0	0	0	0	0	0	0	0	
	Blue	0	0	0	0	0	0	0	0	0	0	0	0	0	0	0	0	1	1	1	1	1	1	1	1
	Green	0	0	0	0	0	0	0	0	1	1	1	1	1	1	1	1	0	0	0	0	0	0	0	0
	Cyan	0	0	0	0	0	0	0	0	1	1	1	1	1	1	1	1	1	1	1	1	1	1	1	1
	Red	1	1	1	1	1	1	1	1	0	0	0	0	0	0	0	0	0	0	0	0	0	0	0	0
	Magenta	1	1	1	1	1	1	1	1	0	0	0	0	0	0	0	0	1	1	1	1	1	1	1	1
	Yellow	1	1	1	1	1	1	1	1	1	1	1	1	1	1	1	1	0	0	0	0	0	0	0	0
	White	1	1	1	1	1	1	1	1	1	1	1	1	1	1	1	1	1	1	1	1	1	1	1	1
Gray Scale of Red	Black	0	0	0	0	0	0	0	0	0	0	0	0	0	0	0	0	0	0	0	0	0	0	0	
	△	0	0	0	0	0	0	1	0	0	0	0	0	0	0	0	0	0	0	0	0	0	0	0	
	Darker	0	0	0	0	0	0	1	0	0	0	0	0	0	0	0	0	0	0	0	0	0	0	0	
	△	↑								↑								↑							
	▽	↓								↓								↓							
	Brighter	1	1	1	1	1	1	0	1	0	0	0	0	0	0	0	0	0	0	0	0	0	0	0	0
	▽	1	1	1	1	1	1	0	0	0	0	0	0	0	0	0	0	0	0	0	0	0	0	0	0
	Red	1	1	1	1	1	1	1	1	0	0	0	0	0	0	0	0	0	0	0	0	0	0	0	0
Gray Scale of Green	Black	0	0	0	0	0	0	0	0	0	0	0	0	0	0	0	0	0	0	0	0	0	0	0	
	△	0	0	0	0	0	0	0	0	0	0	0	0	0	0	0	1	0	0	0	0	0	0	0	
	Darker	0	0	0	0	0	0	0	0	0	0	0	0	0	0	1	0	0	0	0	0	0	0	0	
	△	↑								↑								↑							
	▽	↓								↓								↓							
	Brighter	0	0	0	0	0	0	0	0	1	1	1	1	1	1	0	1	0	0	0	0	0	0	0	0
	▽	0	0	0	0	0	0	0	0	1	1	1	1	1	1	1	0	0	0	0	0	0	0	0	0
	Green	0	0	0	0	0	0	0	0	1	1	1	1	1	1	1	1	0	0	0	0	0	0	0	0
Gray Scale of Blue	Black	0	0	0	0	0	0	0	0	0	0	0	0	0	0	0	0	0	0	0	0	0	0	0	
	△	0	0	0	0	0	0	0	0	0	0	0	0	0	0	0	0	0	0	0	0	0	0	1	
	Darker	0	0	0	0	0	0	0	0	0	0	0	0	0	0	0	0	0	0	0	0	0	0	1	
	△	↑								↑								↑							
	▽	↓								↓								↓							
	Brighter	0	0	0	0	0	0	0	0	0	0	0	0	0	0	0	0	1	1	1	1	1	1	0	1
	▽	0	0	0	0	0	0	0	0	0	0	0	0	0	0	0	0	1	1	1	1	1	1	1	0
	Blue	0	0	0	0	0	0	0	0	0	0	0	0	0	0	0	0	1	1	1	1	1	1	1	1
Gray Scale of White	Black	0	0	0	0	0	0	0	0	0	0	0	0	0	0	0	0	0	0	0	0	0	0	0	
	△	0	0	0	0	0	0	1	0	0	0	0	0	0	0	0	1	0	0	0	0	0	0	1	
	Darker	0	0	0	0	0	0	1	0	0	0	0	0	0	1	0	0	0	0	0	0	0	0	1	
	△	↑								↑								↑							
	▽	↓								↓								↓							
	Brighter	1	1	1	1	1	1	0	1	1	1	1	1	1	1	0	1	1	1	1	1	1	1	0	1
	▽	1	1	1	1	1	1	0	1	1	1	1	1	1	1	1	0	1	1	1	1	1	1	1	0
	White	1	1	1	1	1	1	1	1	1	1	1	1	1	1	1	1	1	1	1	1	1	1	1	1

8.0 POWER SEQUENCE

To prevent a latch-up or DC operation of the LCD module, the power on/off sequence shall be as shown in below



- 0.5ms ≤ T1 ≤ 10 ms
- 0ms ≤ T2 ≤ 200 ms
- 0ms ≤ T3 ≤ 200 ms
- 0ms ≤ T13
- 0ms ≤ T14
- 0ms ≤ T17

- 0ms ≤ T7 ≤ 50ms
- 0ms ≤ T10 ≤ 500 ms
- 0 ms ≤ T11 ≤ 10 ms
- 150ms ≤ T12
- 0ms ≤ T15
- 0ms ≤ T16
- 0ms ≤ T18

Notes:

1. When the power supply VDD is 0V, keep the level of input signals on the low or keep high impedance.
2. Do not keep the interface signal high impedance when power is on. Back Light must be turn on after power for logic and interface signal are valid.

9.0 Connector Description

Physical interface is described as for the connector on LCM.

These connectors are capable of accommodating the following signals and will be following components.

9.1 TFT LCD Module

Connector Name /Description	For Signal Connector
Manufacturer	STM
Type/ Part Number	MSK24025P40
Mating housing/ Part Number	I-PEX 20455-040E or Compatible

10.0 MECHANICAL CHARACTERISTICS

10.1 Dimensional Requirements

FIGURE 6 shows mechanical outlines for the model NV156QUM-N32
Other parameters are shown in Table 9.

<Table 9. Dimensional Parameters>

Parameter	Specification	Unit
Active Area	345.6 (H) × 194.4 (V)	Mm
Number of pixels	3840 (H) X 2160 (V) (1 pixel = R + G + B dots)	-
Pixel pitch	0.09(H) × 0.09 (V)	mm
Pixel arrangement	RGB Vertical stripe	
Display colors	16.7M	
Display mode	Normally Black	
Dimensional outline	351.9 (H) × 206.4(V) × 3.2 (D:max)	mm
Weight	365 (max)	g

10.2 Mounting

See FIGURE 6.

10.3 Glare and Polarizer Hardness.

The surface of the LCD has HC coating to reduce scratching.

10.4 Light Leakage

There shall not be visible light from the back-lighting system around the edges of the screen as seen from a distance 50cm from the screen with an overhead light level of 350lux.

11.0 RELIABILITY TEST

The Reliability test items and its conditions are shown in below.

<Table 10. Reliability test>

No	Test Items	Conditions
1	High temperature storage test	Ta = 60 °C , 240 hrs
2	Low temperature storage test	Ta = -20 °C , 240 hrs
3	High temperature & high humidity operation test	Ta = 50 °C , 80%RH, 240 hrs
4	High temperature operation test	Ta = 50 °C , 240 hrs
5	Low temperature operation test	Ta = 0 °C , 240 hrs
6	Thermal shock	Ta = -20 °C ↔ 60 °C (0.5 hr), 100 cycle
7	Vibration test (non-operating)	1.5G, 10~500Hz,Half Sine X,Y,Z / Sweep rate : 1 hour
8	Shock test (non-operating)	220G, Half Sine Wave 2msec ± X, ± Y, ± Z Once for each direction
9	Electro-static discharge test (non-operating)	Air : 150 pF, 330Ω, 15 KV Contact : 150 pF, 330Ω, 8 KV

12.0 HANDLING & CAUTIONS

(1) Cautions when taking out the module

- Pick the pouch only, when taking out module from a shipping package.

(2) Cautions for handling the module

- As the electrostatic discharges may break the LCD module, handle the LCD module with care. Peel a protection sheet off from the LCD panel surface as slowly as possible.
- As the LCD panel and back - light element are made from fragile glass material, impulse and pressure to the LCD module should be avoided.
- As the surface of the polarizer is very soft and easily scratched, use a soft dry cloth without chemicals for cleaning.
- Do not pull the interface connector in or out while the LCD module is operating.
- Put the module display side down on a flat horizontal plane.
- Handle connectors and cables with care.

(3) Cautions for the operation

- When the module is operating, do not lose CLK, ENAB signals. If any one of these signals is lost, the LCD panel would be damaged.
- Obey the supply voltage sequence. If wrong sequence is applied, the module would be damaged.

(4) Cautions for the atmosphere

- Dew drop atmosphere should be avoided.
- Do not store and/or operate the LCD module in a high temperature and/or humidity atmosphere. Storage in an electro-conductive polymer packing pouch and under relatively low temperature atmosphere is recommended.

(5) Cautions for the module characteristics

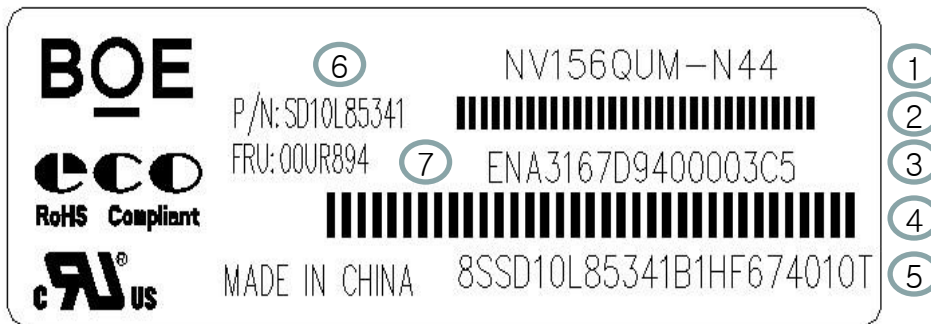
- Do not apply fixed pattern data signal to the LCD module at product aging.
- Applying fixed pattern for a long time may cause image sticking.

(6) Other cautions

- Do not disassemble and/or re-assemble LCD module.
- Do not re-adjust variable resistor or switch etc.
- When returning the module for repair or etc., Please pack the module not to be broken. We recommend to use the original shipping packages.

13.0 LABEL

(1) Product label



Remark:

标签尺寸: 80mm × 25mm, 厚度0.08mm

贴覆PCB 左下角

1. FG-CODE: NV156QUM-N44
2. MDL ID 条形码
3. MDL ID
4. 8S 码对应条形码
5. 8S码
6. P/N 码: SD10L85341
7. FRU 码: 00UR894

(2) Box label

Label Size: 109.5 mm (L) × 55 mm (W)

Contents

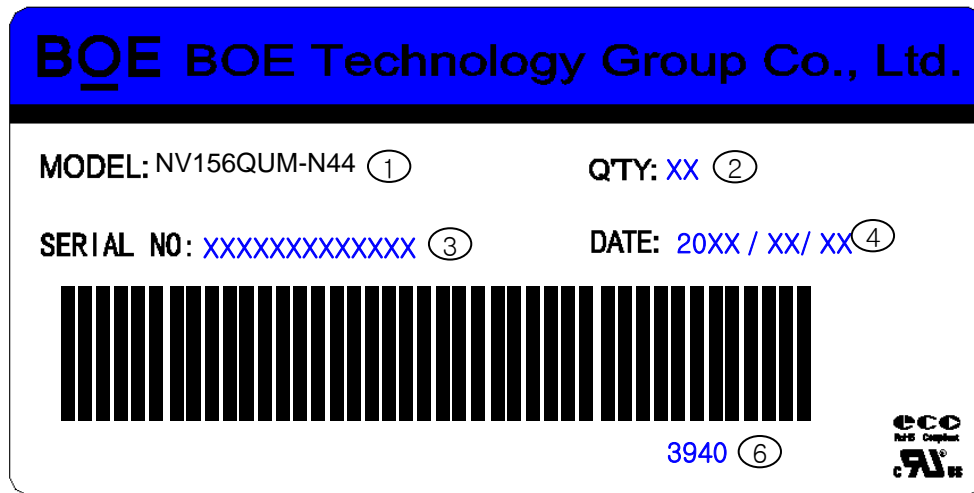
Model: NV156QUM-N44

Q`ty: Module Q`ty in one box

Serial No.: Box Serial No. See next figure for detail description.

Date: Packing Date

Internal use of Product



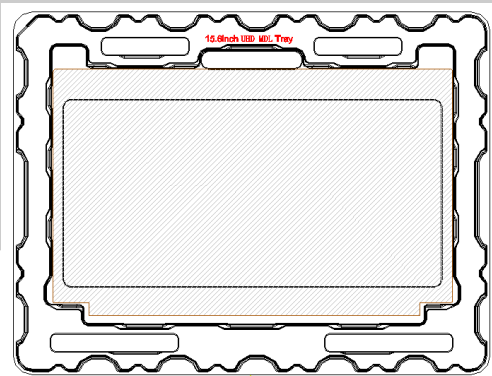
1. FG-CODE
2. Box 产品数量
3. Box ID, 编码规则如下
4. Box Packing 日期
5. FG-CODE 后四位

SERIA NO	1	2	3	4	5	6	7	8	9	10	11	12	13
code	X	X	X	X	X	X	X	X	X	X	X	X	X
Description	GBN		Grade	Line	Year		Month	Rev	Serial No.				

14.0 PACKING INFORMATION

14.1 Packing order

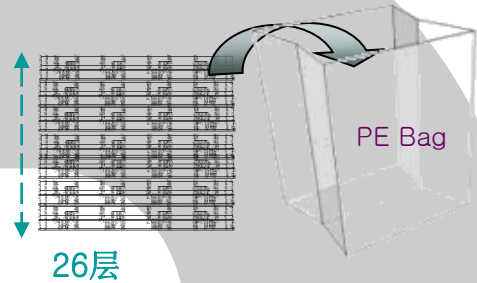
- 将1pcs MDL 水平放入Tray



- 将26pcs PET Tray 平放入PE Bag

顶部1pcs 空Tray

- Tray 不旋转码放



- 每个Pallet上放3层Box1层4箱,共计12ea Box

- Pallet外进行缠膜包装

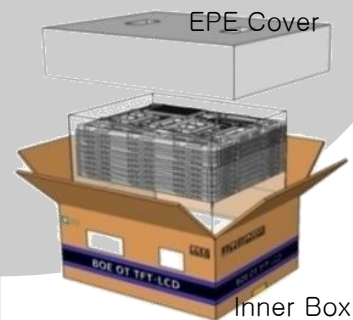
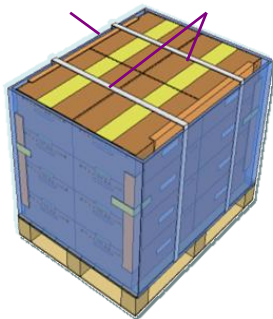
- 容量: 300pcs/Pallet

- 将PET Tray堆码后平放入Inner Box

上下放置EPE Cover

- 容量: 25pcs/Inner Box

纸护角 打包带

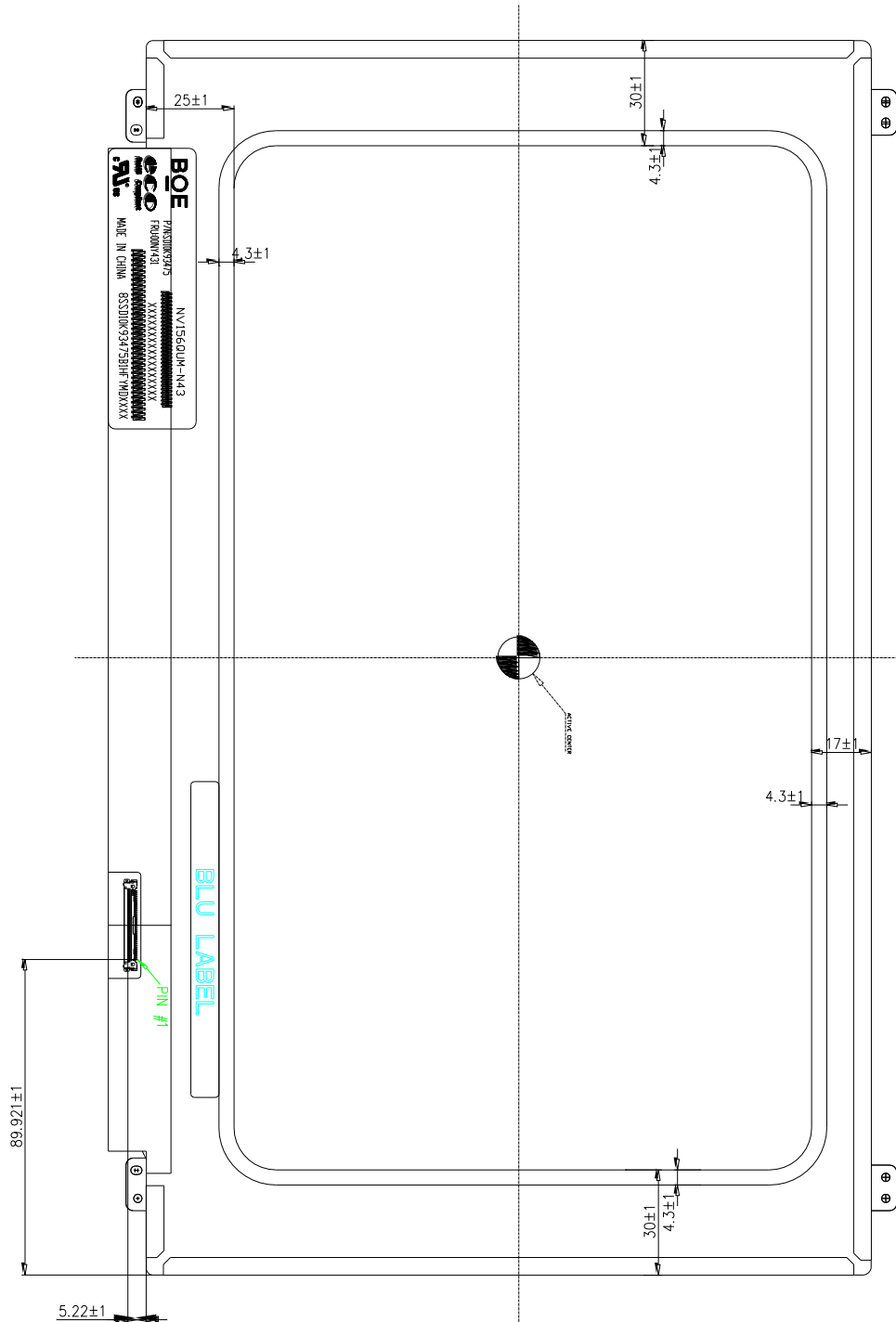


step 3

14.2 Notes

- Box Dimension: 500mm(W) x 400mm(D) x 300mm(H)
- Package Quantity in one Box: 25pcs
- Total Weight: TBD kg

Figure 7. TFT-LCD Module Outline Dimensions (Rear view)





PRODUCT GROUP

REV

ISSUE DATE

TFT- LCD PRODUCT

P0

2016.05.06

SPEC. NUMBER

SPEC. TITLE

NV156QUM-N44 Preliminary Product Specification

PAGE

31 OF 34

16.0 EDID Table

TBD