

# NW25H2000X

# Pressure sensor

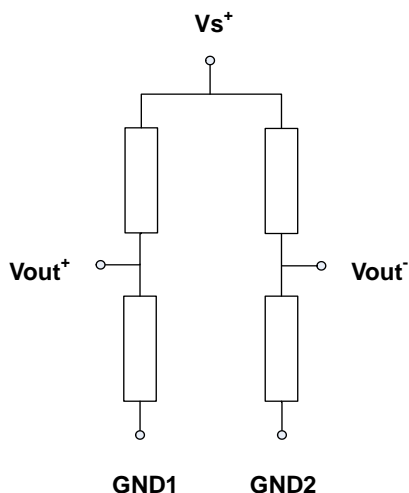
## FEATURES

- Sensor size: 2.5 x 2.5 mm<sup>2</sup>
- Temperature Range: -40°C~250°C
- Range: 0~2000 kpa

## APPLICATION

- Industrial control
- For absolute pressure sensor system
- For differential pressure sensor system

## ELECTRICAL CONNECTIONS



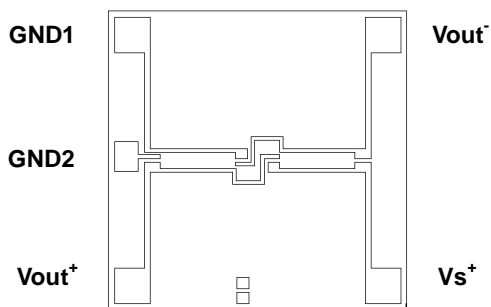
$Vs^+$ : Supply voltage of Wheatstone bridge

$Vout^+$ : Positive output

$Vout^-$ : Negative output

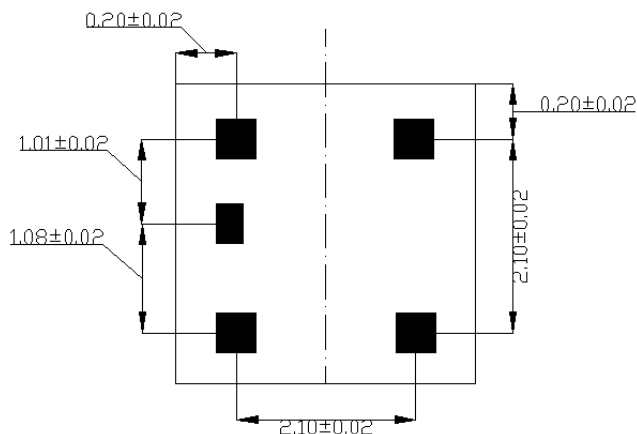
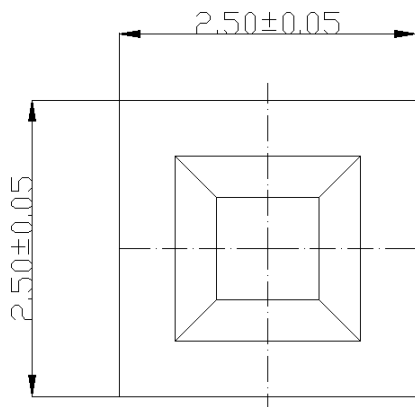
$GND1$  and  $GND2$ : Ground

## PAD OUT



As the sensing elements are diffused resistances, the voltage applied on the ground pads ( $GND1$  and  $GND2$ ) has to be lower than the voltage applied on supply voltage pad ( $Vs^+$ ).  
(Positive pressure)

## LAYOUT (Unit: mm)



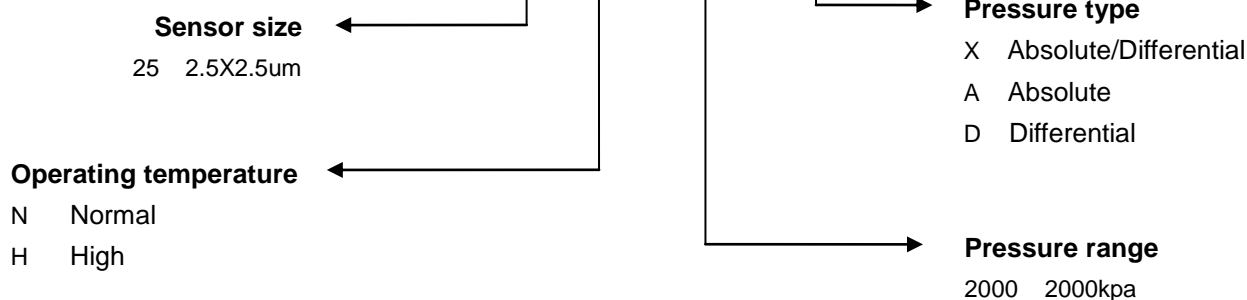
## SPECIFICATIONS

(Reference conditions: Supply Voltage VS+=5Vdc; Ambient Temperature Ta=30°C)

Parameter		Min	Typ	Max	Unit
Operating Pressure Range		0	-	2000	kpa
Operating Temperature Range		-40	-	250	°C
Bridge Resistance		4.5	5	5.5	kΩ
Full-scale span(FS)		40	50	60	mV
Zero Pressure Offset		-20	0	+20	mV
Linearity		0.1	0.2	0.3	%FS
Temperature Coefficient	Resistance	500	700	1000	ppm/°C
	Span	-1000	-1500	-2000	ppm/°C
	Offset	-60	-	60	μV/°C
Pressure Hysteresis		-	-	0.2	%FS
Repeatability		-	-	0.2	%FS
Temperature Hysteresis		-	-	0.2	%FS
Supply voltage		-	5	10	V
Storage temperature		-40	-	250	°C
Pressure overload				3X	

## ORDERING INFORMATION

# NW 25 H 2000 X



## FACTORY CONTACTS

Nano MEMS Inc.  
No. 5 Minshan Rd,  
Wuxi City, Jiangsu Province

Tel.: +86-510-85225558  
Fax: +86-510-85223711  
e-mail: [sales@n-mems.com](mailto:sales@n-mems.com)  
Website: [www.n-mems.com](http://www.n-mems.com)