

NW5 SERIES

Bi-polar, 5mm Height

◆FEATURES

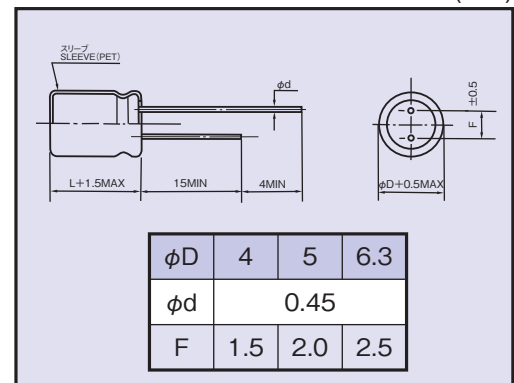
•RoHS compliance.



◆SPECIFICATIONS

Items	Characteristics	
Category Temperature Range	-40~+85°C	
Rated Voltage Range	6.3~50Vdc	
Capacitance Tolerance	±20% (20°C, 120Hz)	
Leakage Current(MAX)	$I=0.05CV$ or $10\mu A$ whichever is greater. (After 5 minutes application of rated voltage) I =Leakage Current(μA) C =Capacitance(μF) V =Rated Voltage(Vdc)	
(tan δ) Dissipation Factor(MAX)	Rated Voltage (Vdc)	6.3 10 16 25 35 50 (20°C, 120Hz)
	tan δ	0.26 0.22 0.20 0.20 0.20 0.20
Endurance	After applying rated voltage with rated ripple current for 1000hrs at 85°C, (The polarity shall be reversed every 500hrs.), the capacitors shall meet the following requirements.	
	Capacitance Change	Within ±25% of the initial value.
	Dissipation Factor	Not more than 200% of the specified value.
	Leakage Current	Not more than the specified value.
Low Temperature Stability Impedance Ratio(MAX)	Rated Voltage (Vdc)	6.3 10 16 25 35 50 (120Hz)
	Z(-25°C)/Z(20°C)	6 4 4 3 2 2
	Z(-40°C)/Z(20°C)	12 10 8 6 4 4

◆DIMENSIONS (mm)



◆MULTIPLIER FOR RIPPLE CURRENT

Frequency coefficient

Frequency (Hz)	60(50)	120	500	1k	10k≤
0.33~1 μF	0.50	1.00	1.20	1.30	1.50
2.2~4.7 μF	0.65	1.00	1.20	1.30	1.50
10~47 μF	0.80	1.00	1.20	1.30	1.50

◆OPTION

	Code
PET Sleeve	EFC

◆STANDARD SIZE

Size $\phi D \times L$ (mm), Rated Ripple Current (mA r.m.s./85°C, 120Hz)

Vdc	Cap (μF)	Size ($\phi D \times L$)	Rated Ripple Current
6.3	10	4×5	14
	22	5×5	25
	33	6.3×5	35
	47	6.3×5	40
10	10	5×5	18
	22	6.3×5	30
	33	6.3×5	37
16	4.7	4×5	12
	10	5×5	20
	22	6.3×5	32

Vdc	Cap (μF)	Size ($\phi D \times L$)	Rated Ripple Current
25	3.3	5×5	10
	4.7	5×5	13
	10	6.3×5	21
35	2.2	4×5	9
	3.3	5×5	11
	4.7	5×5	14
	10	6.3×5	24

Vdc	Cap (μF)	Size ($\phi D \times L$)	Rated Ripple Current
50	0.33	4×5	2
	0.47	4×5	3
	1	4×5	5
	2.2	5×5	10

◆PART NUMBER

□□□	NW5	□□□□□	M	□□□	□□	D×L
Rated Voltage	Series	Rated Capacitance	Capacitance Tolerance	Option	Lead Forming	Case Size